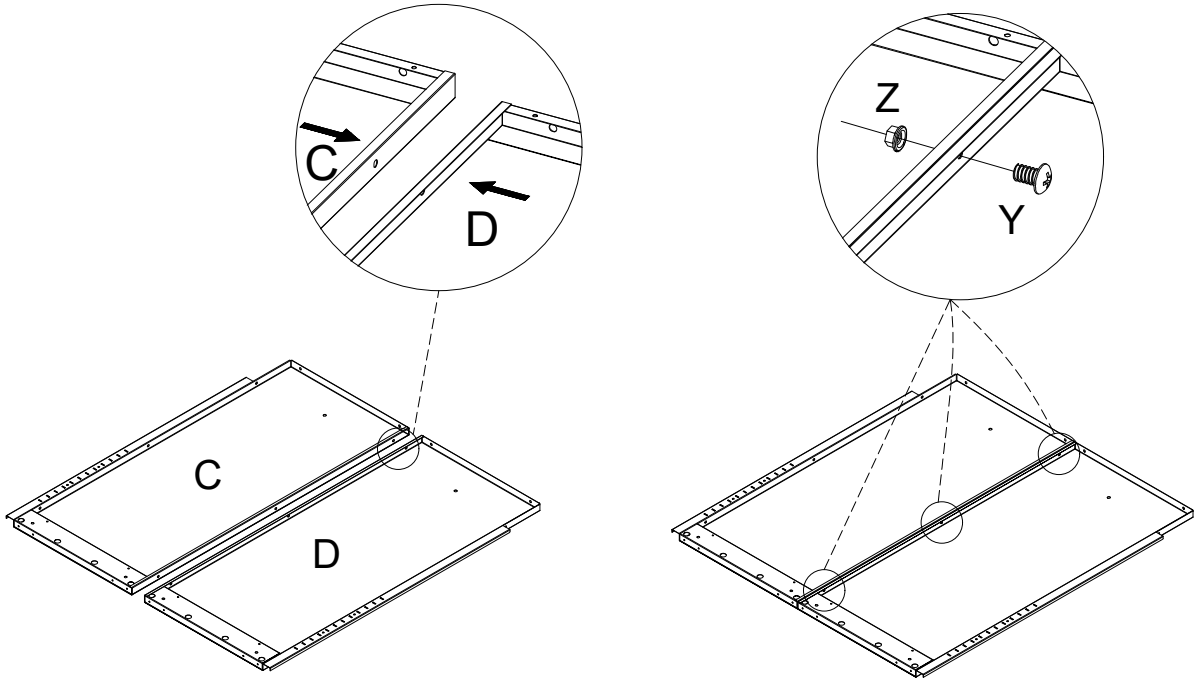


step1

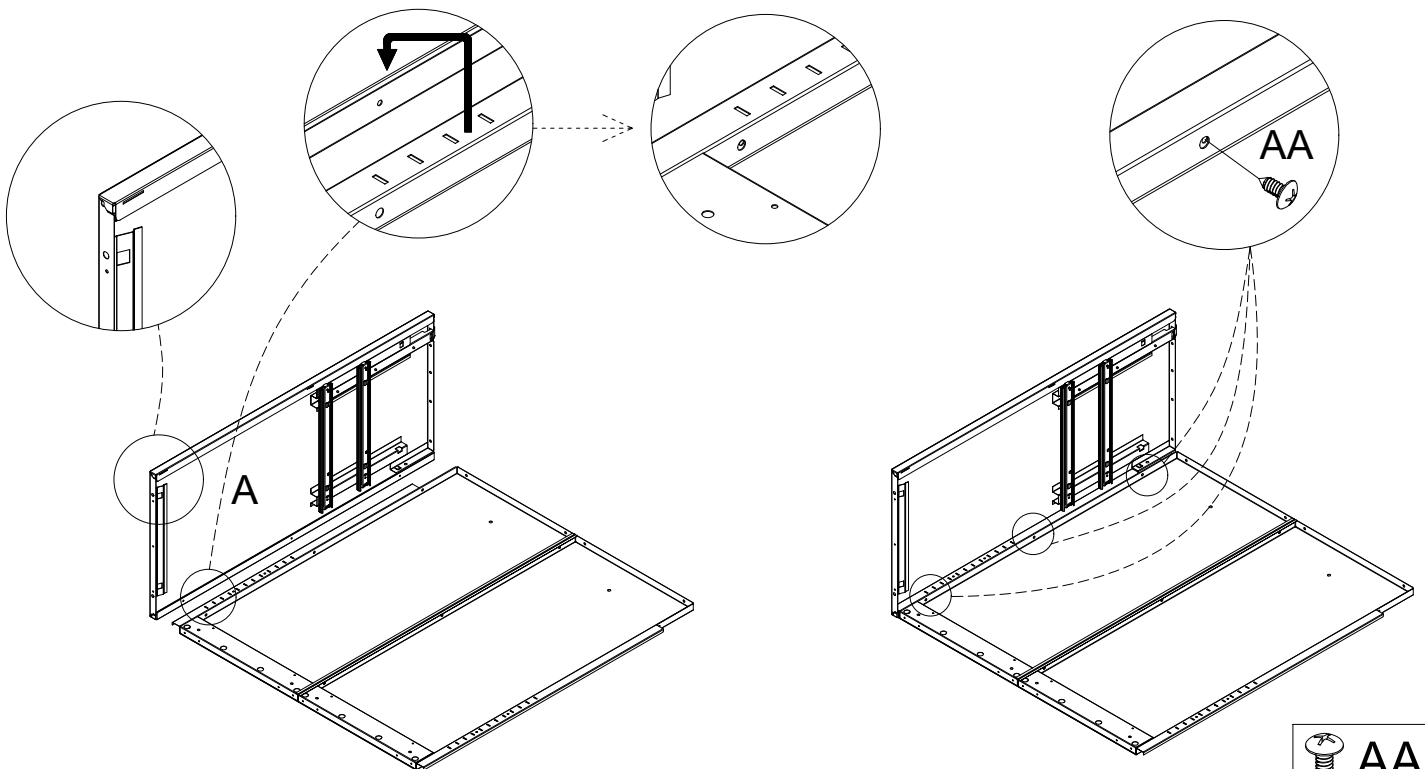
Put the two rear walls together and put three bolts and nuts to hold them in place.



 Z×3  Y×3

step2

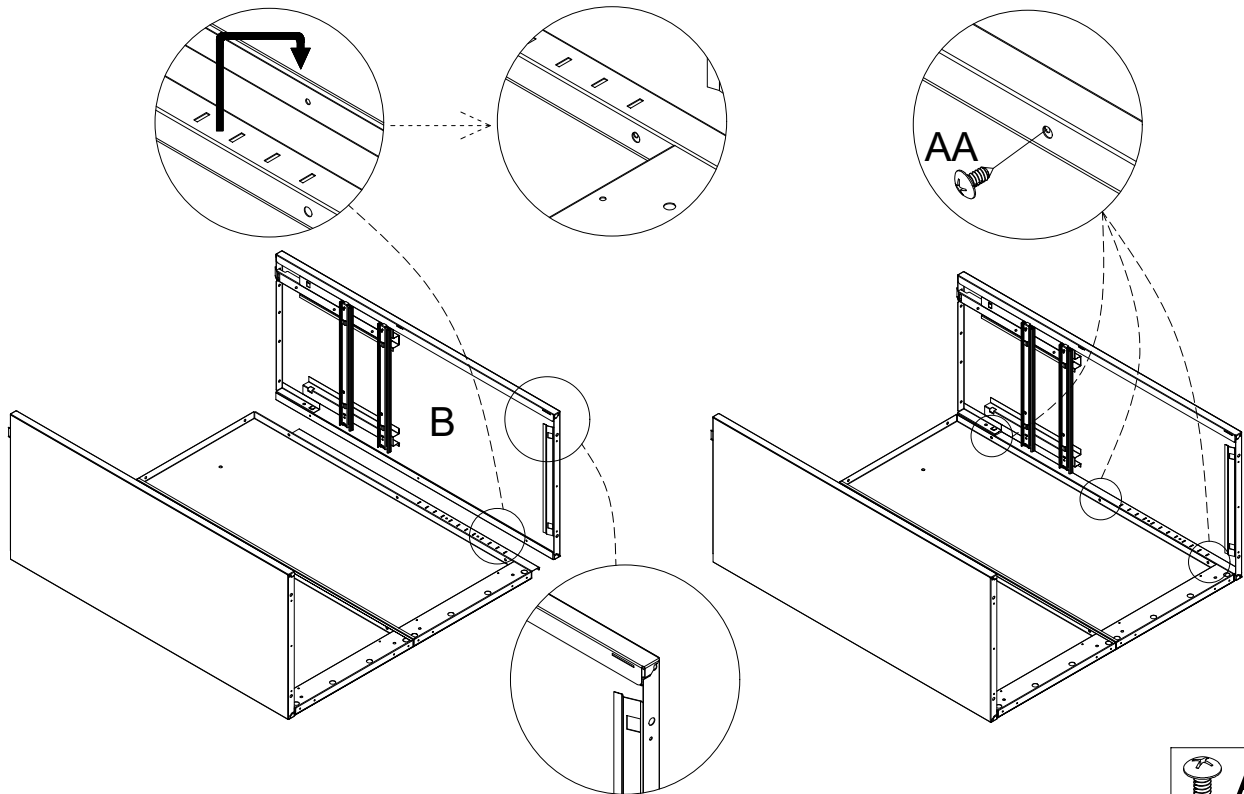
Simply overlap each sidewall in the channel of the rear wall and put three screws on each side to hold them in place. Note that Part A is on the left side and Part B is on the right side. If they are misplaced, it will affect the assembly.



 AA×3

step3

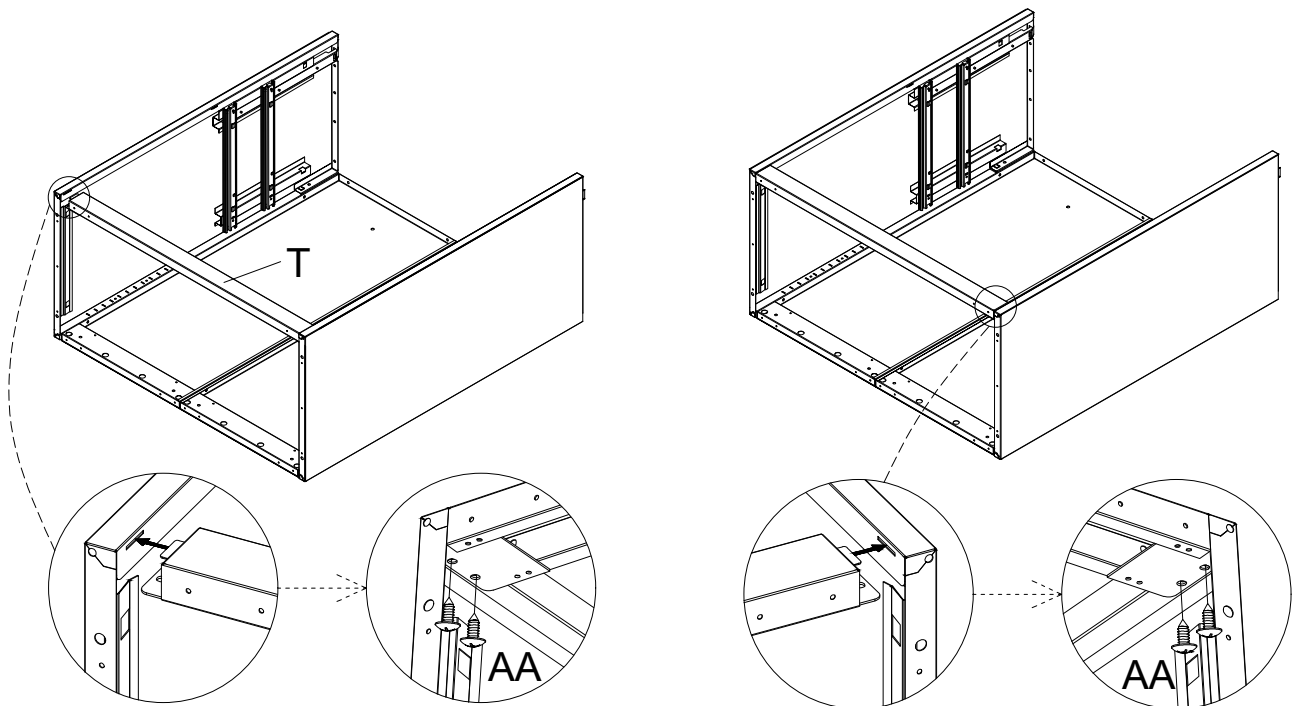
Simply overlap each sidewall in the channel of the rear wall and put three screws on each side to hold them in place. Note that Part A is on the left side and Part B is on the right side. If they are misplaced, it will affect the assembly.



 AA×3

step4

Snap the buckle on either side of Part T into the hole in both side panels and then put four screws AA from inside to hold it into place.

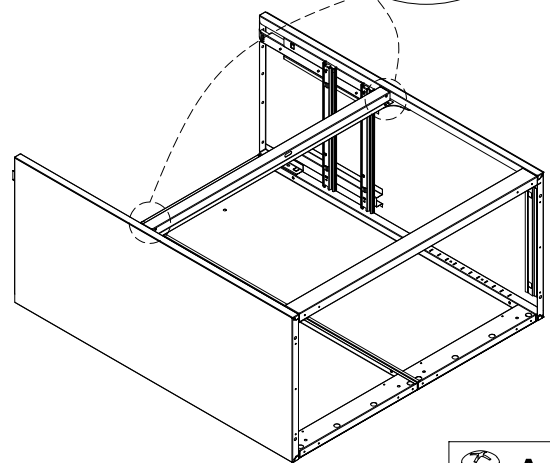
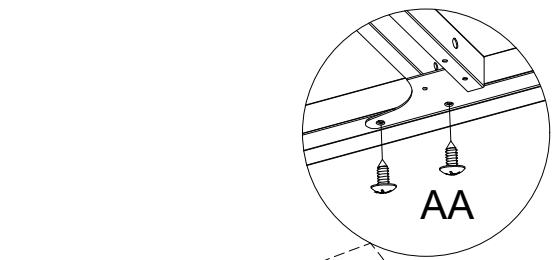
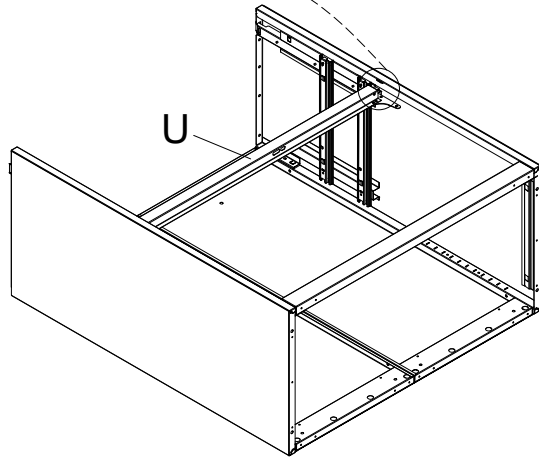
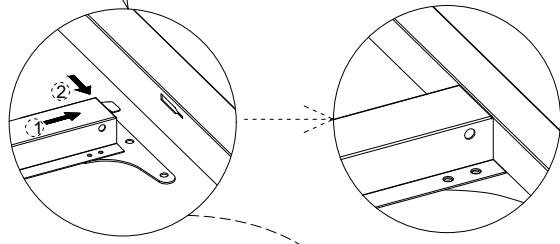


 AA×4

step5

Snap the buckle on either side of Part U into the hole in both side panels and then put four screws AA from inside to hold it into place.

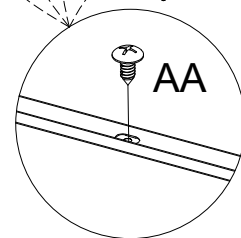
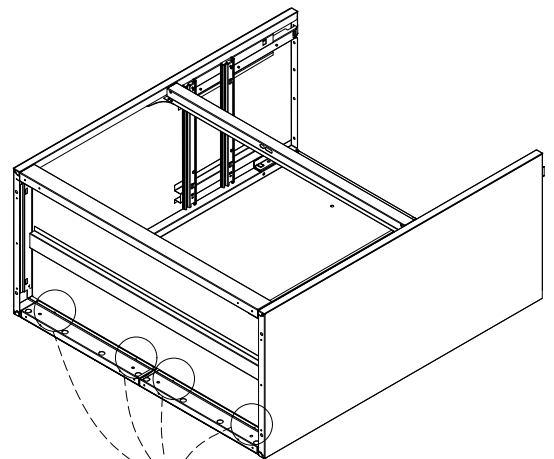
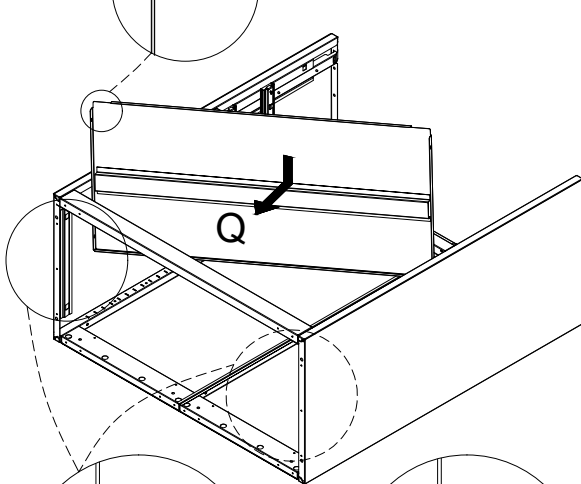
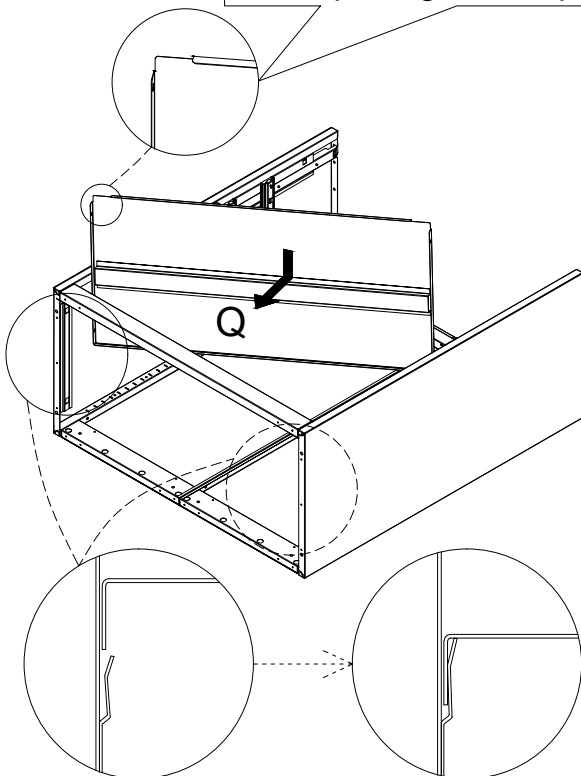
Take care to distinguish the top and bottom when installing Part U.



 AA×4

step6

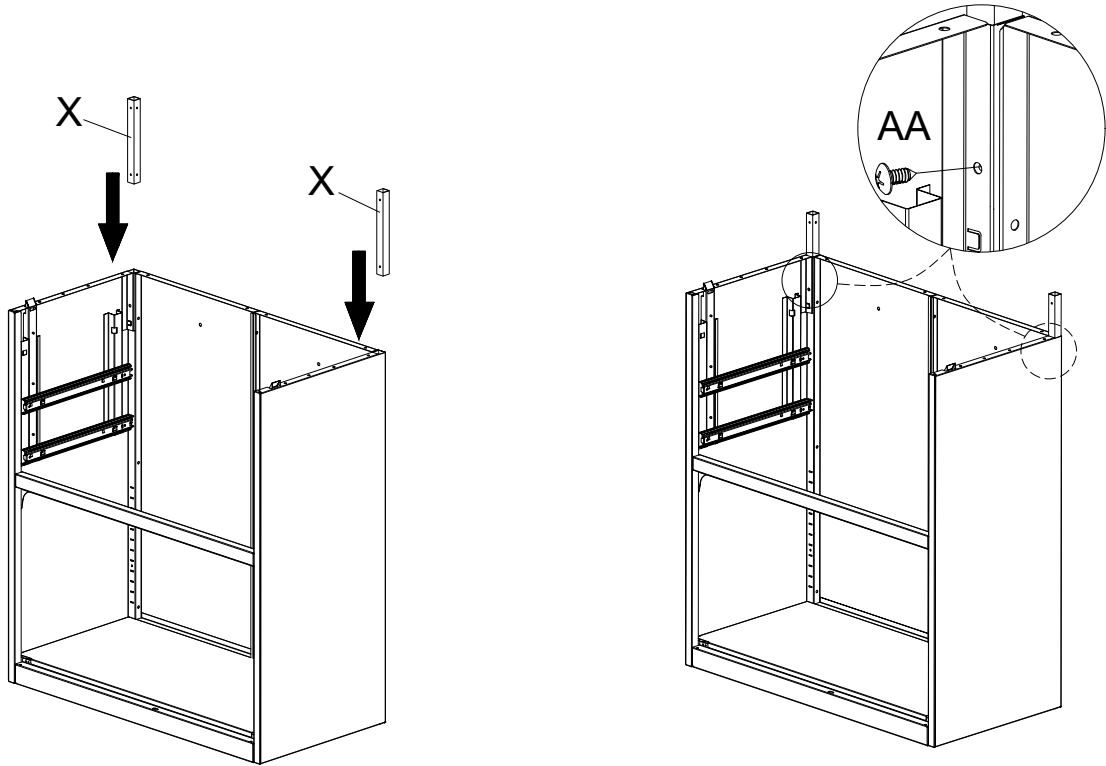
When placing Part Q, place the notched side facing forward.



 AA×4

step7

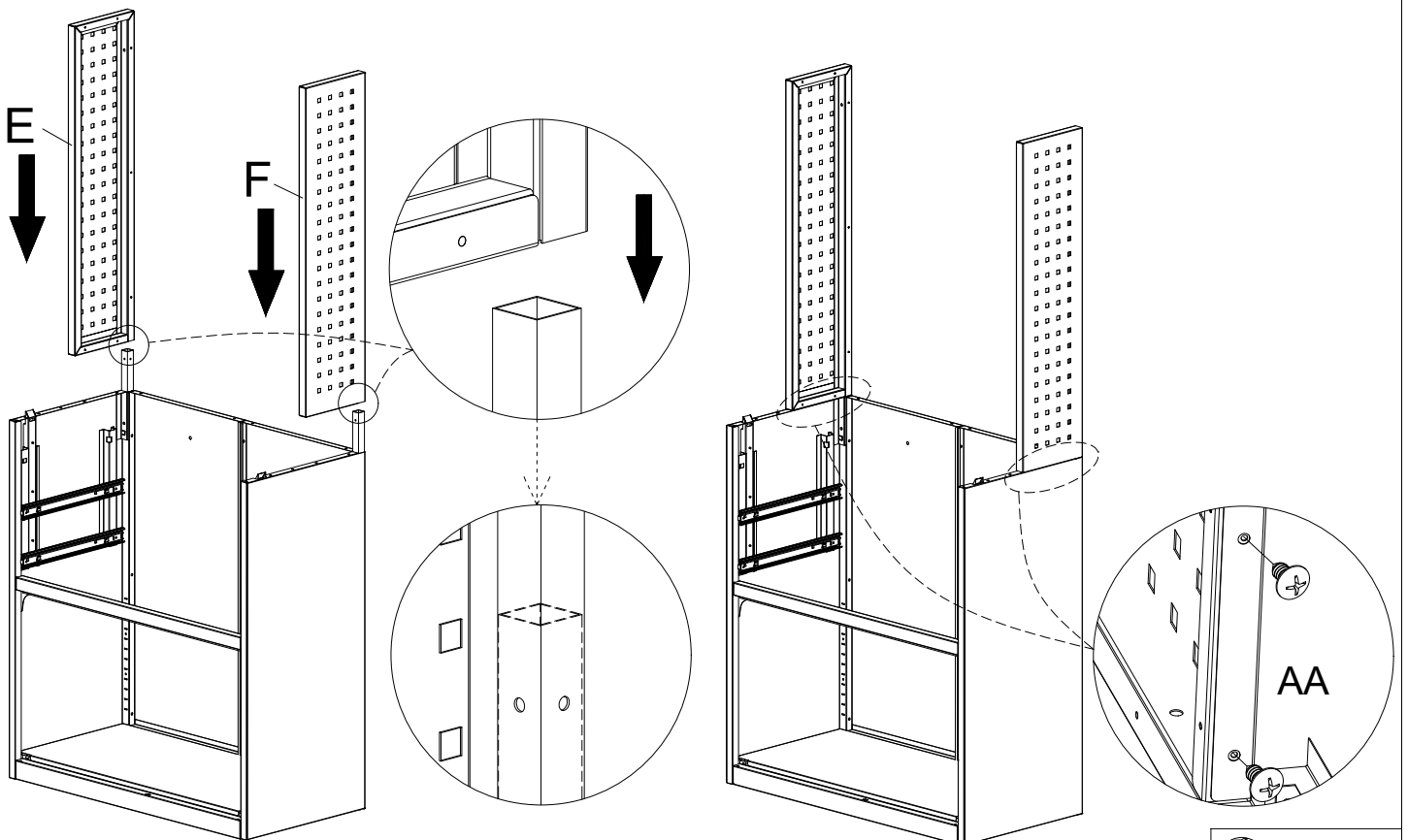
Insert the two Parts X vertically into the gaps at the rear of the two side panels and secure with two screws.



 AA×2

step8

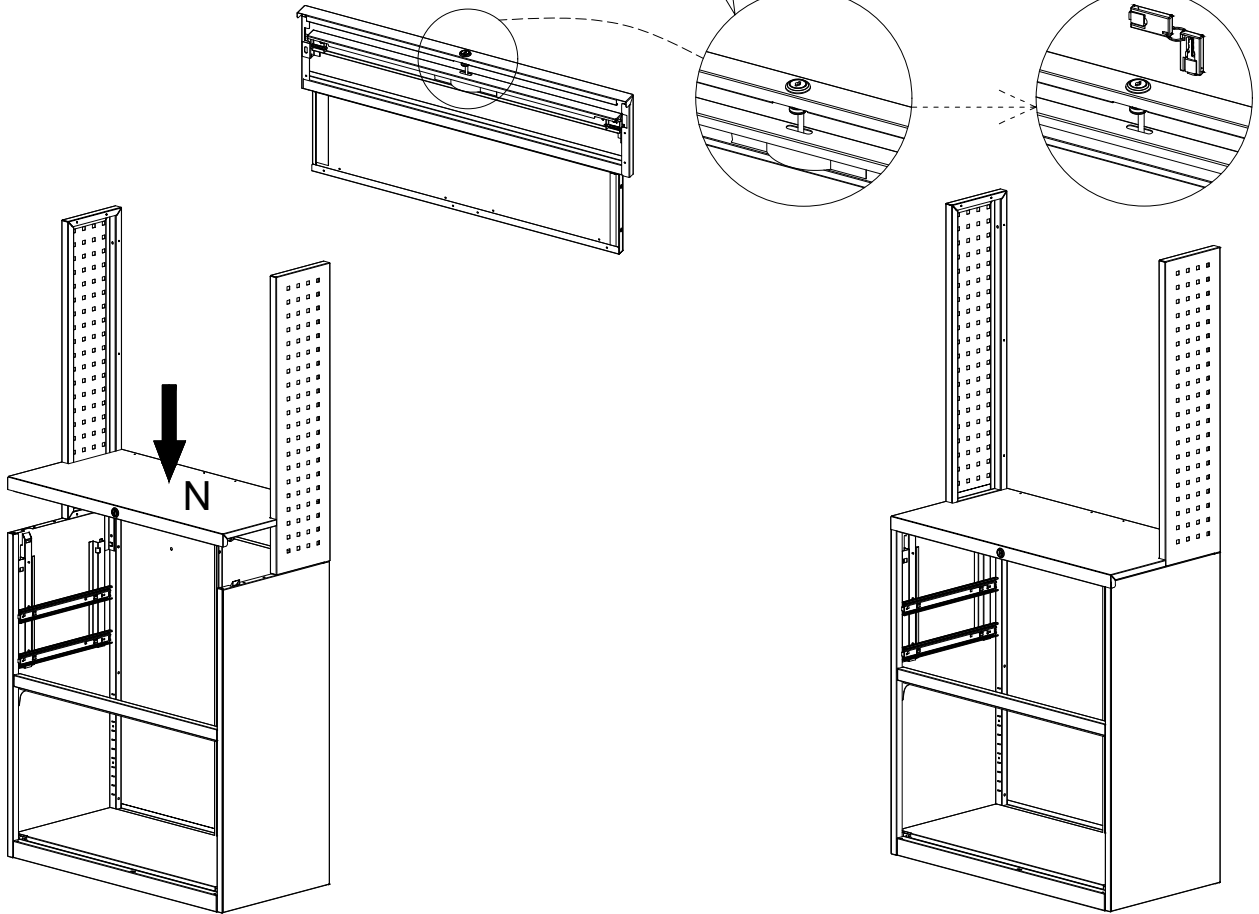
Align the holes under Parts E and F with the two square tubes and insert them vertically downwards into them while securing them with two screws each.



 AA×4

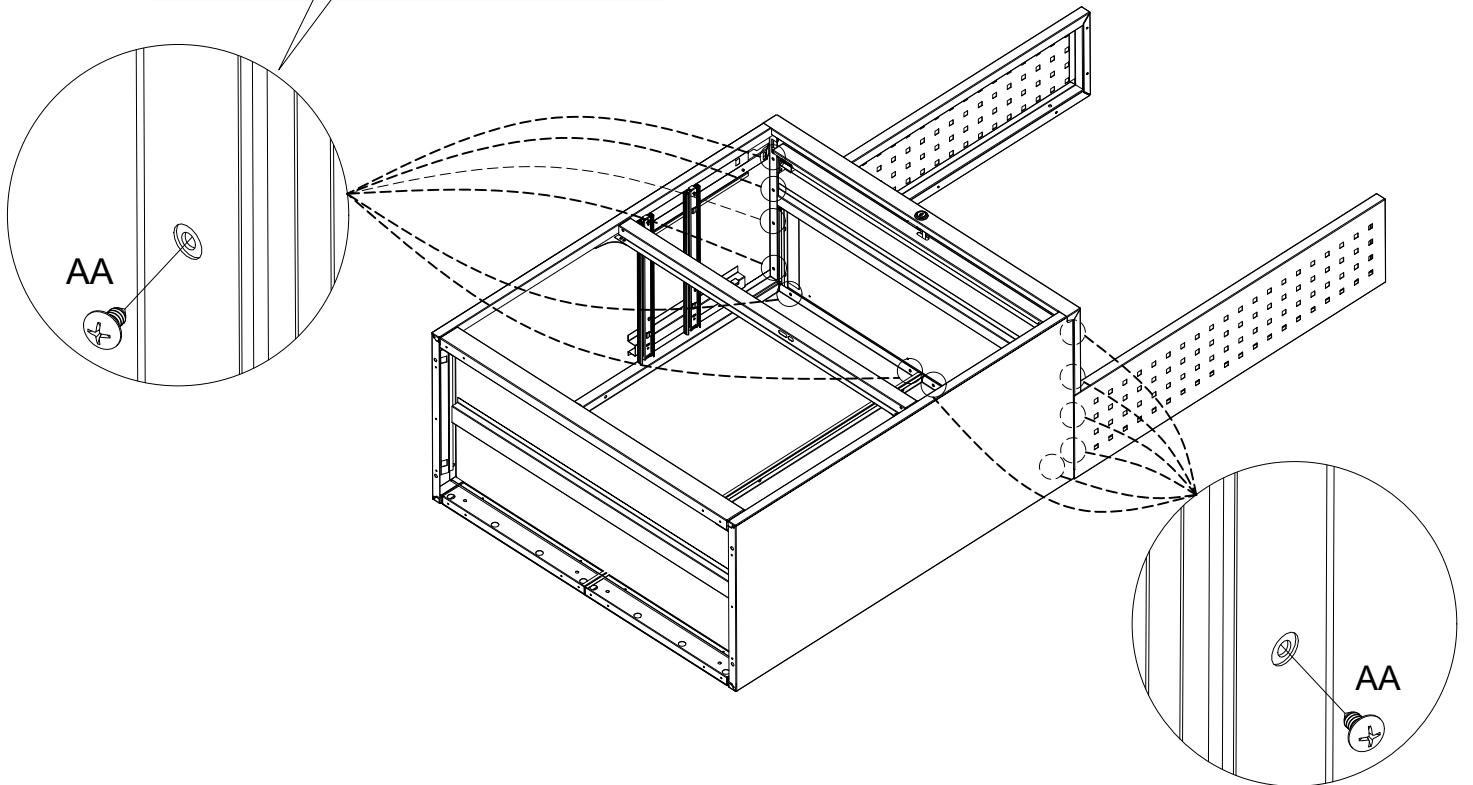
step9

Tear off the tape, cut the ribbon, and take out the key.



step10

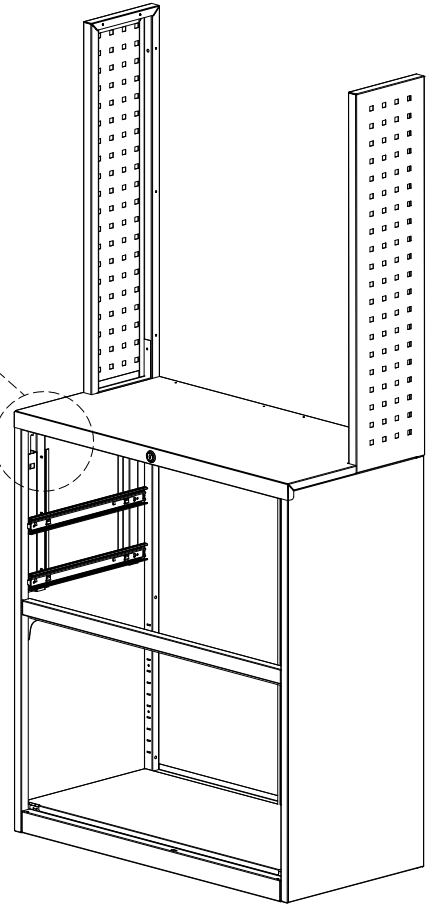
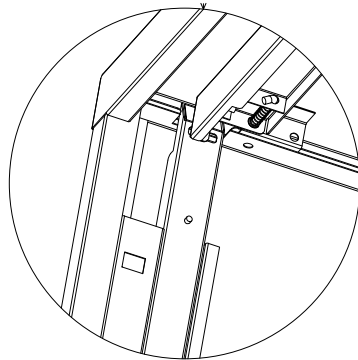
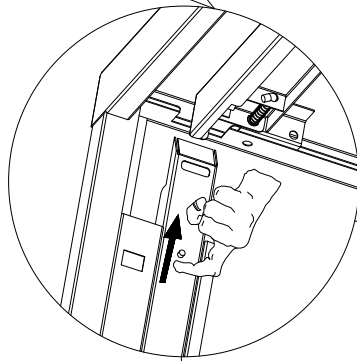
Install screws from inside cabinet.



 AA×12

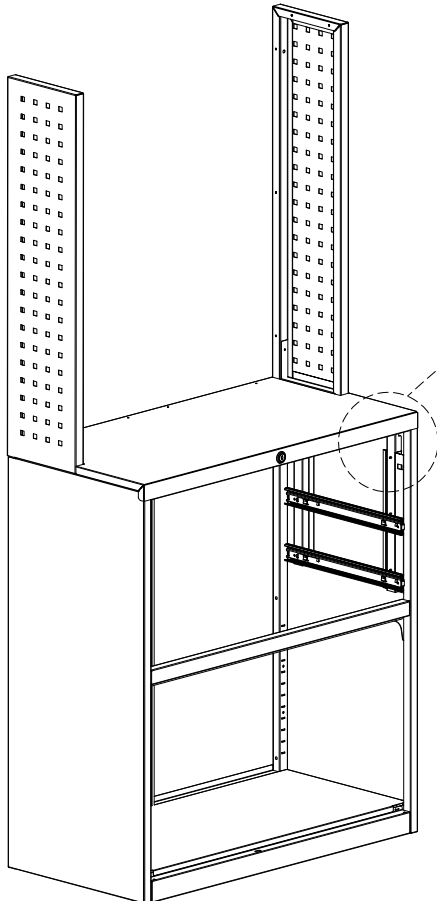
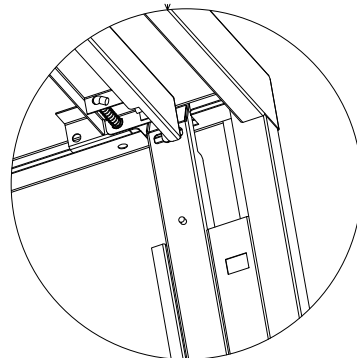
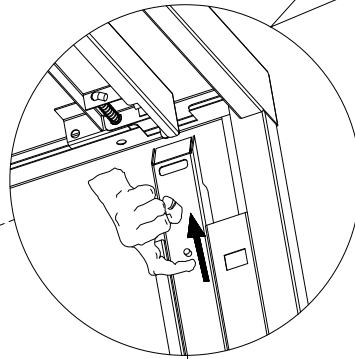
step 11

Push the left lock bar UP to the end.



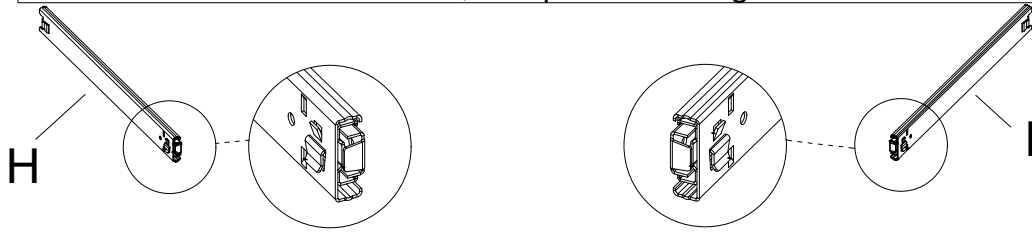
step 12

Push the right lock bar UP to the end.

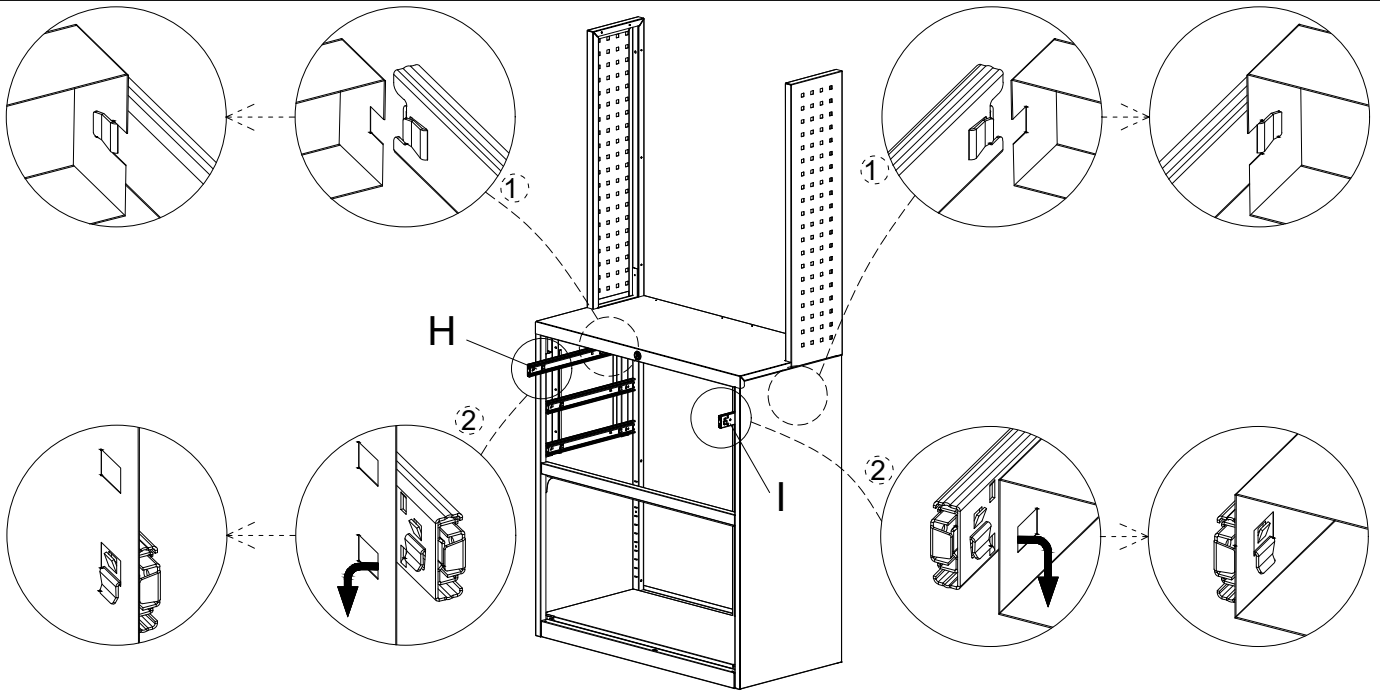


step13

For smoothly assemble, please first distinguish the left and right slide rails. Part H is the left slide rail, and part I is the right slide rail.

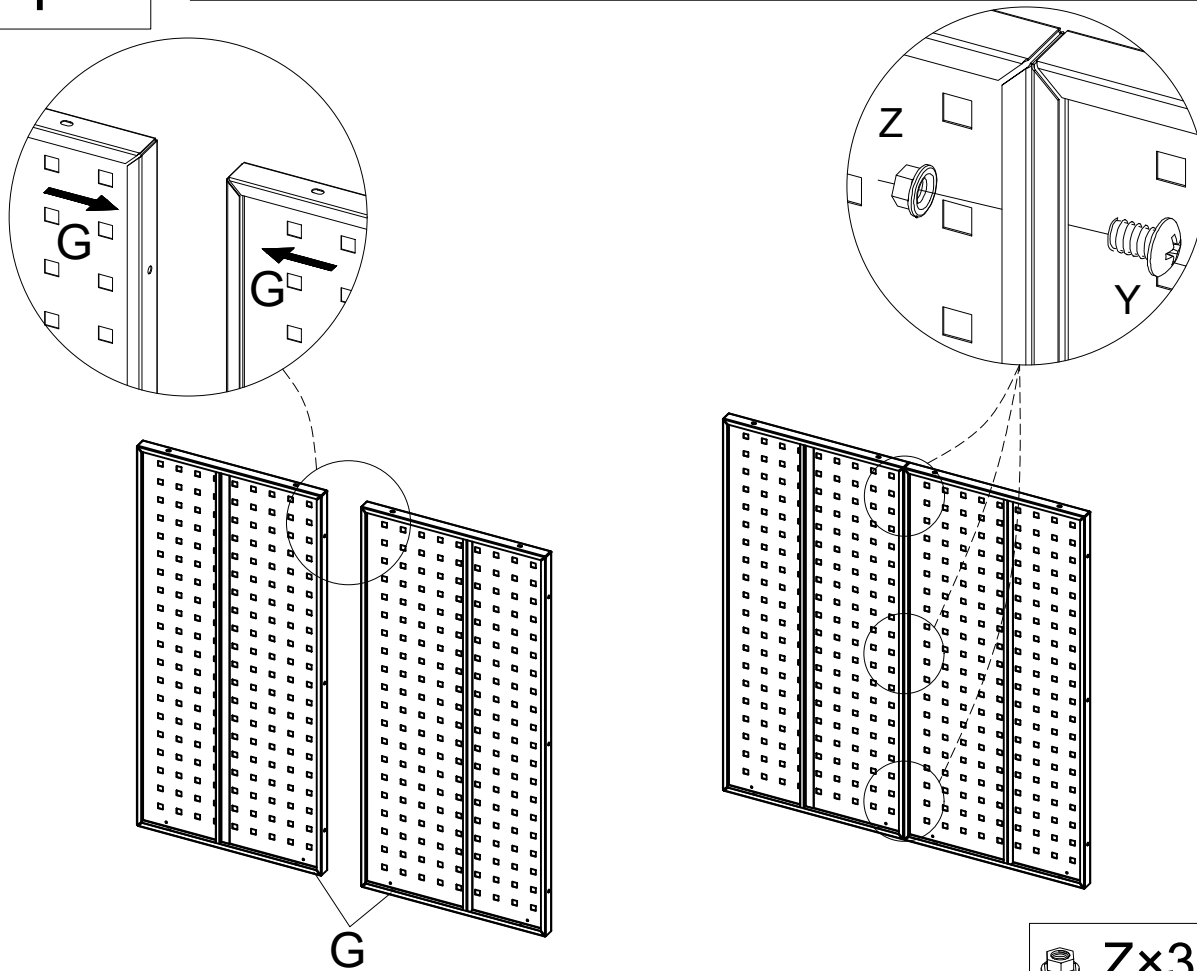




Fit the rail by first inserting it into the hole at the back and then snapping it into the hole at the front.



step14

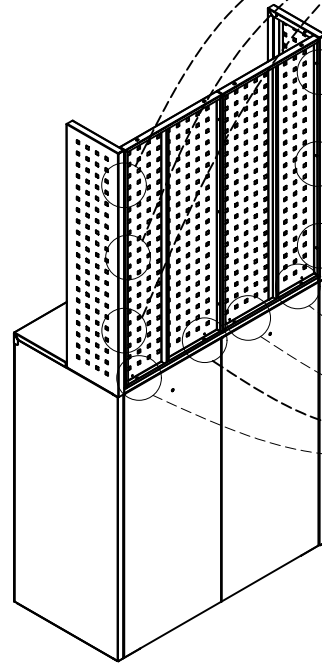
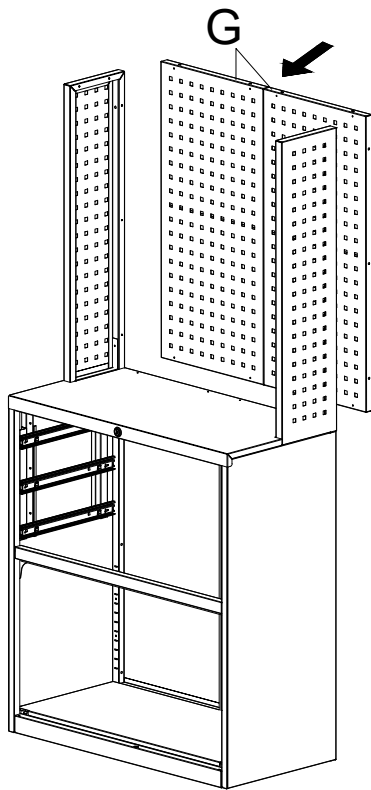
Connect the two rear panels G and secure with three sets of bolts and nuts.



 Zx3  Yx3

step 15

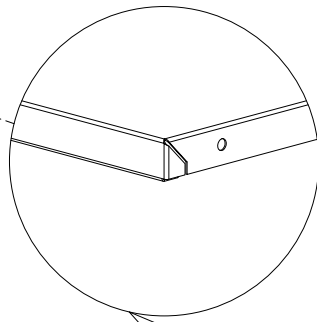
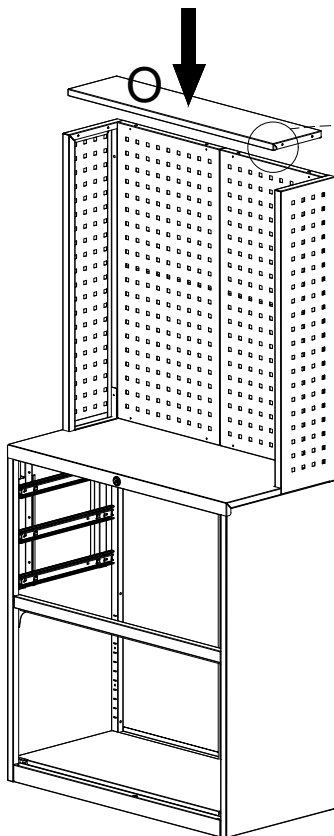
Place the pre-connected rear panel G into the frame and secure from the back using ten screws. Note that the flat side of the rear panel G needs to be forward.



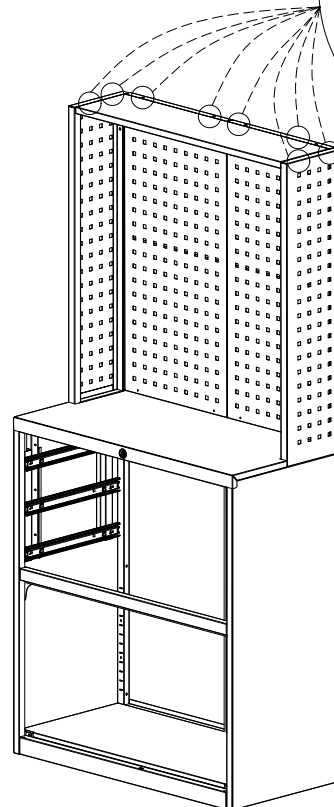
 AA×10

step 16

Put in the Part O. Note that it is necessary to hold the top panel O with your hand when putting in the screws to avoid dropping it.



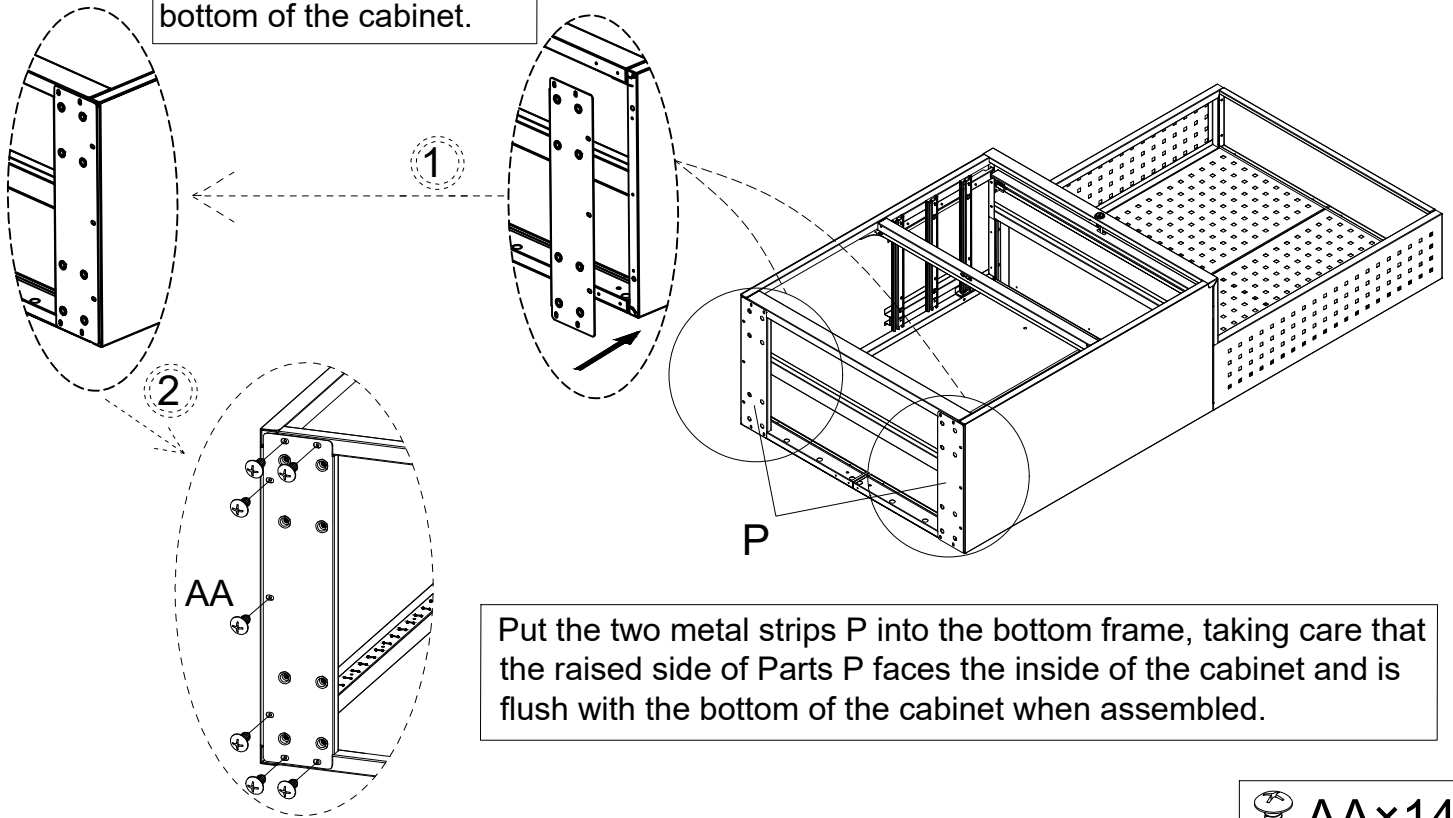
Note that the end indicated in the detail drawing faces forward.



 AA×8

step17

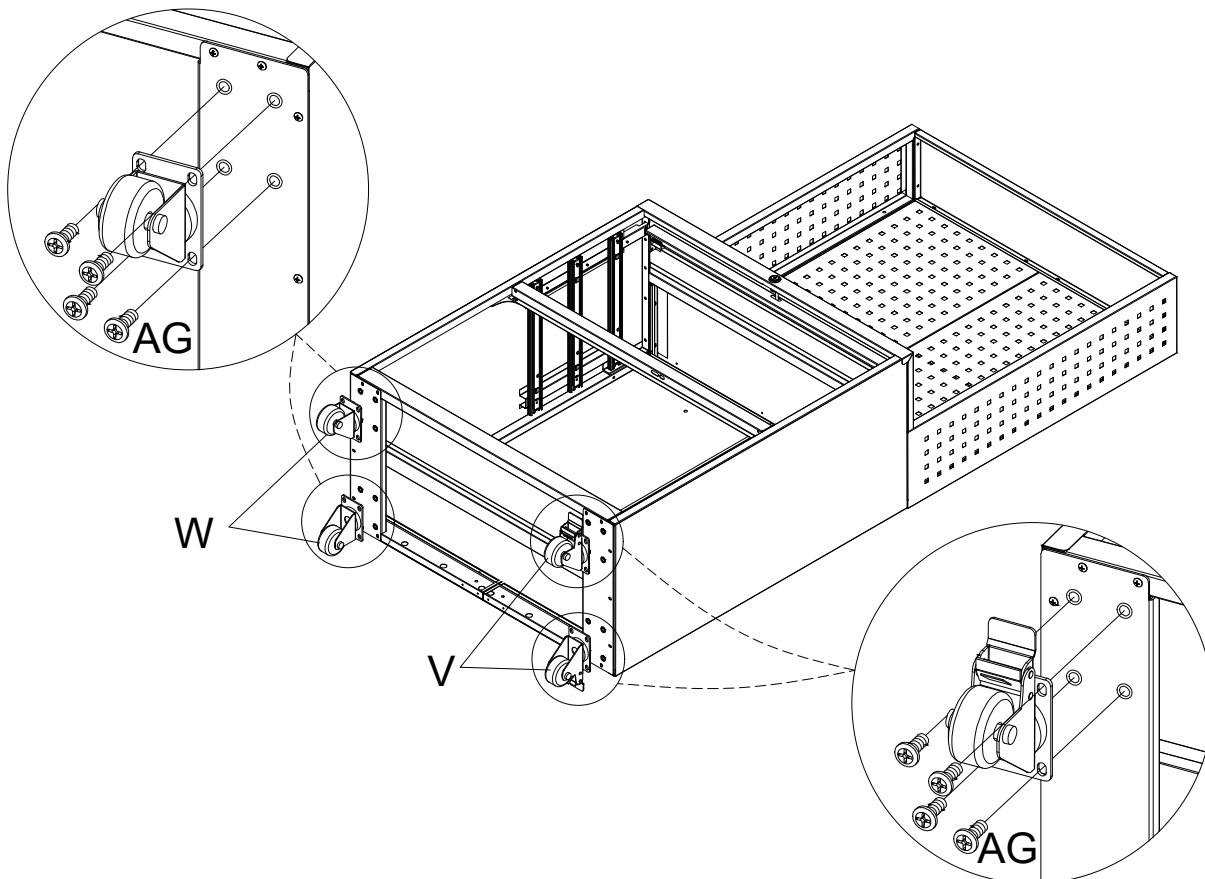
The raised gold hardware side on Part P faces the bottom of the cabinet.



 AA×14

step18

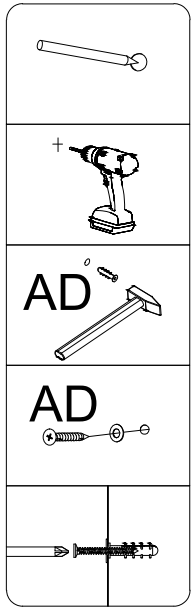
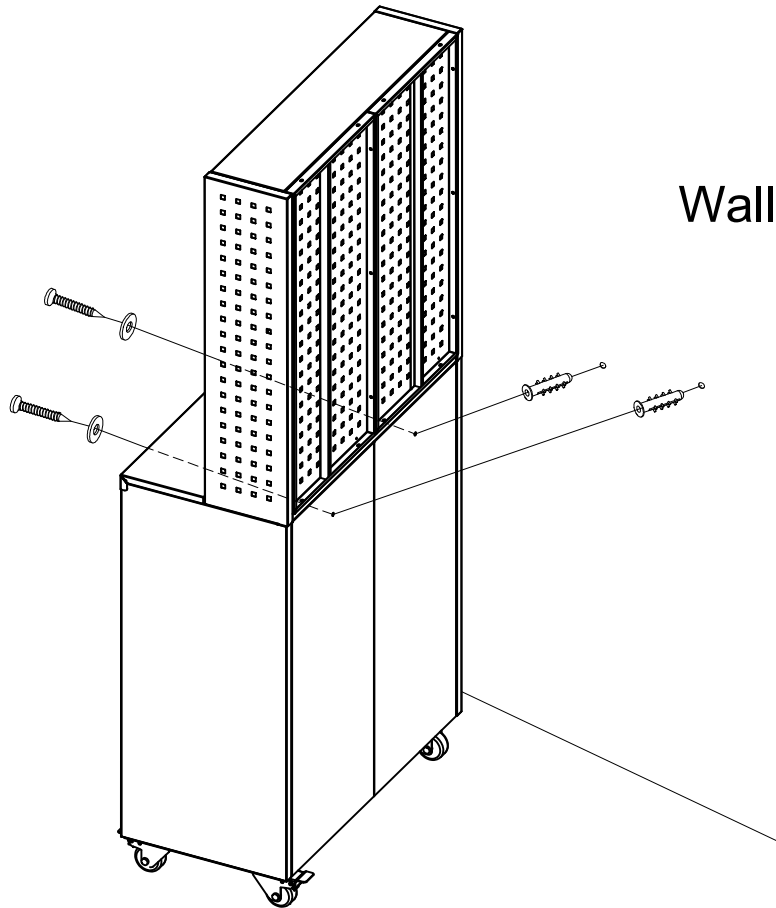
Place the two lockable casters on one side according to your preference.



 AG×16

step19

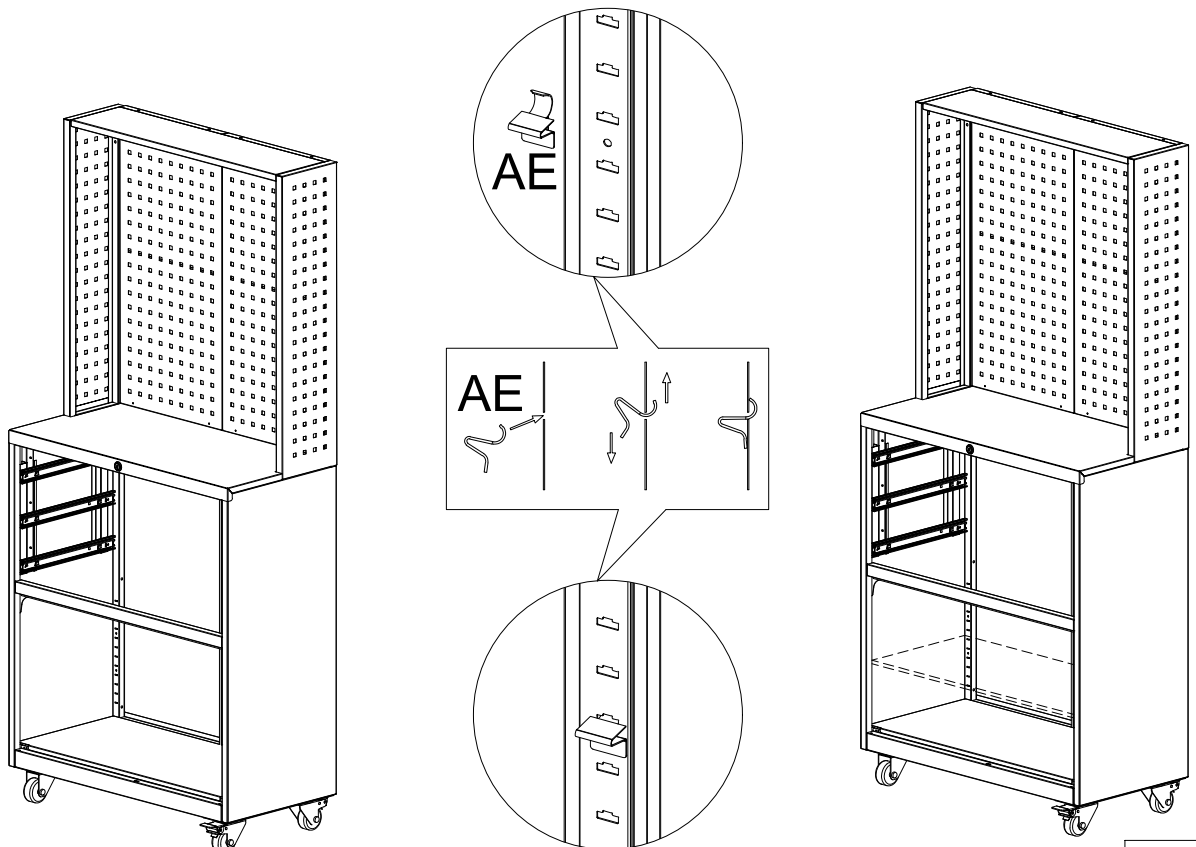
The cabinet can be fixed to the wall as needed.



AD×2

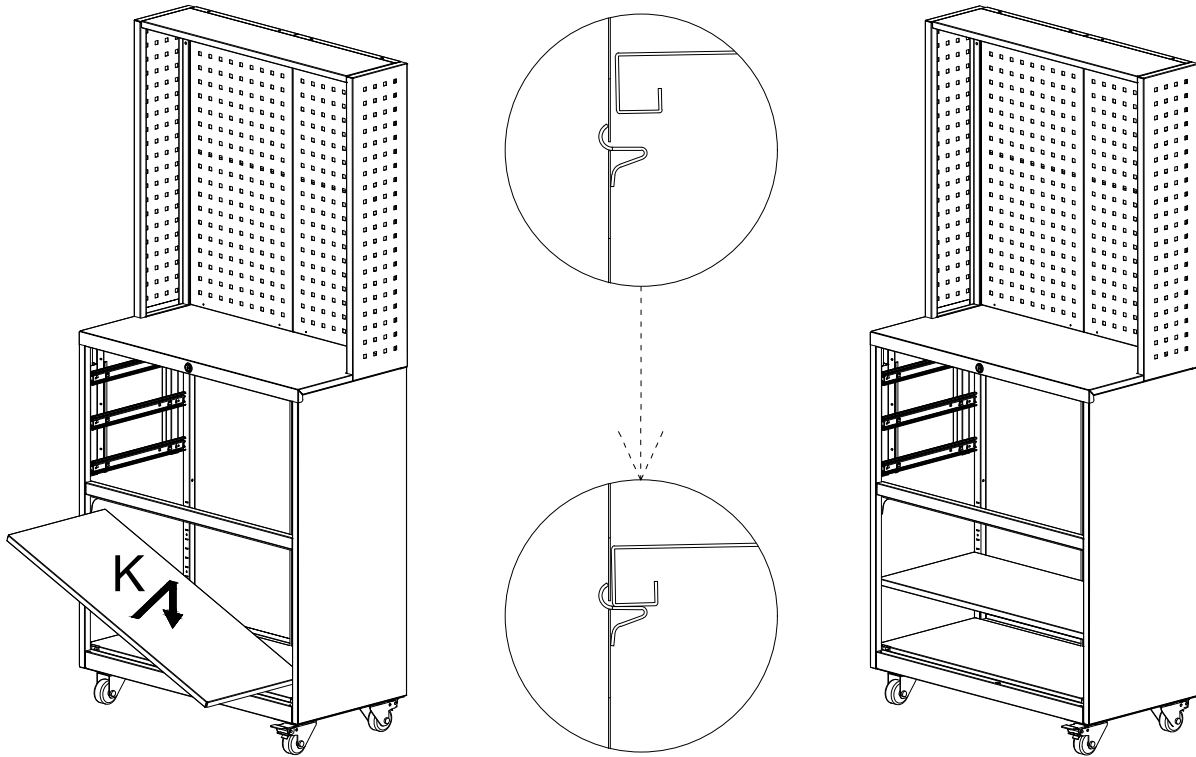
step20

Put four support clips AE in the four corners of the cabinet, taking care to place them on the same level.




AE×4

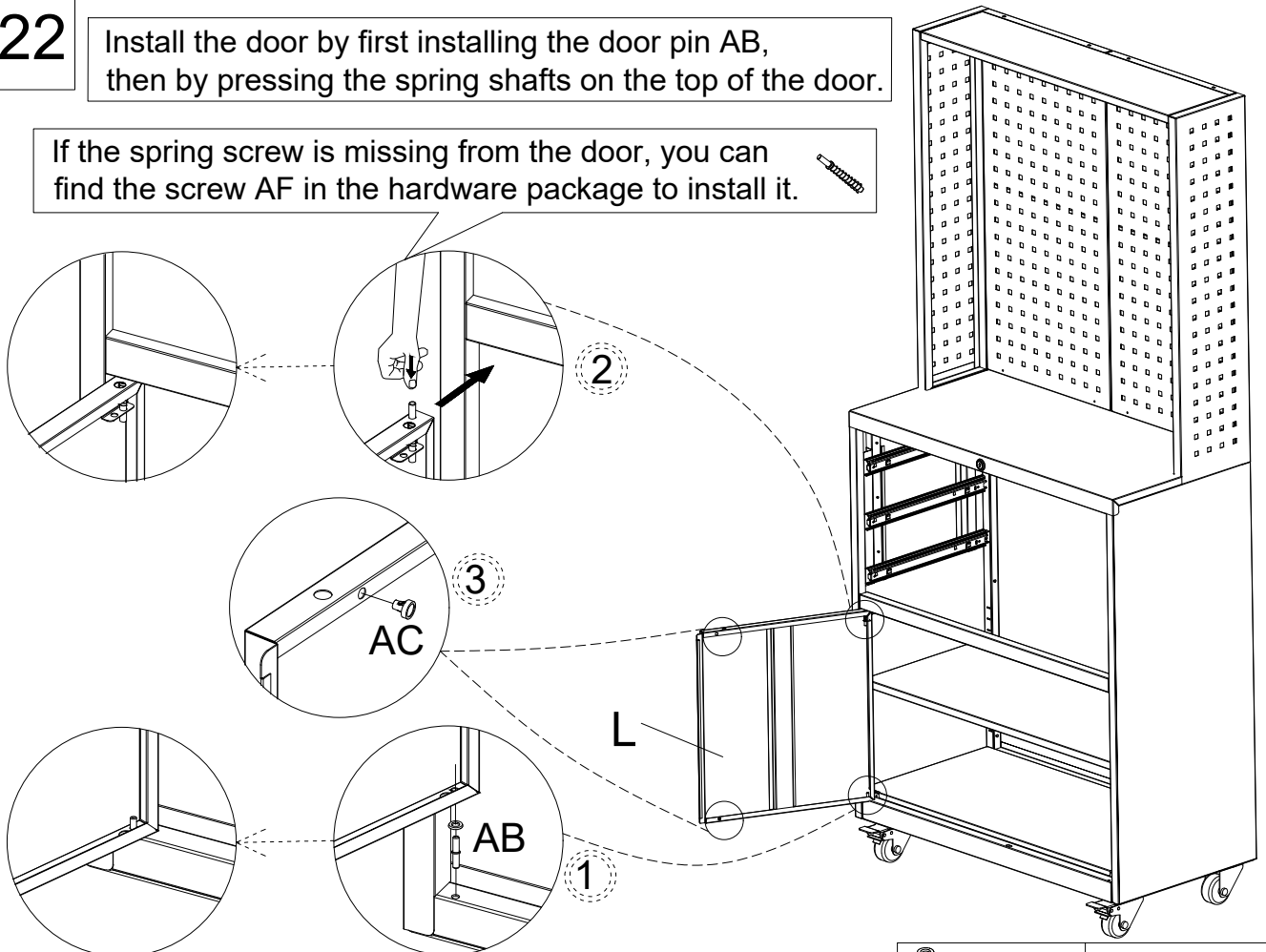
step21





step22

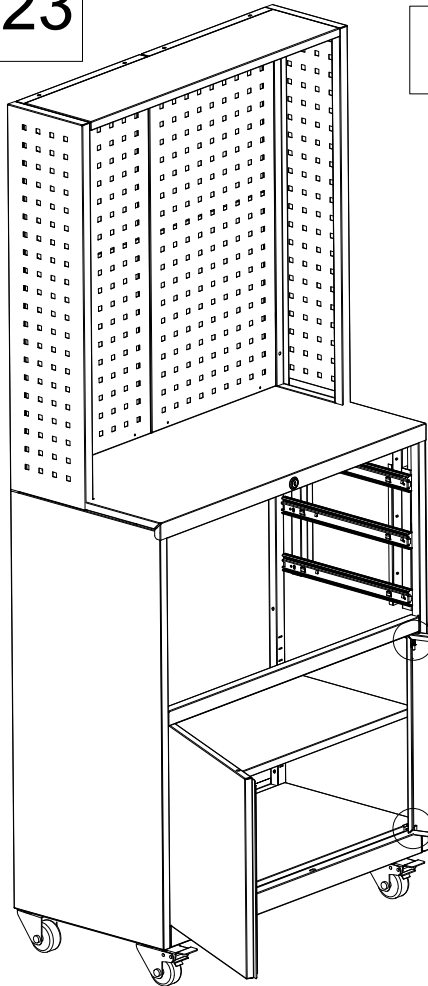
Install the door by first installing the door pin AB, then by pressing the spring shafts on the top of the door.

If the spring screw is missing from the door, you can find the screw AF in the hardware package to install it. 

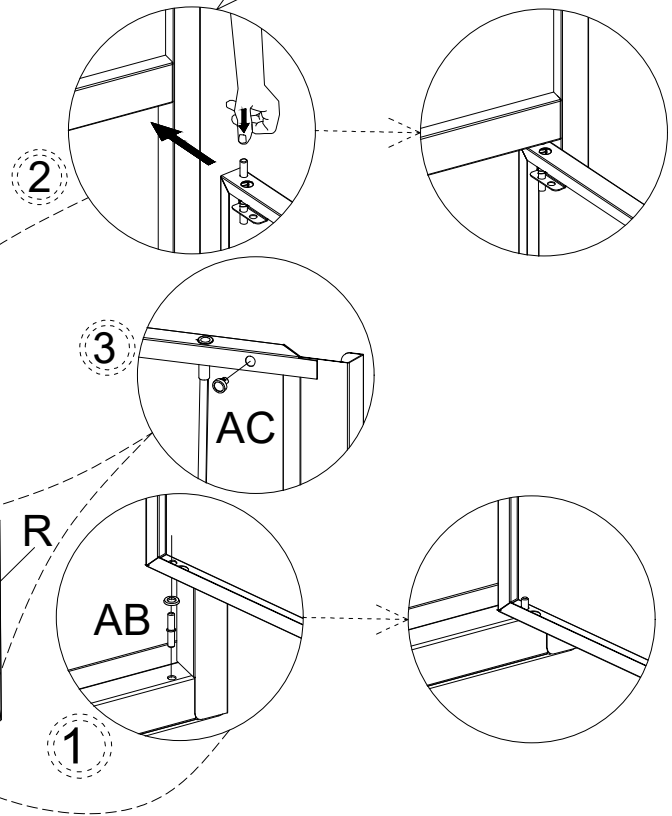




 AB×1  AC×2

step23



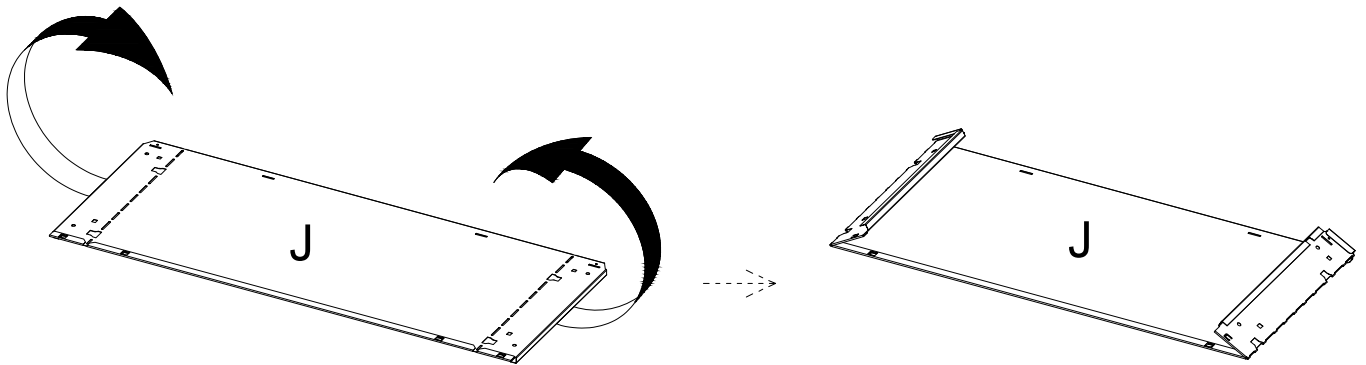
If the spring screw is missing from the door, you can find the screw AF in the hardware package to install it.



 AB×1  AC×2

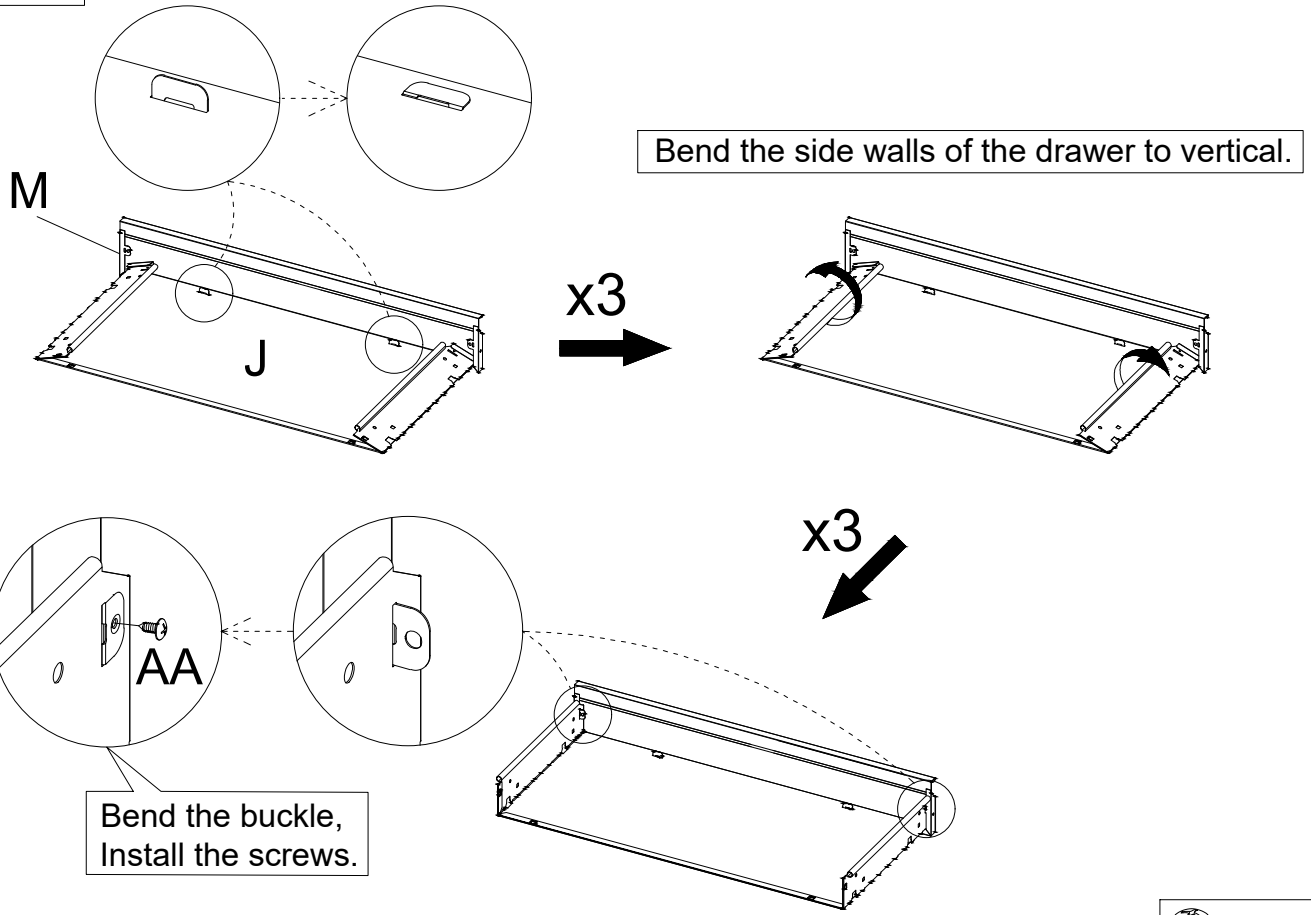
step24

Fold the drawer body J vertically along its 90-degree bend, ensuring the smooth surface becomes the interior of the drawer.



step25

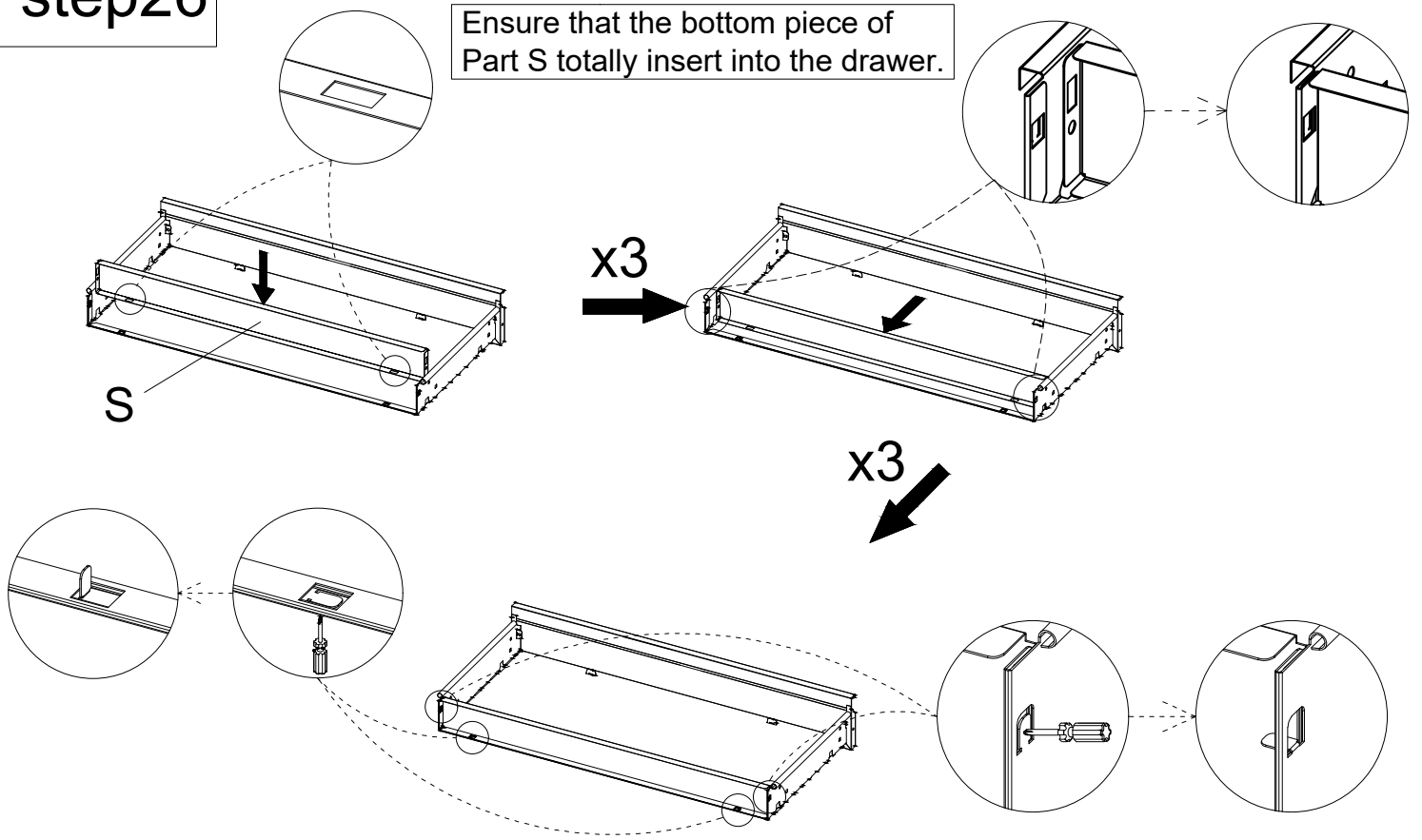
Be careful not to bend the side walls of Part J until after you have placed Part J into the small tabs on Part M.



AA×6

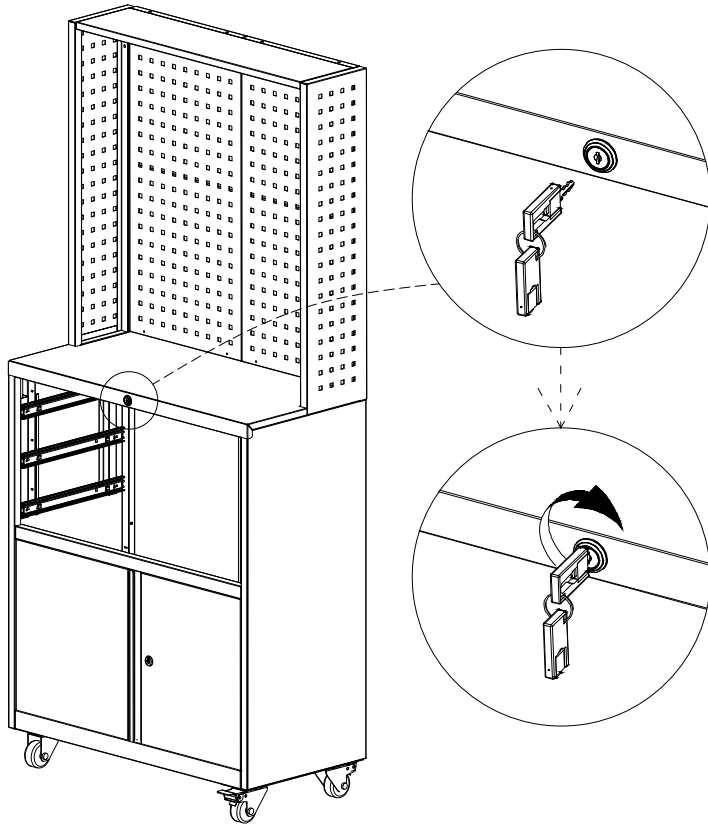
step26

Ensure that the bottom piece of Part S totally insert into the drawer.

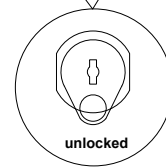


Once in place use the screwdriver to push the tabs through, which will lock them in place.

step27

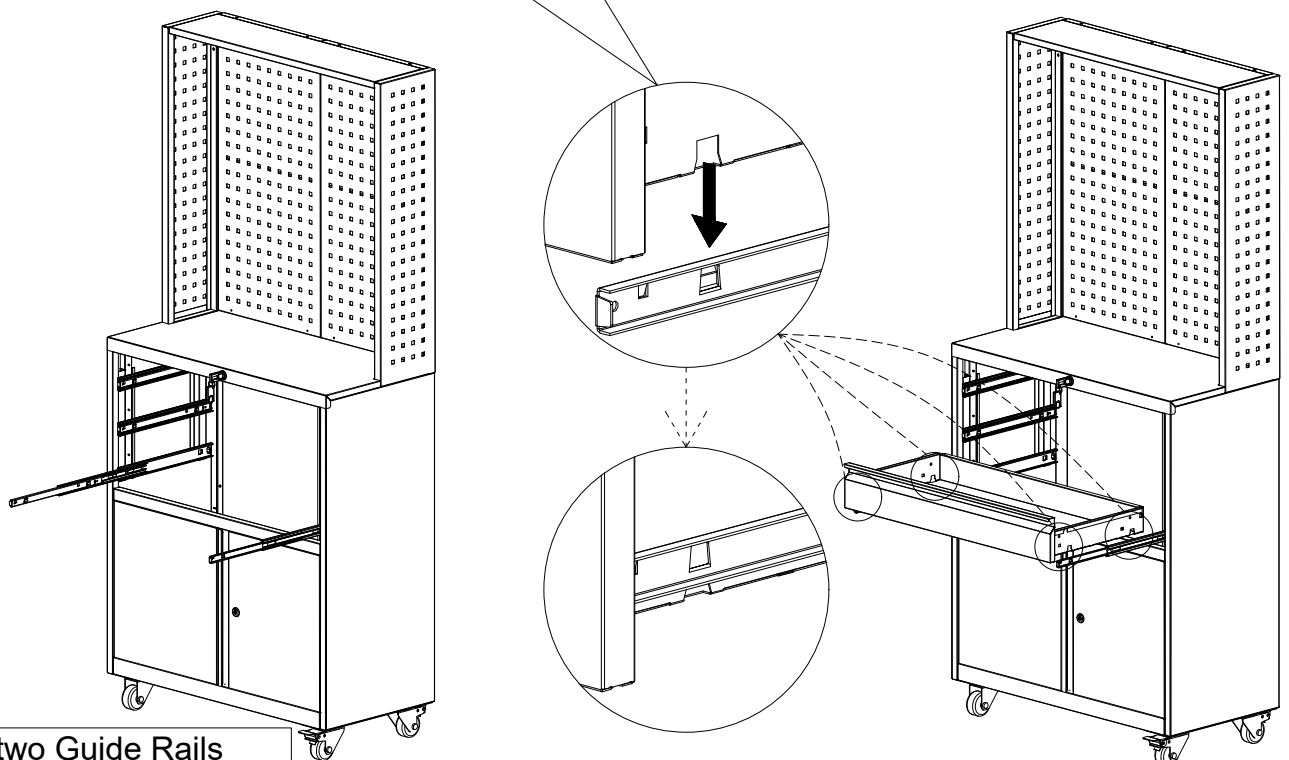


Attention! Before inserting the drawers, ensure that the key is turned 180 degrees clockwise while in the unlocked position.



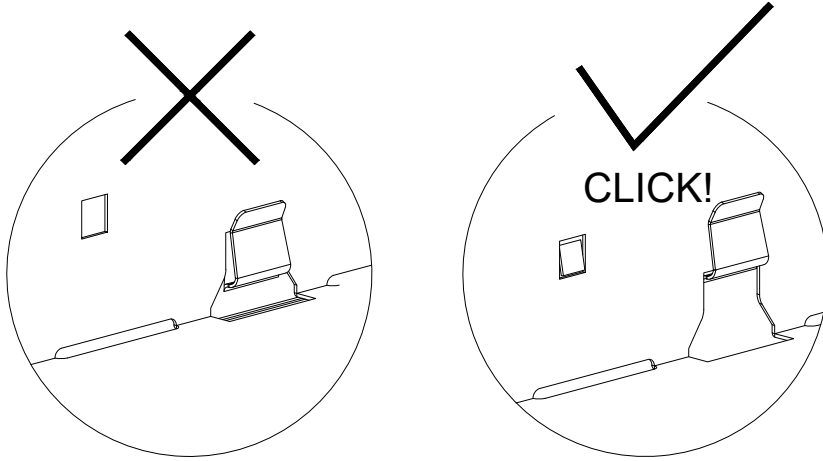
step28

With two people lifting each side of the drawer, align the four divots on the bottom with the two rail clips on the rails on each side and insert them into the rail clips. After placing the drawer on the rail, press the drawer base down hard enough, paying attention to check the position of the four clips inside until you hear a click four times, which means the drawer is in place.

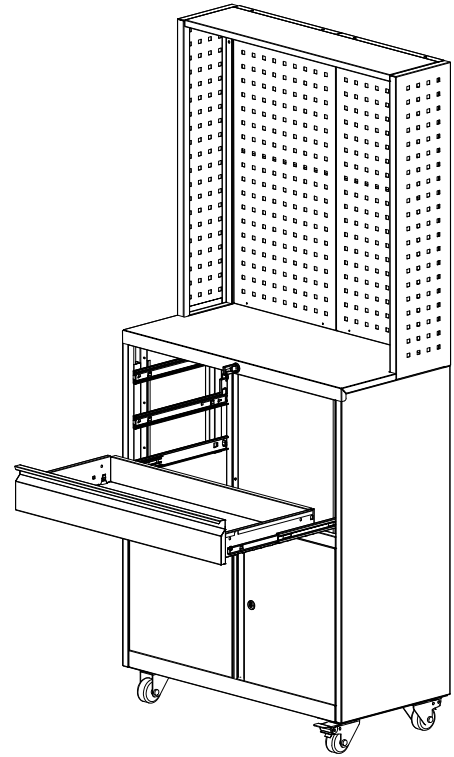


Pull out the two Guide Rails completely at the arrow position.

step29

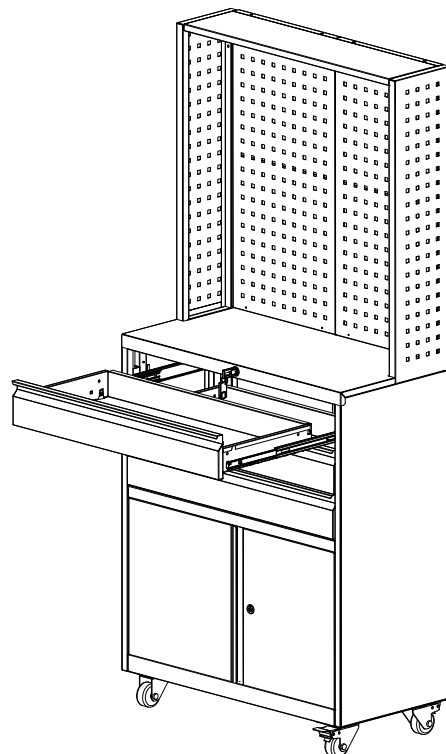
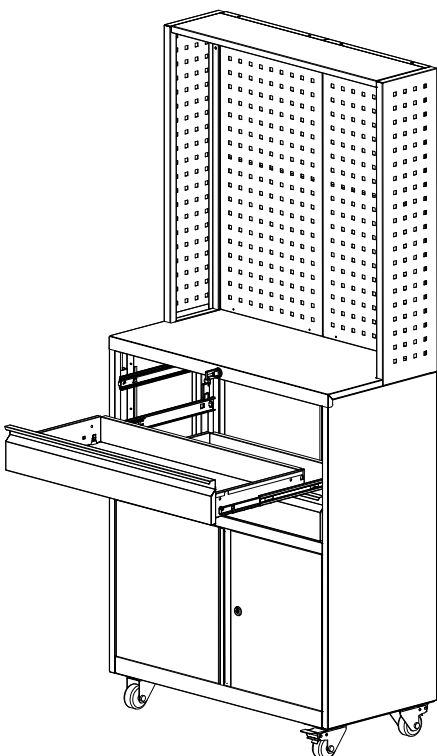


Before closing the drawers, make sure you have pressed down with some force on all four corners of the drawer to lock with the slide rails. If you don't hear the locking noise, it's not locked in place and the drawer may not close completely. You can verify that the drawers are in place by checking the snaps in four positions inside the drawer.



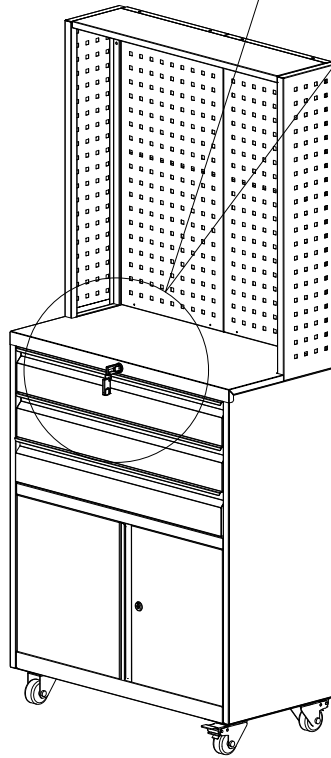
step30

Repeat steps 28 and 29 to install the remaining two drawers .
Note: The pushing of the top drawer will squeeze the spare key.



step31

Turn the key 180° counterclockwise and the drawer is locked.



step32

Hang hook AH on either side of the cabinet.

