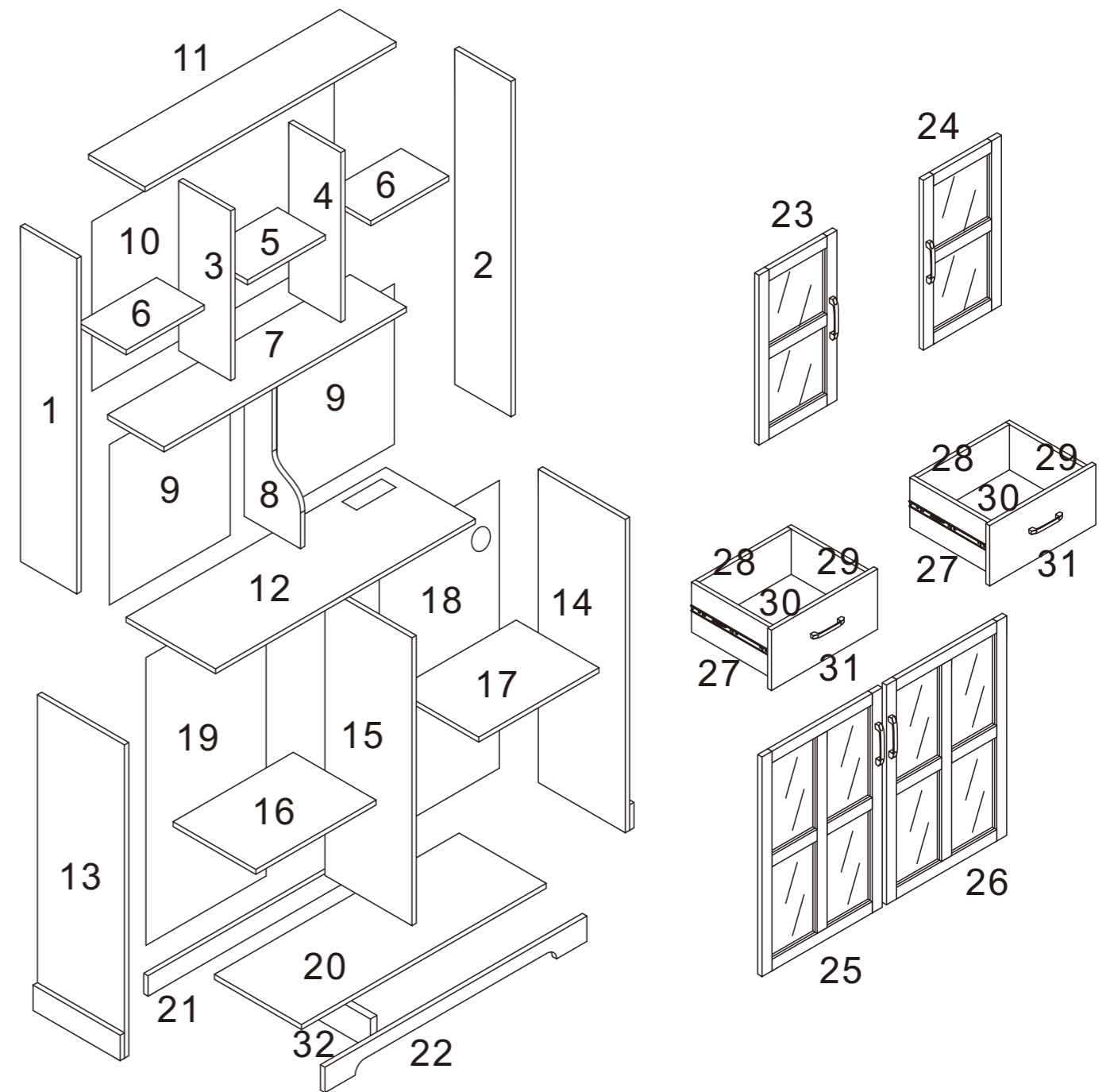
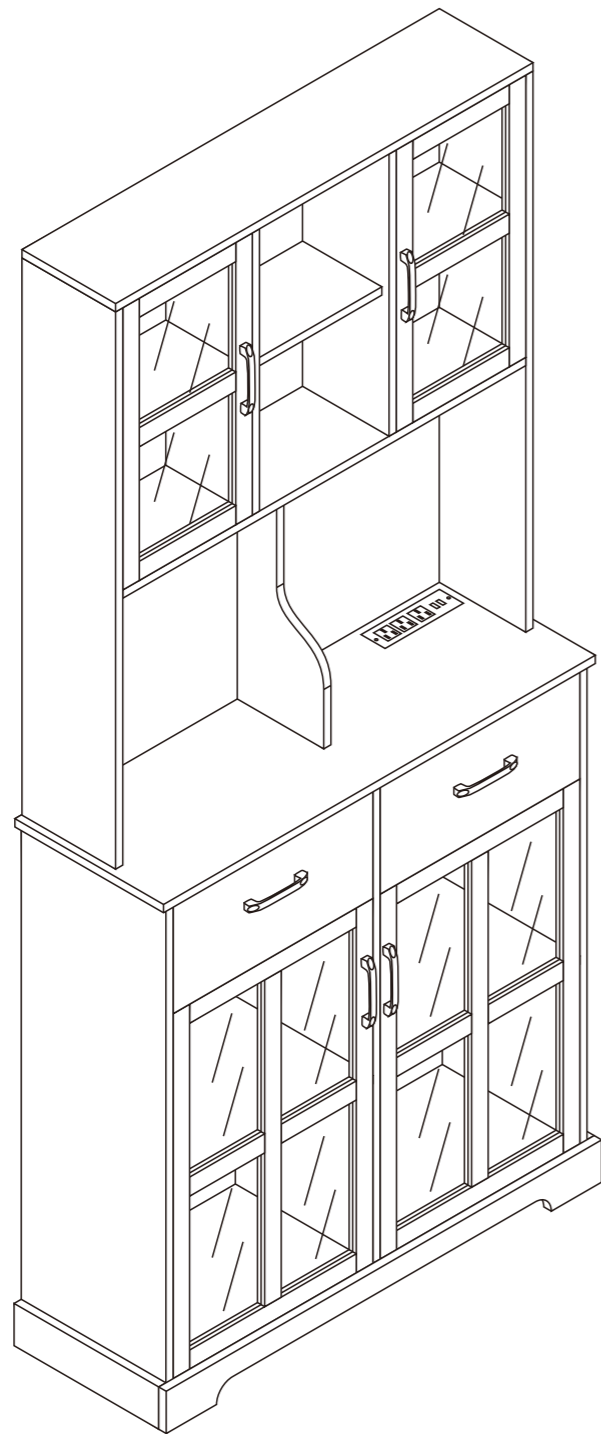

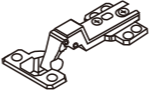





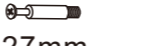
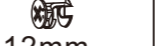



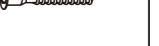

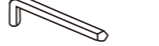
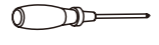
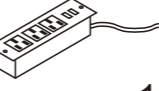
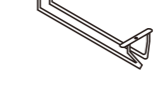



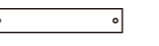






Assembly Instructions

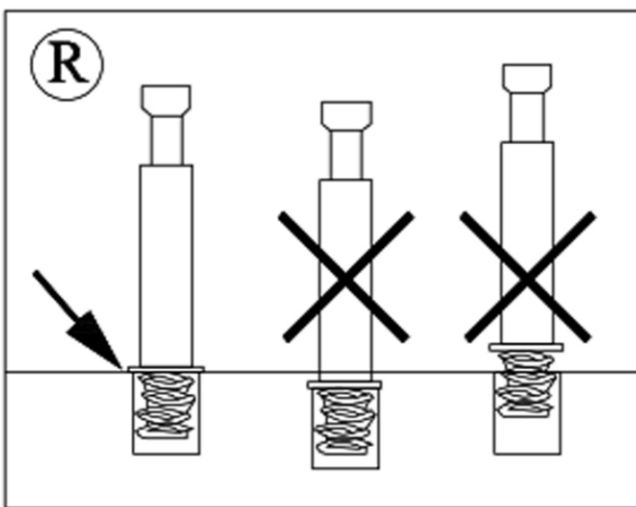
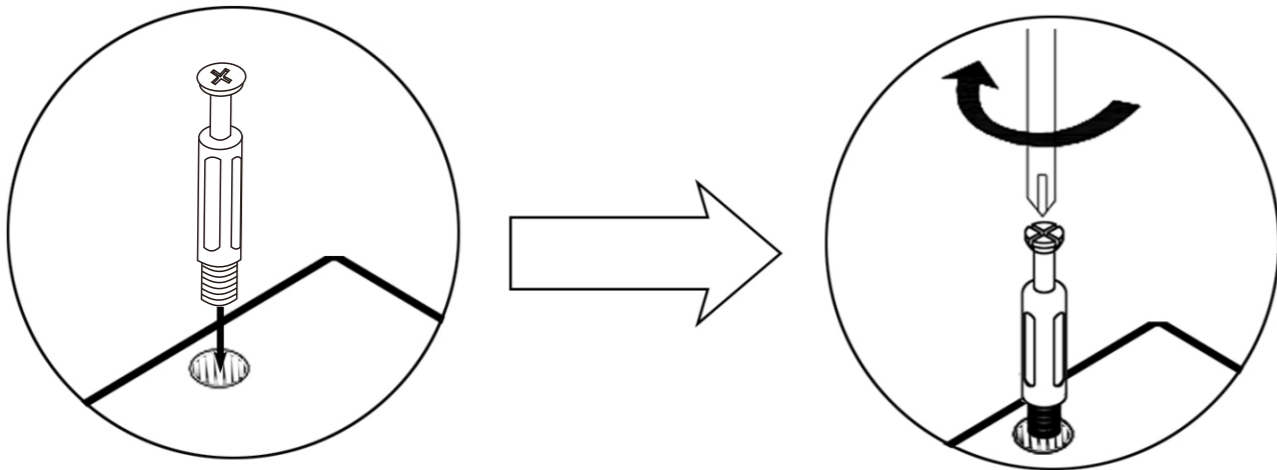


A  3.5x16mm x48	B  x8	C  3x14mm x50	D  x4	E  x6	F  15mm x33	G  40mm x33
H  27mm x8	I  12mm x8	J  x4	K  x8	L  x20	M  x26	N  x16
O  x1	P  x1	Q  x1	R  x2	S  x2	T  x4	U  x12
KK  x2	LL  x2	OO  x2	NN  x4	MM  x2		



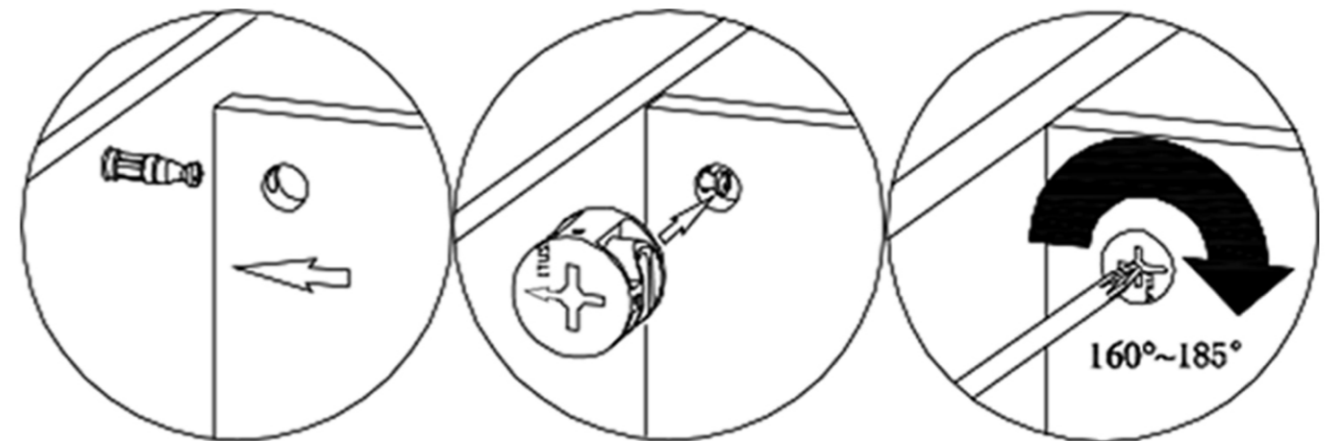
Hardware installation demonstration

- Please make sure G.H hardware tightened and can't be pulled out



Hardware installation demonstration

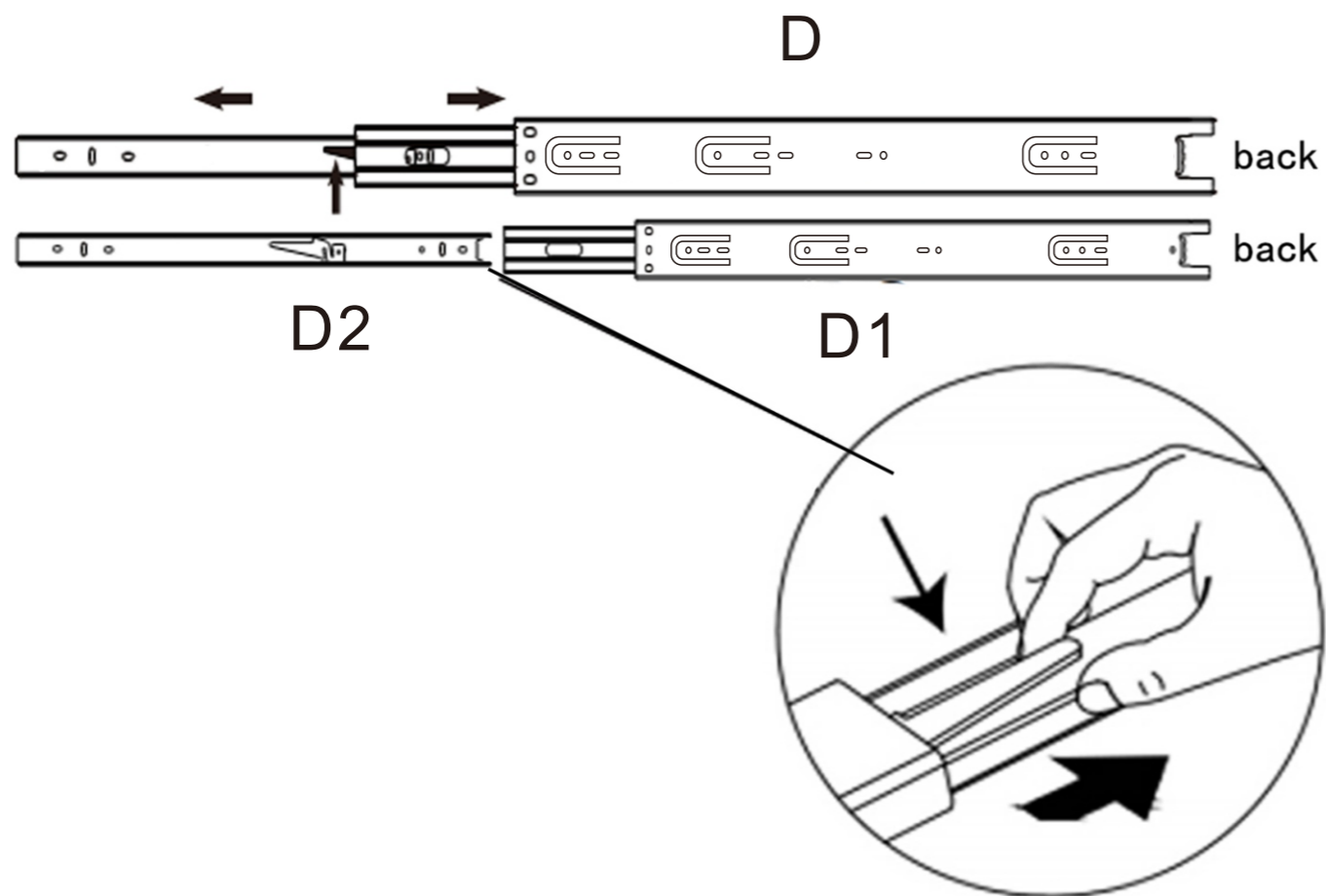
- When inserting cam ensure arrowhead on cam points toward to the hole on the panel edge





Hardware installation demonstration

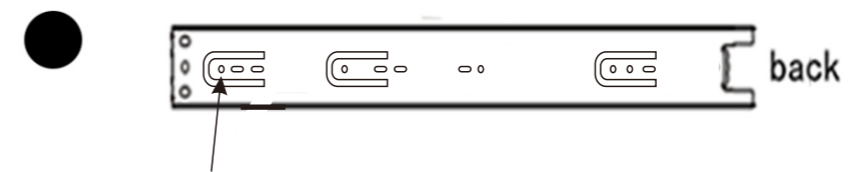
- Before installing the drawer rail, you need to separate the D1 and D2 first.



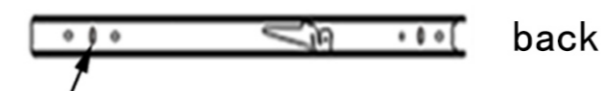
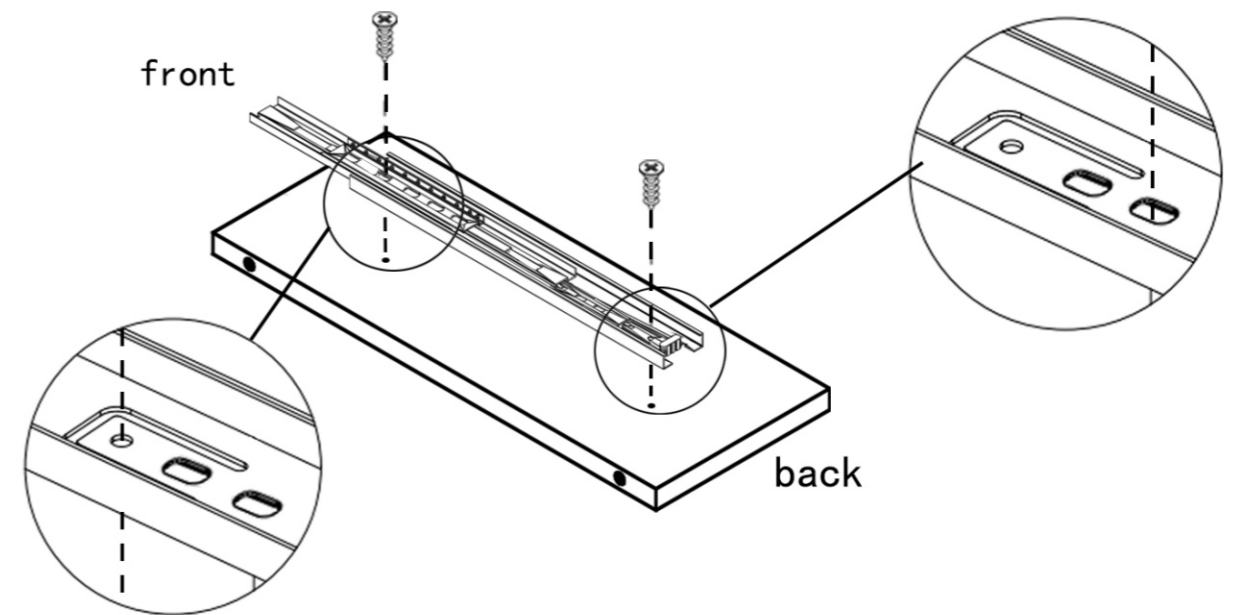
Warm Reminder: Press it and split



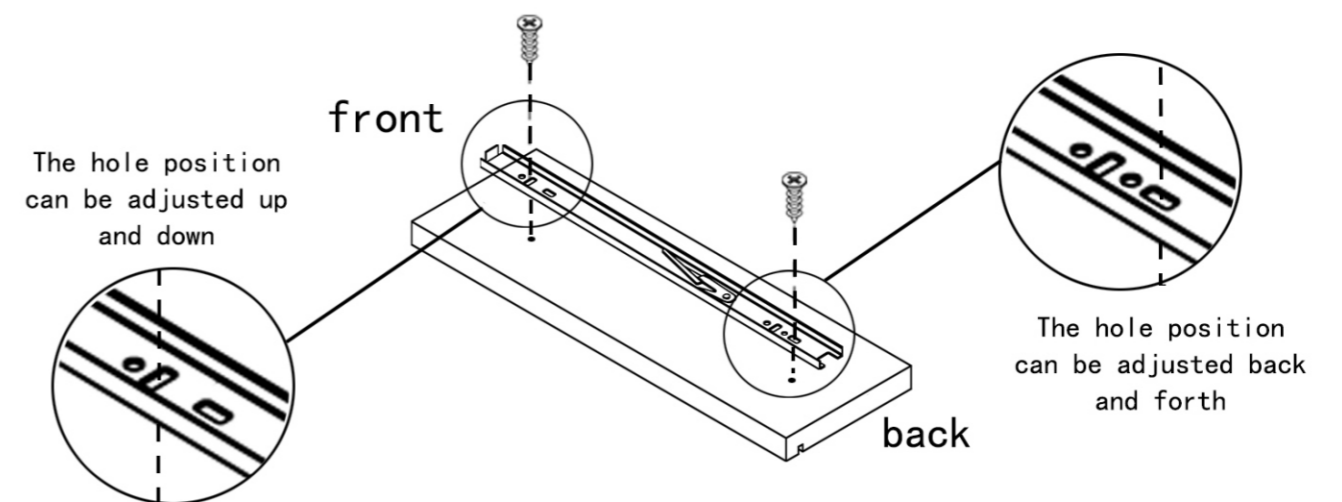
Hardware installation demonstration



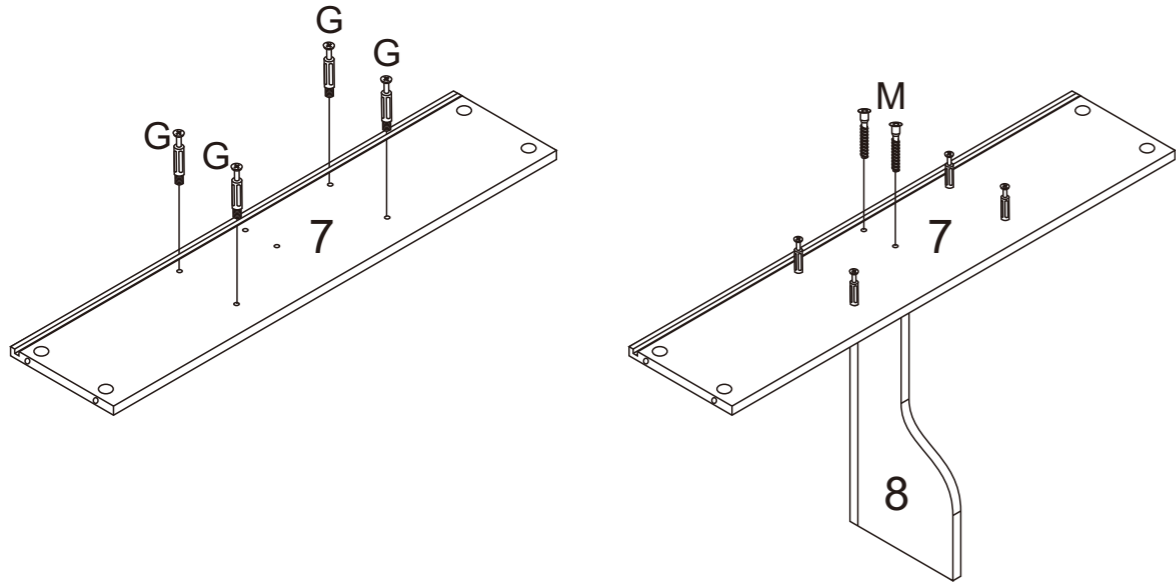
The first screw hole should corresponded with the board location hole





The first screw hole should corresponded with the board location hole

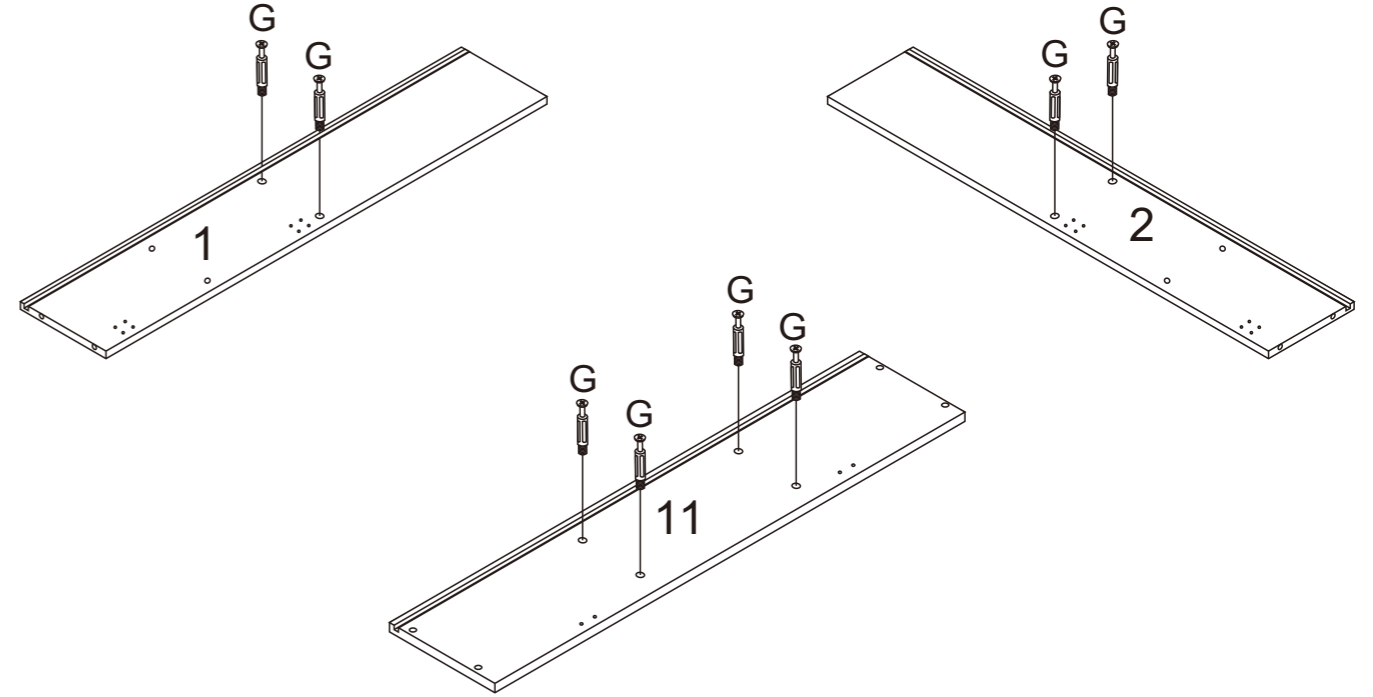



01



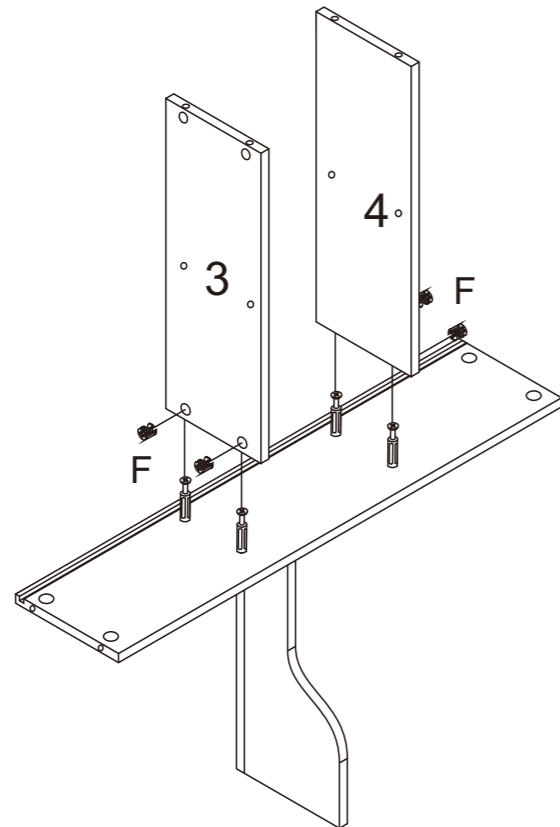
G	M
	
40mm	
x4	x2


03



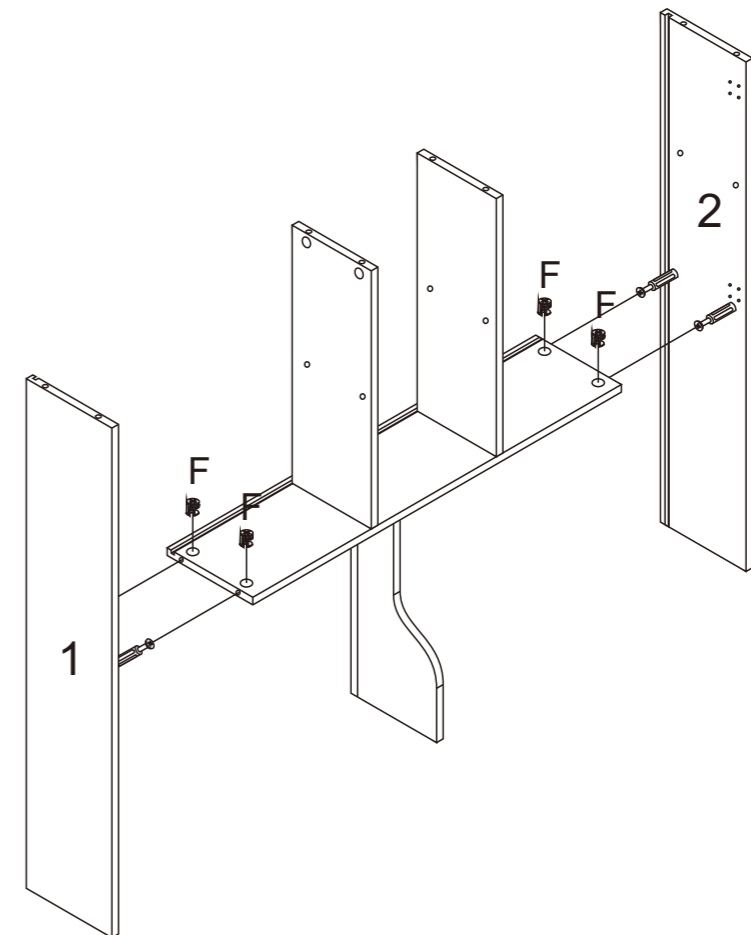
G

40mm
x8


02



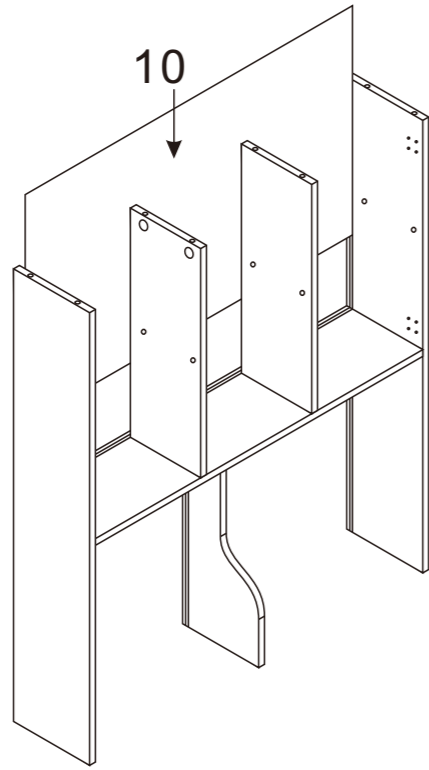
F

15mm
x4

04

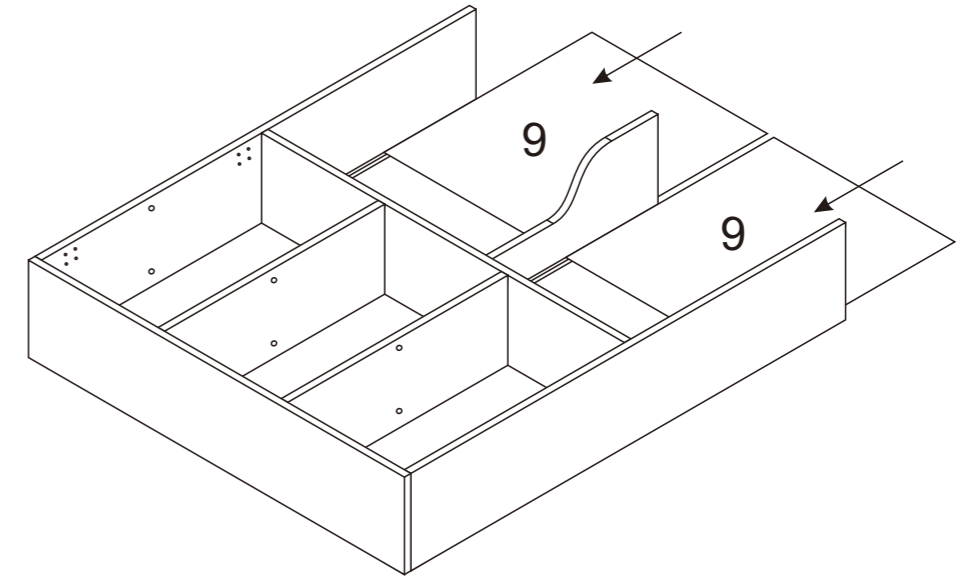


F

15mm
x4

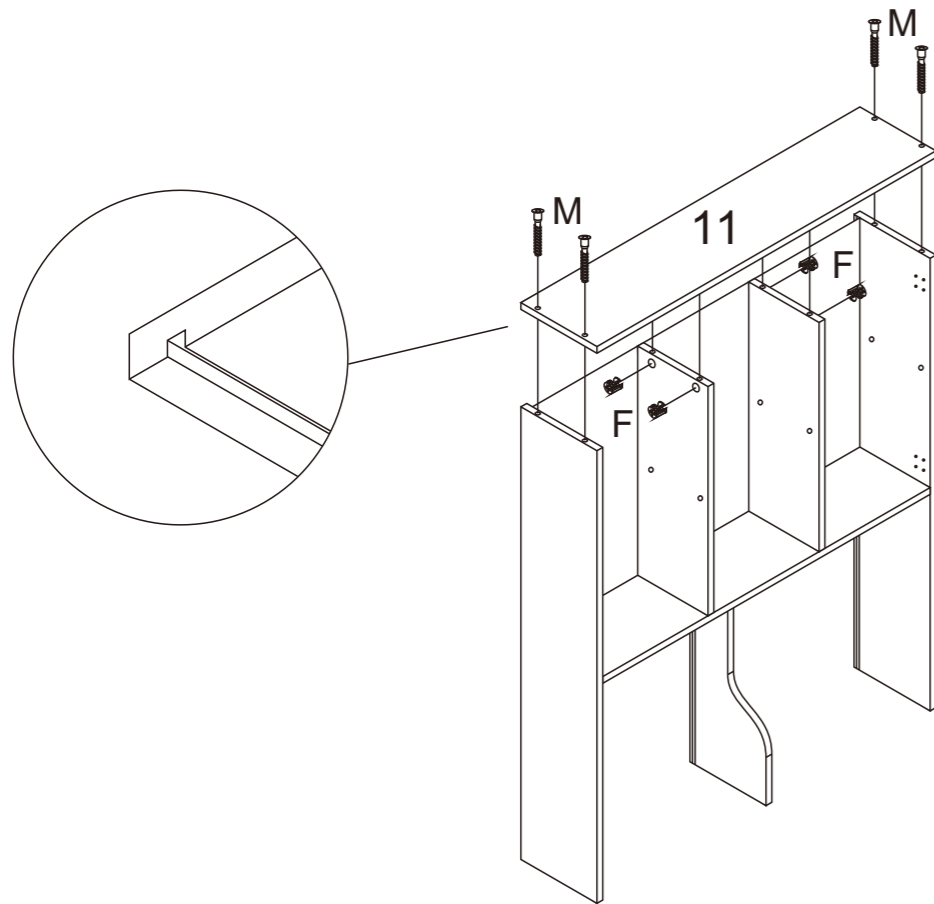
05





07

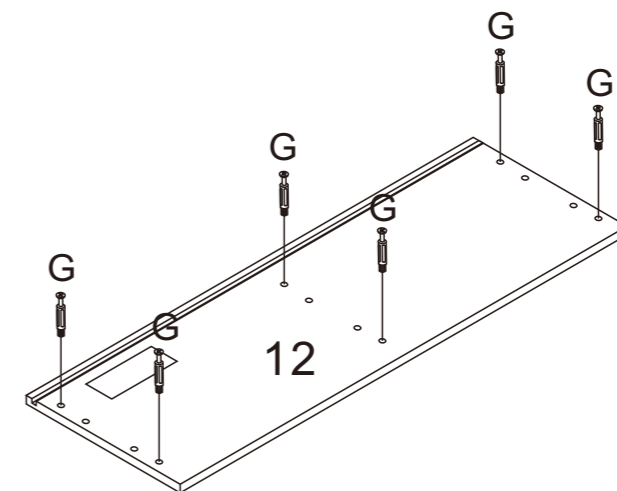


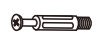
06



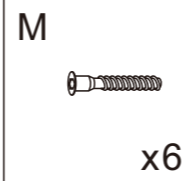
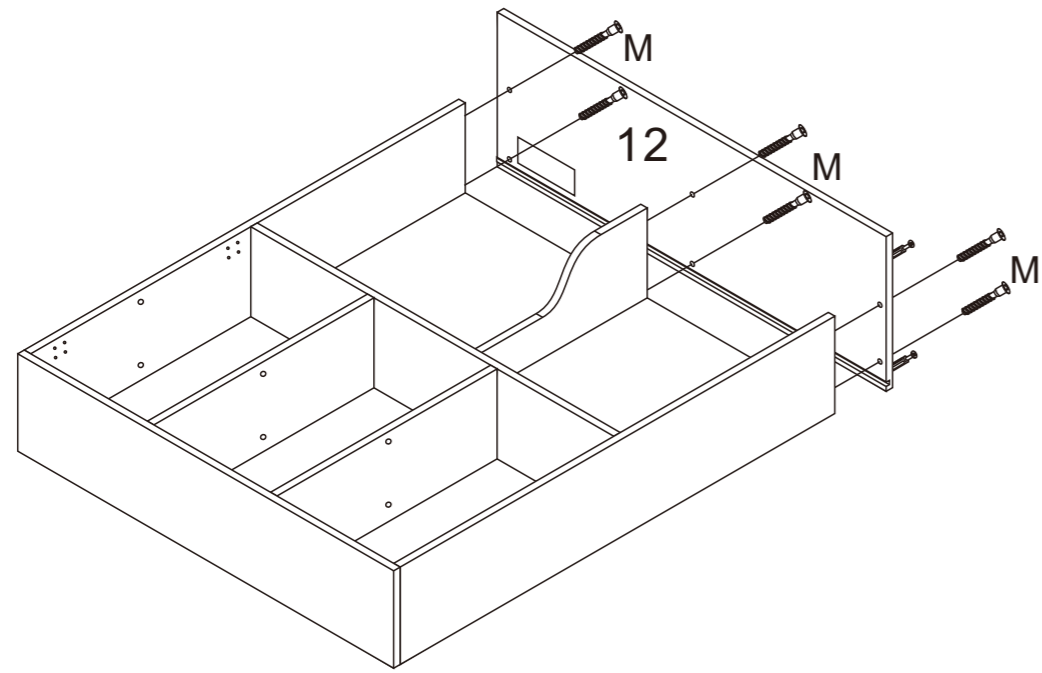
<p>F</p>  <p>15mm</p> <p>x4</p>	<p>M</p>  <p>x4</p>
--	--

08

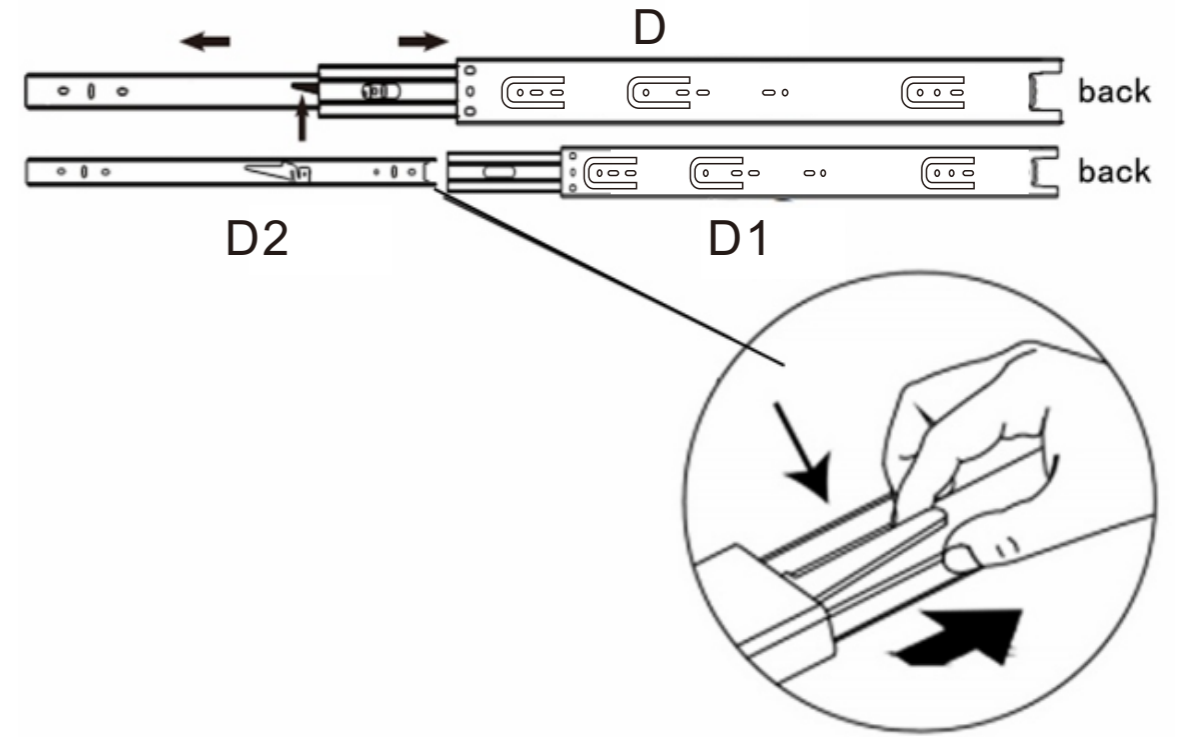


<p>G</p>  <p>40mm</p> <p>x6</p>
--

09

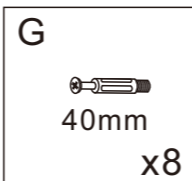
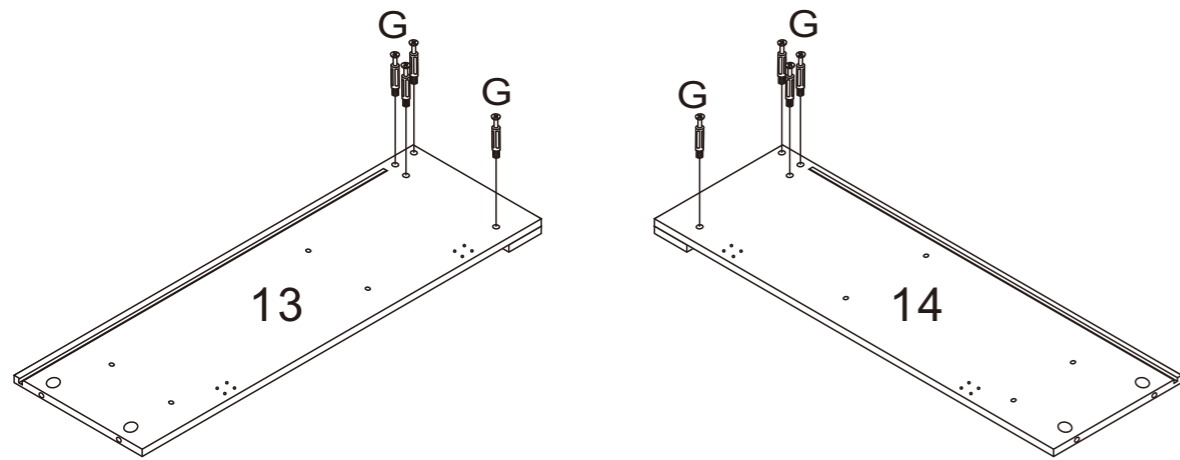


11

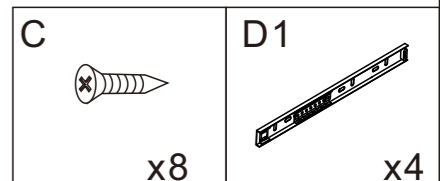
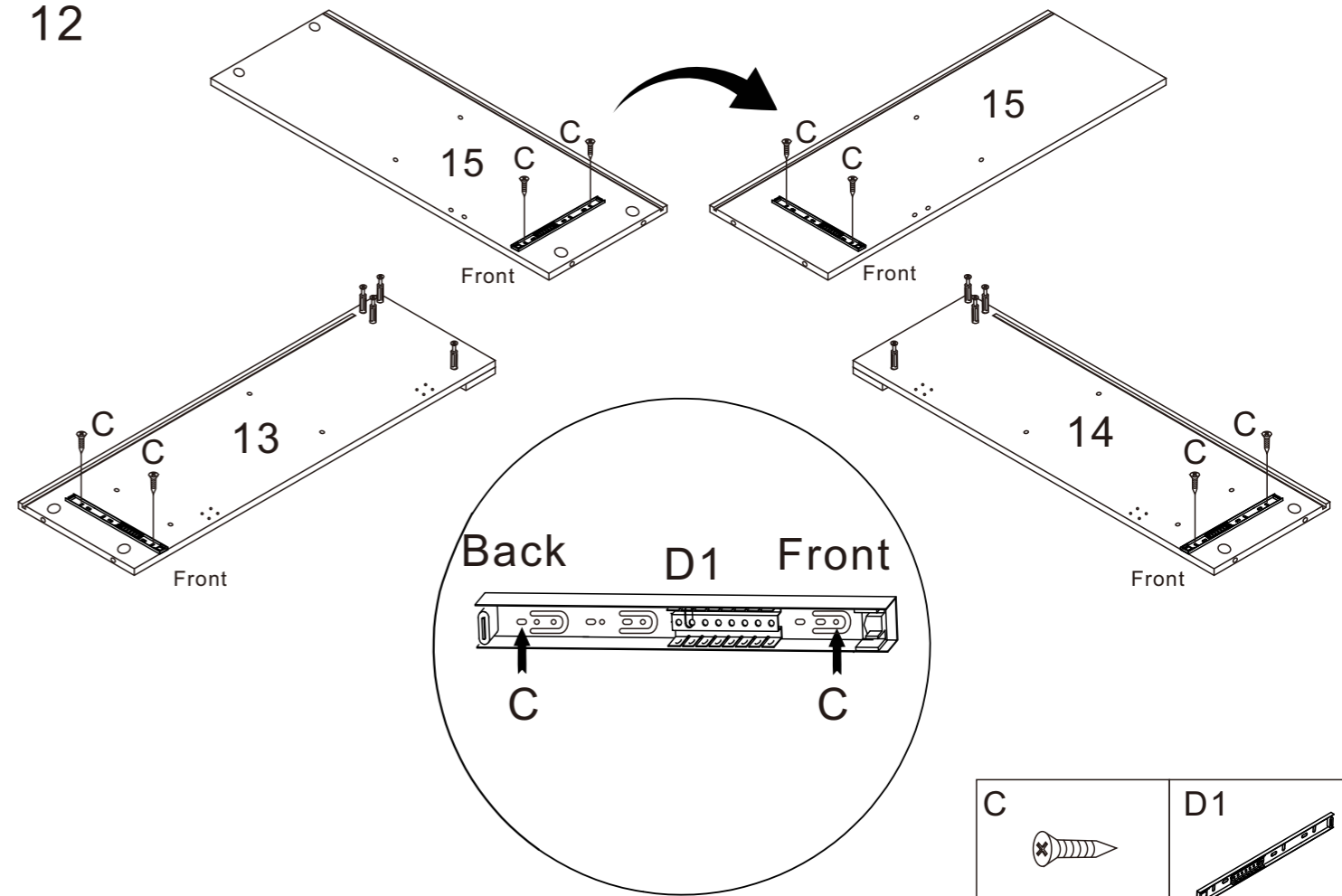


Warm Reminder: Press it and split

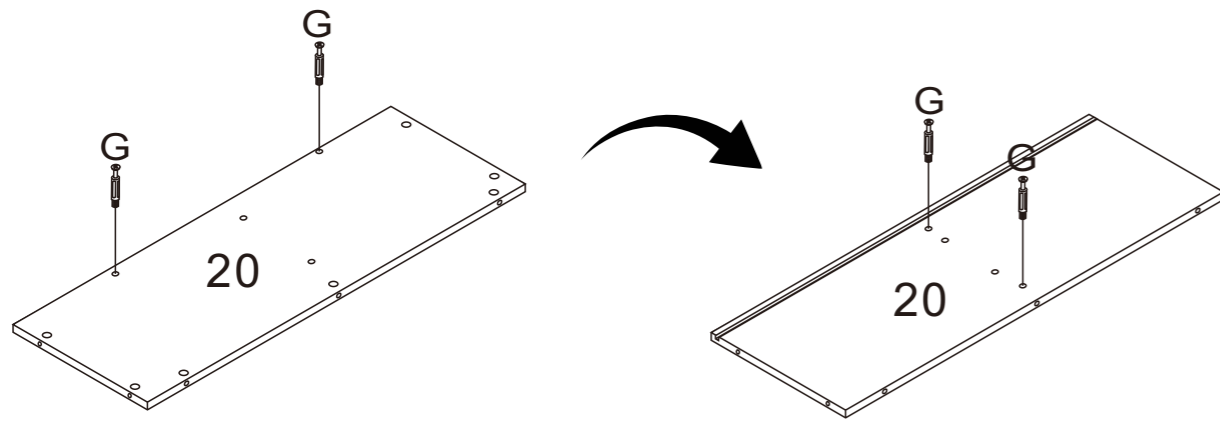
10




12

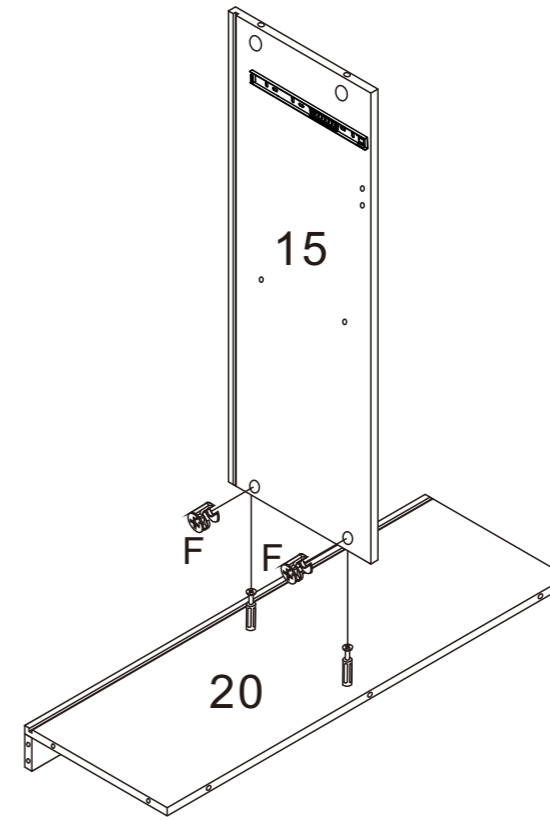



13



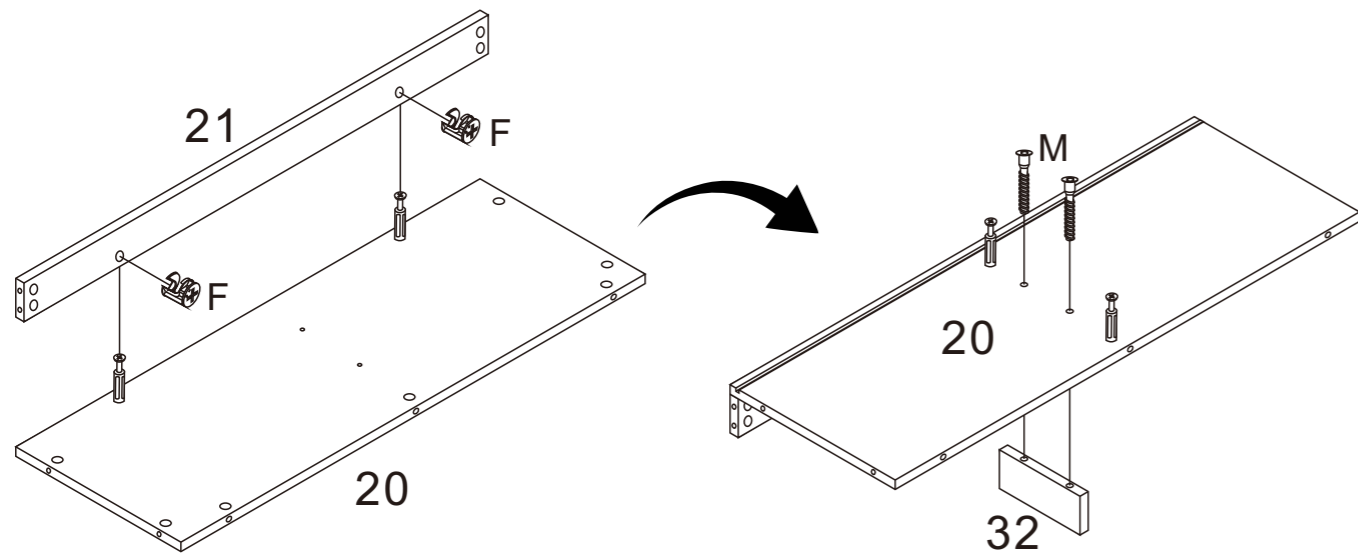
G

 40mm
 x4


15




F

 15mm
 x2

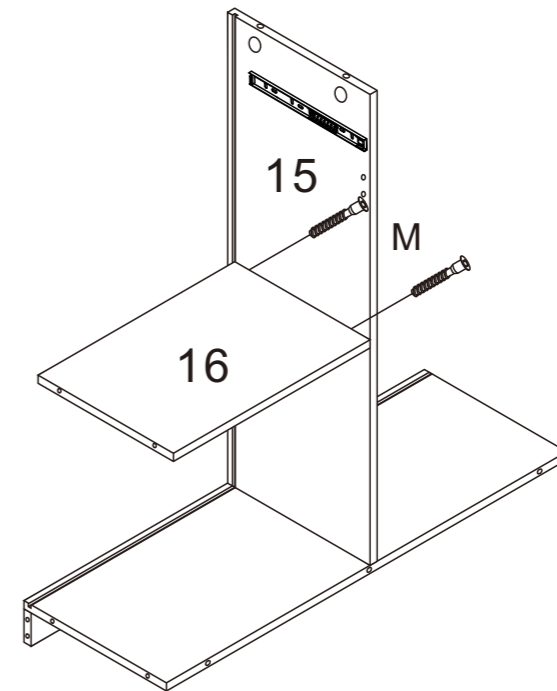
14




M

 x2

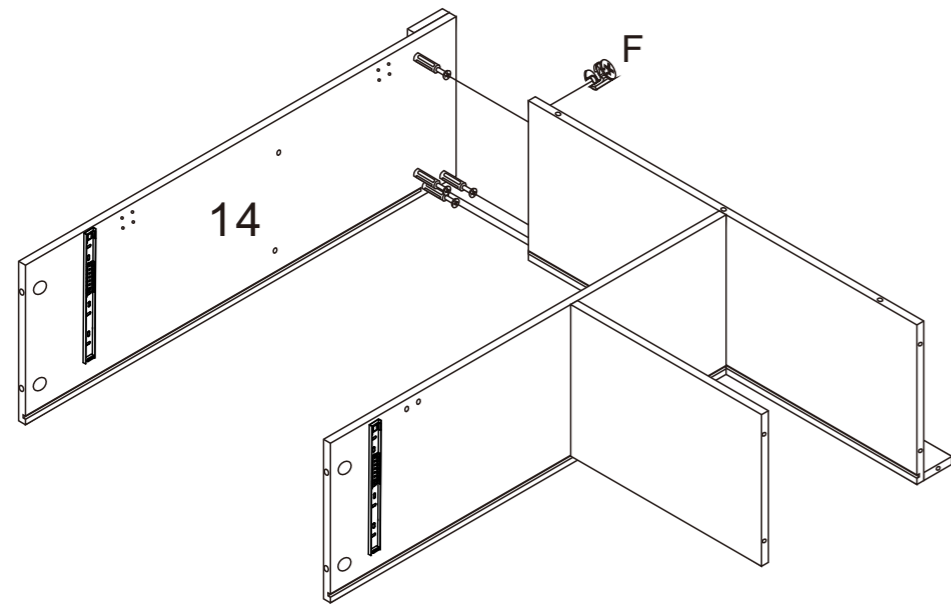
F

 15mm
 x2


16



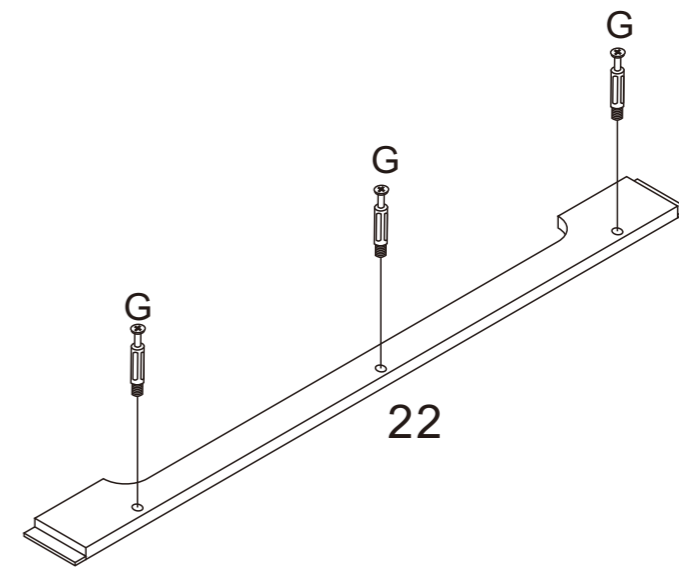
M

 x2


17



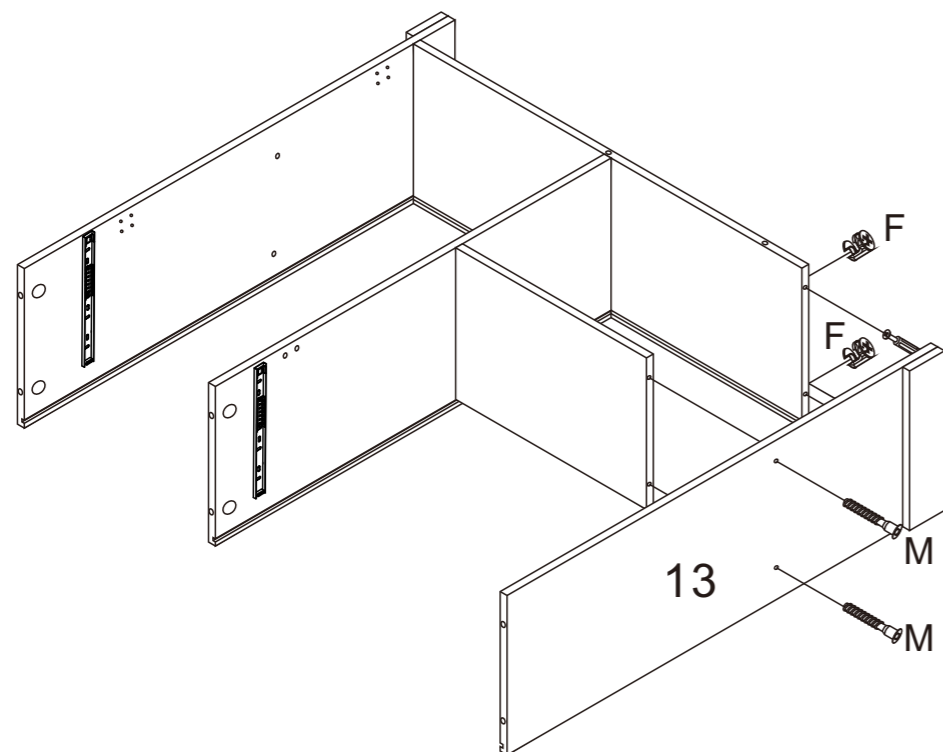
F

 15mm
 x4


19




G

 40mm
 x3

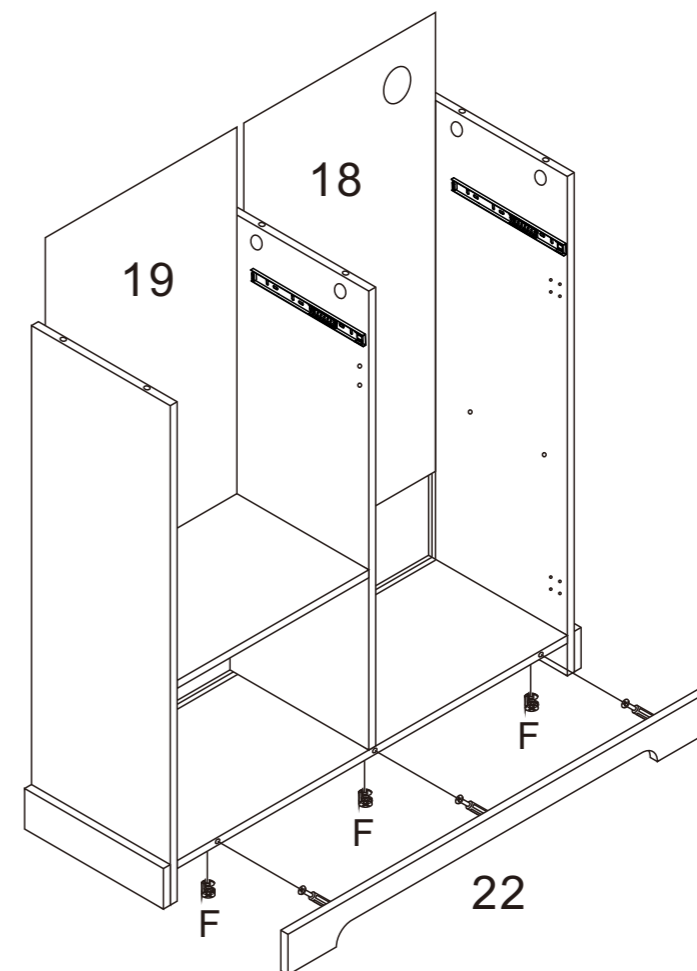
18




M

 x2

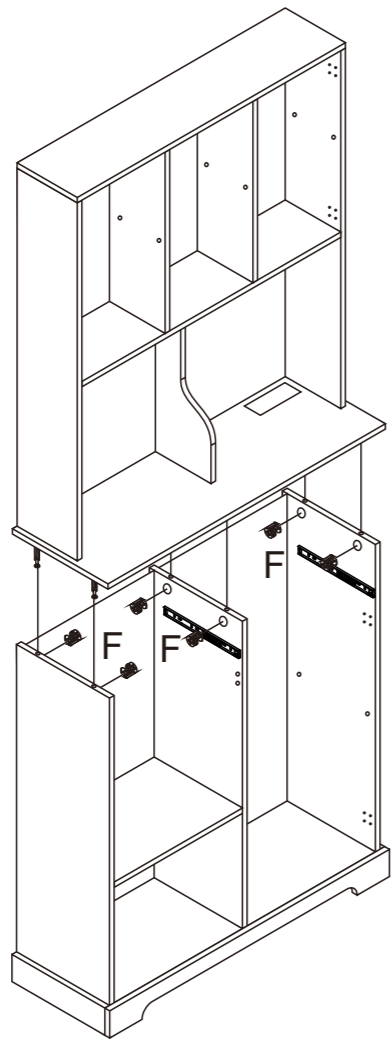
F

 15mm
 x4


20



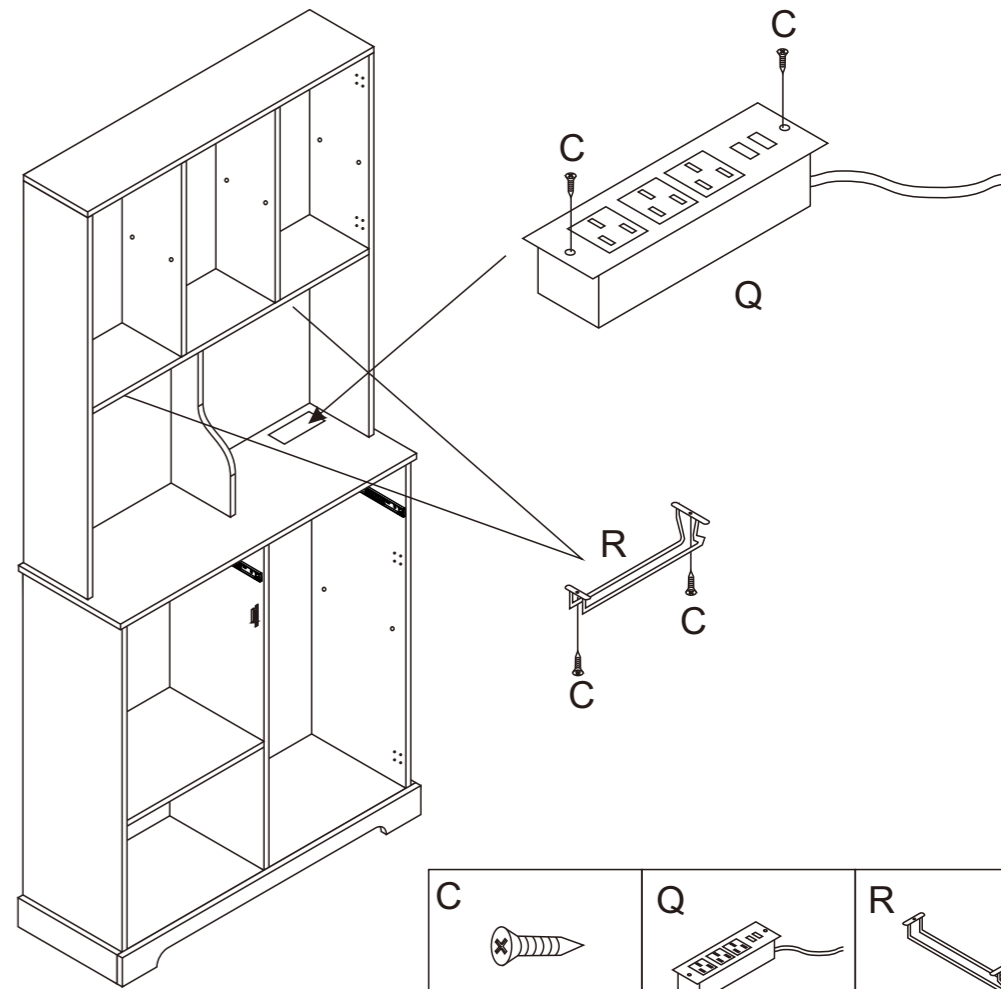
F

 15mm
 x3



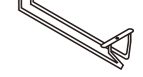
21



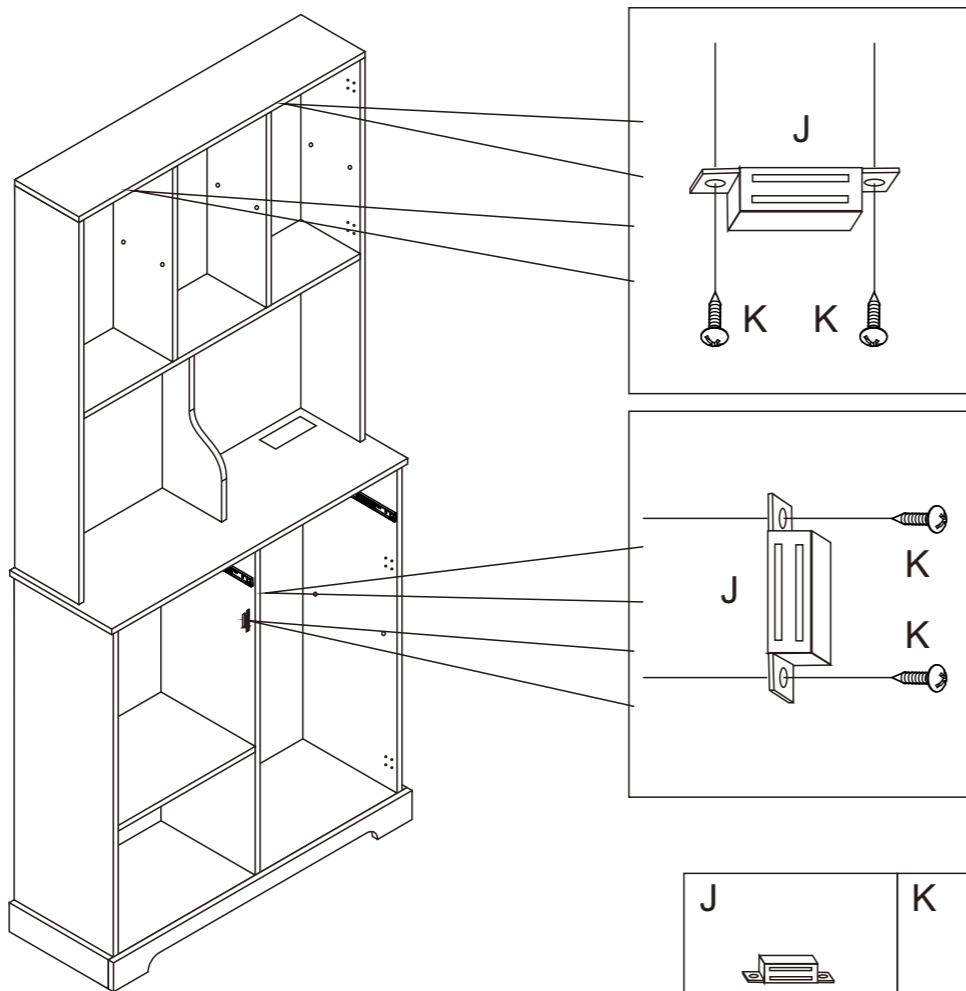
F

 15mm
 x6



23



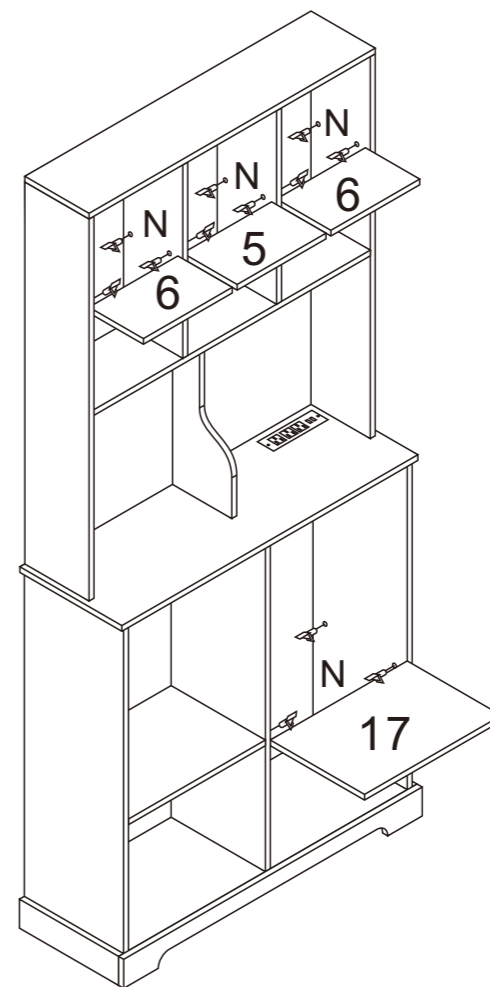
<p>C  x6</p>	<p>Q  x1</p>	<p>R  x2</p>
---	---	---


22



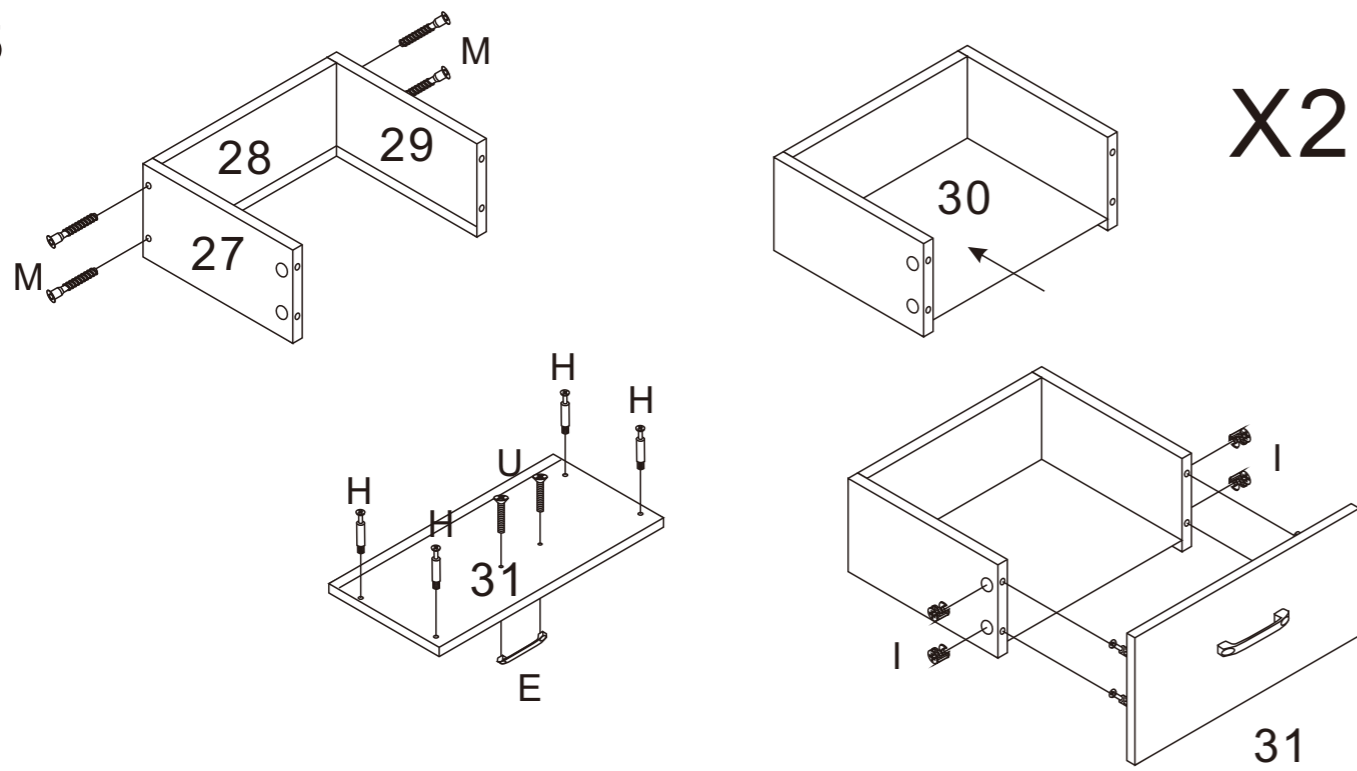
<p>J  x4</p>	<p>K  x8</p>
---	---

24



N

 x16

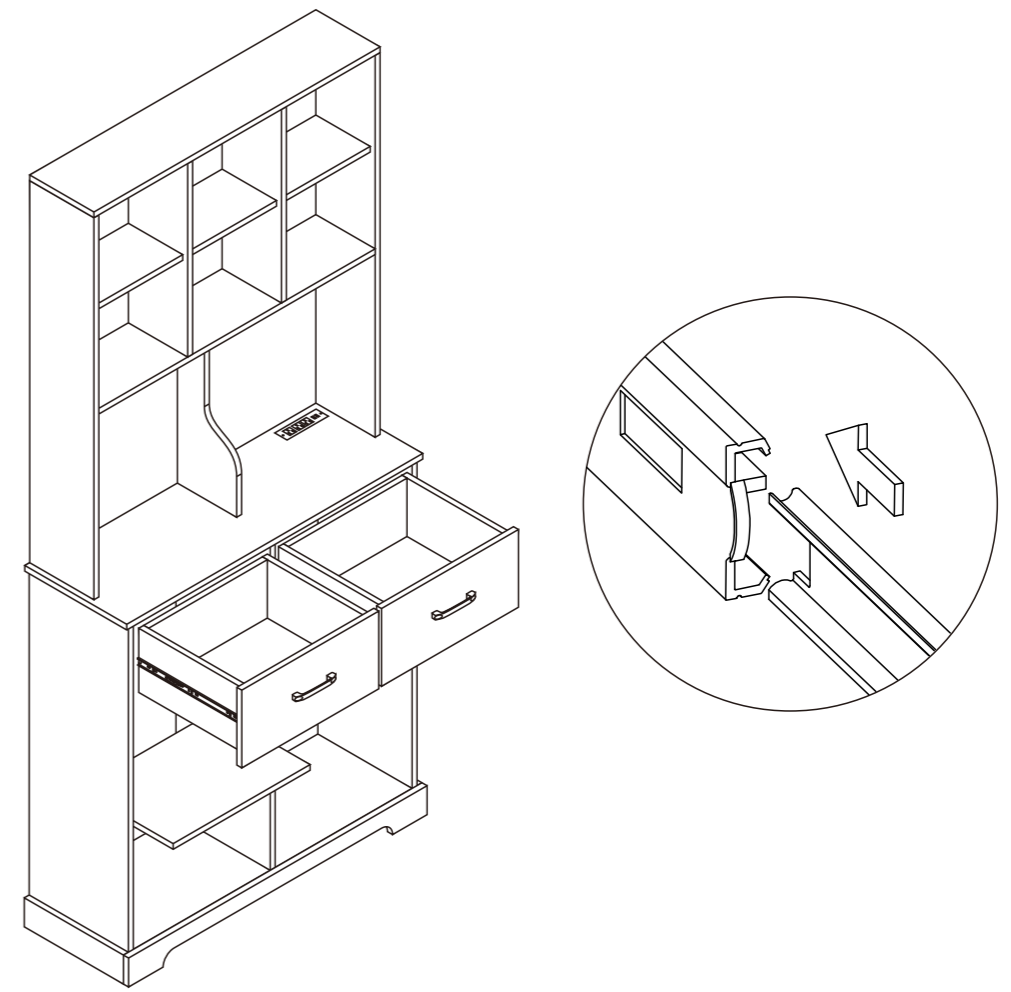
25



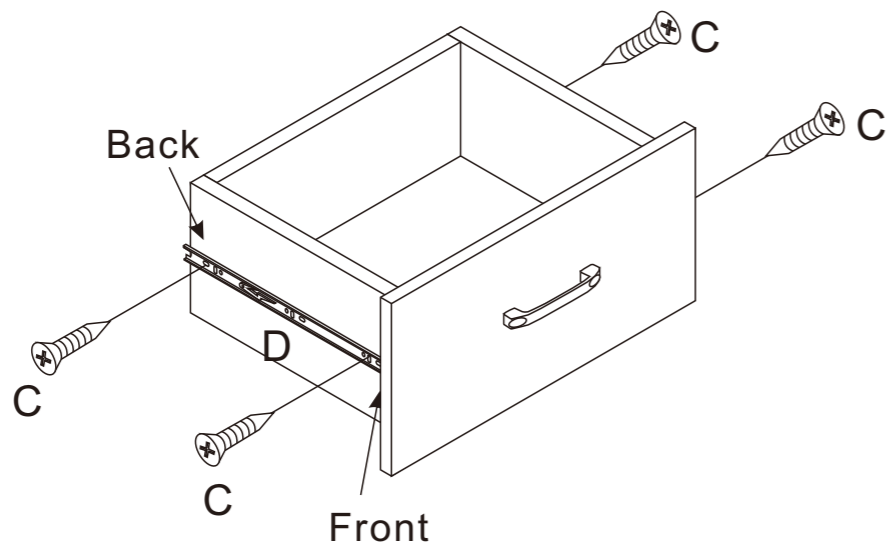
X2

H 27mm x8	I 12mm x8	M x8	E x2	U x4
-----------------	-----------------	---------	---------	---------

27



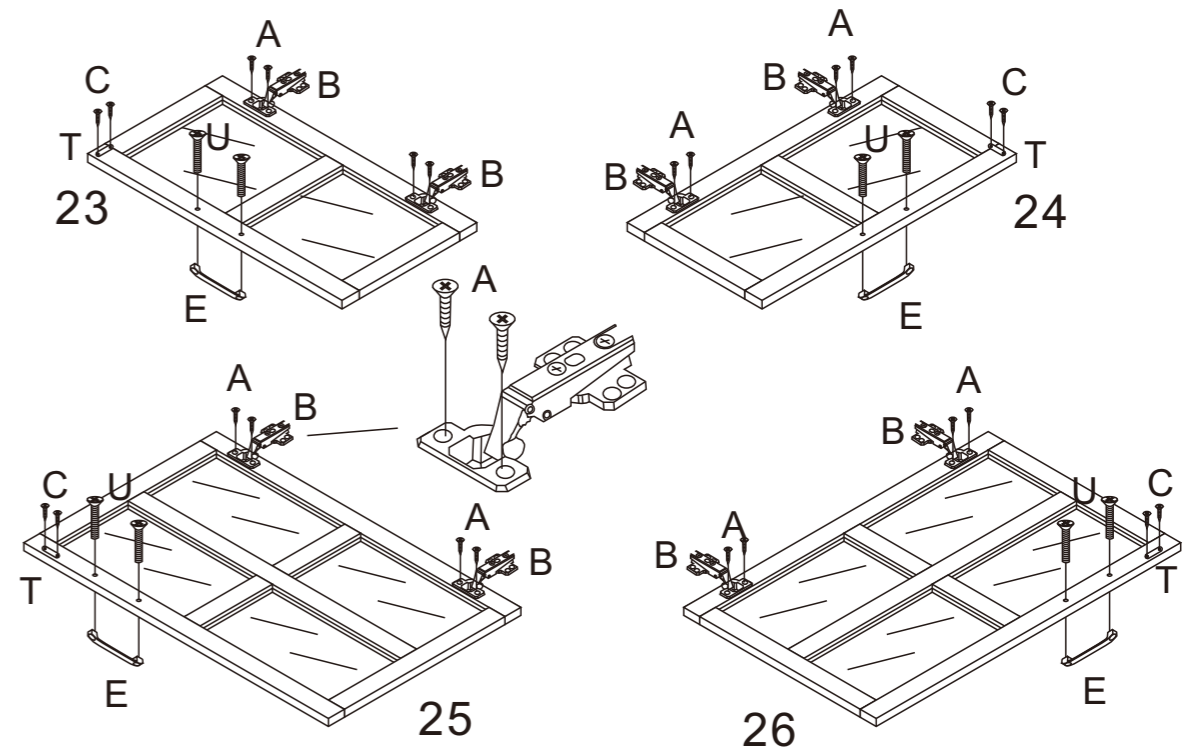
26



X2

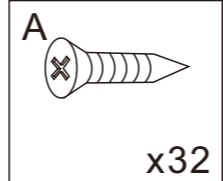
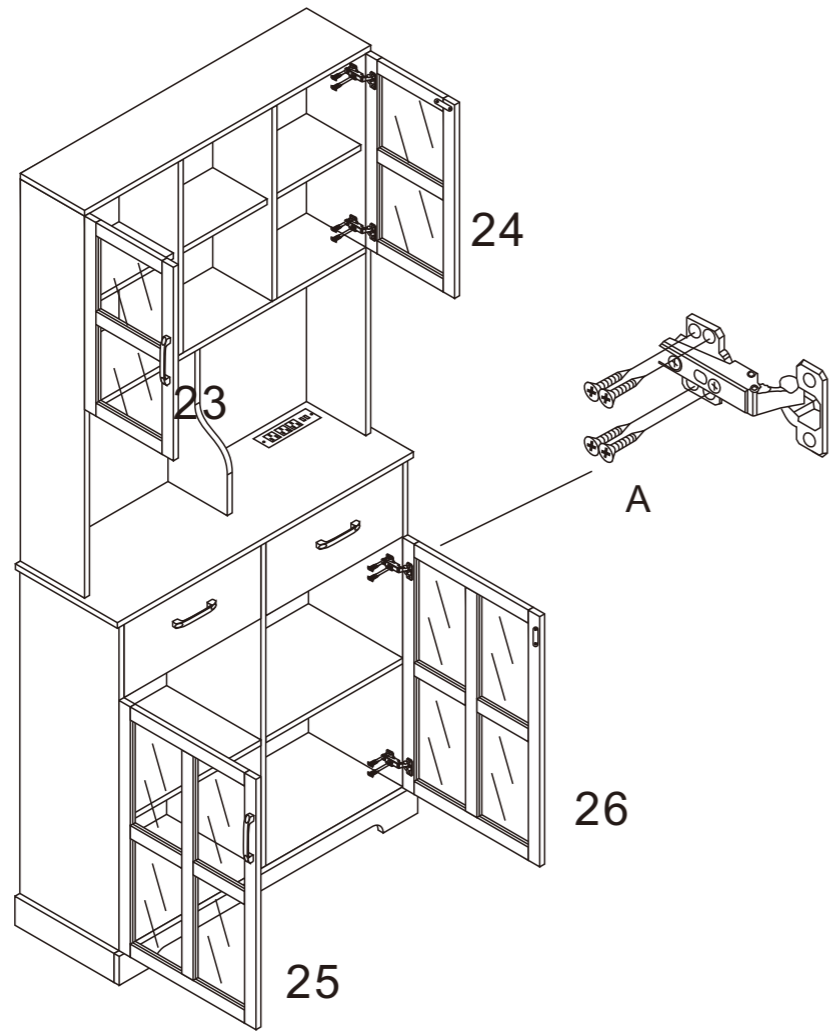
C x8	D2 x4
---------	----------

28



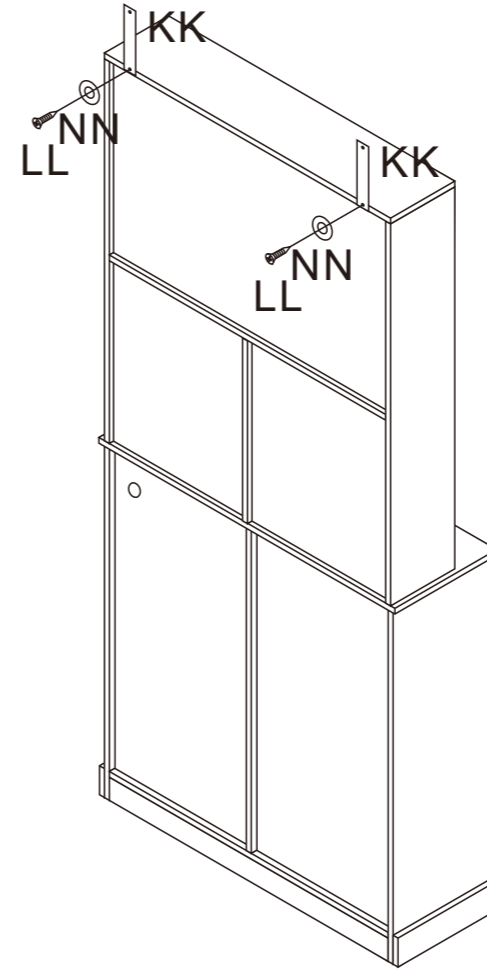
A x16	B x8	E x4	U x8	C x8	T x4
----------	---------	---------	---------	---------	---------




29



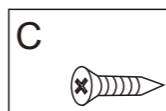
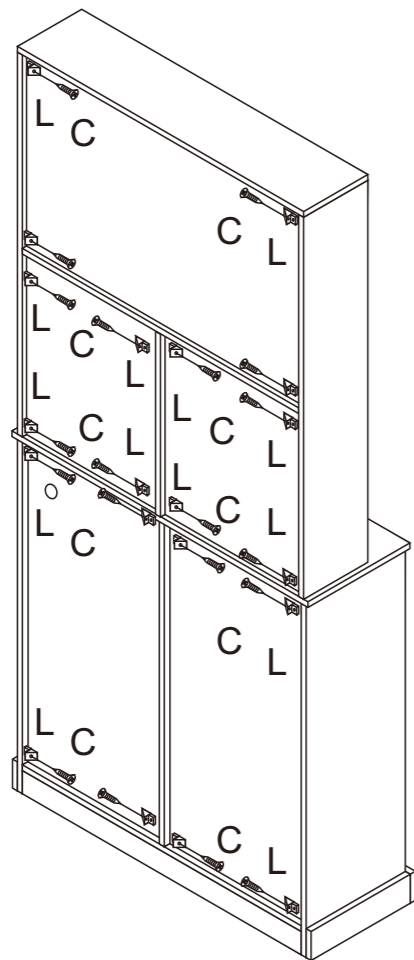
x32

31



KK 	LL 	NN 
x2	x2	x2

30

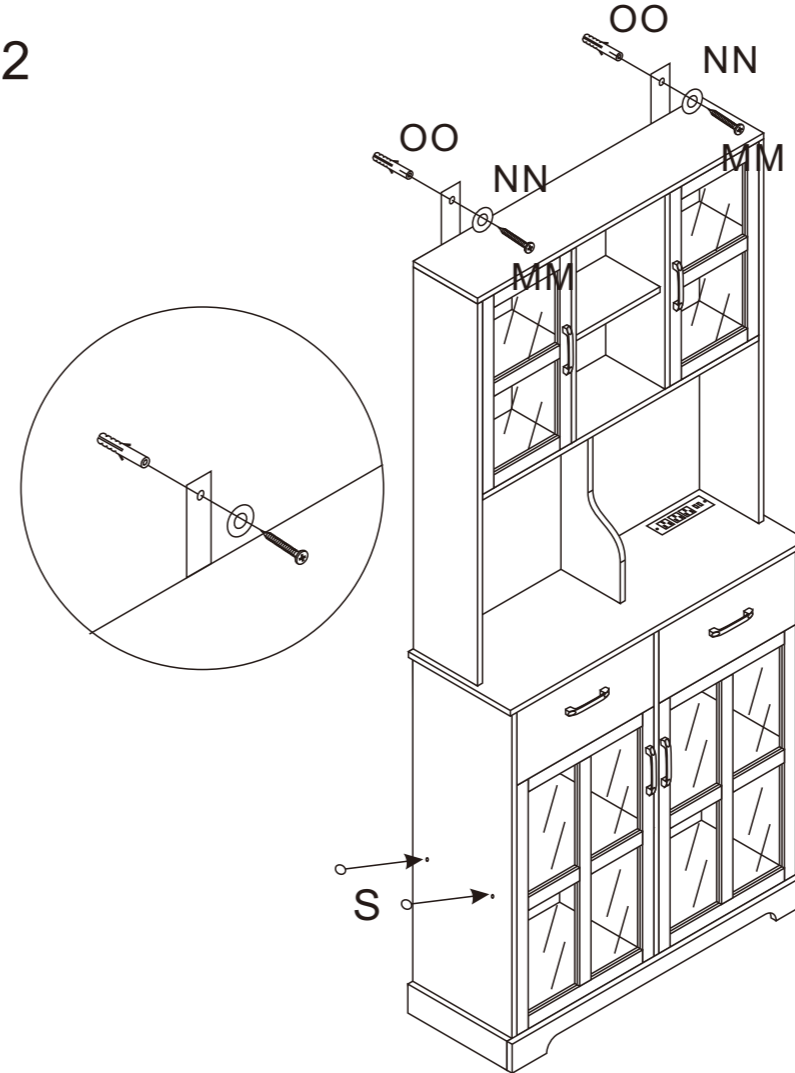






x20



x20

32



S 	OO 
x2	x2
NN 	MM 
x2	x2