

ASSEMBLY INSTRUCTIONS



CONNECT-IT COMPUTER DESK

ASSEMBLY INSTRUCTIONS

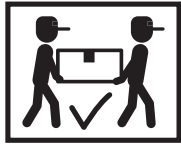
ASSEMBLY TIPS:

1. Remove hardware from box and sort by size.
2. Please check to see that all hardware and parts are present prior to start of assembly.
3. Please follow attached instructions in the same sequence as numbered to assure fast & easy assembly.



WARNING!

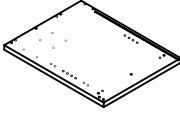
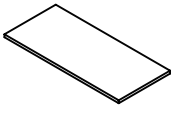
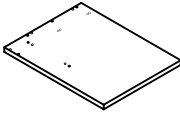
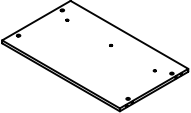
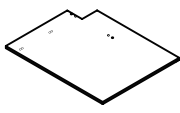
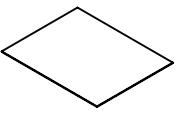
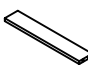
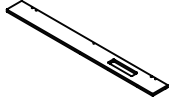
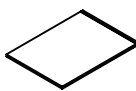

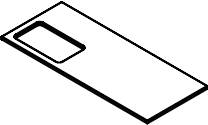
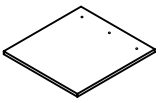
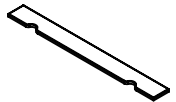
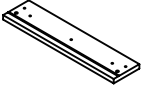
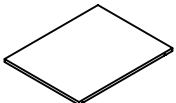
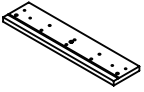
1. Don't attempt to repair or modify parts that are broken or defective. Please contact the store immediately.
2. This product is for home use only and not intended for commercial establishments.



ASSEMBLY TIME

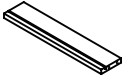
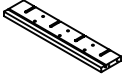
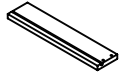

90 MINUTES


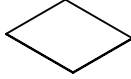
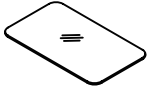
PARTS IDENTIFICATION

A	LEFT SIDE PANEL		1 PC	I	KEYBOARD SHELF		1 PC
B	RIGHT SIDE PANEL		1 PC	J	BACK PANEL		1 PC
C	MIDDLE DIVIDER PANEL		1 PC	K	BACK PANEL		1 PC
D	CROSS BRACE		1 PC	L	BACK BOARD		1 PC
E	BOTTOM PANEL		1 PC	M	BACK PANEL		1 PC
F	LARGE TOP PANEL		1 PC	N	DOOR		1 PC
G	SMALL TOP PANEL		1 PC	O	LOWER DRAWER FRONT PANEL		1 PC
H	ADJUSTABLE SHELF		1 PC	P	UPPER DRAWER FRONT PANEL		1 PC

NOTE:

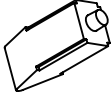

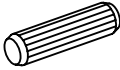

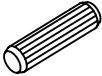




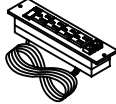






Phillips head screw driver is required in the assembly process; however, manufacturer does not provide this item.

Q	LOWER DRAWER BACK PANEL		1 PC
R	UPPER DRAWER BACK PANEL		1 PC
S	LEFT DRAWER SIDE PANEL		2 PCS
T	RIGHT DRAWER SIDE PANEL		2 PCS

U	DRAWER SUPPORT		3 PCS
V	DRAWER BOTTOM PANEL		2 PCS
W	TOP GLASS		1 PC

Z

HARDWARE IDENTIFICATION

NO	DESCRIPTION	FIGURE	Q'TY	NO	DESCRIPTION	FIGURE	Q'TY
1	GLUE 40g		1 PC	9	SCREW Ø 4x15mm		18 PCS
2	LARGE WOODEN DOWEL Ø 8x30mm		32 PCS	10	PIN Ø 4.9x8mm		4 PCS
3	SMALL WOODEN DOWEL Ø 6x25mm		12 PCS	11	HANDLE L=400mm		3 PCS
4	CAM LOCK Ø 15x12mm		20 PCS	12	BOLT Ø 4x23mm		9 PCS
5	CAM BOLT Ø 7x35.5mm		20 PCS	13	POWER OUTLET		1 PC
6	SCREW Ø 3x12mm		24 PCS	14	HINGE		2 PCS
7	SCREW Ø 4.5x42mm		6 PCS	15	HINGE		2 PCS
8	SCREW Ø 4.3x35mm		8 PCS	16	RAIL L = 350mm		2 SET

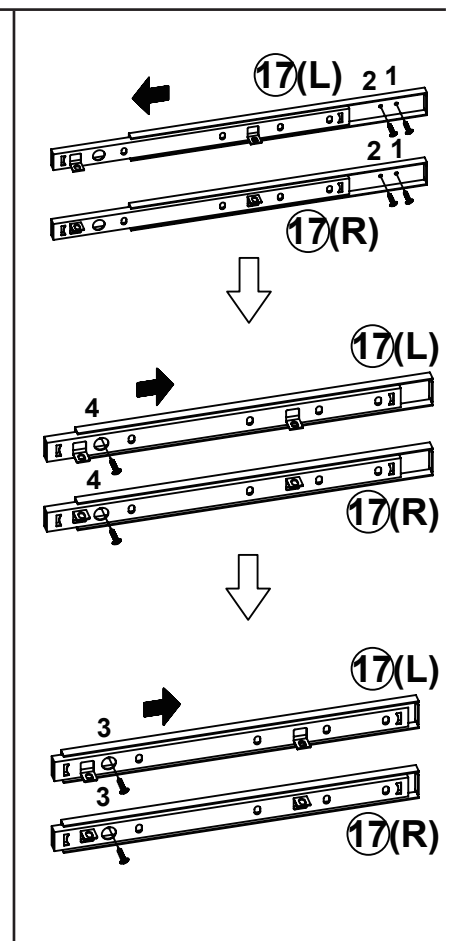
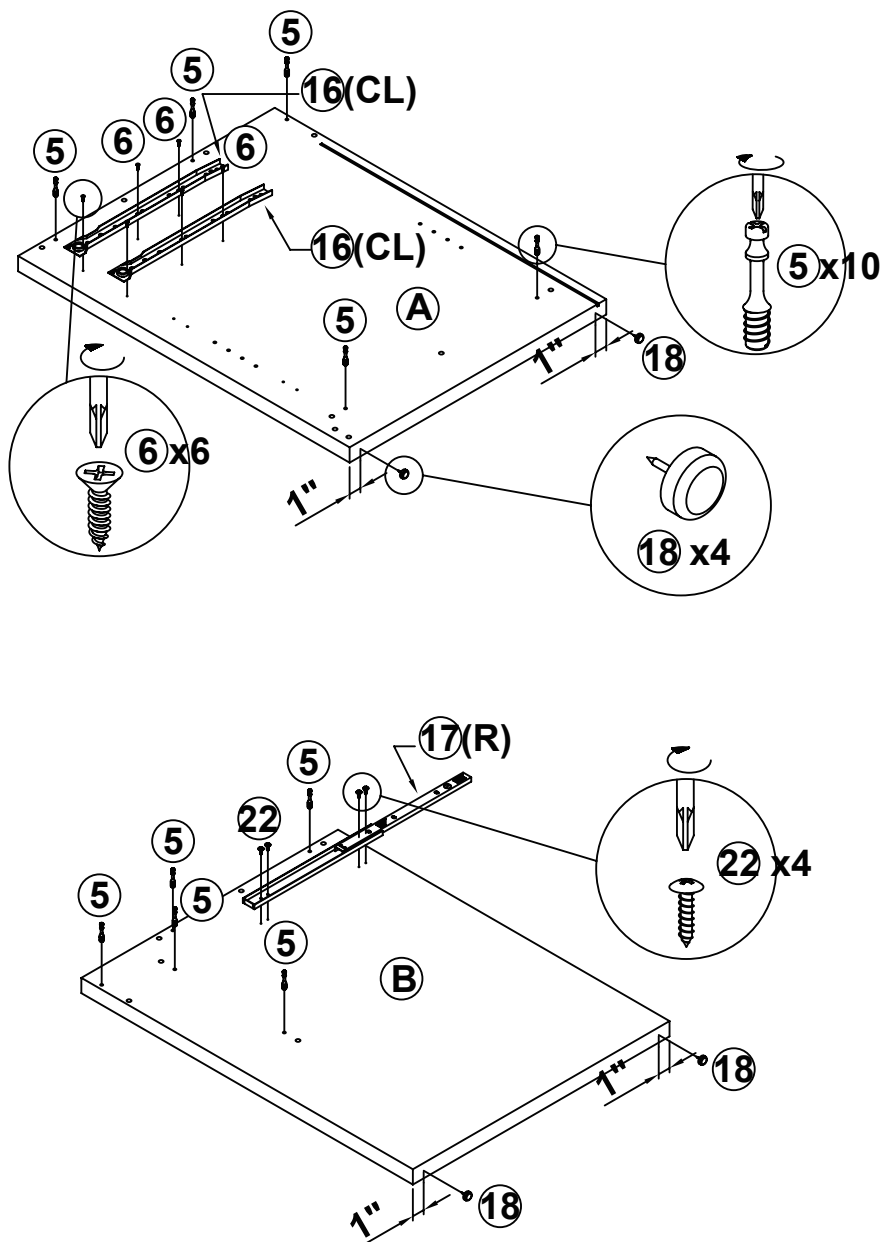
NOTE:

Phillips head screw driver is required in the assembly process; however, manufacturer does not provide this item.

NO	DESCRIPTION	FIGURE	Q'TY	NO	DESCRIPTION	FIGURE	Q'TY
17	RAIL L = 300mm		1 SET	20	STICKER Ø 20mm		4 PCS
18	PLASTIC FEET Ø 15mm		6 PCS	21	DOOR CATCH		1 PC
19	SCREW DRIVER		1 PC	22	SCREW Ø 3.5x14.5mm		12 PCS

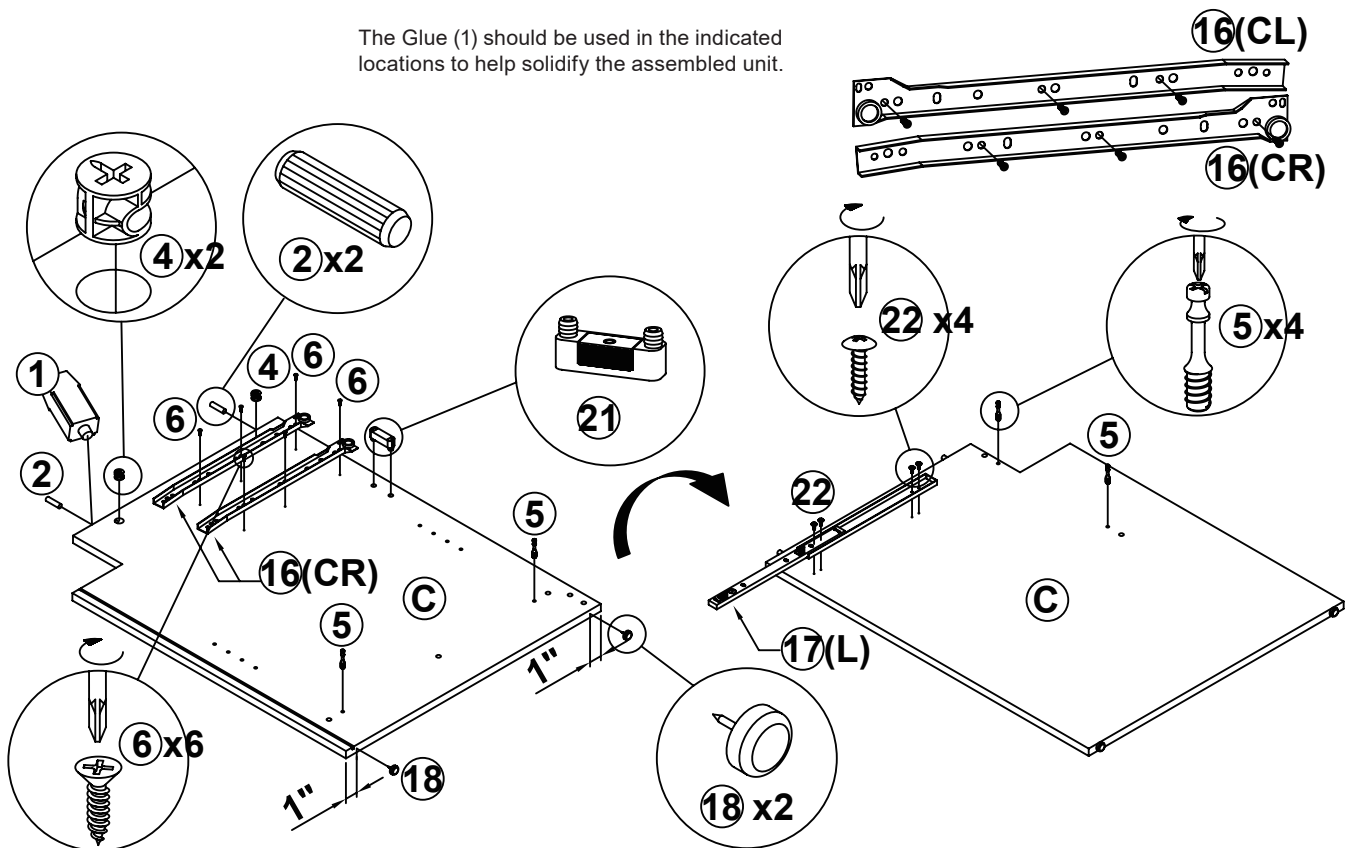
Z11,Z12,Z13,Z14,Z15,Z16,Z17,Z22 not included in blister packaging.

STEP 1

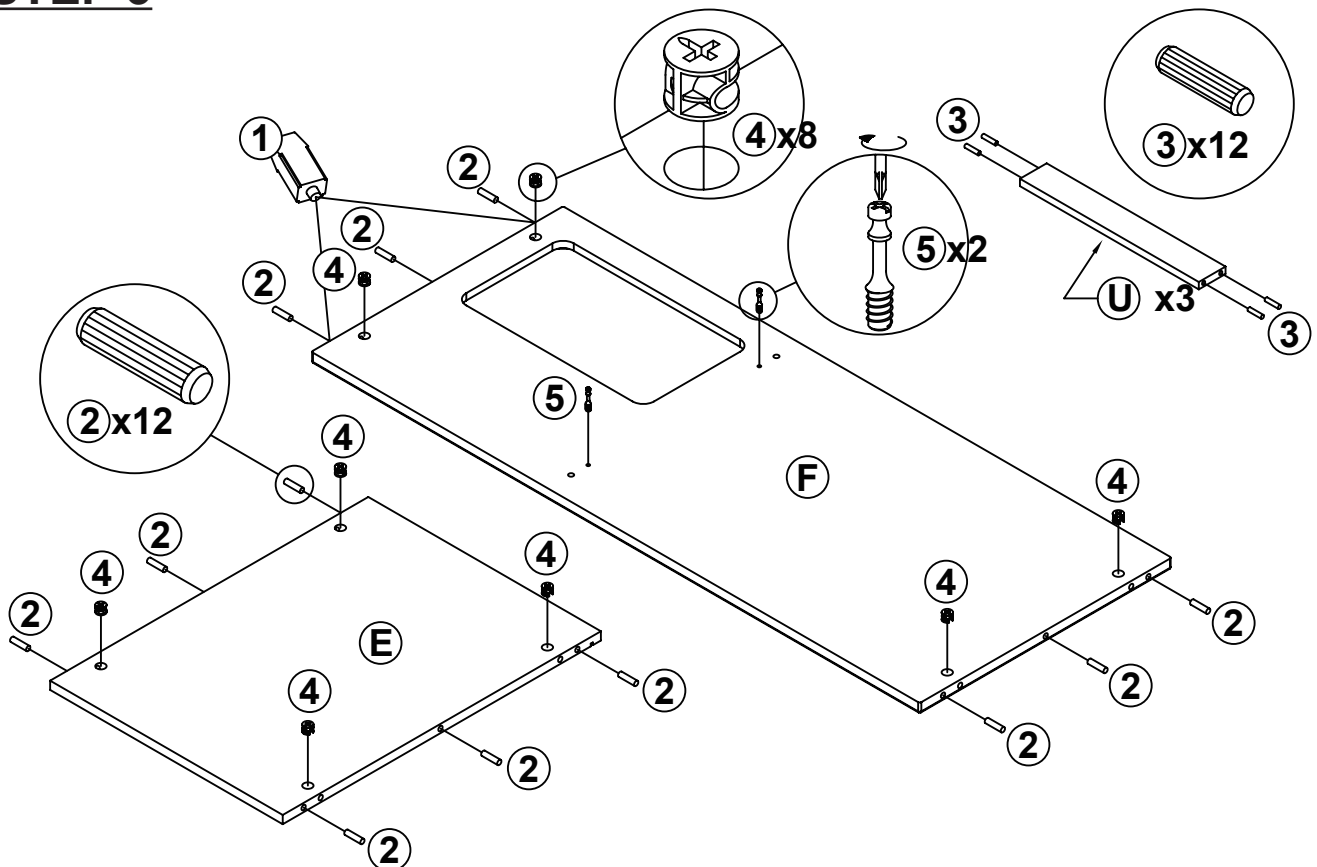


STEP 2

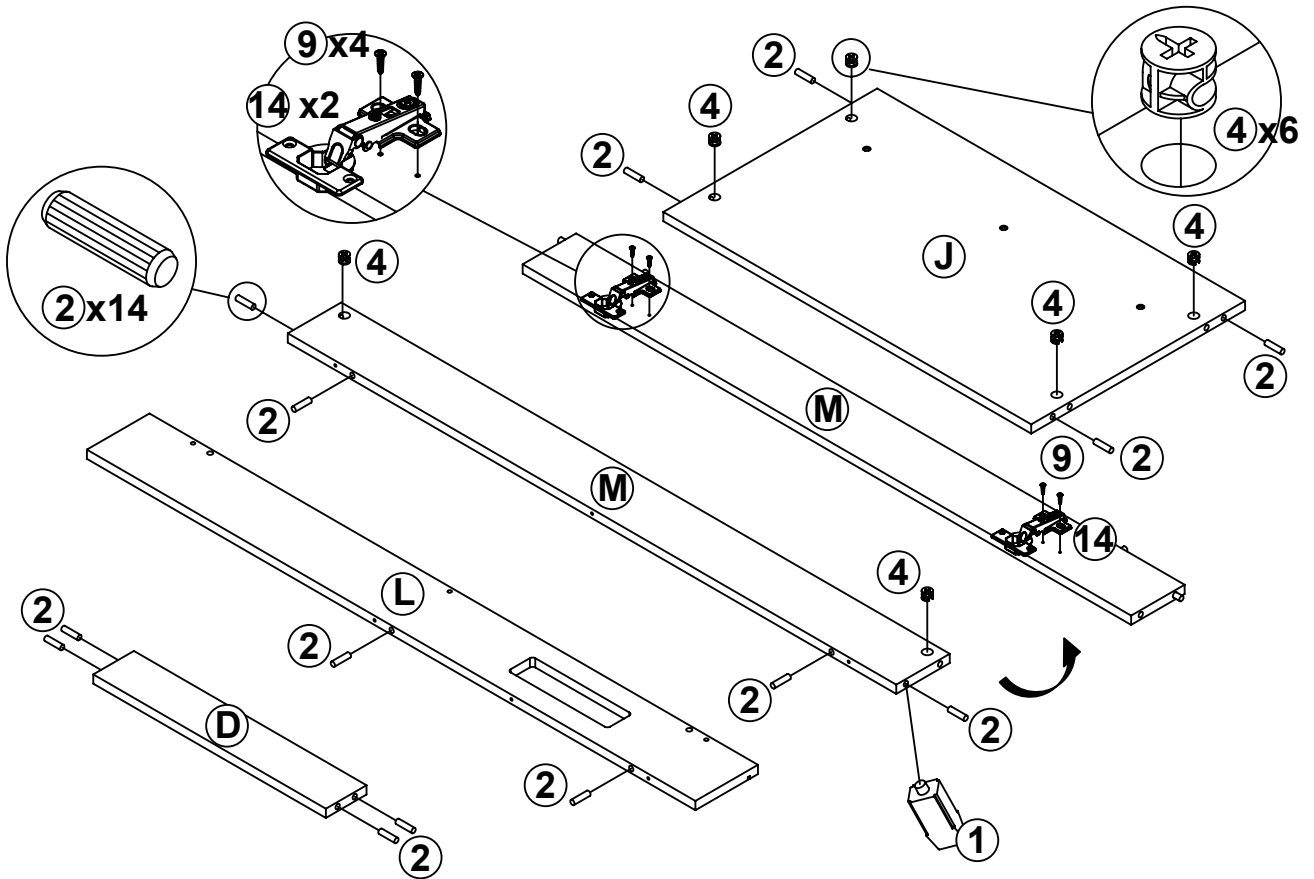
The Glue (1) should be used in the indicated locations to help solidify the assembled unit.



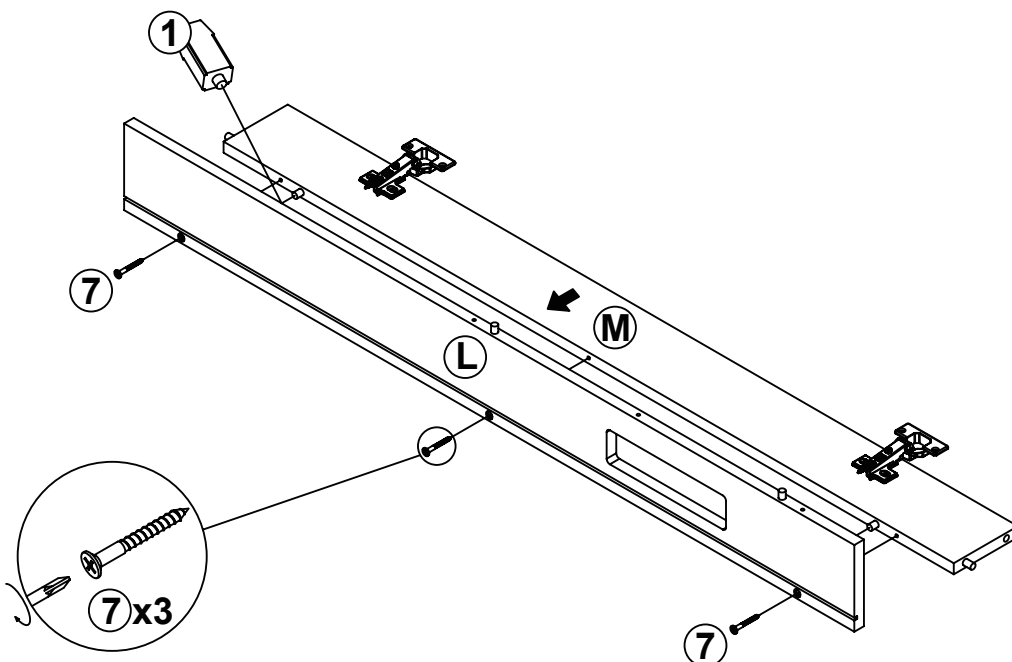
STEP 3



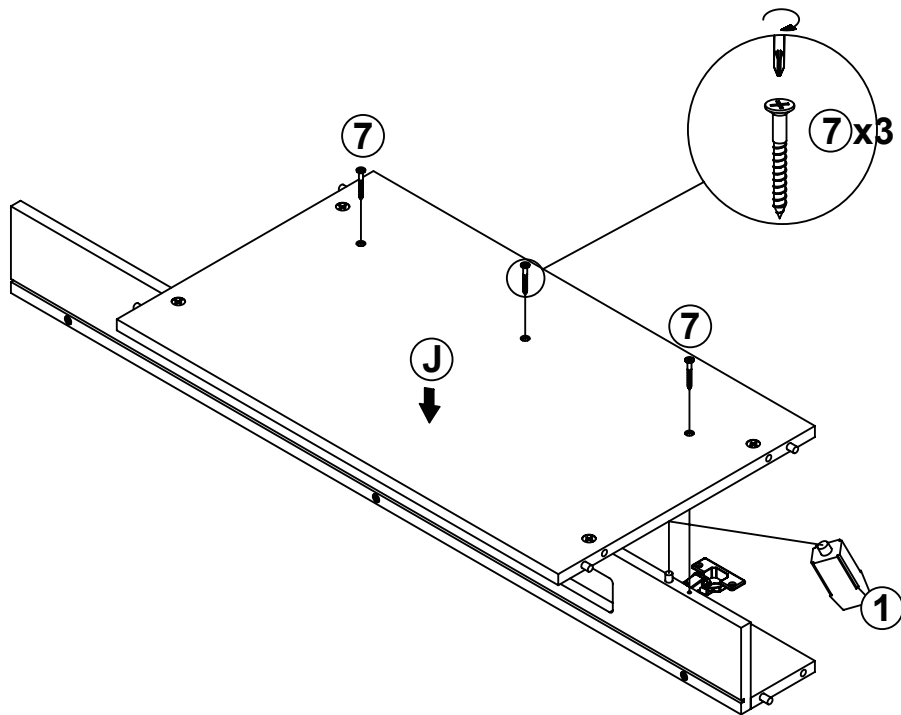
STEP 4



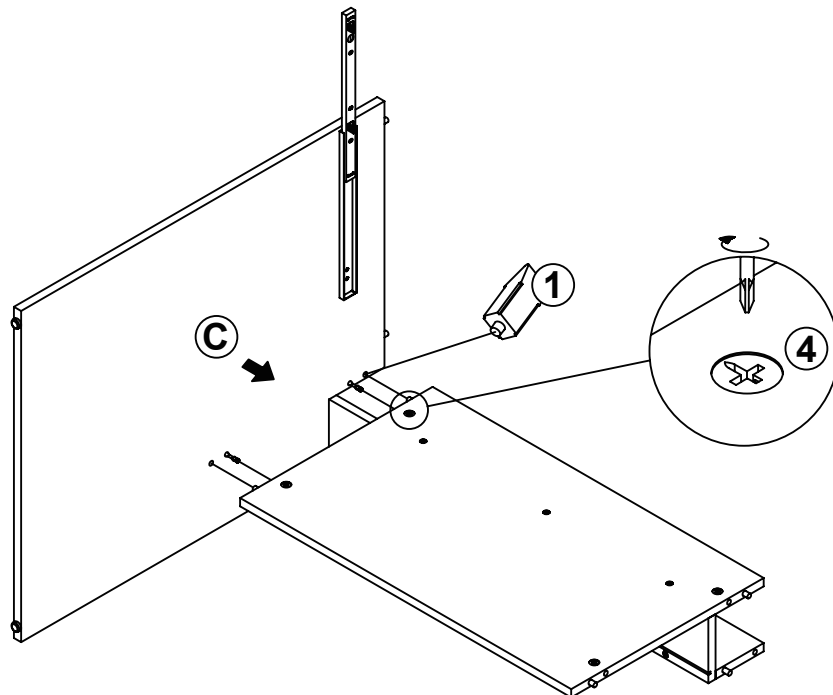
STEP 5



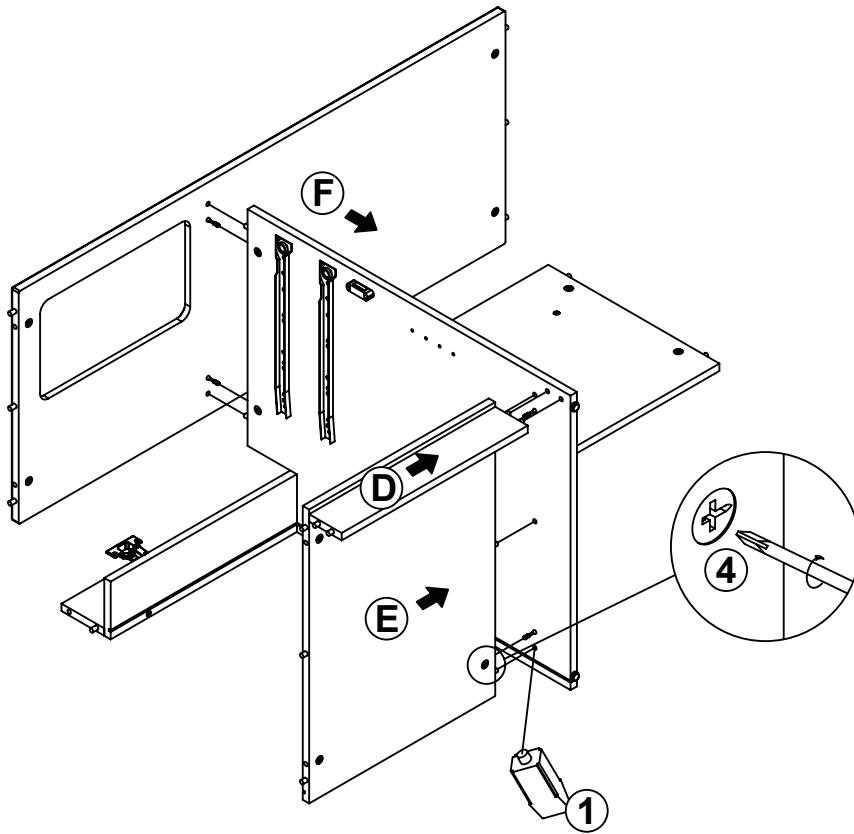
STEP 6



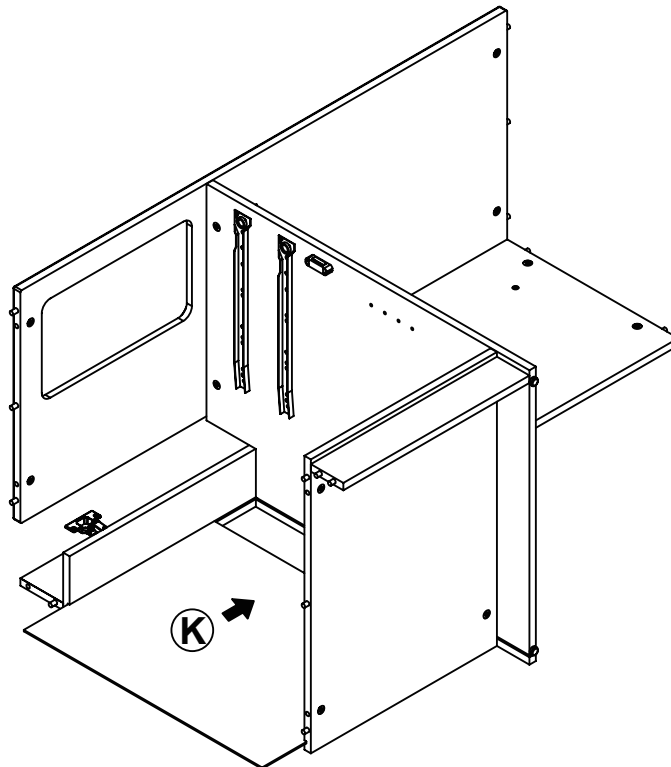
STEP 7



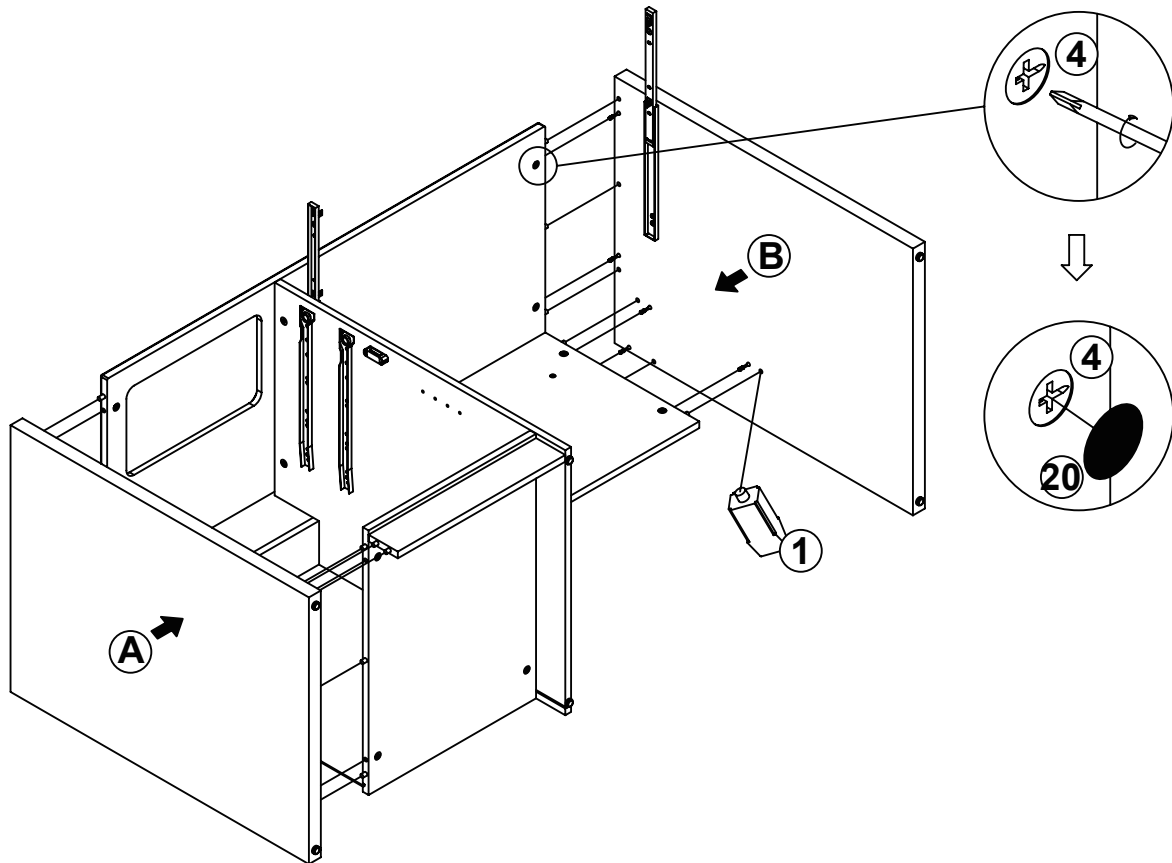
STEP 8



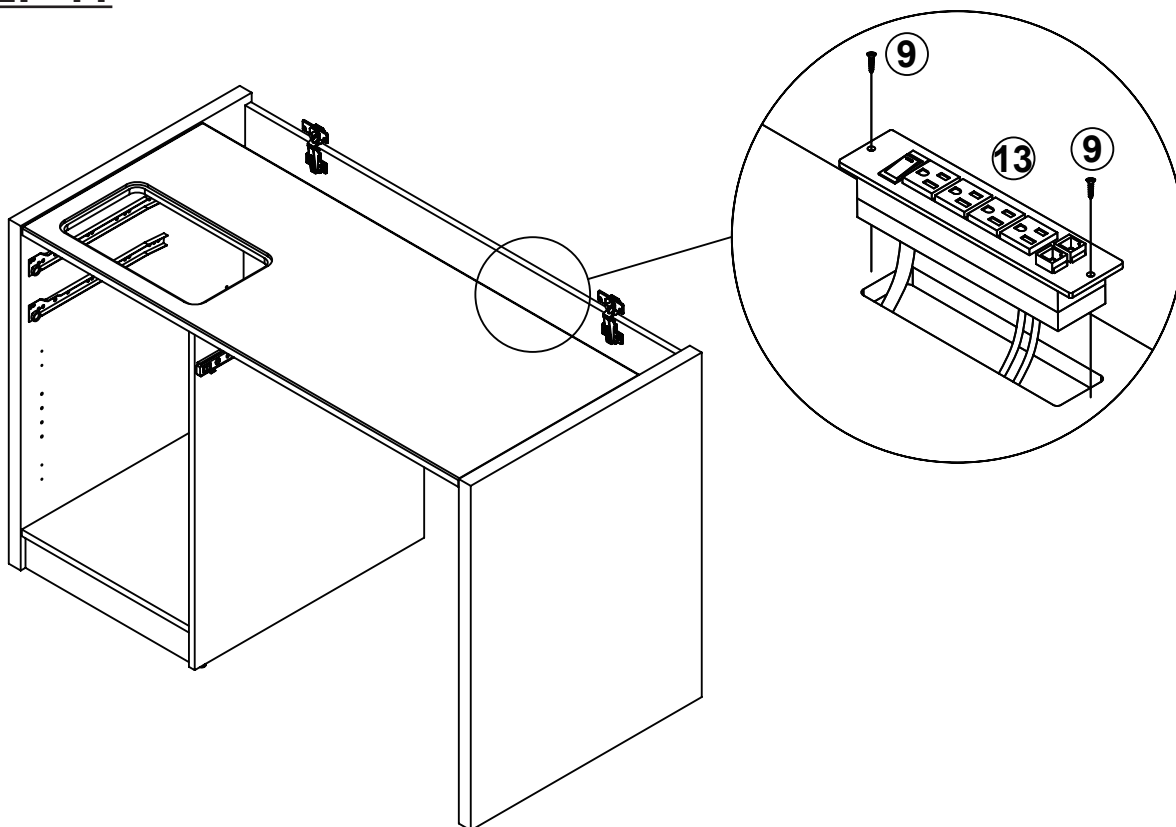
STEP 9



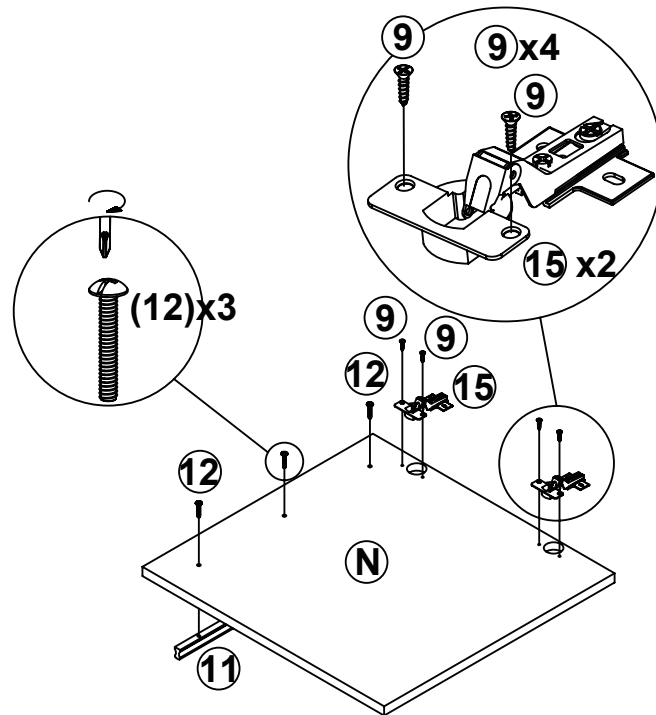
STEP 10



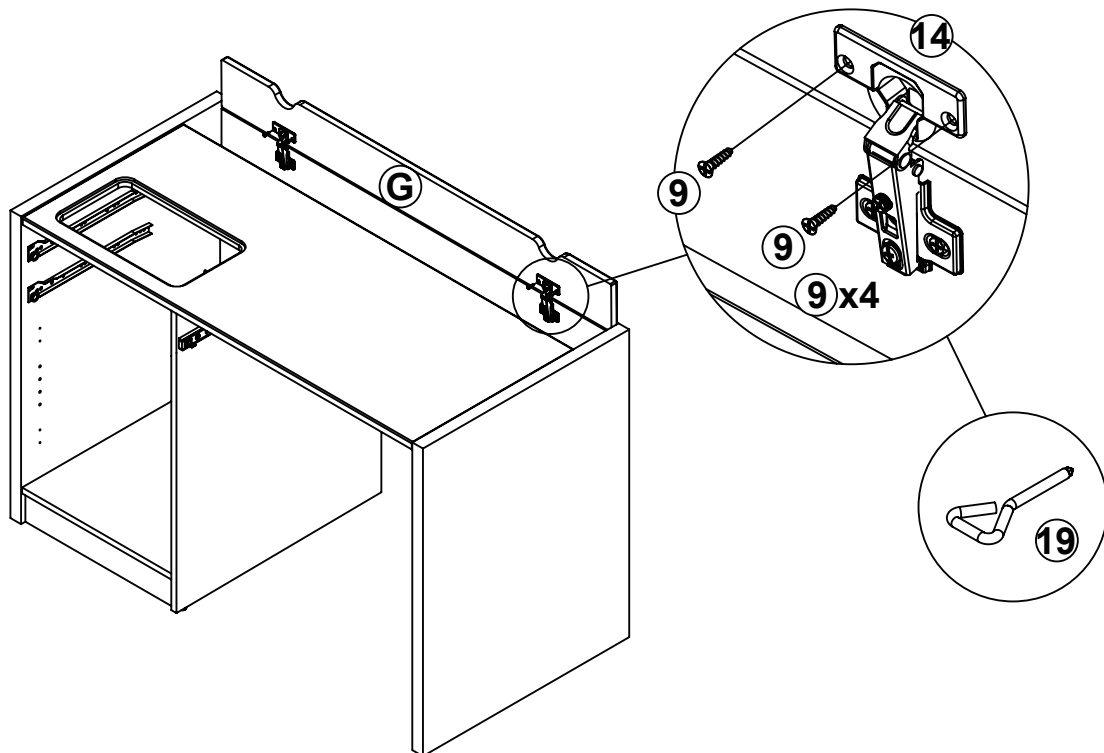
STEP 11



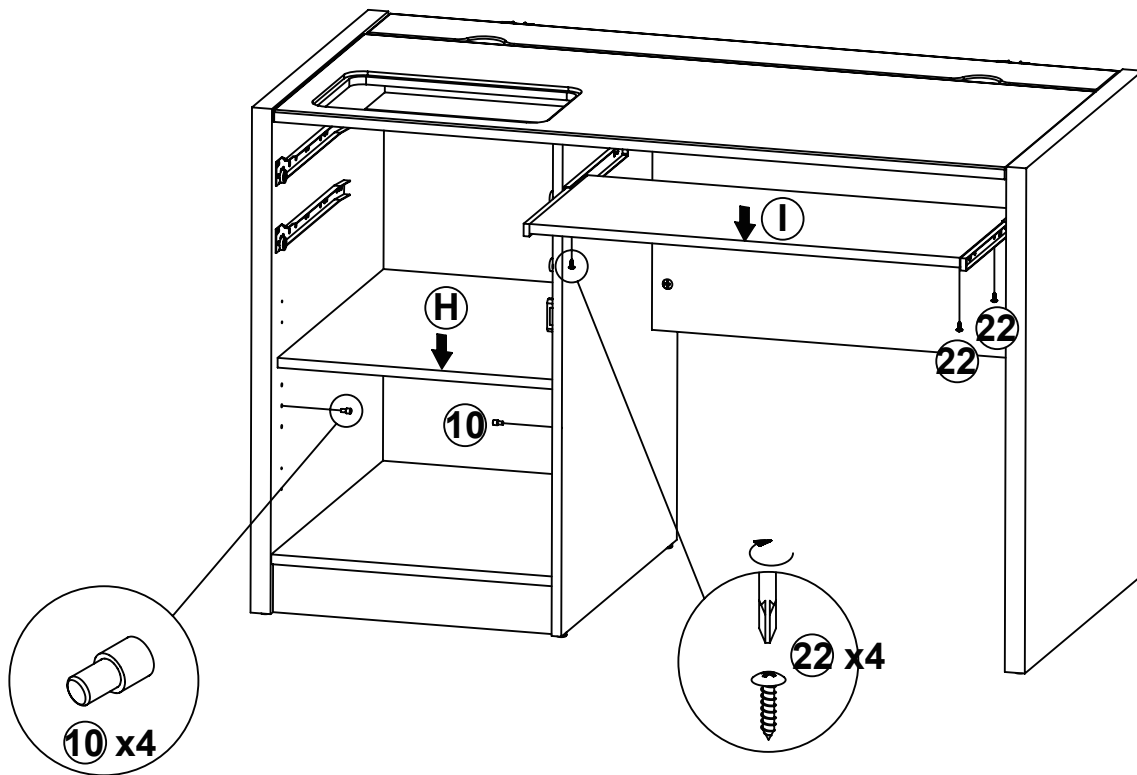
STEP 12



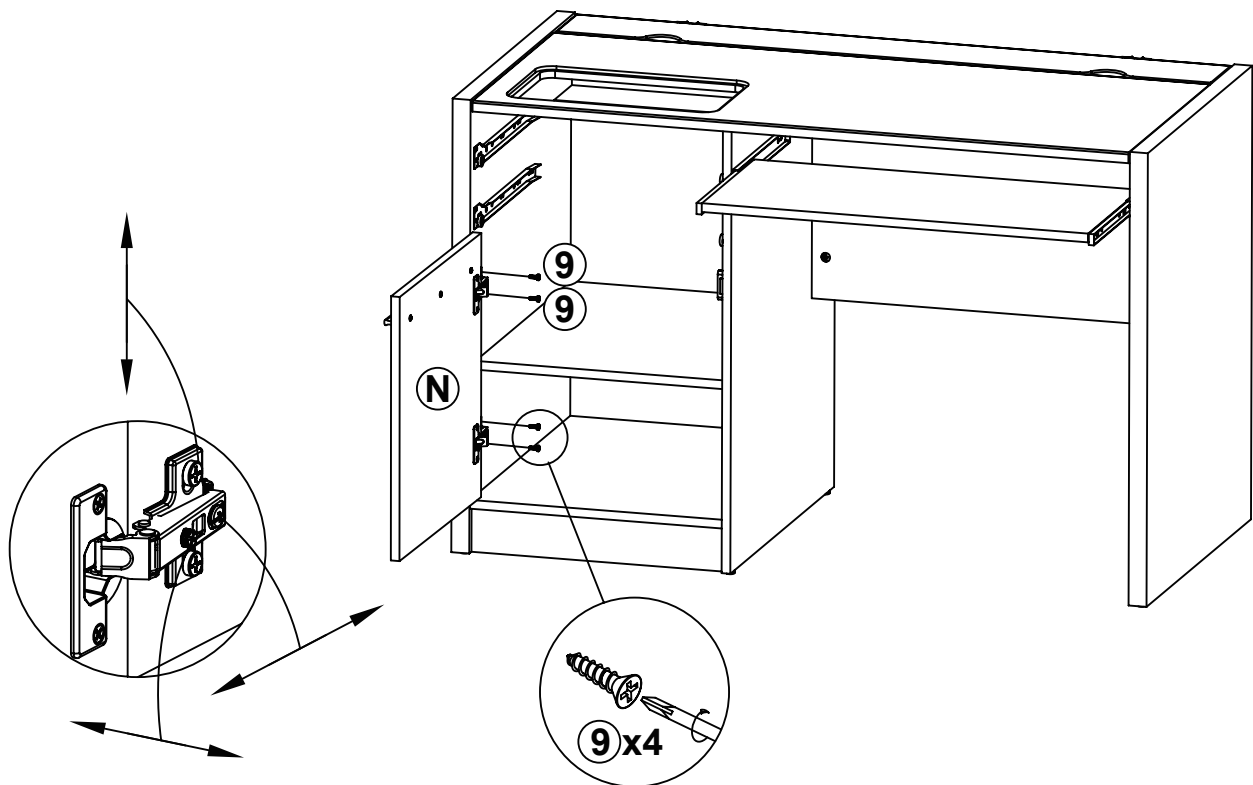
STEP 13



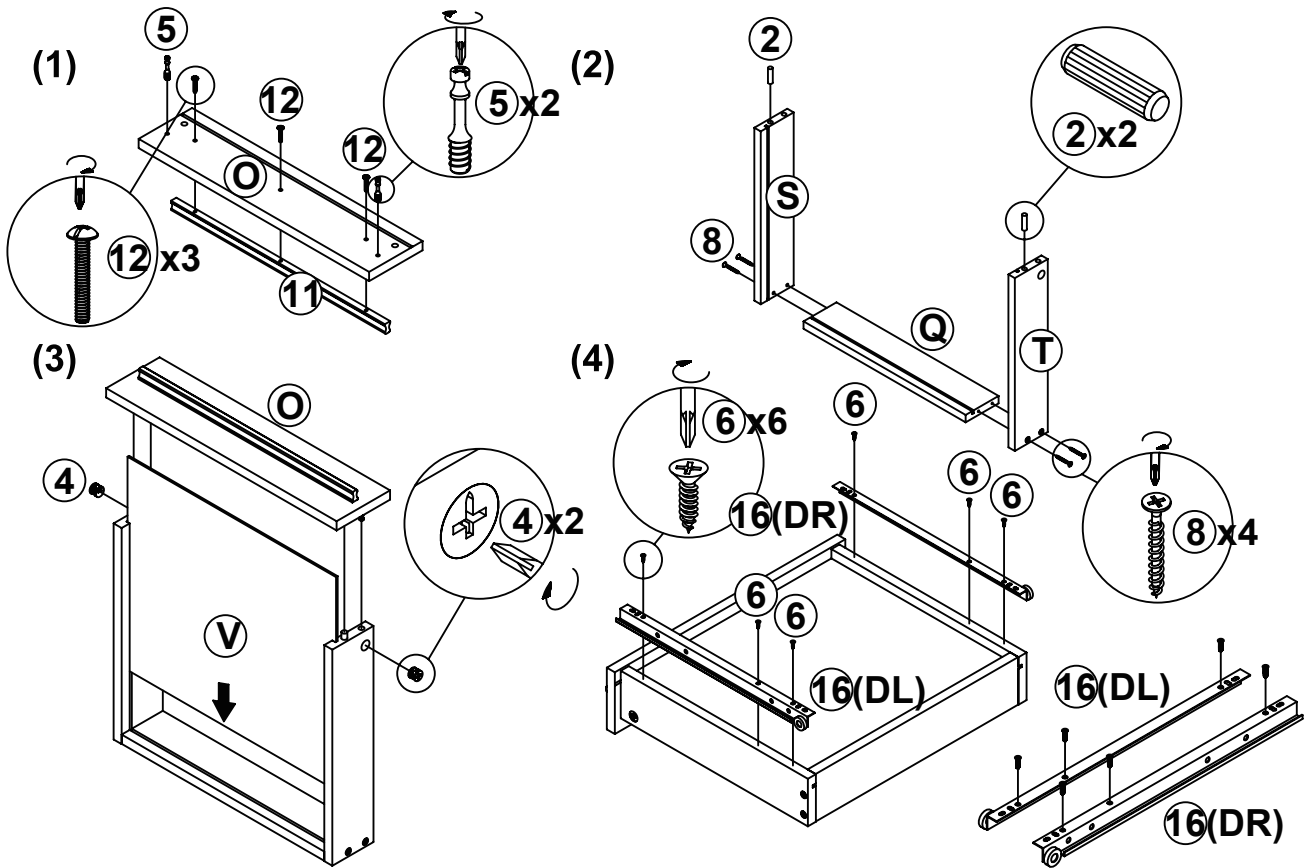
STEP 14



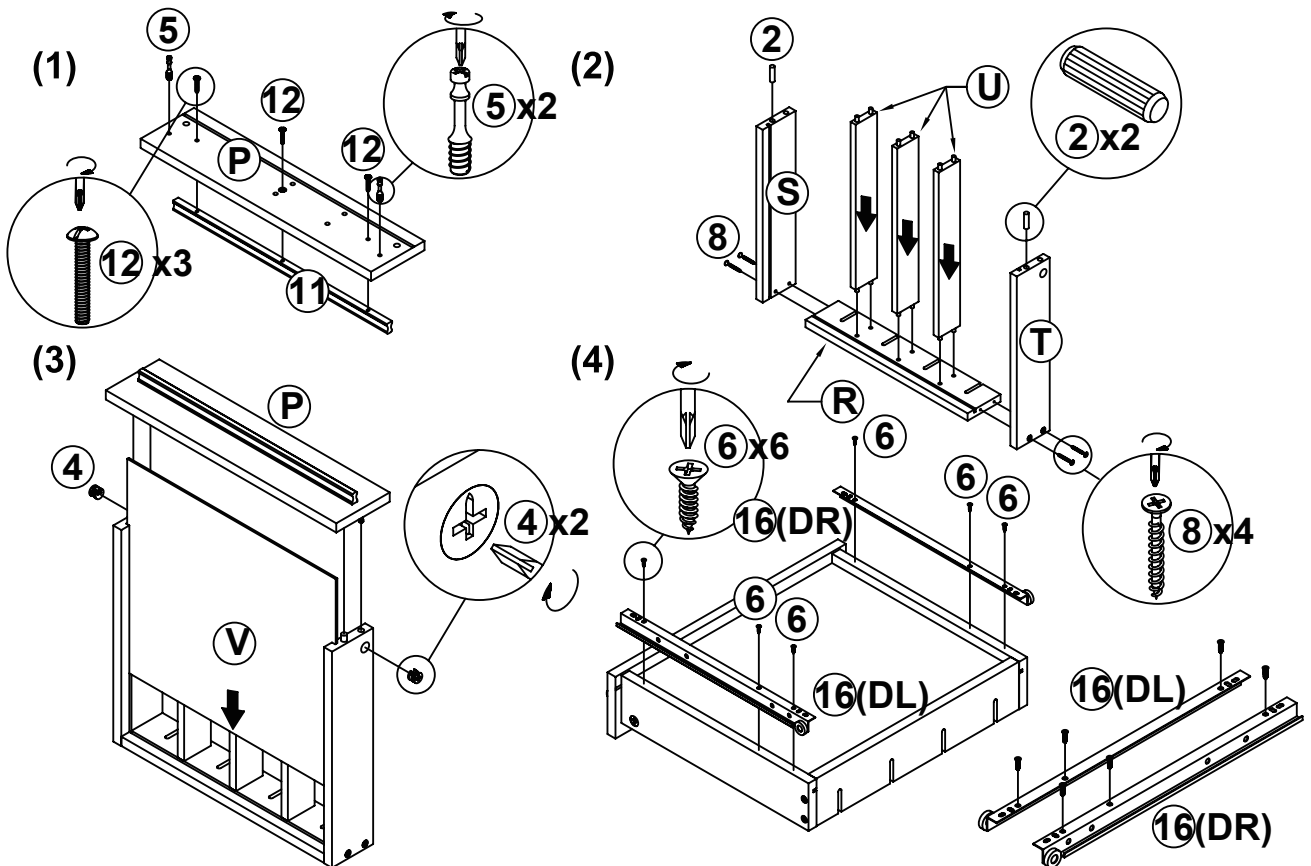
STEP 15



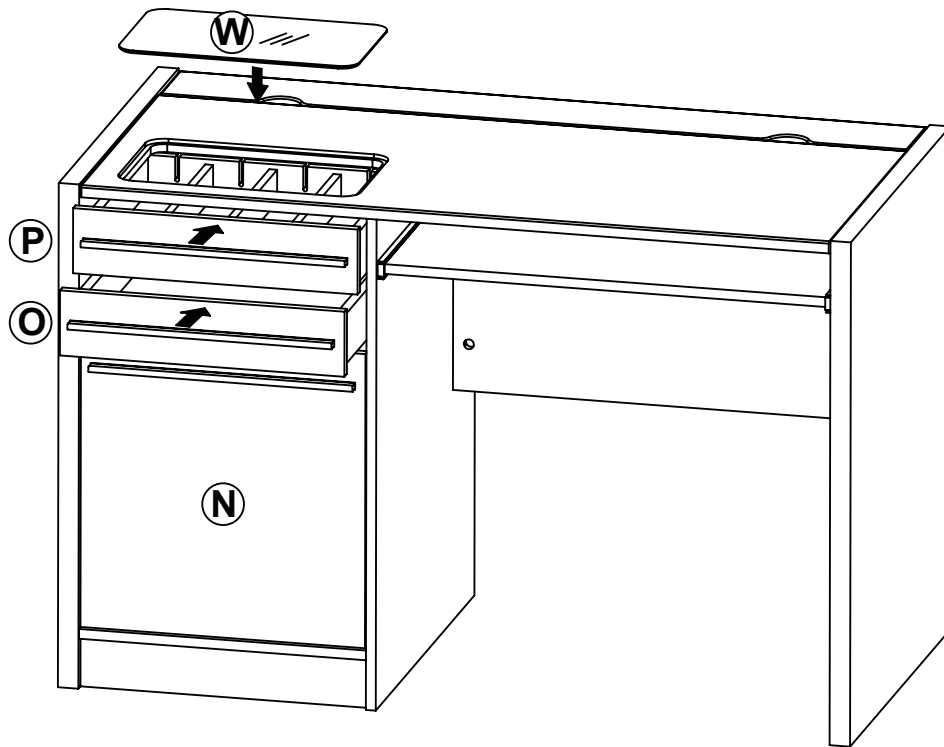
STEP 16



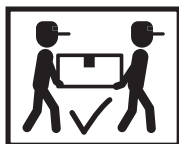
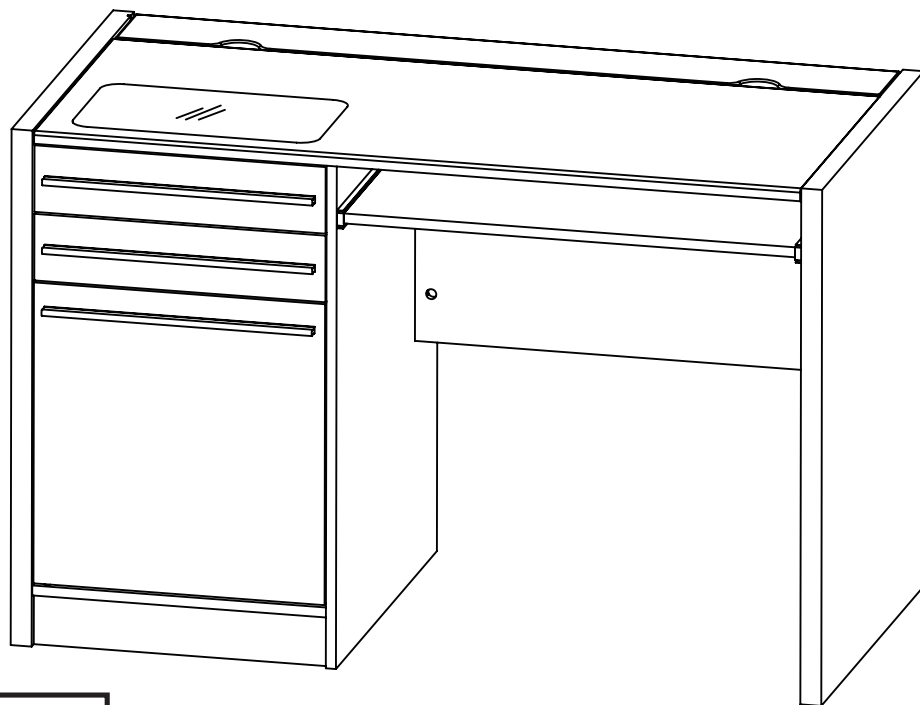
STEP 17

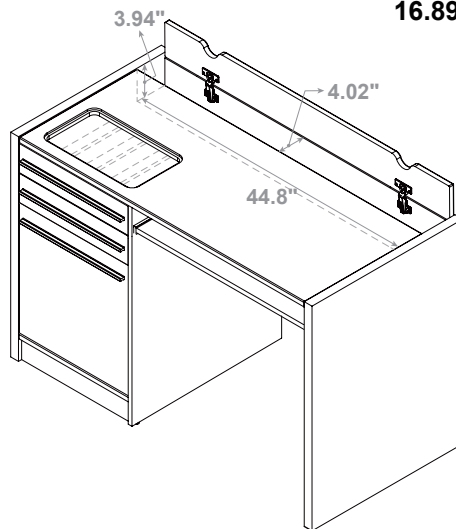
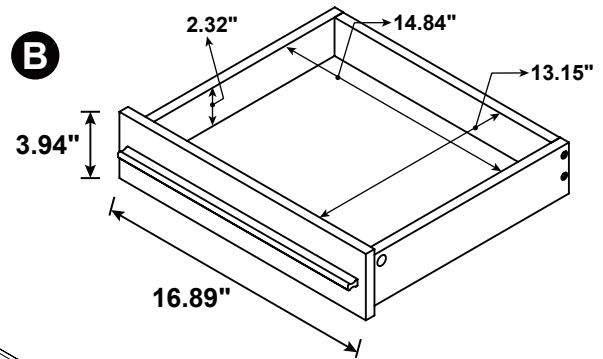
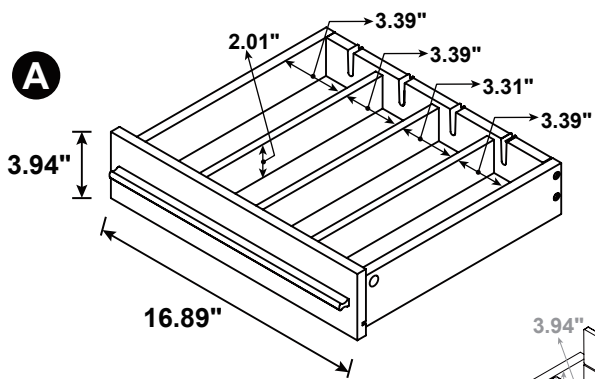
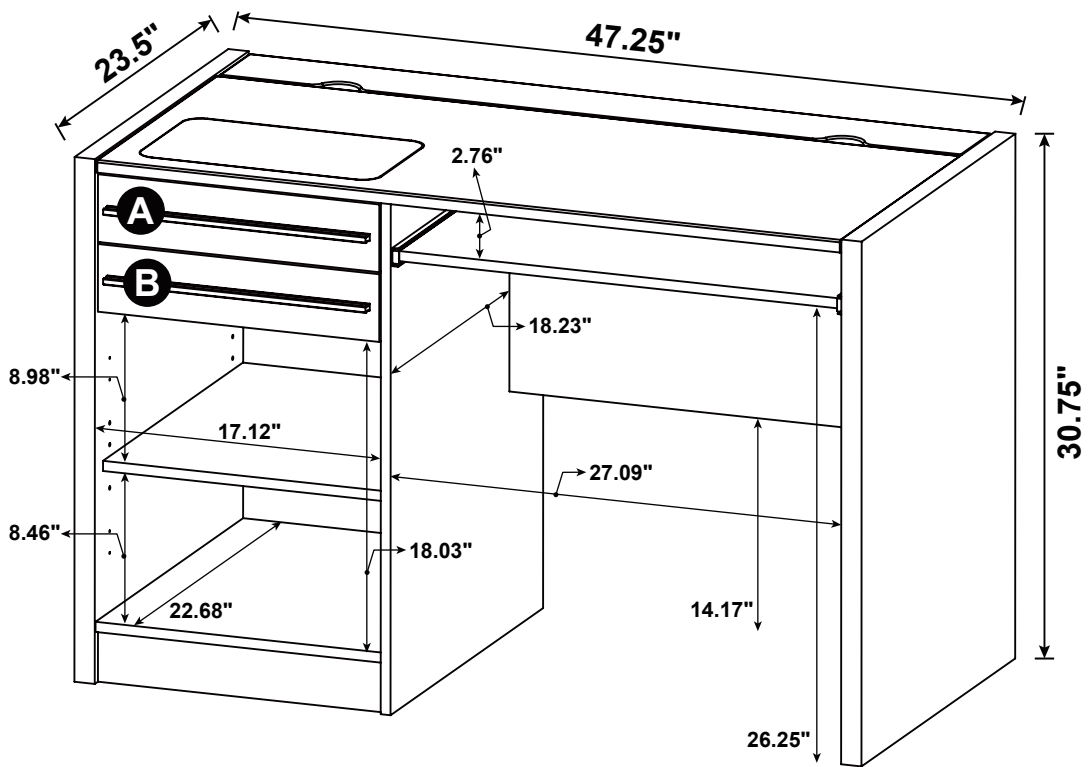


STEP 18



STEP 19 COMPLETE





Note : Dimension tolerance $\pm 5\%$