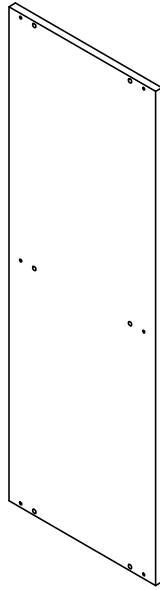
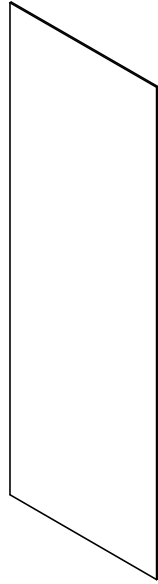


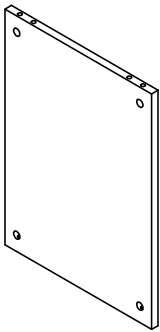
Ax1



Bx1



$\frac{997 \times 343}{39.3 \times 13.5}$   
Cx1



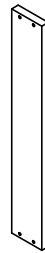
Dx2



Ex2



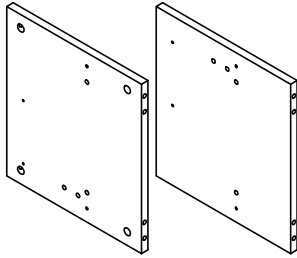
Fx2



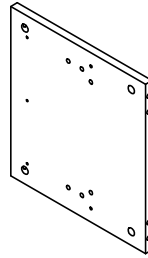
Gx2



$\frac{453 \times 300}{17.8 \times 11.8}$   
Hx2



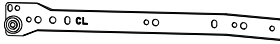
lx1



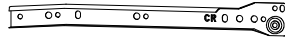
Jx2



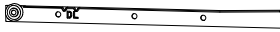
Kx4



CLx2



CRx2



DLx2



DRx2



Lx36



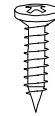
Mx28



Nx36



Ox55



Px24



Qx8



Rx4



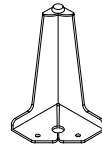
Sx4



Tx4



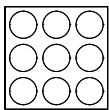
Ux4



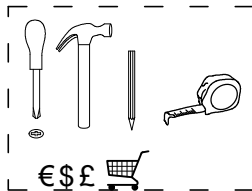
Vx4



Wx1



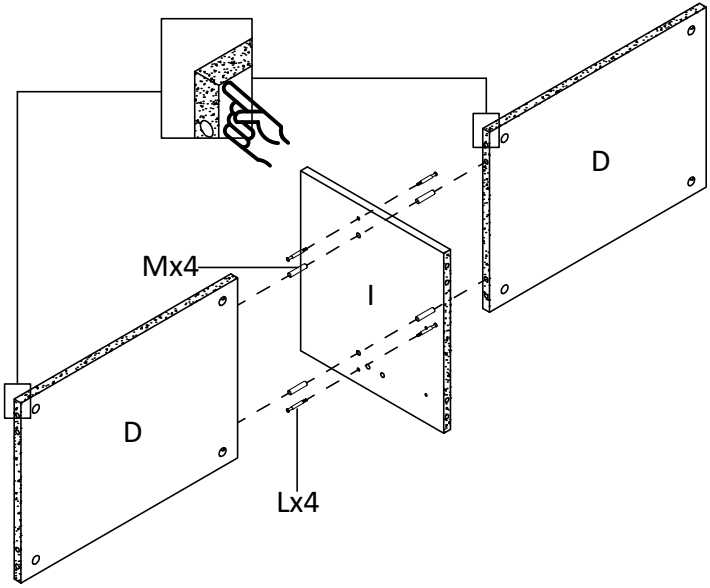
Xx4

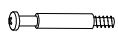
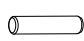


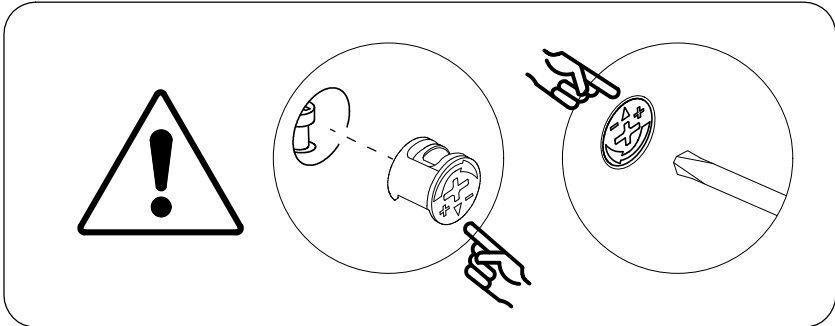
mm  
inch

x2

1

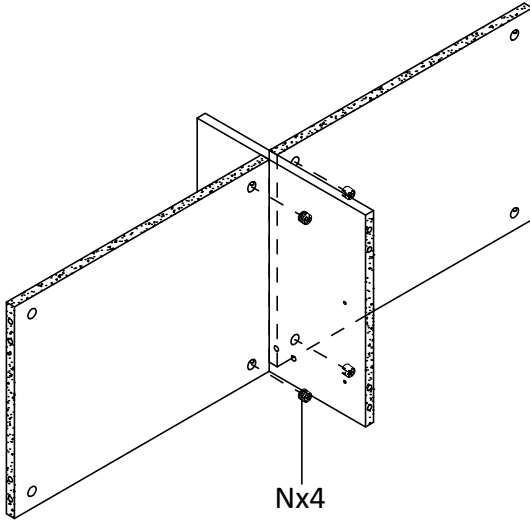


- Lx4 
- Mx4 



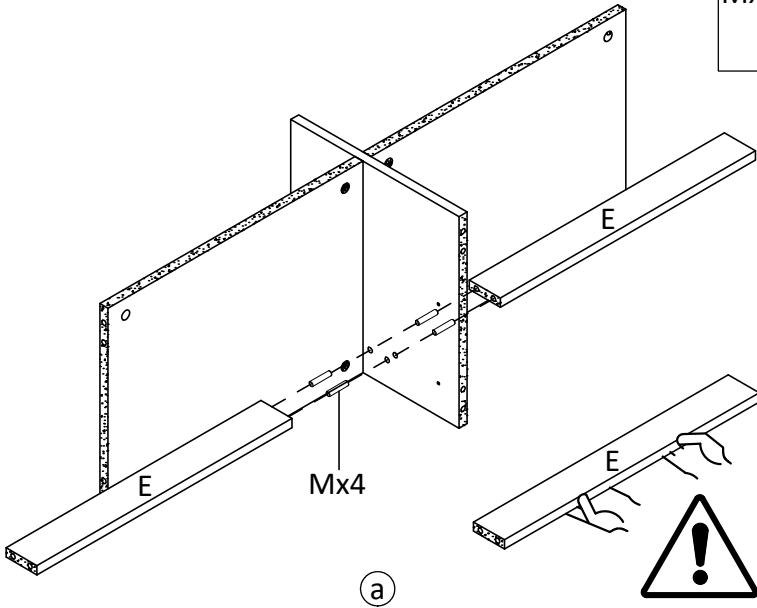
②

Nx4

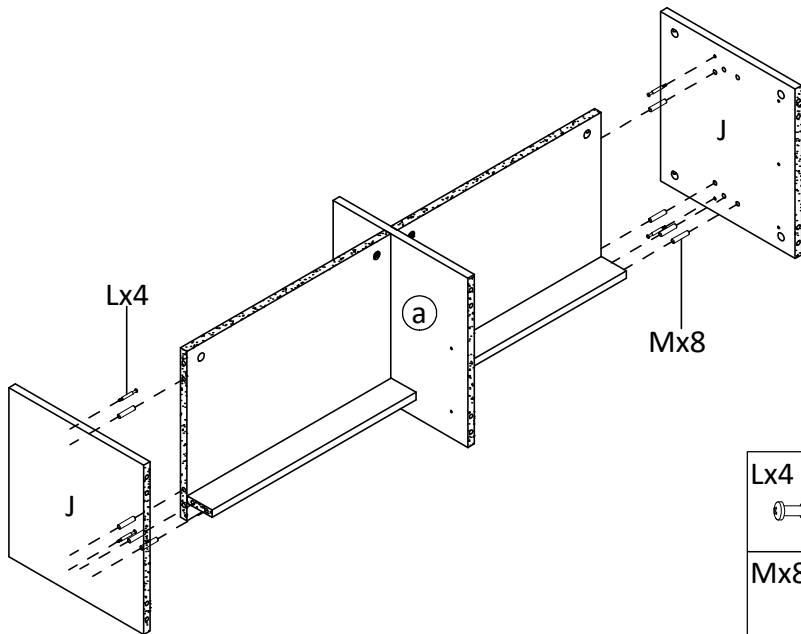


③

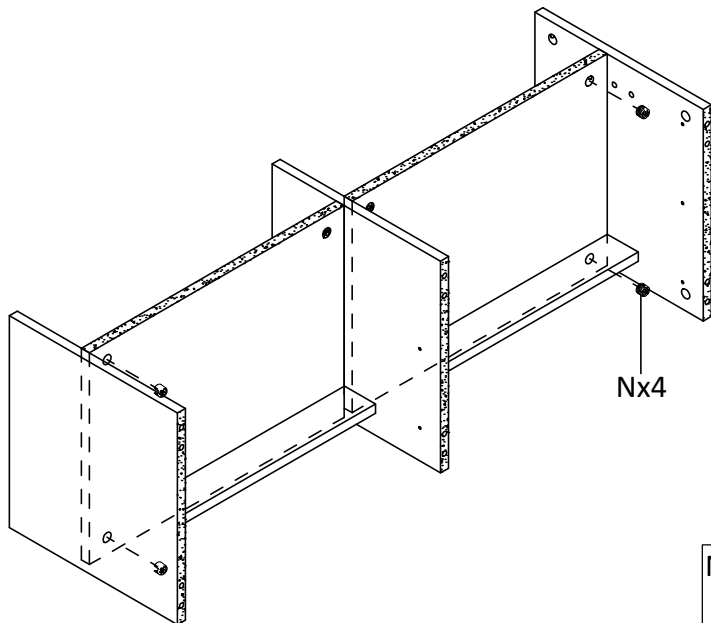
Mx4

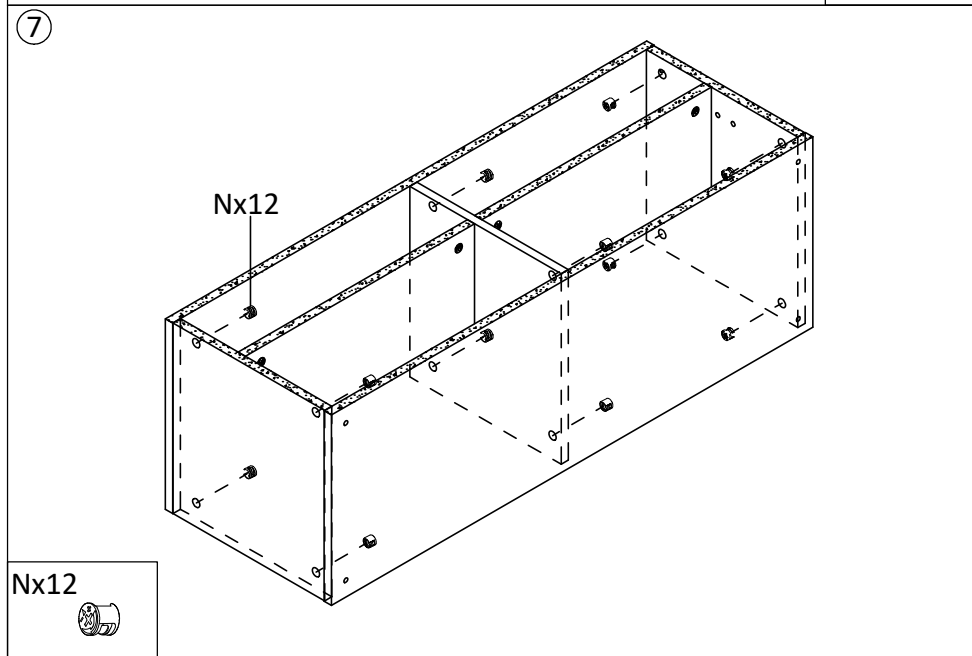
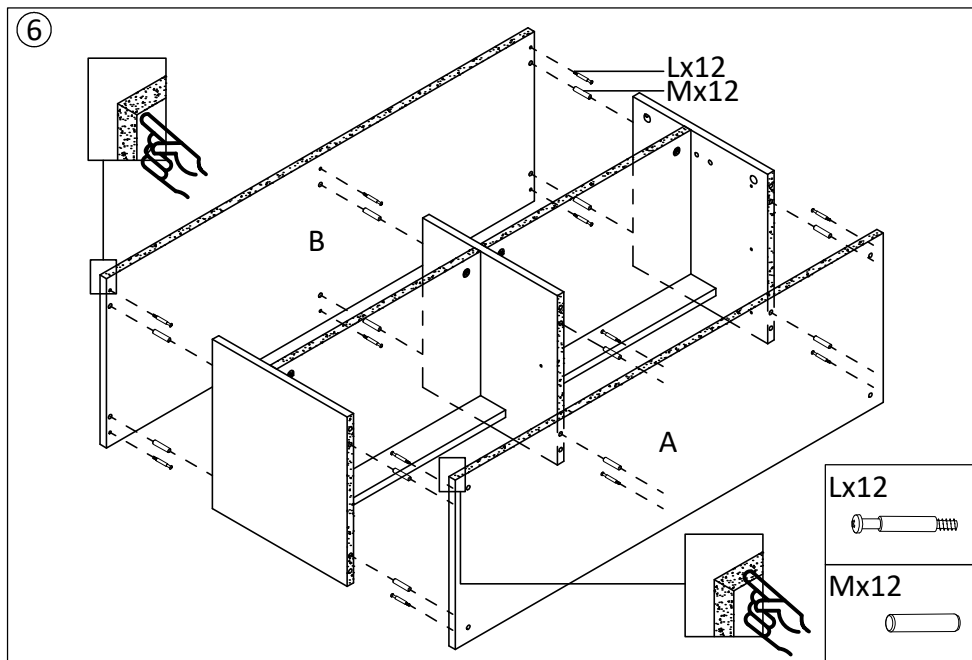


4

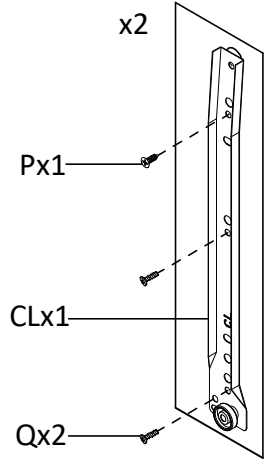
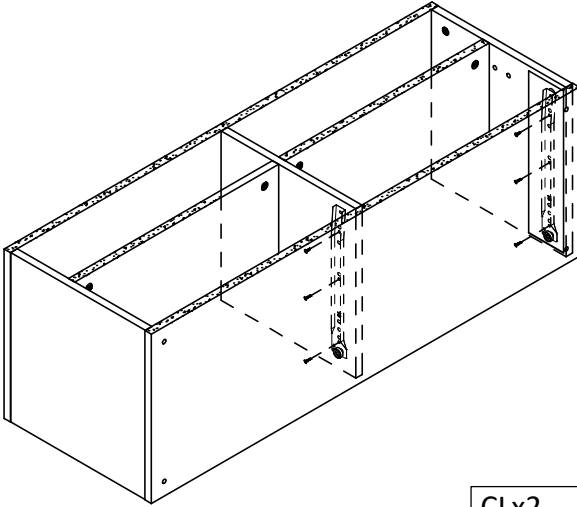





5



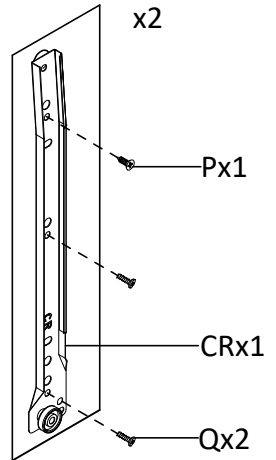
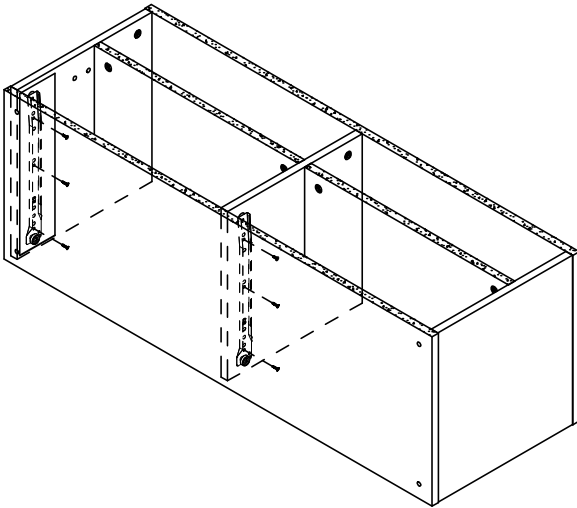





8



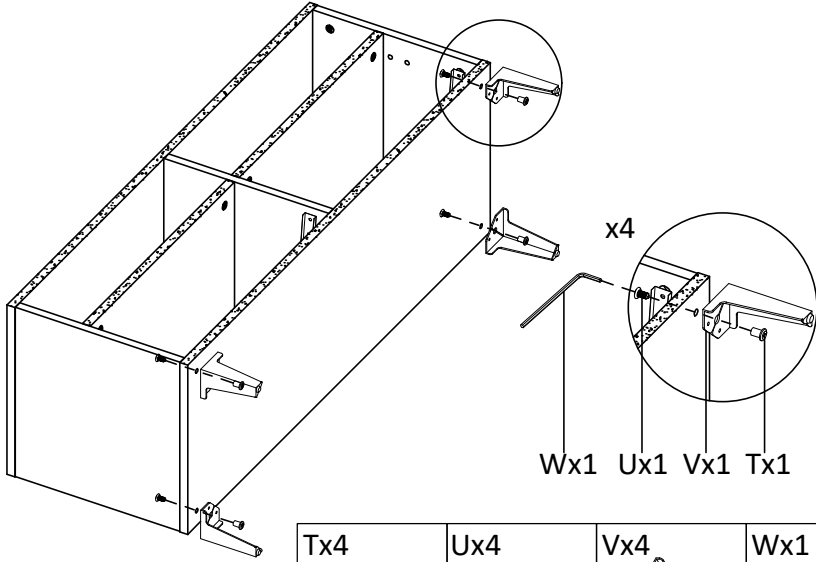
CLx2	Qx4	Px2
		

9



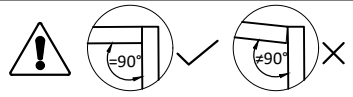
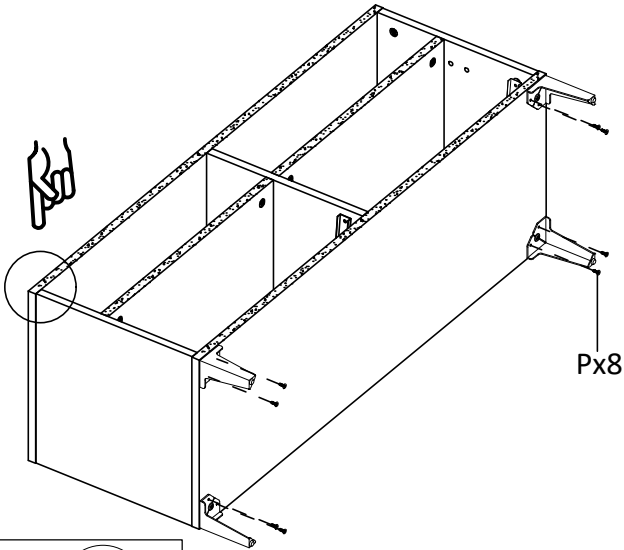
CRx2	Qx4	Px2
		

10



Tx4	Ux4	Vx4	Wx1

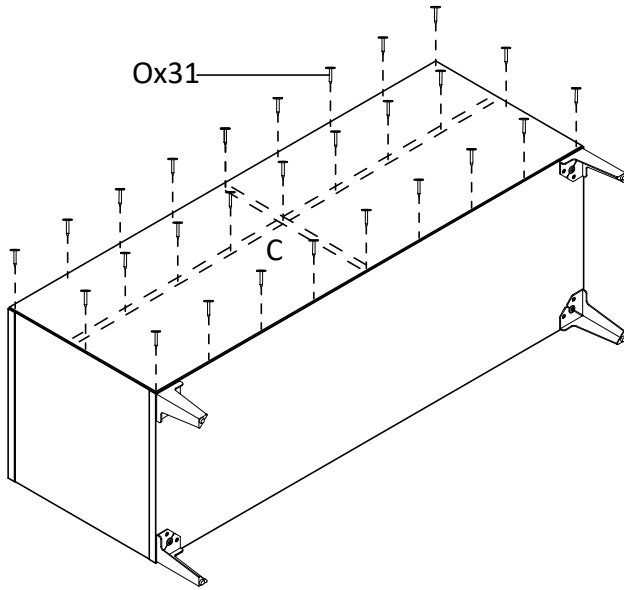
11



Px8

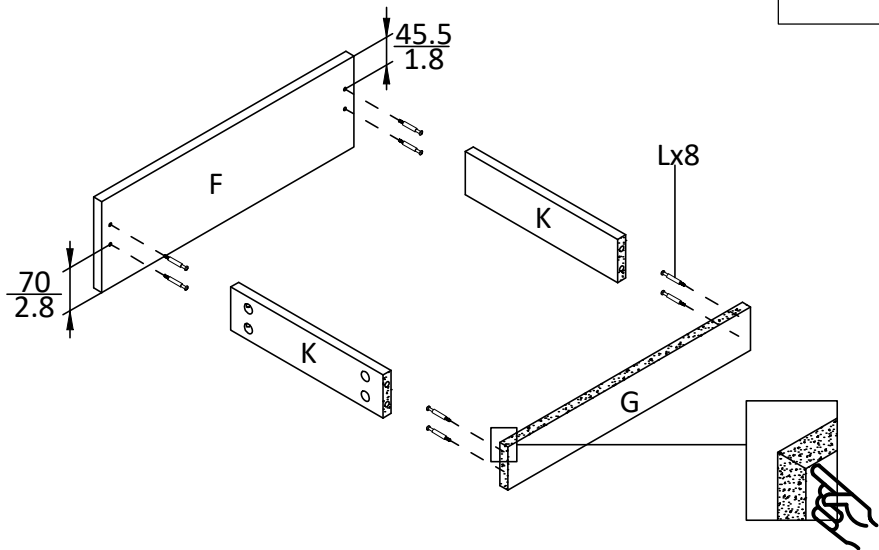
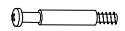
12

Ox31



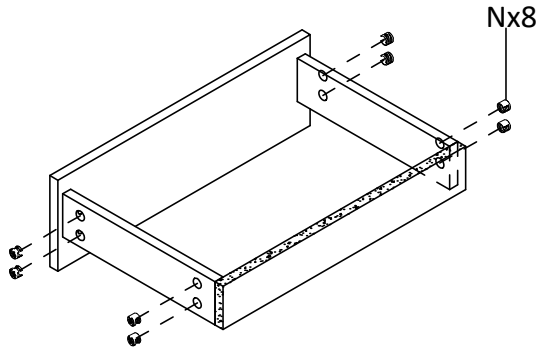
13x2

Lx16



14x2

Nx16

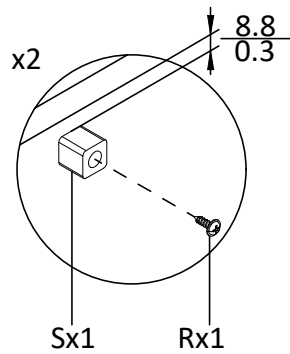
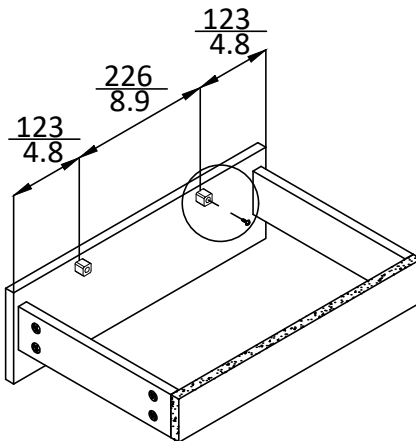


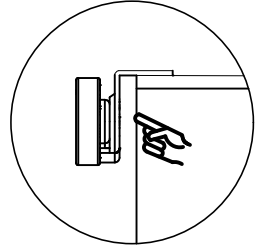
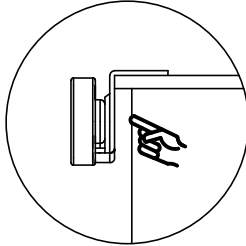
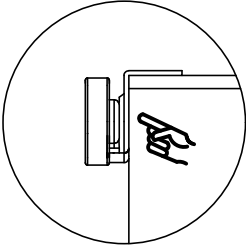
15x2

Rx4



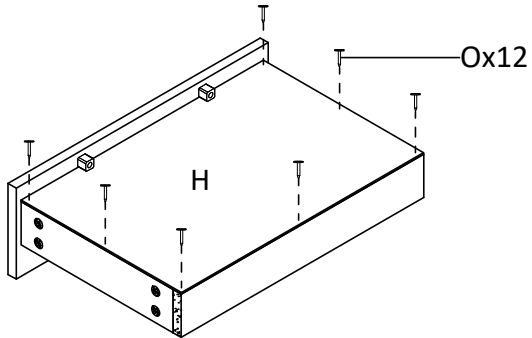
Sx4



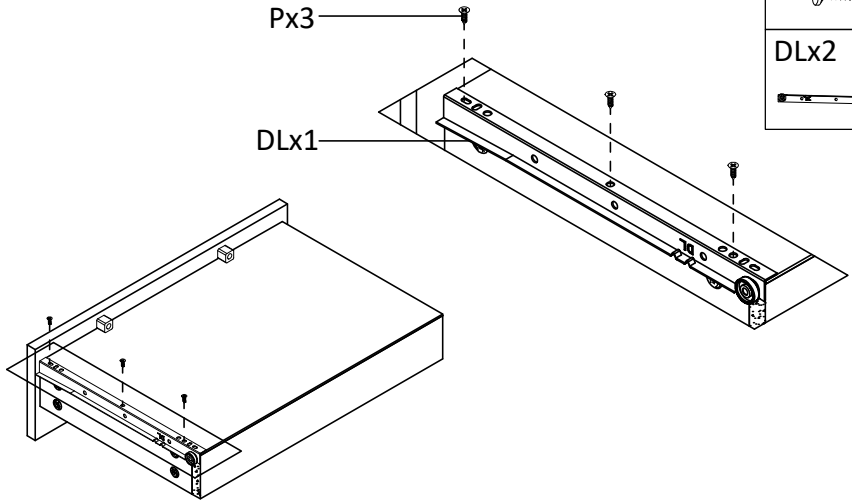


16x2

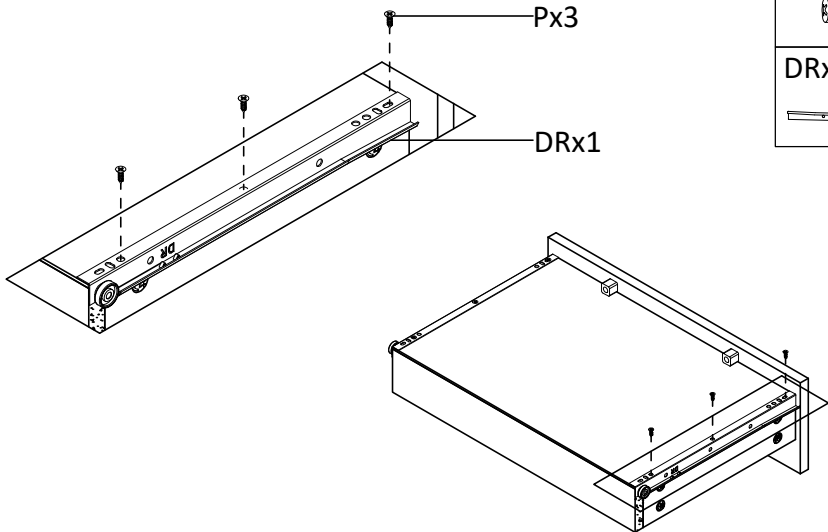
Ox24



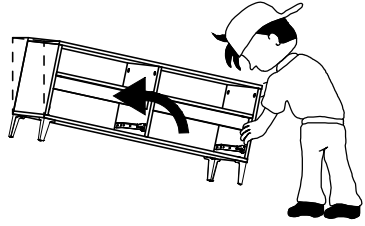
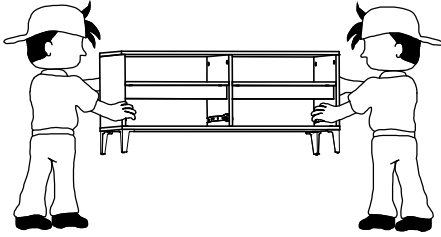
17x2



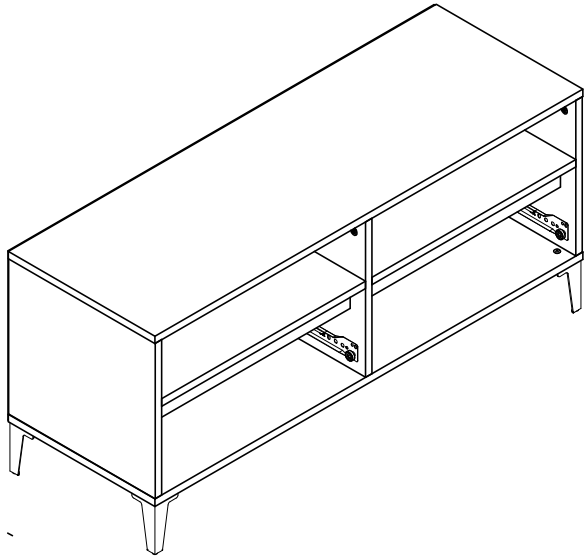
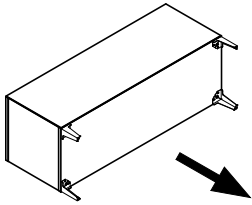
18x2



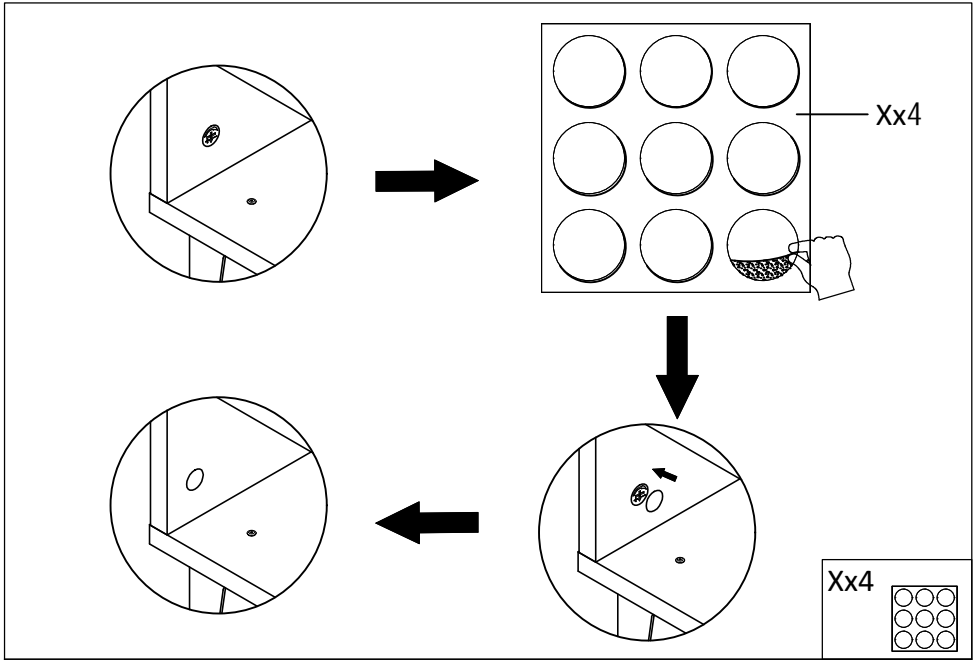
b



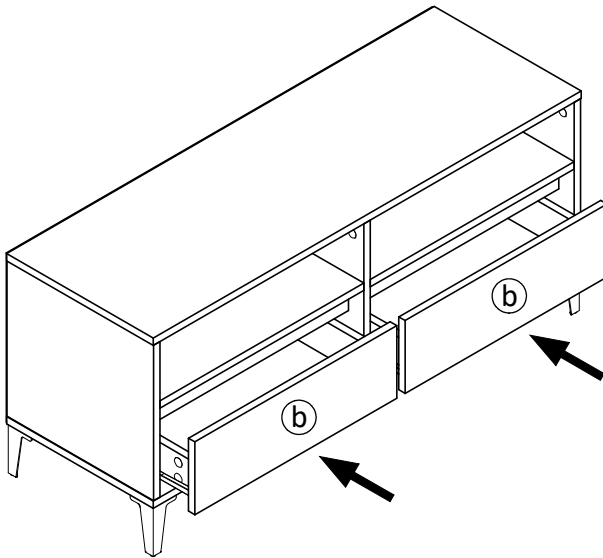
19



90°



20



21

