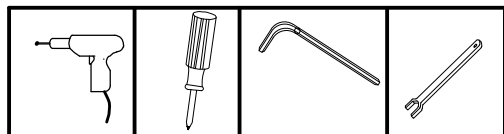
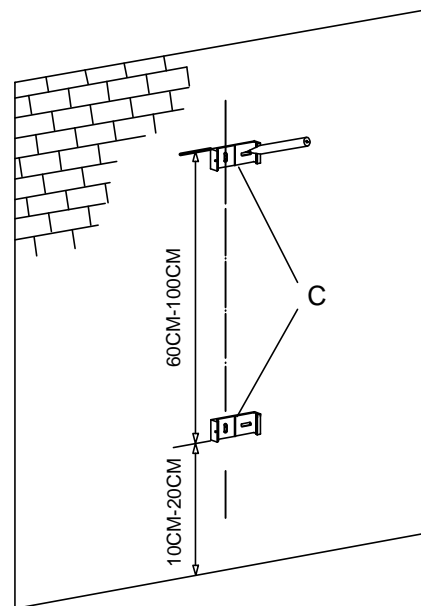


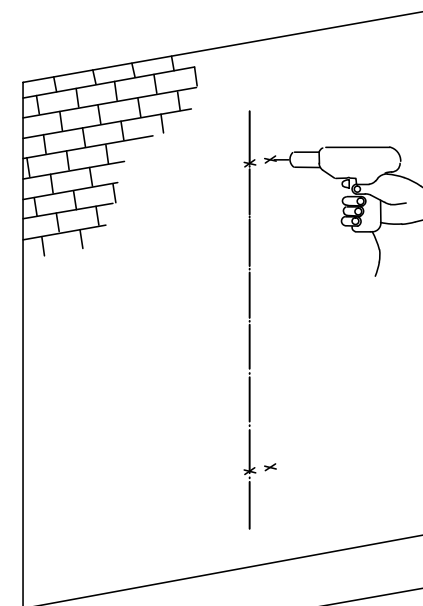
A		1PC
B		1PC
C		2PCS
D		M8x60
E		4PCS
F		1PC
G		ST5x30



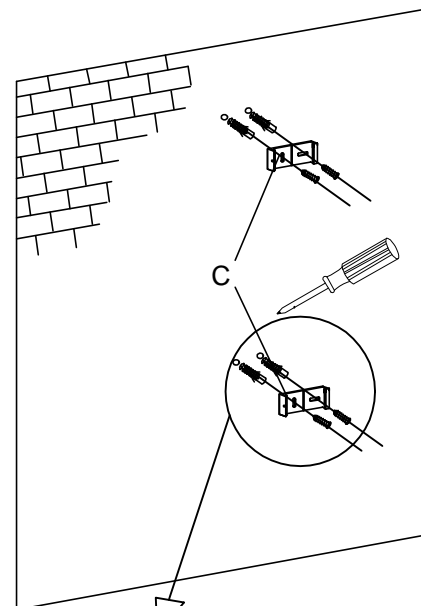
1



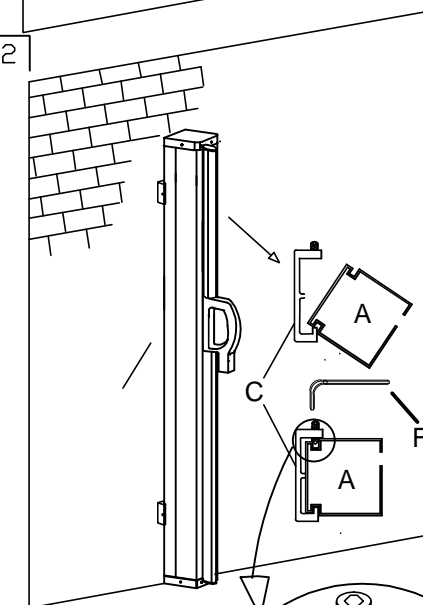
1



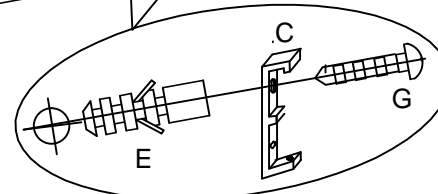
2



3



2



4

