

**Tips!**

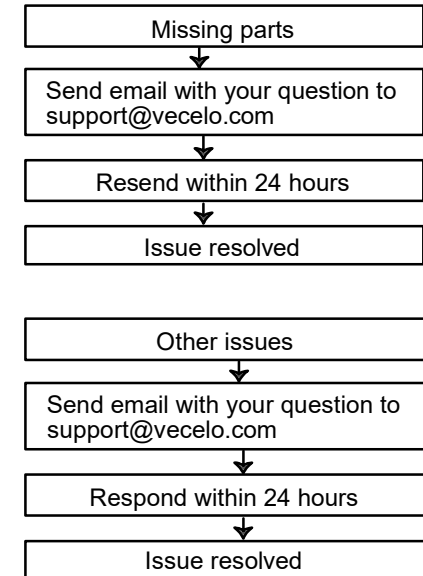
Check all the components & screws before assembly. **Do not install in case part is missing, contact us to get.** Send email with your question to support@vecelo.com. We will resend within 24 hours.

**Return Policy**

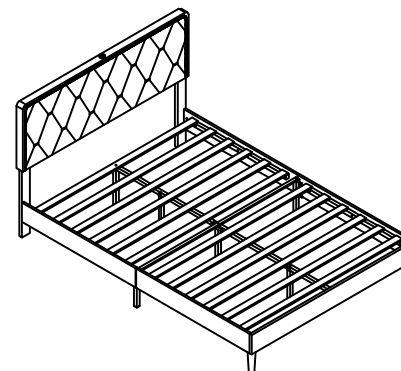
We believe you will absolutely love your new item. But if for some reason you want to return, please contact us directly before you decide to return your product. Our customer service organization can answer most concerns and assist you with any questions you may have about your new item, please email us first at: support@vecelo.com.

The item must be returned within 30 days of delivery for a full refund. The item must be returned in good condition, in original box, with all original proof of purchase, parts and accessories.

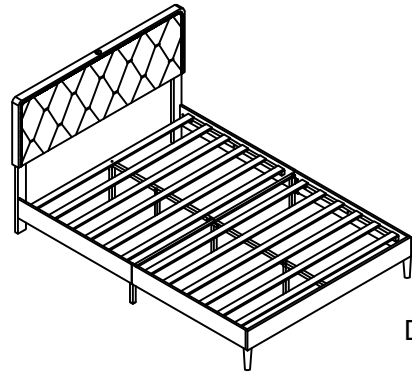
**Trouble shooting:**



We control manufacturing and distribution ourselves, ensure the quality.



Item Description:	Bed Frame
Dimension:	TWIN:106*195*(101-121)cm
	FULL:144*195*(101-121)cm
	QUEEN:159*207*(101-121)cm
Model NO:	CY-No.1



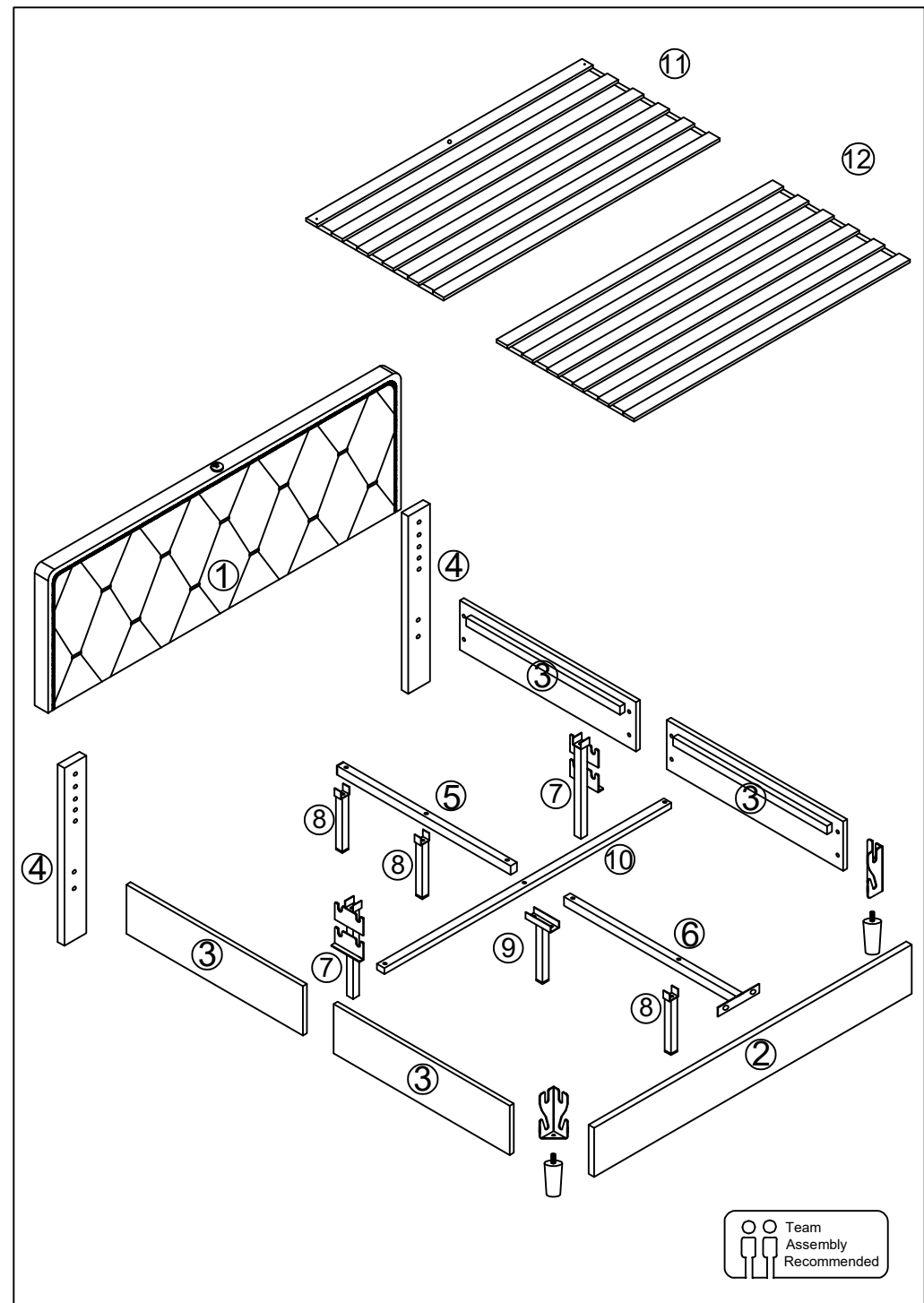
## Bed Frame

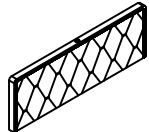
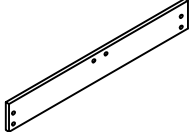
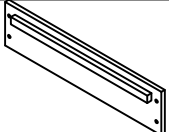
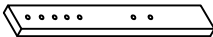
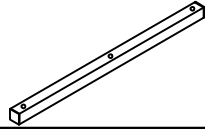
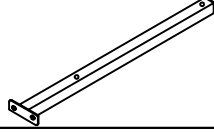


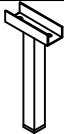
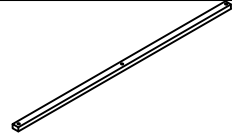
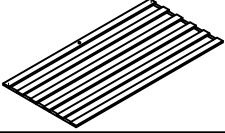
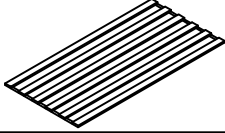
Dimension: TWIN:106\*195\*(101-121)cm  
FULL:144\*195\*(101-121)cm  
QUEEN:159\*207\*(101-121)cm



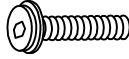









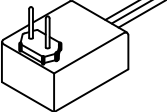
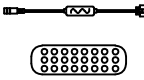
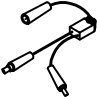
### How to find us?

Email: [support@vecelo.com](mailto:support@vecelo.com)

Website: [www.vecelo.com](http://www.vecelo.com)



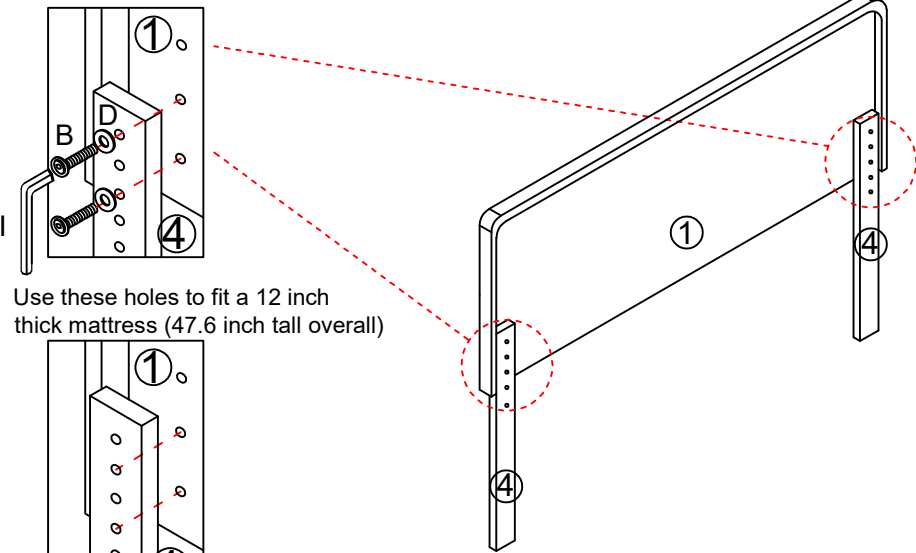
Components					
①		1	②		1
	TWIN:106*55*8			TWIN:100*15.2*2.5	
	FUUL:144*55*8			FUUL:138*15.2*2.5	
	QUEEN:159*55*8			QUEEN:153.5*15.2*2.5	
③		4	④		2
	TWIN:95.3*15.2*4.5			TWIN:83*7*2.5	
	FUUL:95.3*15.2*4.5			FUUL:83*7*2.5	
	QUEEN:100.8*15.2*4.5			QUEEN:83*7*2.5	
⑤		1	⑥		1
	TWIN:84.5*2.5*2.5			TWIN:97.9*8*2.5	
	FUUL:84.5*2.5*2.5			FUUL:97.9*8*2.5	
	QUEEN:90.5*2.5*2.5			QUEEN:103.7*8*2.5	
⑦		2	⑧		3
	TWIN:34.6*7.5*4.3			TWIN:32.4*3.1*2.5	
	FUUL:34.6*7.5*4.3			FUUL:32.4*3.1*2.5	
	QUEEN:34.6*7.5*4.3			QUEEN:32.4*3.1*2.5	
⑨		1	⑩		1
	TWIN:32.4*8*3.1			TWIN:95*2.4*1.2	
	FUUL:32.4*8*3.1			FUUL:133*2.4*1.2	
	QUEEN:32.4*8*3.1			QUEEN:148.5*2.4*1.2	
⑪		1	⑫		1
	TWIN:95*5.2*1.2			TWIN:95*5.2*1.2	
	FUUL:133*5.2*1.2			FUUL:133*5.2*1.2	
	QUEEN:148.5*5.2*1.2			QUEEN:148.5*5.2*1.2	

Screws&Tools					
Ⓐ		2	Ⓑ		4
	Bolt M8 x 25			Bolt M8 x 45	
Ⓒ		5	Ⓙ		2
	Bolt M8 x 45			Screw M4 x 25	
Ⓓ		4	Ⓚ		1
	Spacer			Allen Key M5	
Ⓛ-1		22	ⓐ-1		4
	Bolt M8 x 18 Preinstilled on components			Bolt M8 x 25 Preinstilled on components	
Screws&Tools					
Ⓔ		2	ⓐ		1
	Angle iron			Angle iron (Left)	
Ⓕ		1	ⓑ		2
	Angle iron (Right)			Foot	
Ⓚ		1	Ⓛ		1
	Plug			Infrared receiver	
Ⓜ		1			
	Three in one cable				

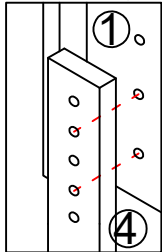
# Step 1



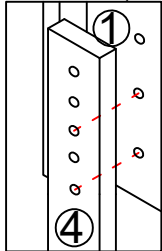
Each pair of holes corresponds to a mattress thickness as shown below



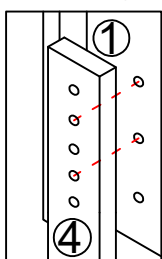
Use these holes to fit a 12 inch thick mattress (47.6 inch tall overall)



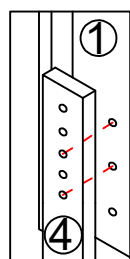
Use these holes to fit a 10 inch thick mattress (45.6 inch tall overall)



Use these holes to fit a 8 inch thick mattress (43.6 inch tall overall)

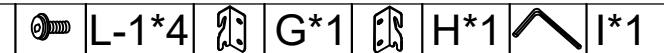


Use these holes to fit a 6 inch thick mattress (41.6 inch tall overall)

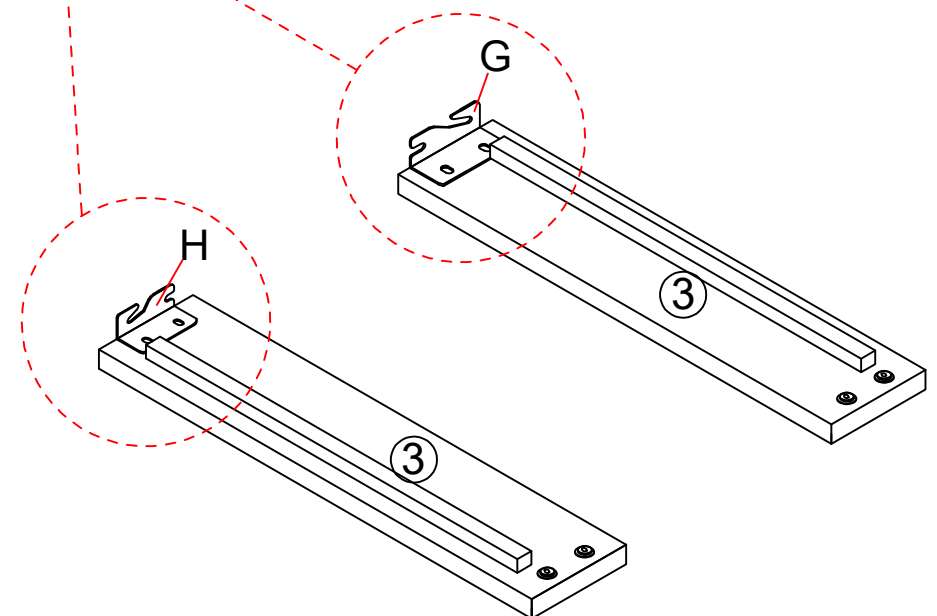
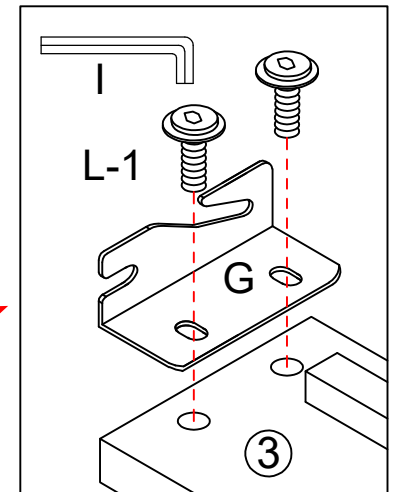
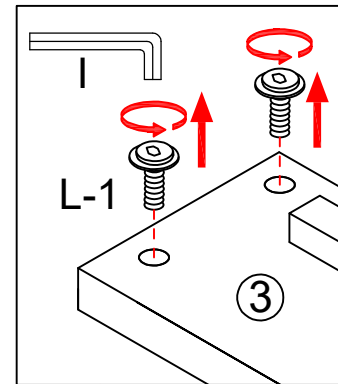


Use these holes to fit a 4 inch thick mattress (39.6 inch tall overall)

# Step 2

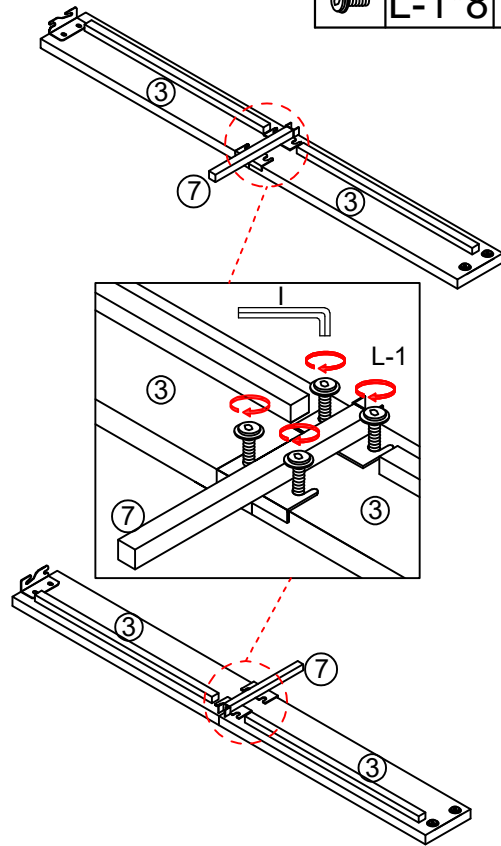


Tips:  
Must Keep the Brackets Lay Toward the Ground





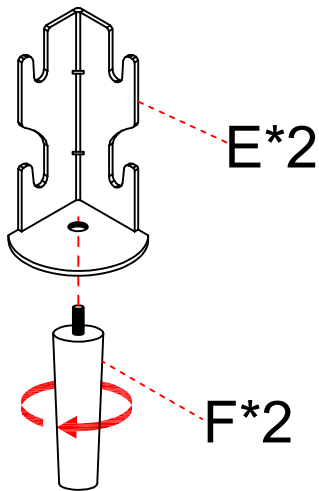
Step 3

 L-1\*8  ⑦\*2  I\*1





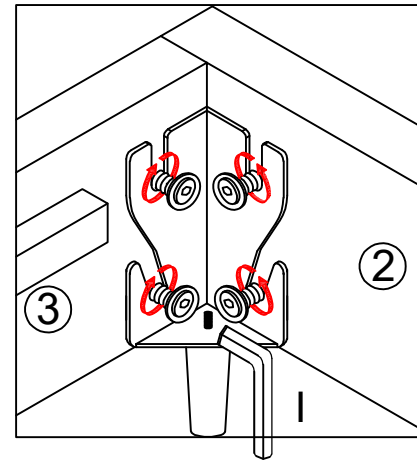
Step 4

 E\*2  F\*2

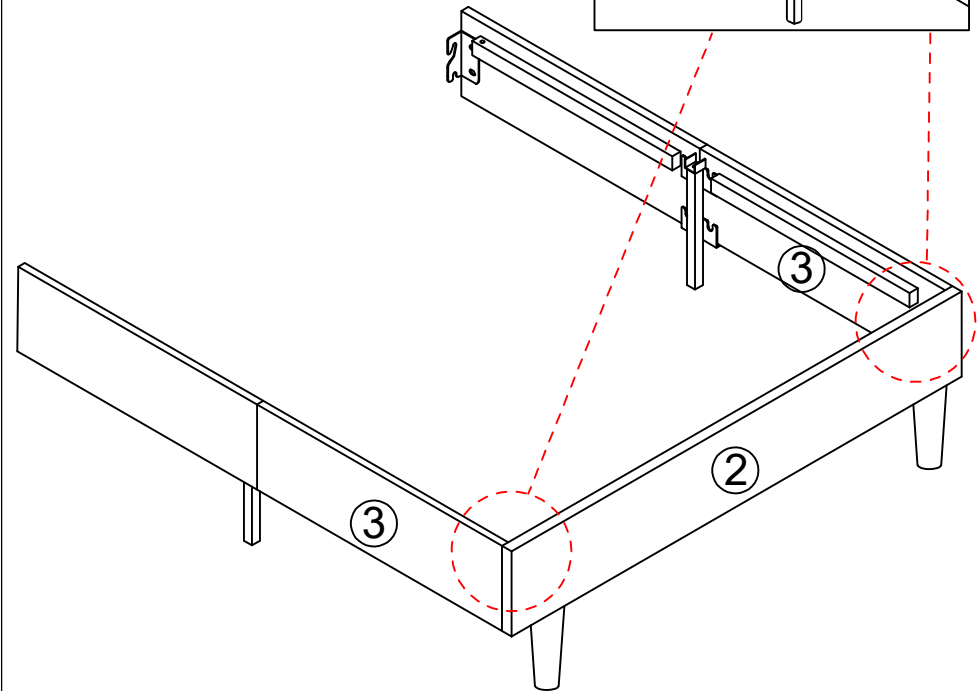
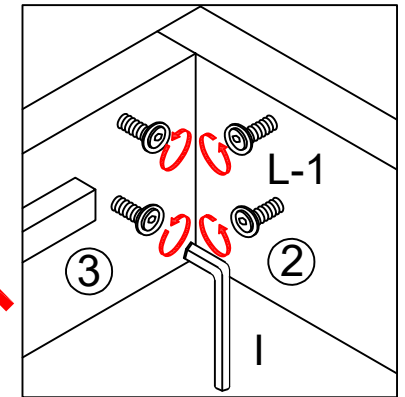


Step 5

 L-1\*8  I\*1

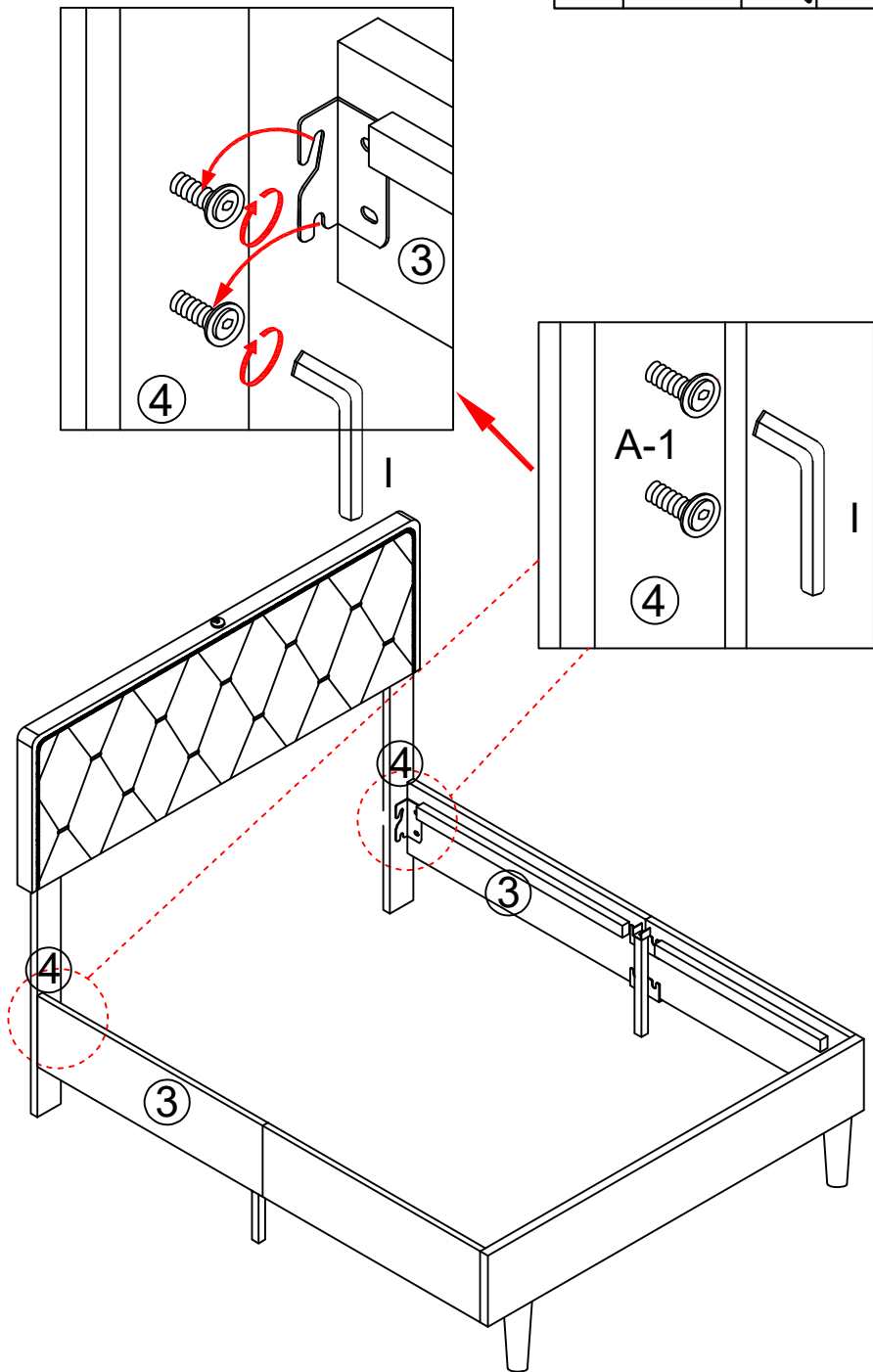


**Tips:**  
Loose the preinstalled  
4 SCrews for leg  
Installation , and Then  
Tighten Them Again



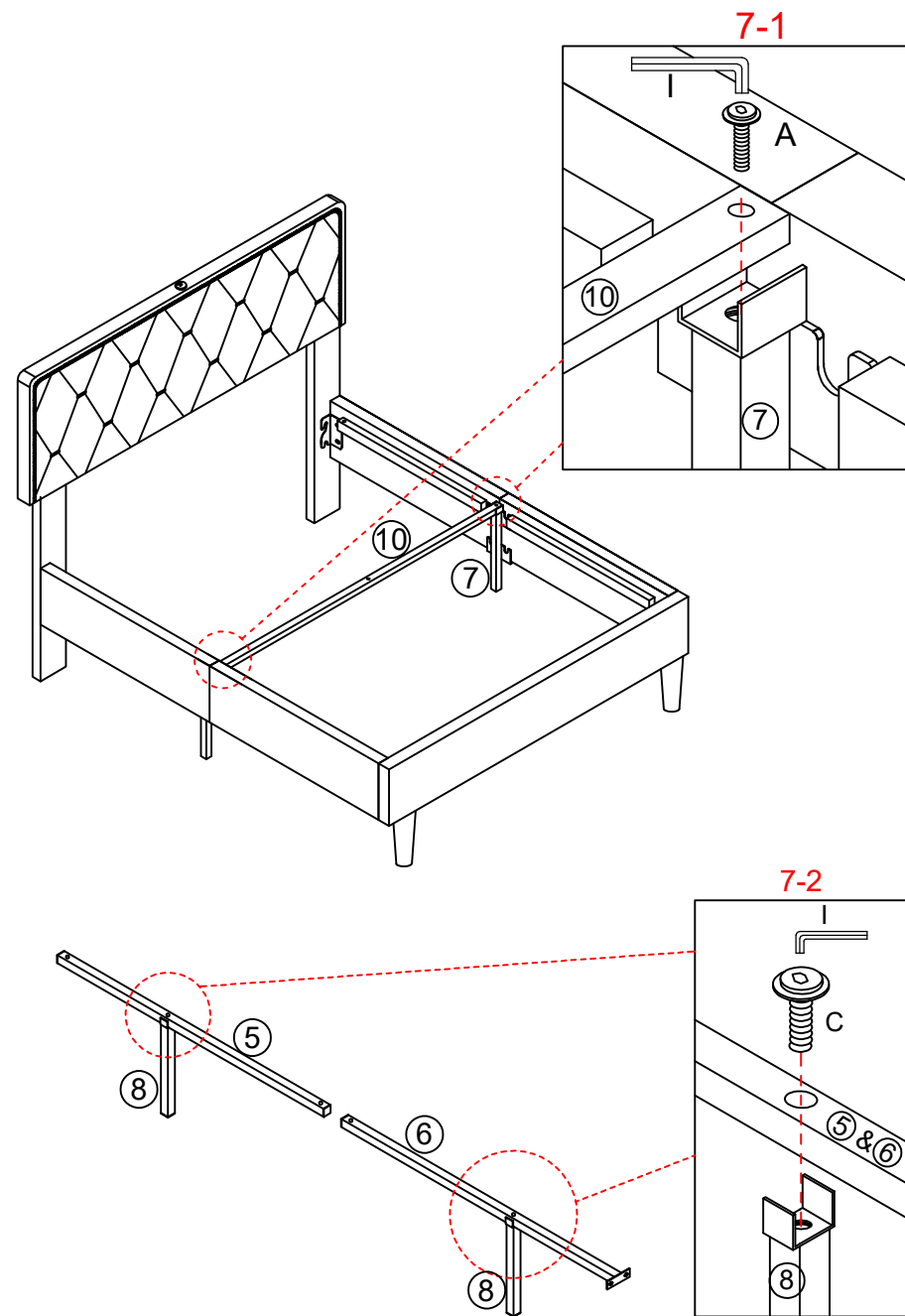
Step 6

A-1\*4 L\*1



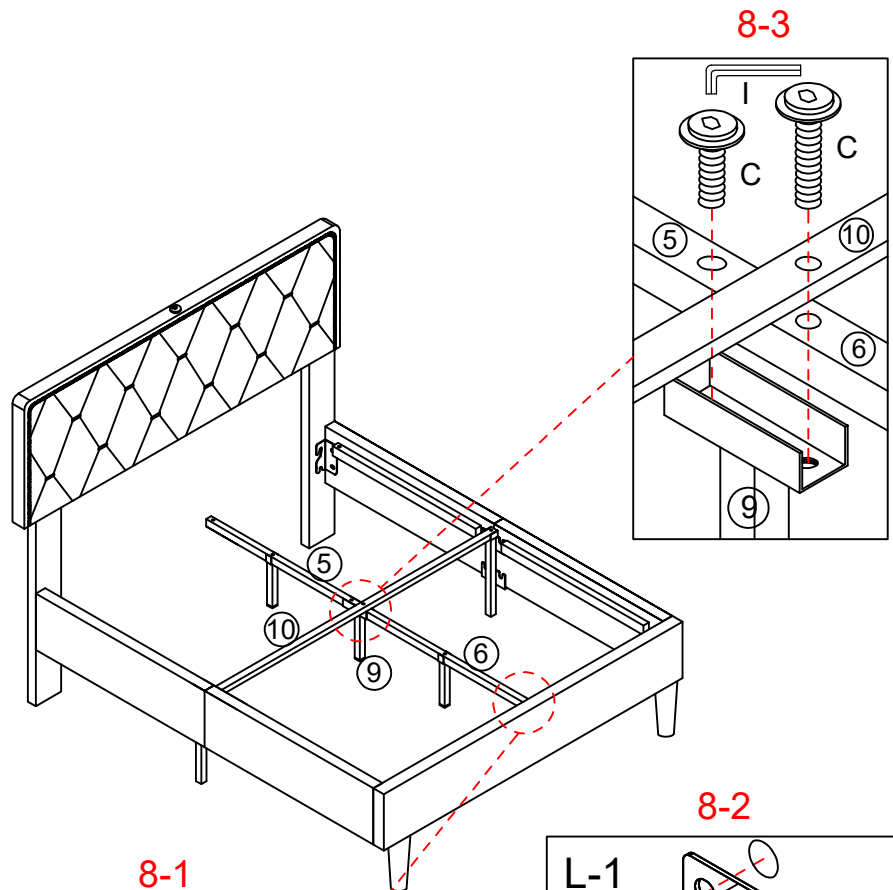
Step 7

A\*2 C\*2 L\*1

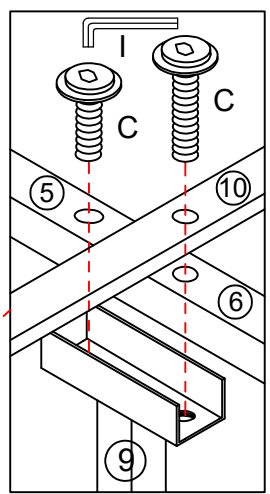


Step 8

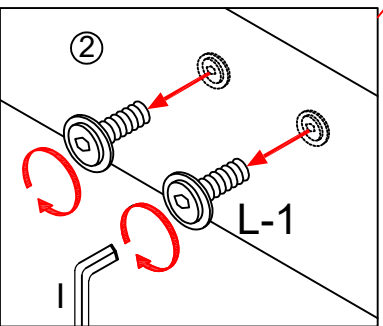
L-1\*2 C\*2 I\*1



8-3

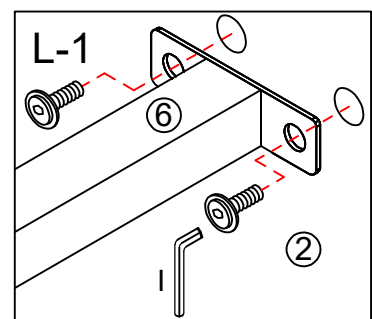


8-1



Unscrew the original screw

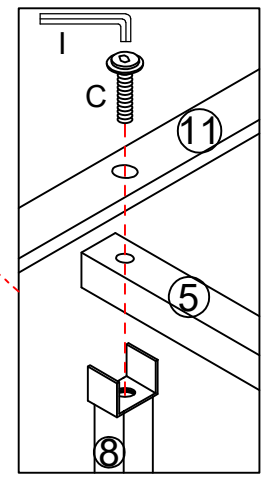
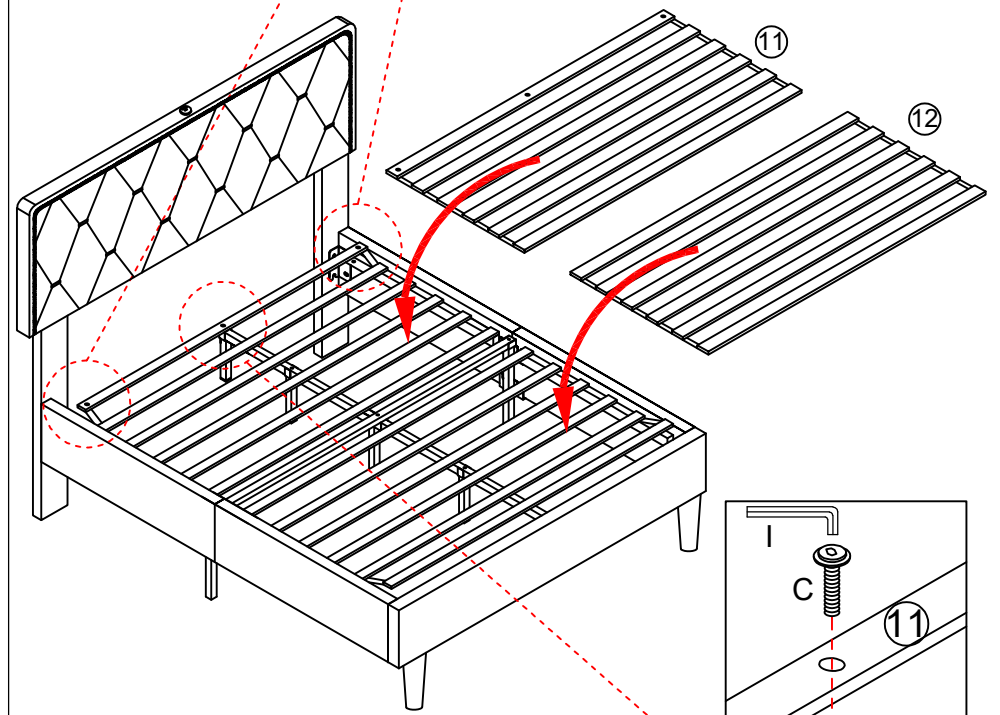
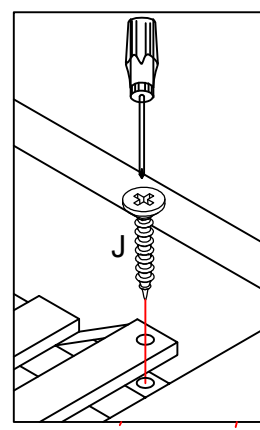
8-2



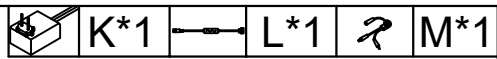
Tighten the original screw

Step 9

C\*1 J\*2 I\*1



Step 10

 K\*1 — L\*1 ? M\*1

Check and tighten all screws

