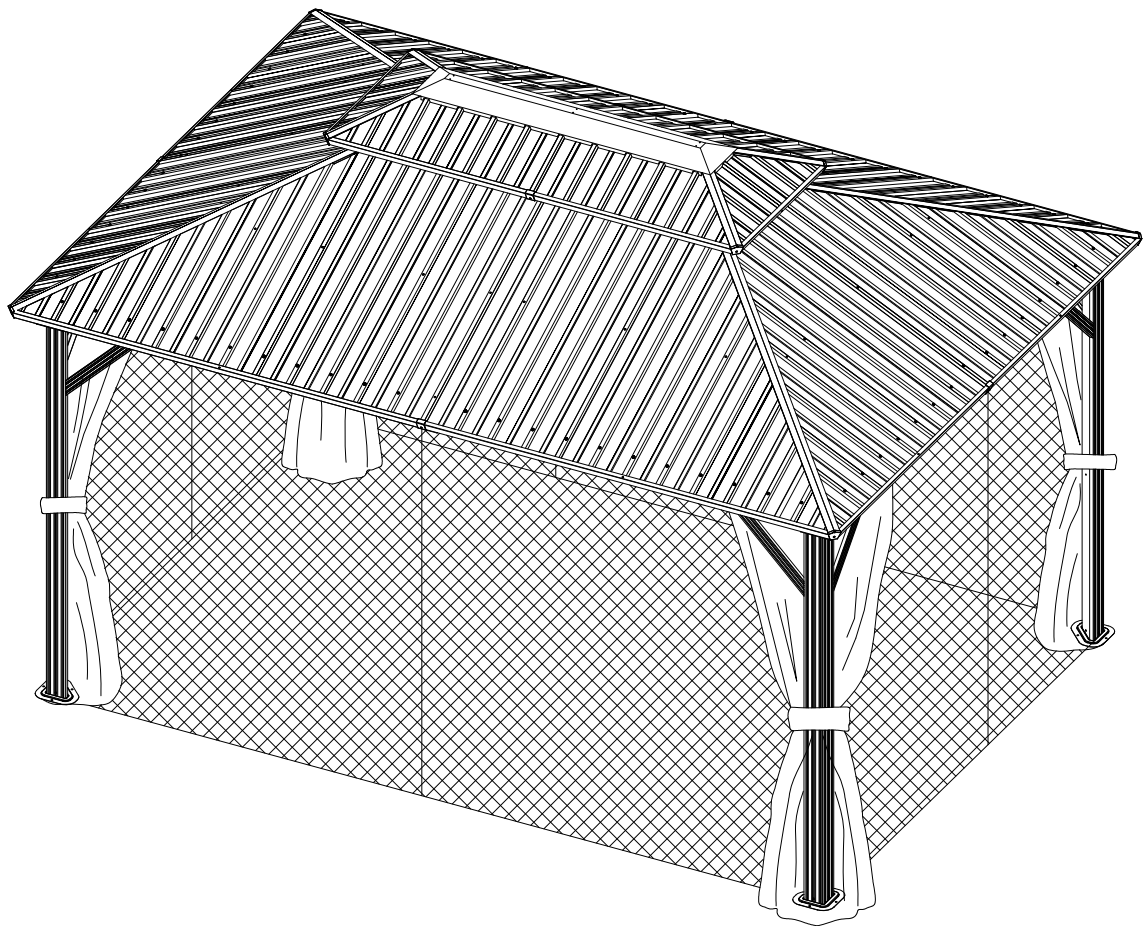


# 10' × 12' Metal Patio Gazebo

## ASSEMBLY MANUAL



MODEL# : LGMF1596B

Missing part? Damaged? Contact us via email at

[service@domioutdoorliving.com](mailto:service@domioutdoorliving.com)

[www.domioutdoorliving.com](http://www.domioutdoorliving.com)

# Pre-assembly



1. Two or more people are required for assembly.



2. You will need one or more stepladders.



3. Wearing protective gloves is recommended.



4. You may need a safety hat.



5. Please use a Phillips screw driver.



6. For ease of construction, you may need a drill.



7. You may need a safety goggle.



8. Do not fully tighten screws prior to complete assembly.

## Warning & Attention

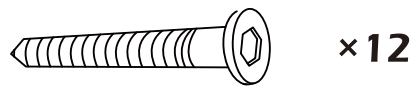
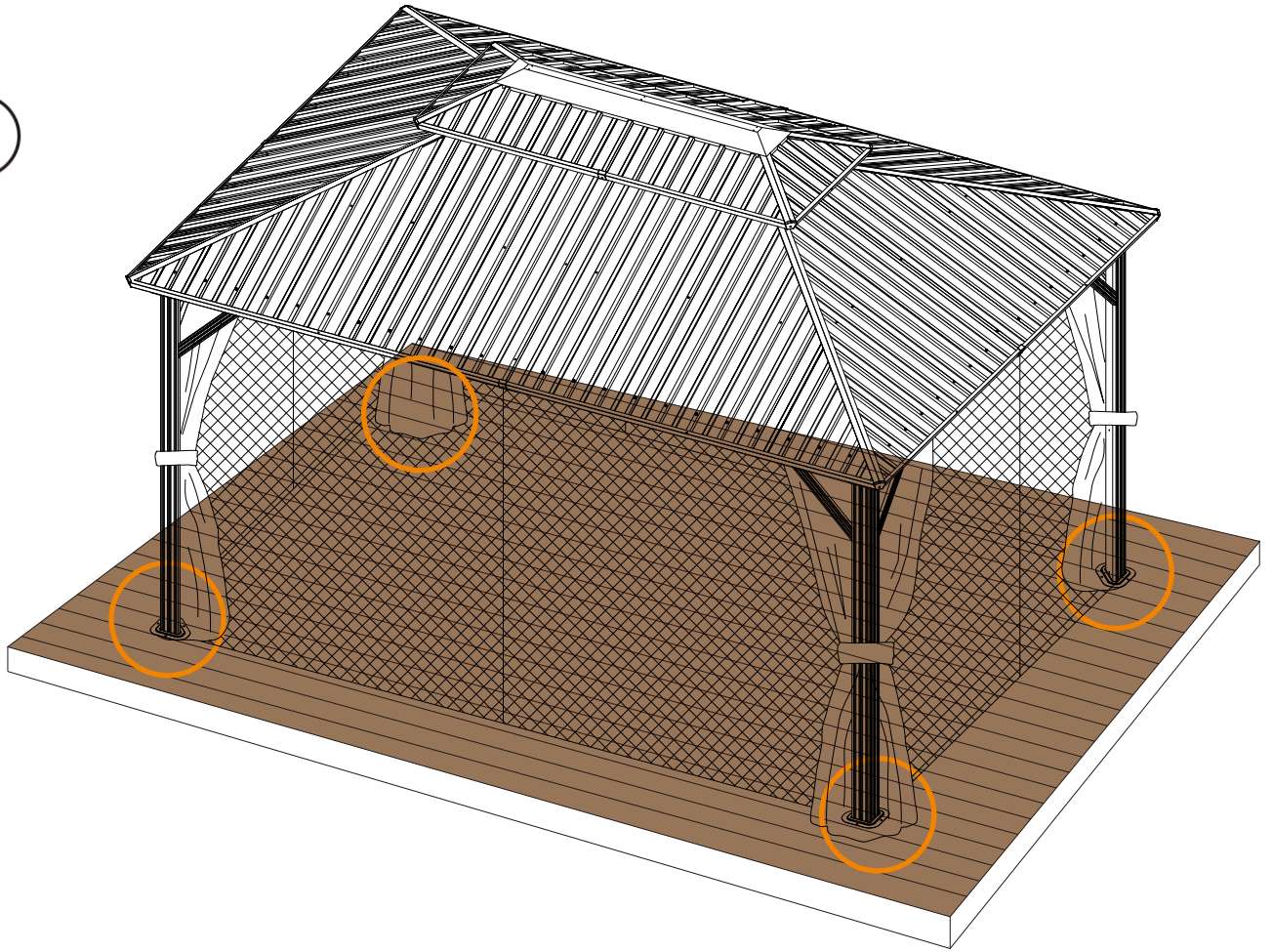
-Try to assemble this product on the flat ground, otherwise it is difficult to carry out;

-It would be much easier to assemble the product with three or more people;

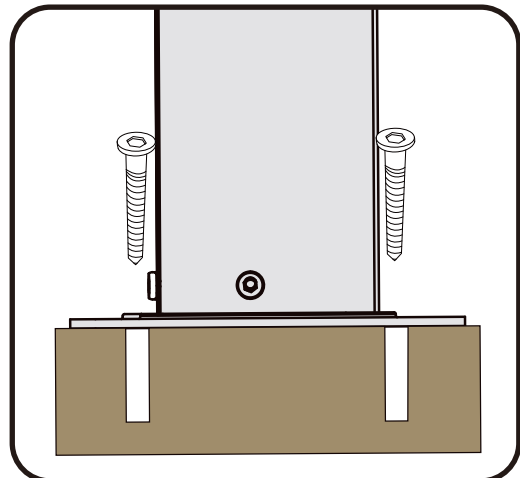
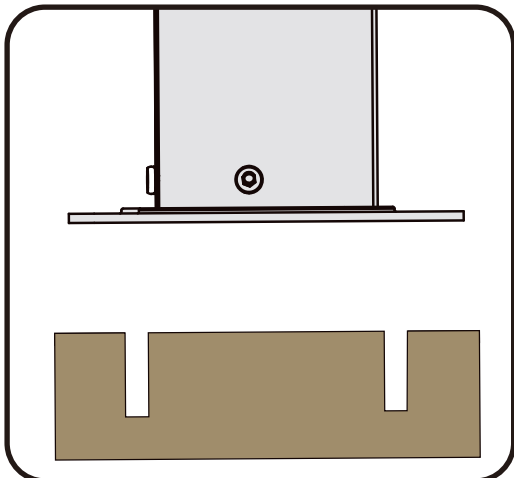
-After assembly, please check whether all screws are tightened, to prevent parts from falling apart.

▲ Use bolts to secure the frame to the ground to against the strong wind.

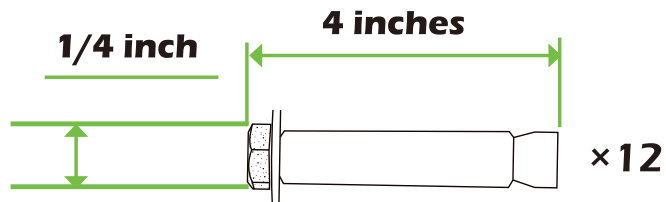
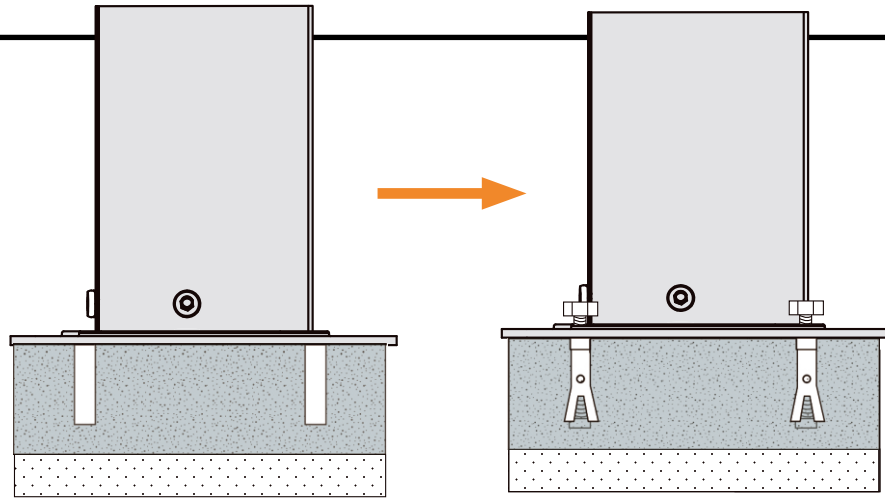
1



If the deck is hard wood and the depth of it is over 3 inch, you can use **5/16 in. x4 in. Structural Wood Screw** to mount the gazebo.

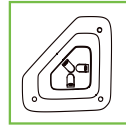
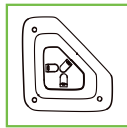
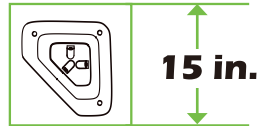
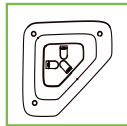


2



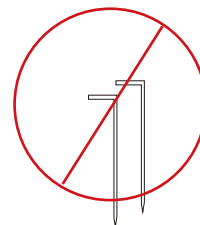
If the ground is concreted and the depth of it is over 3 inch, you can use 1/4 inch expansion bolts to mount the gazebo

3



Or you can make a concrete footing for gazebo, **15×15×15 inches** is recommended. use expansion bolts to mount the pergola like (2) shows.

**IMPORTANT:**  
Anchor is not recommended





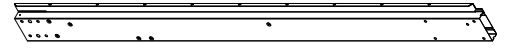
A 4x Pole



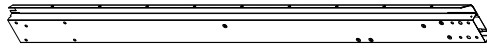
C 2x Beam



C1 2x Beam



D 2x Beam



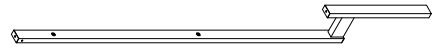
D1 2x Beam



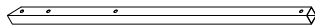
E 4x Corner Roof Bar



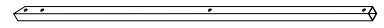
E1 4x Corner Roof Bar Connector



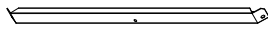
E2 4x Roof Bar



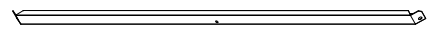
F 4x Solidifying Bar



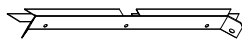
G 4x Solidifying Bar



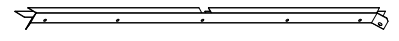
H 2x Finishing Bar



H1 2x Finishing Bar



J 2x Finishing Bar



J1 2x Finishing Bar



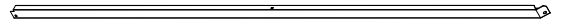
K 2x Finishing Bar



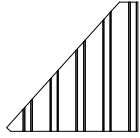
K1 2x Finishing Bar



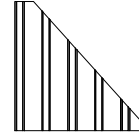
(K2) 2x Finishing Bar



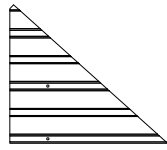
(K3) 2x Finishing Bar



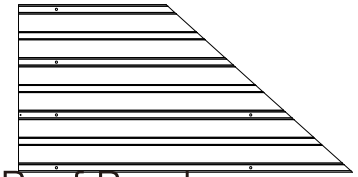
(L1) 2x Roof Panel



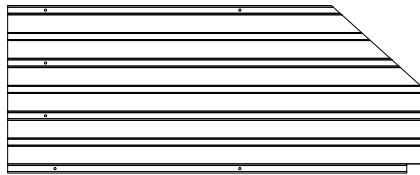
(L2) 2x Roof Panel



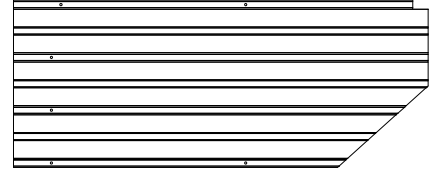
(M1) 2x Roof Panel



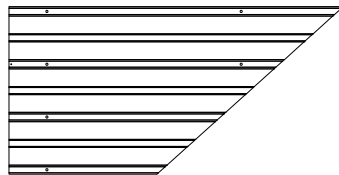
(M2) 2x Roof Panel



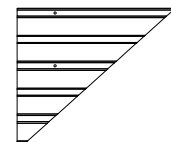
(M3) 2x Roof Panel



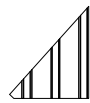
(M4) 2x Roof Panel



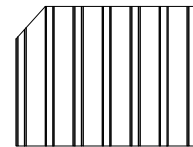
(M5) 2x Roof Panel



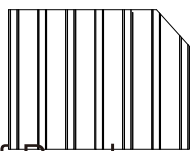
(M6) 2x Roof Panel



(N1) 2x Roof Panel



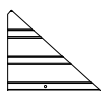
(N2) 2x Roof Panel



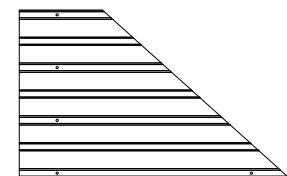
(N3) 2x Roof Panel



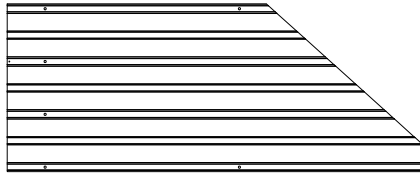
(N4) 2x Roof Panel



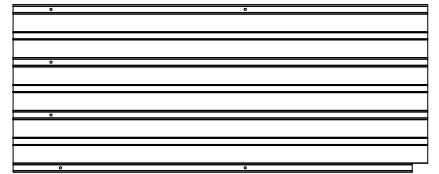
(P1) 2x Roof Panel



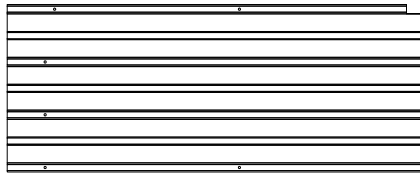
(P2) 2x Roof Panel



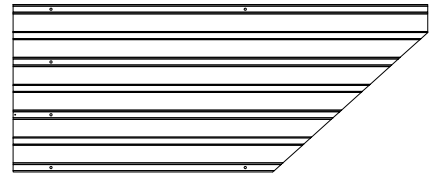
**P3** 2x Roof Panel



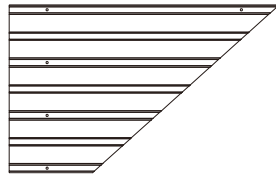
**P4** 2x Roof Panel



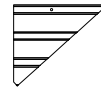
**P5** 2x Roof Panel



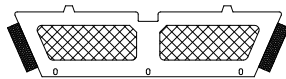
**P6** 2x Roof Panel



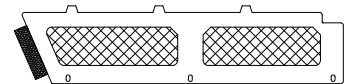
**P7** 2x Roof Panel



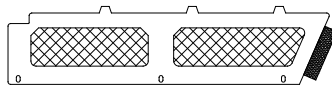
**P8** 2x Roof Panel



**Q** 2x Net Frame



**Q1** 2x Net Frame



**Q2** 2x Net Frame



**T** 2x Track



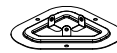
**T1** 2x Track



**T2** 2x Track



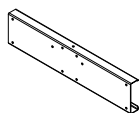
**T3** 2x Track



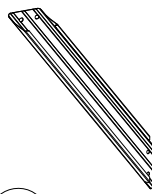
**B** 4x Base



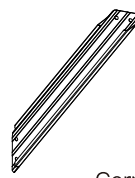
**B1** 8x Bracket



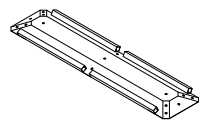
**C2** 4x Union Bar



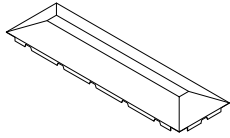
**R** 4x Corner Solidifying Bar



**R1** 4x Corner Solidifying Bar



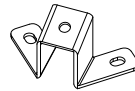
**S** 1x Inside Roof Connector



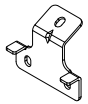
**S1** 1x Outside Roof Connector



**S2** 3x J-Hook



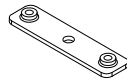
**U** 4x Bracket



**U1** 4x Bracket



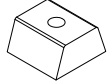
**U2** 4x Bracket



**U3** 4x Bracket



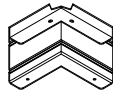
**V** 104x Hook



**W** 88x Black Rubber



**X** 4x Joint Cover



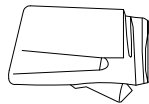
**X1** 4x Corner Cover



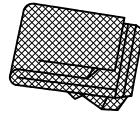
**X2** 4x Finishing End



**X3** 12x Finishing End



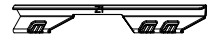
**Y** 4x Curtains



**Y1** 4x Mosquito Netting



**Z** 60x Plastic Bracket



**Z1** 2x Plastic Bracket



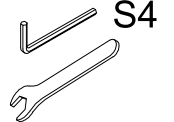
**Z2** 2x Plastic Bracket



**Z3** 4x Plastic Bracket



**Z4** 4x Plastic Bracket



**1** 1x S4



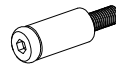
**ST6.3x15**

**2** 24x



**ST5x16**

**3** 24x



**M6x35**

**4** 32x



**M6**

**5** 92x



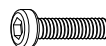
**M6x10**

**7** 20x



**M6x16**

**8** 200x



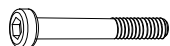
**M6x25**

**9** 8x



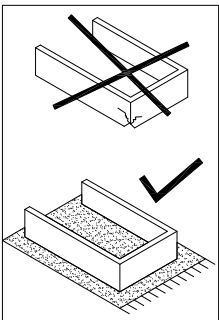
**M6x28**

**10** 64x



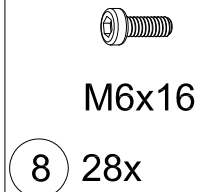
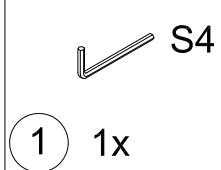
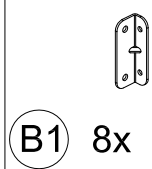
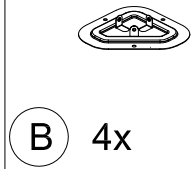
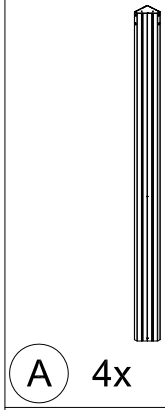
**M6x50**

**12** 16x

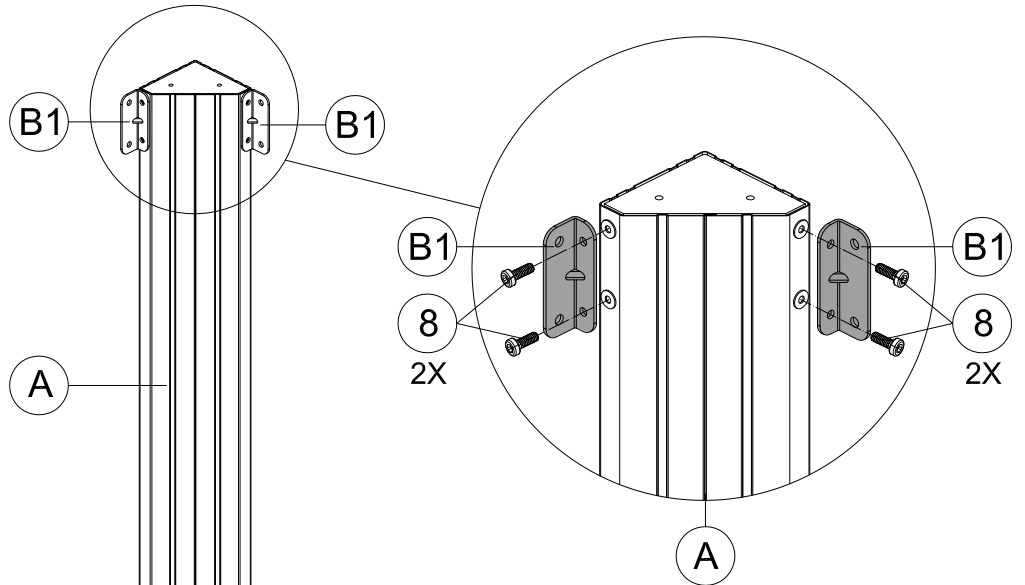


**5**

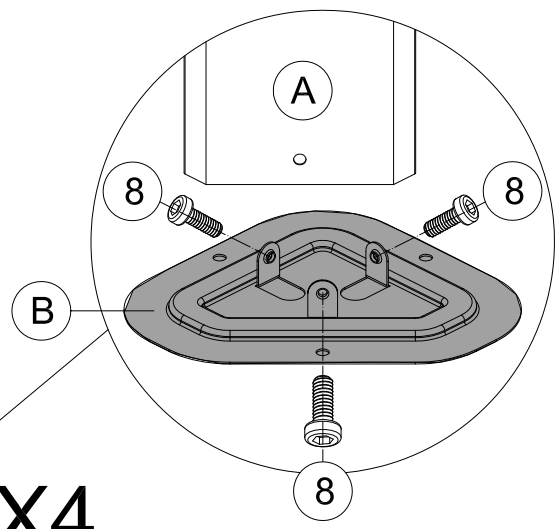
# POST ASSEMBLY:



6



(1) Attach 2 Part #B1 to Part #A with 4 Bolts #8.

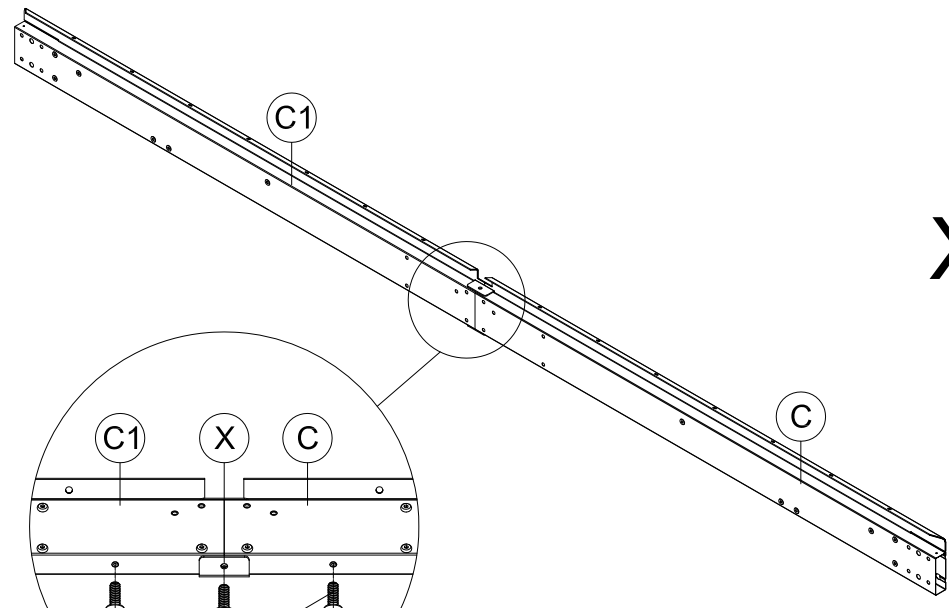
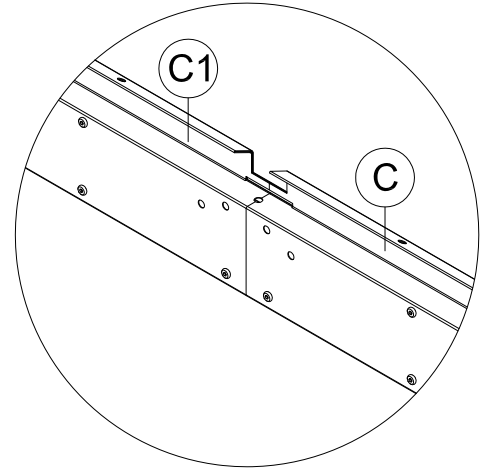
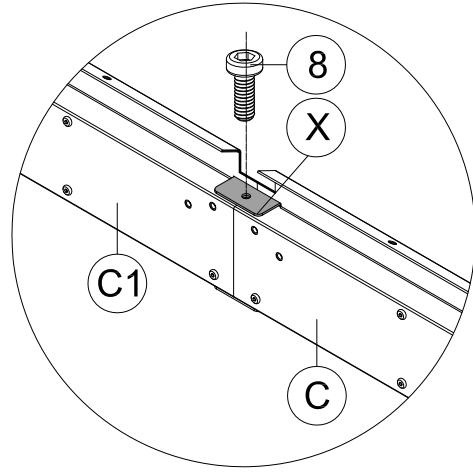
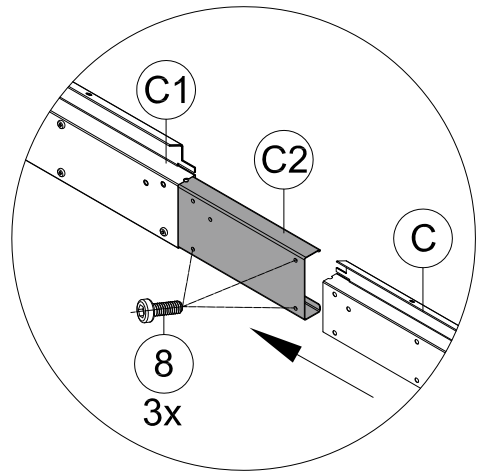
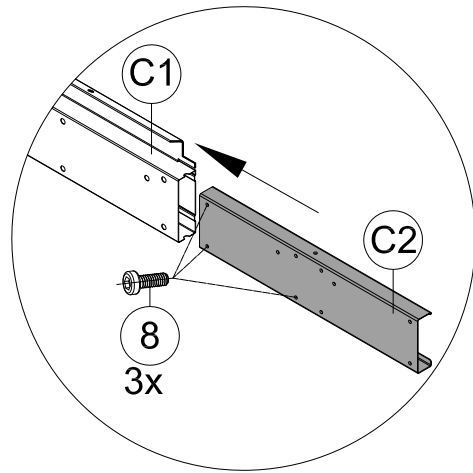
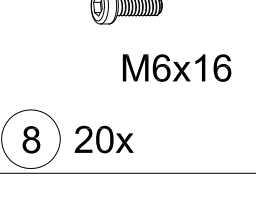
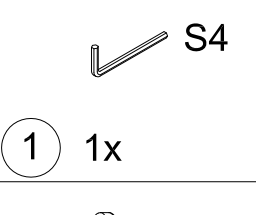
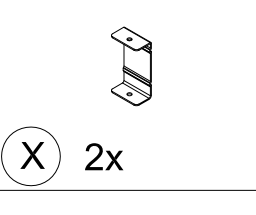
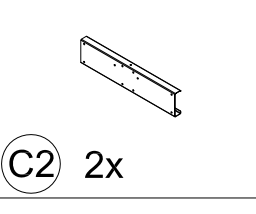
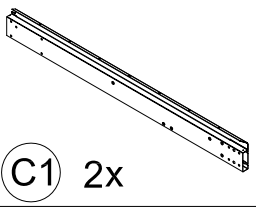
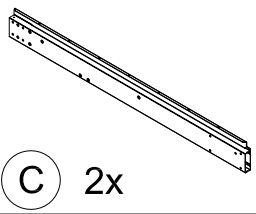


**X4**

(2) Attach Part #B to Part #A with 3 Bolts #8.

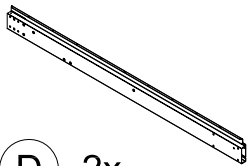
(3) Repeat the above procedures to assemble the other 3 Part #A.

# BEAM ASSEMBLY:

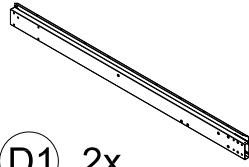


(6) Repeat the above procedures to assemble the another beam.

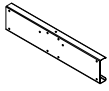
**X2**



D 2x



D1 2x



C2 2x



X 2x

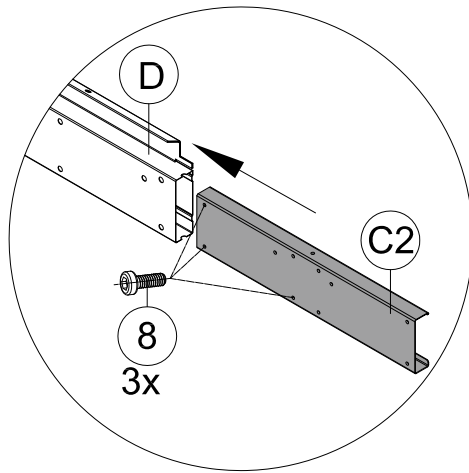


1 1x

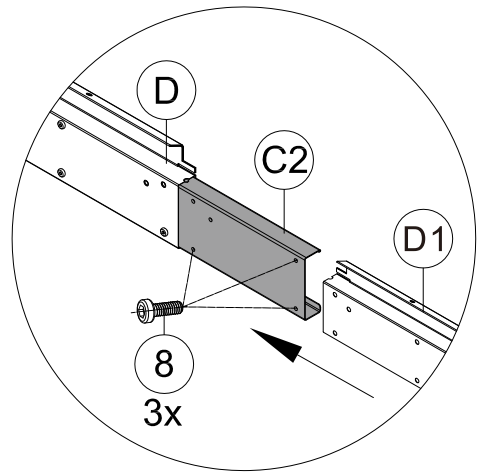


M6x16

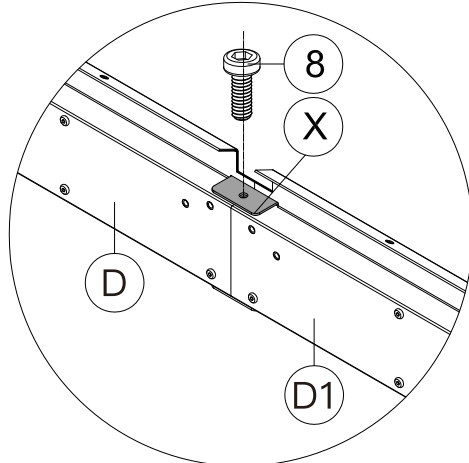
8 20x



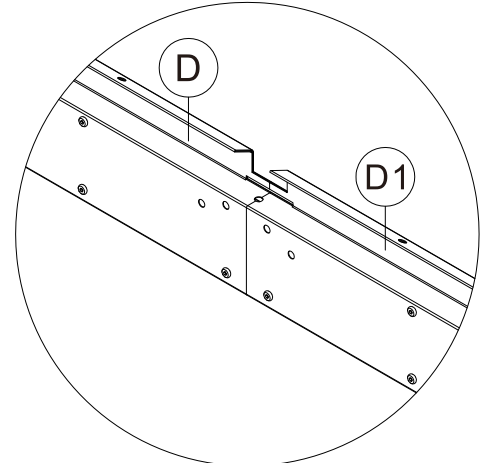
(1) Insert Part #C2 into Part #D. and secure with 3 Bolts #8.



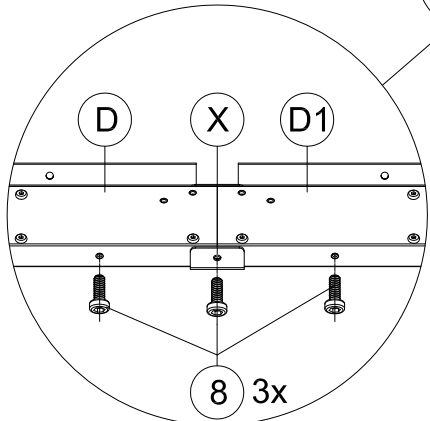
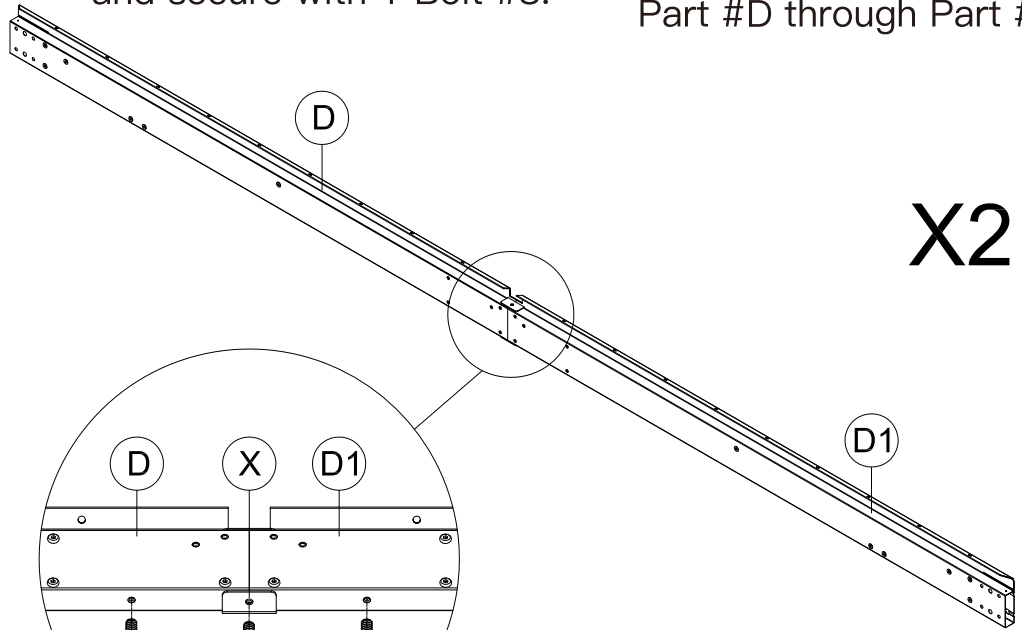
(2) Insert the other side of Part #C2 into Part #D1 and secure with 3 Bolts #8.



(4) Insert Part #X into the beam and secure with 1 Bolt #8.



(3) Connect Part #D1 and Part #D through Part #C2.



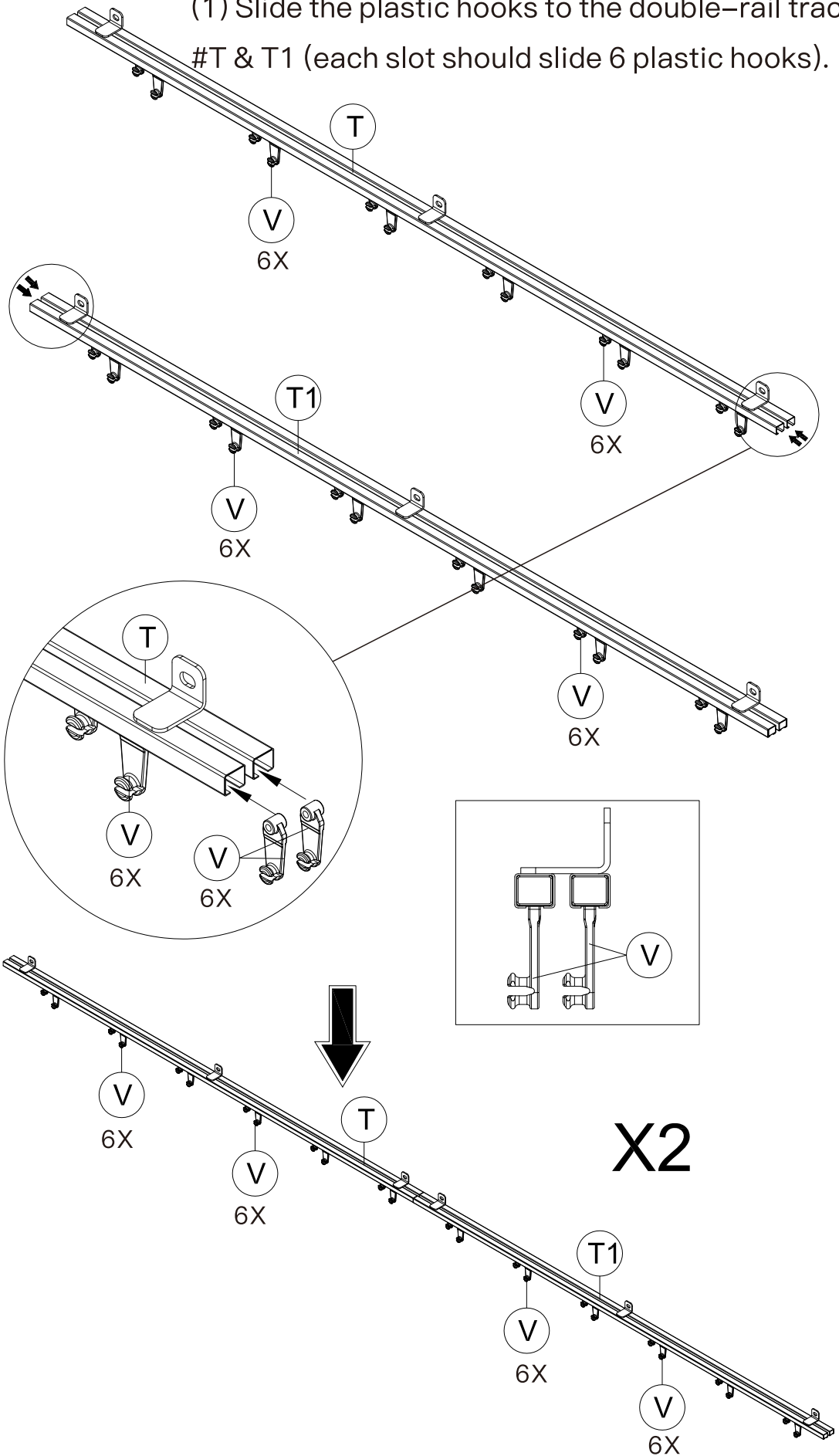
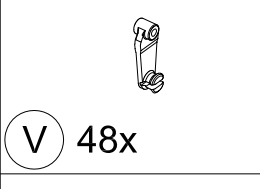
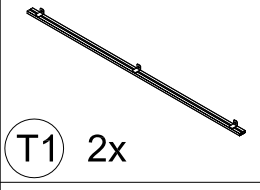
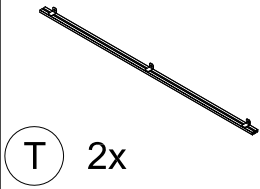
(5) Secure the bottom of Part #X and Part #D1 with 3 Bolts #8.

(6) Repeat the above procedures to assemble the another beam.

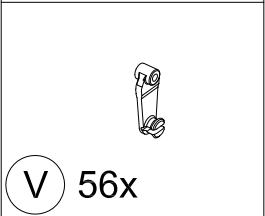
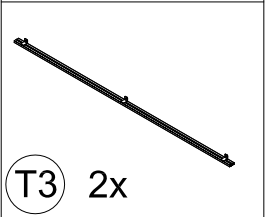
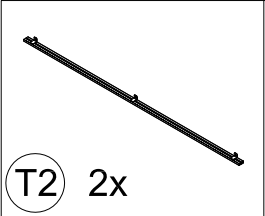
8

# TRACK ASSEMBLY:

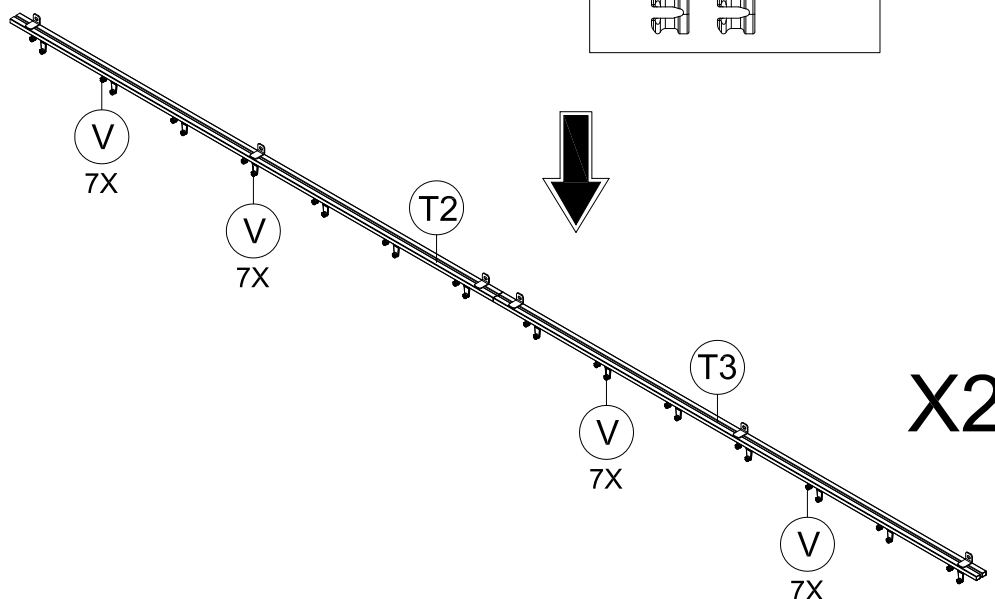
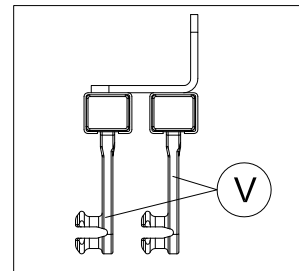
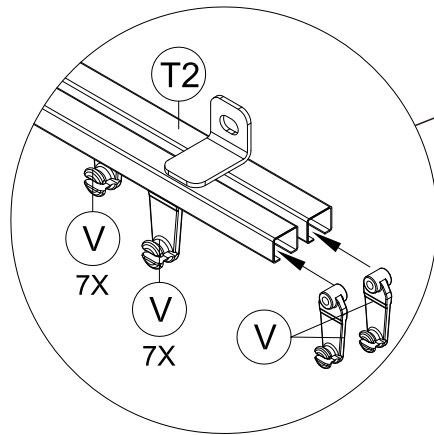
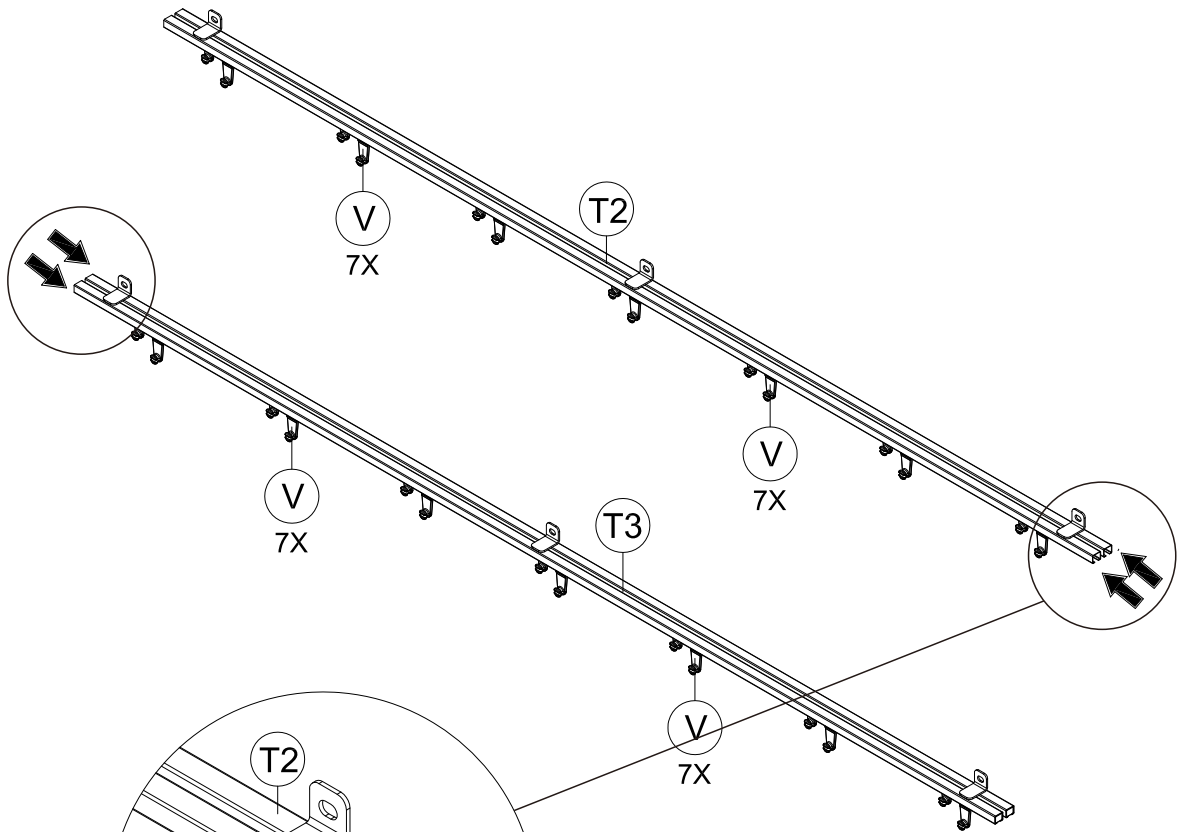
(1) Slide the plastic hooks to the double-rail track #T & T1 (each slot should slide 6 plastic hooks).



(2) Repeat the above procedures for the another track #T & T1.



(1) Slide the plastic hooks to the double-rail track #T2&T3 (each slot should slide 7 plastic hooks).



X2

10

(2) Repeat the above procedures for the another track #T2&T3.

✓ S4

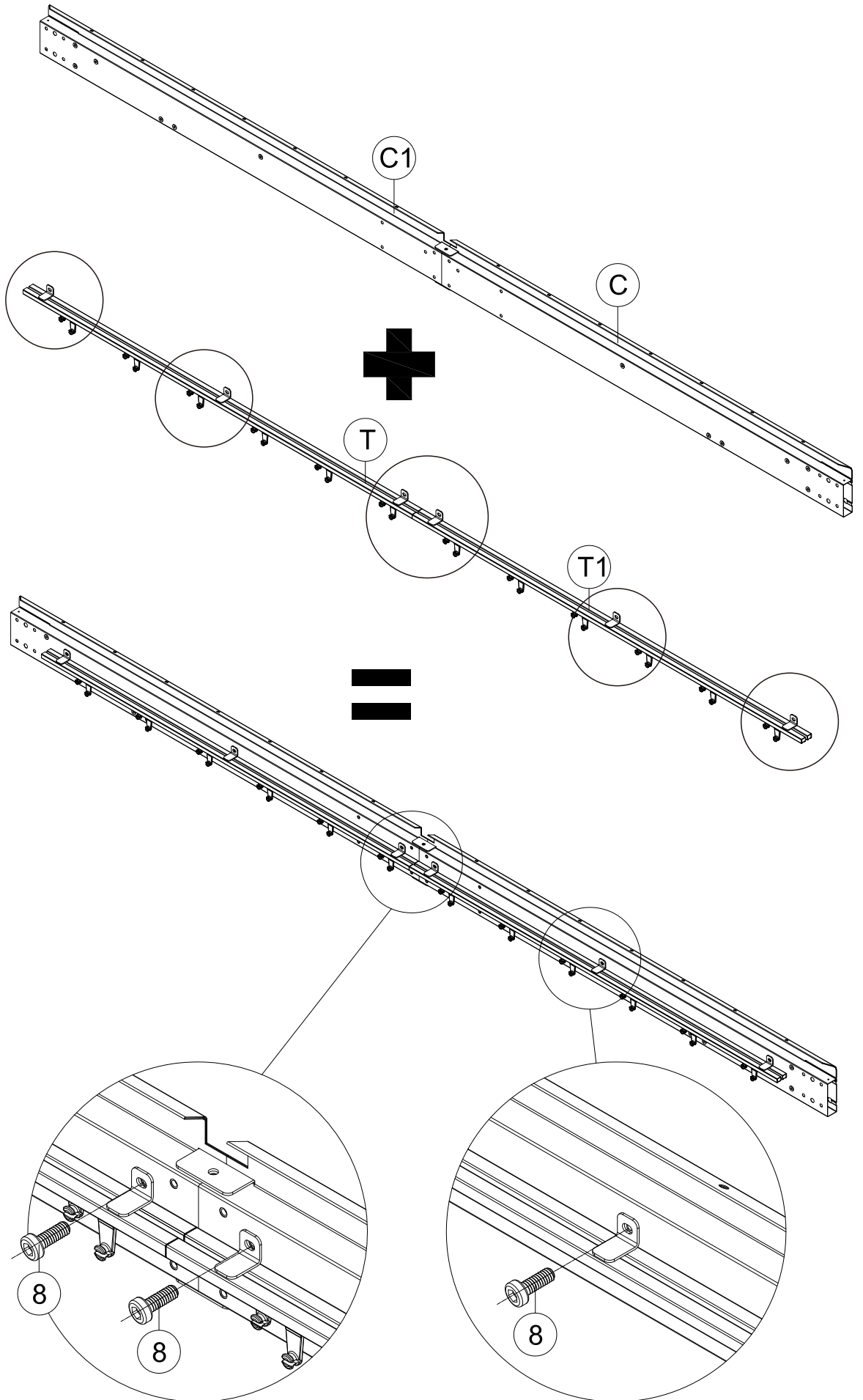
1 1x



M6x16

8 12x

(1) Use 6 Bolts #8 to fix the track T & T1 to the beam C & C1.



(2) Repeat the above procedures for the other beam.

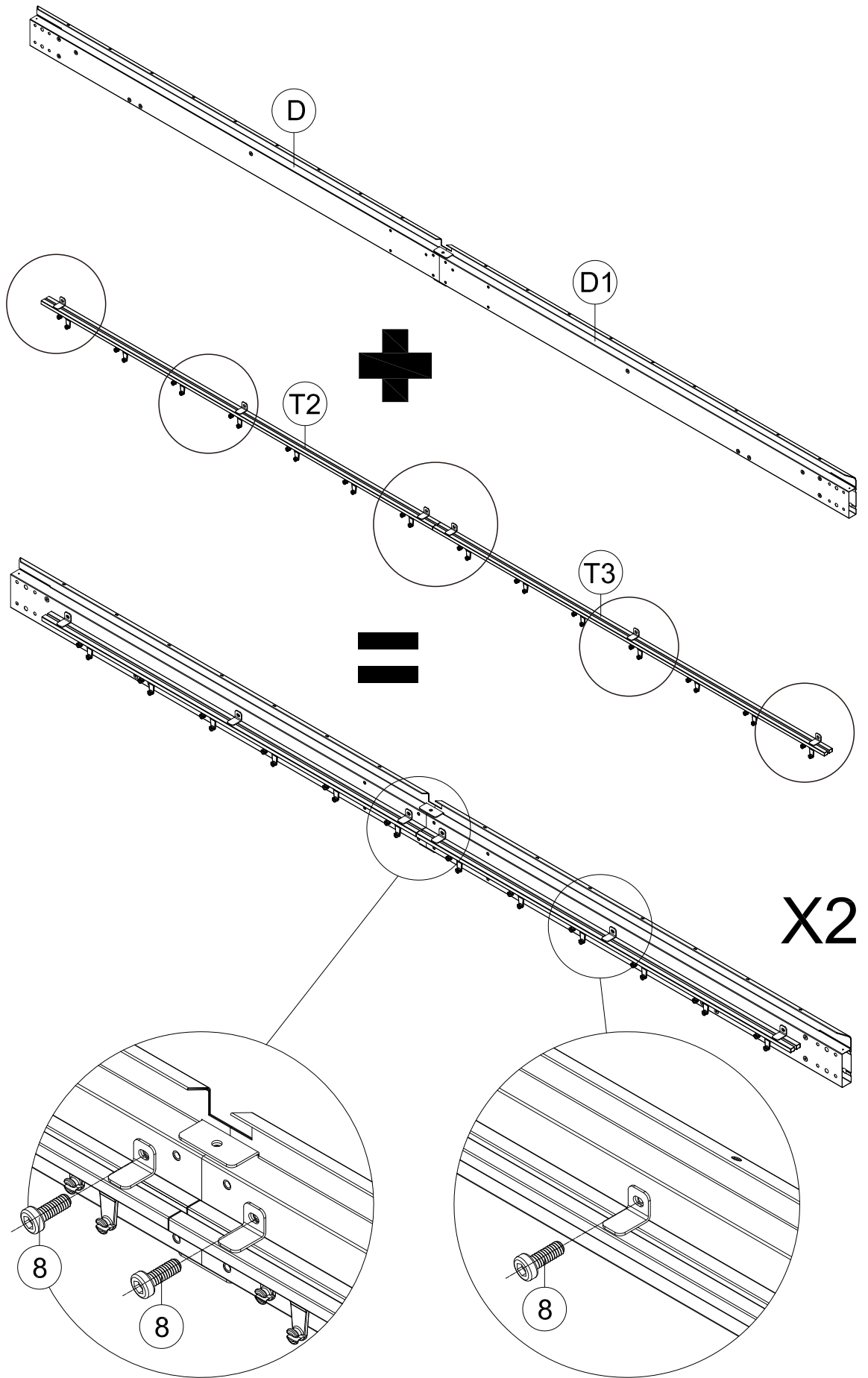
✓ S4

1 1x

M6x16

8 12x

(1) Use 6 Bolts #8 to fix the track #D&D1 to the beam #T2&T3.



12

(2) Repeat the above procedures for the other beam.

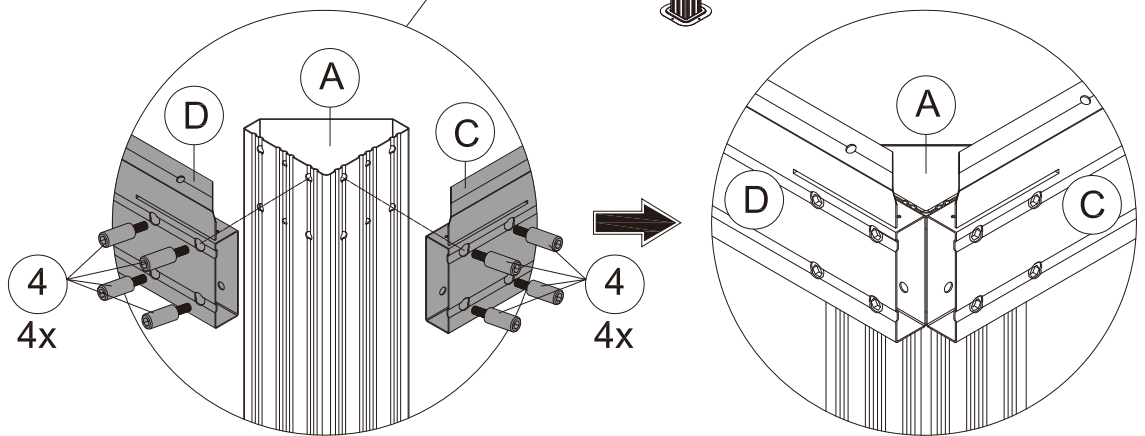
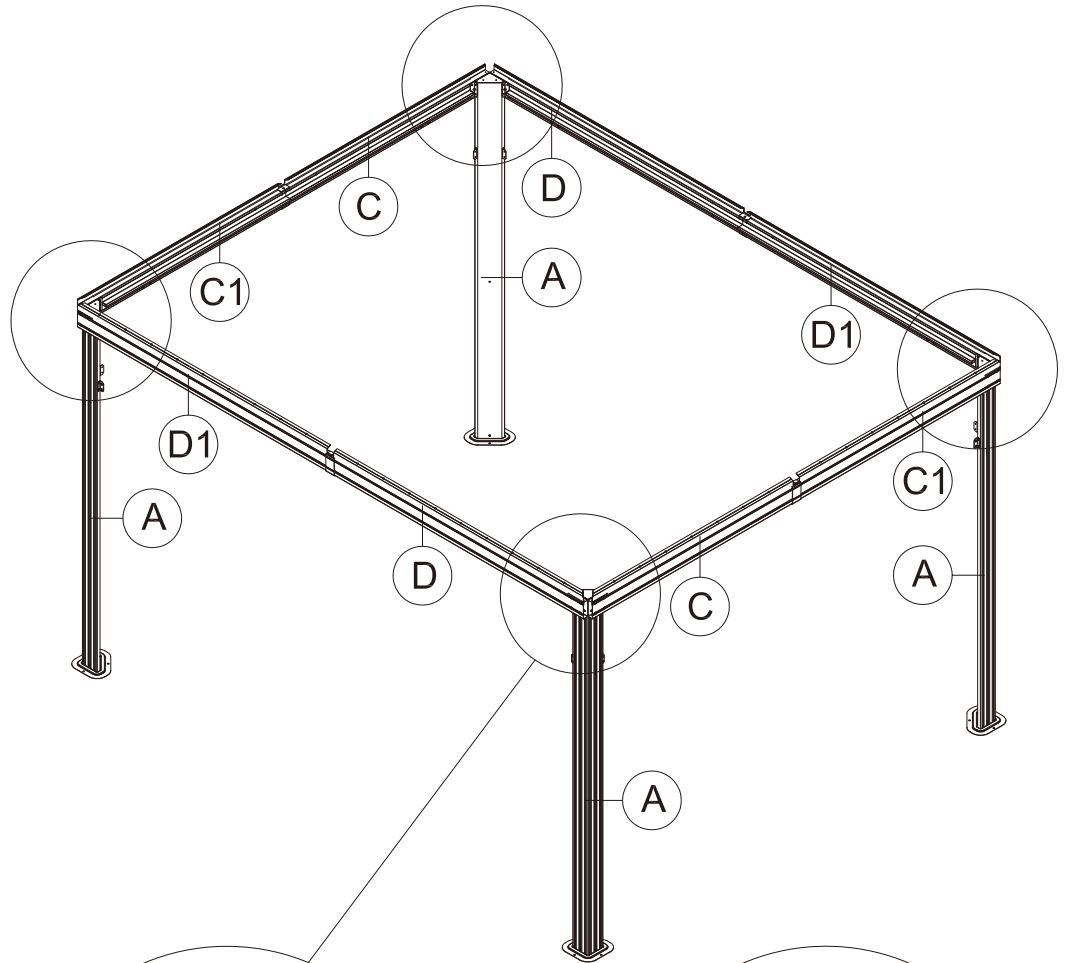


1 1x



M6x35

4 32x



(1) Connect Part #C/C1 and #D/D1 to Part #A with 8 Bolts #4. (From Outside)

(2) Repeat the above procedures to assemble the other 3 corners.

▲ Please don't tighten all bolts.

✓ S4

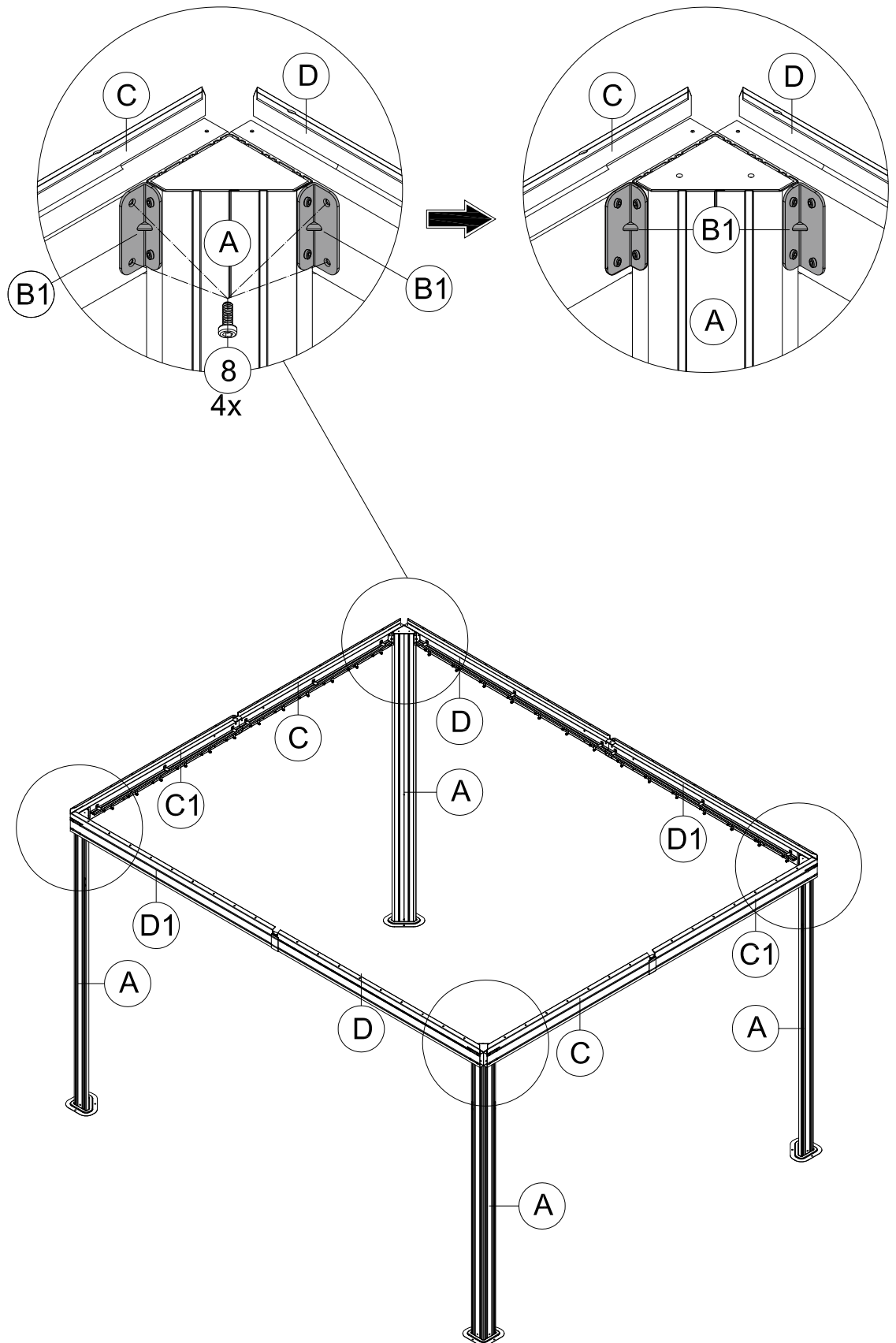
1 1x



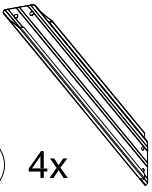
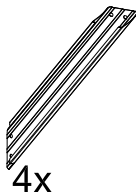

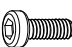
M6x16

8 16x

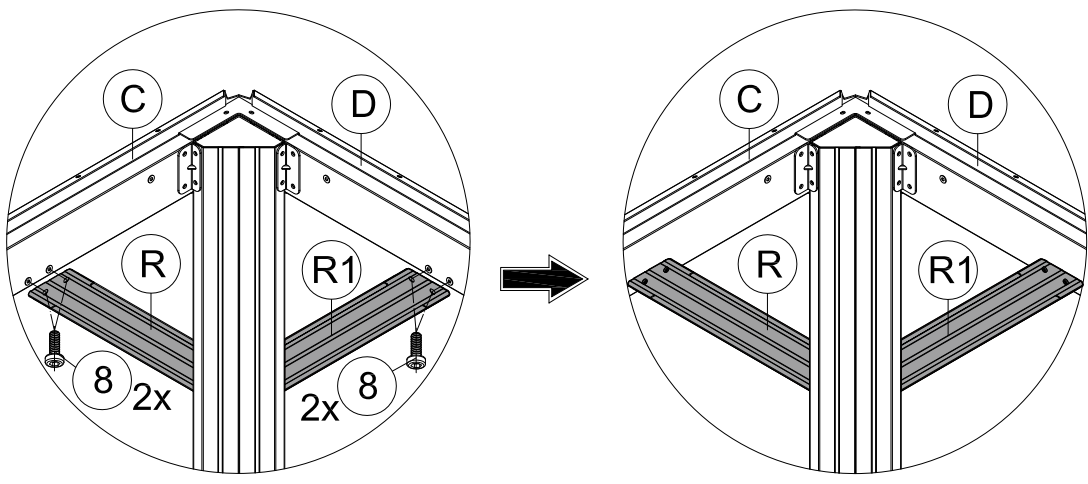
(1) Connect Part #C/C1 and #D/D1 to Part #A with 4 Bolts #8.  
(From Inside)



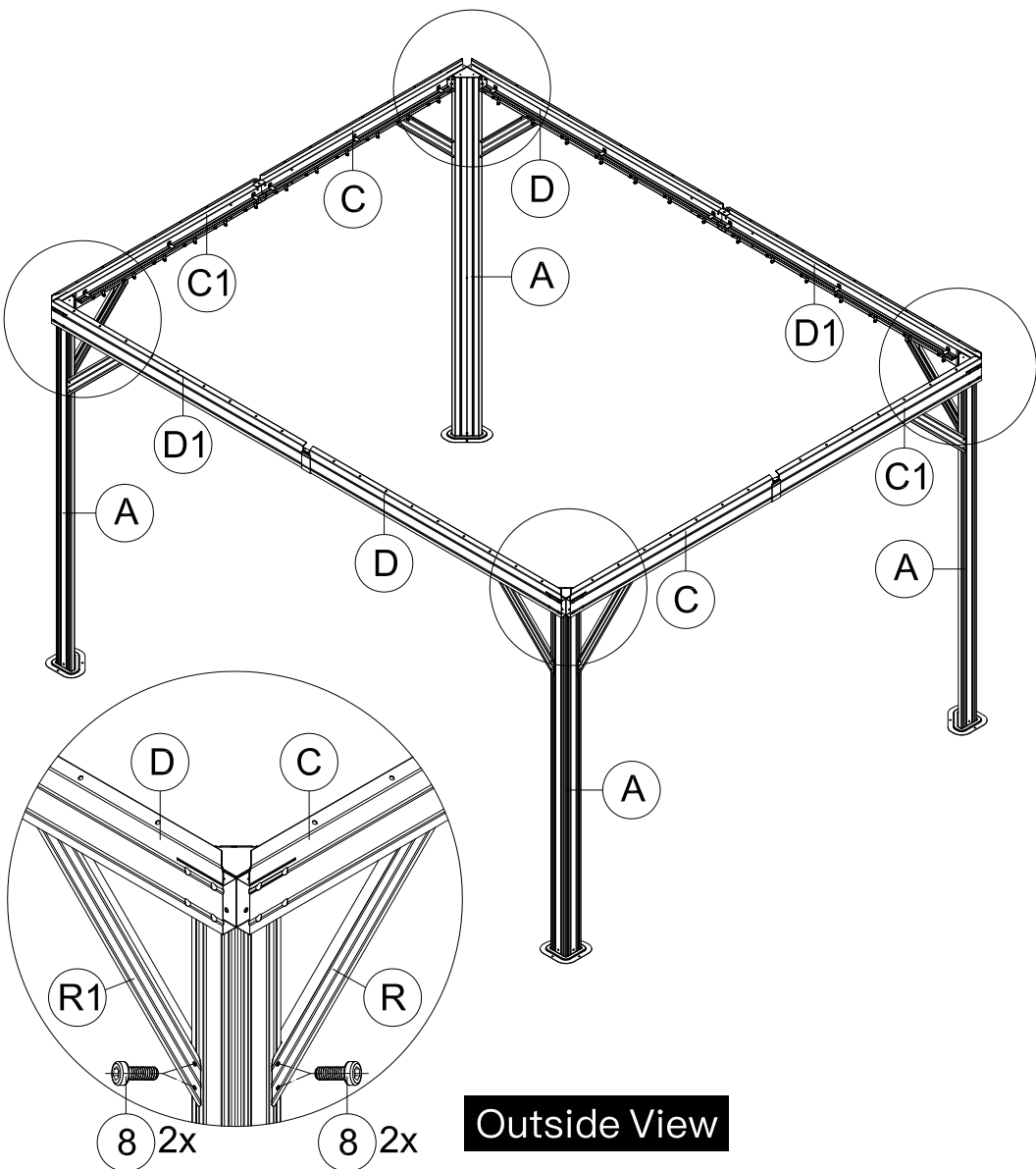
(2) Repeat the above procedures to assemble the other 3 corners.  
▲ Please don't tighten all bolts.

-  **R** 4x
-  **R1** 4x
-  **S4**
- 1** 1x
-  **M6x16**
- 8** 32x

(1) Affix Part #R and Part #R1 to the frame with 8 Bolts #8.



**Inside View**



**Outside View**

(2) Repeat the above procedures to assemble the other 3 corners.

▲ Tighten all bolts.

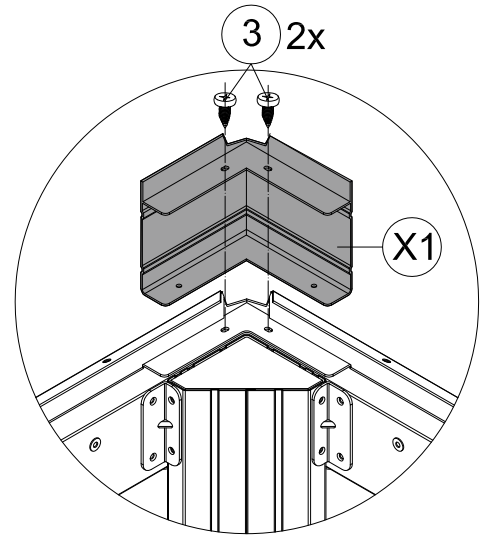
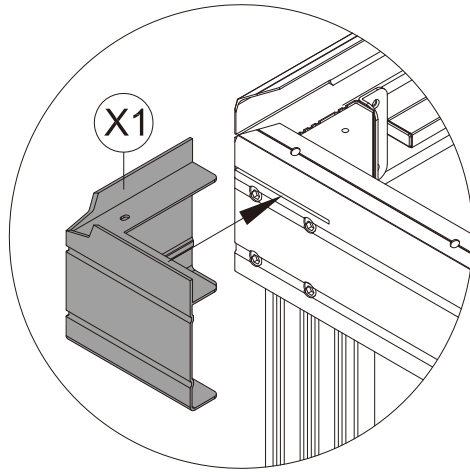


X1 4x



ST5x16

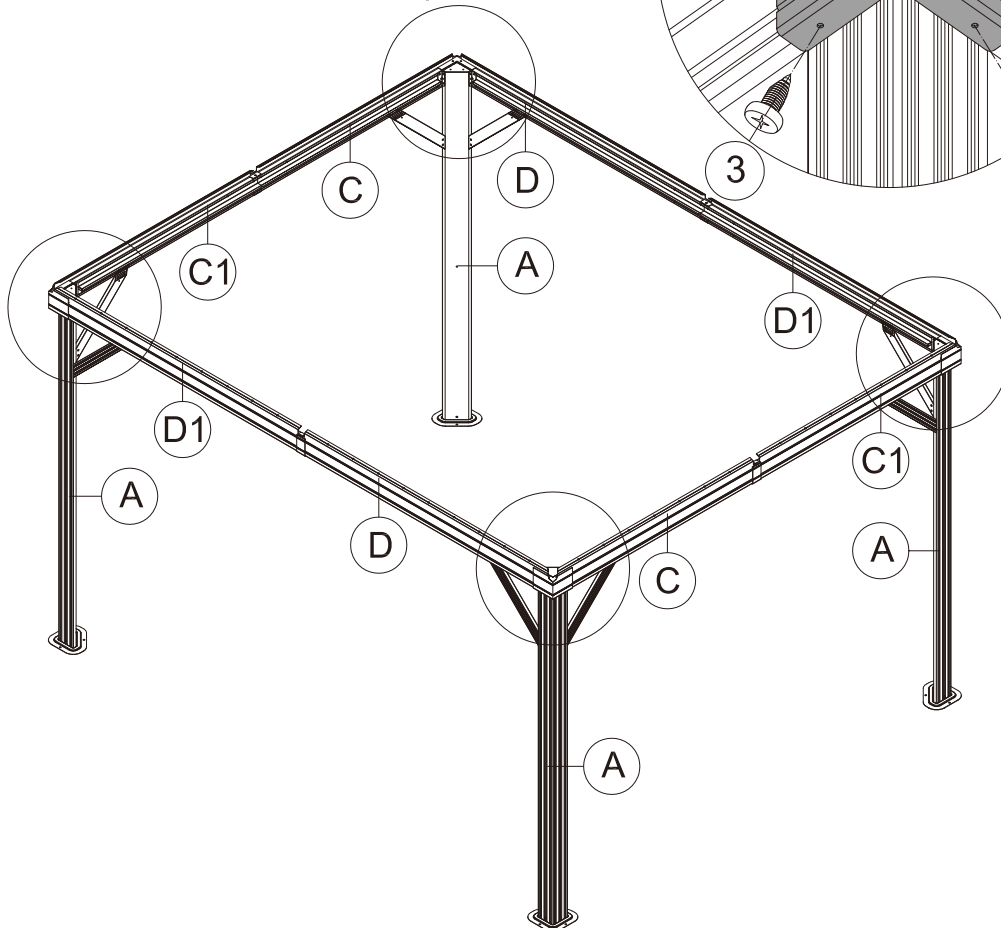
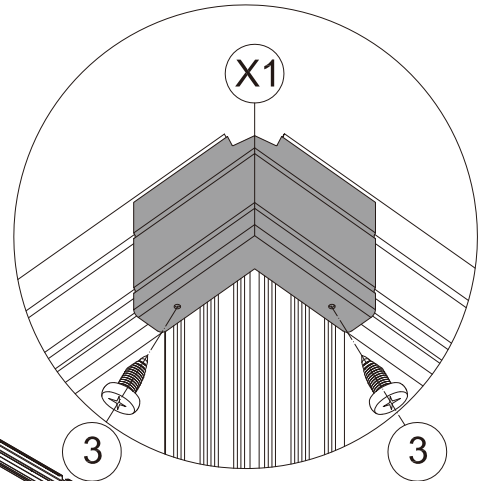
3 16x



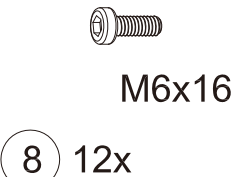
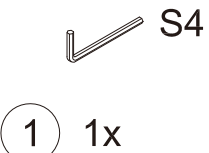
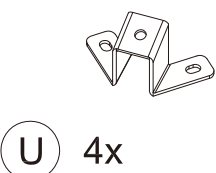
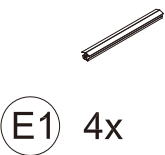
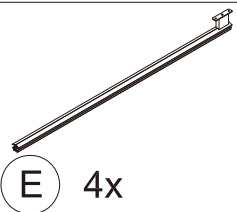
(1) Cover the corner with Part #X1. (2) Secure with 2 Self-tapping Screws #3. (from top to bottom)



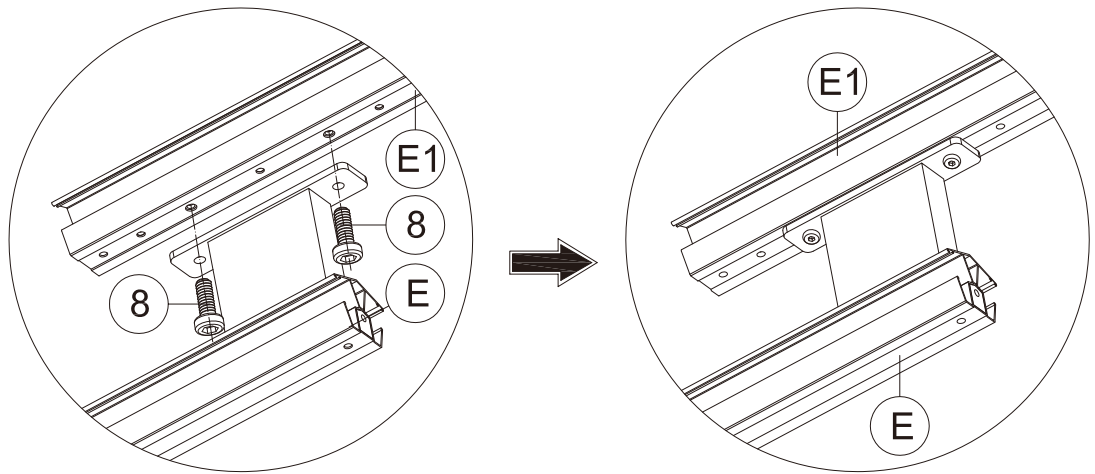
(3) Secure with 2 Self-tapping Screws #3. (from bottom to top)



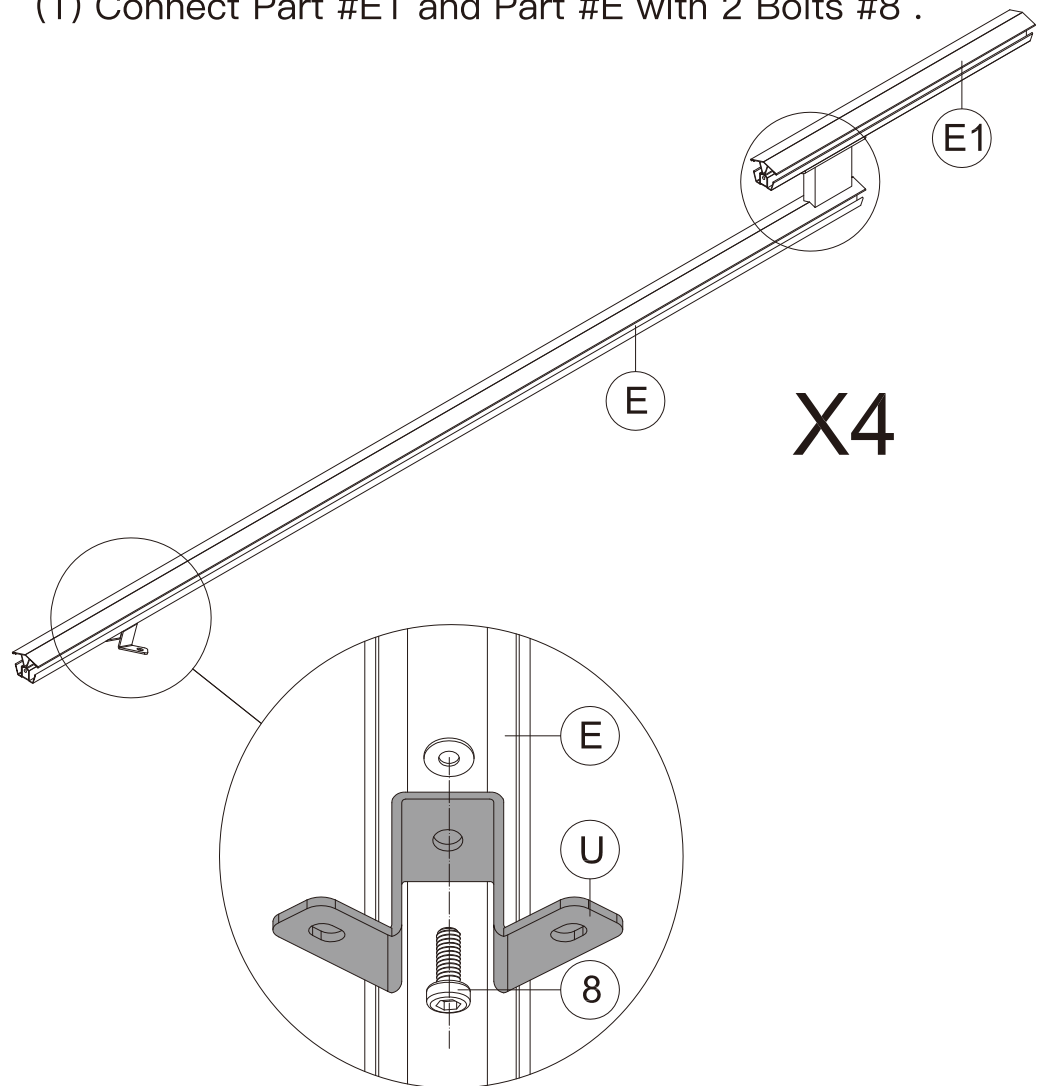
(4) Repeat the above procedures to assemble the other 3 corners.



**Assemble the 4 Corner Roof Bars:**

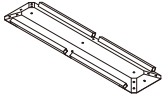


(1) Connect Part #E1 and Part #E with 2 Bolts #8 .



(2) Attach Part #U to Part #E with Bolt #8 .

(3) Repeat the above procedures to assemble the other 3 Corner Roof Bars.



S 1x



1 1x



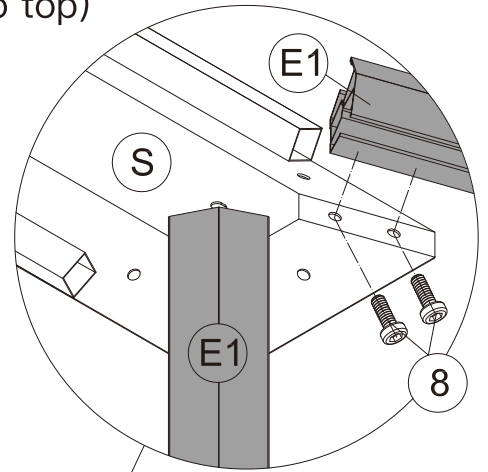
M6x16

8 16x

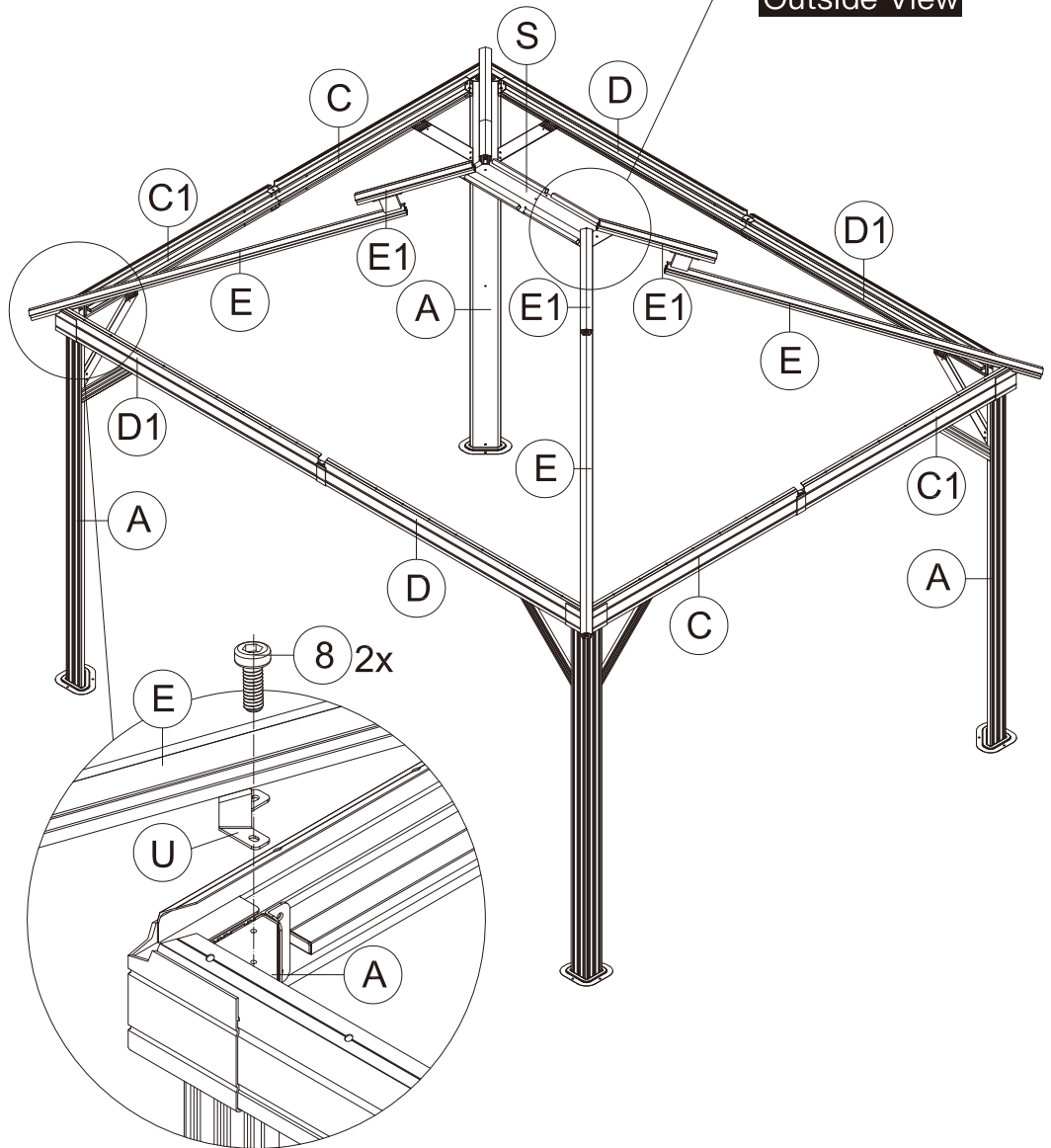
Please have a freestanding ladder ready at the center of the gazebo.

(1) Place 4 Part #E1 on the 4 corners of Part #S.  
Secure with 8 Bolts #8 (from bottom to top)

**ATTENTION:** You can also finish this step on the ground and then lift 4 corner roof bars and inside roof connector to the top together. (Need 2 people and 2 ladders)

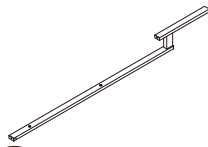
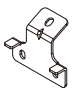
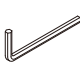



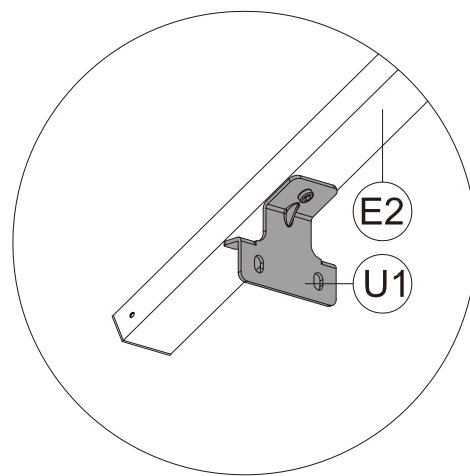
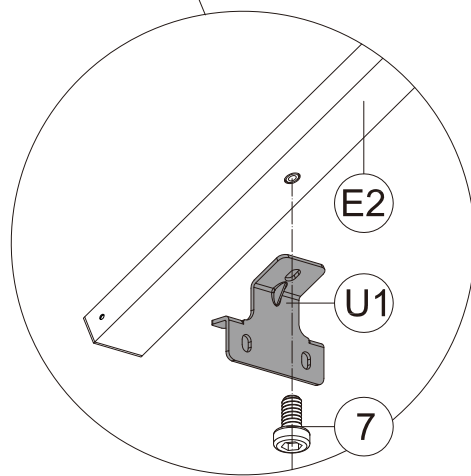
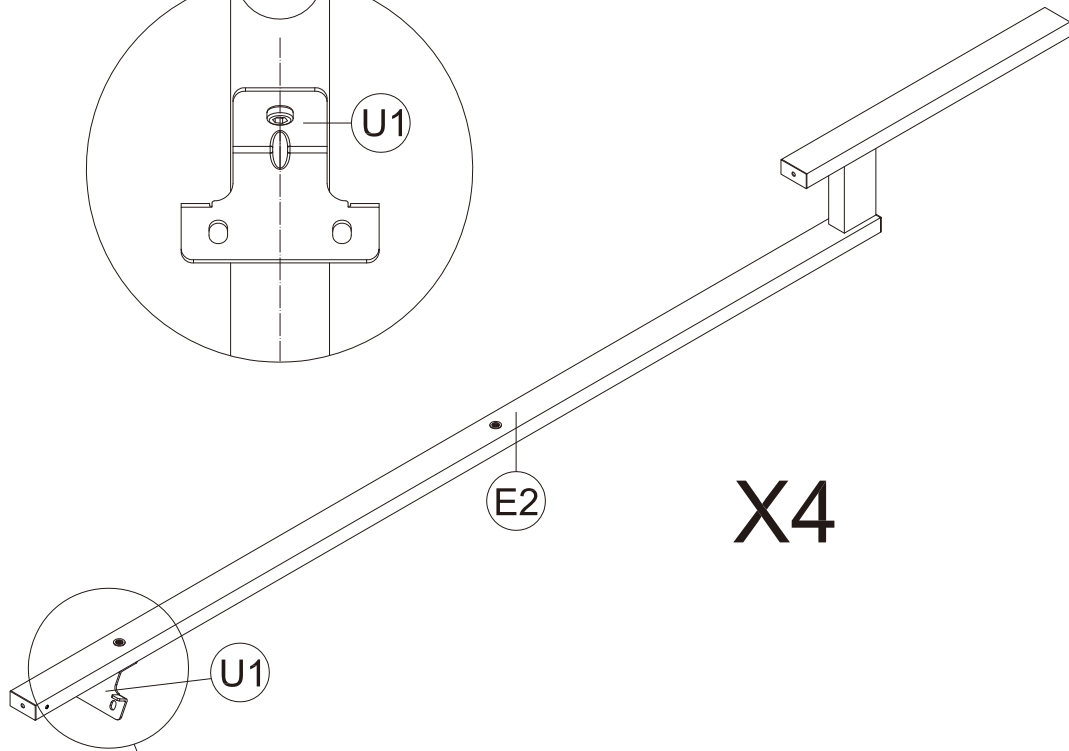
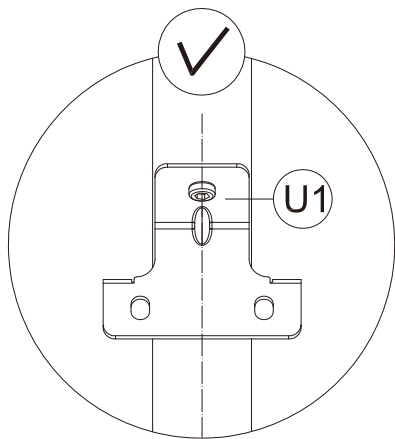
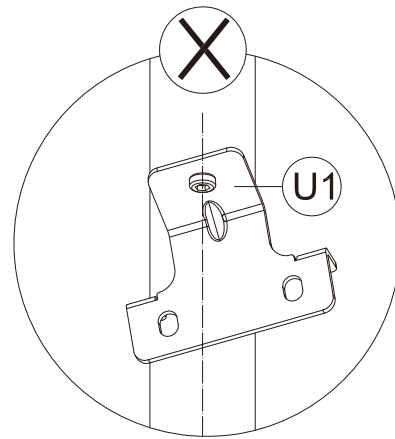
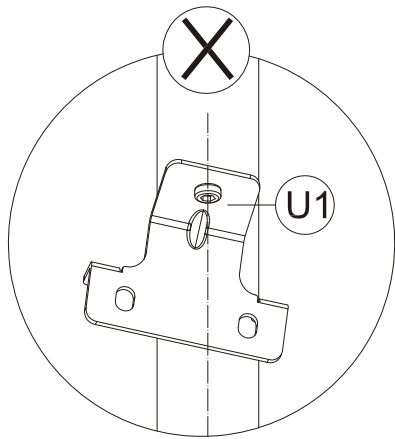
Outside View



Outside View

(2) Place 4 Part #E on 4 Part #A; Secure with 8 Bolts #8.

-  **E2** 4x
-  **U1** 4x
-  **S4**
- 1** 1x
-  **M6x10**
- 7** 4x



(1) Attach Part #U1 to Part #E2 with Bolt #7 .  
 (2) Repeat the above procedures to assemble the other 3 roof bars.



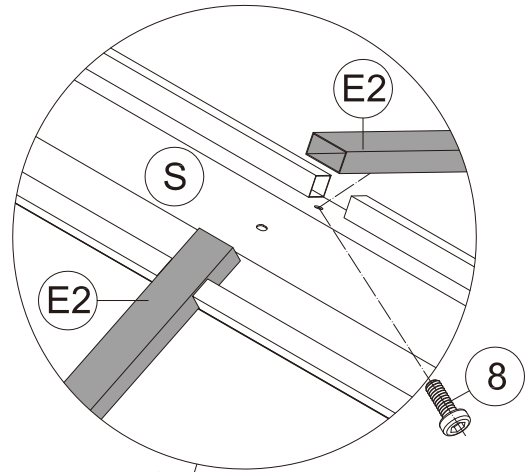
S4

1 1x



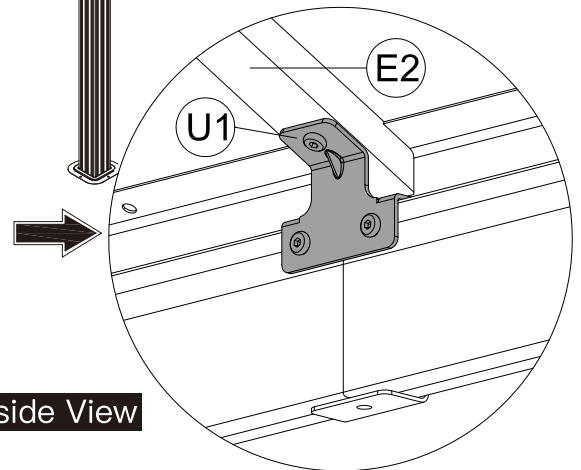
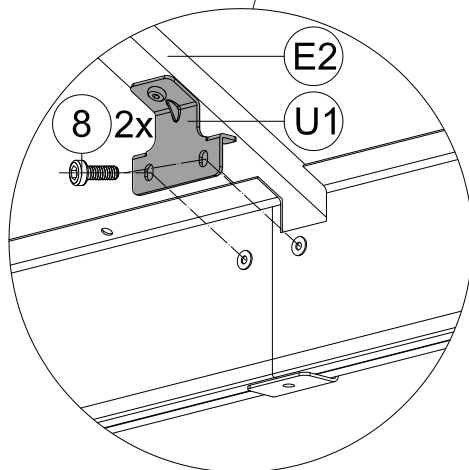
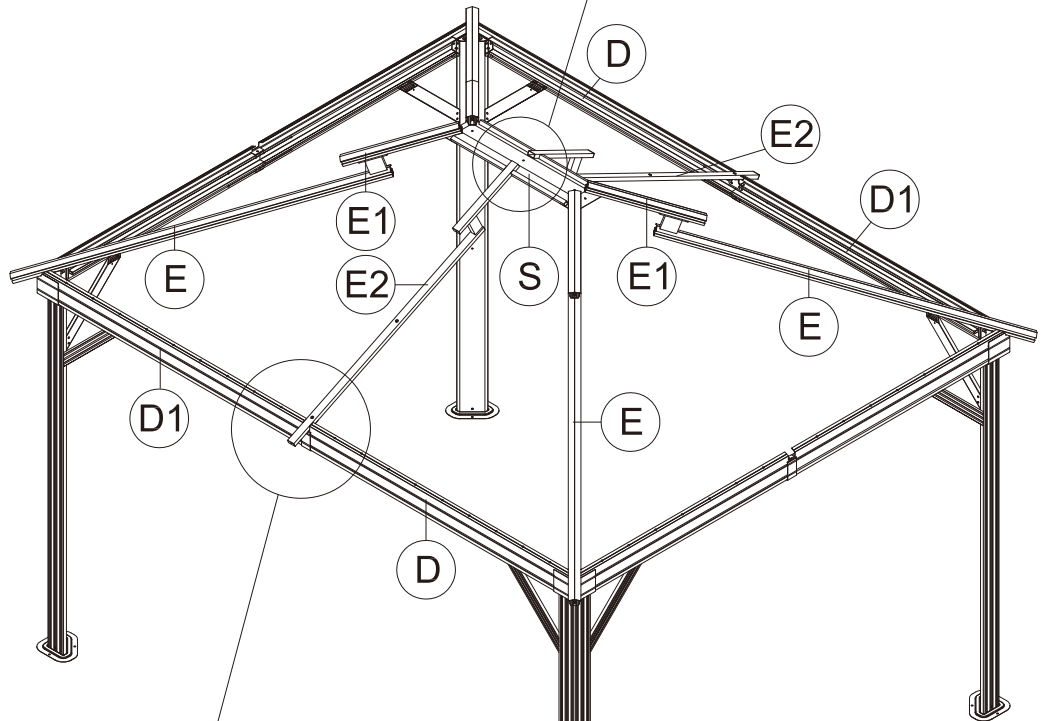
M6x16

8 6x



Outside View

(1) Place Part #E2 on Part #S.  
Secure with Bolt #8 (from bottom to top).



Inside View

(2) Connect Part #E2 and the Assembled Beam(D&D1) with part #U1.  
Secure with 2 Bolts #8.

(3) Repeat the above procedures to assemble the opposite side.



S4

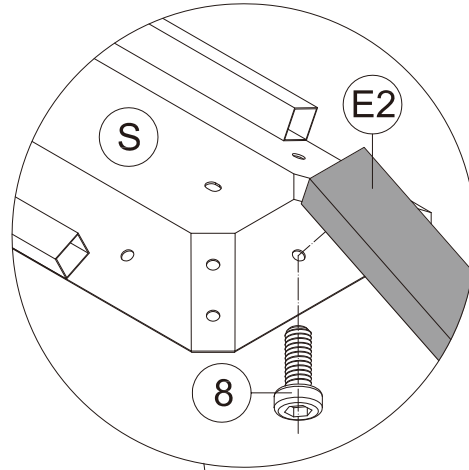
1 1x



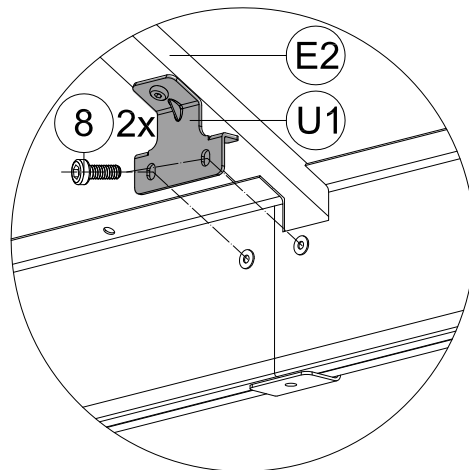
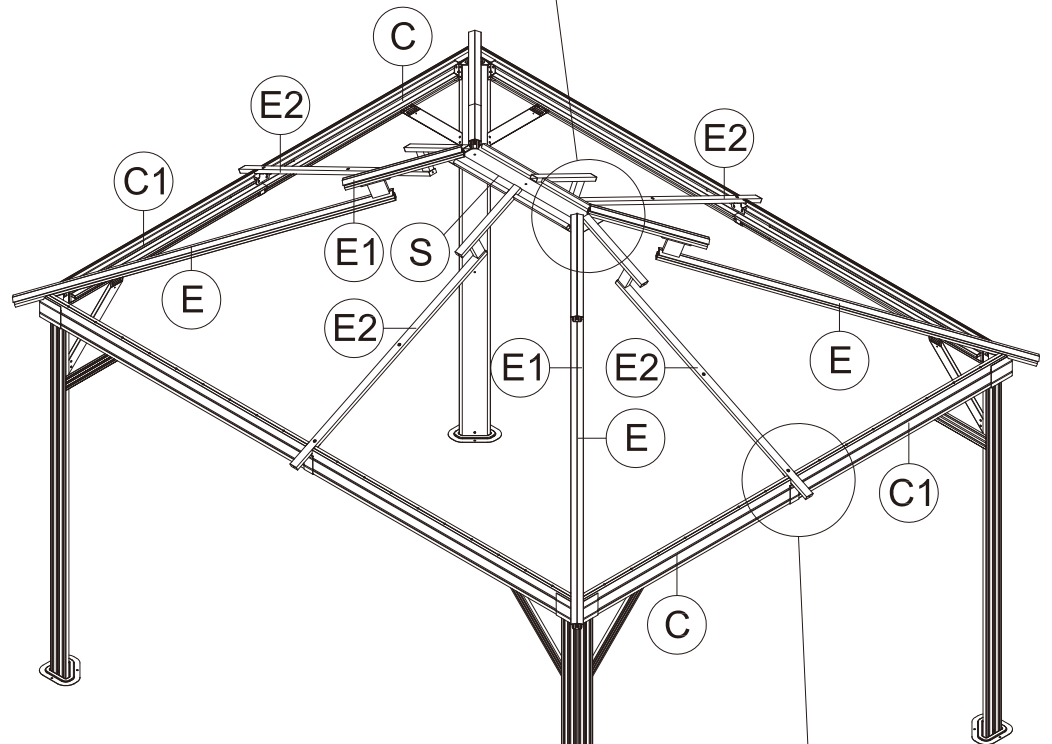
M6x16

8 6x

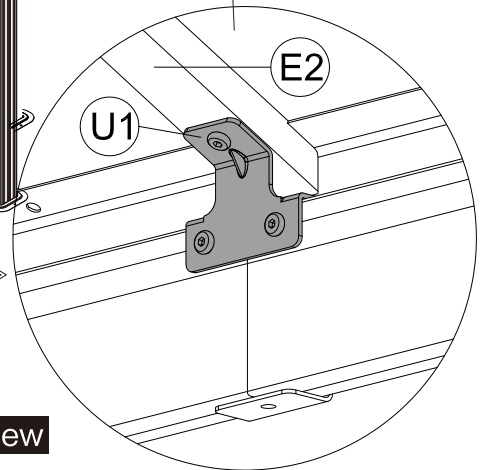
(1) Place Part #E2 on part #S. Secure with Bolt #8 (from bottom to top).



Outside View



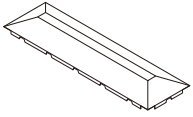
Inside View



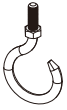
21

(2) Connect Part #E2 and the Assembled Beam(C&C1) with part #U1. Secure with 2 Bolts #8 .

(3) Repeat the above procedures to assemble the opposite side.

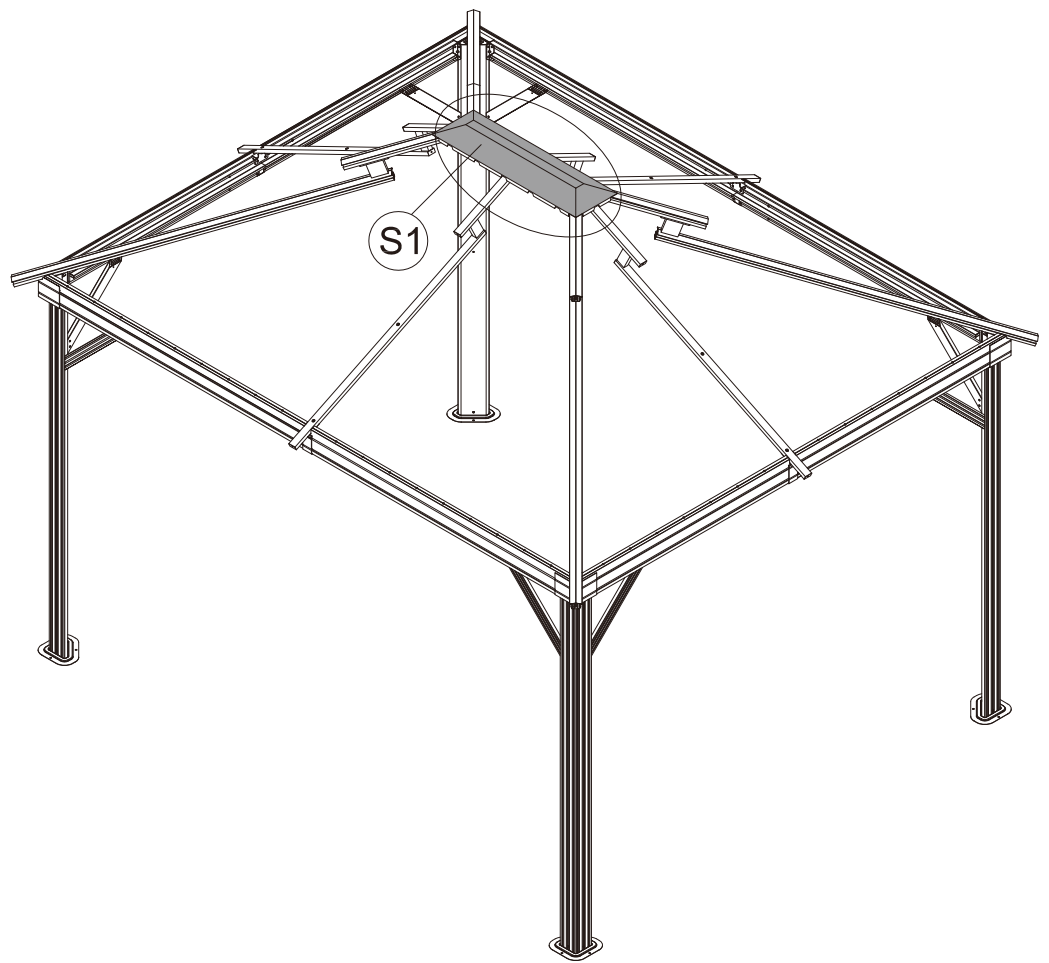
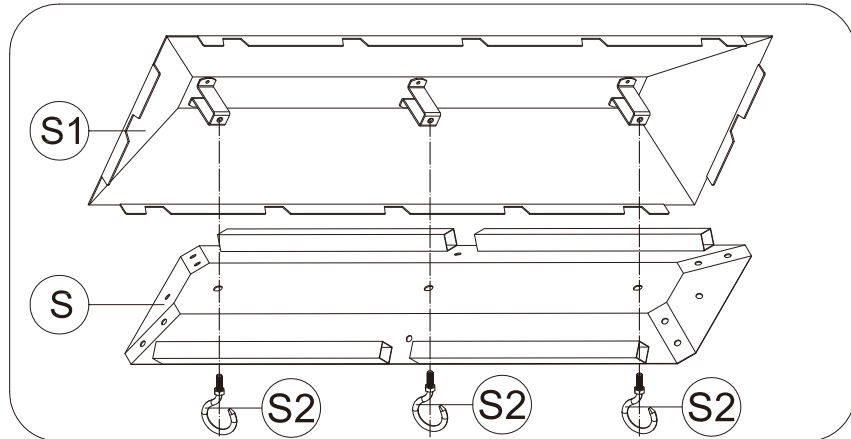


(S1) 1x

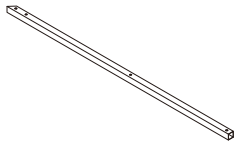


(S2) 3x

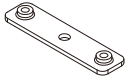
Secure Part #S2 to Part #S and Part #S1.  
(From Bottom to Top)



**ATTENTION:** The holes of Part #S and Part #S1 need to be aligned, on the same vertical line.



G 4x



U3 2x



1 1x



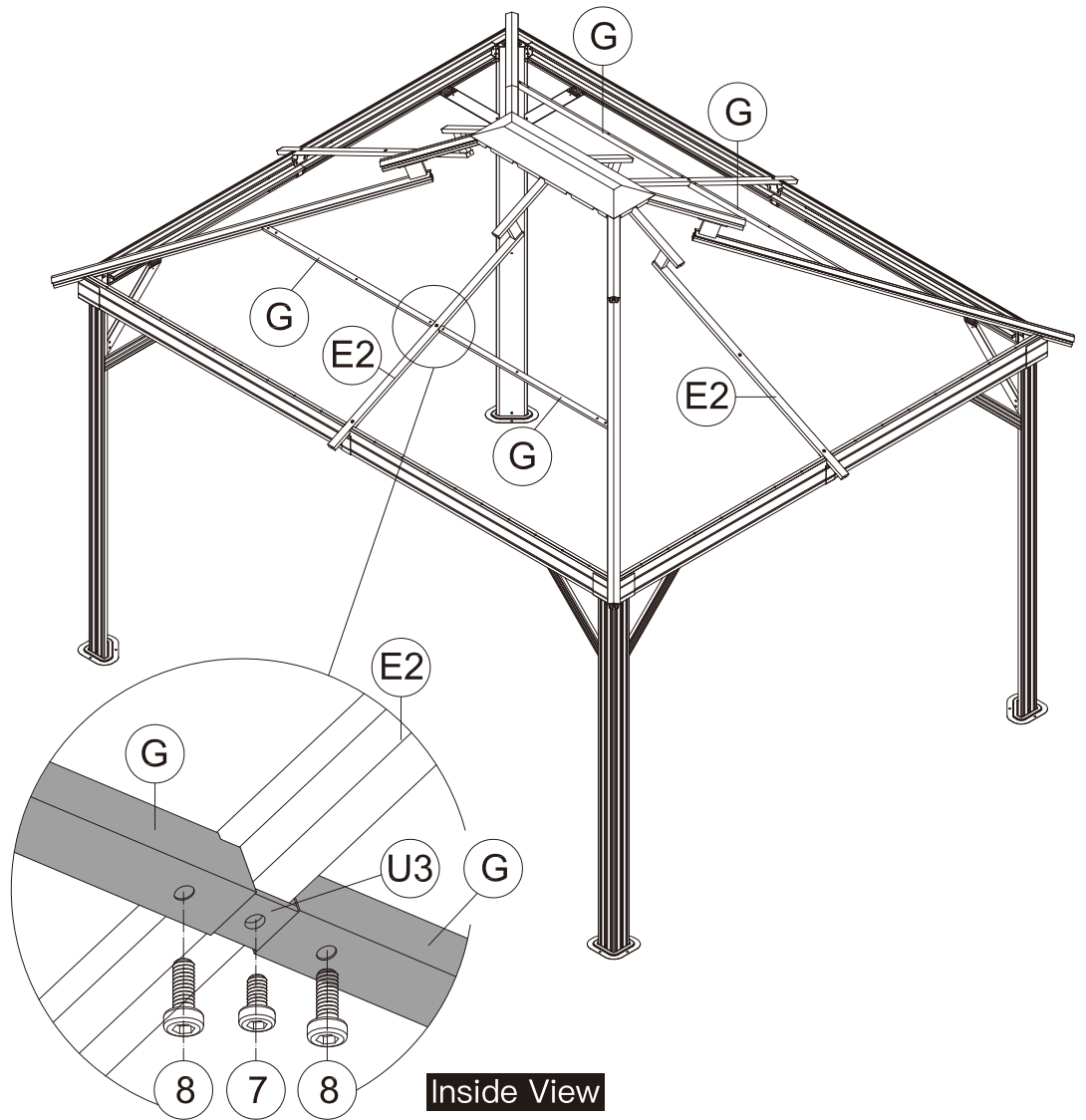
M6x10

7 2x



M6x16

8 4x

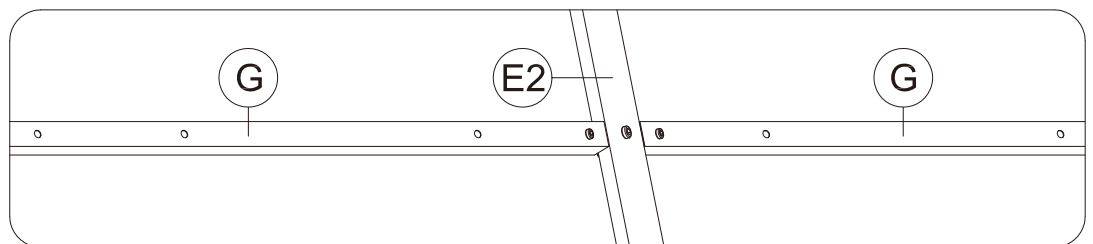


Inside View

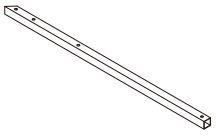
(1) Insert Part #U3 into Part #G.

(2) Attach Part #G to the Part #E2 with 1 Bolt #7 and 2 Bolts #8.

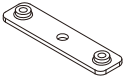
(3) Repeat the above procedures to assemble the opposite side.



Outside View



F 4x



U3 2x



1 1x



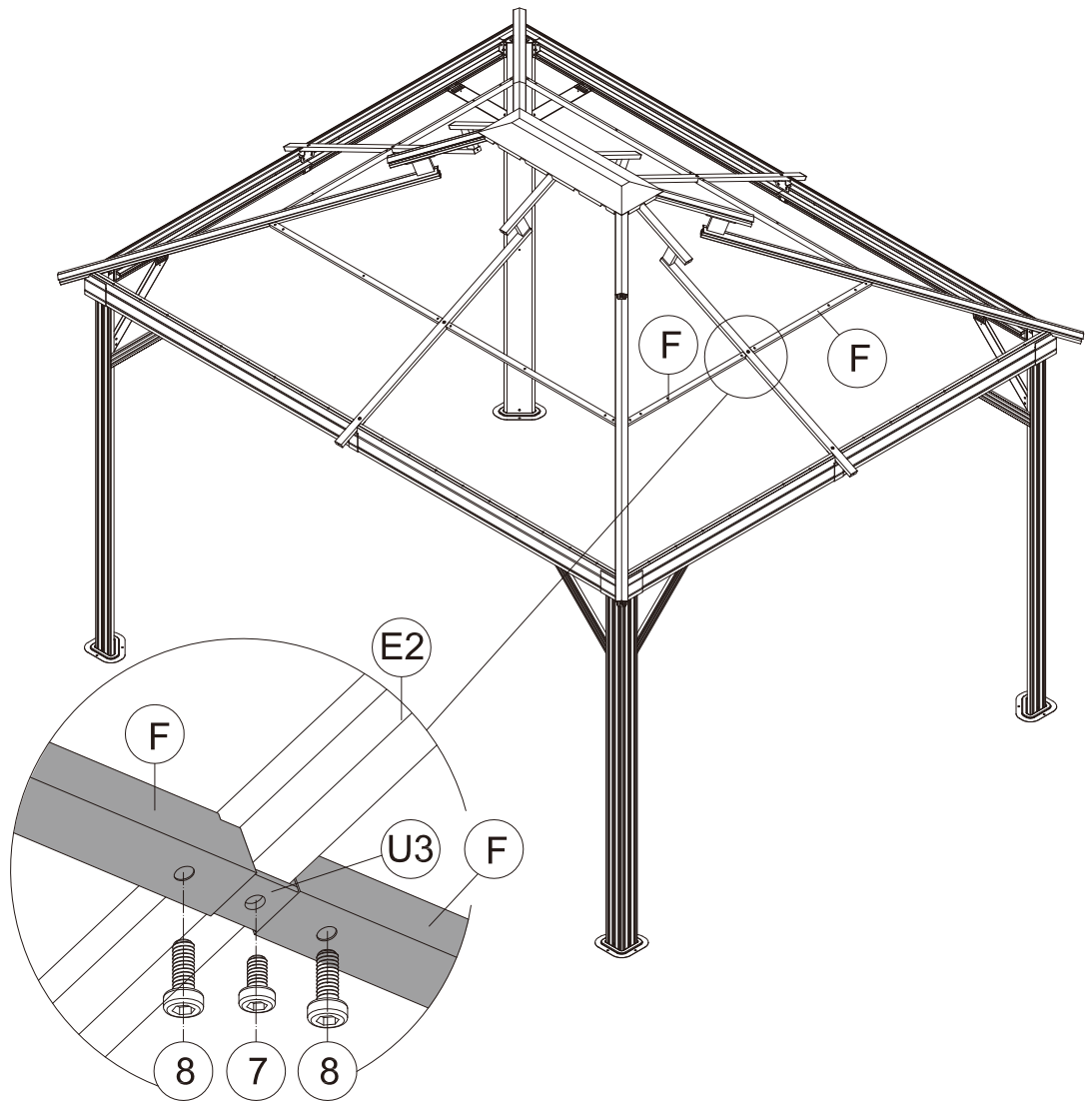
M6x10

7 2x



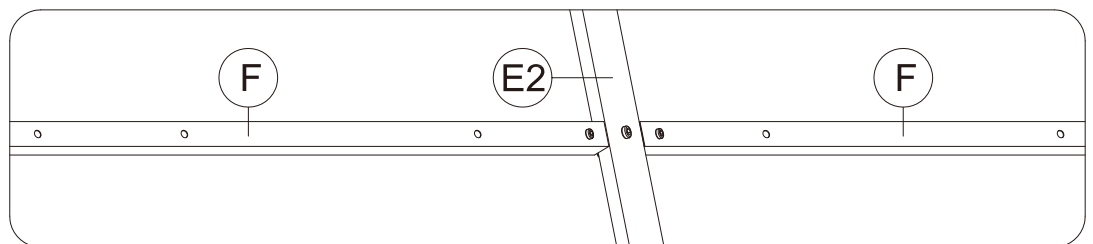
M6x16

8 4x



Inside View

- (1) Insert Part #U3 into 2 Part #F.
- (2) Attach 2 Part #F to Part #E2 with 1 Bolt #7 and 2 Blots #8.
- (3) Repeat the above procedures to assemble the opposite side.



Outside View



U2 4x

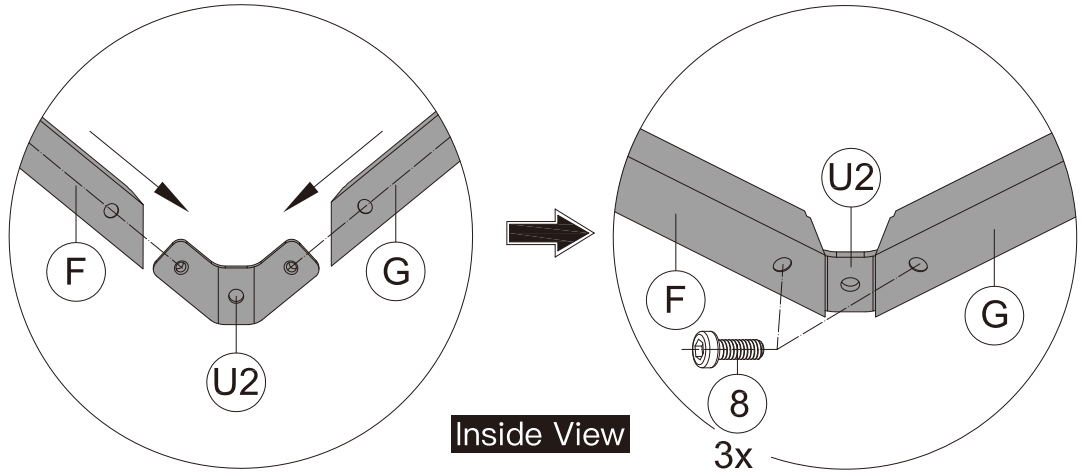


1 1x

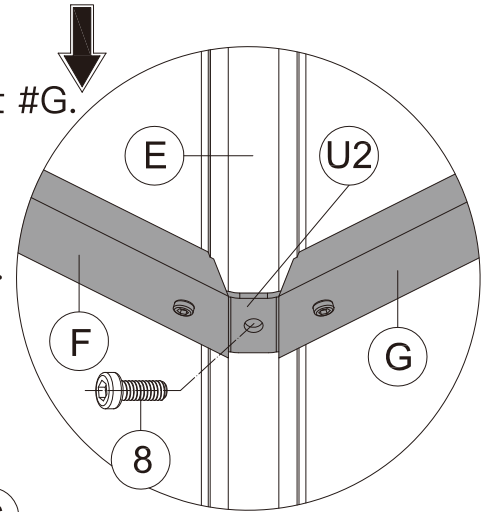


M6x16

8 12x



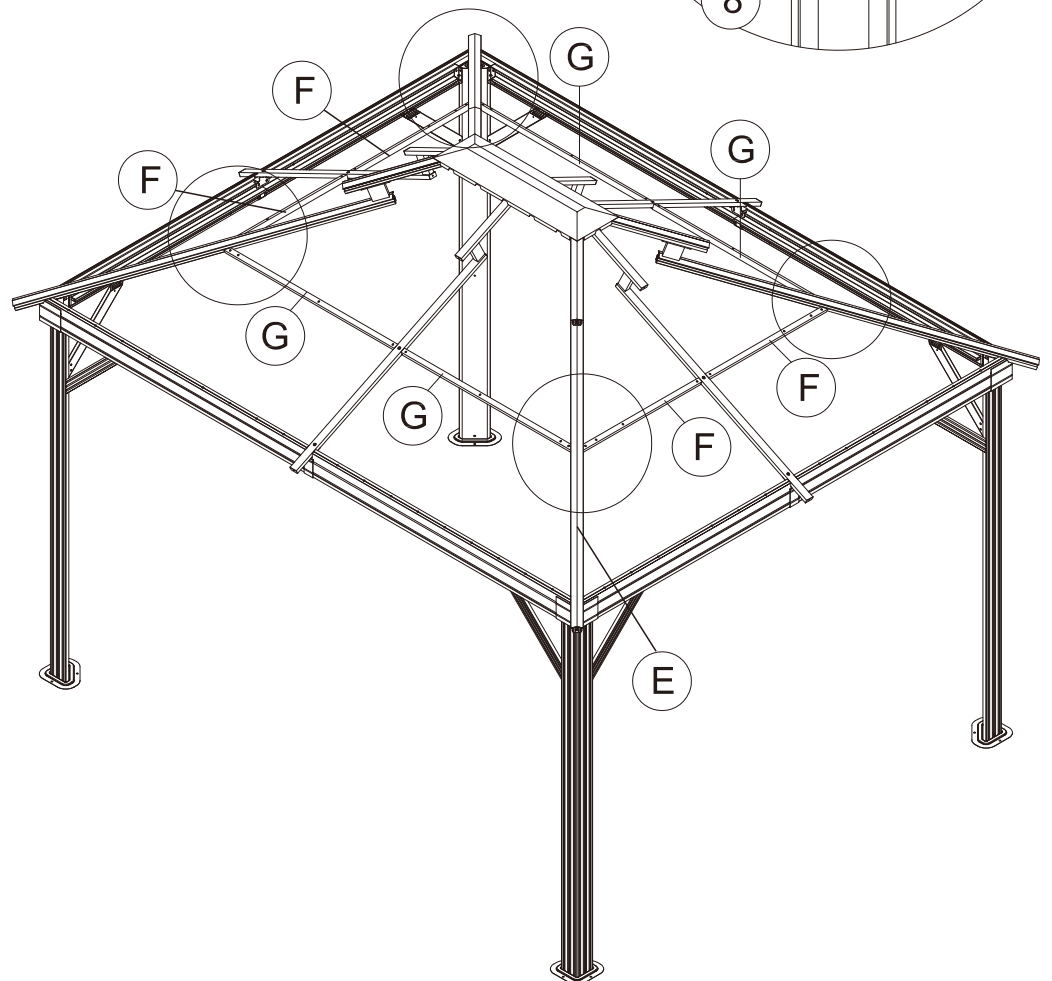
Inside View



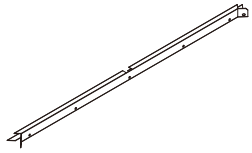
(1) Insert Part #U2 into Part #F and Part #G.

(2) Secure with 2 Bolts #8.

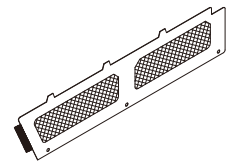
(3) Secure them to Part #E with Bolt #8.



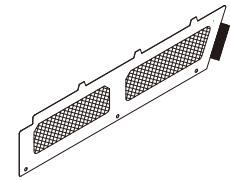
(4) Repeat the above procedures to assemble the other 3 sides.



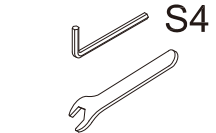
J1 2x



Q1 2x



Q2 2x



1 1x



2 2x



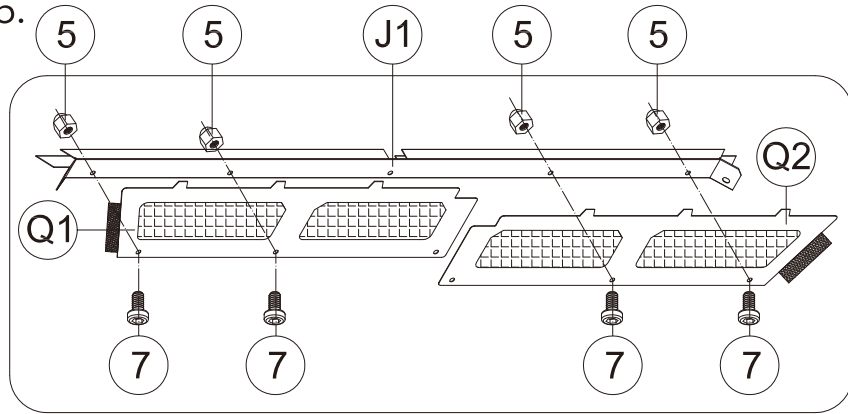
5 8x



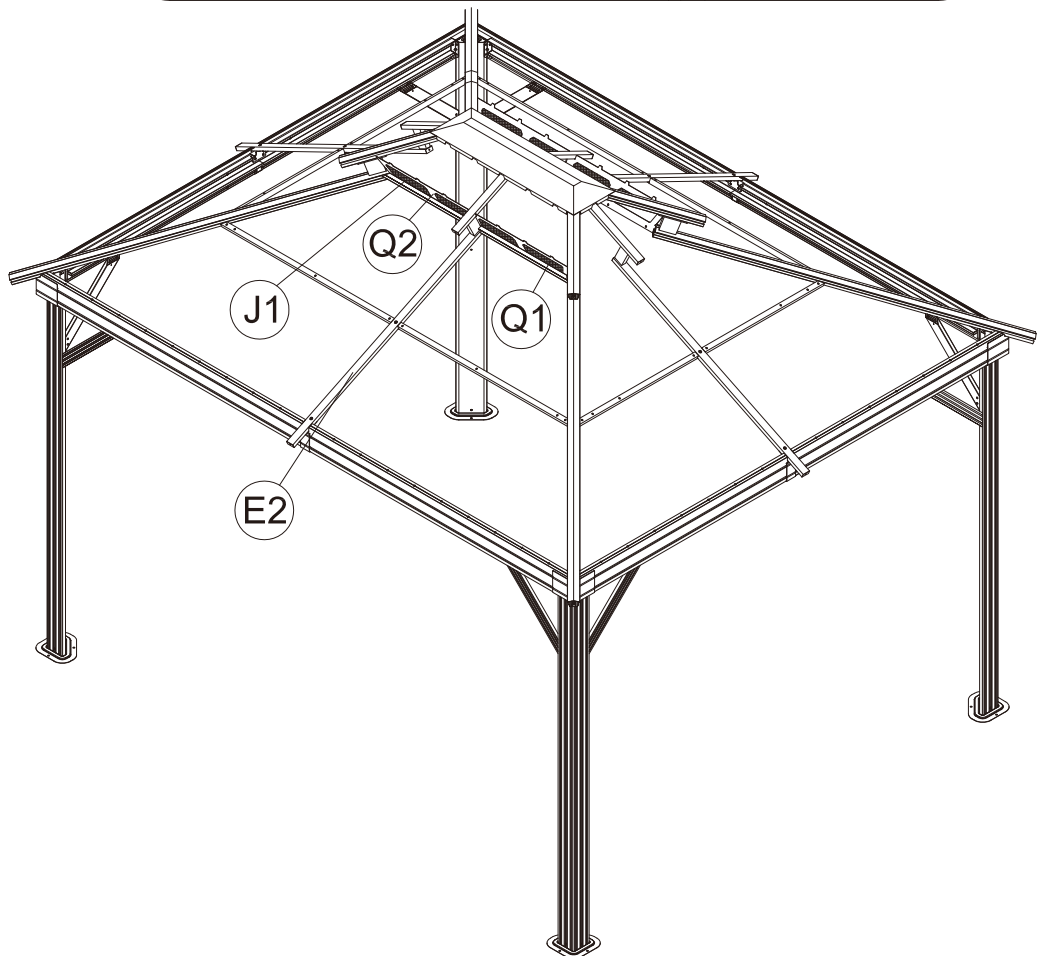
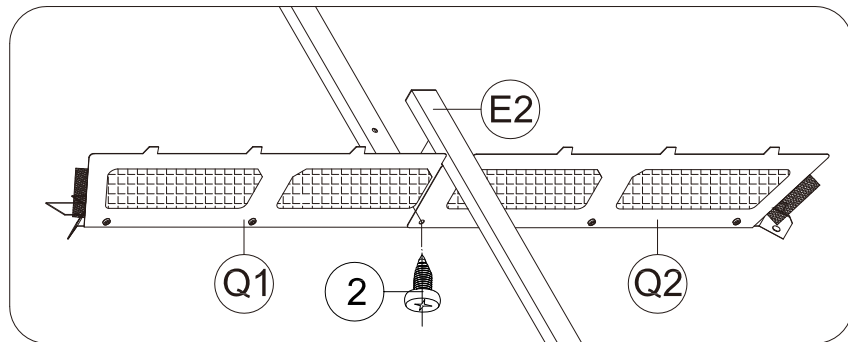
7 8x

26

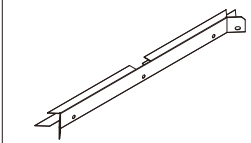
(1) Connect Part #J1 and Part #Q1 & #Q2 with 4 Bolts #7 and 4 Nuts #5.



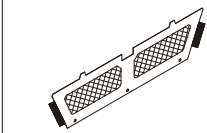
(2) Place the Assembled Part #J1 , #Q1 & #Q2 on Part #E2, securing with 1 Bolt #2.



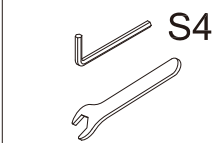
(3) Repeat the above procedures to assemble the opposite side.



J 2x



Q 2x



1 1x



2 2x

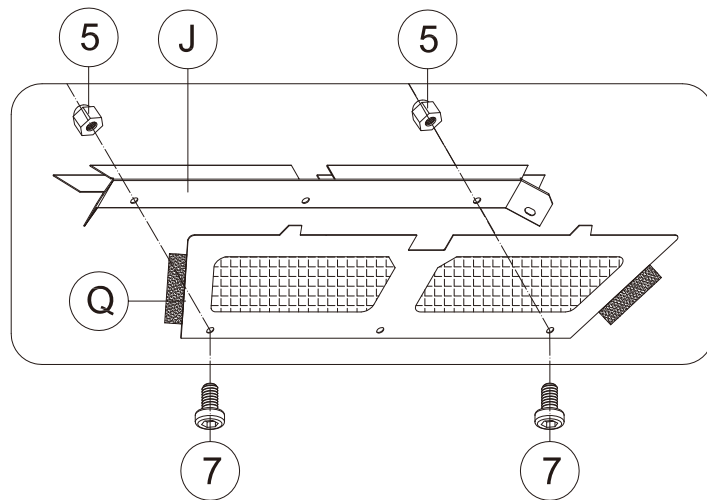


5 4x

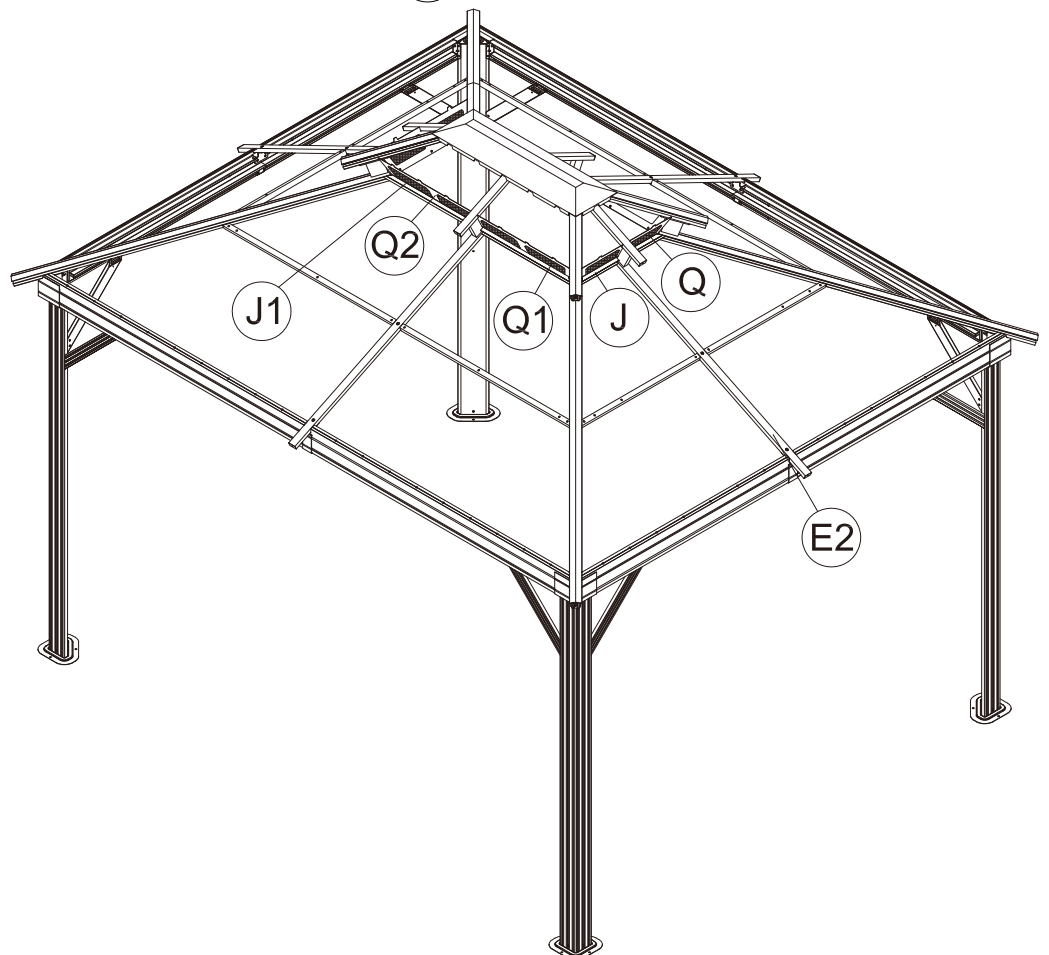
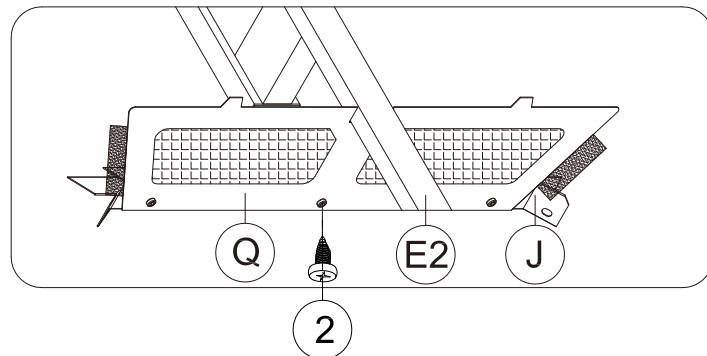


7 4x

(1) Connect Part #J and Part #Q with 2 Bolts #7 and 2 Nuts #5.



(2) Place the Assembled Part #J & #Q on Part #E2, securing with 1 Bolt #2.



(3) Repeat the above procedures to assemble the opposite side.



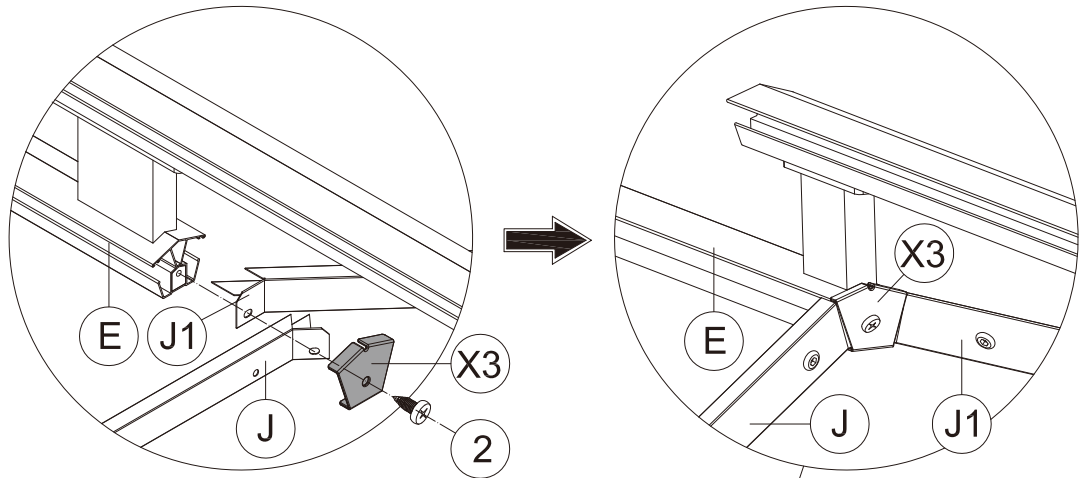
X3 4x



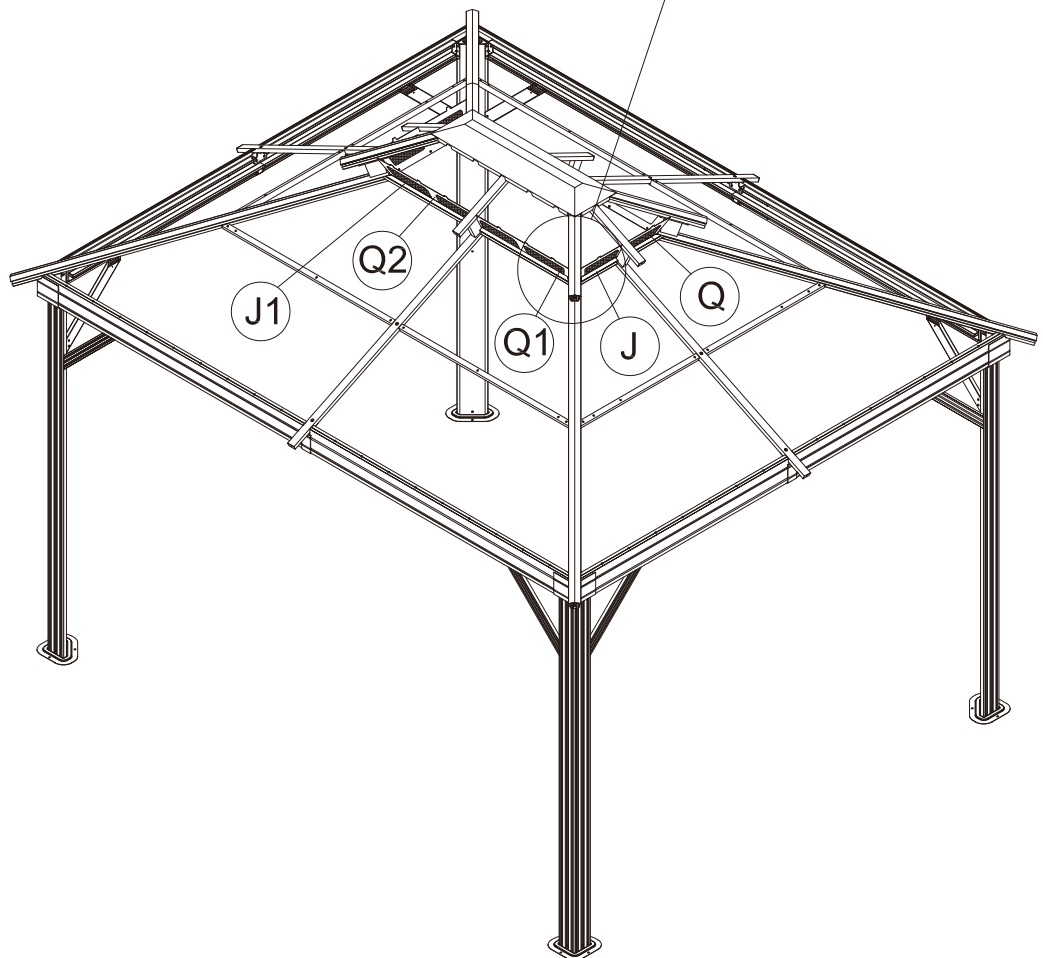
ST6.3x15

2 4x

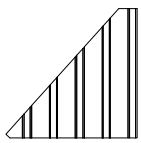
(1) Place Part #J and Part #J1 on Part #E;  
put on Part #X3 and secure with Self-tapping Screw #2.



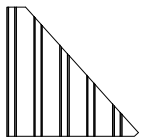
Inside View



(2) Repeat the above procedures to assemble the other 3 corners.



L1 2x



L2 2x



Z 4x

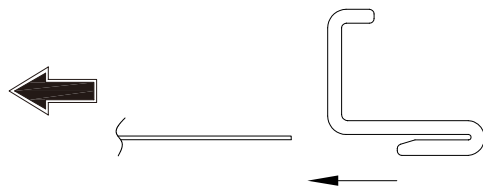
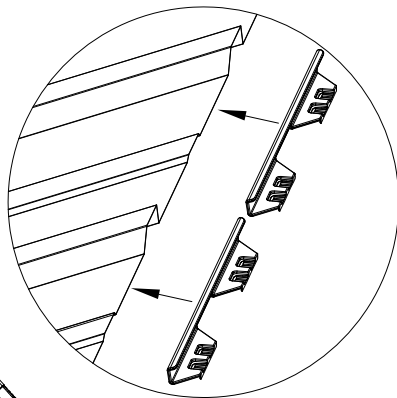
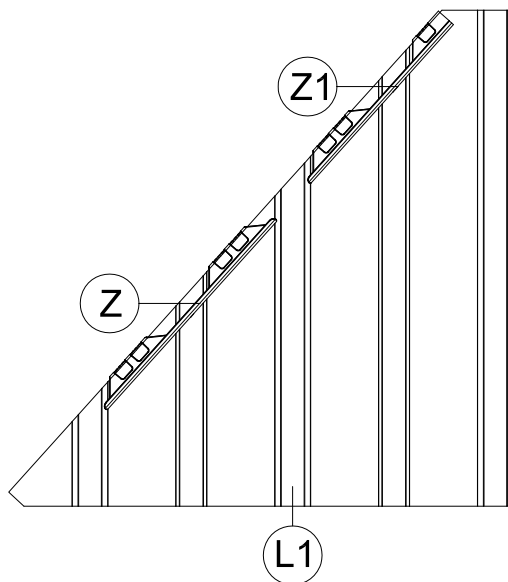


Z1 2x

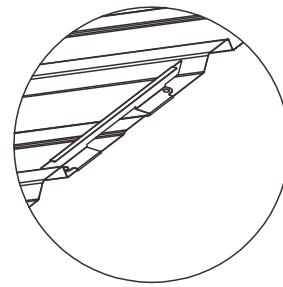
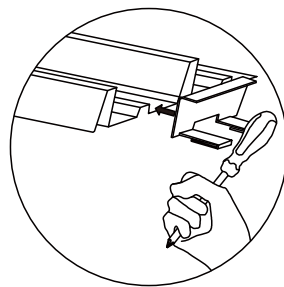
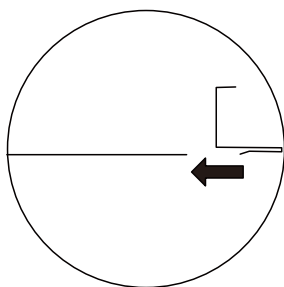
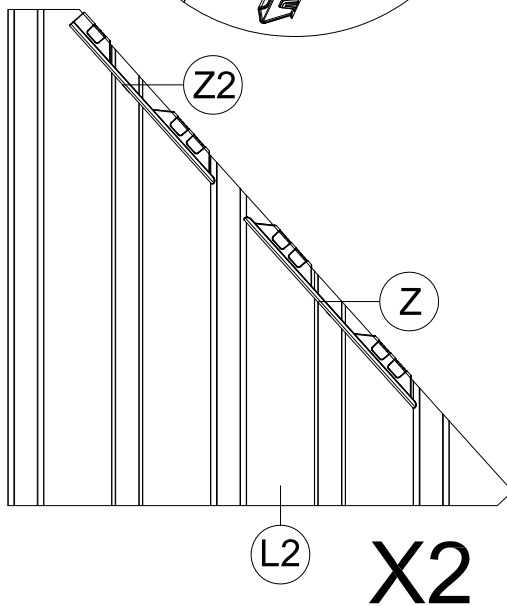


Z2 2x

X2



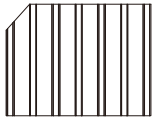
Section View



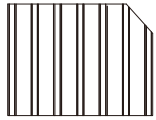
# Cover Part #Z to Roof Panels.



N1 2x



N2 2x



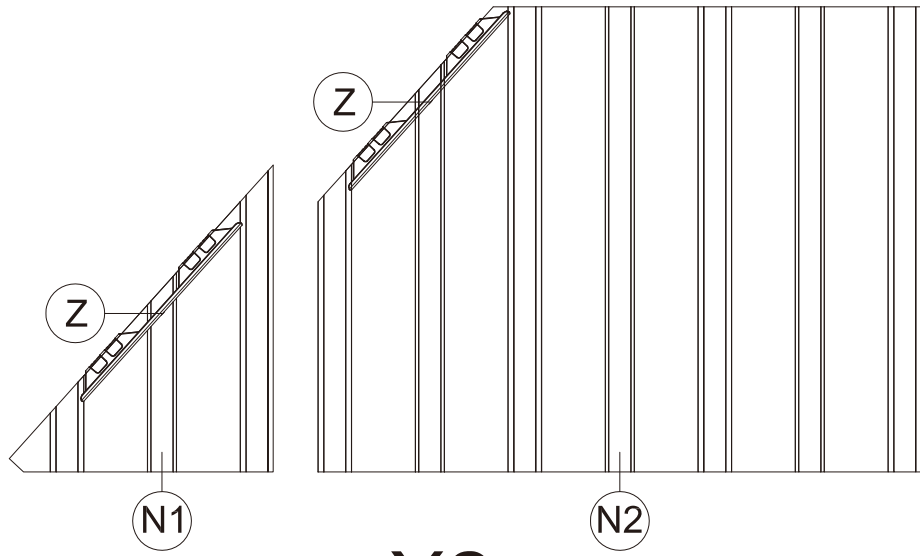
N3 2x



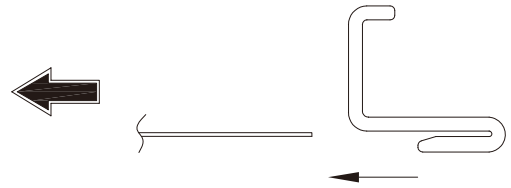
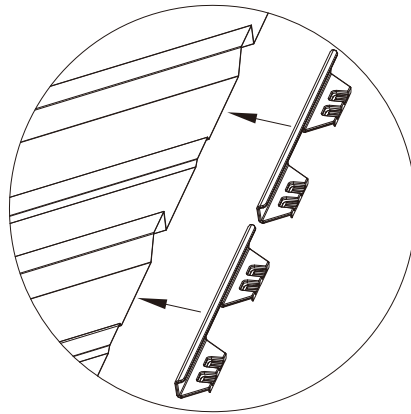
N4 2x



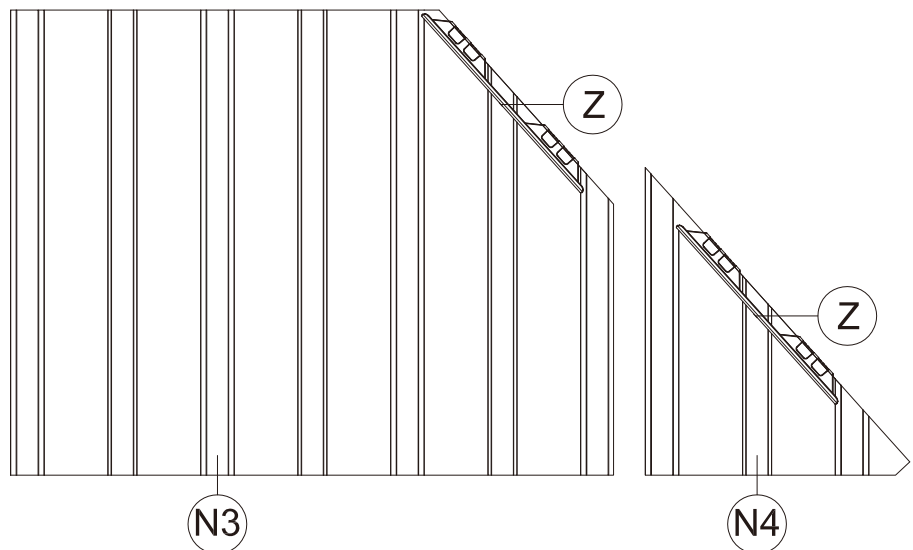
Z 8x



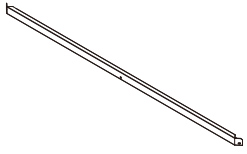
X2



Section View



X2



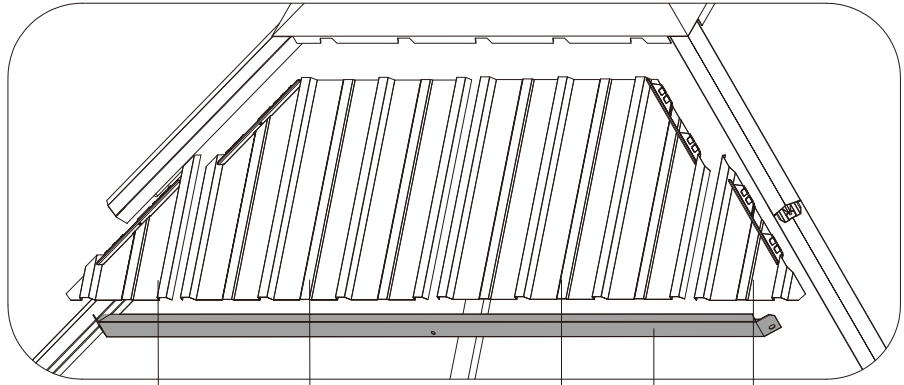
H1 2x



ST6.3x15

2 2x

**ATTENTION:** The bigger roof panel need to cover the smaller one.



N1

N2

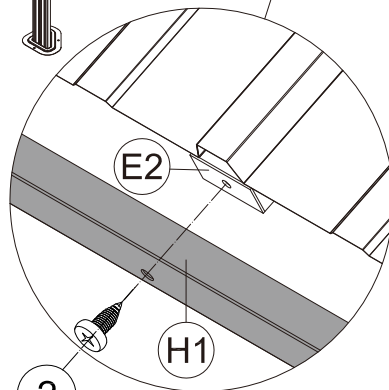
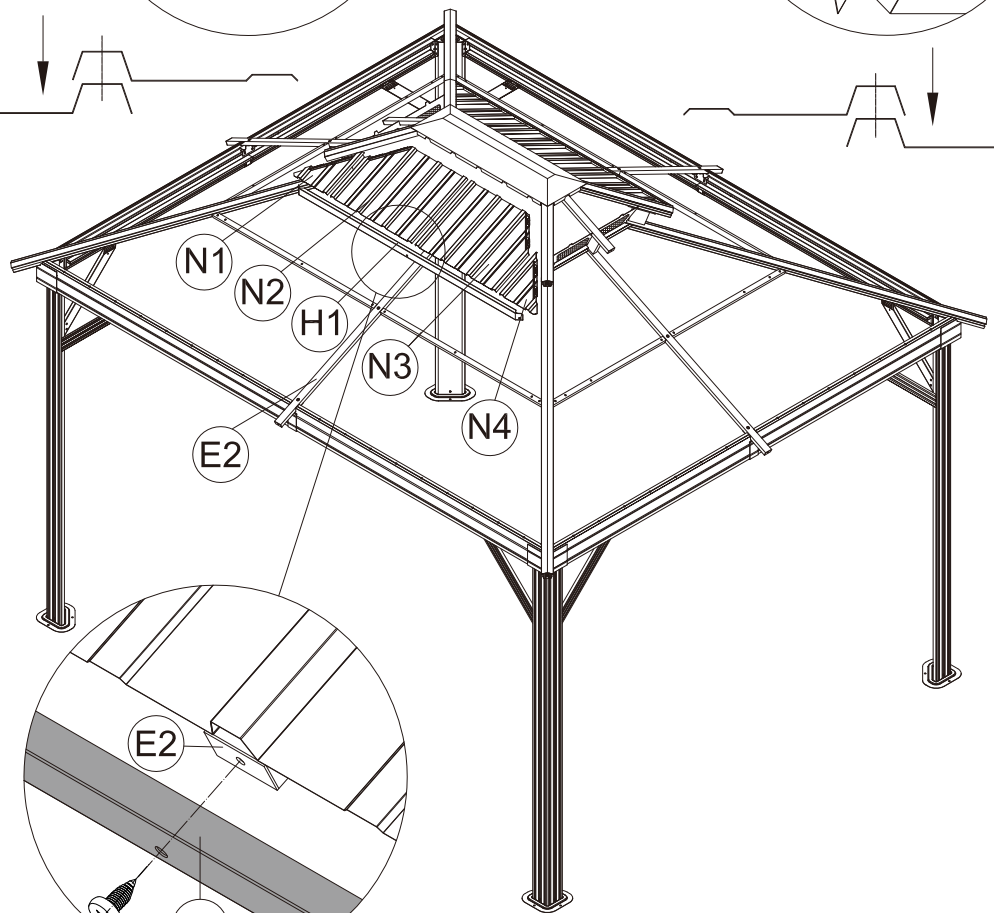
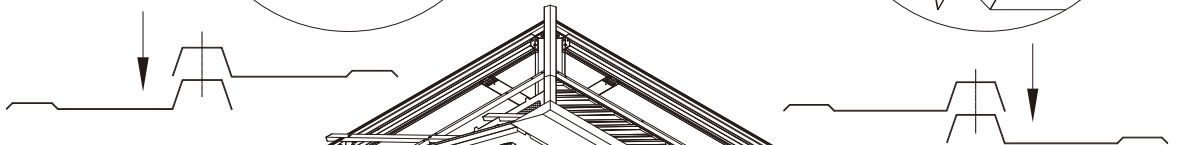
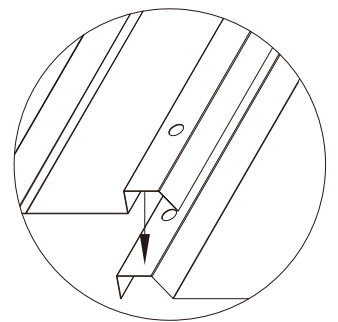
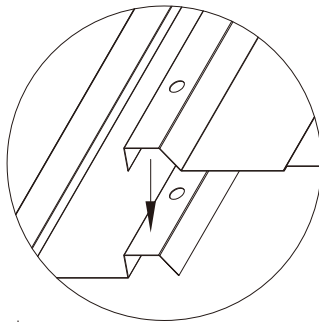
N3

H1

N4

(1) Insert Part #N1 and Part #N2 into the frame.

(2) Insert Part #N4 and Part #N3 into the frame.

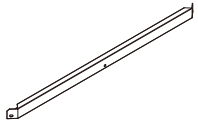


2

H1

31

(3) Repeat the above procedures to assemble the opposite side.



H 2x

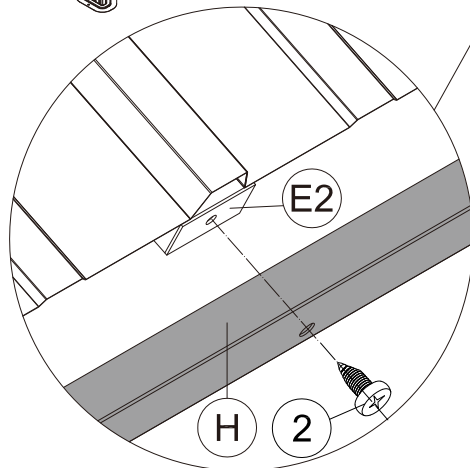
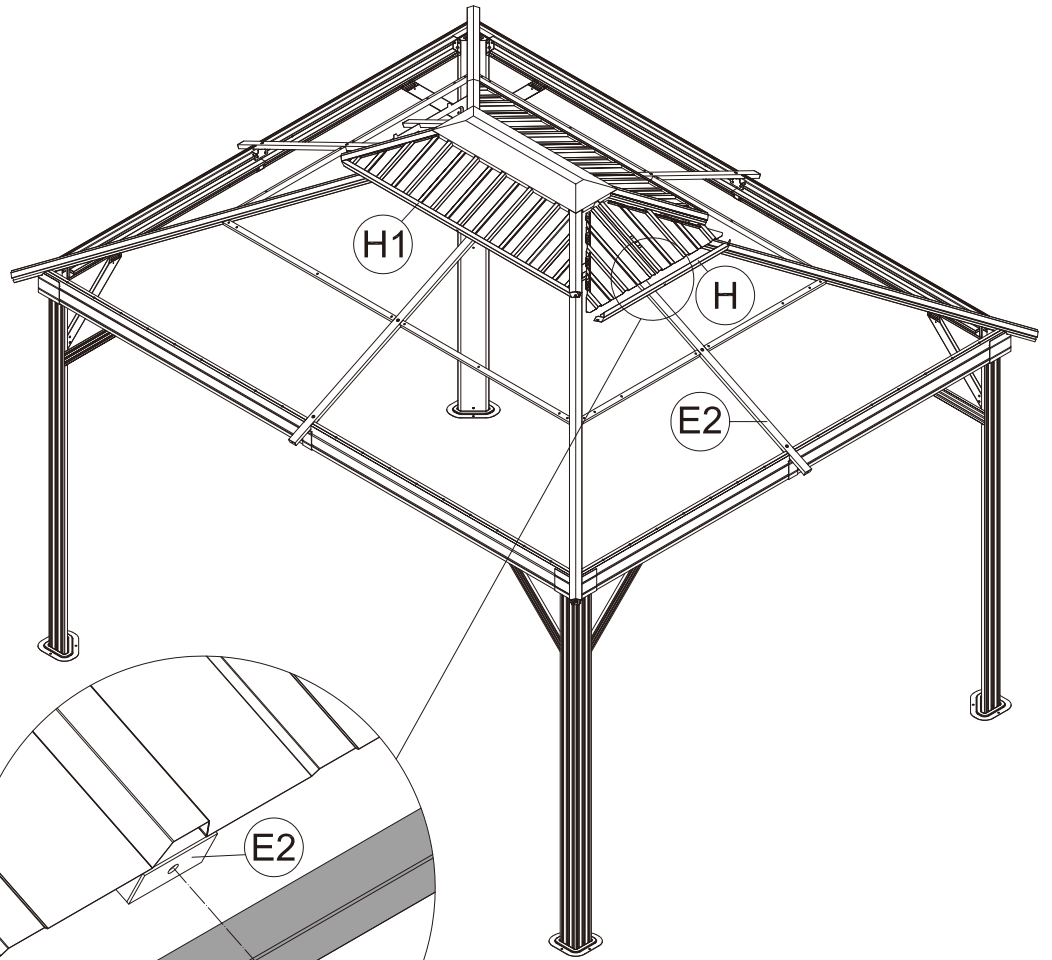
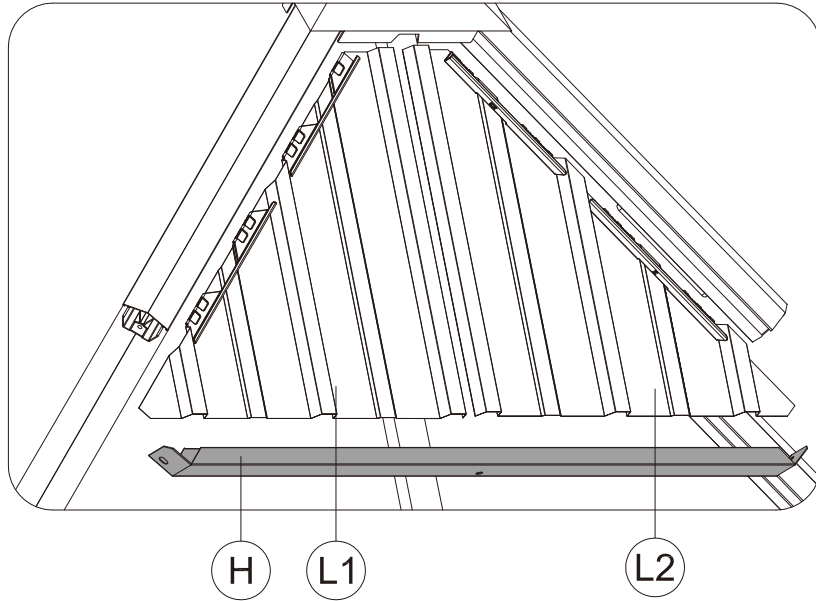


ST6.3x15

2 2x

**ATTENTION:** The bigger roof panel need to cover the smaller one.

(1) Insert Part #L1 and Part #L2 into the frame.



(2) Attach Part #H to Part #E2, securing with Bolt #2.

(3) Repeat the above procedures to assemble the opposite side.



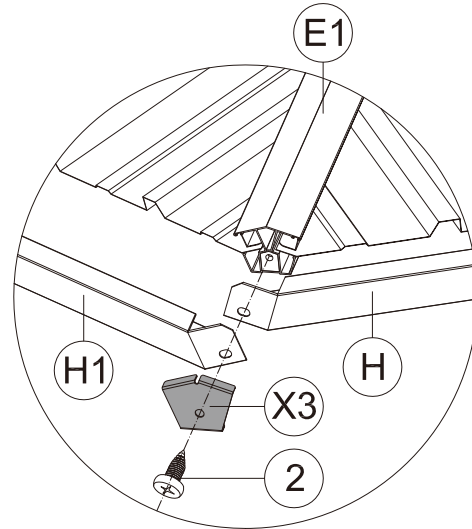
X3 4x



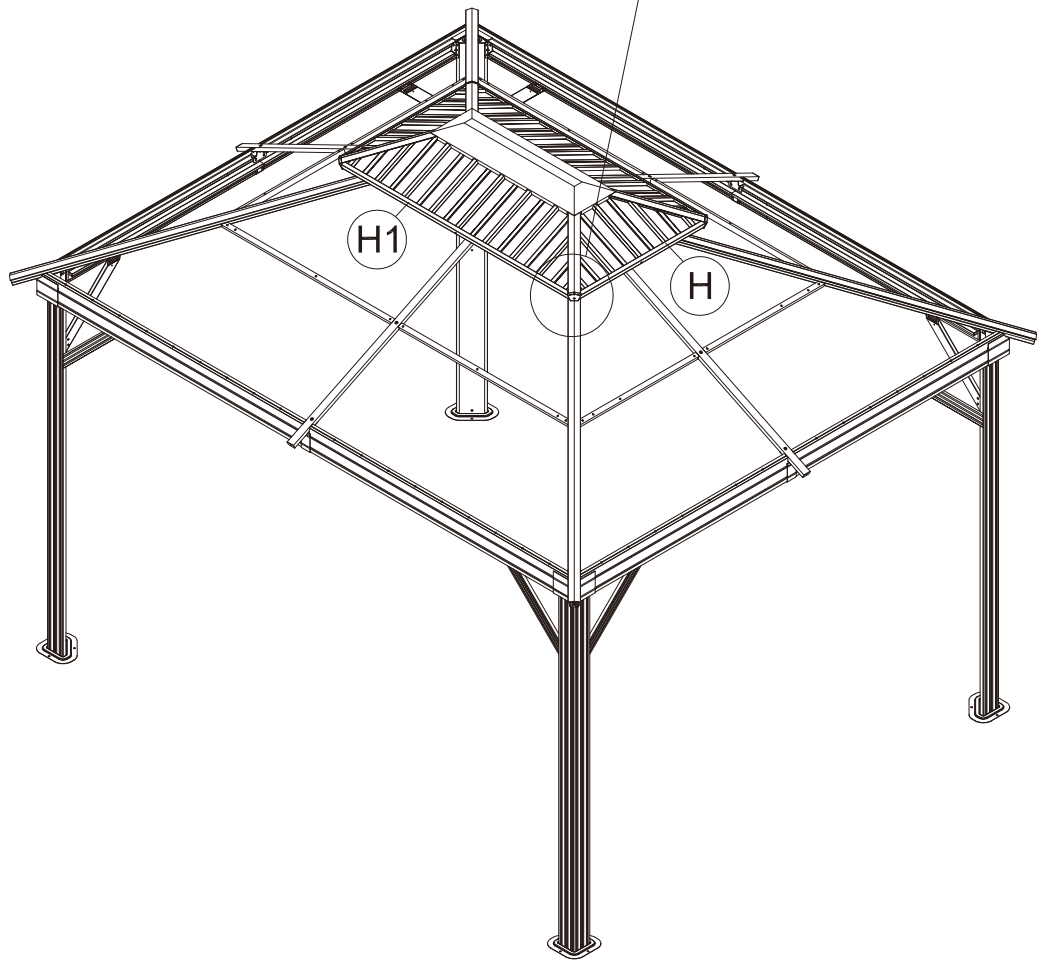
ST6.3x15

2 4x

(1) Place Part #H and Part #H1 on Part #E1;  
put on Part #X3 and secure with Self-tapping Screw #2



Outside View

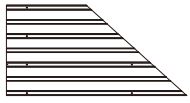


(2) Repeat the above procedures to assemble the other 3 corners.

# Cover Part #Z, #Z3 & #Z4 to Roof Panels.



M1 2x



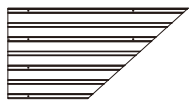
M2 2x



M3 2x



M4 2x



M5 2x



M6 2x



Z 24x

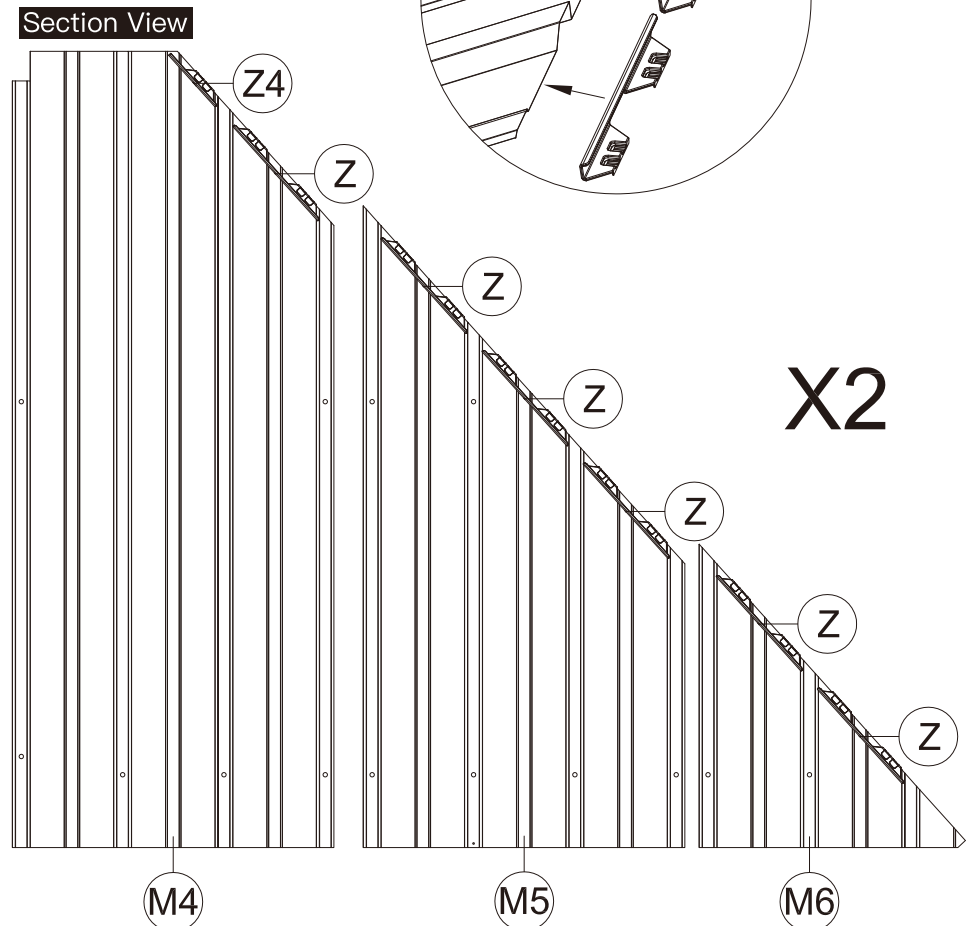
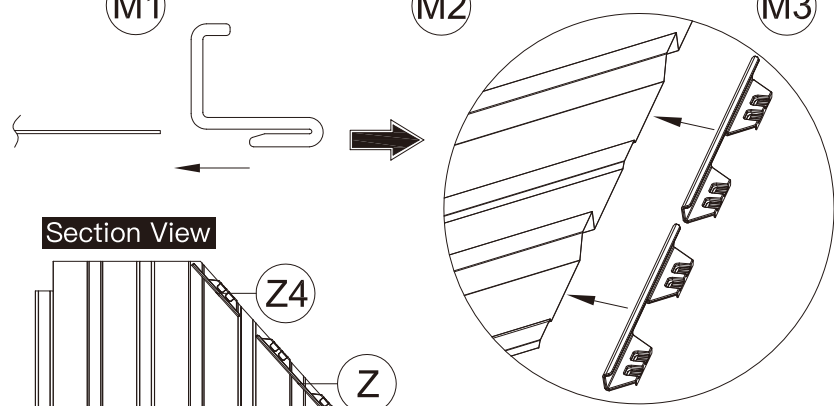
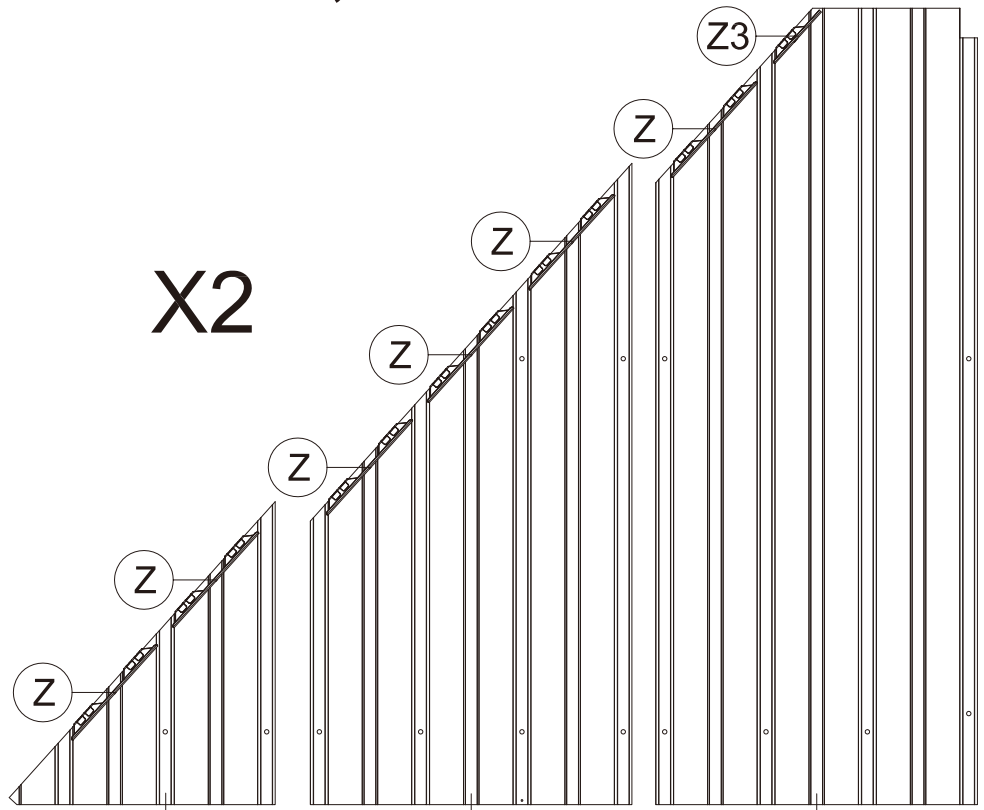


Z3 2x



Z4 2x

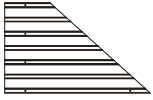
34



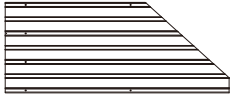
# Cover Part #Z & #Z3 to Roof Panels.



P1 2x



P2 2x



P3 2x



P4 2x



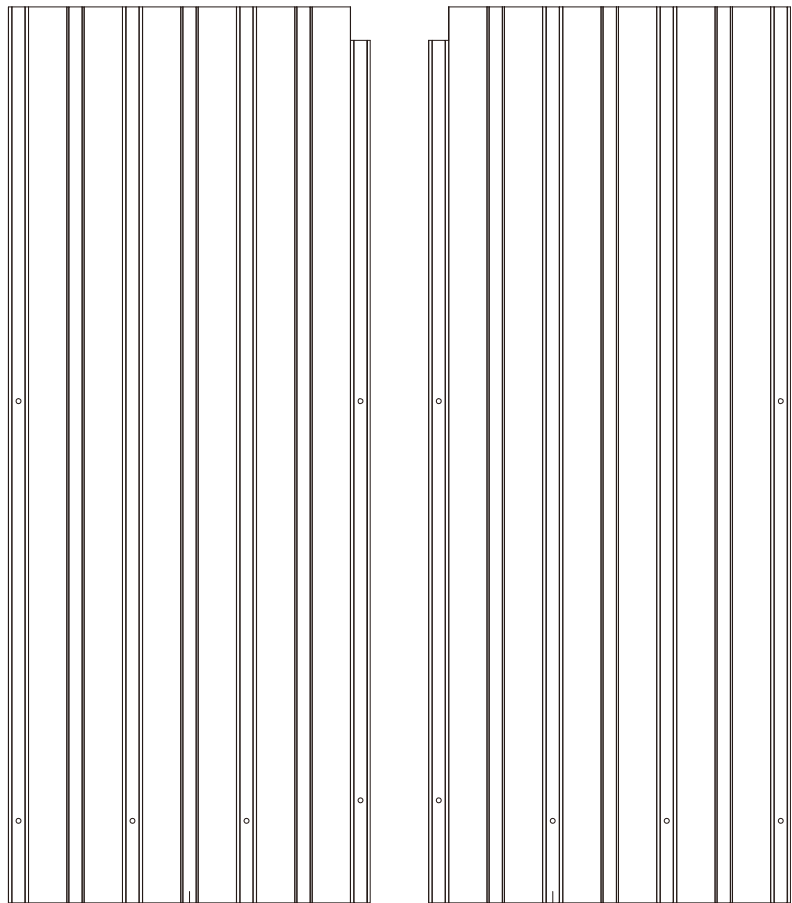
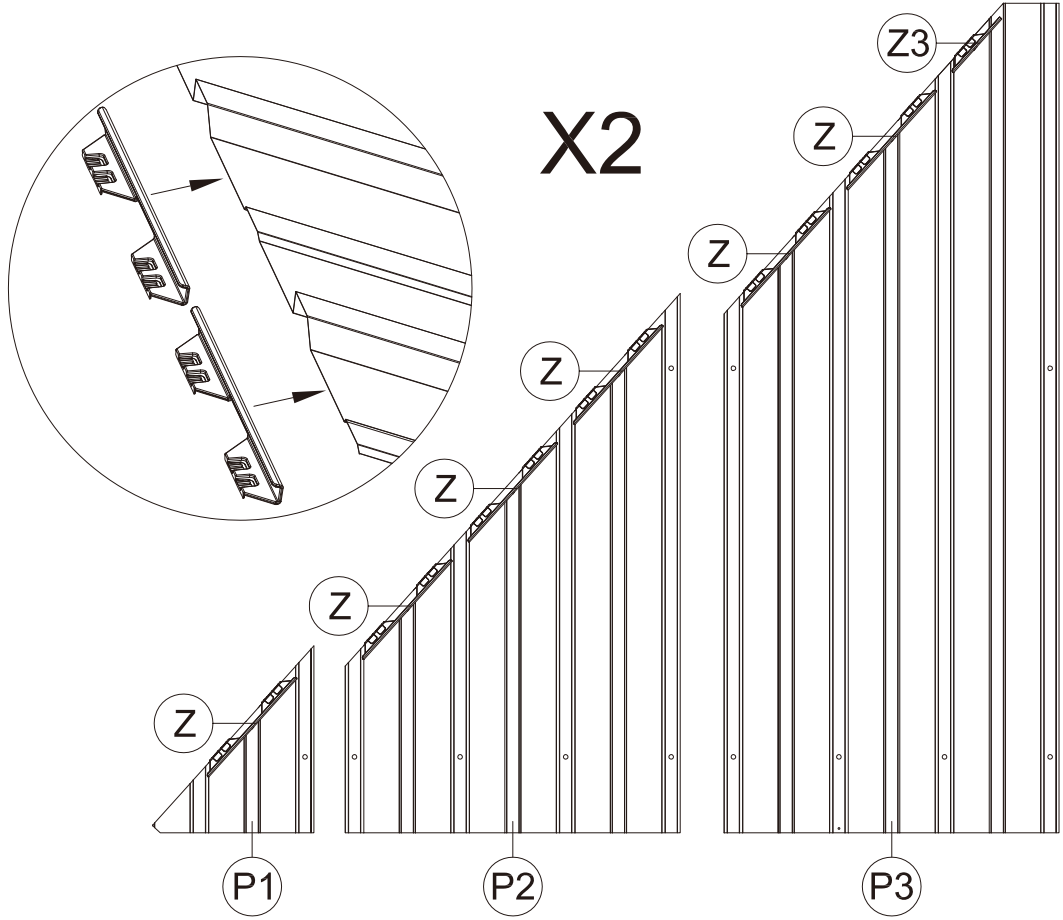
P5 2x



Z 12x



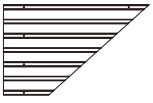
Z3 2x



# Cover Part #Z & #Z4 to Roof Panels.



P6 2x



P7 2x



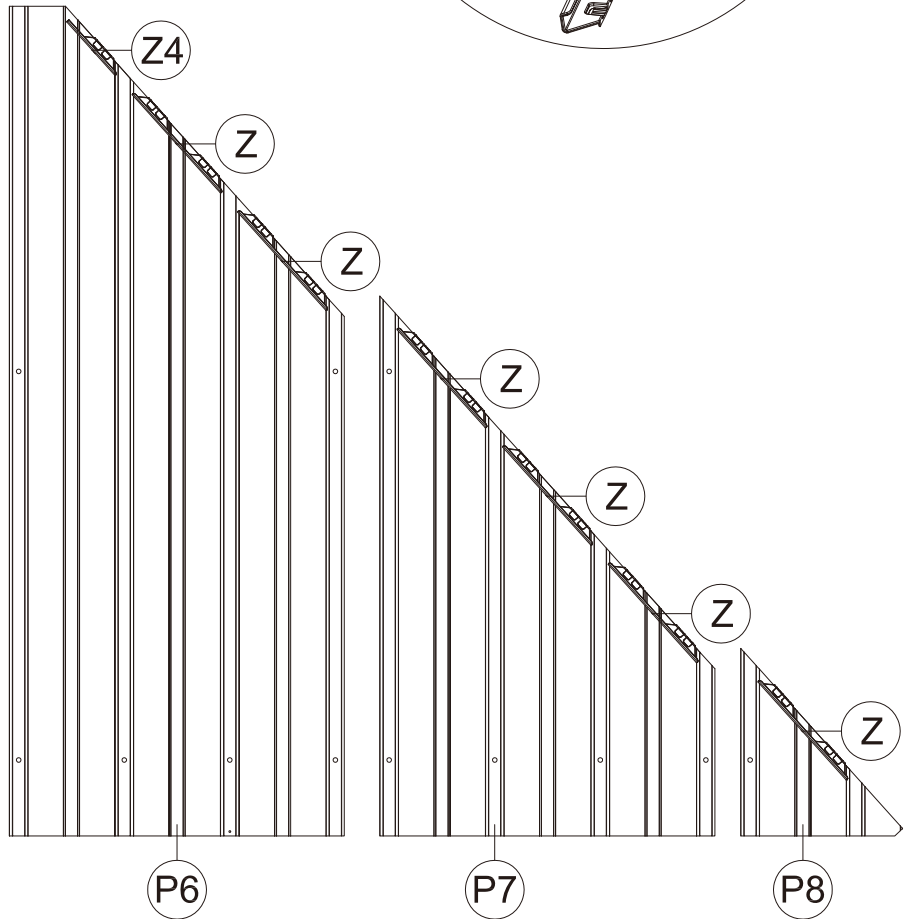
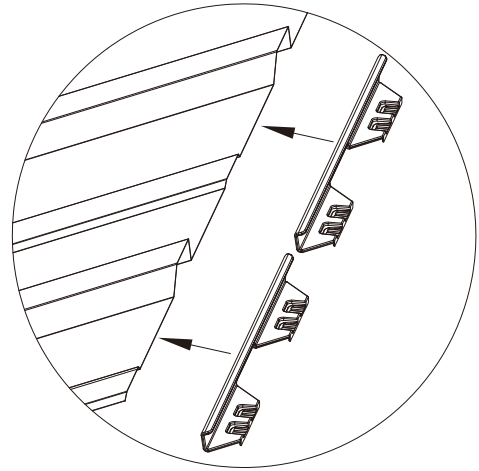
P8 2x

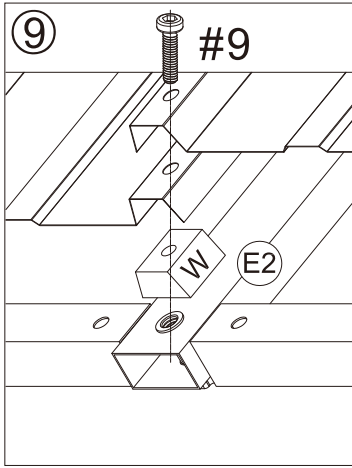


Z 12x

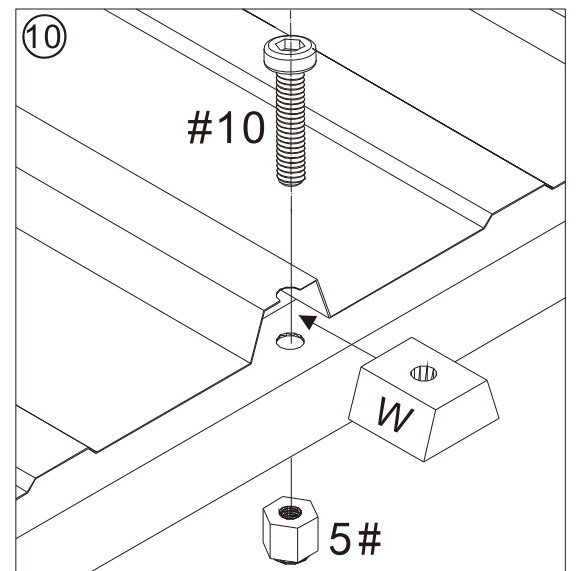
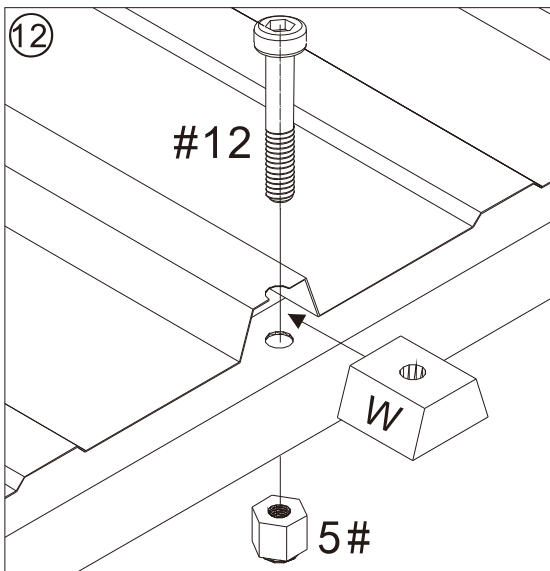
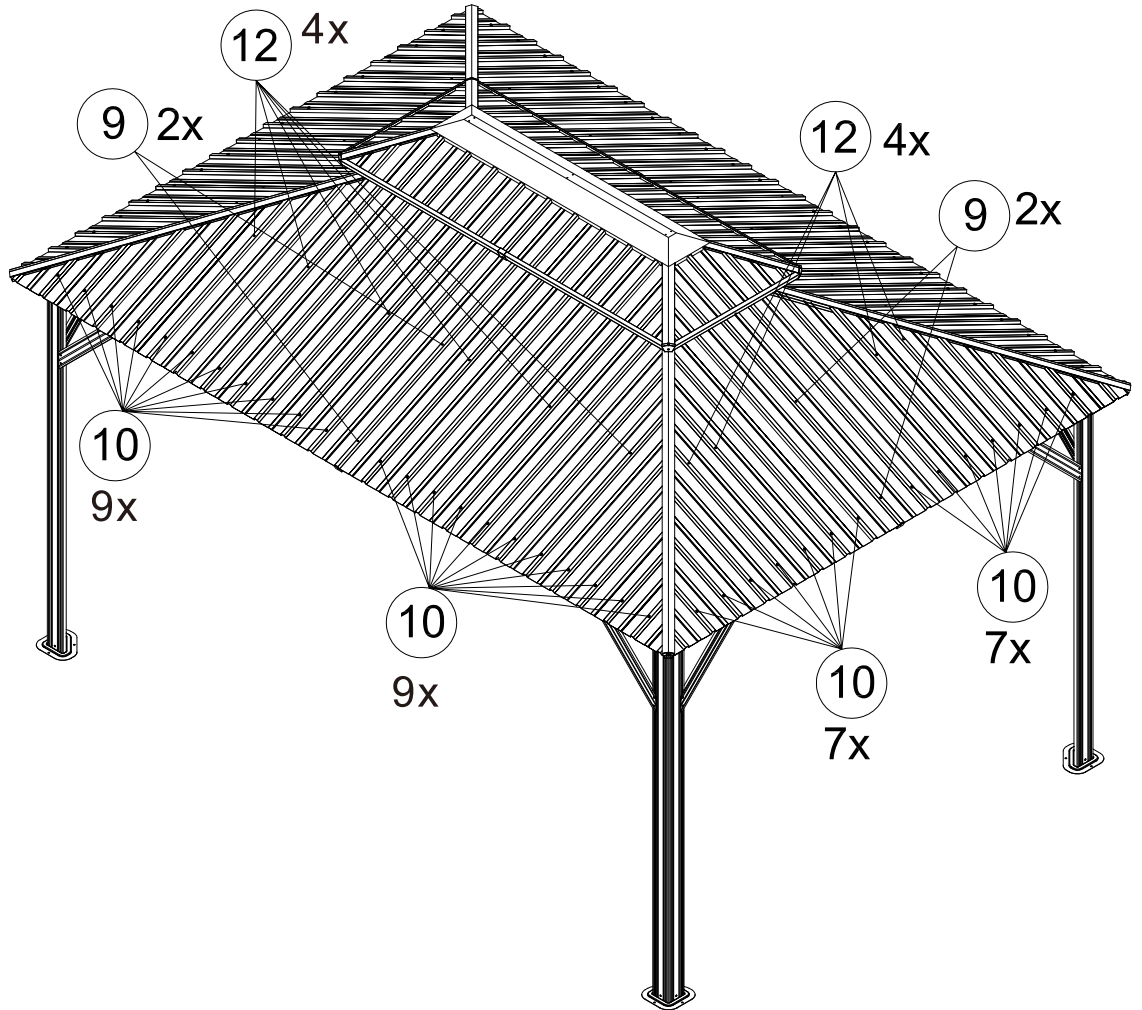


Z4 2x

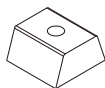




▲ Part #W should be inserted between roof panels and solidifying bar or beams, then secure with bolts and nuts.



**ATTENTION:** The bigger roof panel need to cover the smaller one.



(W) 28x

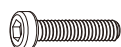


(1) 1x



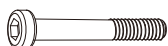
M6

(5) 28x



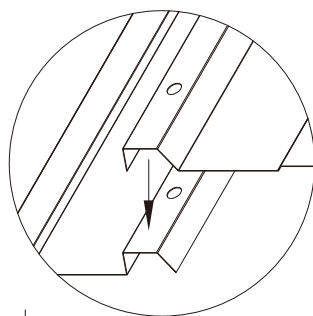
M6x28

(10) 24x

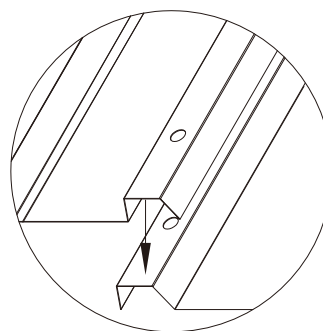


M6x50

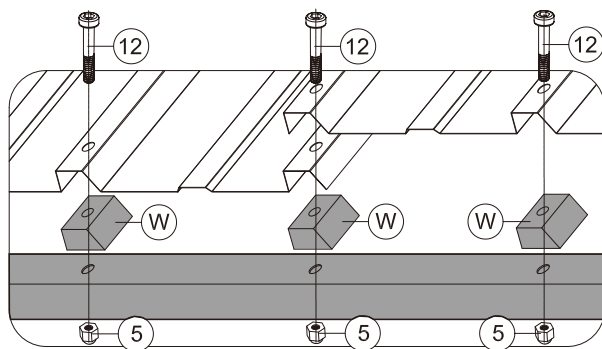
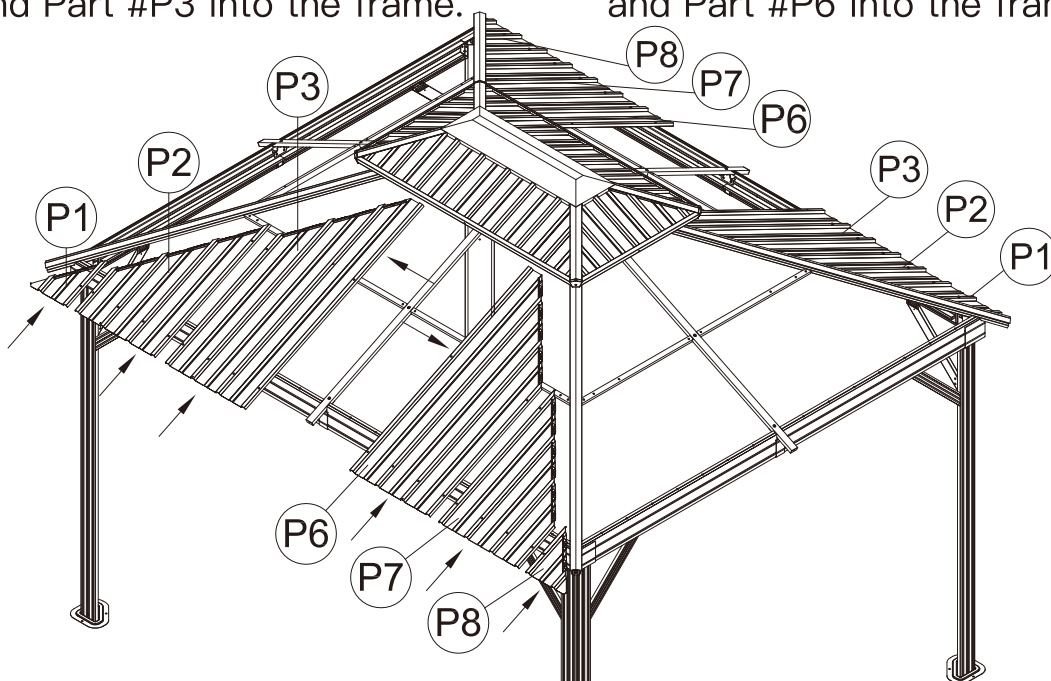
(12) 4x



(1) Insert Part #P1, Part #P2 and Part #P3 into the frame.



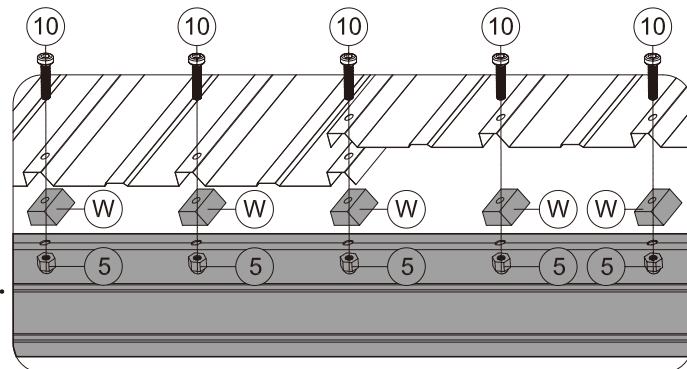
(2) Insert Part #P8, Part #P7 and Part #P6 into the frame.



(3) Place 2 Part #W between roof panels and solidifying bars. Then secure with 2 Bolts #12 and 2 Nuts #5.

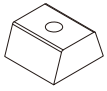
**Solidifying Bar**

(4) Place 12 Part #W between roof panels and beams. Then secure with 12 Bolts #10 and 12 Nuts #5.



**Beam**

(5) Repeat the above procedures to assemble the opposite side.



W 16x



1 1x



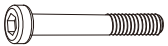
M6

5 16x



M6x28

10 12x



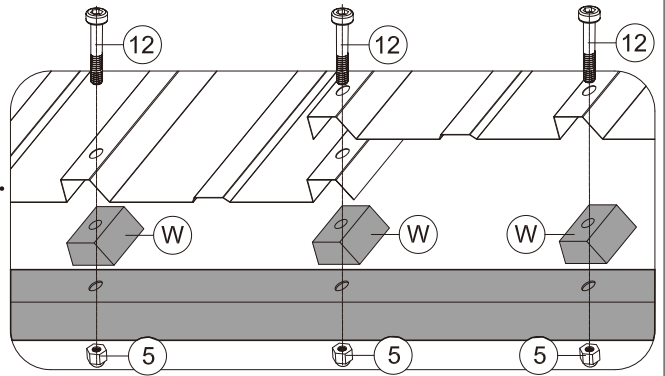
M6x50

12 4x

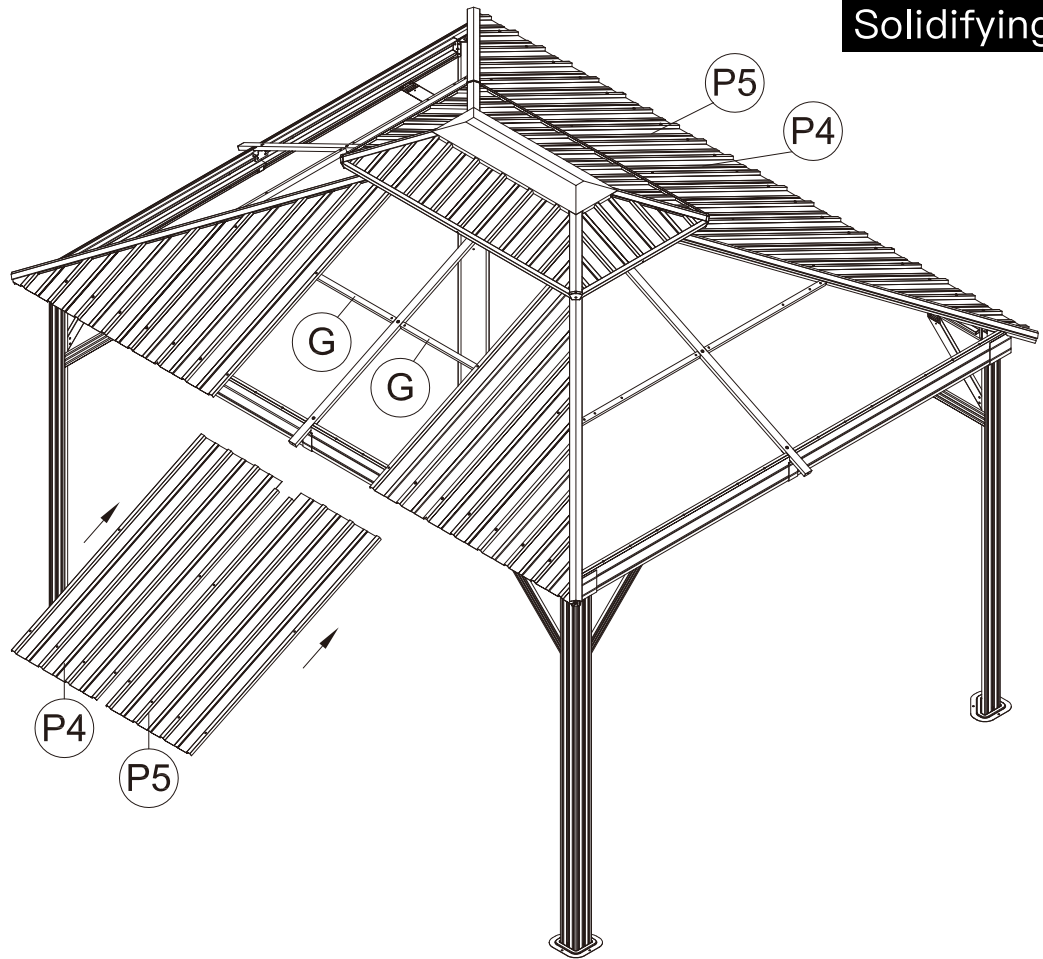
**ATTENTION:** The bigger roof panel need to cover the smaller one.

(1) Insert Part #P4 and Part #P5 into the frame.

(3) Place 2 Part #W between roof panels and solidifying bars. Then secure with 2 Bolts #12 and 2 Nuts #5.

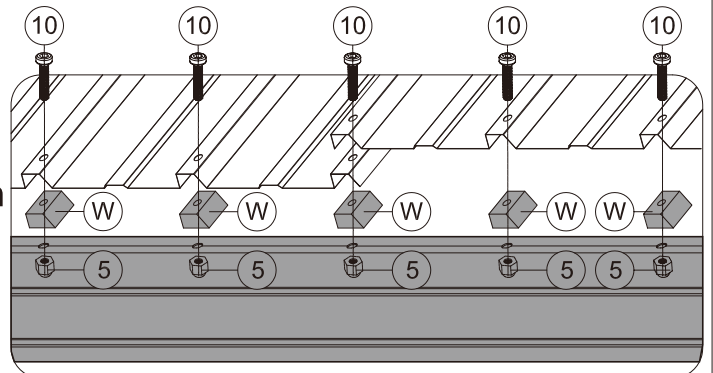


**Solidifying Bar**

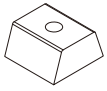


(2) Place 6 Part #W between roof panels and beams. Then secure with 6 Bolts #10 and 6 Nuts #5.

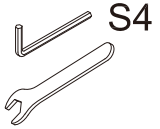
**Beam**



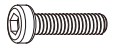
(4) Repeat the above procedures to assemble the opposite side.



W 4x

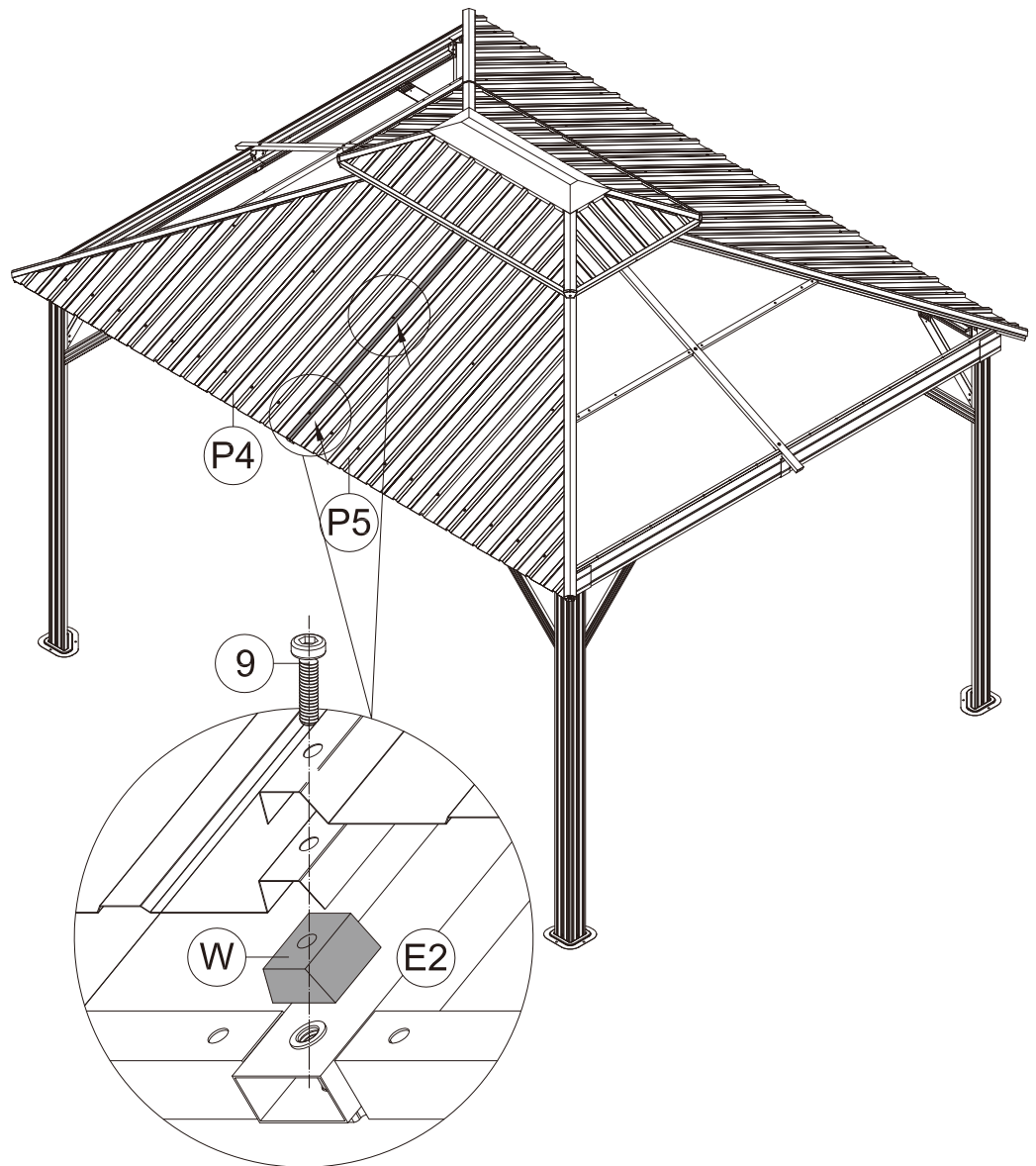


1 1x



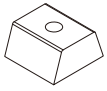
M6x25

9 4x



(1) Place 2 Part #W between roof panels and Part #E2.  
Then secure with 2 Bolts #9.

(2) Repeat the above procedures to assemble the opposite side.



(W) 20x



(1) 1x



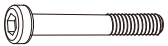
M6

(5) 20x



M6x28

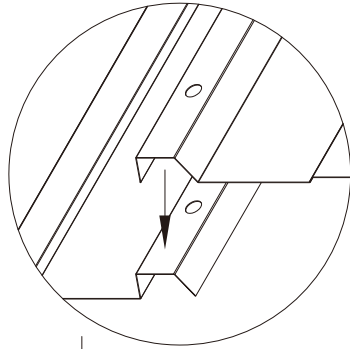
(10) 16x



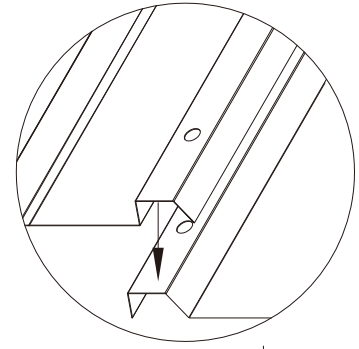
M6x50

(12) 4x

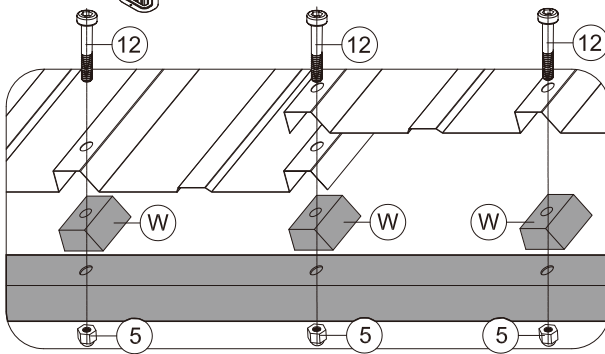
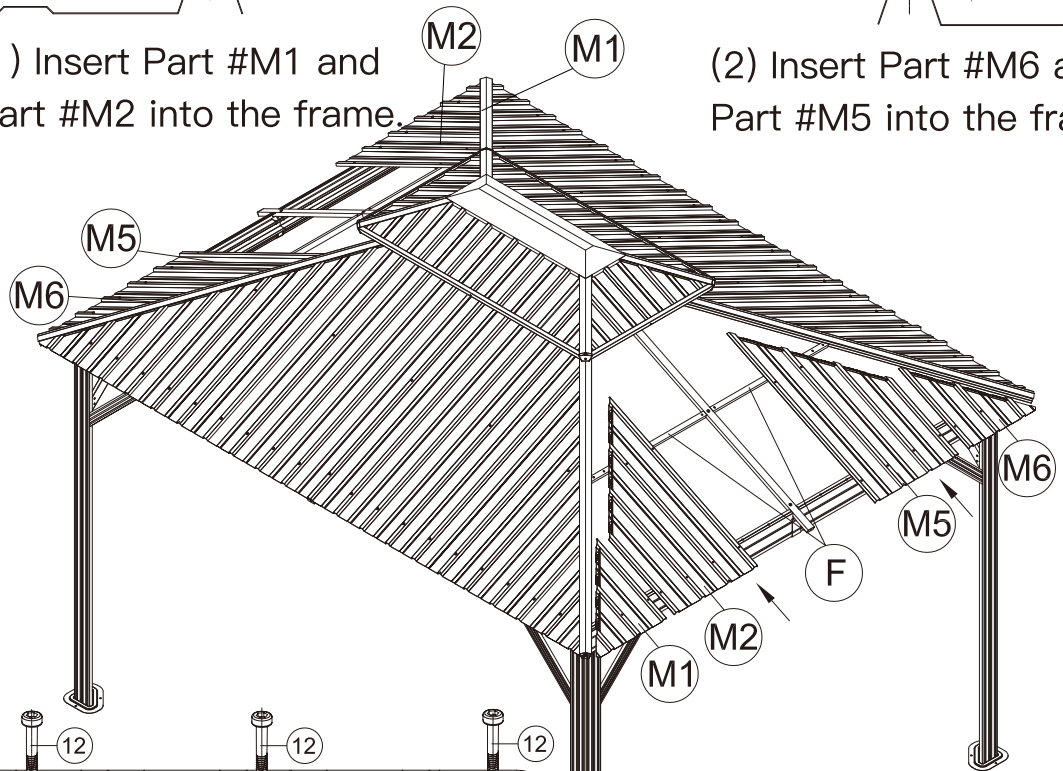
**ATTENTION:** The bigger roof panel need to cover the smaller one.



(1) Insert Part #M1 and Part #M2 into the frame.

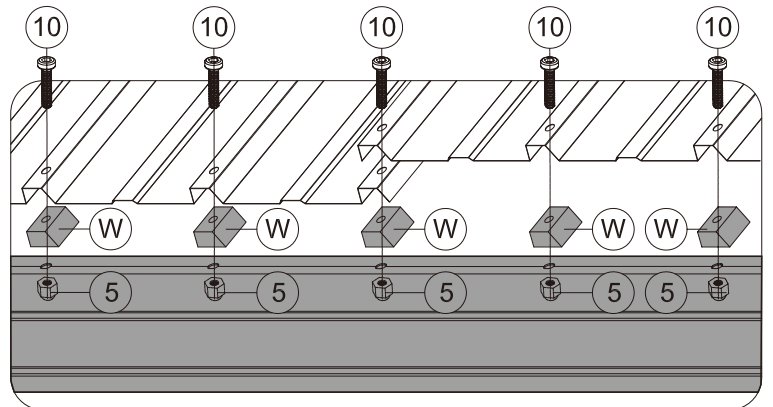


(2) Insert Part #M6 and Part #M5 into the frame.

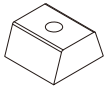


(4) Place 2 Part #W between roof panels and solidifying bars. Then secure with 2 Bolts #12 and 2 Nuts #5.

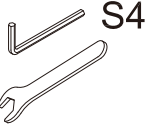
(3) Place 8 Part #W between roof panels and beams. Then secure with 8 Bolts #10 and 8 Nuts #5.



(5) Repeat the above procedures to assemble the opposite side.



(W) 16x



(1) 1x



M6

(5) 16x



M6x28

(10) 12x

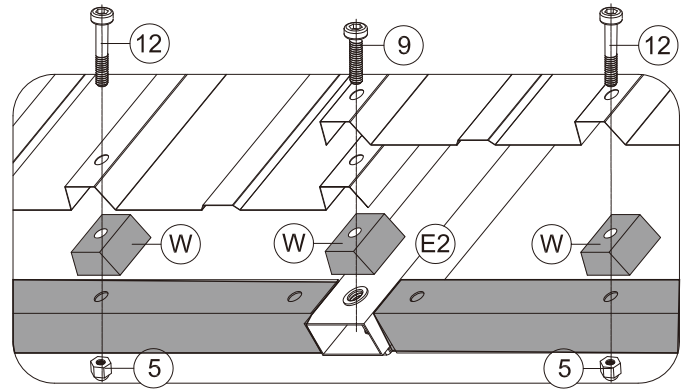


M6x50

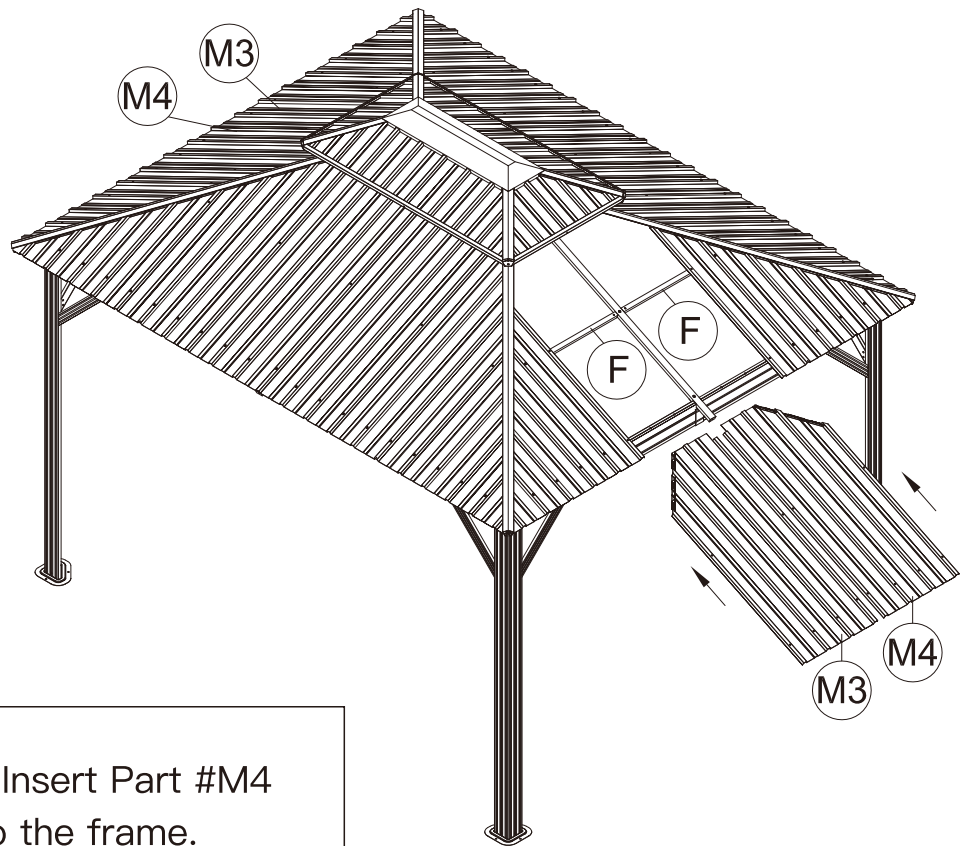
(12) 4x

**ATTENTION: The bigger roof panel need to cover the smaller one.**

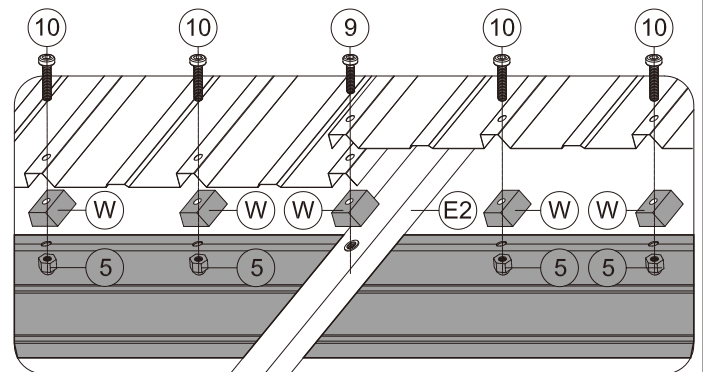
(1) Insert Part #M3 into the frame.



(3) Place 2 Part #W between roof panels and solidifying bars. Then secure with 2 Bolts #12 and 2 Nuts #5.

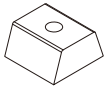


(2) Insert Part #M4 into the frame.



(4) Place 6 Part #W between roof panels and beams. Then secure with 6 Bolts #10 and 6 Nuts #5.

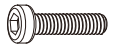
(5) Repeat the above procedures to assemble the opposite side.



W 4x



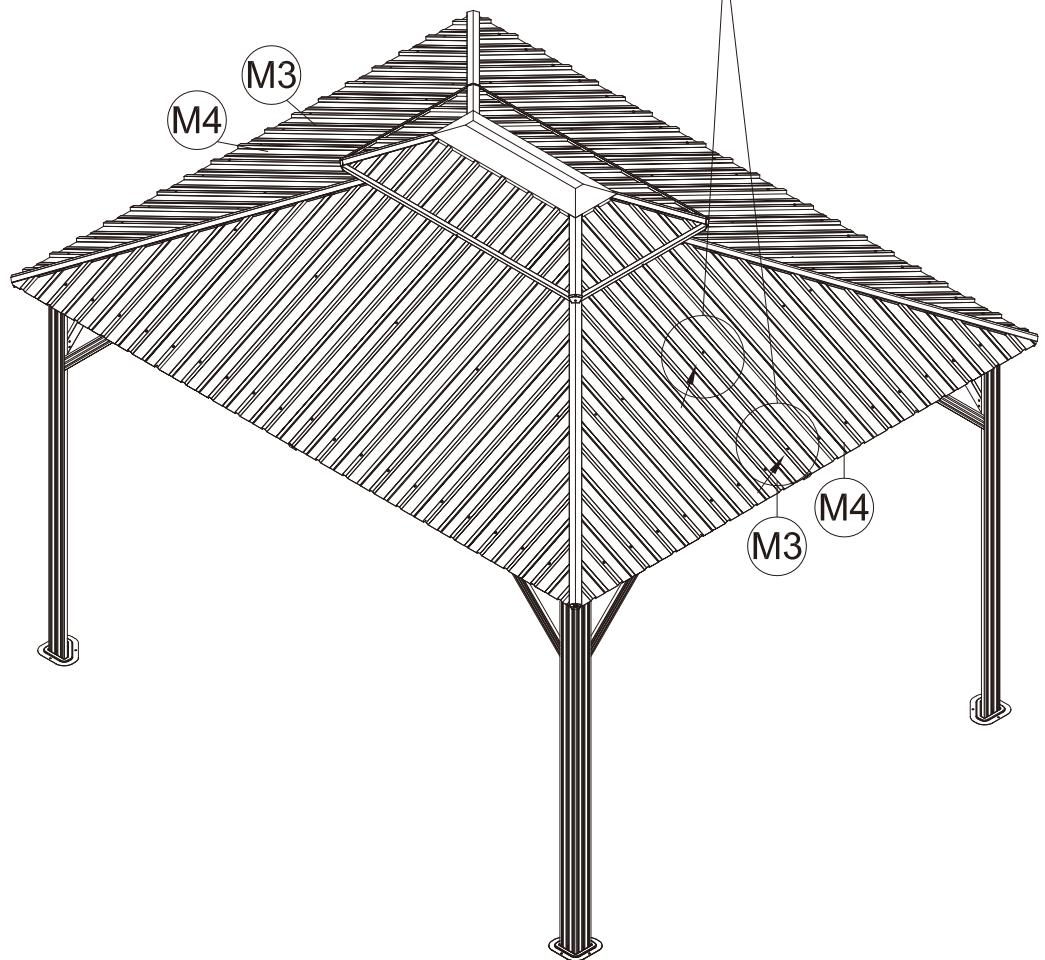
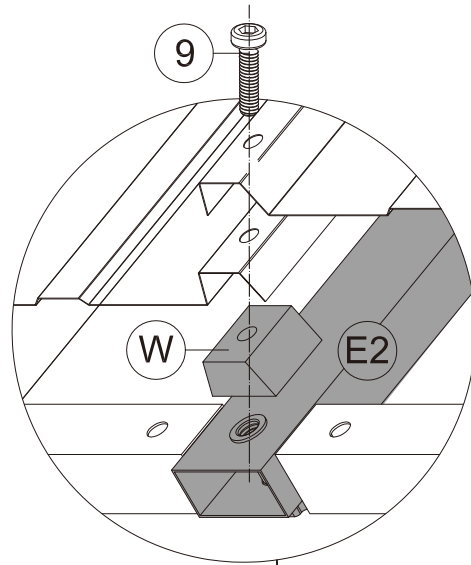
1 1x



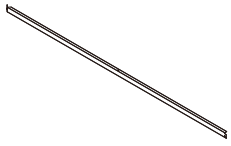
M6x25

9 4x

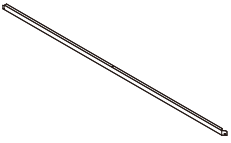
(1) Place 2 Part #W between roof panels and Part #E2. Then secure with 2 Bolts #9.



(2) Repeat the above procedures to assemble the opposite side.



(K2) 2x



(K3) 2x

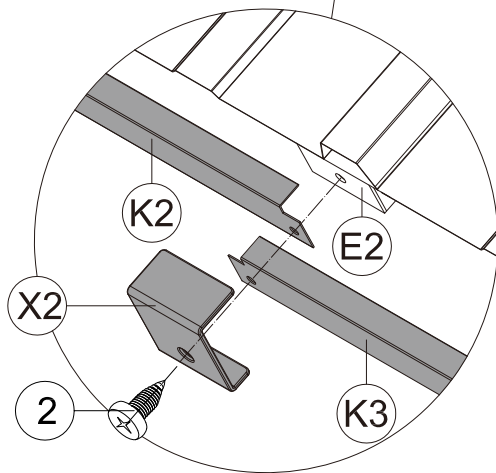
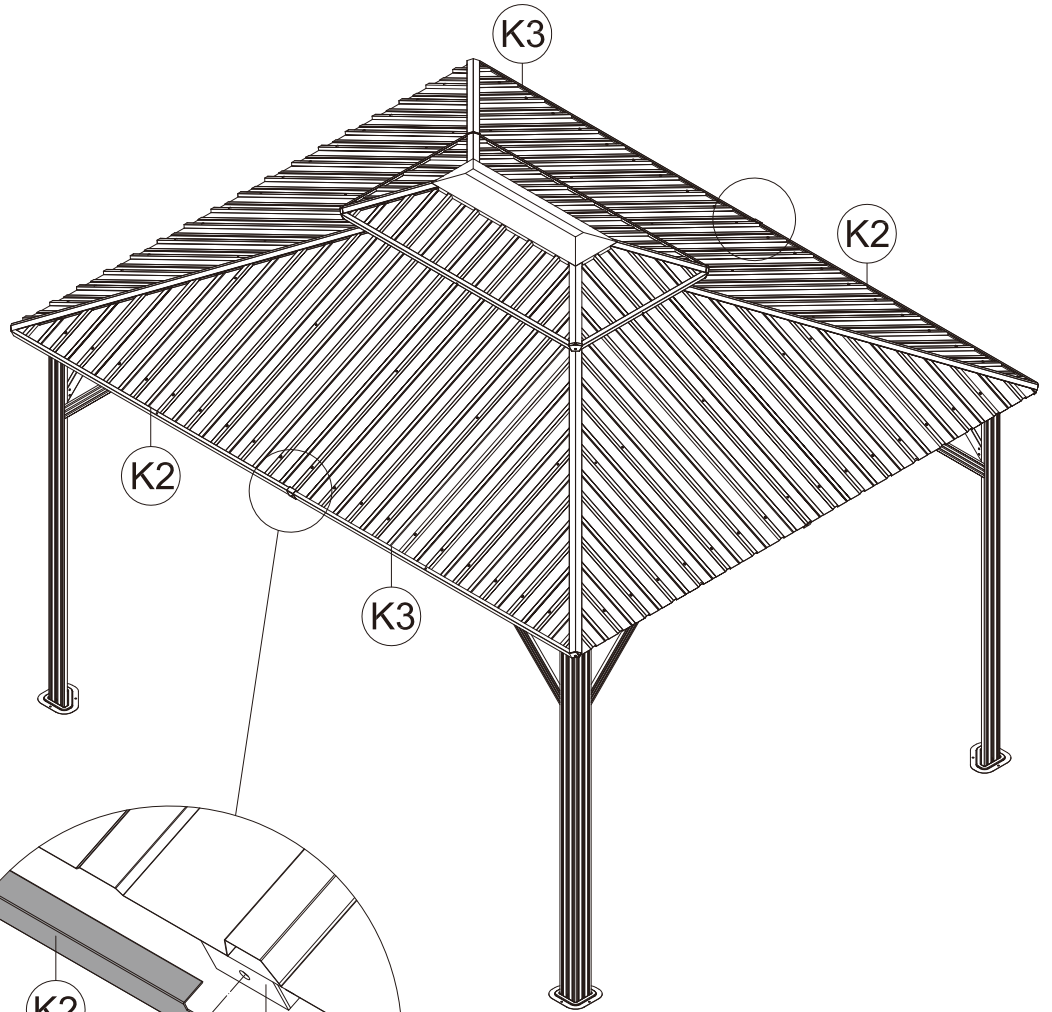


(X2) 2x



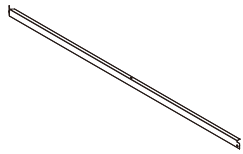
ST6.3x15

(2) 2x

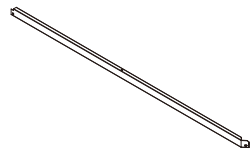


(1) Place Part #K2 and Part #K3 on Part #E2;  
Put on Part #X2 and secure with Bolt #2.

(2) Repeat the above procedures to assemble the opposite side.



(K) 2x



(K1) 2x



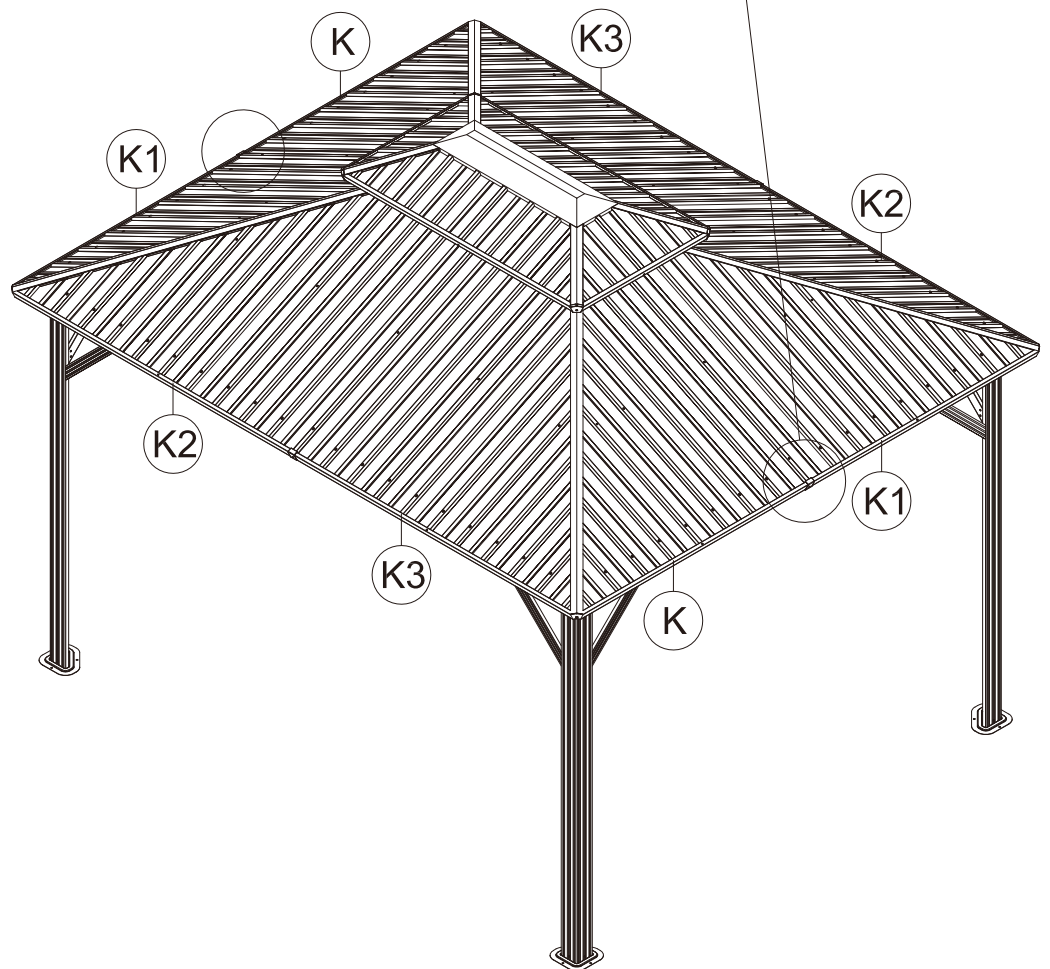
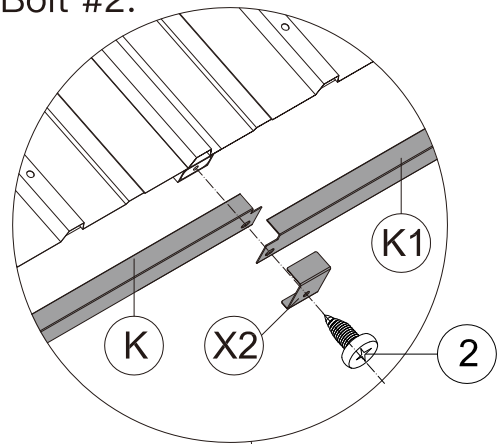
(X2) 2x



ST6.3x15

(2) 2x

(1) Place Part #K and Part #K1 on Part #E2;  
Put on Part #X2 and secure with Bolt #2.



(2) Repeat the above procedures to assemble the opposite side.

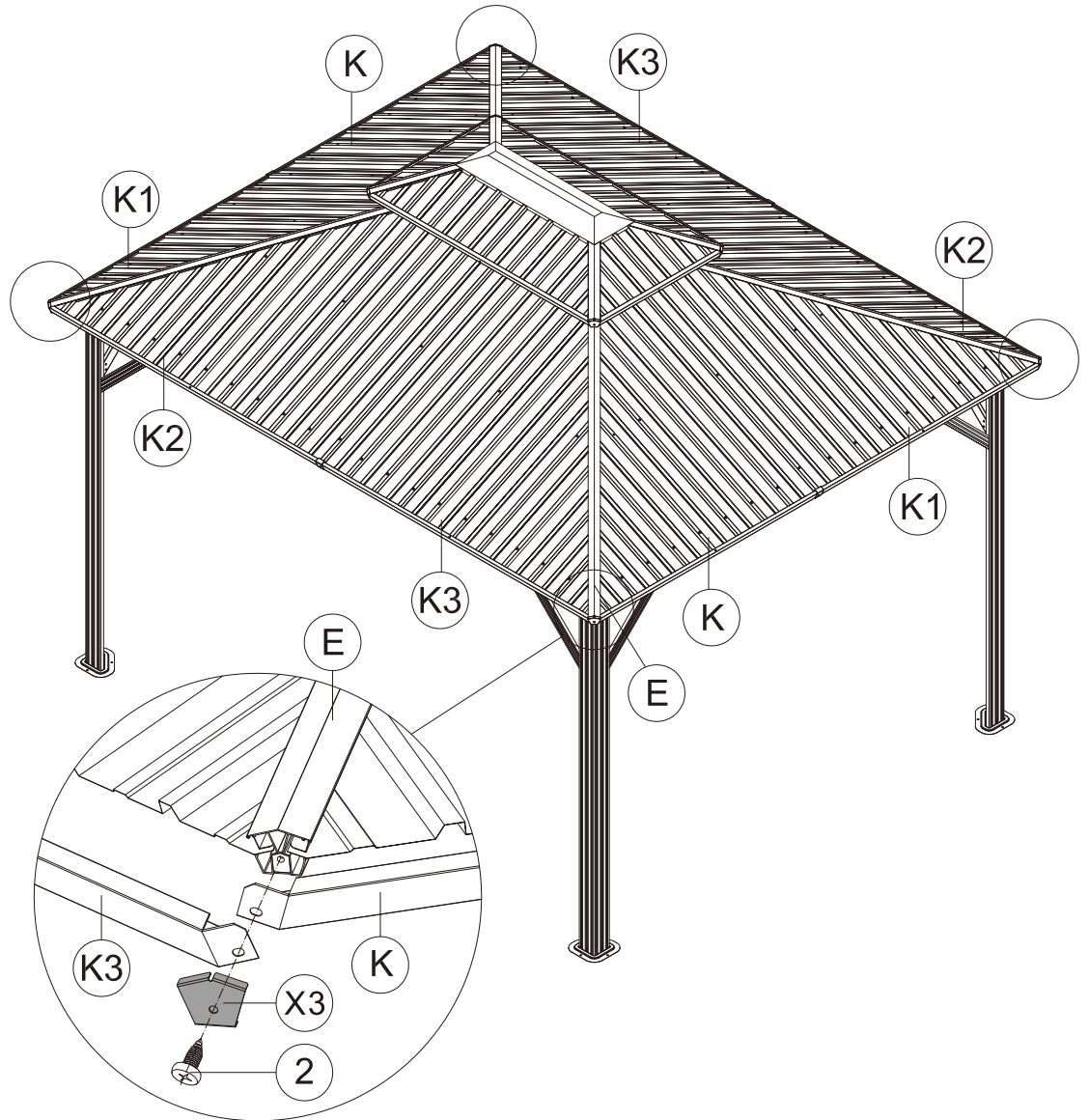


X3 4x



ST6.3x15

2 4x



(1) Place Part #K3 and Part #K on Part #E;  
Put on Part #X3 and secure with Self-tapping Screw #2.

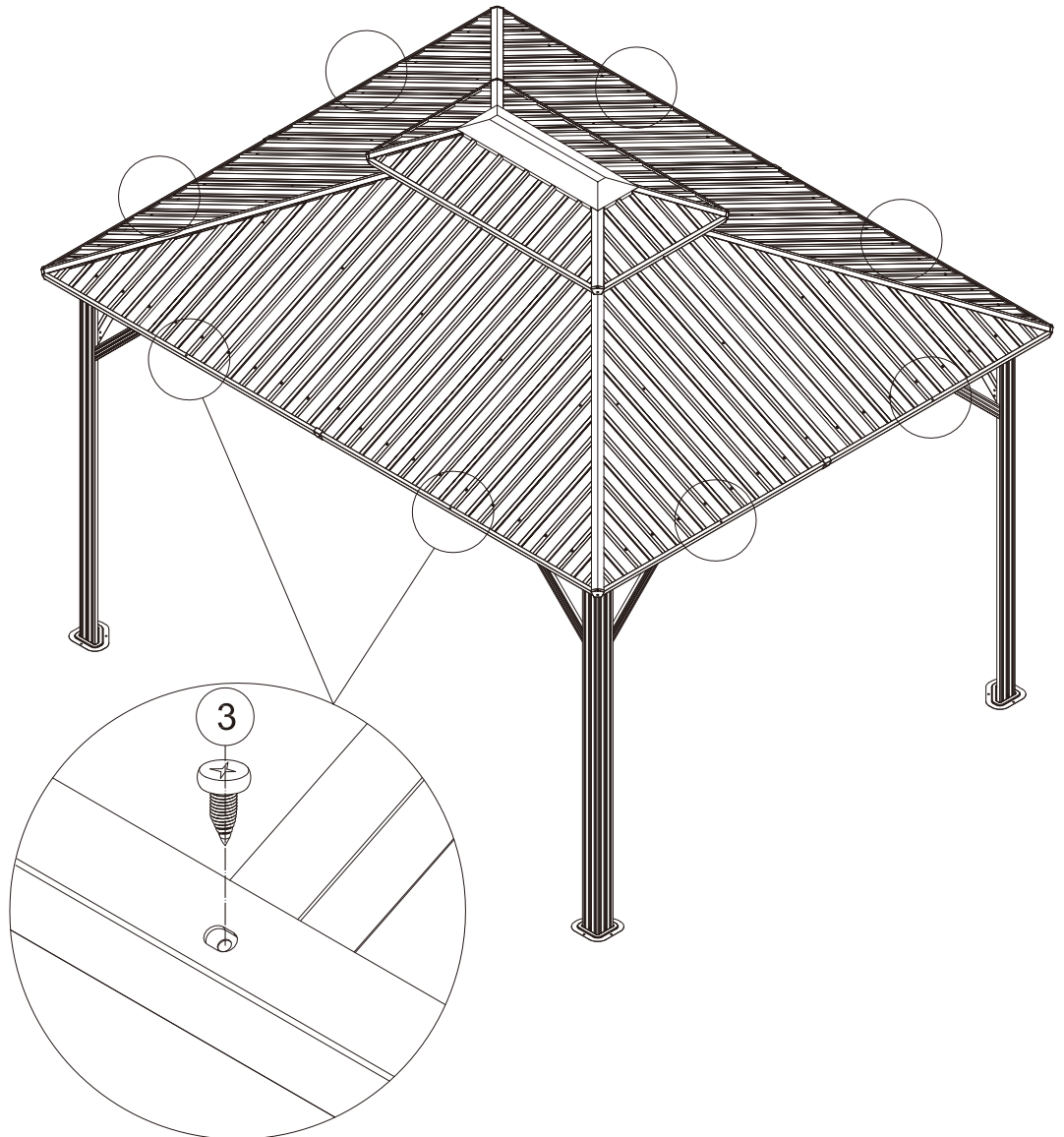
(2) Repeat the above procedures to assemble the other 3 corners.



ST5x16

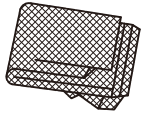
3

8x



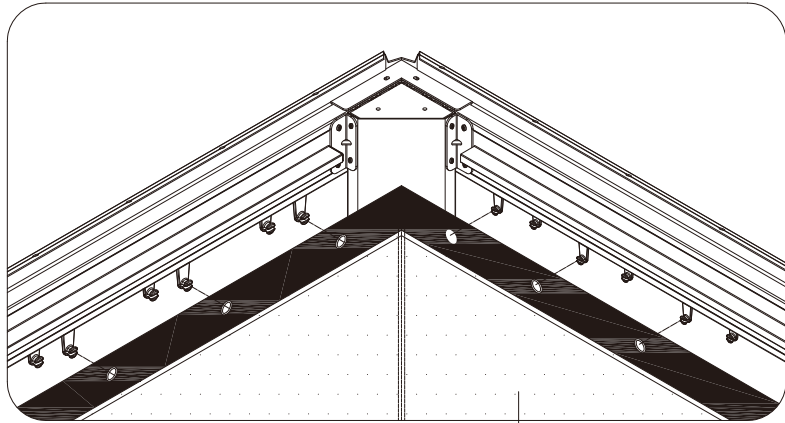
(1) Attach roof panels to finishing bars with 2 Self-tapping Screws #3.

(2) Repeat the above procedures to assemble the other 3 sides.



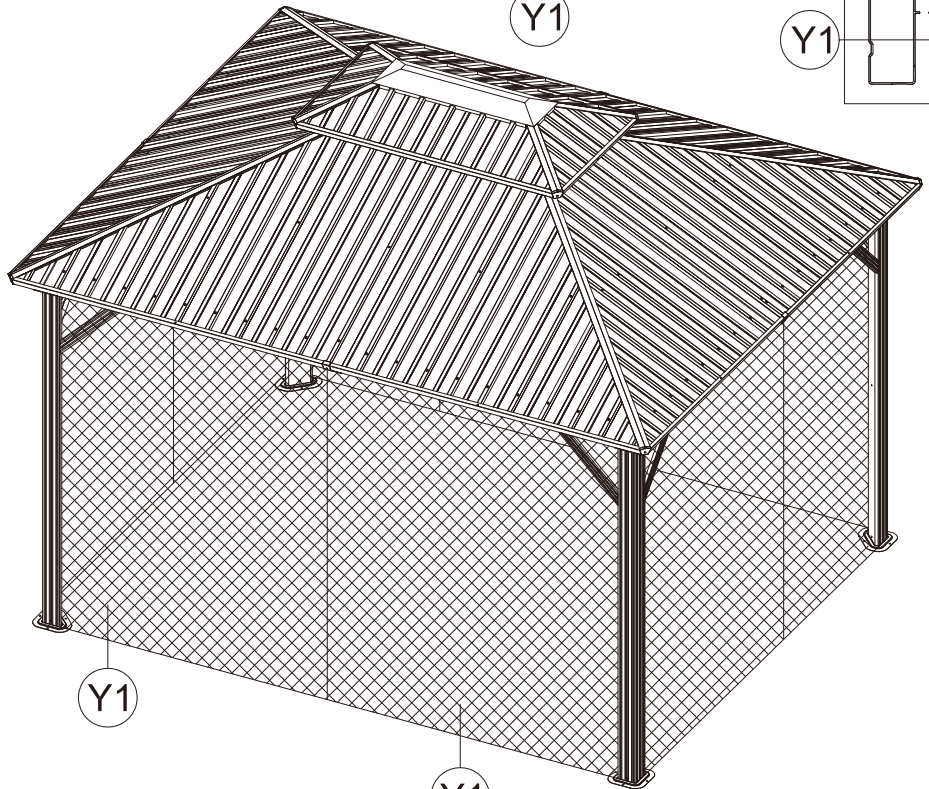
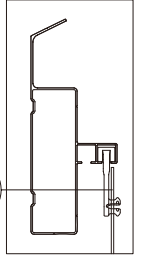
Y1 4x

# Hang up Mosquito Netting to **Inside Track**



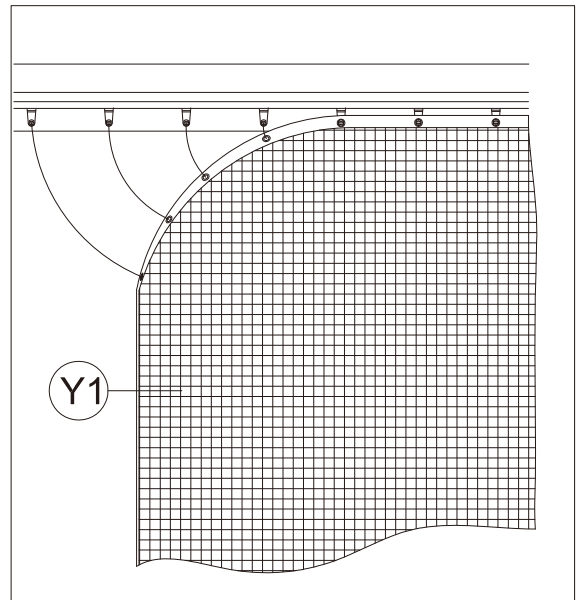
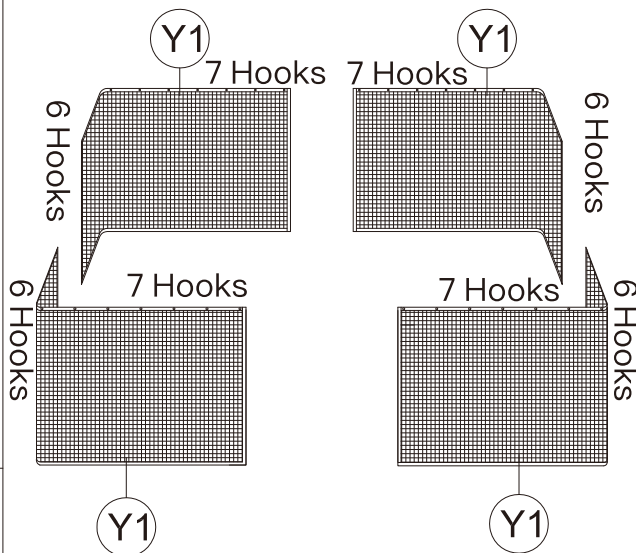
Y1

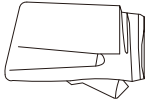
Y1



Y1

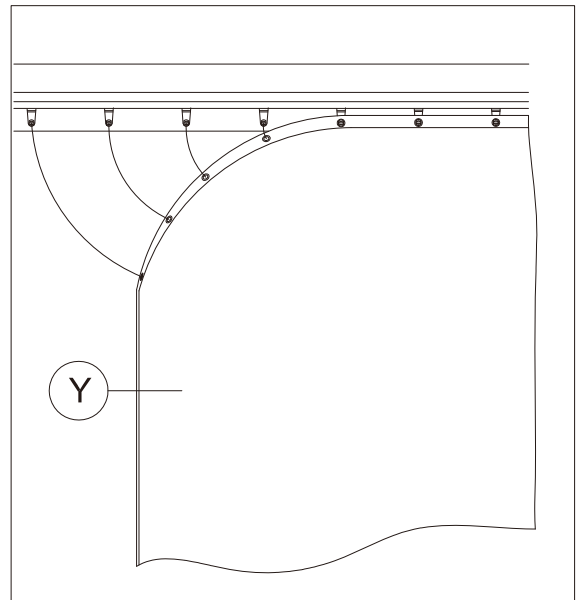
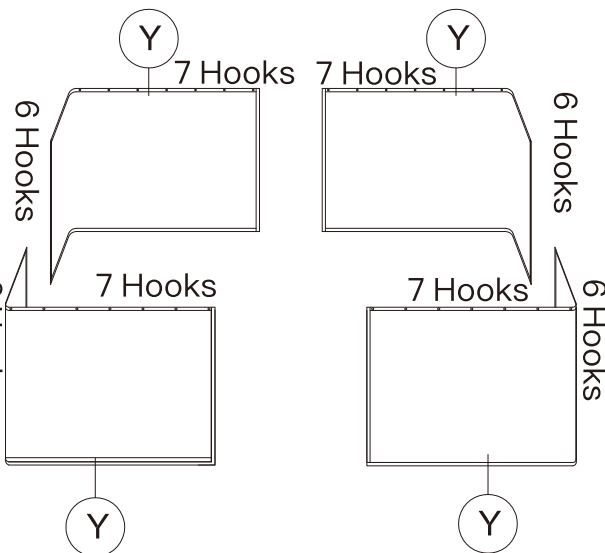
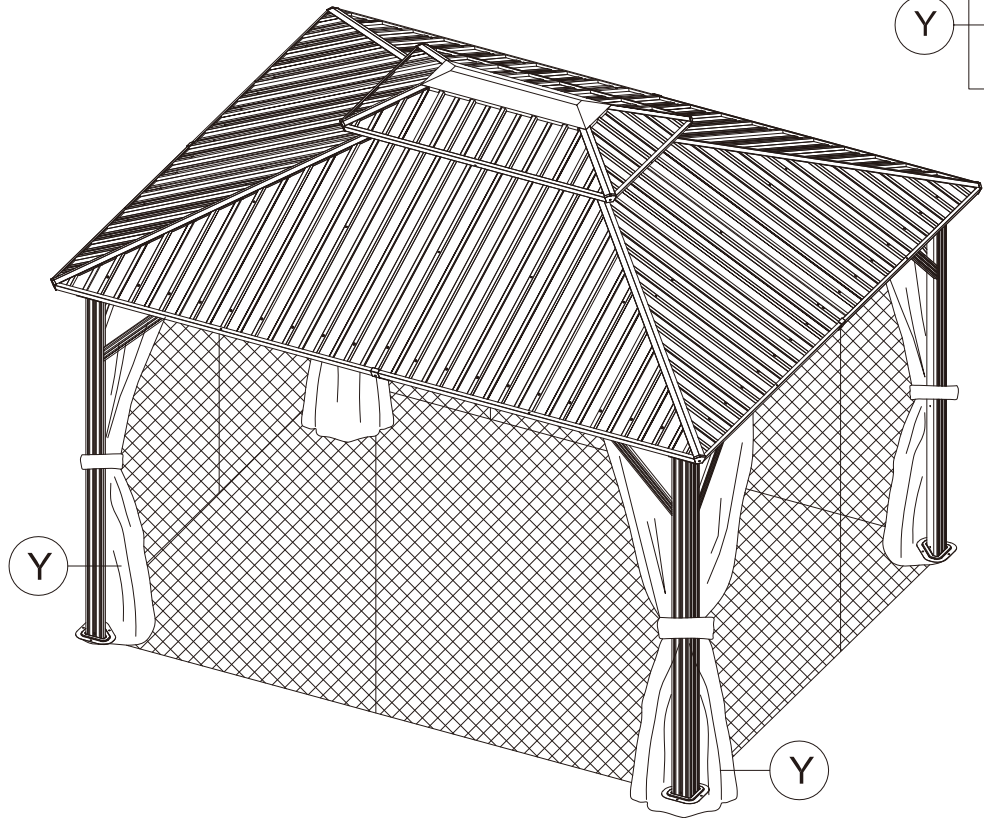
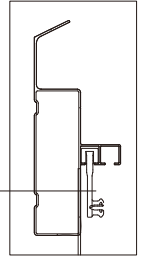
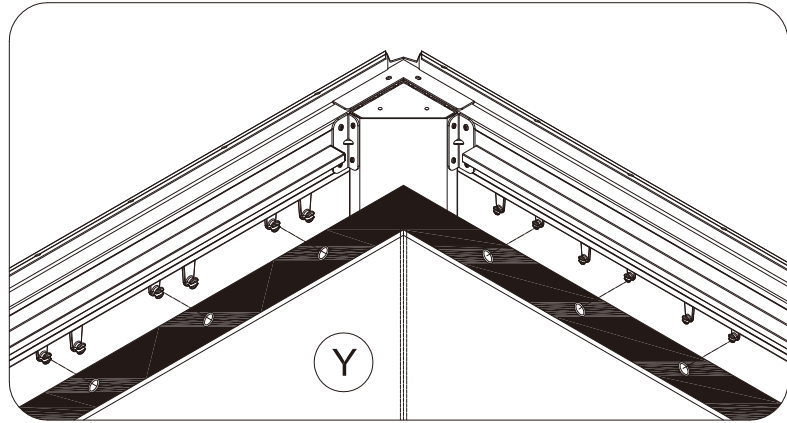
Y1





Y 4x

# Hang up Curtains to **Outside Track**



# Thanks for your purchase.

At domi outdoor living, we believe in our products.

That's why we provide a 12-month warranty and friendly, easy-to-reach after-sales service. So, if you have any questions about our product or assembly, please feel free to contact us. We are here for you.

**Support:**  

**After-sales contact email:**

[service@domioutdoorliving.com](mailto:service@domioutdoorliving.com)

Please have your order ID available if you reach out for support.

If you have damaged parts or product, please send us photos for an immediate response.