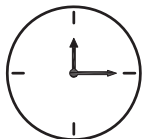
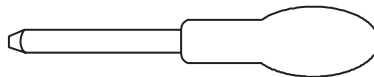


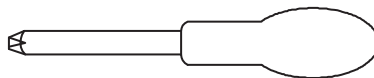
2 Person



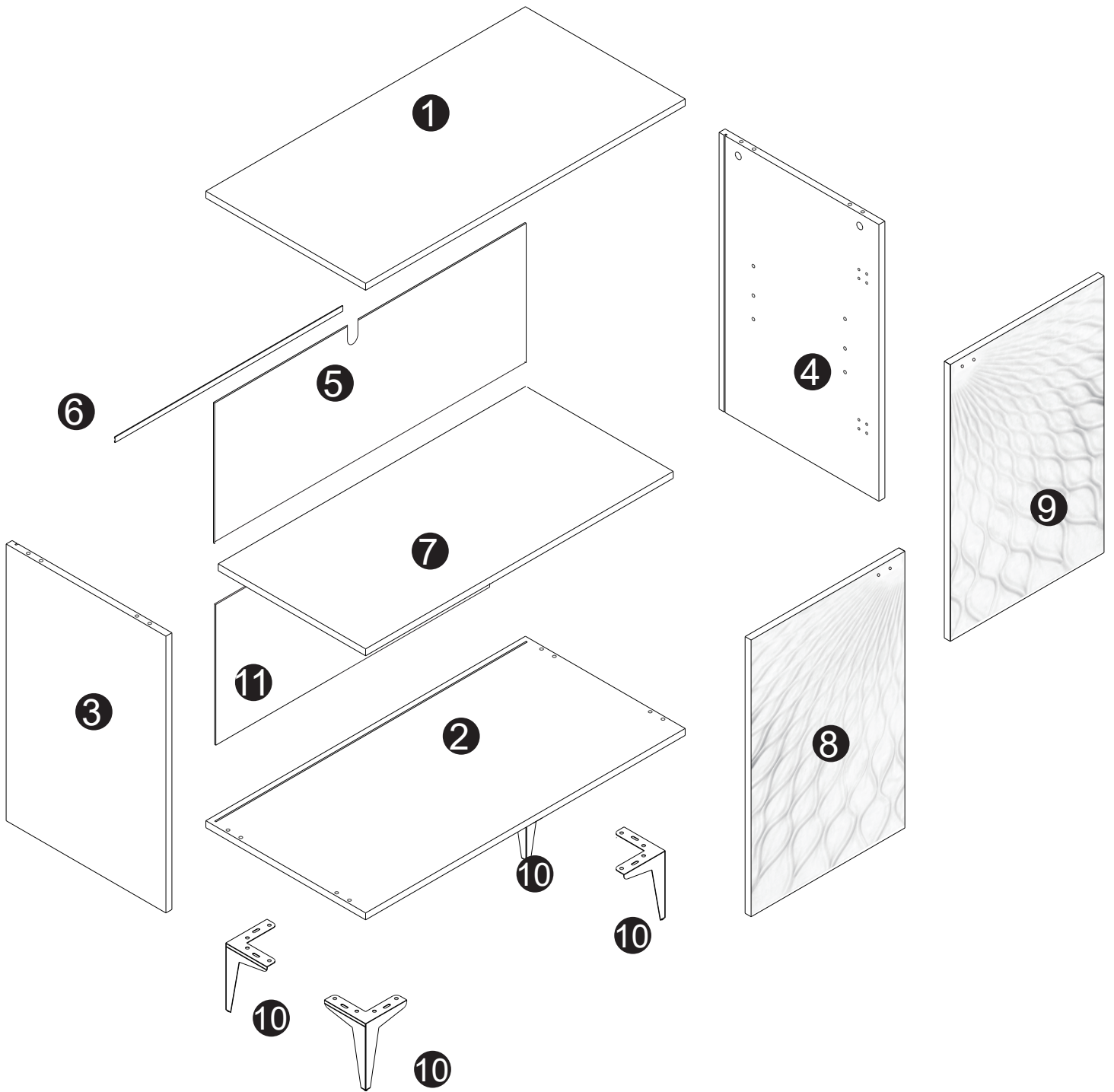
30 MIN

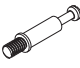


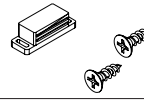

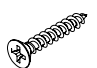

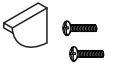


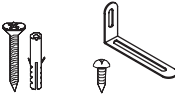
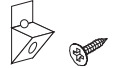




SLOTTED SCREWDRIVER(Not Provided)

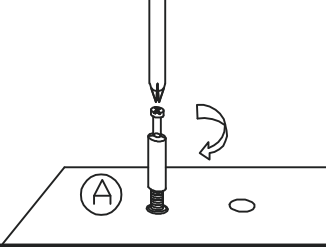
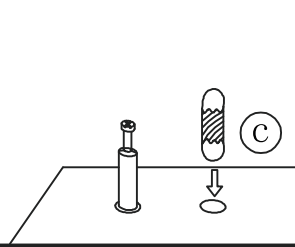
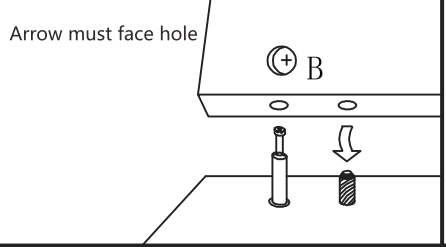
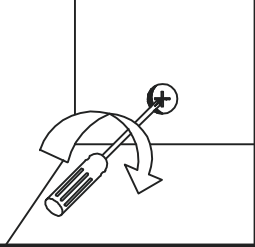


POZI SCREWDRIVER(Not Provided)

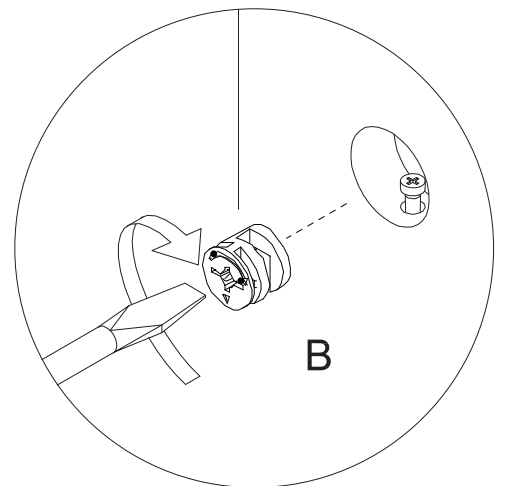
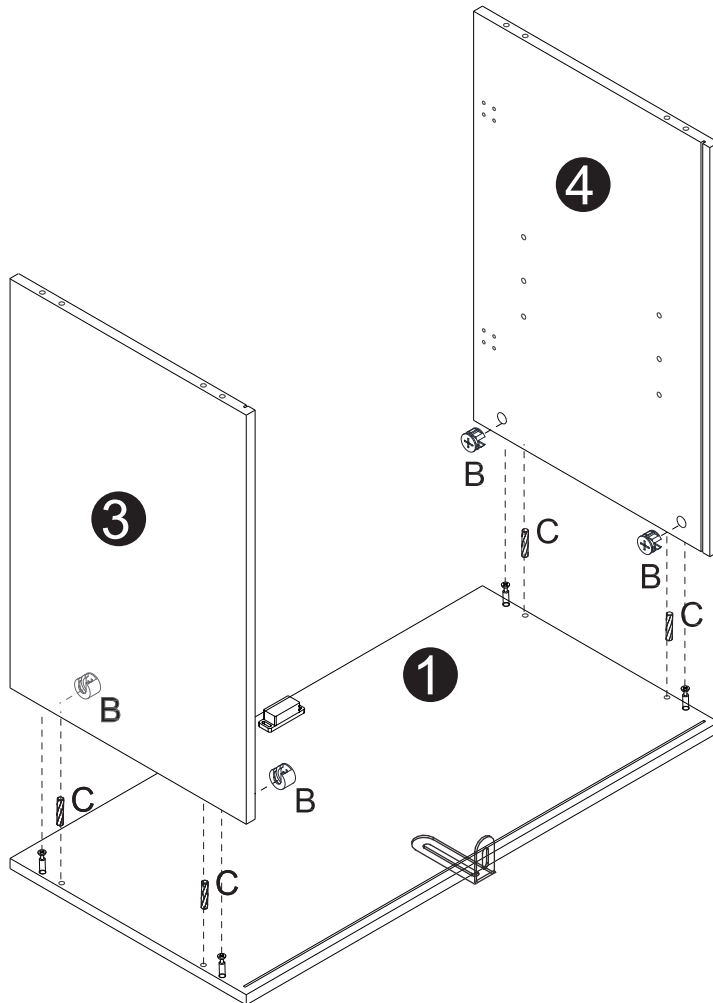
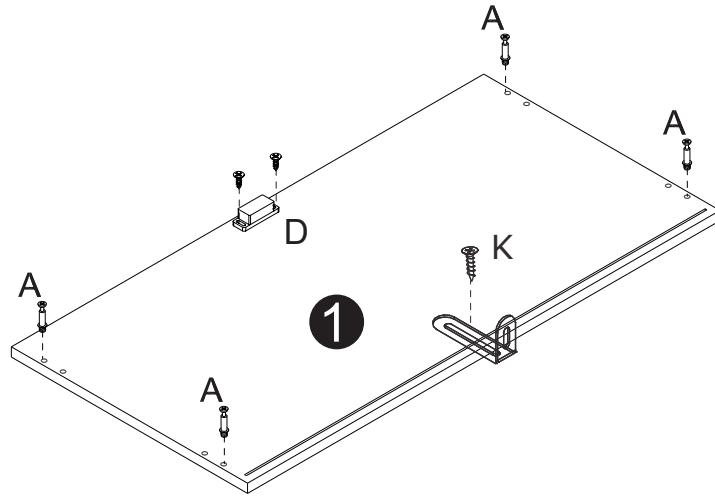


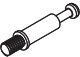


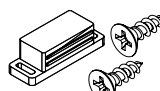
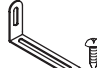
A	x4	B	x4	C	x8	D	x1	E	x26	F	x4
											
G	x4	H	x1	I	x1	J	x4	K	x1	L	x8
											
M	x16	N	x2								
											

PS: Please kindly read this assemble instruction about some common parts .

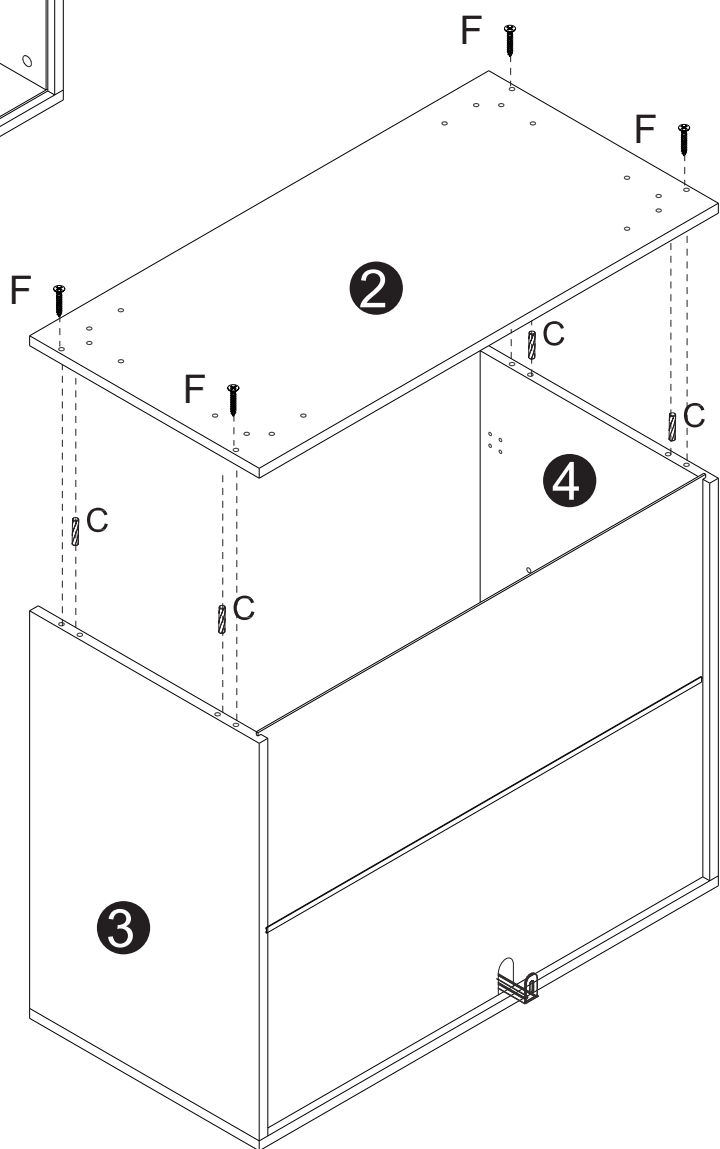
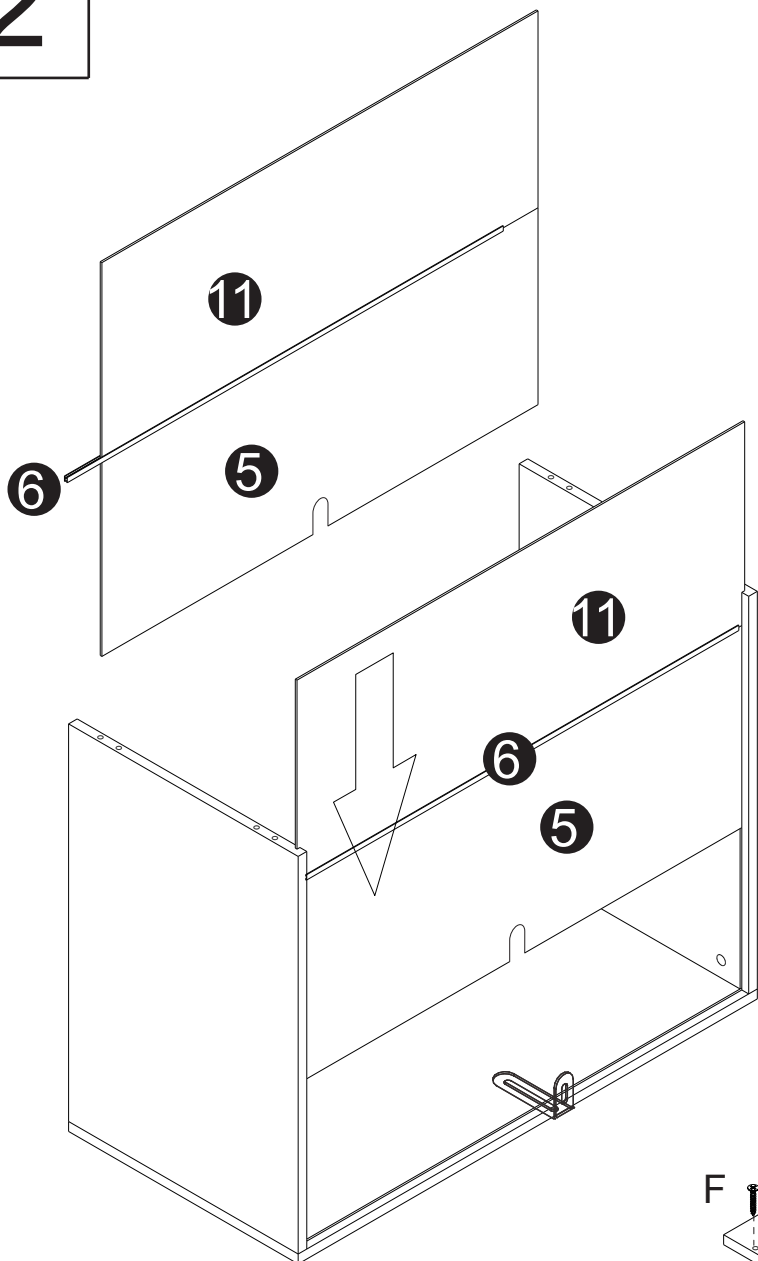
			
Gently screw cam bolt into the threaded anchor.	Insert the wood dowel halfway into hole.	Arrow must face hole	Screw the camlock firmly into locked position.



1



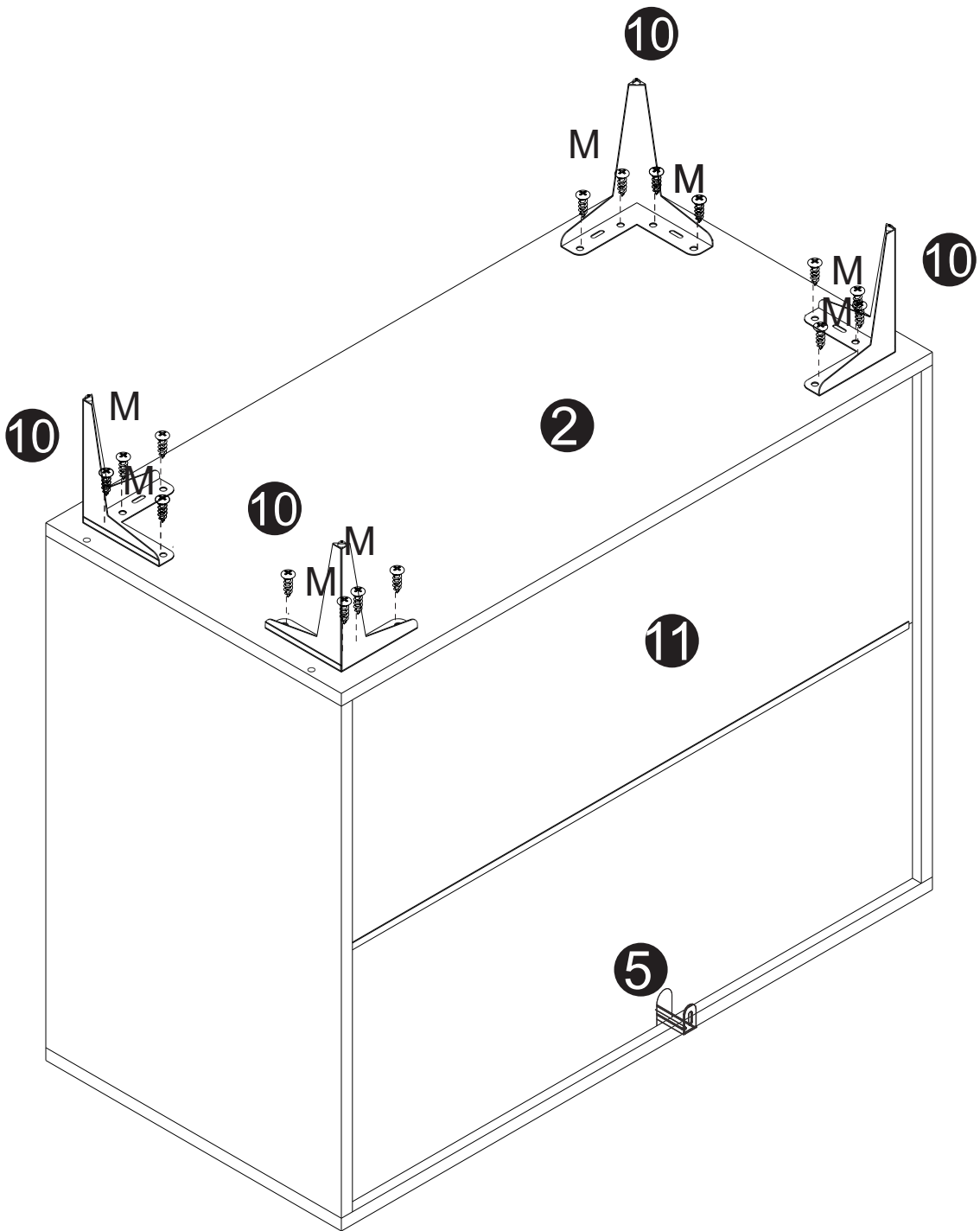
A	x4	B	x4	C	x4	D	x1	K	x1
									

2



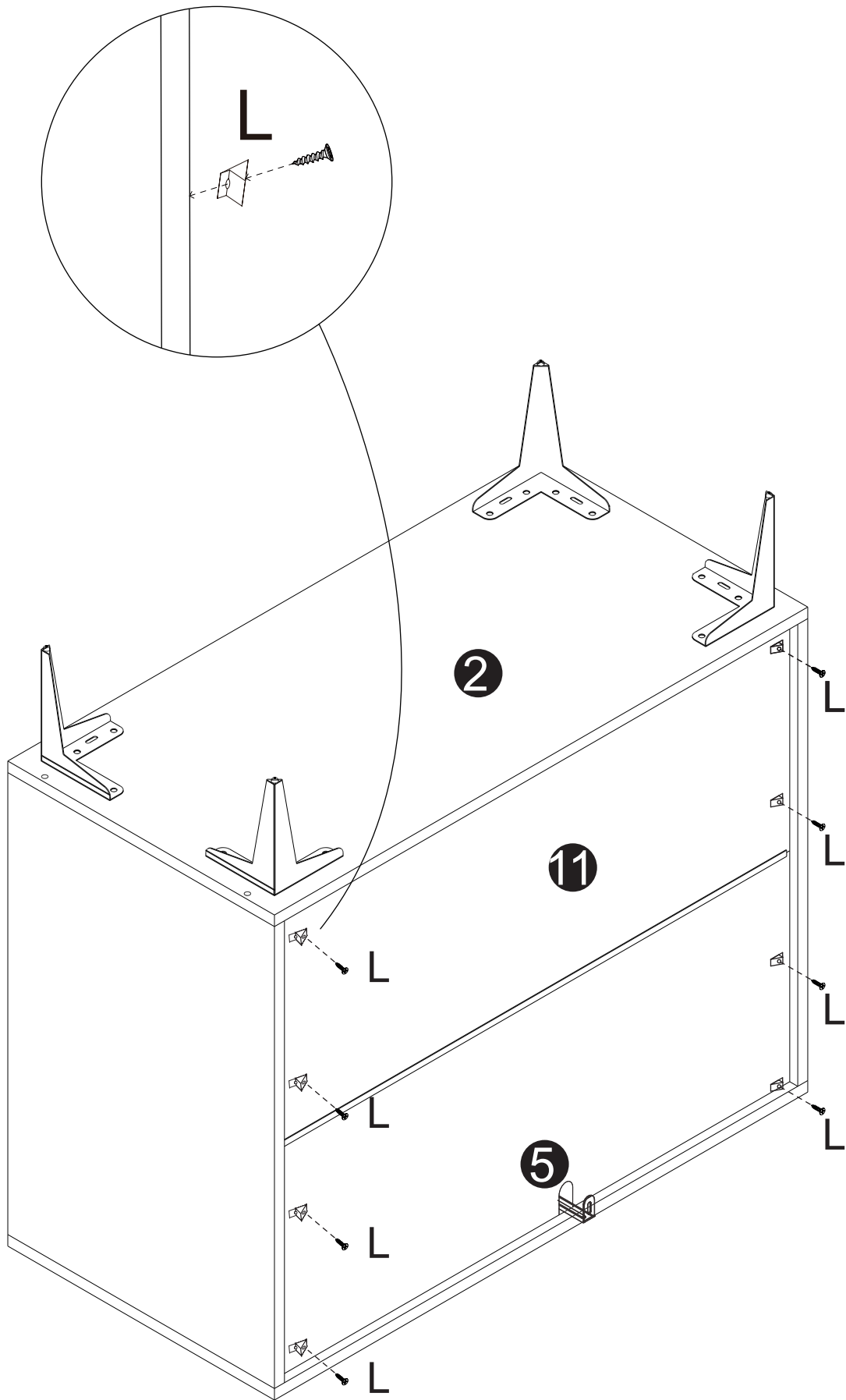
C	x4	F	x4
			

3



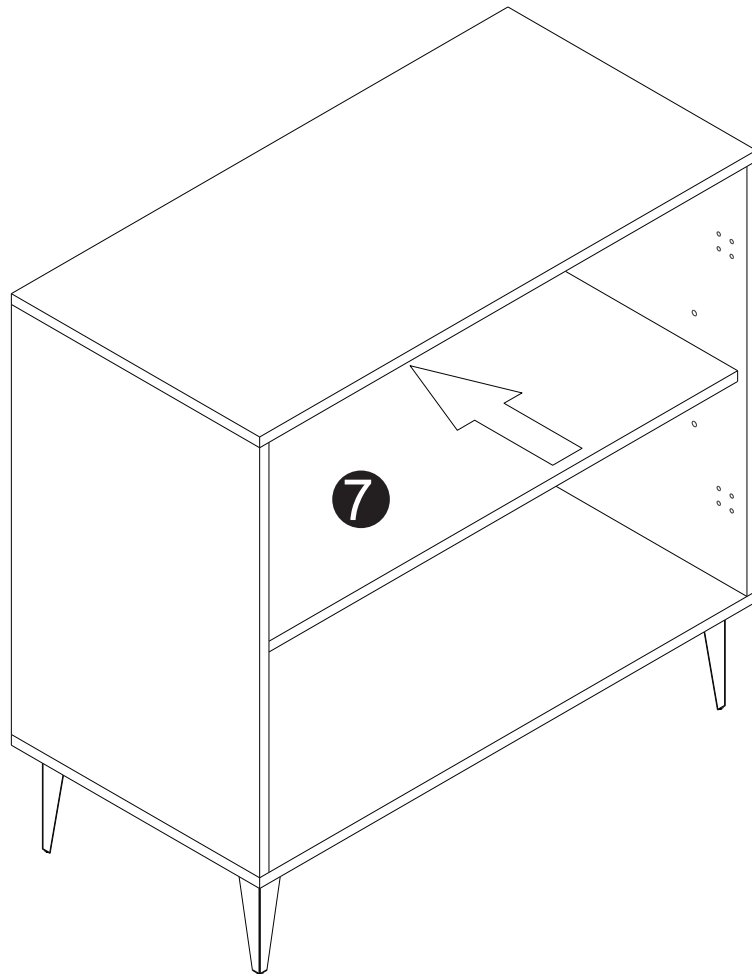
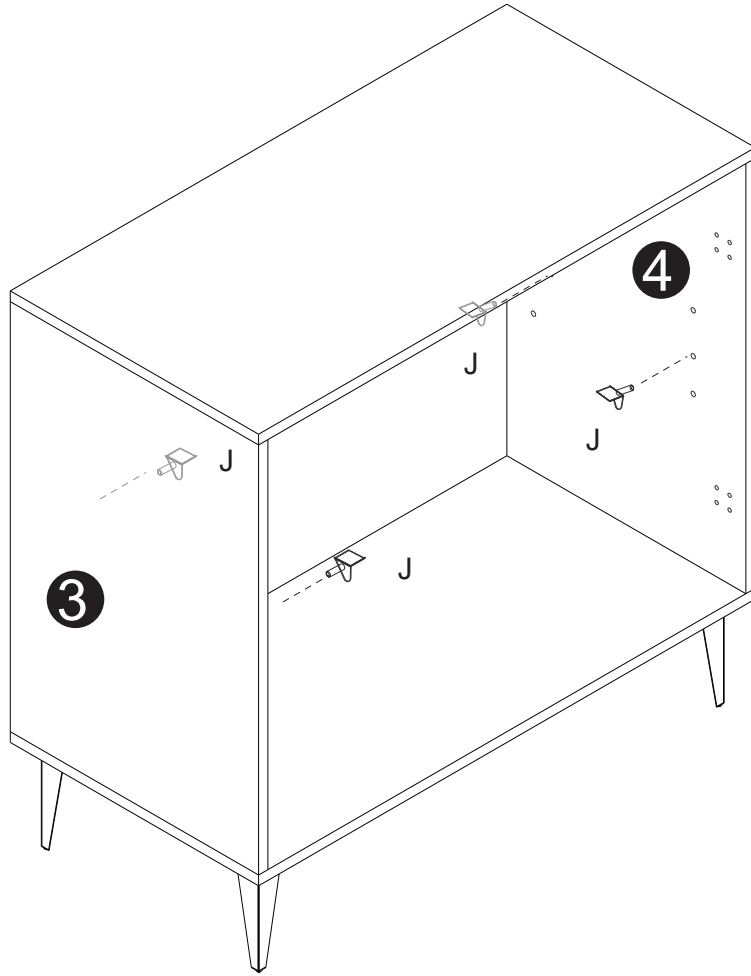
M	x16

4



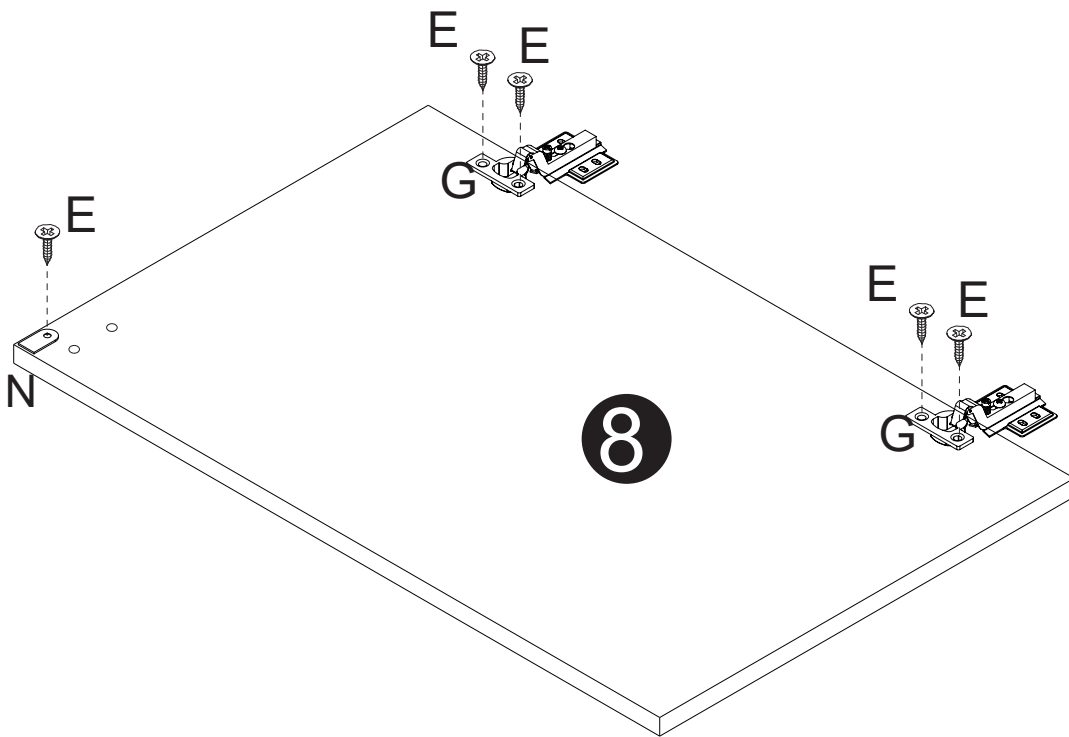
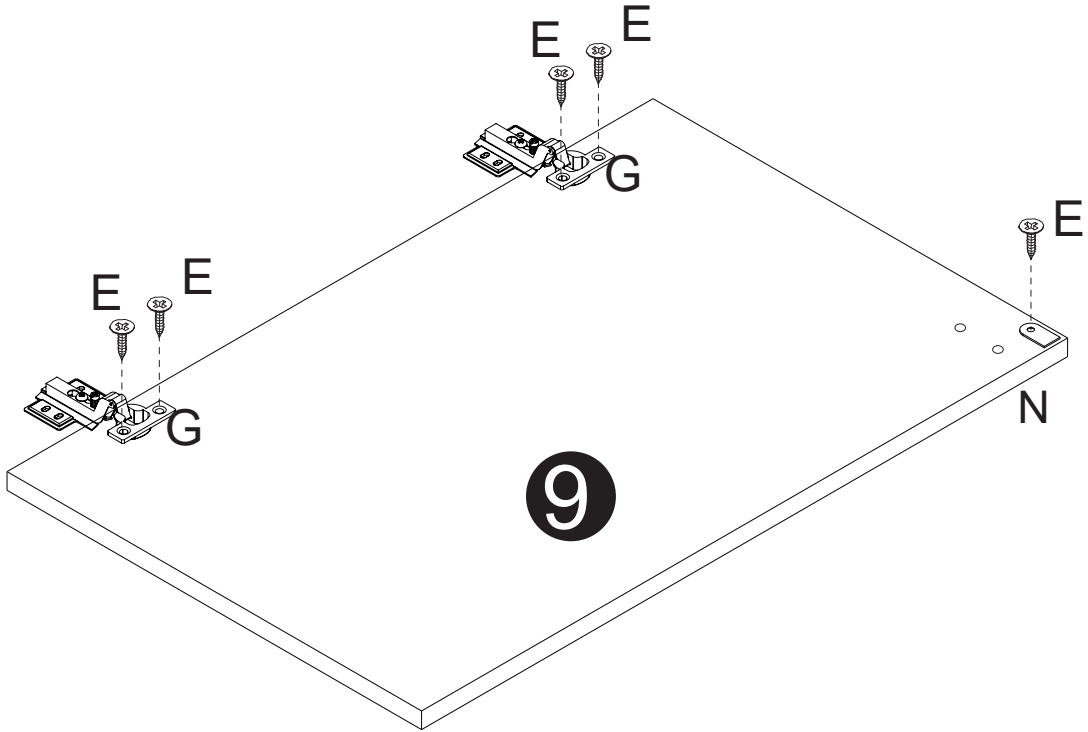
L	x8




5



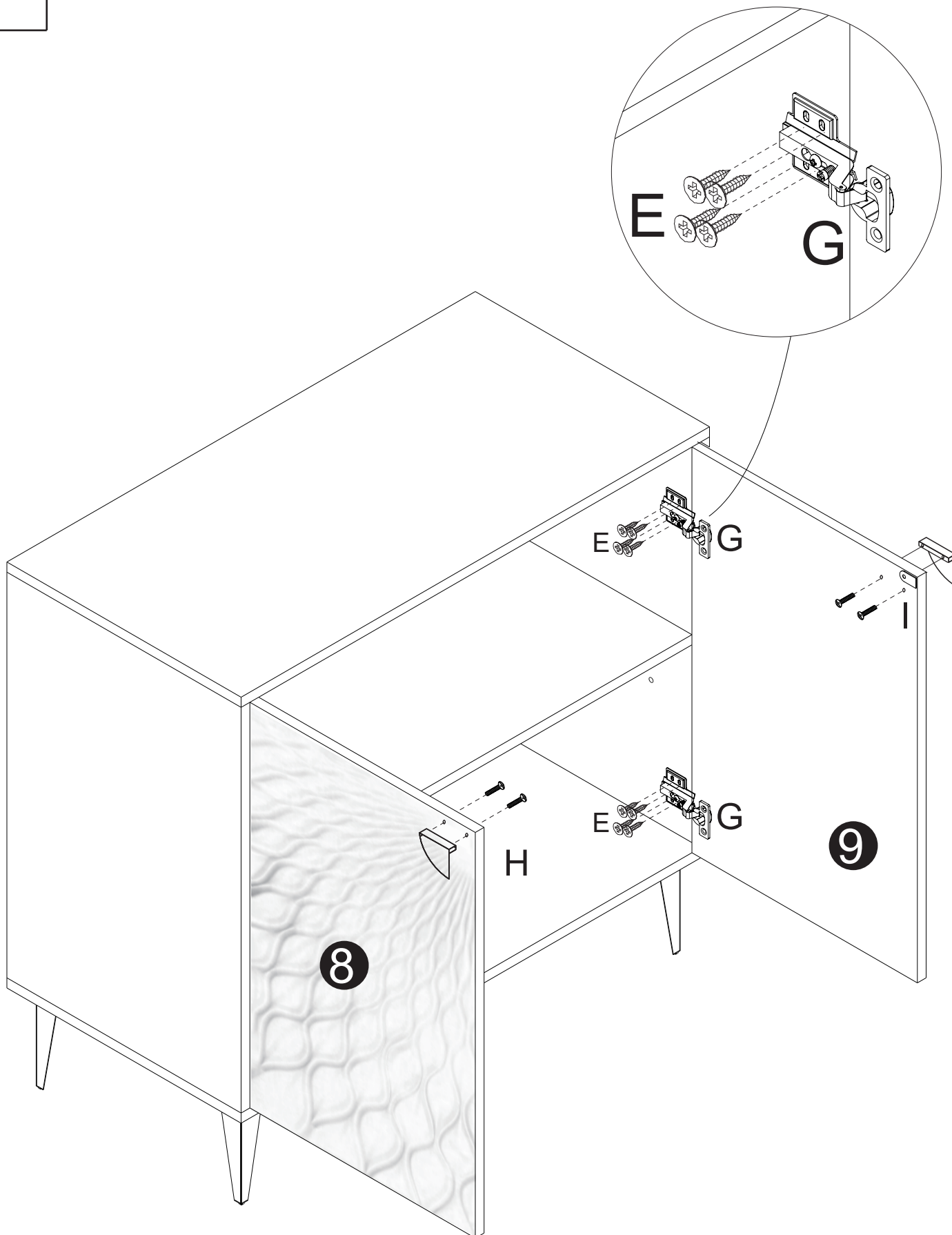
J	x4

6



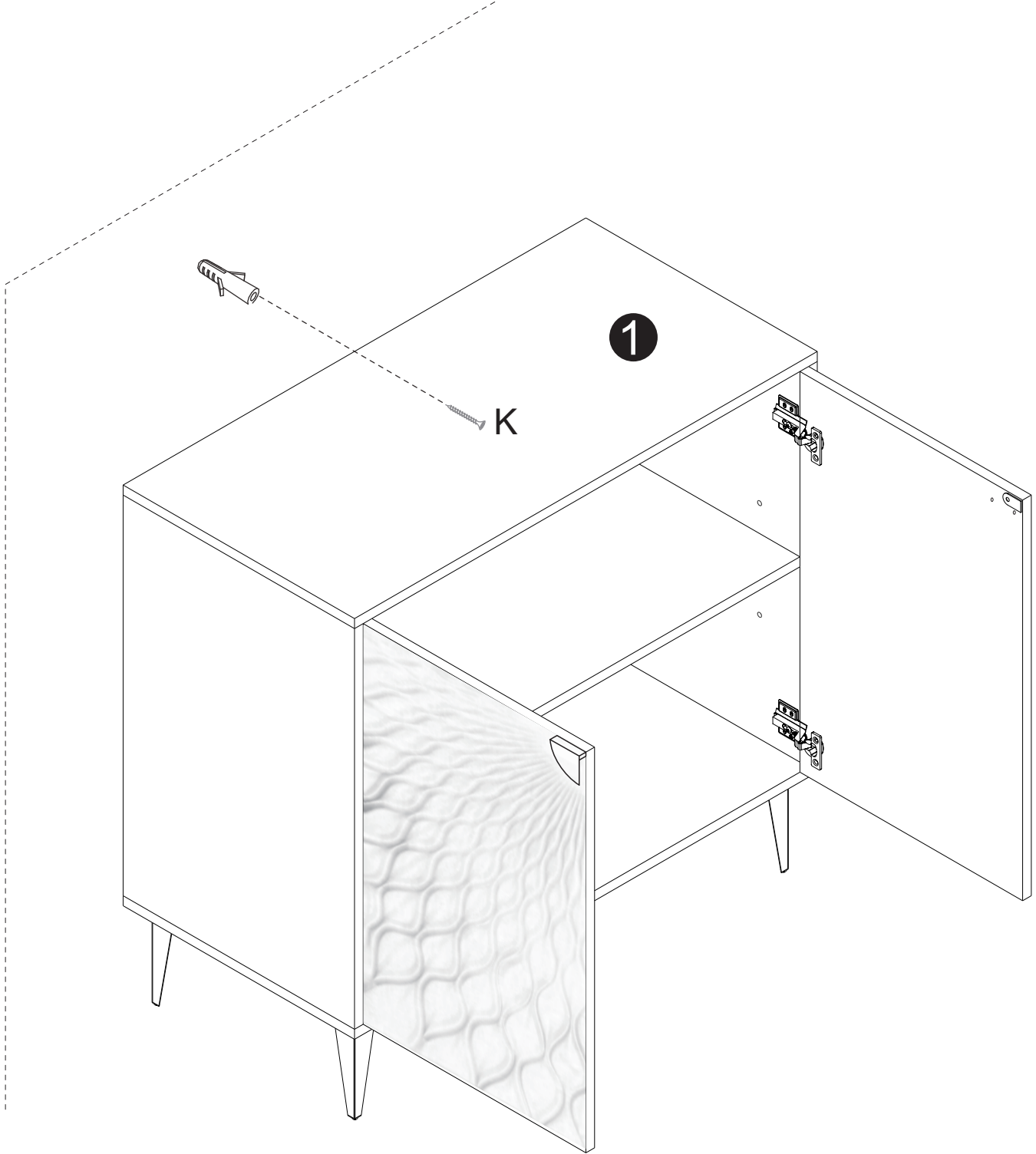
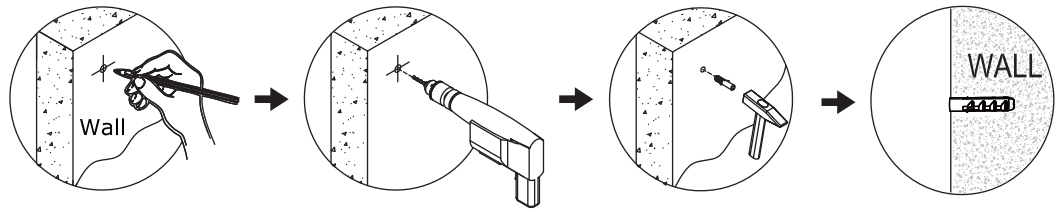
N	x2	E	x10	G	x4
					

7



H	x1	I	x1	E	x16

8



K	x1