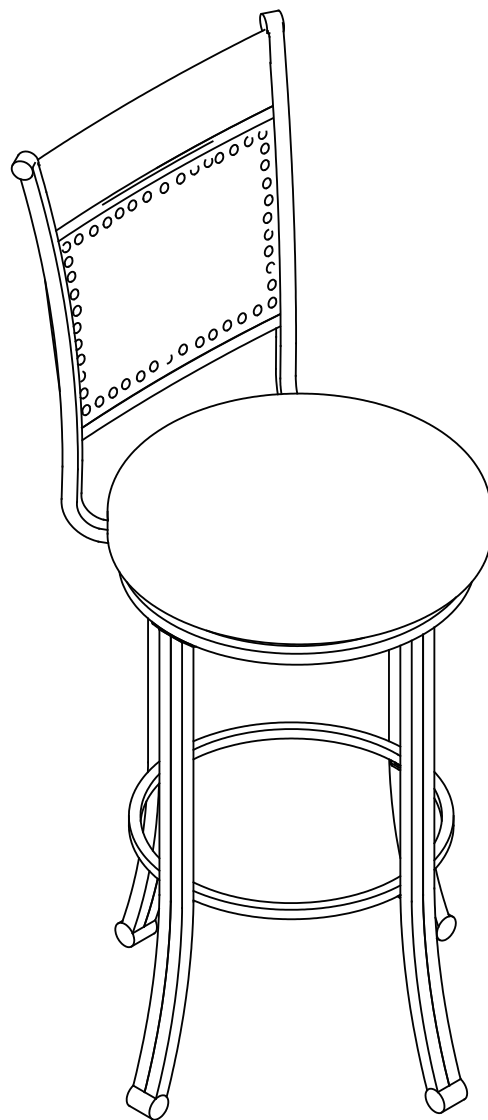


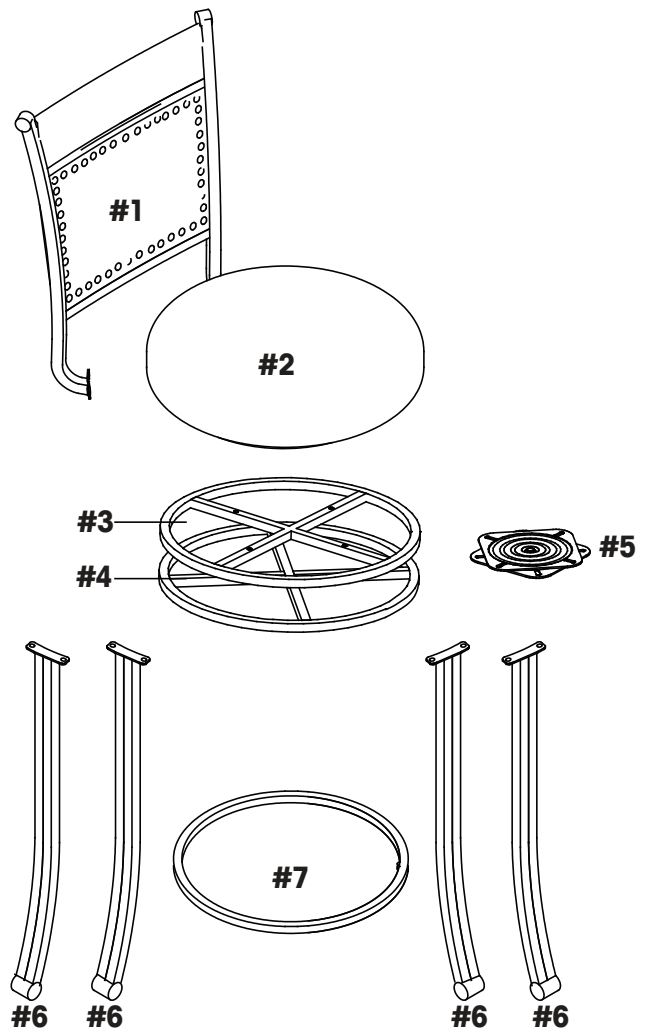
---

**SWIVEL BARSTOOL**  
**TABOURET DE BAR PIVOTANT**  
**TABURETE DE BAR GIRATORIO**




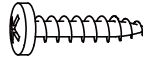


## Part List



#1	CHAIR BACK	01
#2	CUSHION	01
#3	SEAT FRAME UPPER	01
#4	SEAT FRAME BASE	01
#5	SWIVEL	01
#6	LEG	04
#7	SUPPORT RING	01



## HARDWARE LIST

A	BOLT (Ø1/4"X5/8")		28
B	SPRING WASHER		28
C	FLAT WASHER		28
D	SCREW (Ø3/8"X1-1/4)		04

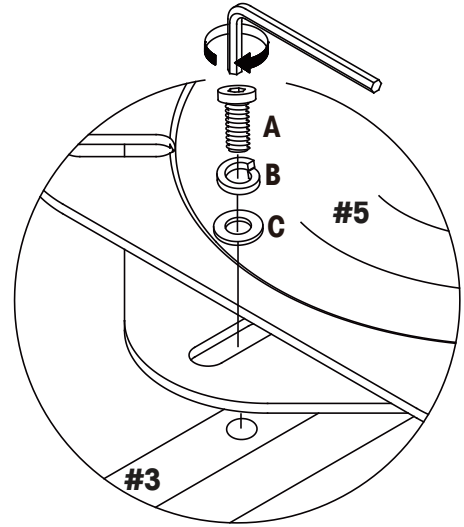
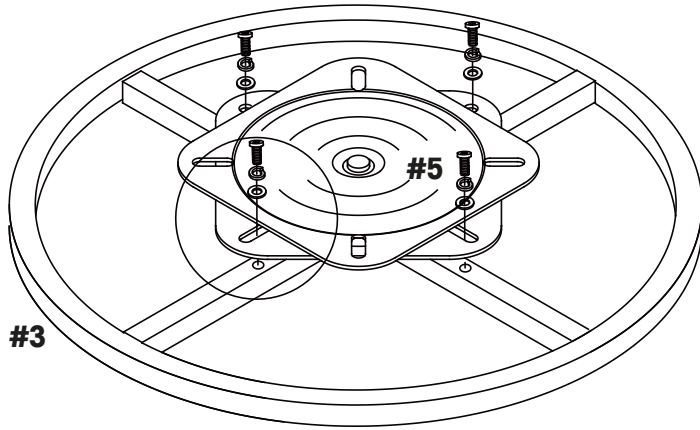
## TOOLS REQUIRED

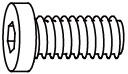


PHILIPS SCREWDRIVER		NOT SUPPLIED
ALLEN KEY		SUPPLIED

### IMPORTANT:

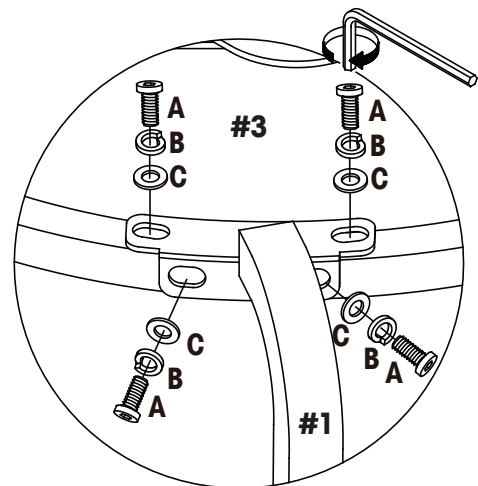
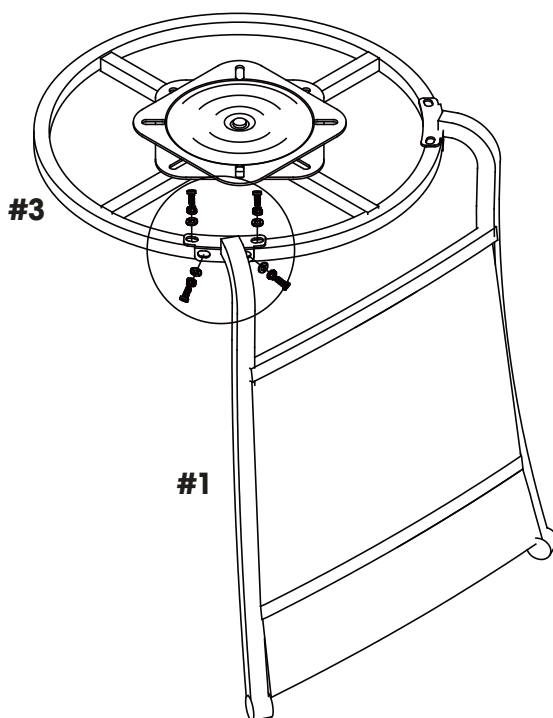
1. Do not tighten bolts completely until all bolts are completely lined up and inserted into holes / nuts.
2. Do not over tighten screws and bolts to avoid stripping.
3. Please use hand tools to assemble this product. Do not use power tools.

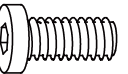
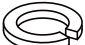
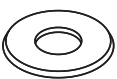
1.



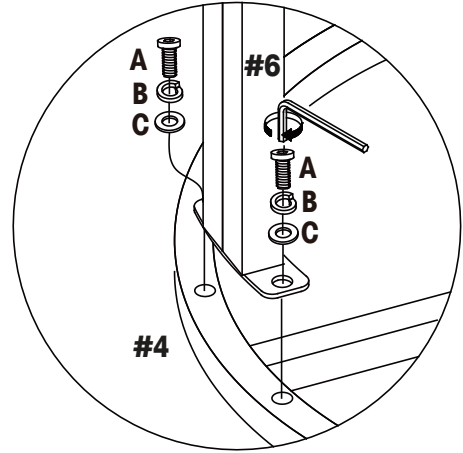
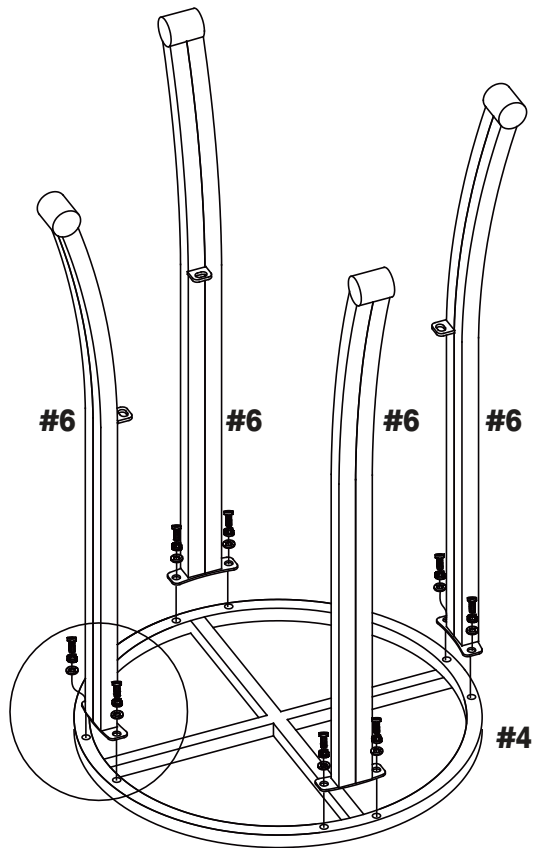
A		04
B		04
C		04

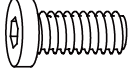


2.



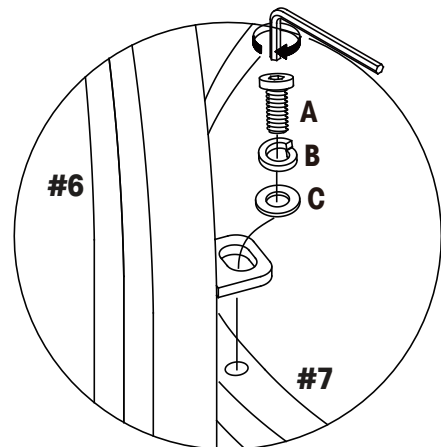
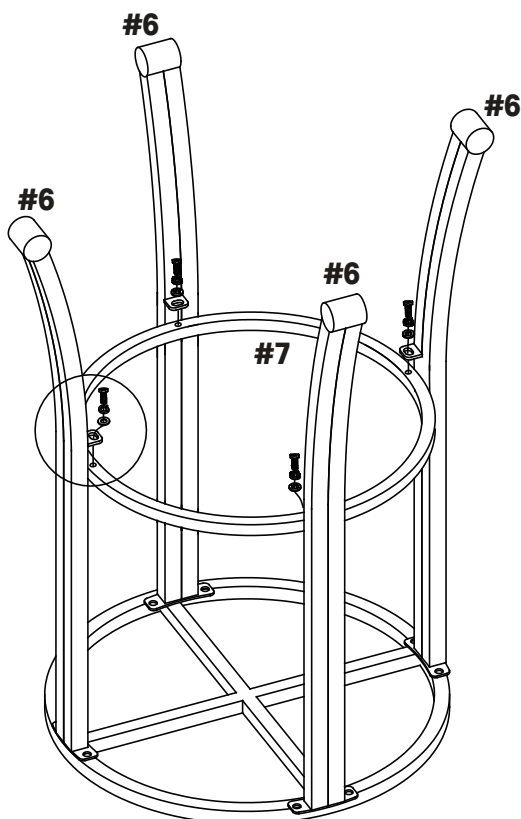
A		08
B		08
C		08

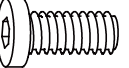


3.



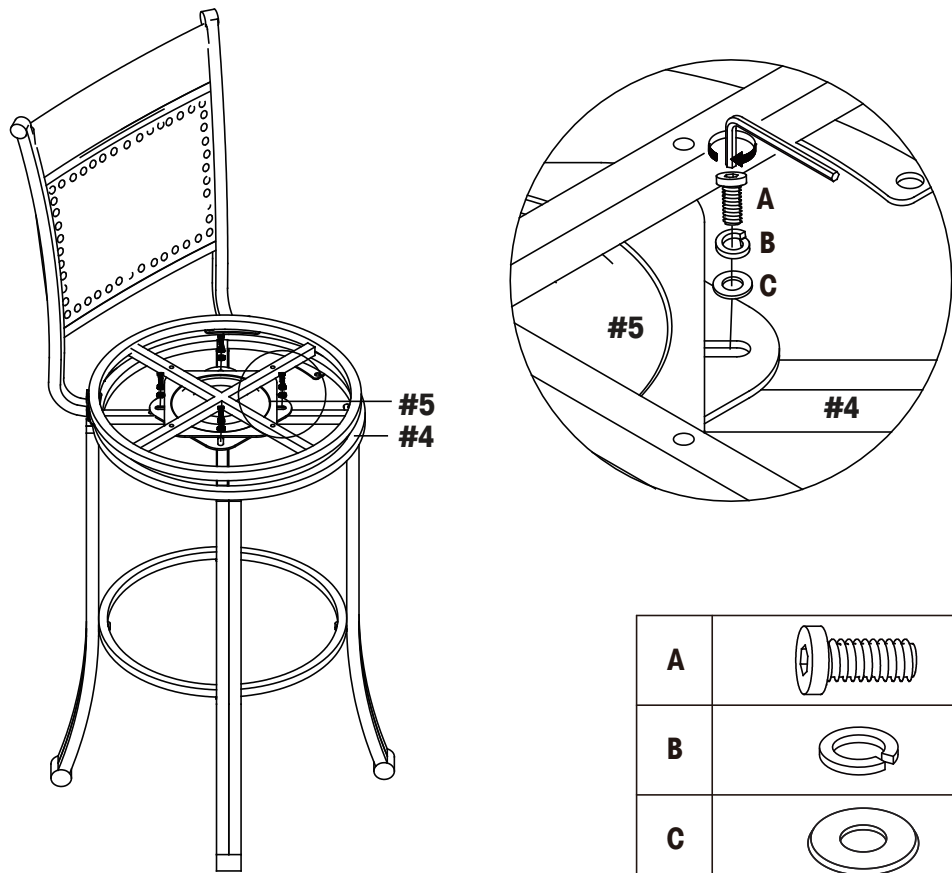
A		08
B		08
C		08

4.



A		04
B		04
C		04

5.



6.

