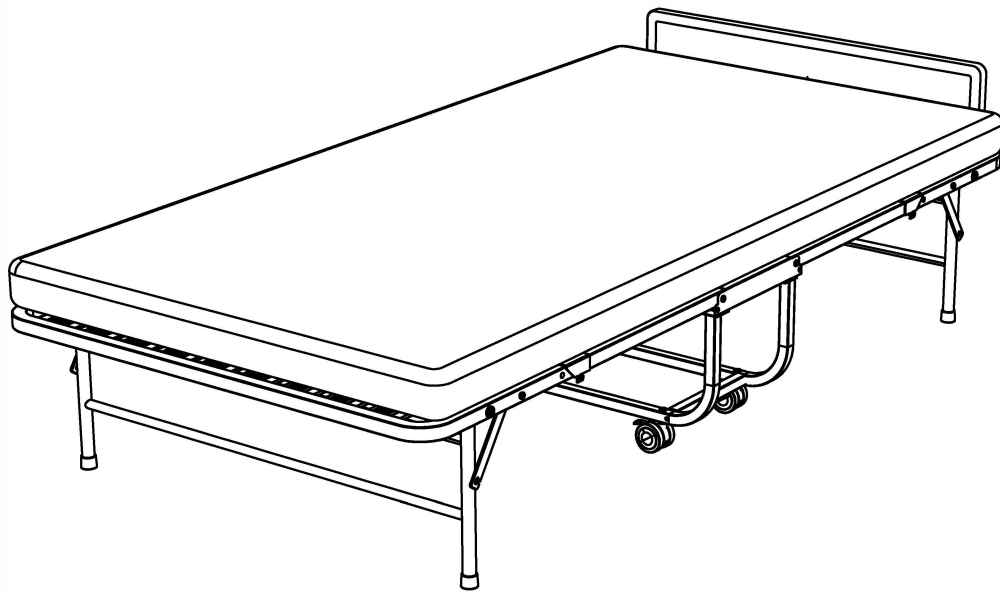
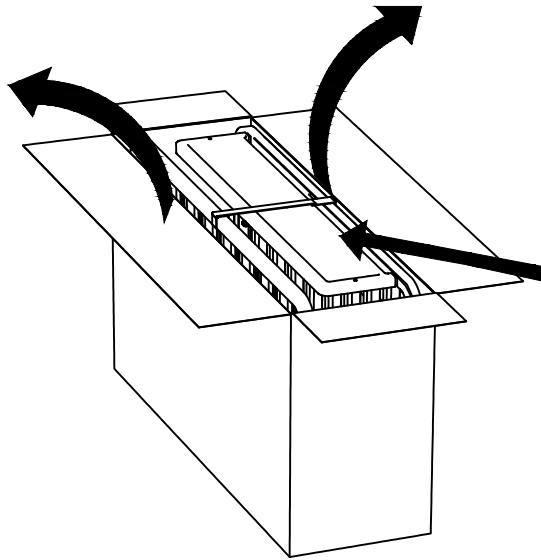


# ASSEMBLY INSTRUCTION

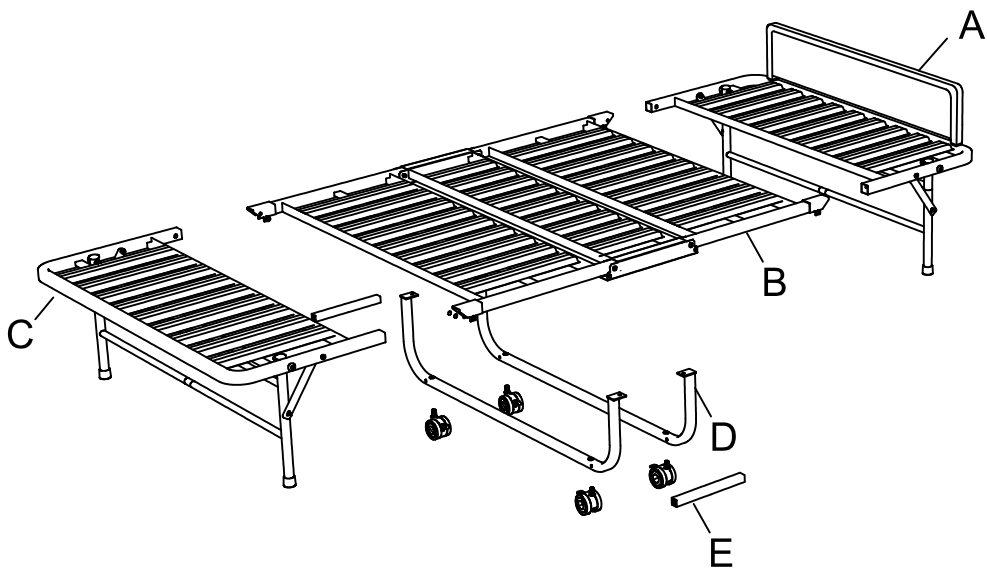
## Folding Bed





TIP :  
Two people are required to  
install the folding bed .

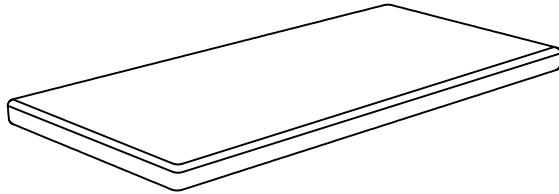
Please do NOT pull the strap .



## Part List

### Mattress

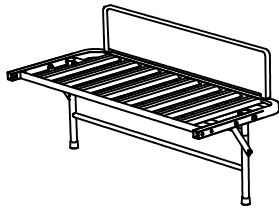
Open packing bag, leave the mattress to expand. Sometimes it only takes a few hours, but other times it can take up to 48 hours to fully expand.



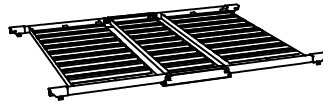
### Mattress recovery schedule

Recovery time	Recovery ratio
1 hour	90%
3 hours	94%
24 hours	97%
48 hours	98%

A × 1



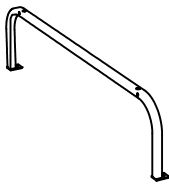
B × 1



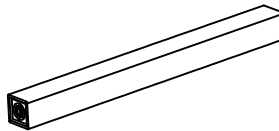
C × 1



D × 2



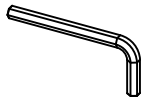
E × 2



① × 4

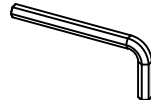


② × 1



4mm Allen Key

③ × 1



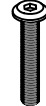
5mm Allen Key

④ × 8



M6x12

⑤ × 4

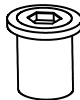


M6x35

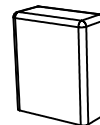
⑥ × 1



⑦ × 4

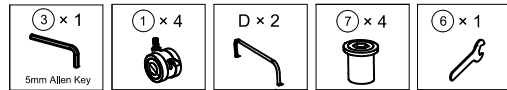
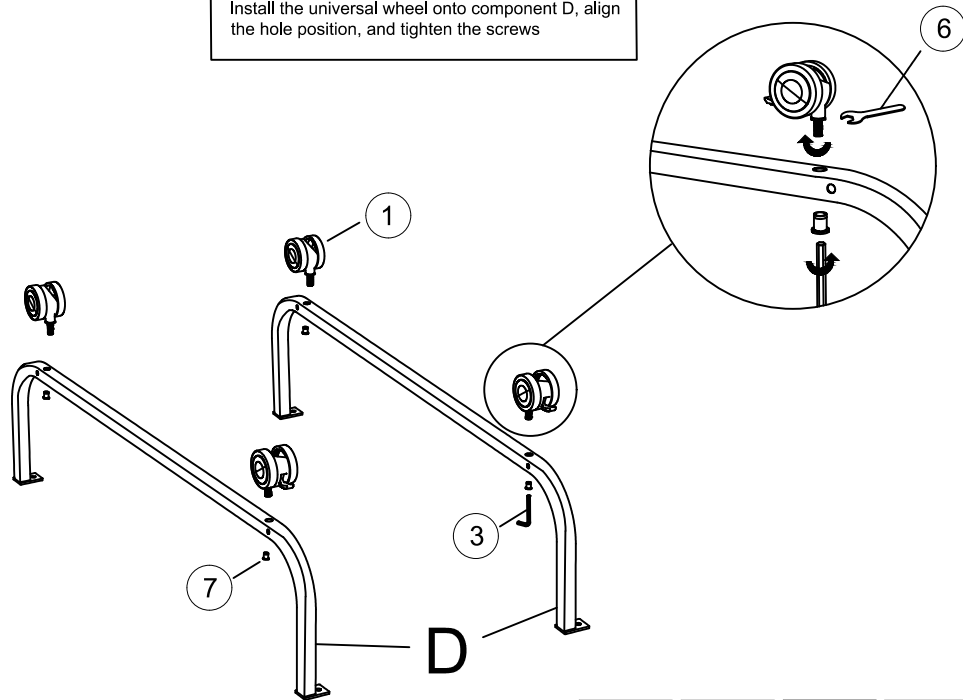


Head diameter 15mm



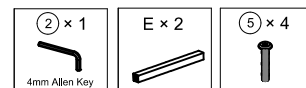
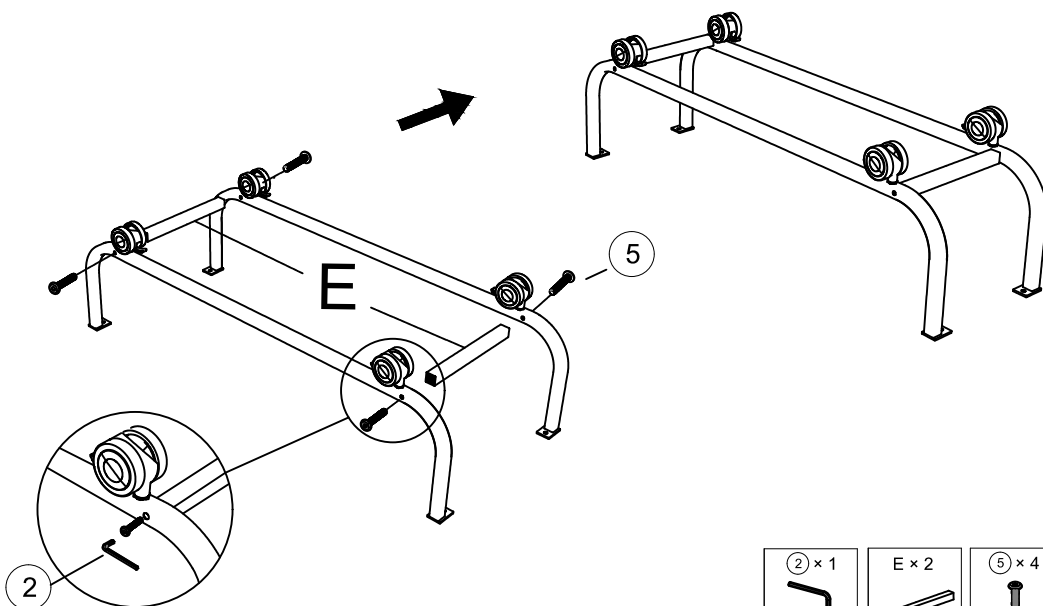
## Step 1

Install the universal wheel onto component D, align the hole position, and tighten the screws



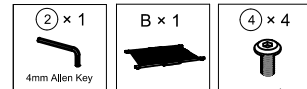
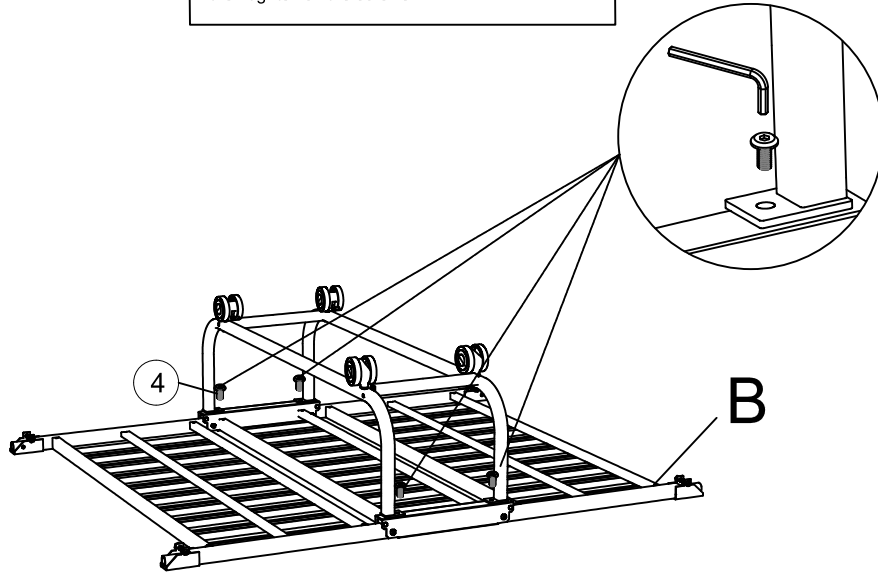
## Step 2

Align the screw on one side with the hole and tighten it. After the installation is complete, proceed to install the other side



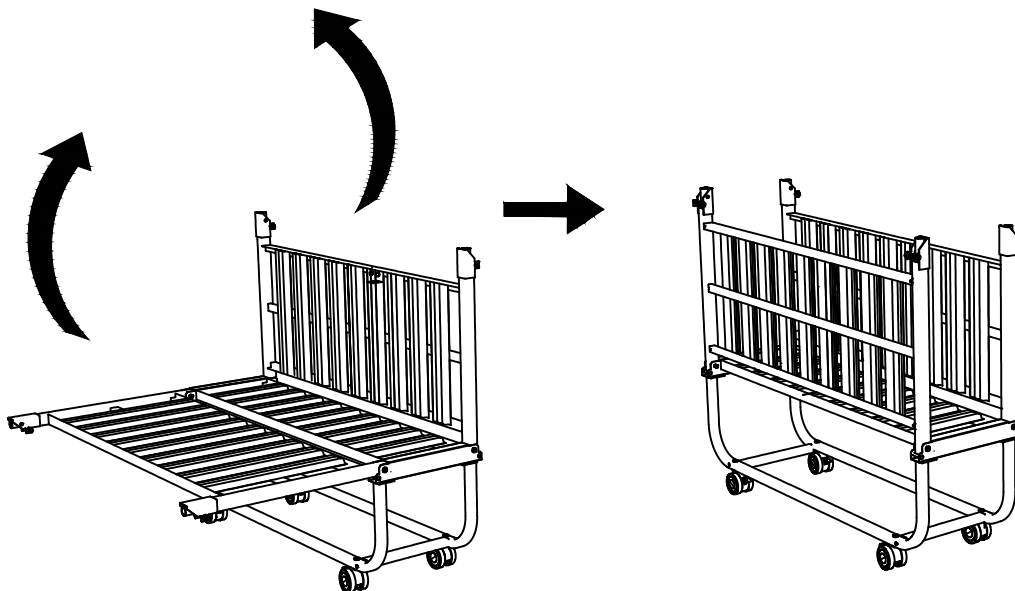
### Step 3

After aligning all of the holes on the frame(Step 3), then tighten all the screws.



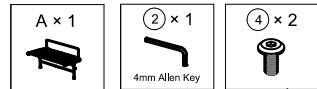
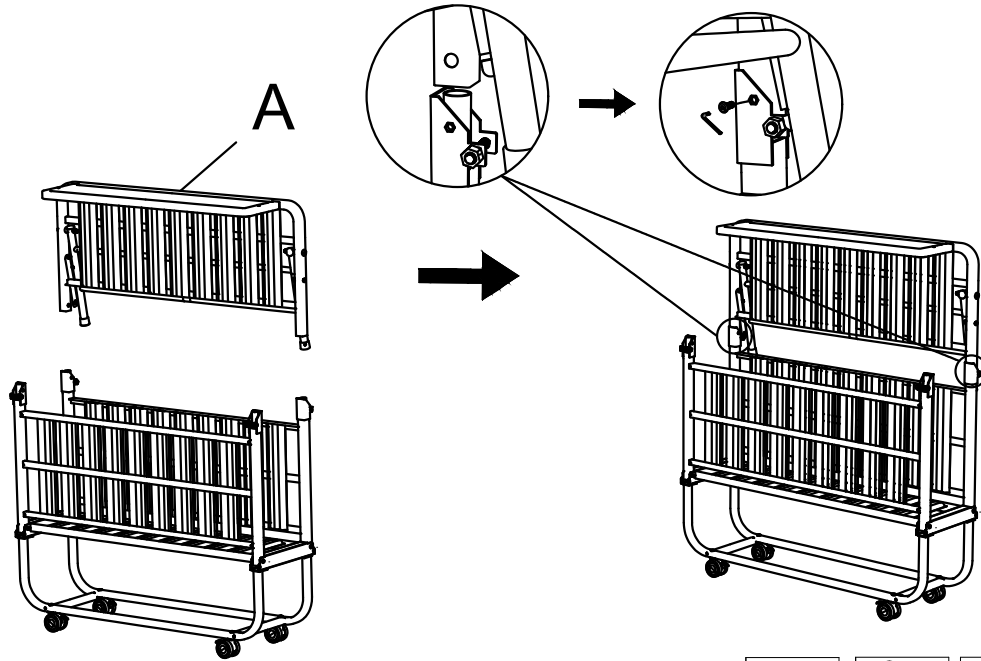
### Step 4

Rotate and flip up both sides of the installed part



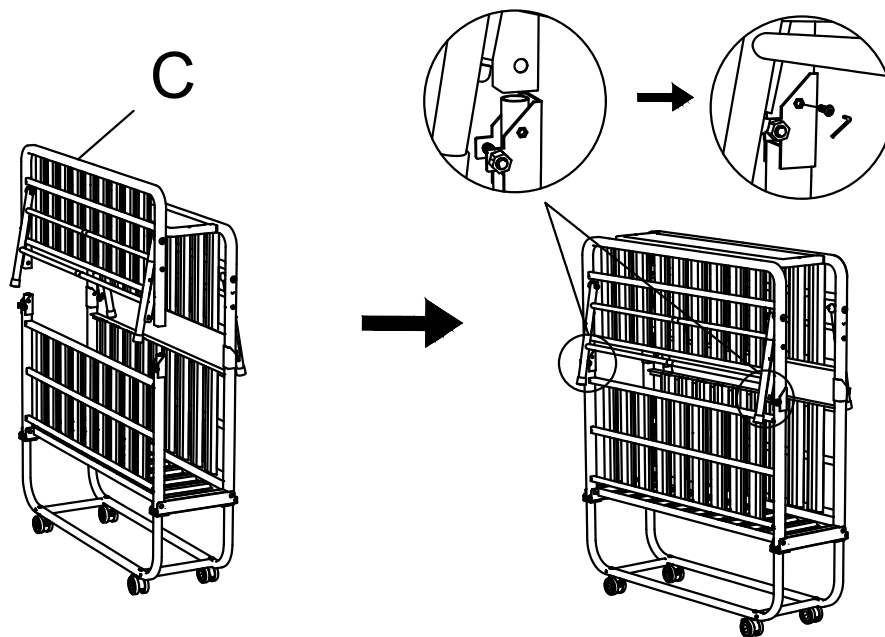
## Step 5

Insert part A into part B, align the hole positions, and tighten the screws

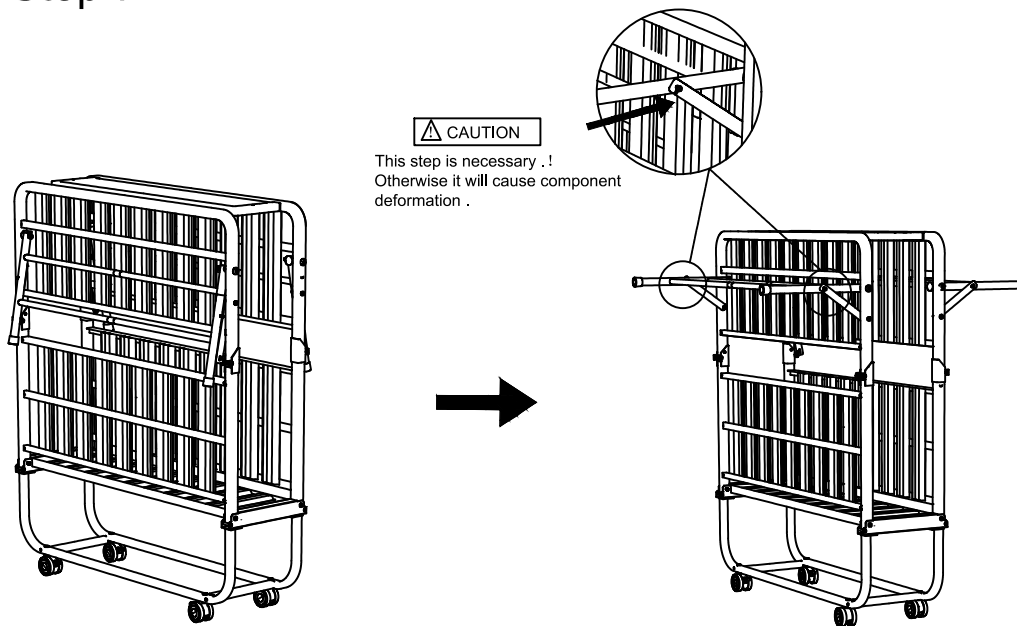


## Step 6

Insert part C into part B, align the hole positions, and tighten the screws

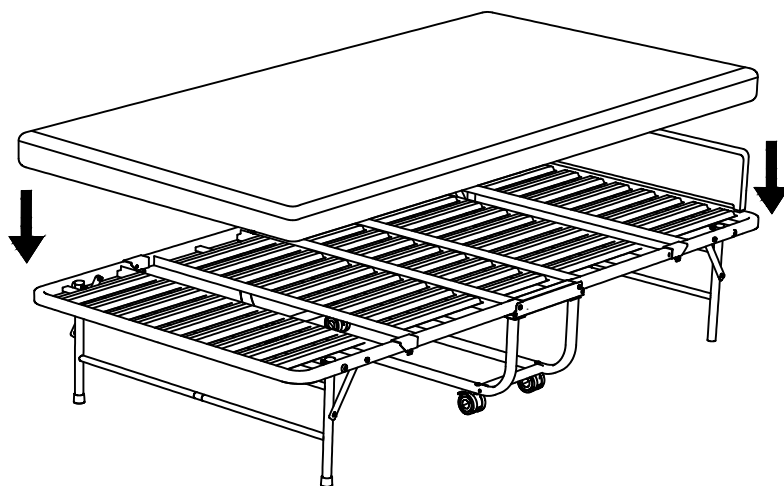


## Step 7



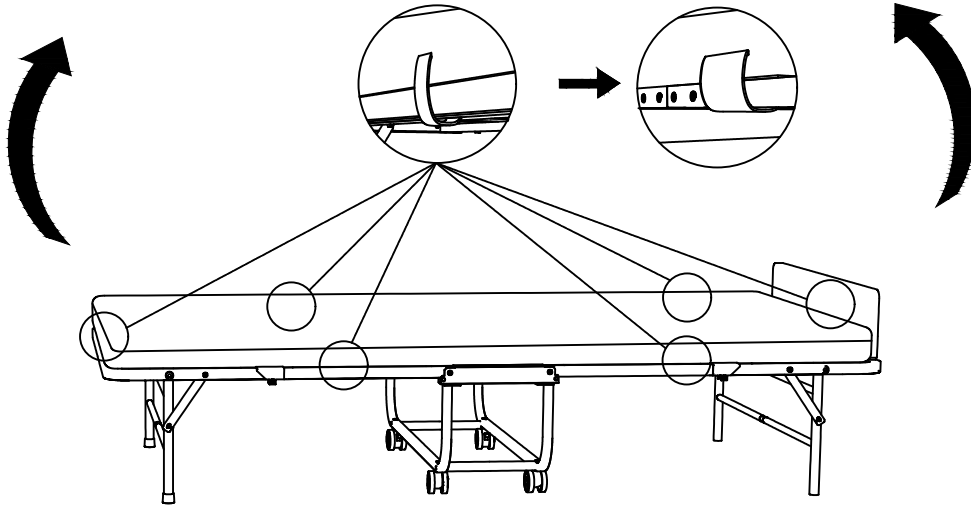
## Step 8

Place the mattress on the already unfolded bed



## Step 9

The two sides, head, and tail of the mattress are secured with magic tape.



## Step 10

When moving the folding bed ,  
please do NOT pull the strap .

