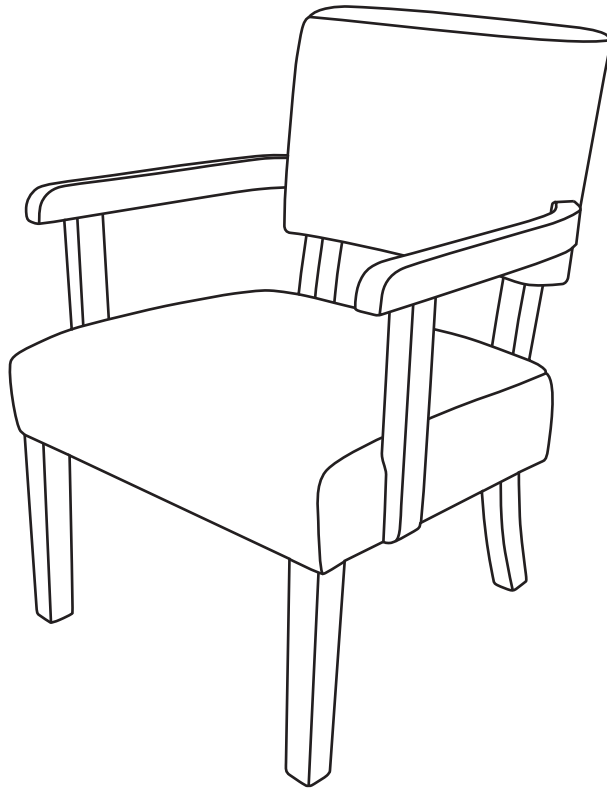


# User Manual

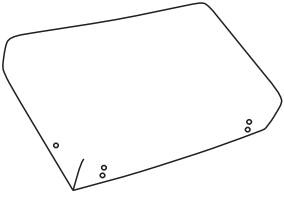
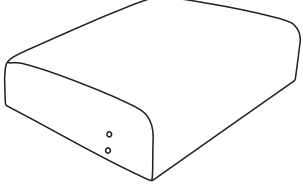





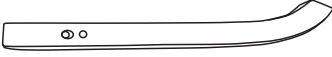

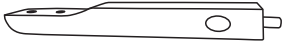
## Accent Chair









# ASSEMBLY INSTRUCTION

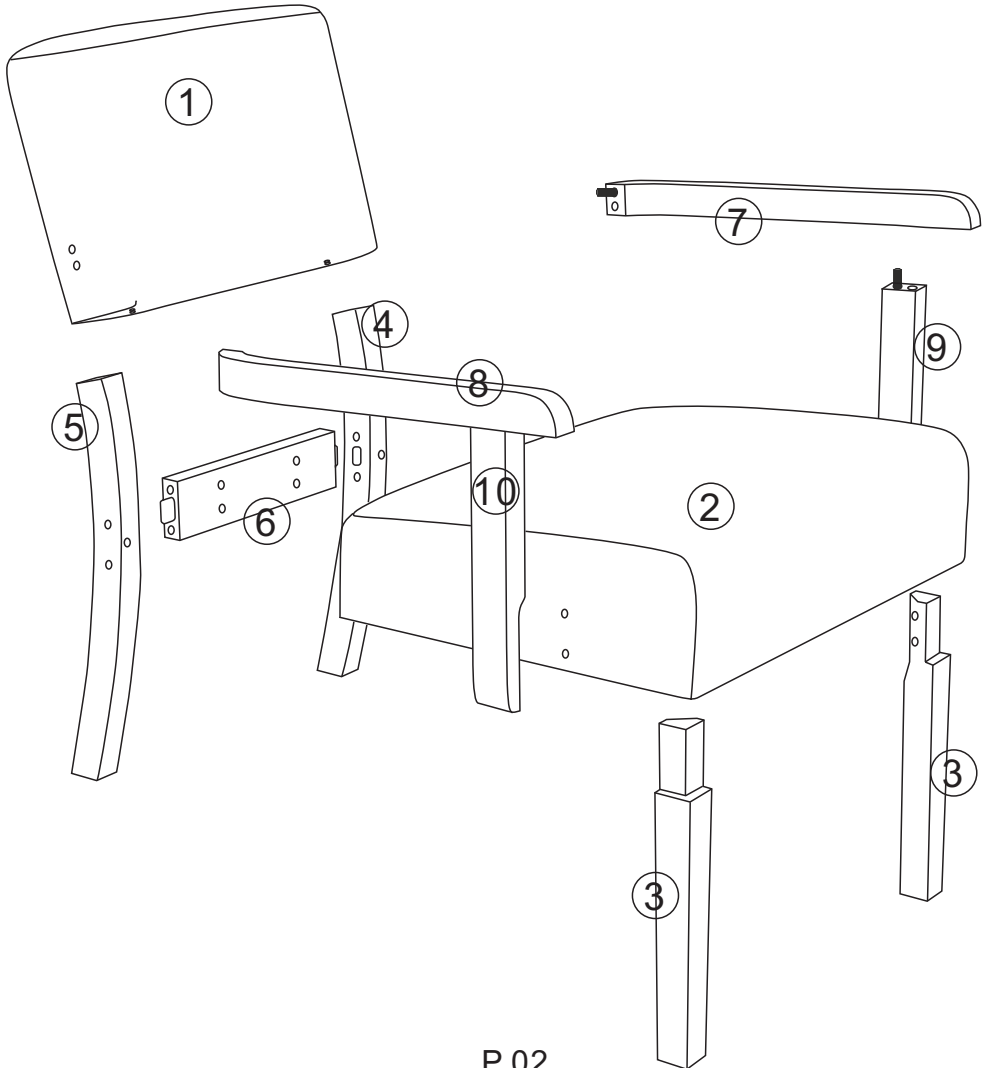
Thank you for purchasing this product. Please take time to read and follow the instructions below. Check that you have all parts and hardware before assembly. Parts apparently missing are often found in the packing materials. If you do not have all the parts listed, have your dealer contact us and they will be sent to you immediately.

## Parts List




Label	Picture	Description	QTY
①		Backrest	1pc
②		Seat	1pc
③		Front foot	2pcs
④		Right back foot	1pc
⑤		Left back foot	1pc
⑥		Cross bar	1pc
⑦		Right arm	1pc
⑧		Left arm	1pc
⑨		Right handrail post	1pc
⑩		Left handrail post	1pc

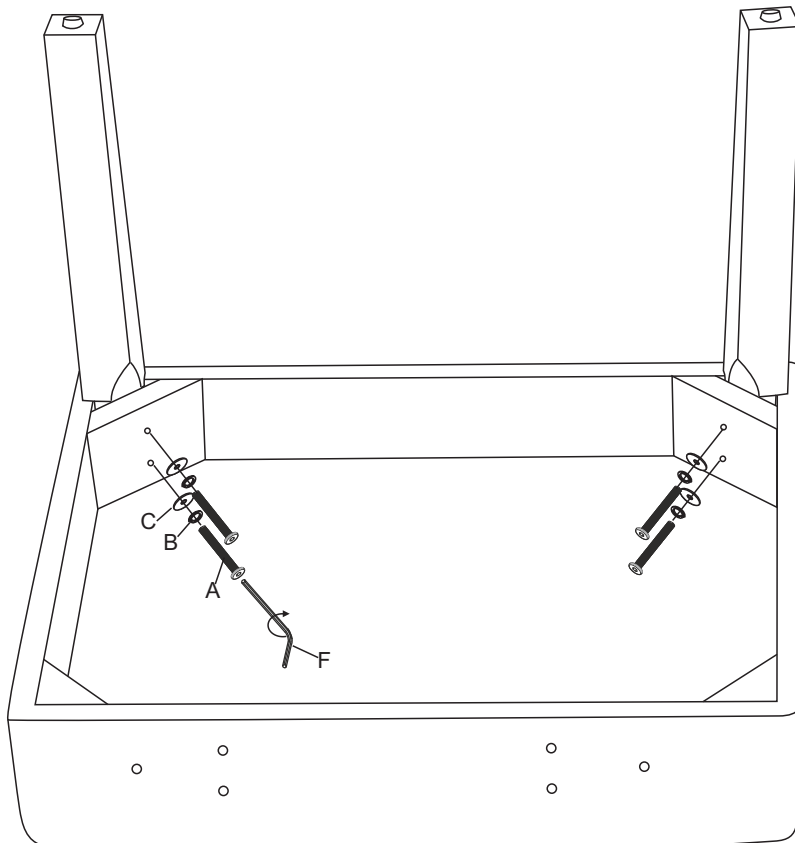
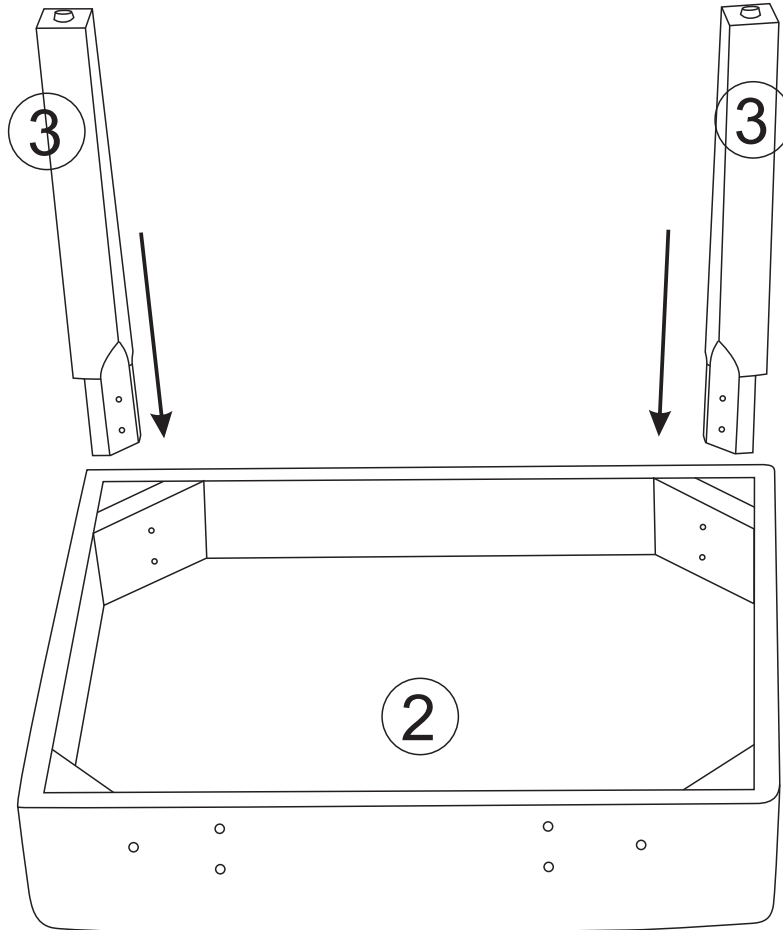
# Hardware

Label	Picture	Description	QTY
A		Bolt 5/16*45mm	26+1pcs
B		Spring Washer	20+1pcs
C		Washer	20+1pcs
D		Wood Dowel	2+1pcs
E		Rubber plug	4+1pcs
F		Allen Key	1pc



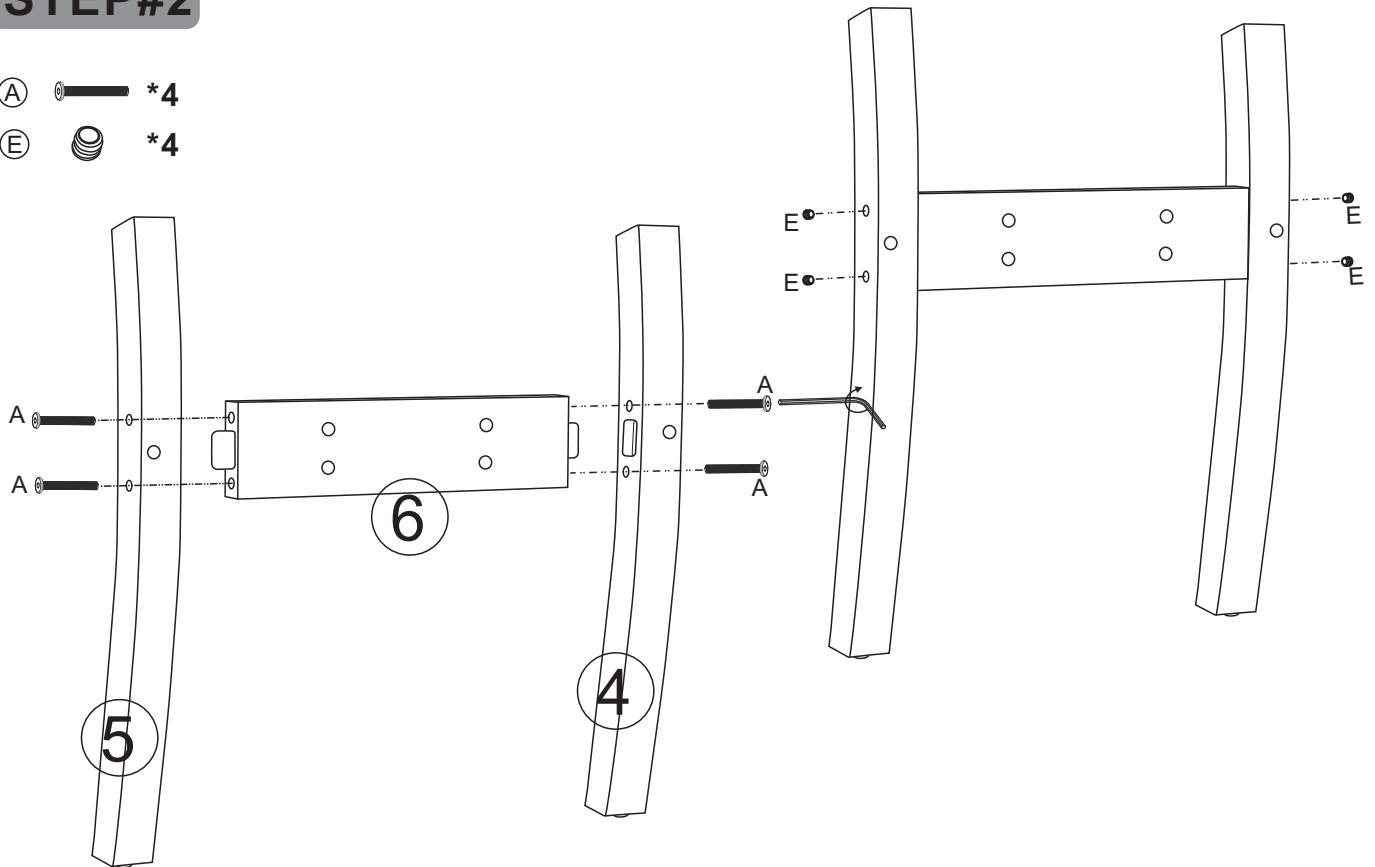
# STEP#1

- (A)  \*4
- (B)  \*4
- (C)  \*4






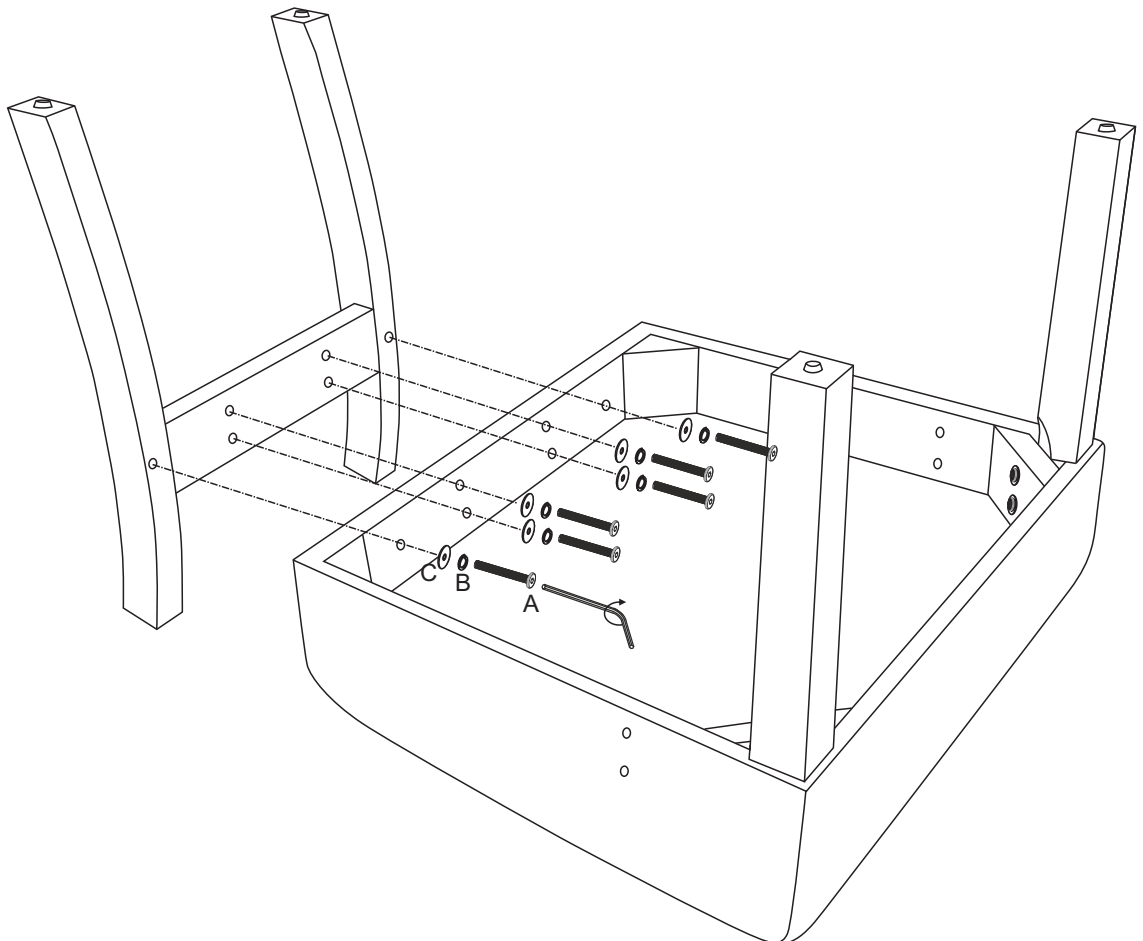
## STEP#2

- (A)  \*4
- (E)  \*4






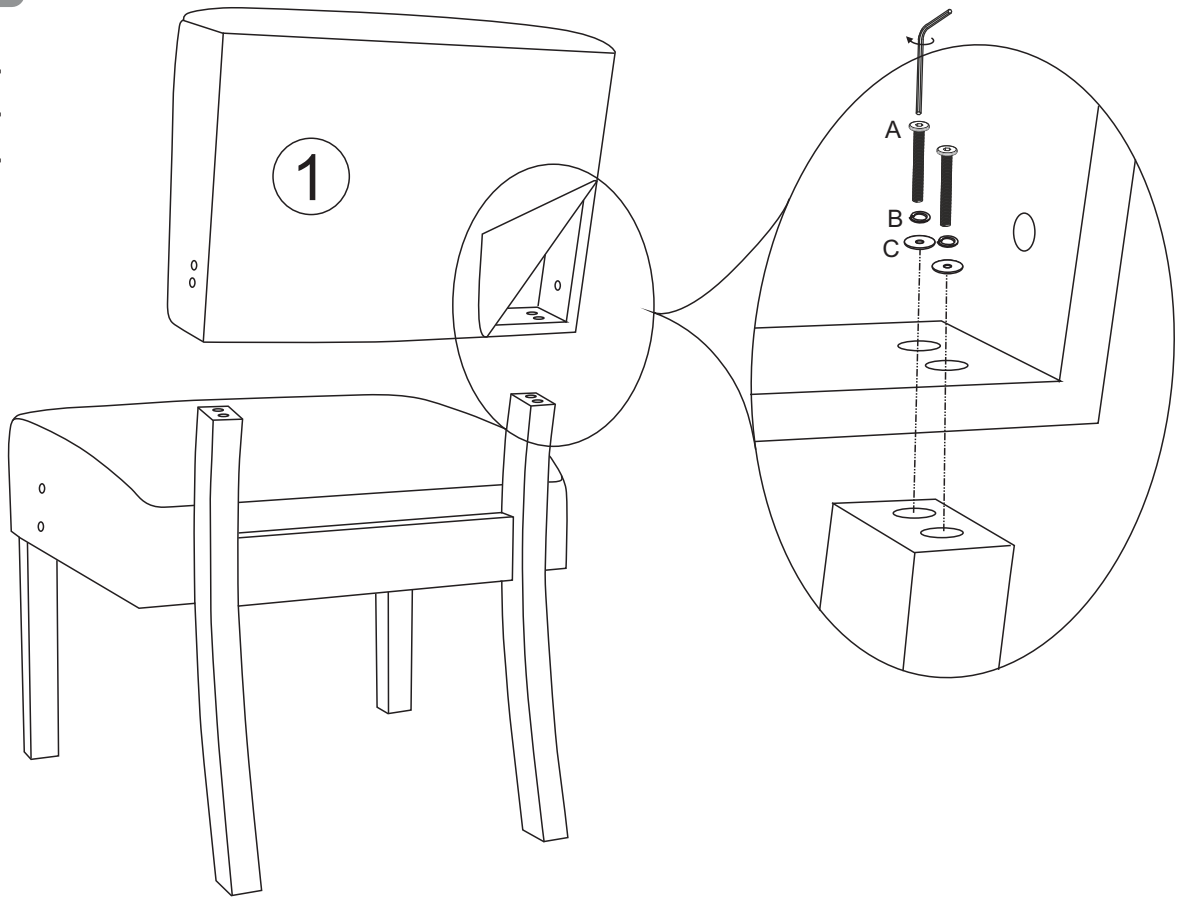
## STEP#3

- (A)  \*6
- (B)  \*6
- (C)  \*6







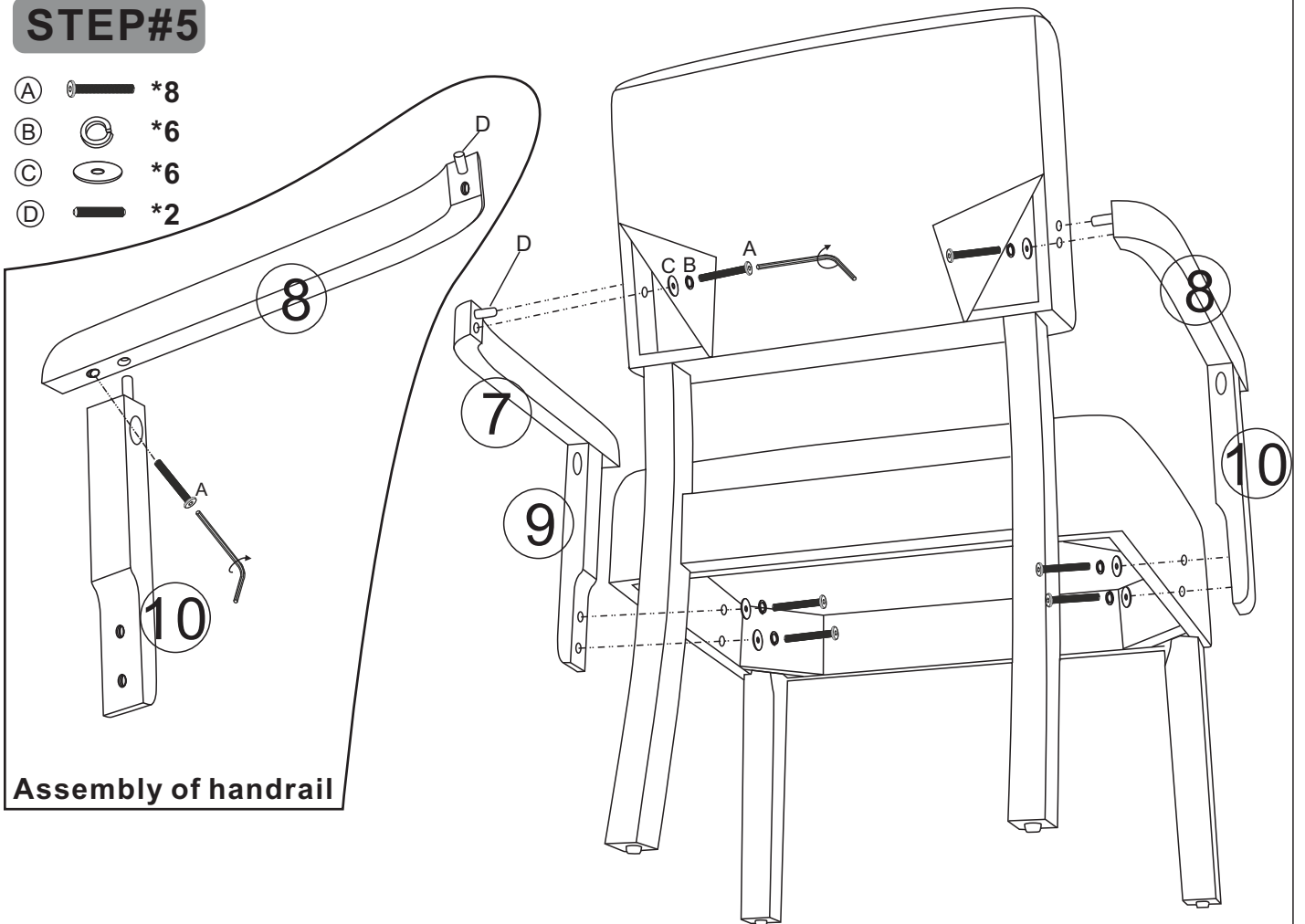
# STEP#4

- (A)  \*4
- (B)  \*4
- (C)  \*4



# STEP#5

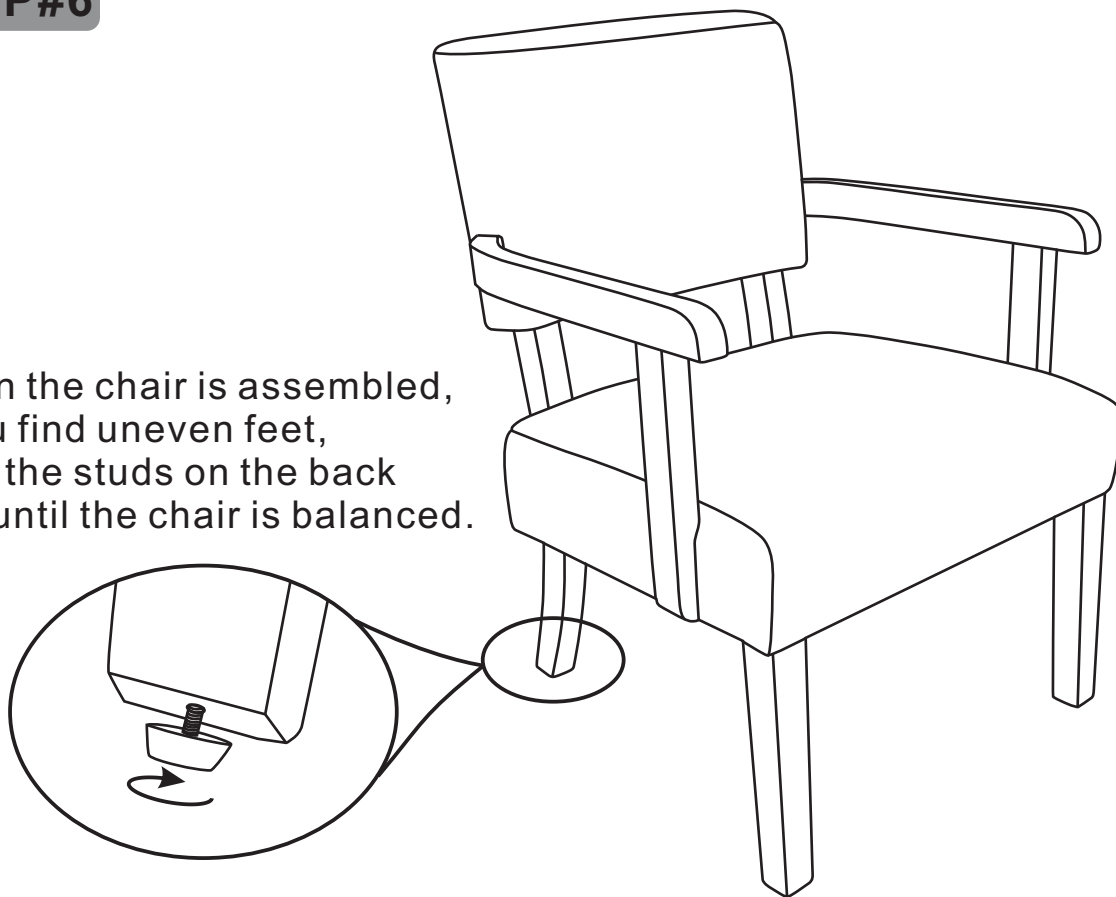
- (A)  \*8
- (B)  \*6
- (C)  \*6
- (D)  \*2



Assembly of handrail

## STEP#6

When the chair is assembled, if you find uneven feet, twist the studs on the back feet until the chair is balanced.



# WARRANTY CARD

## Your warranty includes

- **30 Days Money Back Guaranty**

Within the first 30 days of your purchase, you are allowed to return your product for a full refund.

- **30 Days to 3 Months(6 Months)**

We will replace the defective unit due to manufacturer fault with a new one. (You will receive extra 3 Months warranty if you register on our website.)

- **3 Months to 24 Months**

Within 24 Months, we will provide timely and effective online after-sales service after your purchase.

## How to return your Products

- Contact with your order number.
- We will issue you RMA # and return address for your return.
- Please fill out RMA info, tear off this page and leave it inside your return package.
- We will issue replace / return after receiving your return.

## Return product details

To get your returns processed as quickly as possible, please fill this form and include it in your return package.

Purchase Name	
Order Number	
Date of Purchase	
Your Email Address	
Where did you buy it	

**MADE IN CHINA**

