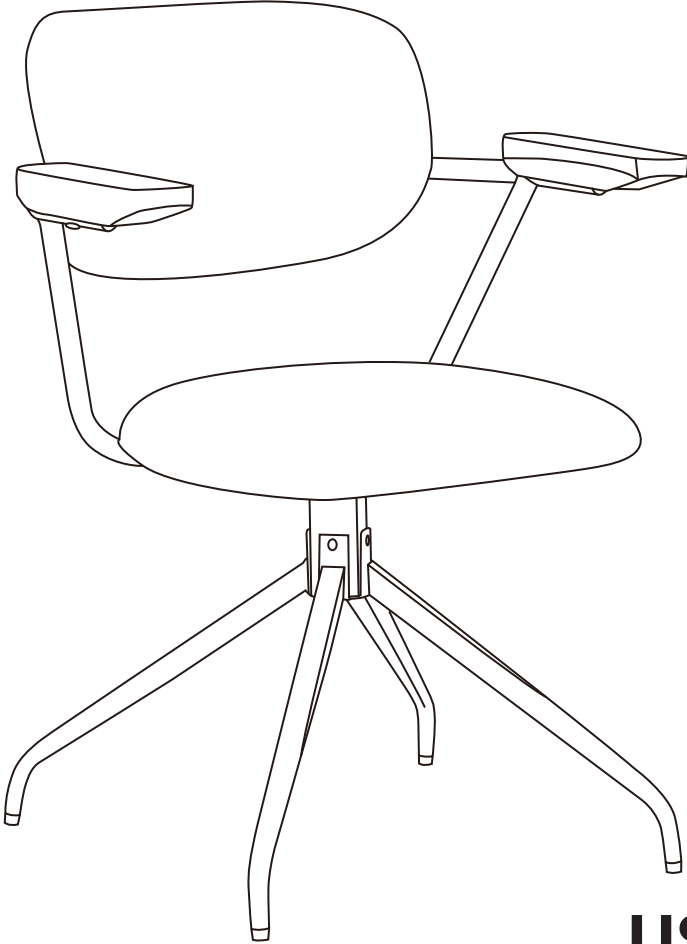


Designed for your house, a New Living Style.



USER MANUAL
Dining Chairs

Welcome to visit our store and purchase our quality products!

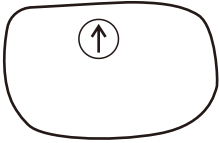
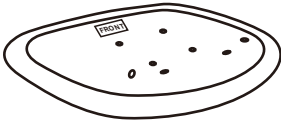

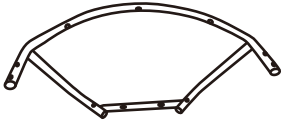


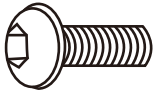
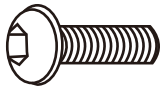
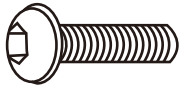

- Our **Computer Desks, Side Tables, Garment Racks, Cabinets, Chairs, Bar Stools, Sofas, Ottomans, Bookshelves and Living Room Sets, etc**, all of which are geared towards addressing various tastes and budgets.
- It is our sincere hope that our furniture items could be acting as helpful companions in your life and work. We attach great importance to customer experience and promise to serve each consumer wholeheartedly by bringing them as much value as possible; whenever you are running into any problems while assembling or using our furniture items, please touch base with us, our Customer Service team is available to provide necessary assistance to address your needs and concerns.
- Thank you for your purchase, we are committed to providing you with high value and superior quality products characterized by sturdy build, user-friendly design and reasonable pricing.

Attention:

- Extra hardware parts and foot pads are provided for the purpose of possible repair or replacement in the future.
- In the process of assembly, be sure to keep all small parts in the package out of reach of babies and children, which pose a choking hazard if swallowed or inhaled; keep the packaging materials (film, plastic bags, foam, etc.) away from babies and children to avoid potential dangers of suffocation.
- Do not fully tighten any screw until all screws are aligned with their corresponding holes.
- Two persons are required for the assembly; for the purpose of a time-saving and hassle-free assembly, please act in compliance with the step-by-step instructions.
- The seller bears no responsibility and/or liability for any personal injury and/or property damage arising from improper use or incorrect assembly .
- During the assembly, please be wary of sharp corners of the wooden panel or the metal frame, it is commended to wear a pair of gloves when you come into contact with these parts.
- Any unauthorized modification to this item will void its warranty.

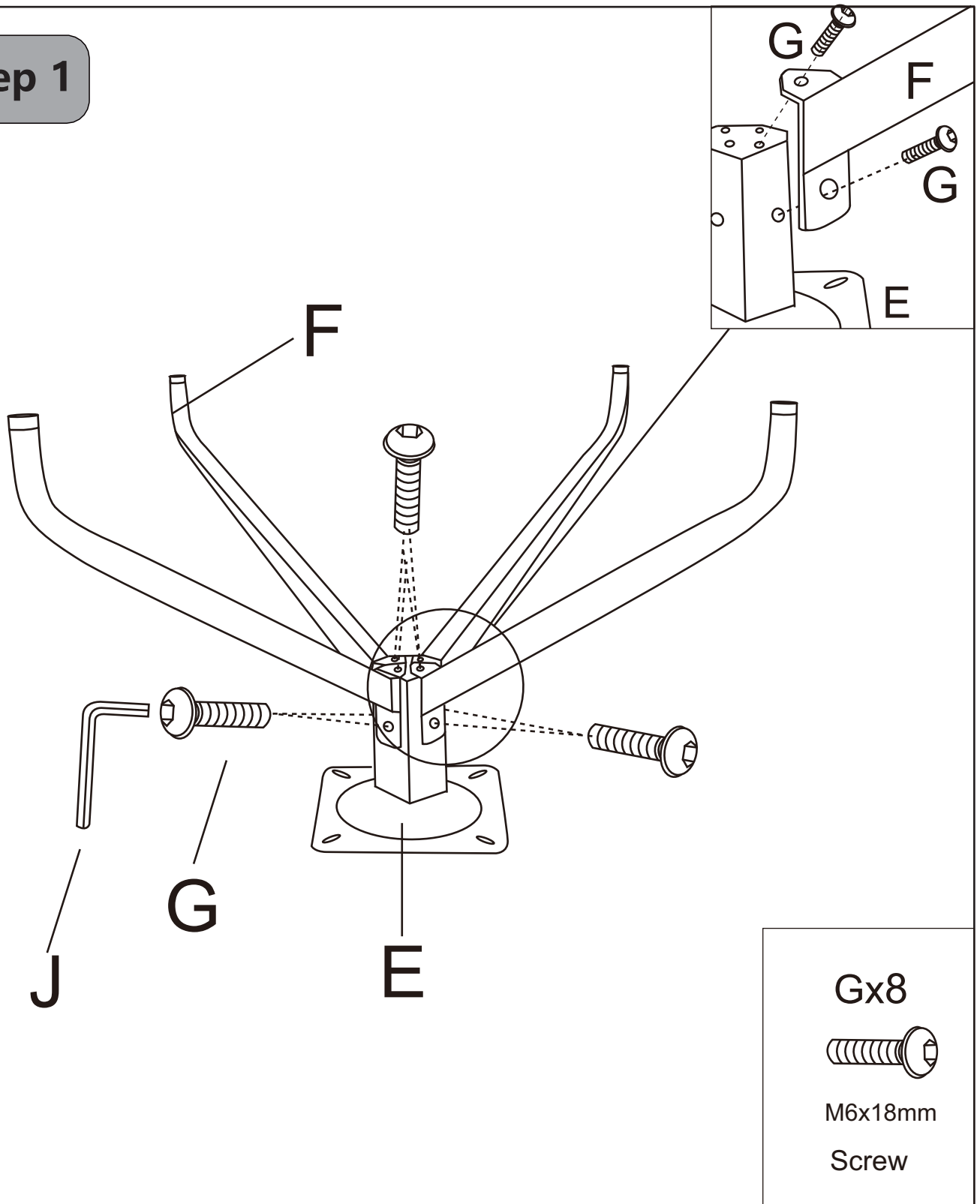
Parts List

Prior to assembly, check to see if all parts and hardware are included as follows, should any part be found missing or defective, please reach out to our customer service for further assistance.

<p>Ax1</p>  <p>Seat</p>	<p>Bx1</p>  <p>Back</p>	<p>Cx2</p>  <p>Armrest</p>
<p>Dx1</p>  <p>Back Frame</p>	<p>Ex1</p>  <p>Swivel Plate</p>	<p>Fx4</p>  <p>Leg</p>
<p>Gx14+1</p>  <p>M6x18mm Screw</p>	<p>Hx3+1</p>  <p>M6x35mm Screw</p>	<p>Ix6+1</p>  <p>M6x40mm Screw</p>
<p>Jx1</p>  <p>Allen Wrench</p>		

Assembly Steps

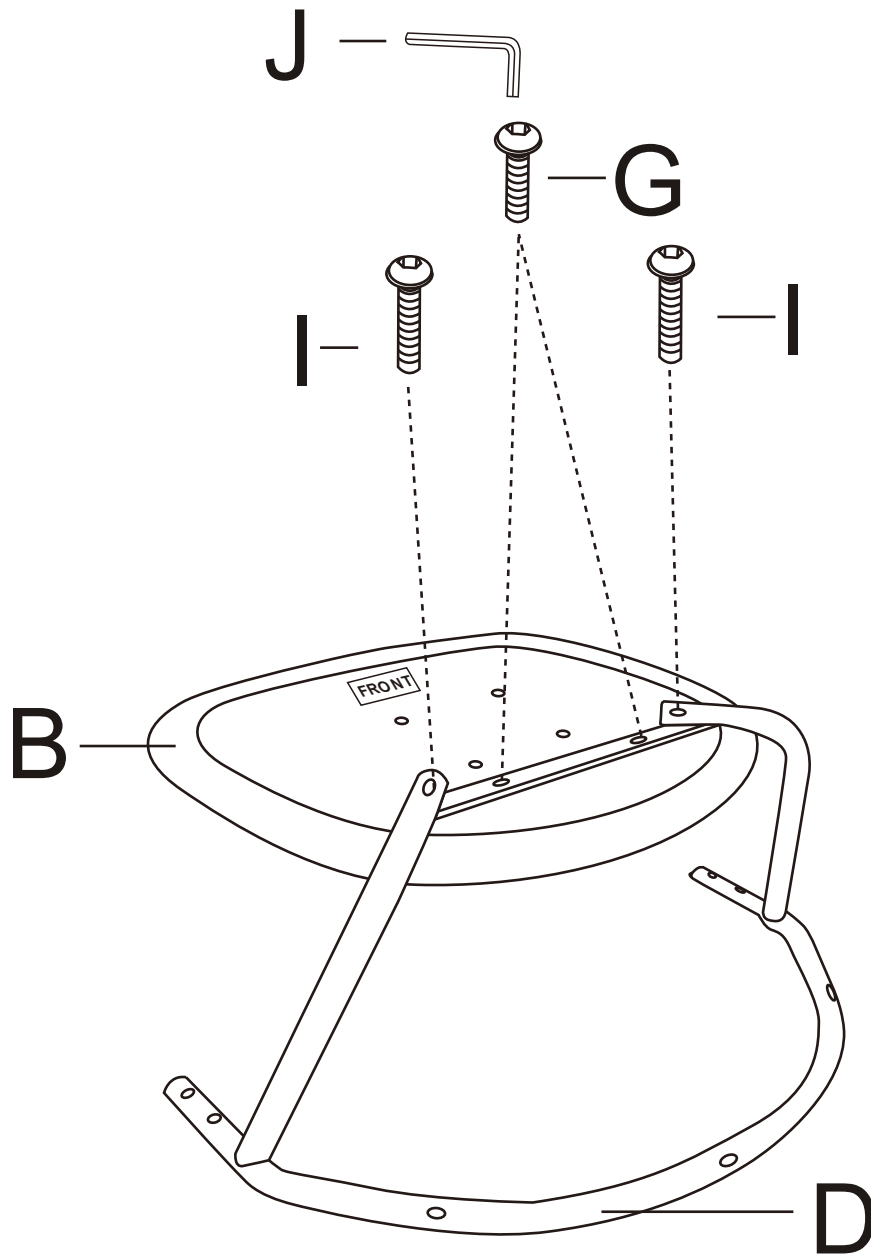
Step 1



- Attach Legs F to Swivel Plate E .Align the holes on Legs F with the holes on Swivel Plate E, Tighten all the screws G by using Allen Wrench J.

Assembly Steps

Step 2



Ix2



M6x40mm
Screw

Gx2

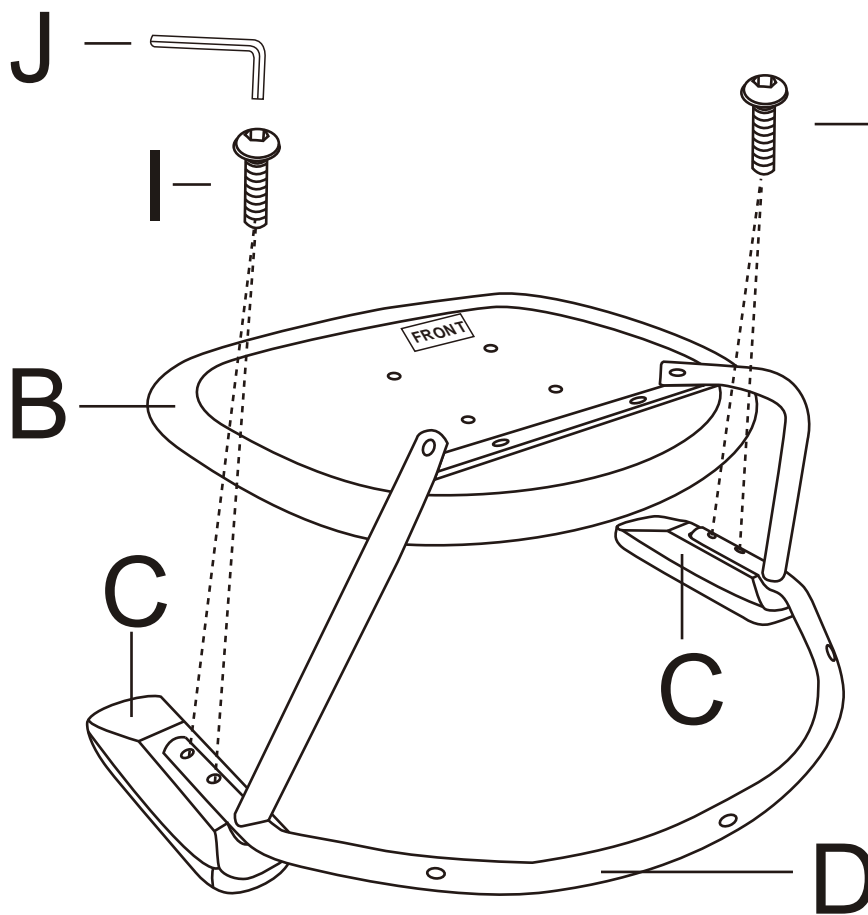


M6x18mm
Screw

- Attach Back frame D to Seat B. Align the holes on Back Frame D with the holes on back of Seat B. Tighten all the Screws I & G by using Allen Wrench J.

Assembly Steps

Step 3



Ix4



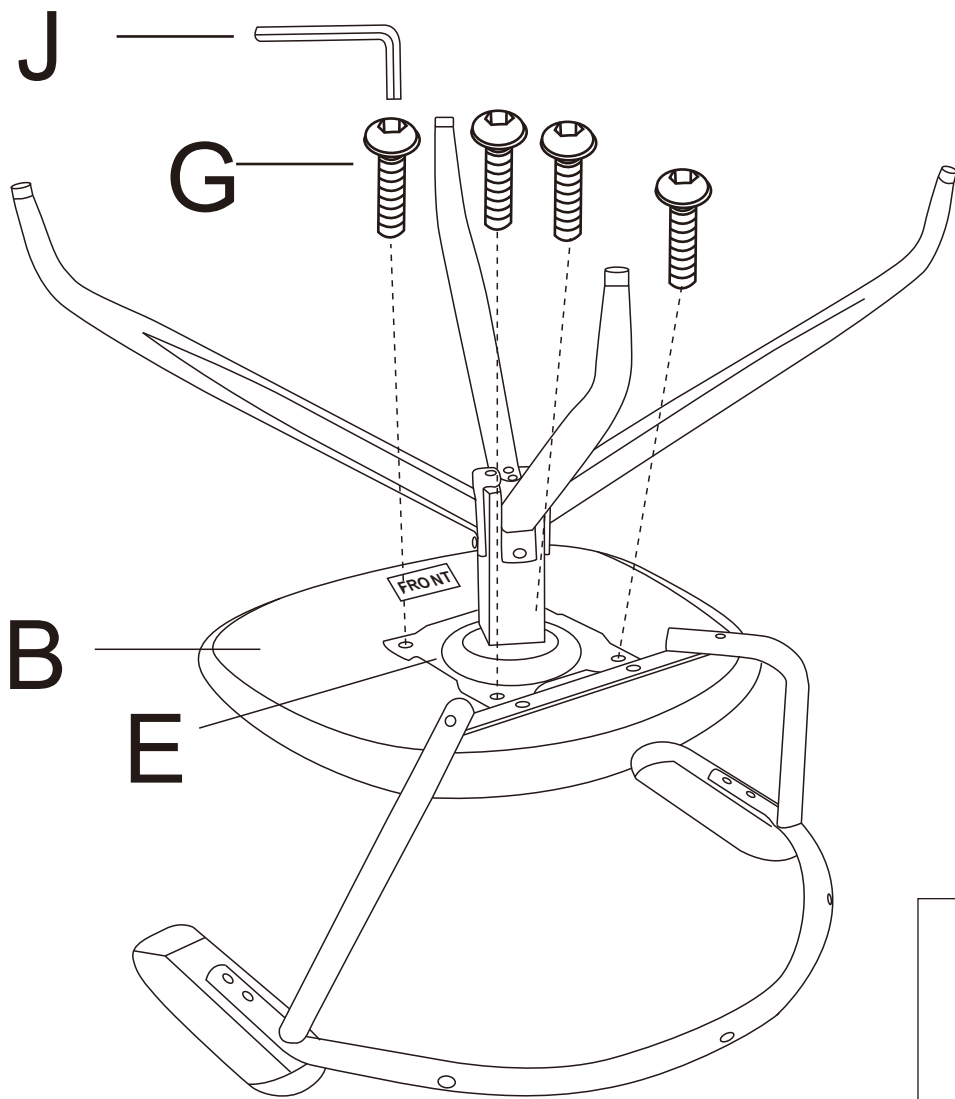
M6x40mm

Screw

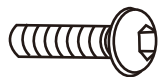
- Attach Armrest C to Back Frame D. Align the holes on Armrest C with the holes on Back Frame D. Tighten all the Screws I by using Allen Wrench J.

Assembly Steps

Step 4



Gx4



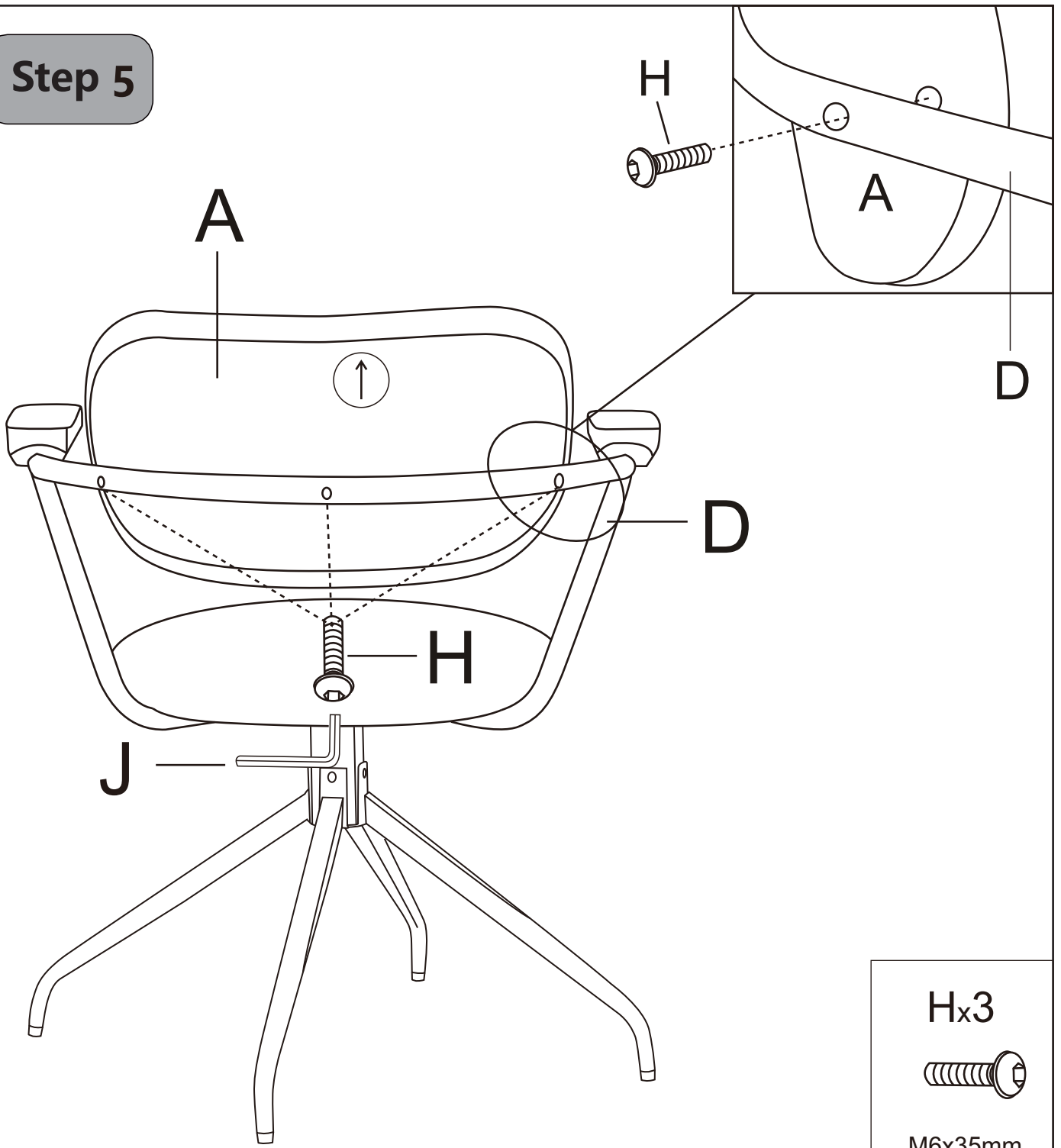
M6x18mm

Screw

- Attach Swivel Plate E to Seat B. Align the holes on the Swivel Plate E with the holes on seat back. Tighten all the Screws G by using Allen Wrench J.

Assembly Steps

Step 5



Hx3



M6x35mm

Screw

- Attach Back A to Back Frame D. Align the hole on Back A with the holes on Back Frame D. Tighten all the Screws H by using Alle Wrench J.

Assembly Steps

Step 6

Full Assembly

