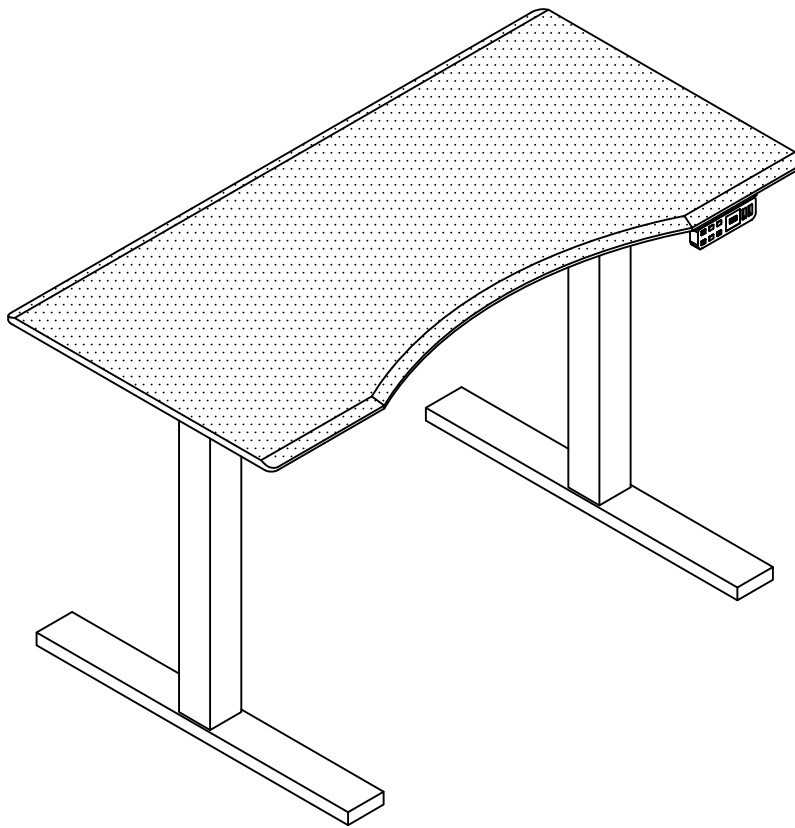


Assembly Instructions



ASSEMBLY RATING

The Assembly Rating is a 5-point system that shows the degree of effort needed in assembling a specific product (with 1 being easy and 5 being difficult). For some products, two persons are recommended.

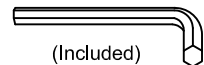
EASY



DIFFICULT

Tools Required For Assembly:

Allen Wrench



(Included)

Wrench

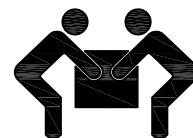


(Included)

Phillips Screwdriver



(Not Included)

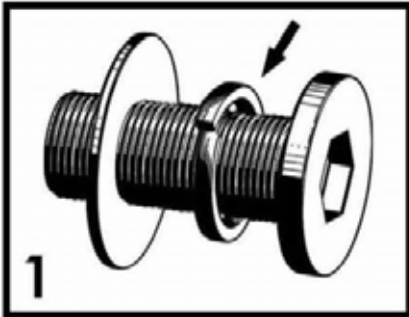


2 PERSONS RECOMMENDED

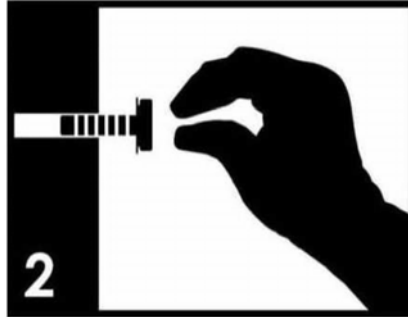
ASSEMBLY & CARE ADVICE

FOR YOUR FURNITURE TO LAST, CORRECT ASSEMBLY AND PROPER MAINTENANCE ARE NECESSARY. PLEASE FOLLOW THE INFORMATION PROVIDED BELOW TO FULLY ENJOY YOUR FURNITURE.

BASIC ASSEMBLY TECHNIQUES



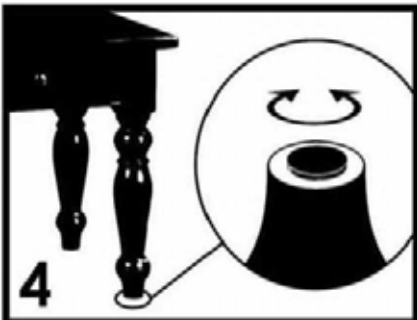
When lock or spring washer is used in an assembly, please make sure the lock or spring washer is placed between the larger flat washer and the head of the screw or bolt.



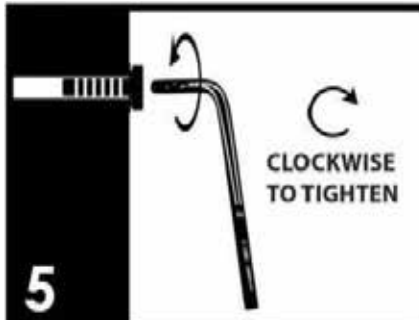
Position each part correctly and insert screws or bolts into their respective holes by hand tighten or using the proper hand tool. Only tighten when step is completed or when instructed to do so.



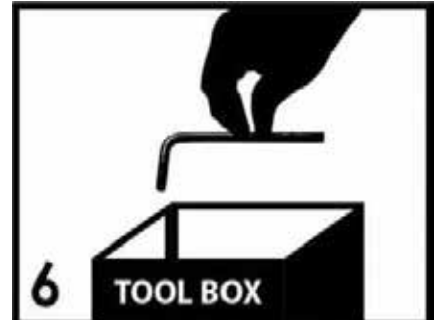
Use cardboard or carpet area when assembling furniture to prevent scratches. Make sure the furniture rests on a flat and level surface with each leg evenly touching the floor.



Some furniture comes with height adjustment knobs underneath each leg. To lower or to raise each leg, you need to turn clockwise or counterclockwise, respectively.

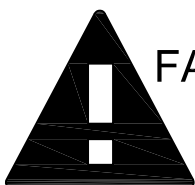


Make sure all parts are properly aligned, then use the appropriate hand tool to completely tighten the bolts or screws. Do not use power tools and do not overtighten.



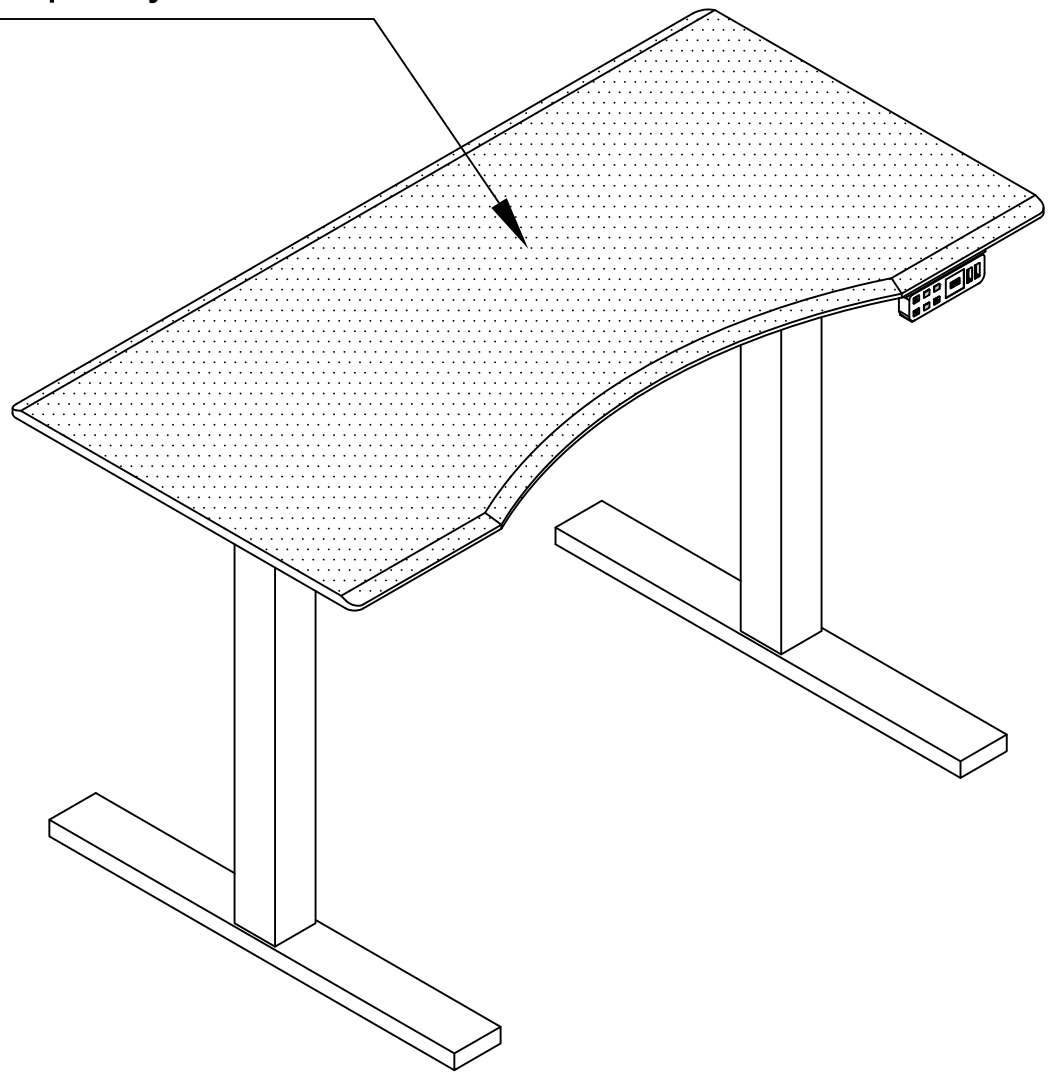
Save the instructions and store the Allen wrench or any supplied tool for later maintenance. After two weeks, check and tighten any loose hardware and repeat again every six months thereafter.

IT IS THE USER'S RESPONSIBILITY TO MAINTAIN THE FURNITURE. THE HARDWARE MAY LOOSEN OVER TIME AND MAY CAUSE THE FURNITURE TO BE WOBBLY AND UNABLE TO SUPPORT ITS INTENDED WEIGHT CAPACITY. THIS MAY LEAD TO COLLAPSE AND MAY CAUSE SERIOUS INJURY.



FAILURE TO FOLLOW THE GUIDELINES ABOVE MAY RESULT IN INJURY AND/OR PROPERTY DAMAGE.

Weight capacity 150 LBS



GL2 Series

Assembly Instruction:



Warning

Please read the assembly Instructions carefully before starting to assemble.

Tighten all screws before use. Ensure cables move smoothly.

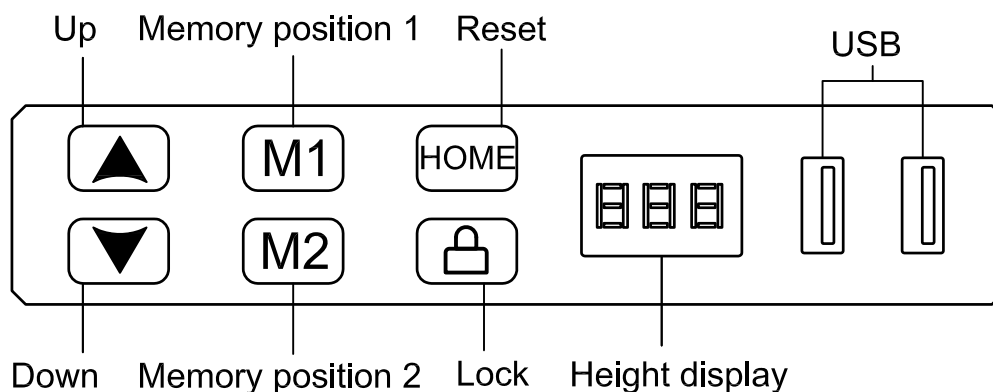
Properly connect the electrical plug to the socket.

Inappropriate use can cause damage to the products.

Don't lay beneath the table, sit or stand on the table top.

User Manual

Panel description



Operation:

- Plug in, display lights up and shows height of the table. If there is no other operation, the display will light off in 10 seconds. Press any button to light up the display again.
- Press ▲ to let the table go up.
- Press ▼ to let the table go down.
- 🔒 Long press(>3S) to lock the equipment. 🔒 light red, display light off and all buttons except 🔒 won't react to operation. Long press again to unlock.
- 🔒 Press(<1S) to set memory position. Press 🔒, the number on display flashes, then press M1 to memory the table height as Memory position 1. The kit will make a sound "Di" if memory successfully.
- M1 Press(<1S) to check the height of the memory position 1. The display show the memory height 1 in a short while.
- M1 Long press (>1S) to let the table go up/down to the memory position 1. When M1 is pressed, the display shows the memory height 1. As soon as M1 is released, the display shows the real-time height and the table continue going up/down to the memory position 1. Press any button to stop the table going up/down.
- M2 Press(<1S) to check the height of the memory position 2. The display show the memory height 2 in a short while.
- Long press (>1S) to let the table go up/down to the memory position 2. When M2 is pressed, the display shows the memory height 2. As soon as M2 is released, the display shows the real-time height and the table continue going up/down to the memory position 2. Press any button to stop the table going up/down.
- HOME Long press(>1S) to reset. The display shows HOME and the table begin to go down until come to the lowest height.
- Rated USB current: total 2.1A

Frequently Asked Questions

- If the device doesn't work correctly, the issue code will show on the screen. The following methods could be tried before contacting after-sale stuff.

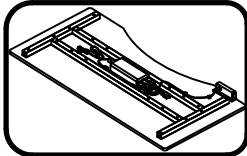
ISSUE CODE	CAUSE	METHOD
E01/E02	Control box crashes.	Press HOME to reset; If it doesn't work, then the control box may need to be replaced.
E03/E04	One of the actuators doesn't work correctly.	Press HOME and hold it until the E03/E04 disappears; If it doesn't work, then try disconnecting & connecting all jacks.
E05	Both actuators are not installed correctly.	Disconnect & connecting all jacks and try it again.
E06/E07	Current overload.	Press HOME to reset.
E00	Other reasons.	Press HOME and hold it until E00 disappears.



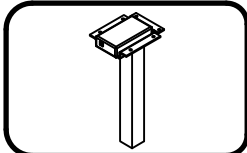
Before you begin, please read Page 2 of "Assembly and Care Advice".

And remember, do not tighten until each step is completed or instructed.

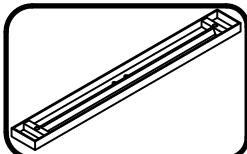
Parts List



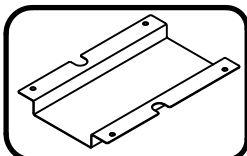
#1 x 1pc
Desk top



#2 x 2pcs
Support leg

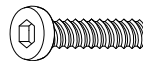


#3 x 2pcs
Bottom tube

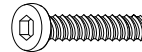


#4 x 2pcs
Metal plate cover

Hardware List



#A x 12pcs
BOLT 1/4"x 3/4"



#B x 8pcs
BOLT 5/16"x7/8"



#C x 8pcs
BOLT 3/16"x1/2"



#D x 12pcs
WASHER ϕ 16mm



#E x 8pcs
WASHER ϕ 18mm



#F x 1pc
ALLEN WRENCH 4 X 4mm






#G x 1pc
ALLEN WRENCH 5 X 5mm

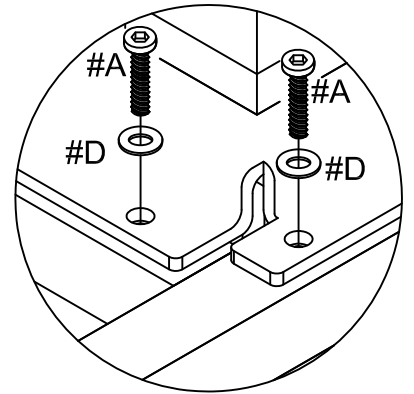
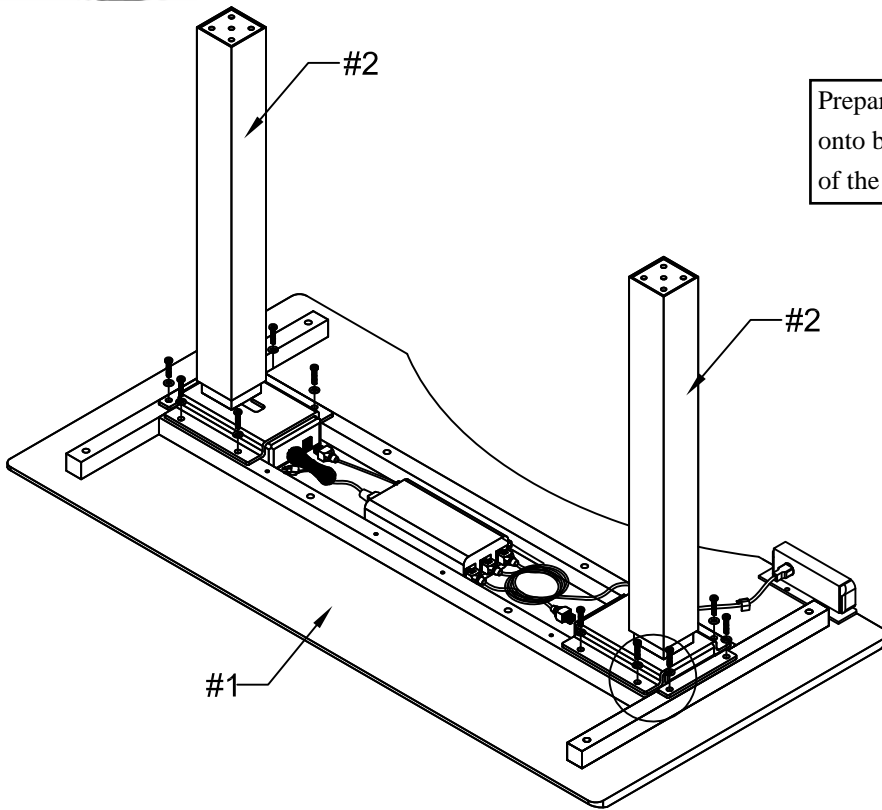


ASSEMBLY

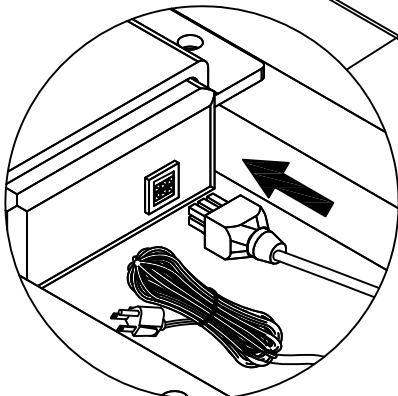
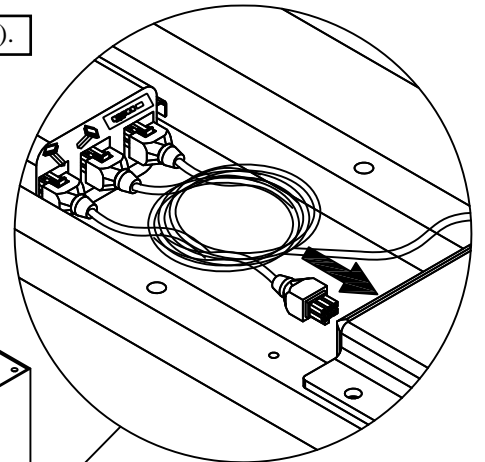
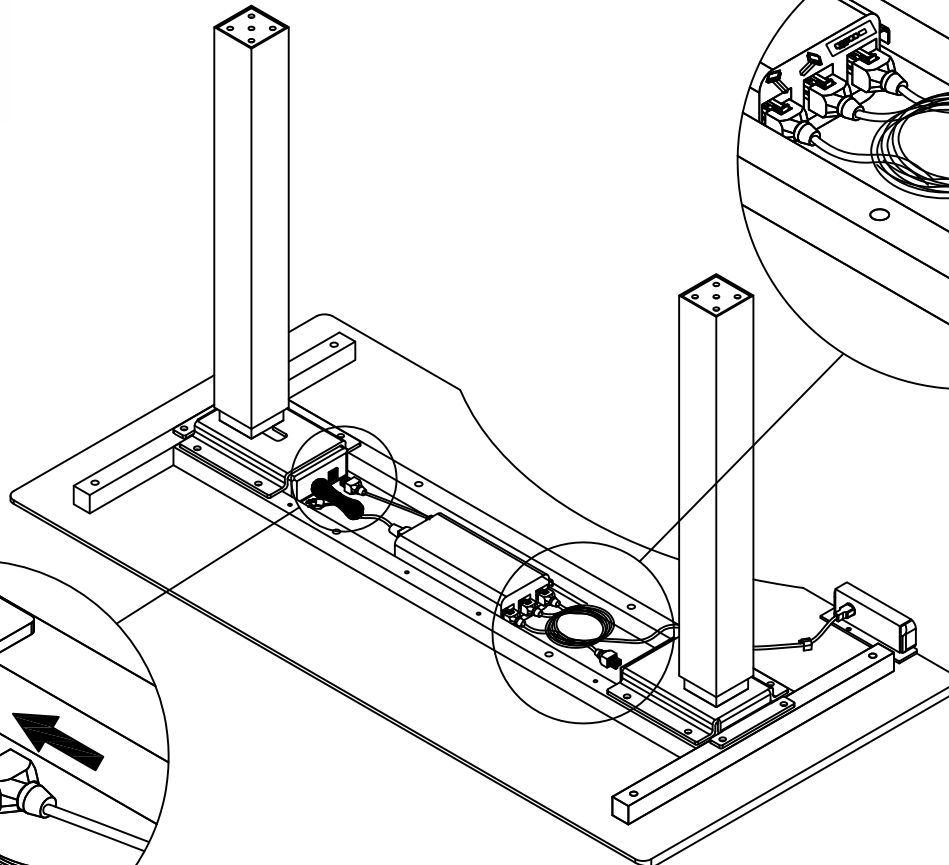
Do not fully tighten all bolts until assembly is complete. This will help all parts to assemble properly.

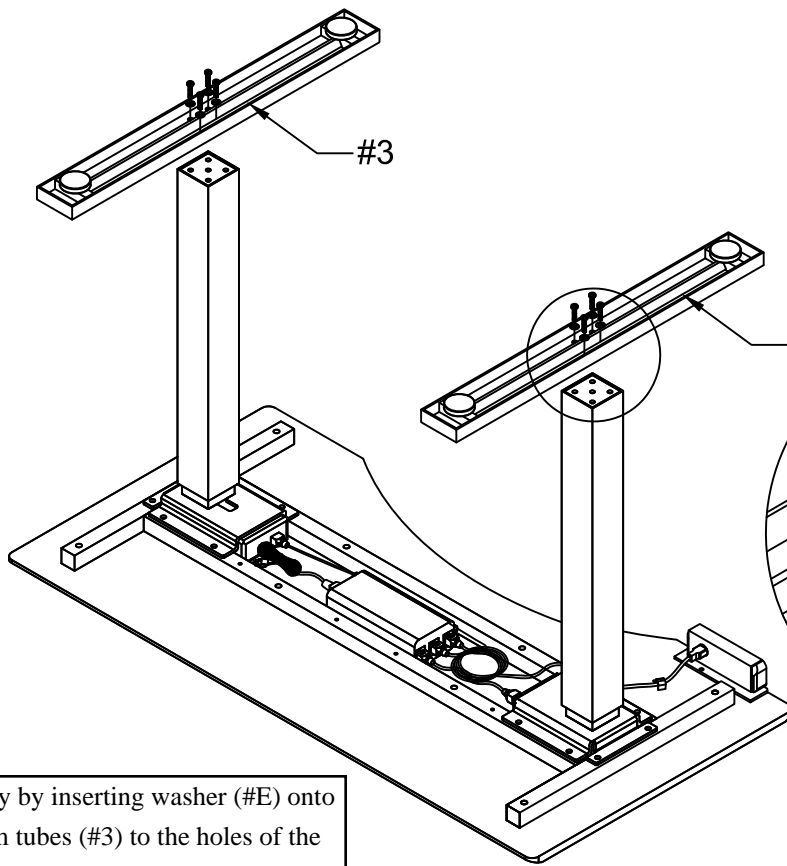
- #A  12pcs
- #D  12pcs
- #F 




Prepare 12 bolts assembly by inserting washer (#D) onto bolts (#A). Align support legs (#2) to the holes of the desk top (#1). Secure with bolts (#A).



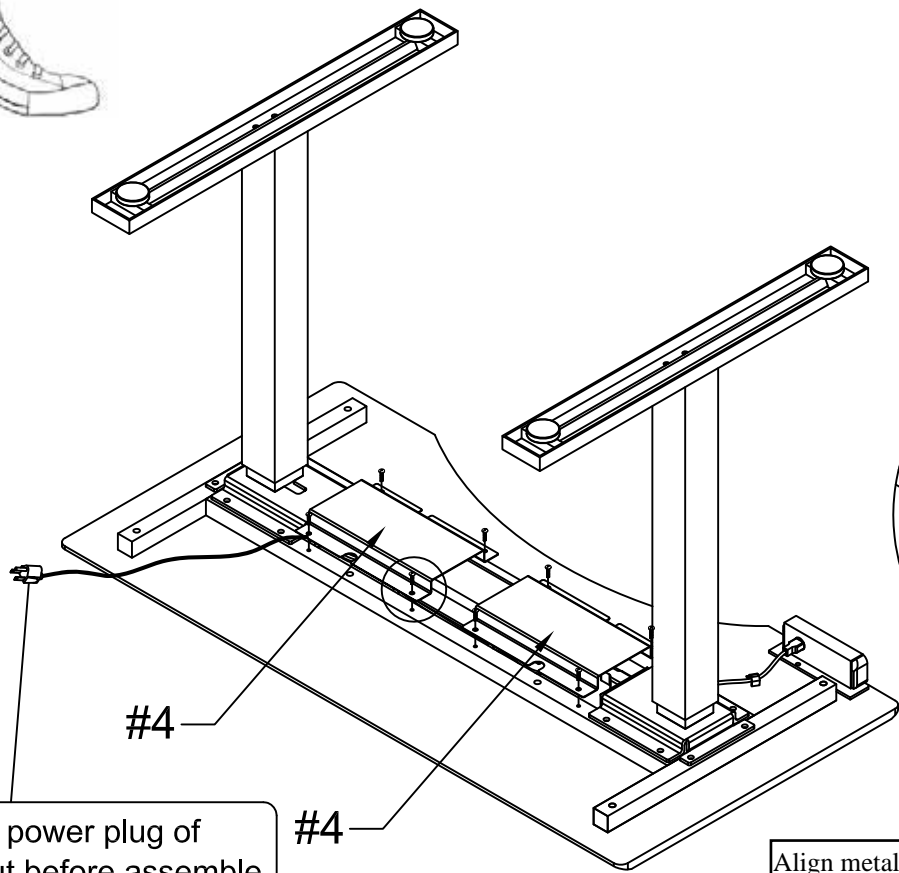
Connect the power cords to the legs (#2).






- #B  8pcs
- #E  8pcs
- #G 

Prepare 8 bolts assembly by inserting washer (#E) onto bolts (#B). Align bottom tubes (#3) to the holes of the support legs (#2). Secure with bolts (#B).



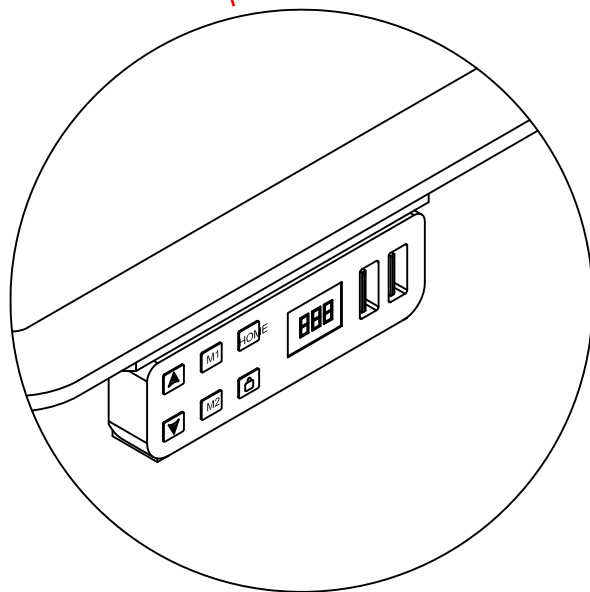
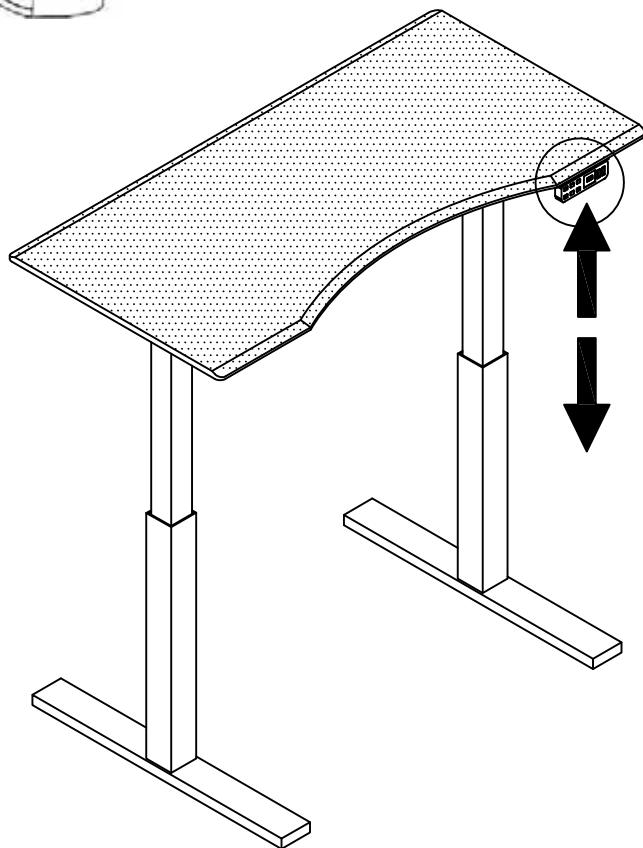
- #C  8pcs

Get the power plug of outlet out before assemble the Metal plate cover

Align metal plate covers (#4) to the holes of the desk top (#1). Secure with bolts (#C).

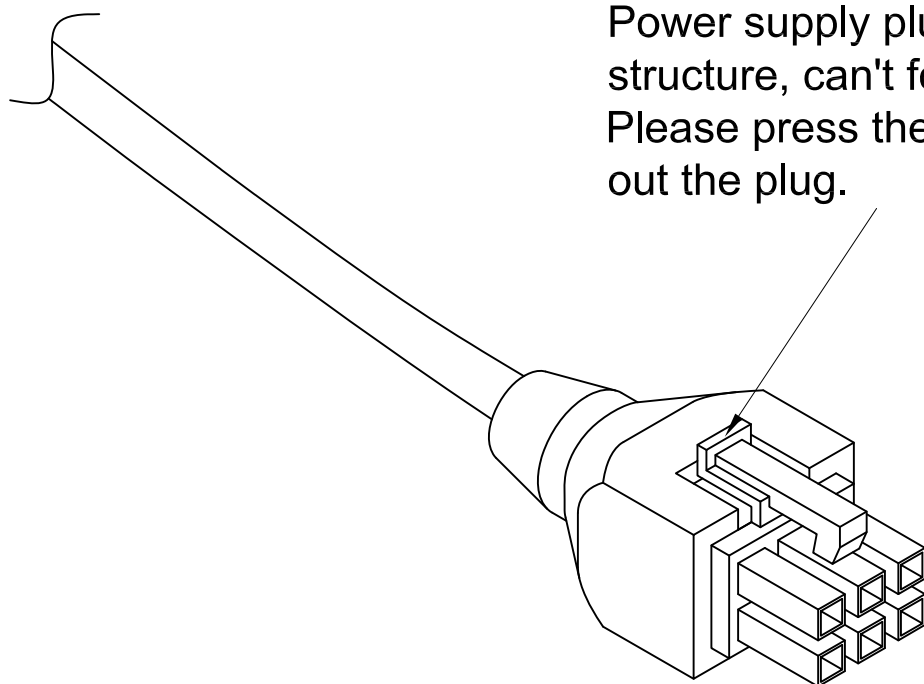


Up and down arrow to lift or decline the height of the desk.



NOTE:

Power supply plug has locking structure, can't forcibly pull out. Please press the button, then pull out the plug.



GL2 Parameter elucidation

Electrical control system:

- Input : 100-240V AC 50/60Hz
- Output : DC 29V
- Rated working time: S2 /18 2min ON 18min

Technical parameters

- Drive form : DC Drive.
- Push force: 850N
- Stroke : 665mm~1165mm
- Speed : $18 \pm 10\%$ mm/s.

Work environment

- ★ Temperature : $-25 \sim +40^{\circ}$.
- ★ Relative humidity : 20% ~ 80%.
- ★ Protection grade : IP44.
- ★ Mode of operation: Discontinuous working,
Work In Intervals of 2 minutes or more.

Security Warning



Adult operate only. Children should be carefully supervised by Adult.