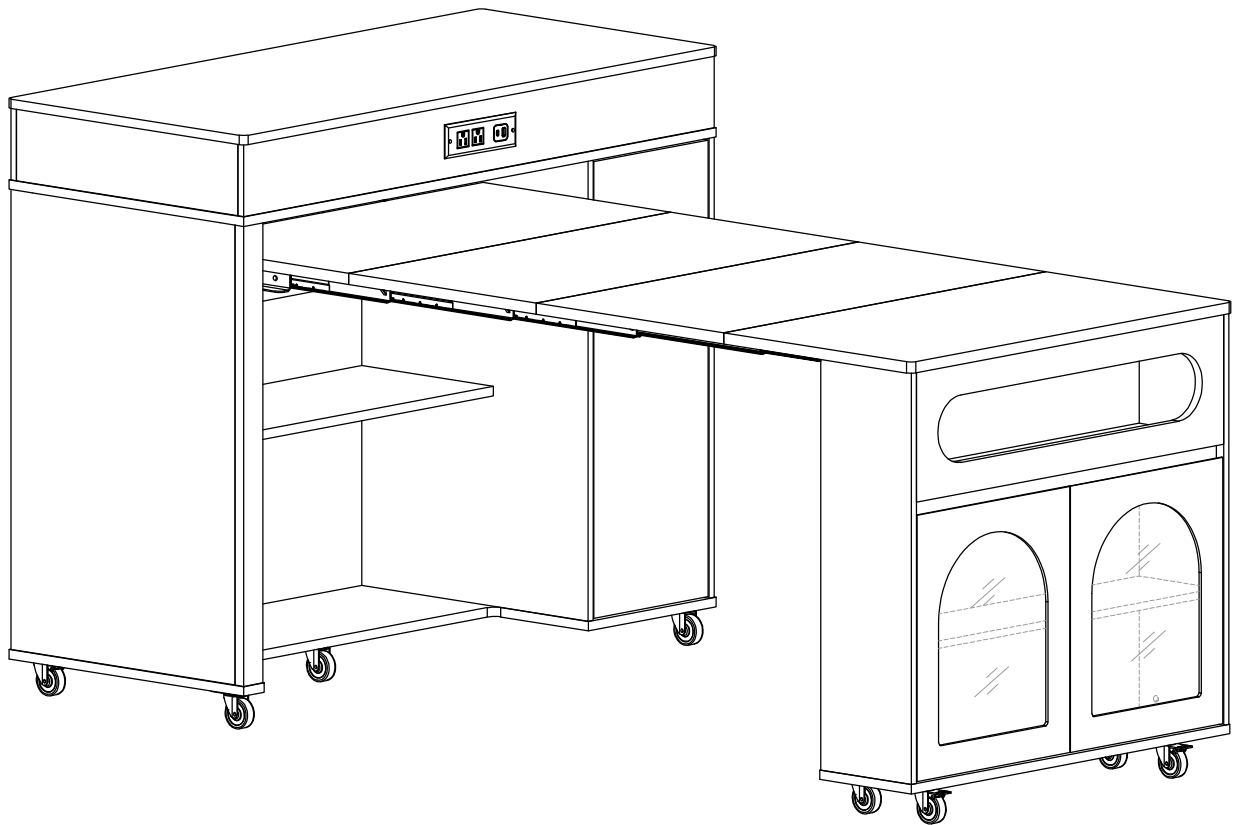


ASSEMBLY INSTRUCTION
Item : N715P396294/N715P396295
EXTENDABLE TABLE



ASSEMBLY INSTRUCTION

Item : N715P396294/N715P396295

Important - Please read these instructions fully before starting assembly

- Check you have all the components and tools listed on the following pages.
- Remove all fittings from the plastic bags and separate them into their groups.
- Keep children and animals away from the work area, small parts could choke if swallowed.
- Make sure you have enough space to layout the parts before starting.
- During assembly do not stand or put weight on the product, this could cause damage.
- Assemble the item as close to its final position (in the same room) as possible.
- Assemble on a soft level surface to avoid damaging the unit or your floor.
- Parts of the assembly will be easier with 2 people.
- To reduce the likelihood of damaging your product please ensure that your power drill is set on low torque setting.



Care and maintenance

- Only clean using a damp cloth and mild detergent, do not use bleach or abrasive cleaners.
- From time to time check that there are no loose screws on this unit.
- This product should not be discarded with household waste. Take to your local authority waste disposal centre.

Handy Hints

- Assemble all parts and bolts loosely during assembly, only once the product is complete should you fully tighten the bolts
- Regularly check and ensure that all bolts and fittings are tightened properly.

WARNING

In order to help prevent overturning - please follow these instructions

To help prevent product toppling over please follow the below steps:-

Use the anti tip strap or wall fixing method provided (if applicable)

Do not allow children to climb or hang on the furniture

Do not open more than one drawer at a time

Do not place heavy items in the top drawers

Do not place heavy items on top of the furniture, unless the furniture has been designed for this purpose

Please note that only the anti tip strap is provided.

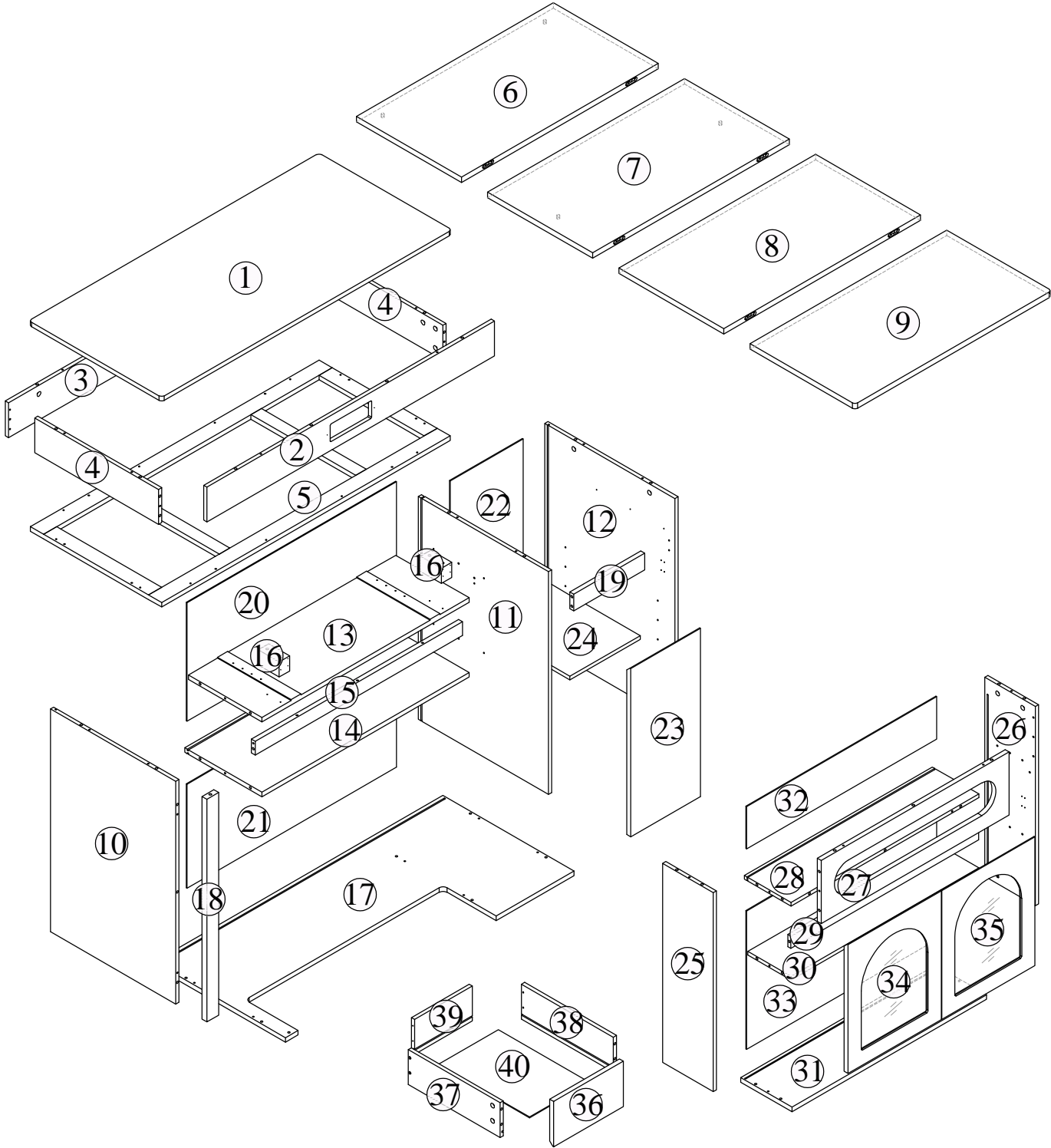
You will need to provide wall plugs and screws applicable for your wall type

Tools required

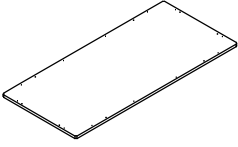
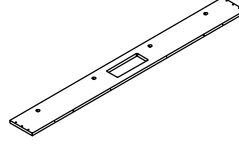
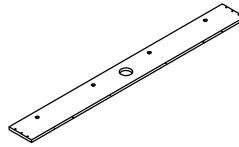
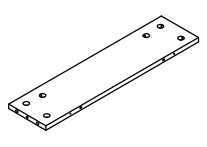
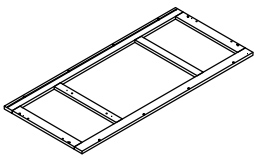
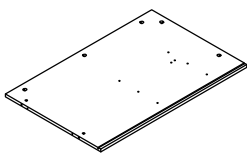
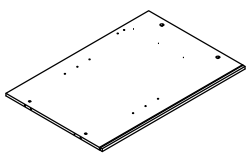
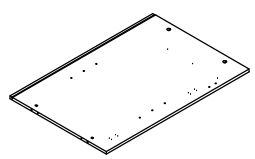
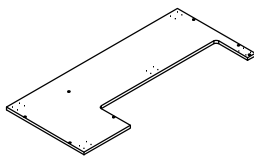
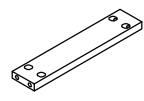
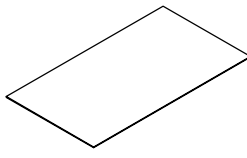
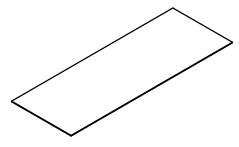
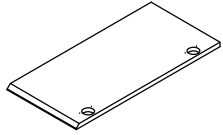
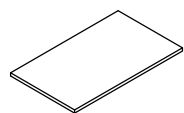
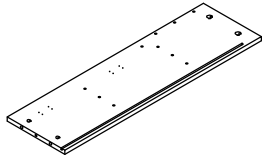
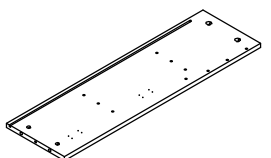
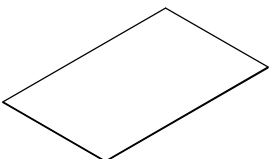
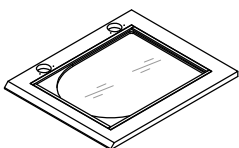
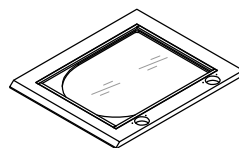
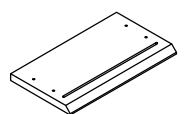
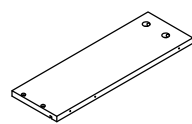
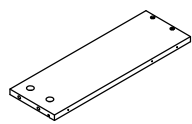
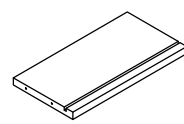
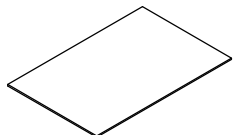


Screwdrivers can be converted to Phillips and Slotted.

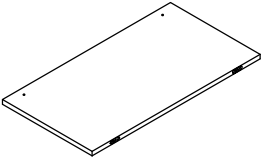
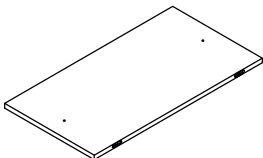
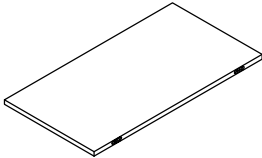
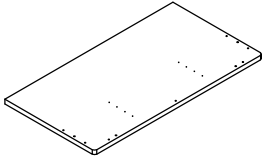
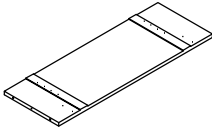
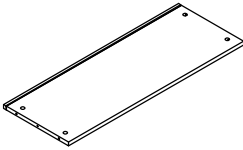
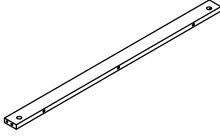
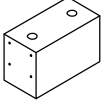
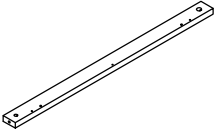
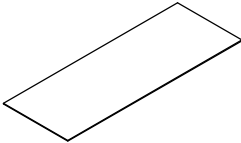
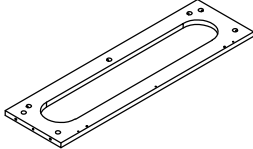
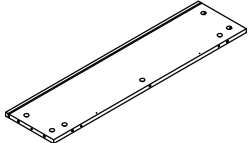
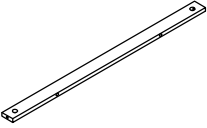
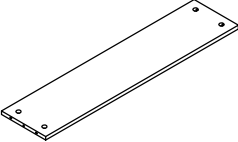
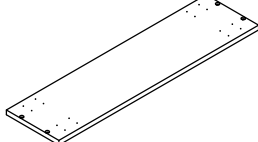
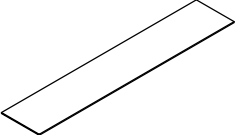
ASSEMBLY INSTRUCTION
Item : N715P396294/N715P396295








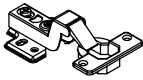

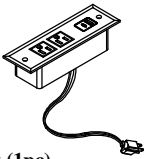


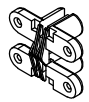








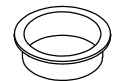
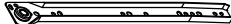

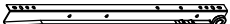
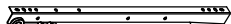
ASSEMBLY INSTRUCTION
Item : N715P396294/N715P396295
PART LIST

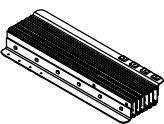
N715P396294			
<p style="text-align: center; font-weight: bold;">1</p>  <p style="text-align: center; font-weight: bold;">Top panel - 1pc</p>	<p style="text-align: center; font-weight: bold;">2</p>  <p style="text-align: center; font-weight: bold;">Up front panel - 1pc</p>	<p style="text-align: center; font-weight: bold;">3</p>  <p style="text-align: center; font-weight: bold;">Up back panel - 1pc</p>	<p style="text-align: center; font-weight: bold;">4</p>  <p style="text-align: center; font-weight: bold;">Up side panel - 2pcs</p>
<p style="text-align: center; font-weight: bold;">5</p>  <p style="text-align: center; font-weight: bold;">Middle frame - 1pc</p>	<p style="text-align: center; font-weight: bold;">10</p>  <p style="text-align: center; font-weight: bold;">Left side panel - 1pc</p>	<p style="text-align: center; font-weight: bold;">11</p>  <p style="text-align: center; font-weight: bold;">Middle panel - 1pc</p>	<p style="text-align: center; font-weight: bold;">12</p>  <p style="text-align: center; font-weight: bold;">Right side panel - 1pc</p>
<p style="text-align: center; font-weight: bold;">17</p>  <p style="text-align: center; font-weight: bold;">Bottom panel - 1pc</p>	<p style="text-align: center; font-weight: bold;">19</p>  <p style="text-align: center; font-weight: bold;">Rail - 1pc</p>	<p style="text-align: center; font-weight: bold;">20</p>  <p style="text-align: center; font-weight: bold;">Up left back panel - 1pc</p>	<p style="text-align: center; font-weight: bold;">21</p>  <p style="text-align: center; font-weight: bold;">Lower left back panel - 1pc</p>
<p style="text-align: center; font-weight: bold;">23</p>  <p style="text-align: center; font-weight: bold;">Door - 1pc</p>	<p style="text-align: center; font-weight: bold;">24</p>  <p style="text-align: center; font-weight: bold;">Adjustable shelf - 1pc</p>	<p style="text-align: center; font-weight: bold;">25</p>  <p style="text-align: center; font-weight: bold;">Left plate of the activity rack - 1pc</p>	<p style="text-align: center; font-weight: bold;">26</p>  <p style="text-align: center; font-weight: bold;">Right plate of the activity rack - 1pc</p>
<p style="text-align: center; font-weight: bold;">33</p>  <p style="text-align: center; font-weight: bold;">Lower back panel of the activity rack - 1pc</p>	<p style="text-align: center; font-weight: bold;">34</p>  <p style="text-align: center; font-weight: bold;">Left door of the activity rack - 1pc</p>	<p style="text-align: center; font-weight: bold;">35</p>  <p style="text-align: center; font-weight: bold;">Right door of the activity rack - 1pc</p>	<p style="text-align: center; font-weight: bold;">36</p>  <p style="text-align: center; font-weight: bold;">Drawer front panel - 1pc</p>
<p style="text-align: center; font-weight: bold;">37</p>  <p style="text-align: center; font-weight: bold;">Drawer left side panel - 1pc</p>	<p style="text-align: center; font-weight: bold;">38</p>  <p style="text-align: center; font-weight: bold;">Drawer right side panel - 1pc</p>	<p style="text-align: center; font-weight: bold;">39</p>  <p style="text-align: center; font-weight: bold;">Drawer back panel - 1pc</p>	<p style="text-align: center; font-weight: bold;">40</p>  <p style="text-align: center; font-weight: bold;">Drawer bottom panel - 1pc</p>

ASSEMBLY INSTRUCTION
Item : N715P396294/N715P396295
PART LIST

N715P396295			
6  Top panel - 1pc	7  Top panel - 1pc	8  Top panel - 1pc	9  Top panel - 1pc
13  Middle panel - 1pc	14  Fixed panel - 1pc	15  Rail- 1pc	16  Little piece of wood - 2pcs
18  Establish a rule - 1pc	22  Right back panel - 1pc	27  Front panel of the activity rack - 1pc	28  Fixed panel of the activity rack - 1pc
29  Rail of the activity rack - 1pc	30  Fixed panel of the activity rack- 1pc	31  Bottom panel of the activity rack - 1pc	32  Up back panel of the activity rack- 1pc

ASSEMBLY INSTRUCTION
Item : N715P396294/N715P396295
HARDWARE LIST

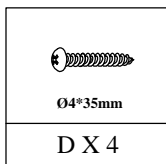
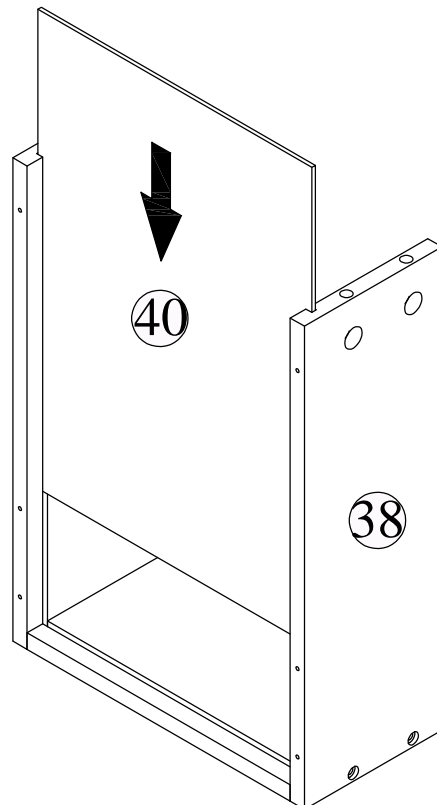
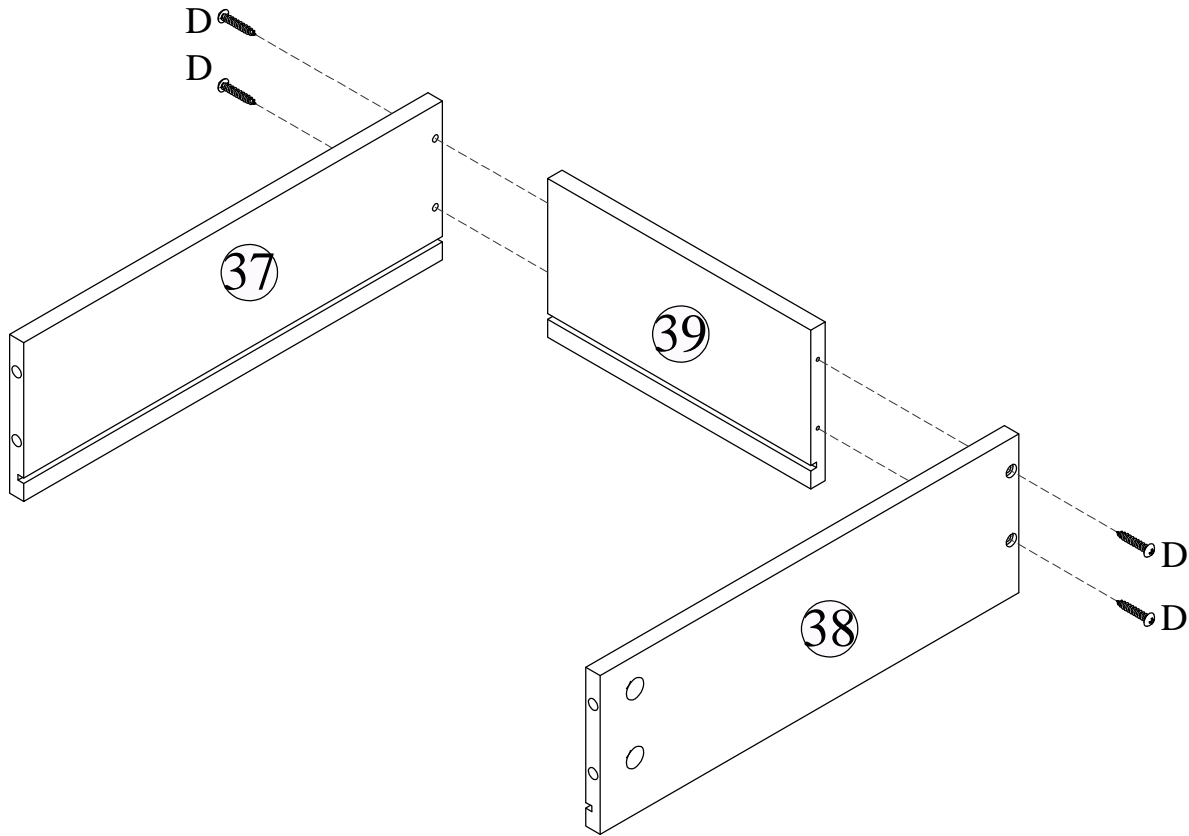
N715P396294			
<p>A</p>  <p style="text-align: center;">Ø6.5*35mm</p> <p>Minifix (72+3pcs)</p>	<p>B</p>  <p style="text-align: center;">Ø15*9mm</p> <p>Minifix cap (72+3pcs)</p>	<p>C</p>  <p style="text-align: center;">Ø6*30mm</p> <p>Wood dowel (54+3pcs)</p>	<p>D</p>  <p style="text-align: center;">Ø4*35mm</p> <p>Wood screw (25+2pcs)</p>
<p>E</p>  <p style="text-align: center;">M6*45mm</p> <p>Blot (11+1pcs)</p>	<p>F</p>  <p>Soft close hinges (6pcs)</p>	<p>G</p>  <p style="text-align: center;">Ø4*12mm</p> <p>Wood screw (48+3pcs)</p>	<p>H</p>  <p>Insert Row (1pc)</p>
<p>I</p>  <p>Locating piece (2pcs)</p>	<p>J</p>  <p style="text-align: center;">Ø3*12mm</p> <p>Wood screw (10+1pcs)</p>	<p>K</p>  <p>Hinges (6pcs)</p>	<p>L</p>  <p style="text-align: center;">Ø4*19mm</p> <p>Wood screw (24+2pcs)</p>
<p>M</p>  <p style="text-align: center;">Ø10*10mm</p> <p>Handle (11+1pcs)</p>	<p>N</p>  <p>Shelf support (4+1pcs)</p>	<p>P</p>  <p style="text-align: center;">Ø5*16mm</p> <p>Wood screw (16+1pcs)</p>	<p>Q</p>  <p>Allen wrench (1pc)</p>
<p>R</p>  <p>Caster wheels (5pcs)</p>	<p>S</p>  <p>Caster wheels (4pcs)</p>	<p>T</p>  <p style="text-align: center;">Ø4*14mm</p> <p>Wood screw (36+2pcs)</p>	<p>U</p>  <p>Outlet cover (1pc)</p>
<p>CL</p>  <p style="text-align: center;">350mm</p> <p>Slide rail (1pc)</p>	<p>CR</p>  <p style="text-align: center;">350mm</p> <p>Slide rail (1pc)</p>	<p>DL</p>  <p style="text-align: center;">350mm</p> <p>Slide rail (1pc)</p>	<p>DR</p>  <p style="text-align: center;">350mm</p> <p>Slide rail (1pc)</p>

N715P396295
<p>O</p>  <p>Slide rail (2pcs)</p>

ASSEMBLY INSTRUCTION

Item : N715P396294/N715P396295

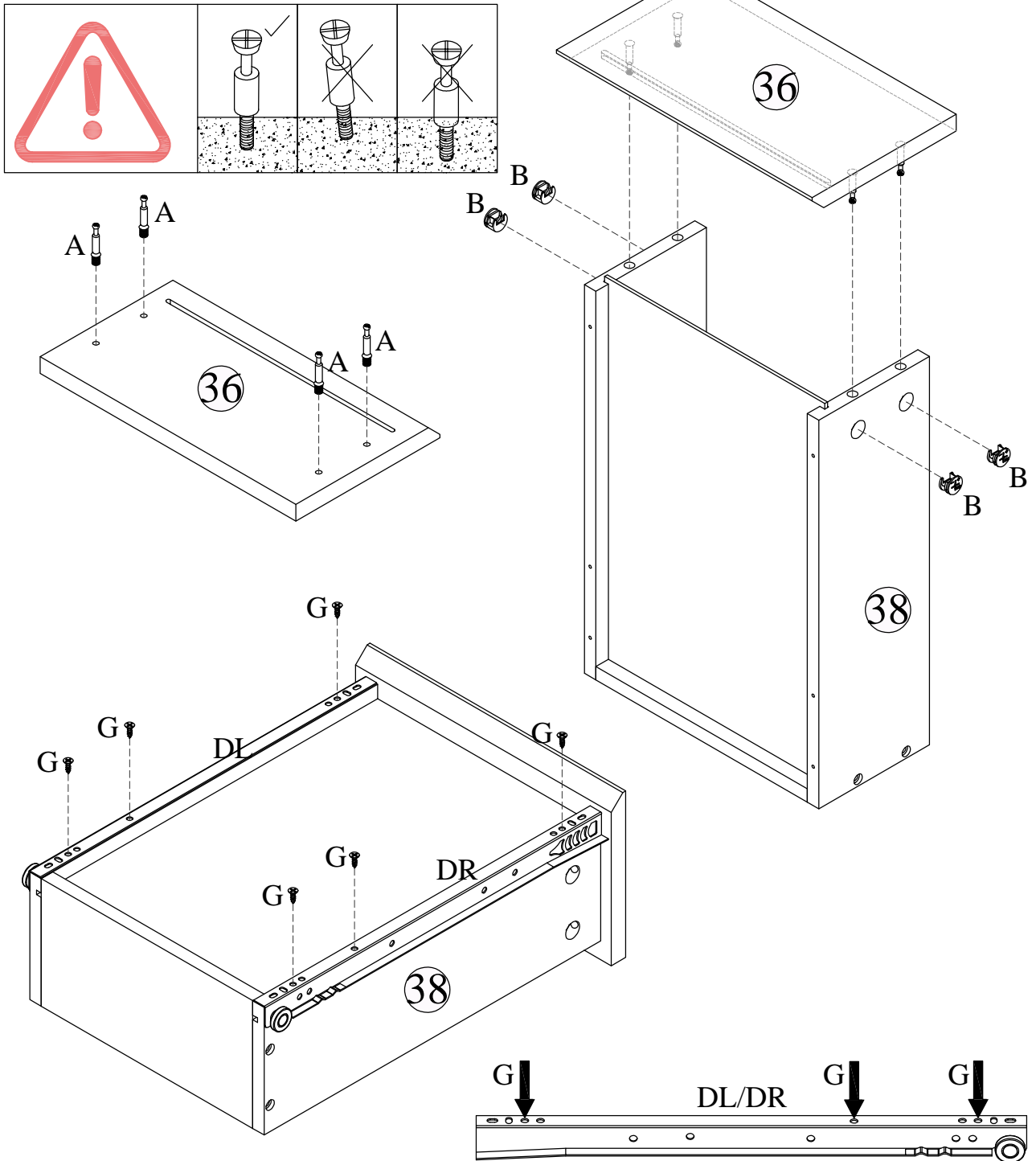
Step 1



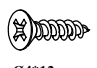




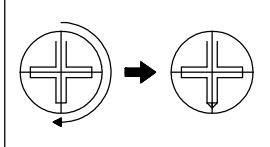
ASSEMBLY INSTRUCTION

Item : N715P396294/N715P396295

Step 2



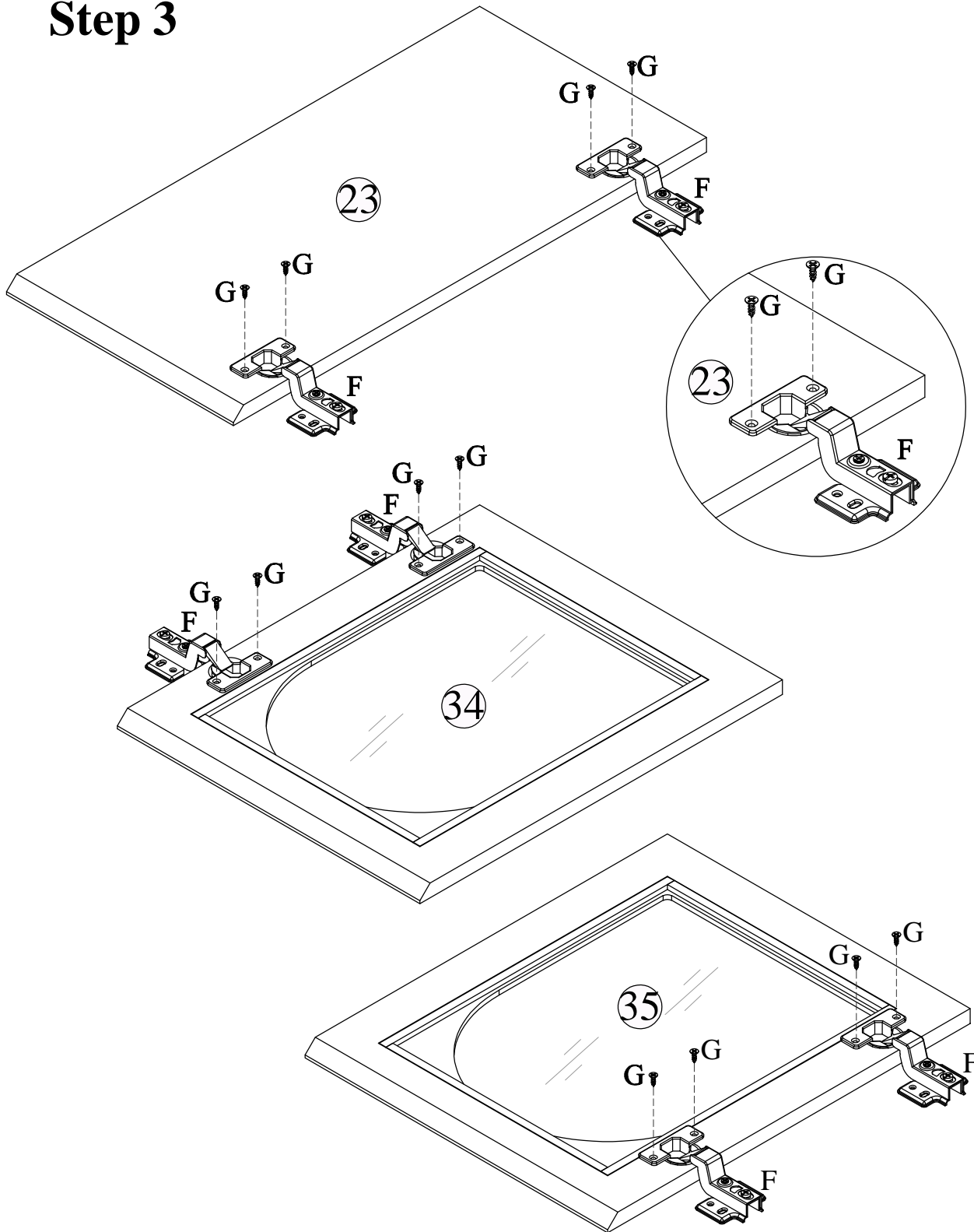
				
Ø6.5*35mm	Ø15*9mm	Ø4*12mm	350mm	350mm
A X 4	B X 4	G X 6	DL X 1	DR X 1


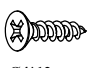

 Lock Minifix cap clockwise

ASSEMBLY INSTRUCTION

Item : N715P396294/N715P396295

Step 3

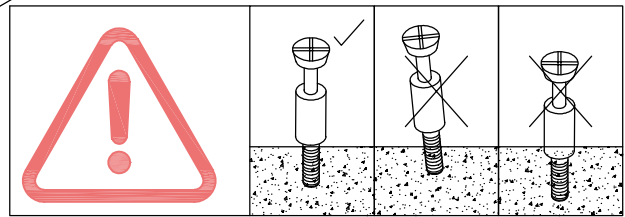
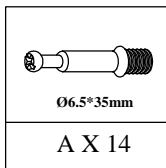
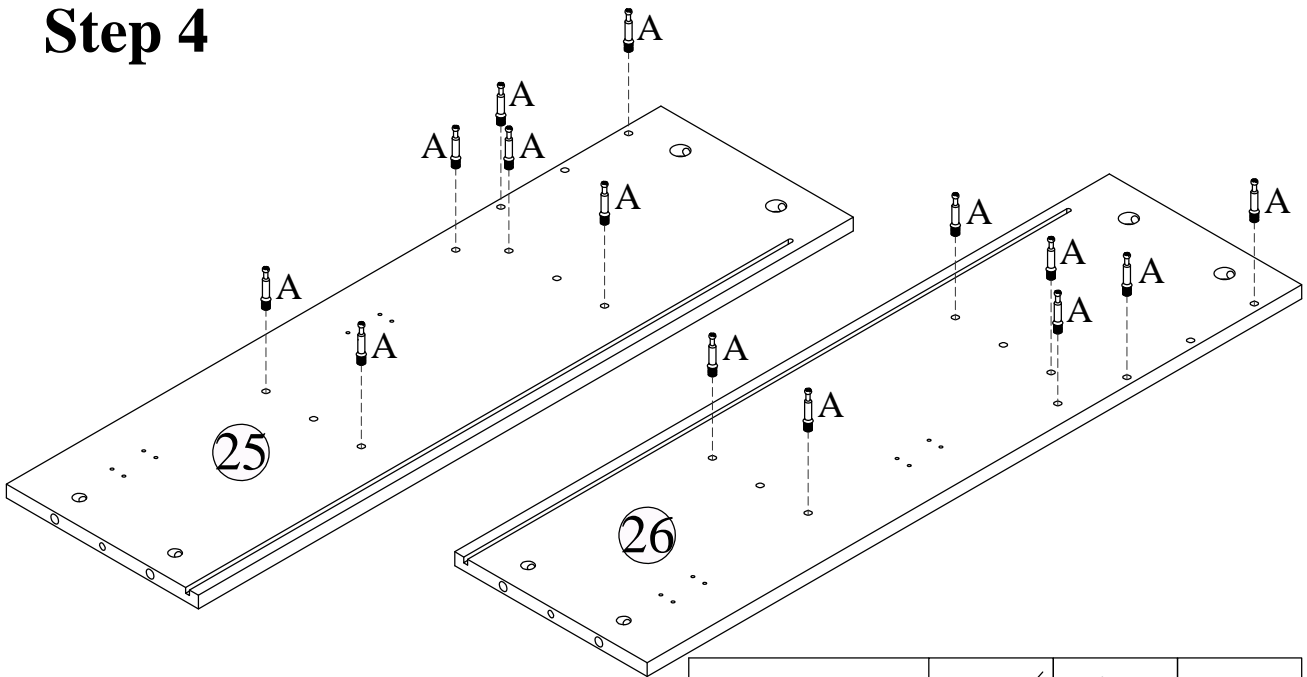


	
FX 6	G X 12

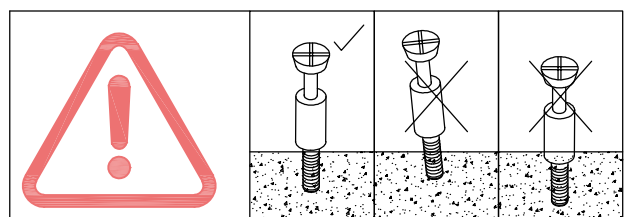
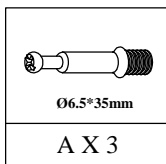
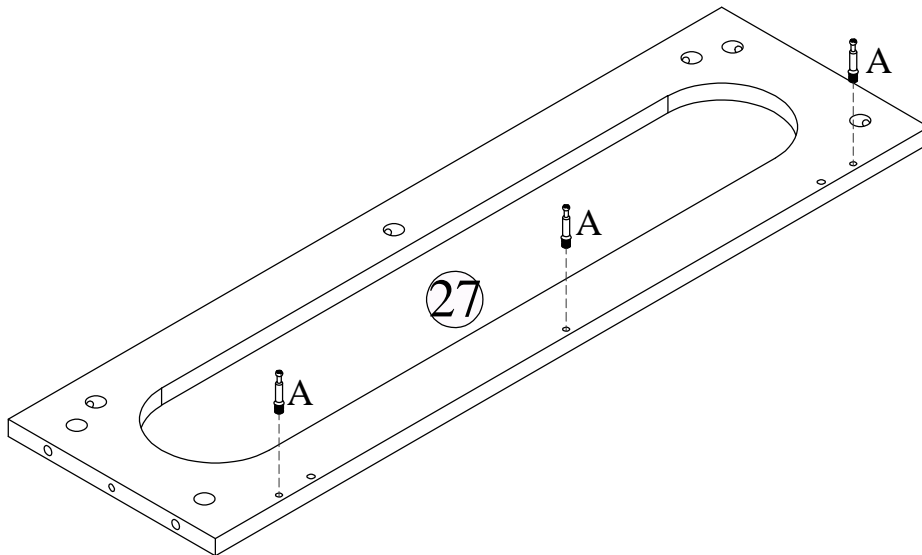
ASSEMBLY INSTRUCTION

Item : N715P396294/N715P396295

Step 4



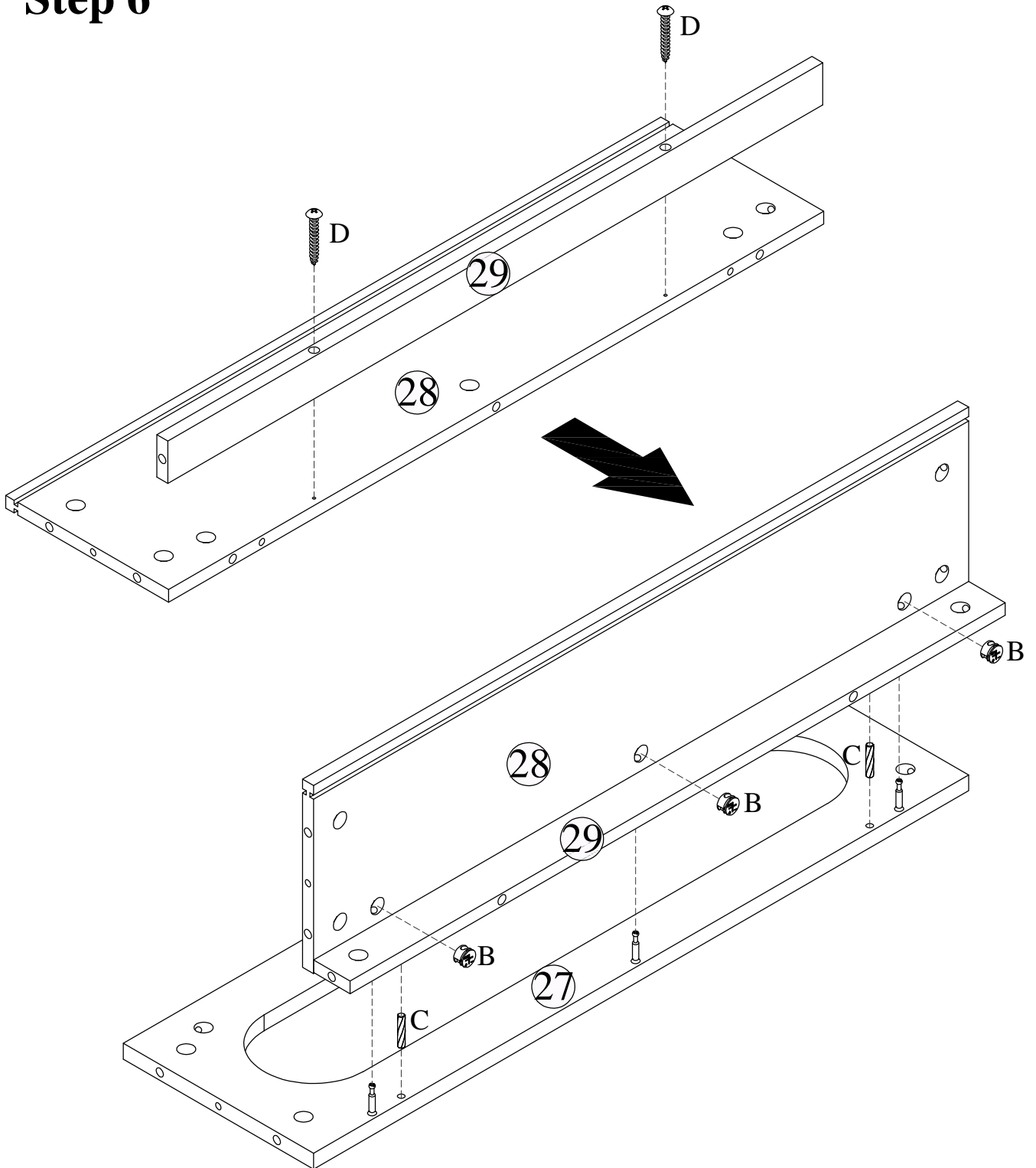
Step 5


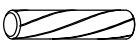
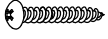


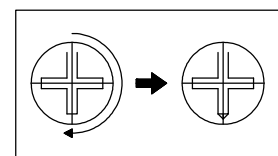
ASSEMBLY INSTRUCTION

Item : N715P396294/N715P396295

Step 6



		
Ø15*9mm	Ø6*30mm	Ø4*35mm
B X 3	C X 2	D X 2

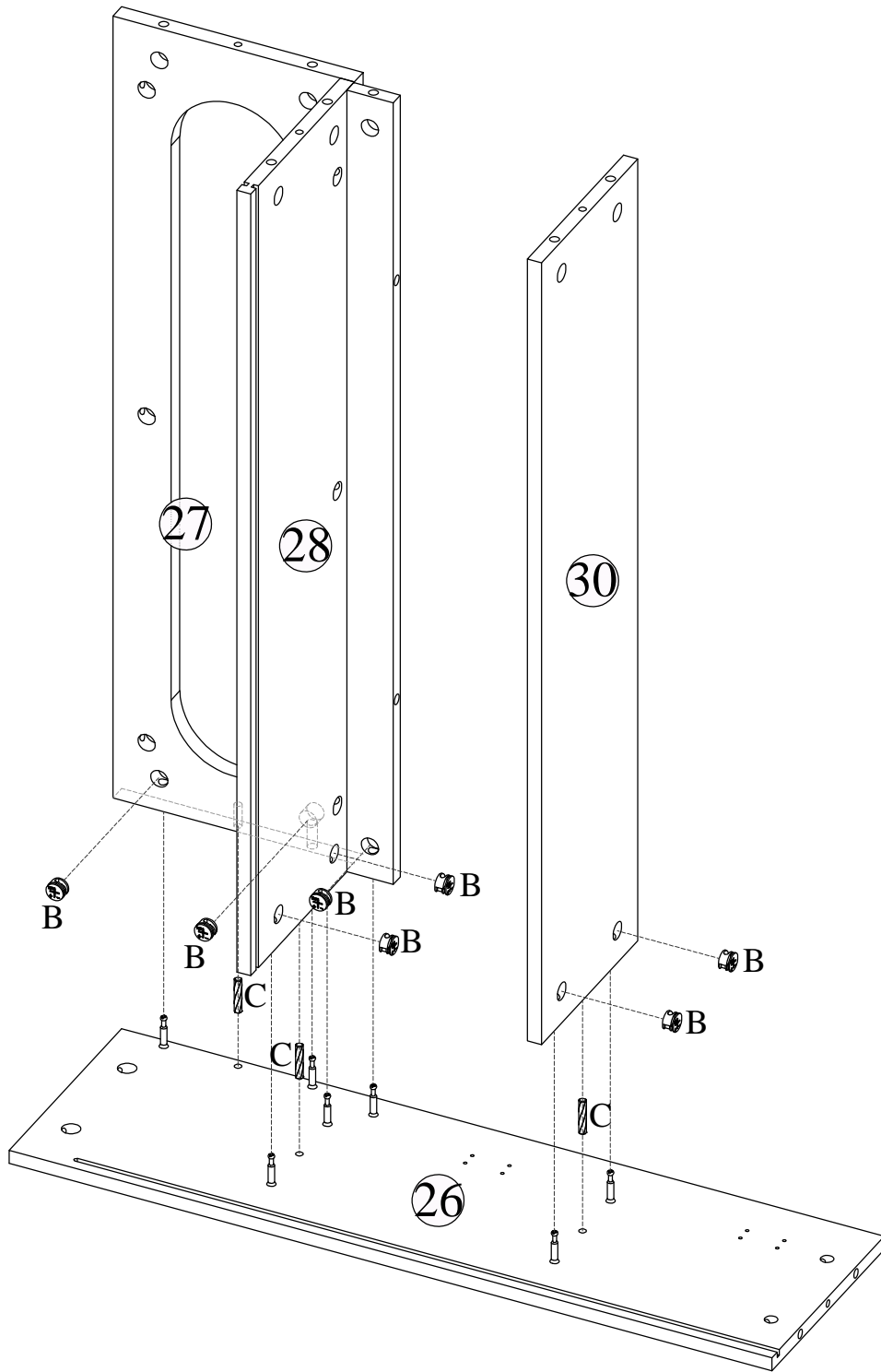



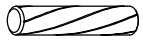
Lock Minifix cap clockwise

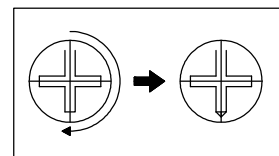
ASSEMBLY INSTRUCTION

Item : N715P396294/N715P396295

Step 7



 Ø15*9mm	 Ø6*30mm
B X 7	C X 3

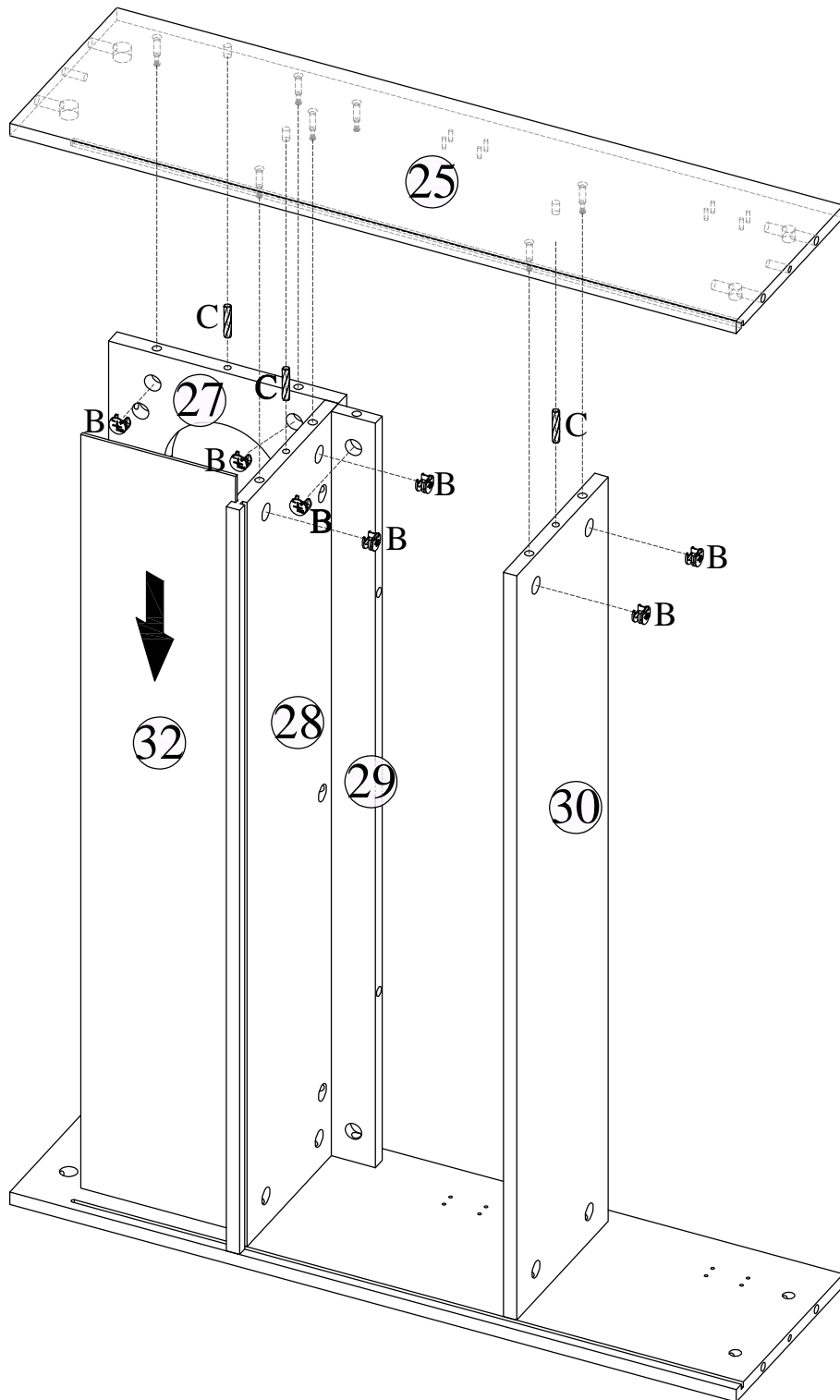



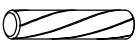
Lock Minifix cap clockwise

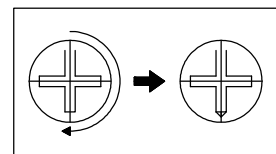
ASSEMBLY INSTRUCTION

Item : N715P396294/N715P396295

Step 8



	
Ø15*9mm	Ø6*30mm
B X 7	C X 3

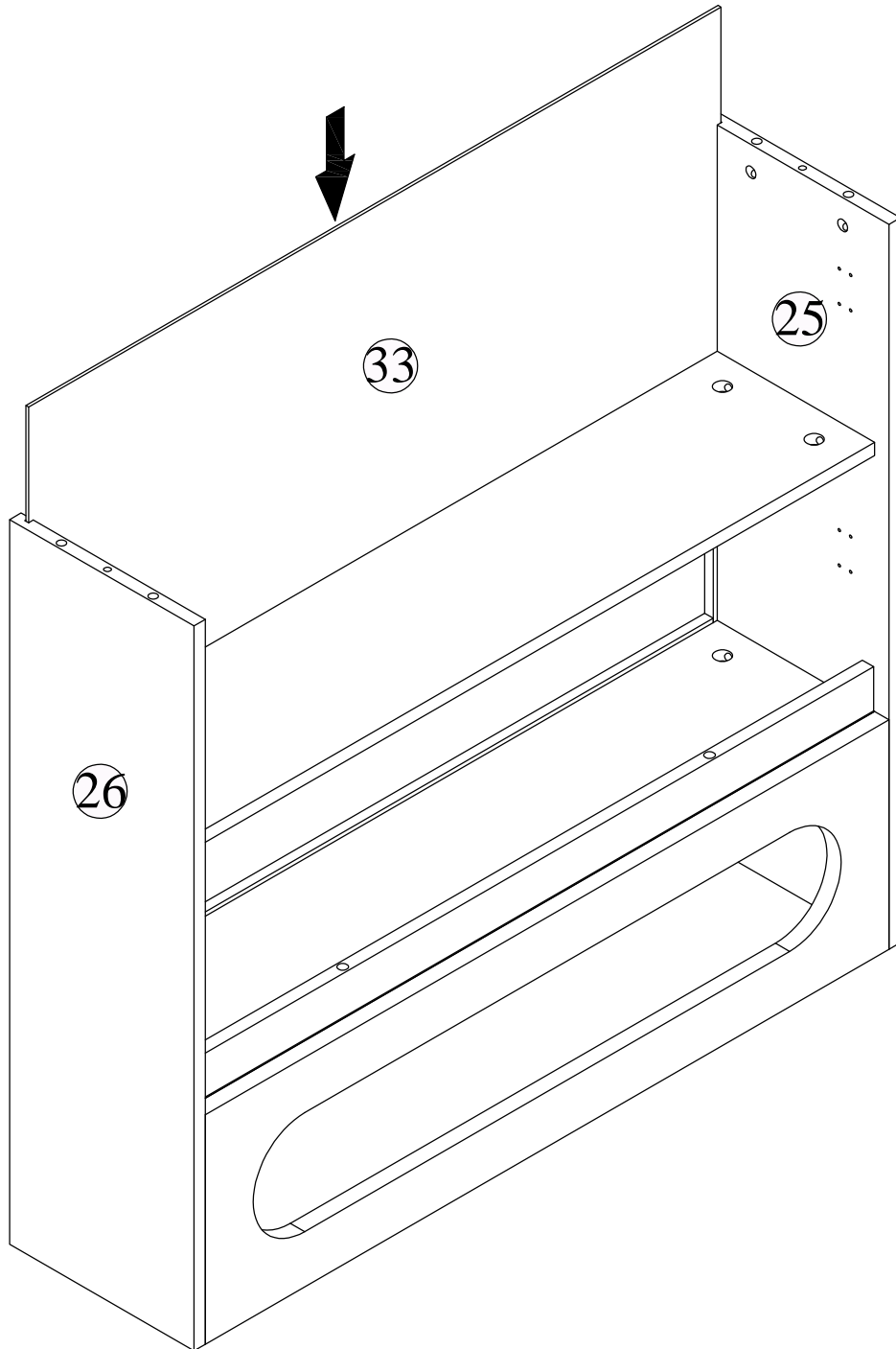


Lock Minifix cap clockwise

ASSEMBLY INSTRUCTION

Item : N715P396294/N715P396295

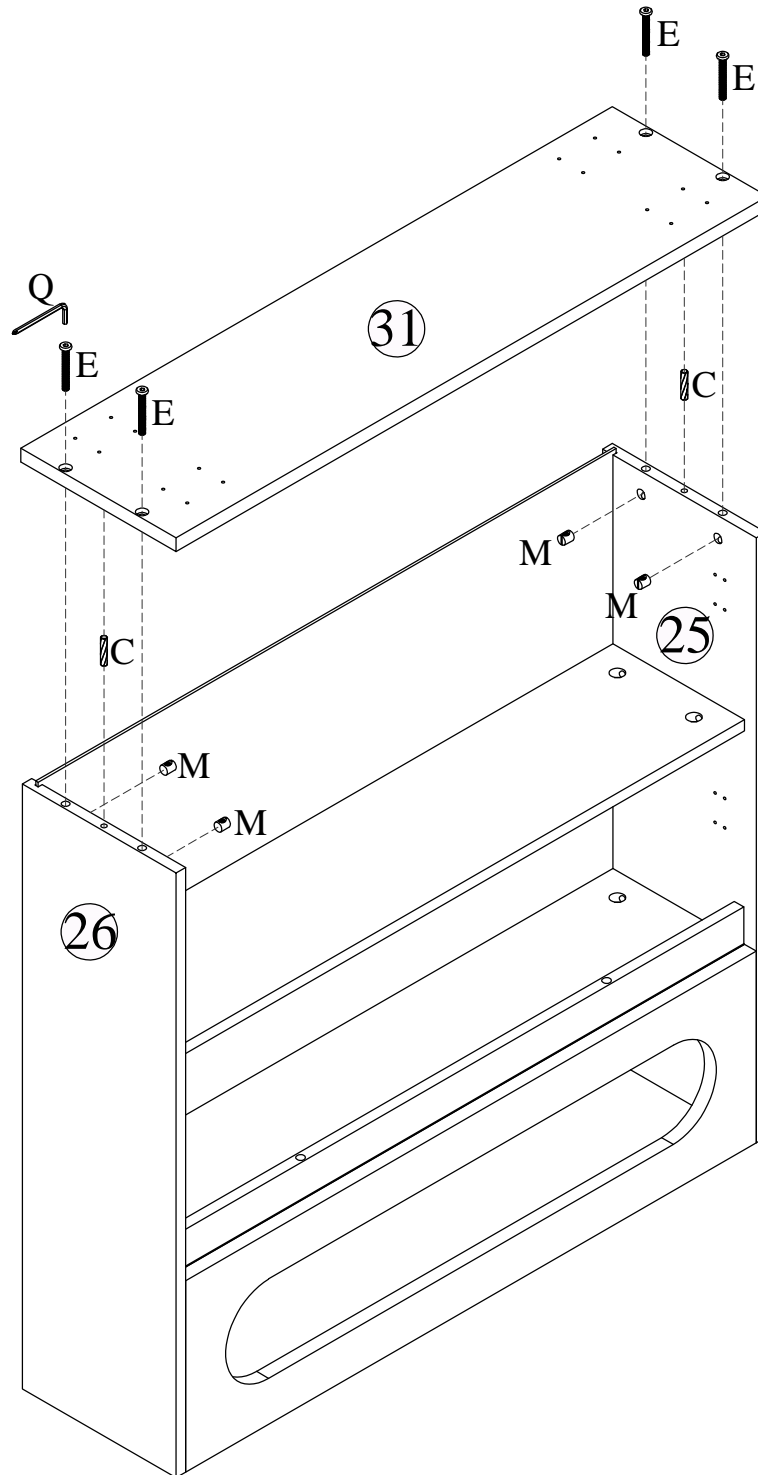
Step 9







ASSEMBLY INSTRUCTION

Item : N715P396294/N715P396295

Step 10

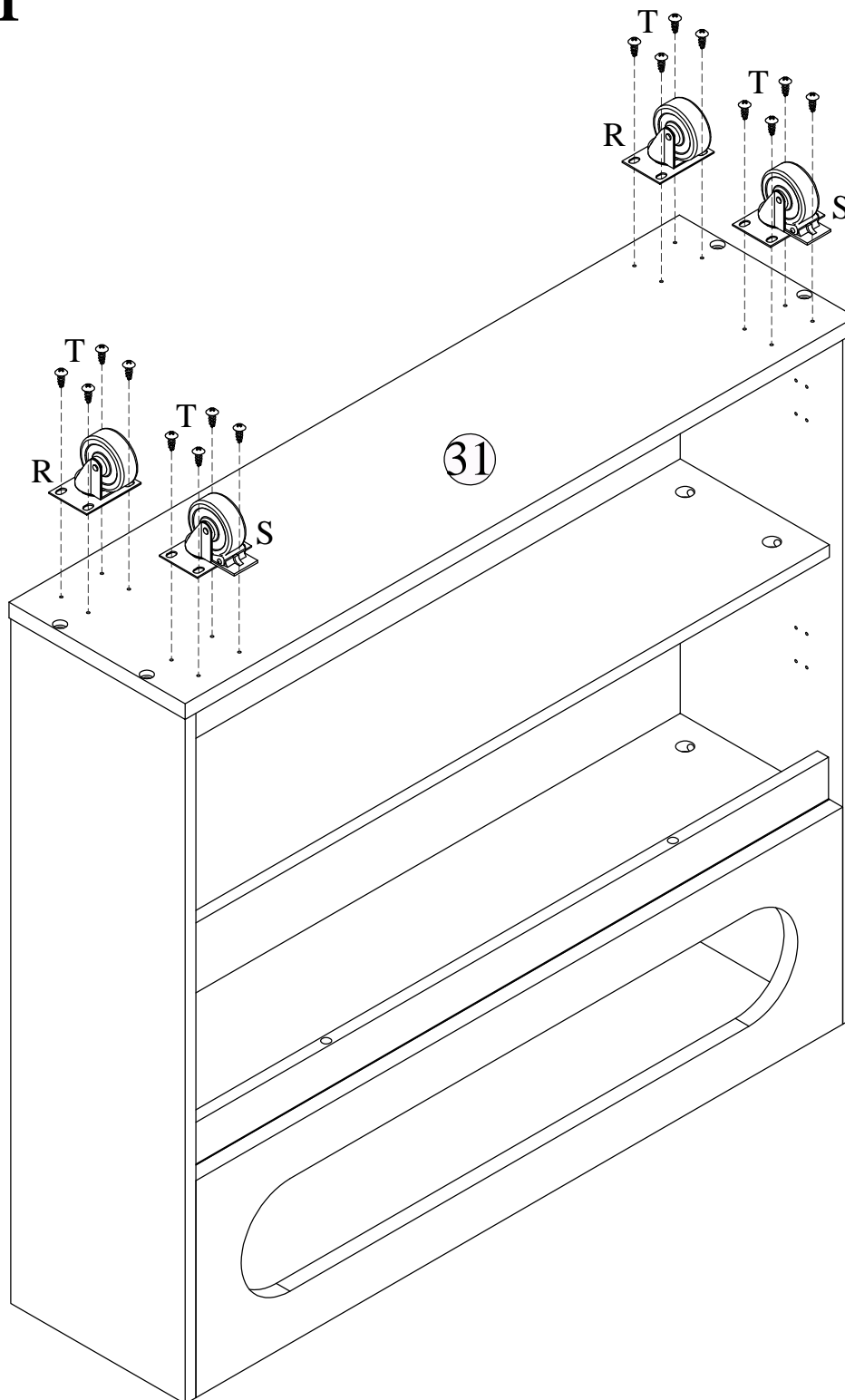



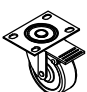

			
Ø6*30mm	M6*45mm	Ø10*10mm	
C X 2	E X 4	M X 4	Q X 1

ASSEMBLY INSTRUCTION

Item : N715P396294/N715P396295

Step 11

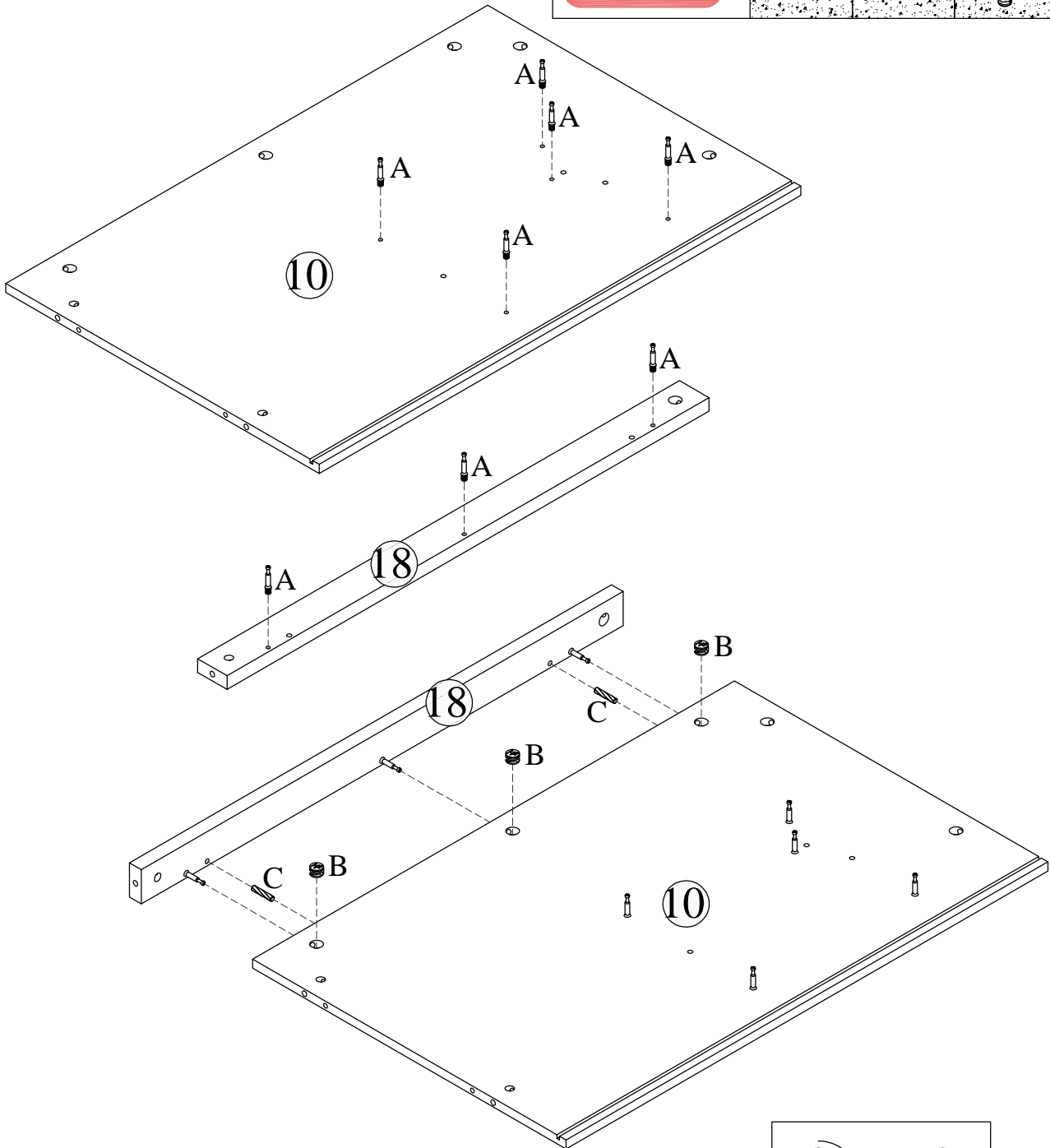
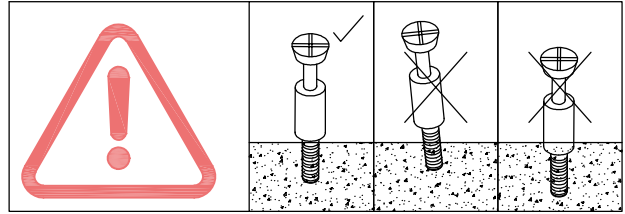


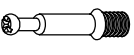

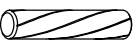
		
R X 2	S X 2	T X 16 Ø4*14mm

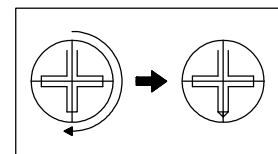
ASSEMBLY INSTRUCTION

Item : N715P396294/N715P396295

Step 12



		
Ø6.5*35mm	Ø15*9mm	Ø6*30mm
A X 8	B X 3	C X 2

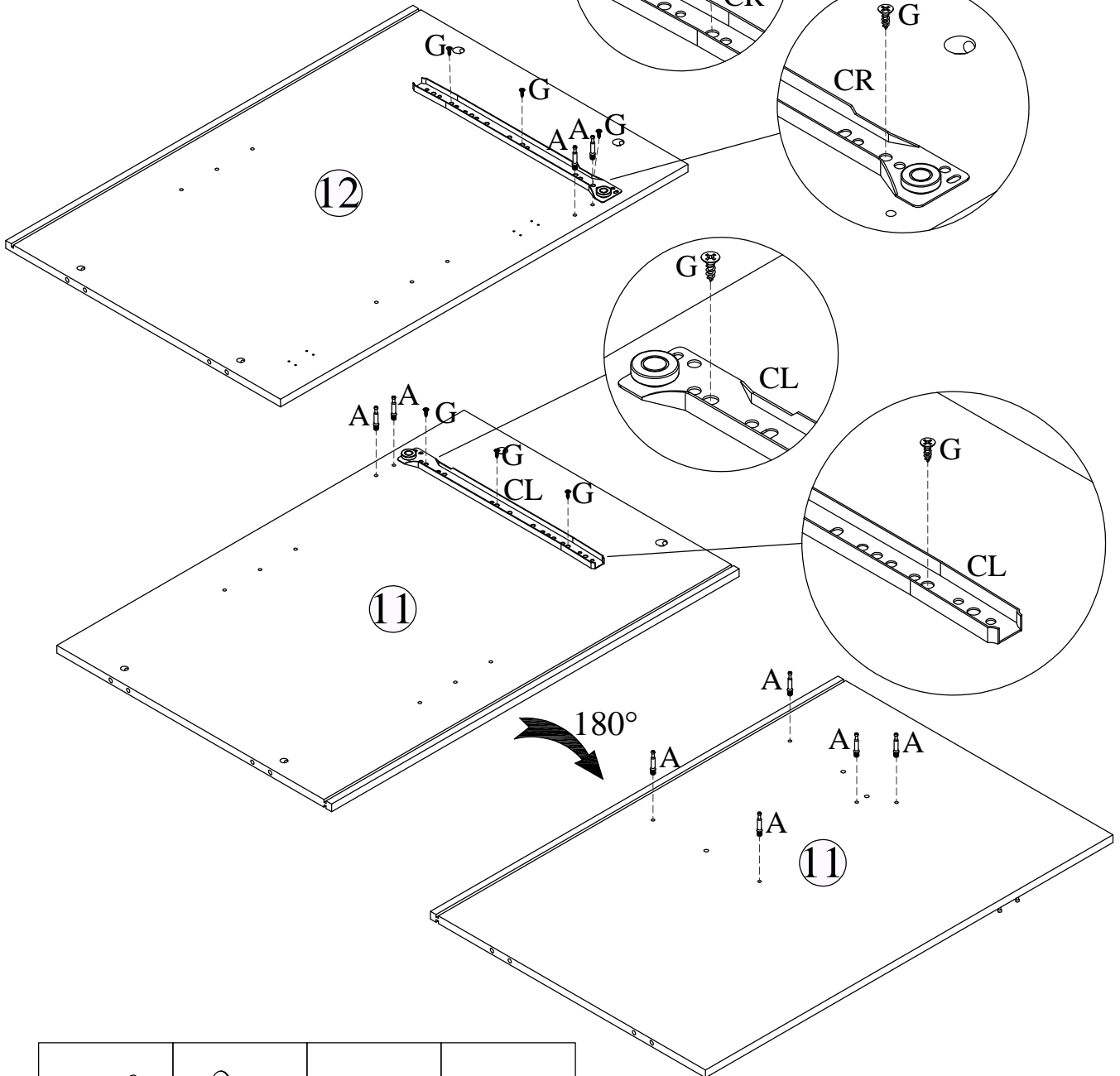
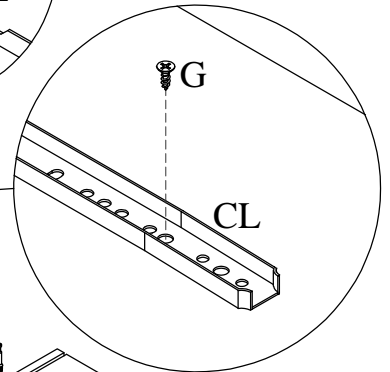
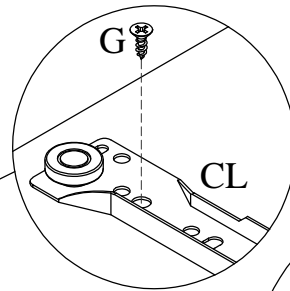
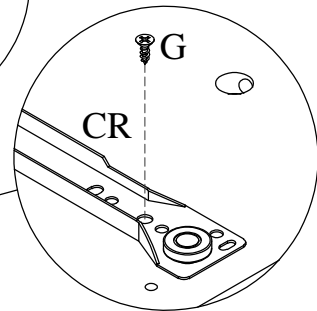
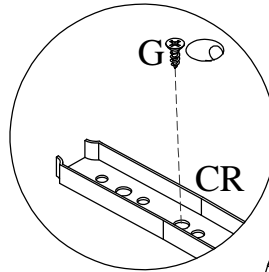
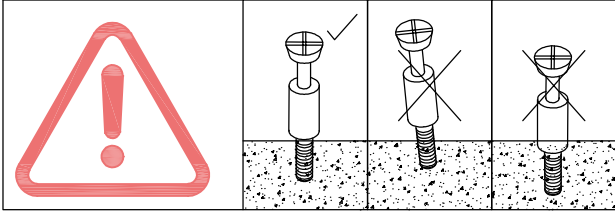
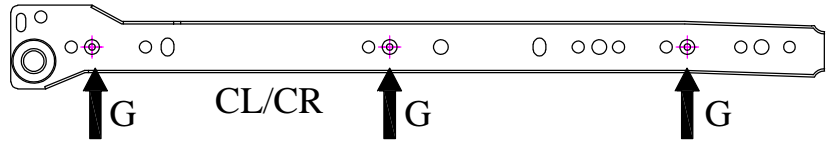


Lock Minifix cap clockwise

ASSEMBLY INSTRUCTION

Item : N715P396294/N715P396295

Step 13

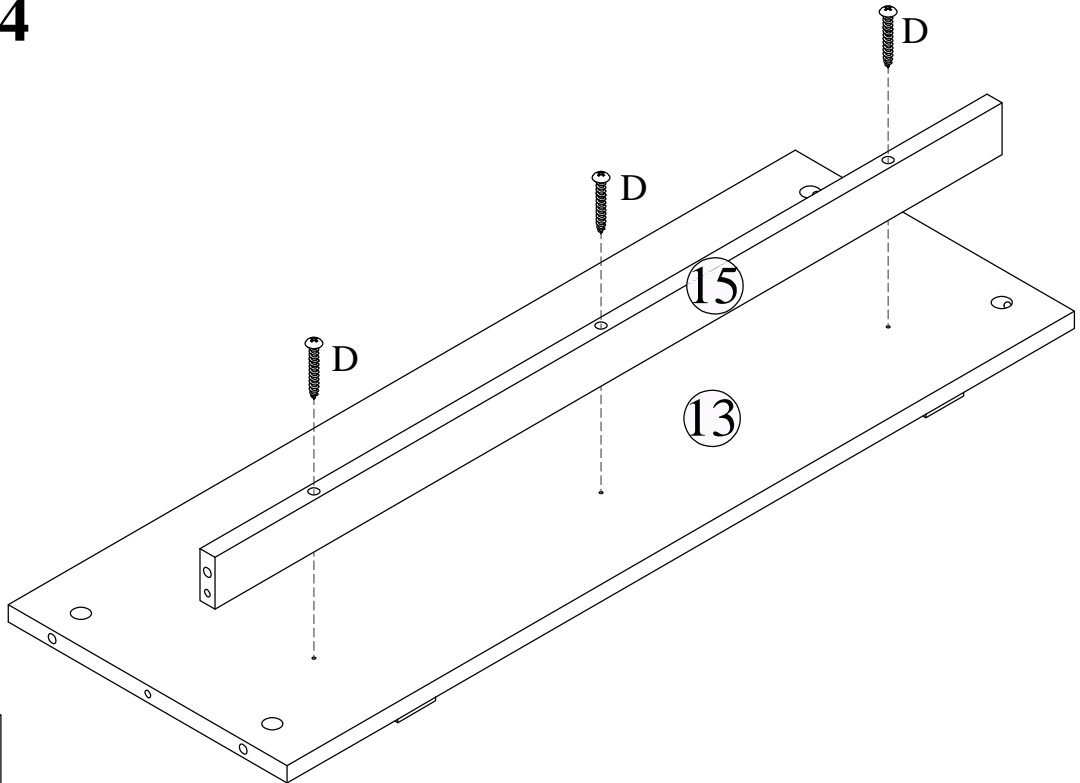


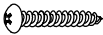
06.5*35mm	04*12mm	350mm	350mm
A X 9	G X 6	CL X 1	CR X 1

ASSEMBLY INSTRUCTION

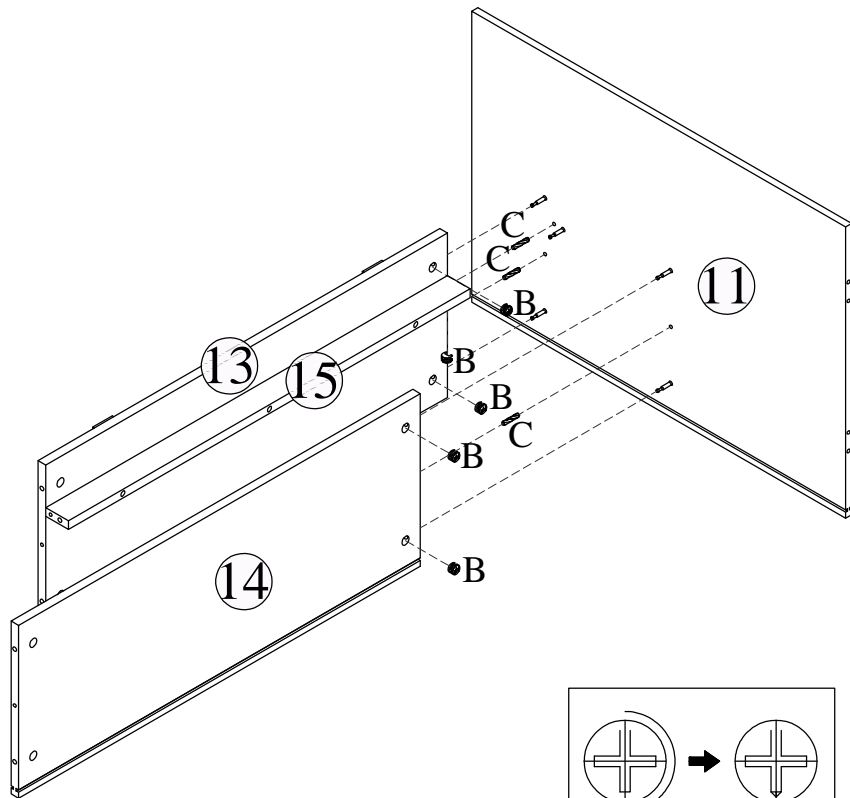
Item : N715P396294/N715P396295



Step 14

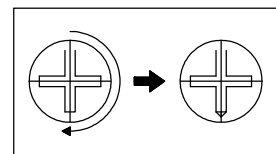



Ø4*35mm
D X 3

Step 15



	
Ø15*9mm	Ø6*30mm
B X 5	C X 3

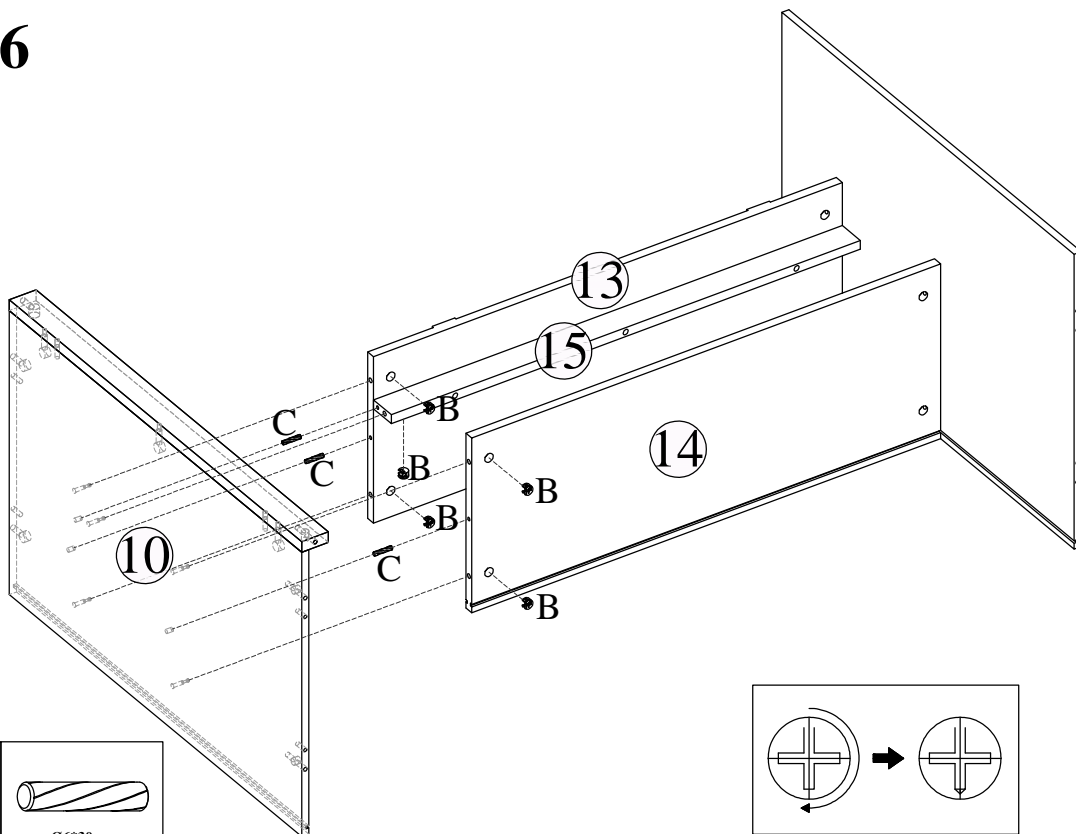




Lock Minifix cap clockwise

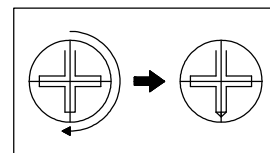
ASSEMBLY INSTRUCTION

Item : N715P396294/N715P396295

Step 16

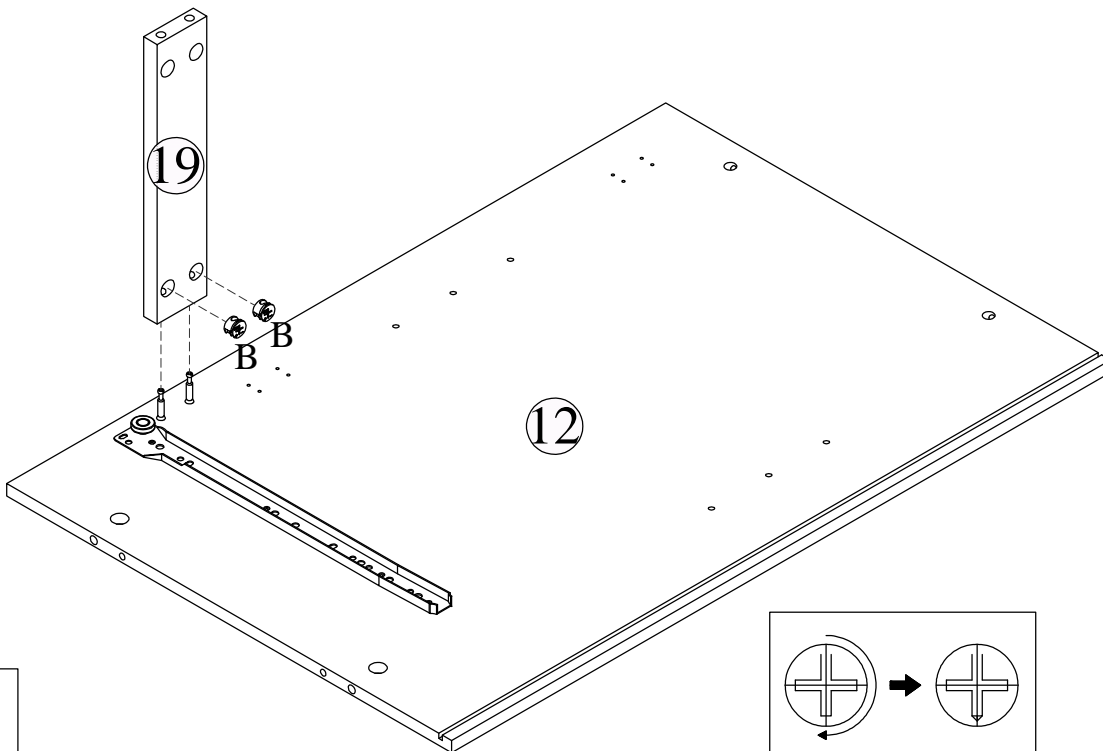



	
Ø15*9mm	Ø6*30mm
B X 5	C X 3

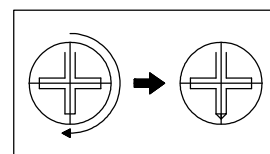


Lock Minifix cap clockwise

Step 17




Ø15*9mm
B X 2

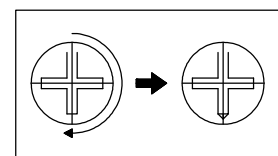
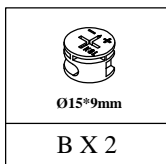
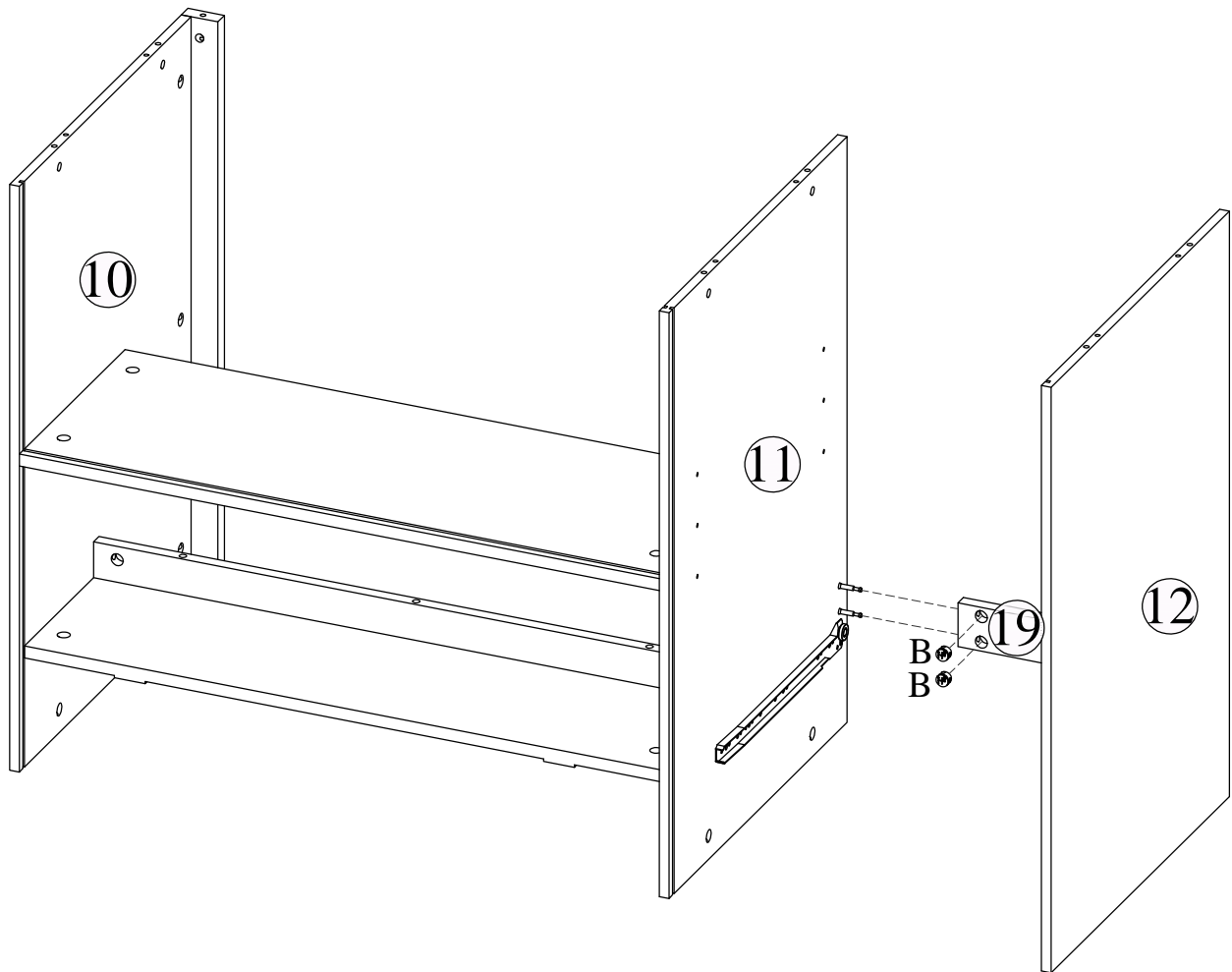


Lock Minifix cap clockwise

ASSEMBLY INSTRUCTION

Item : N715P396294/N715P396295

Step 18

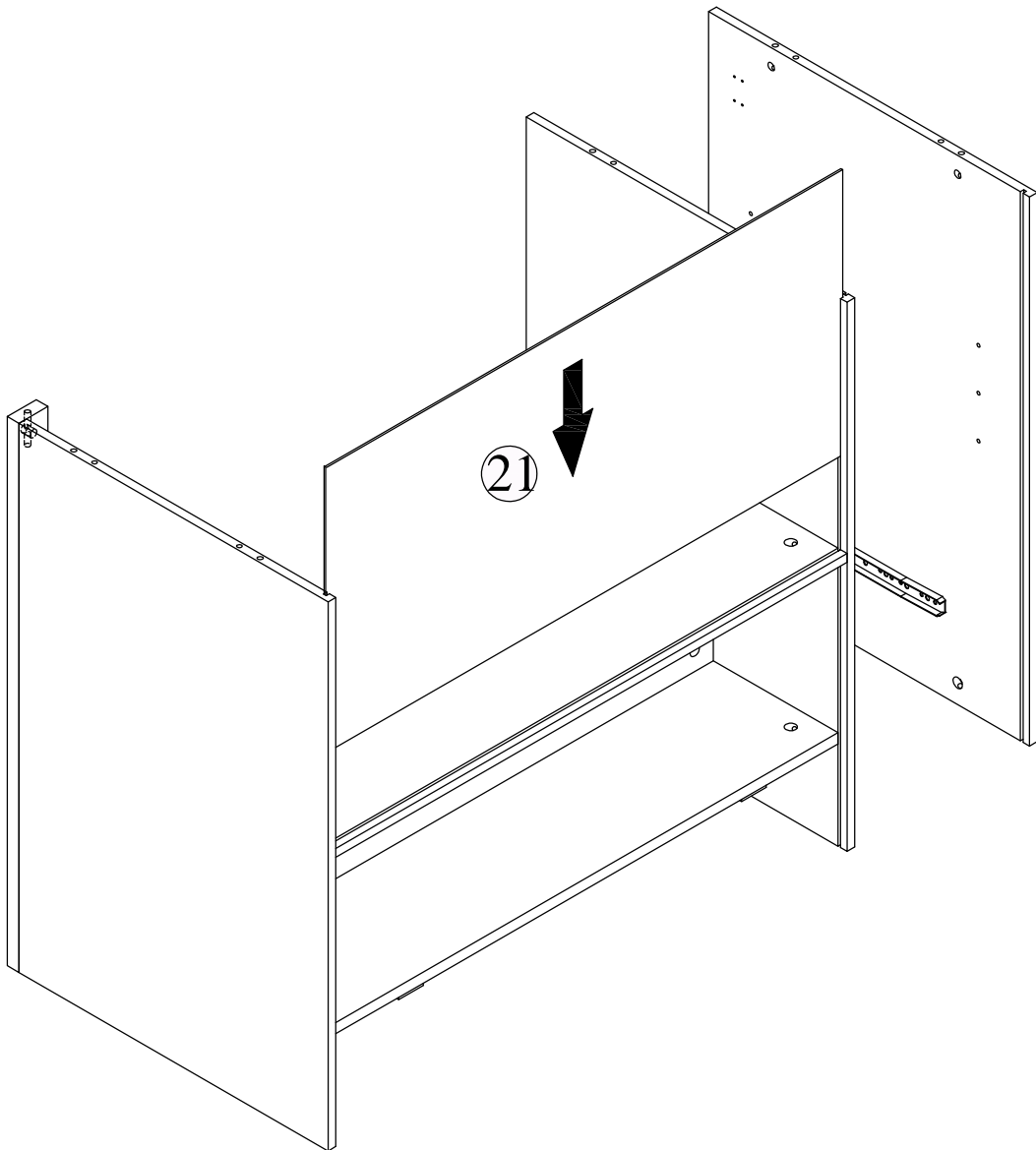


Lock Minifix cap clockwise

ASSEMBLY INSTRUCTION

Item : N715P396294/N715P396295

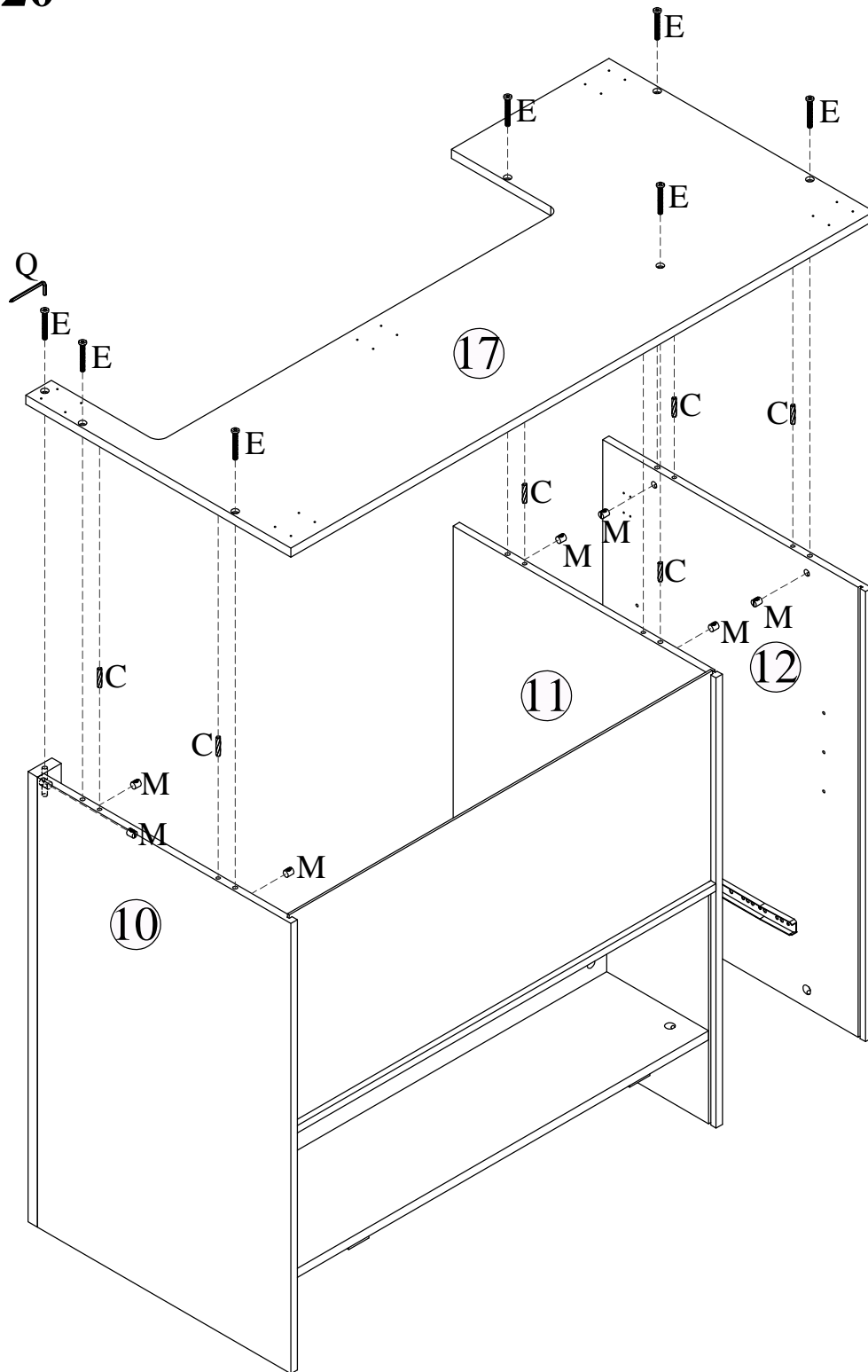
Step 19







ASSEMBLY INSTRUCTION

Item : N715P396294/N715P396295

Step 20

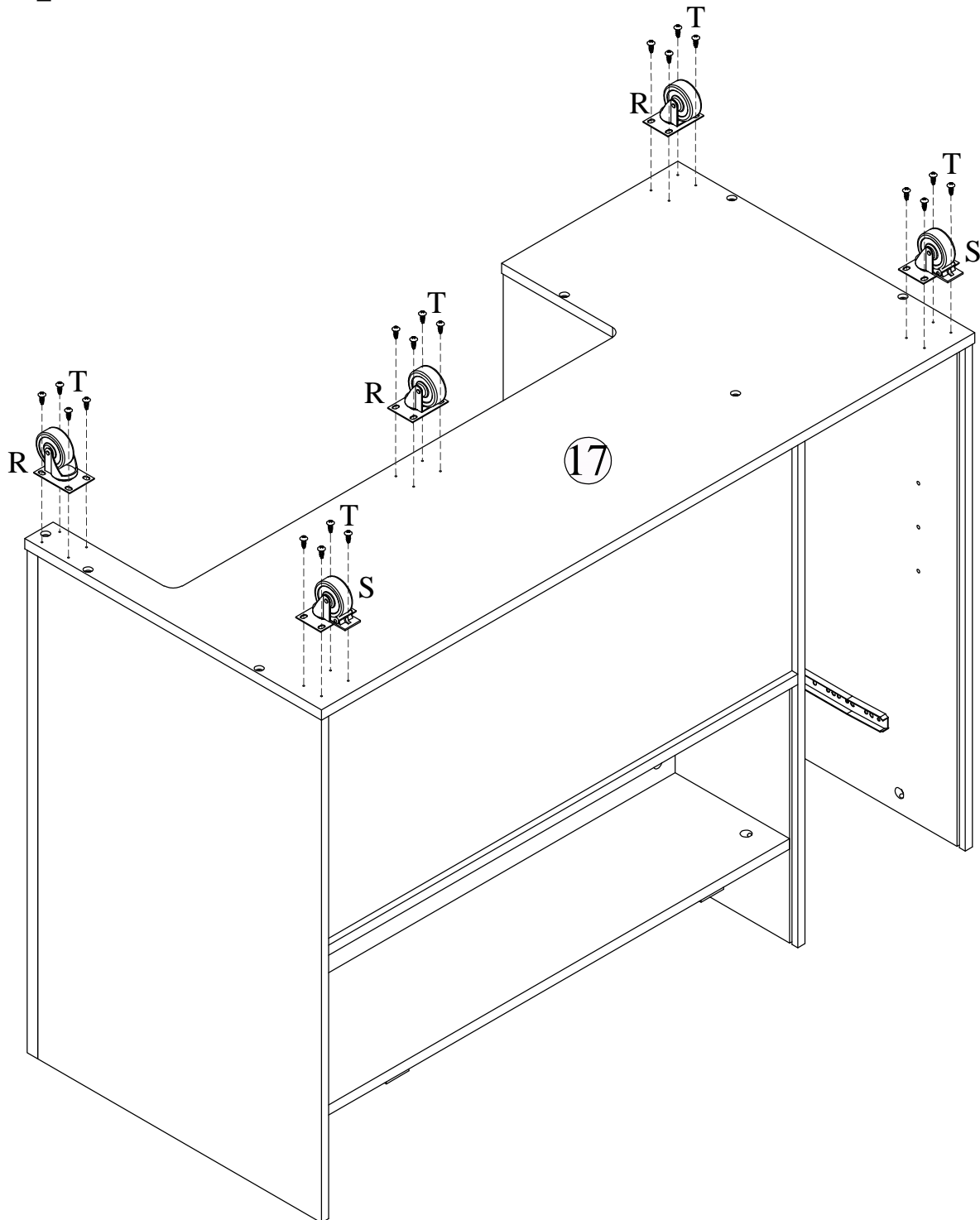


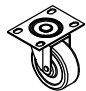


			
Ø6*30mm	M6*45mm	Ø10*10mm	
C X 6	E X 7	M X 7	Q X 1

ASSEMBLY INSTRUCTION

Item : N715P396294/N715P396295

Step 21

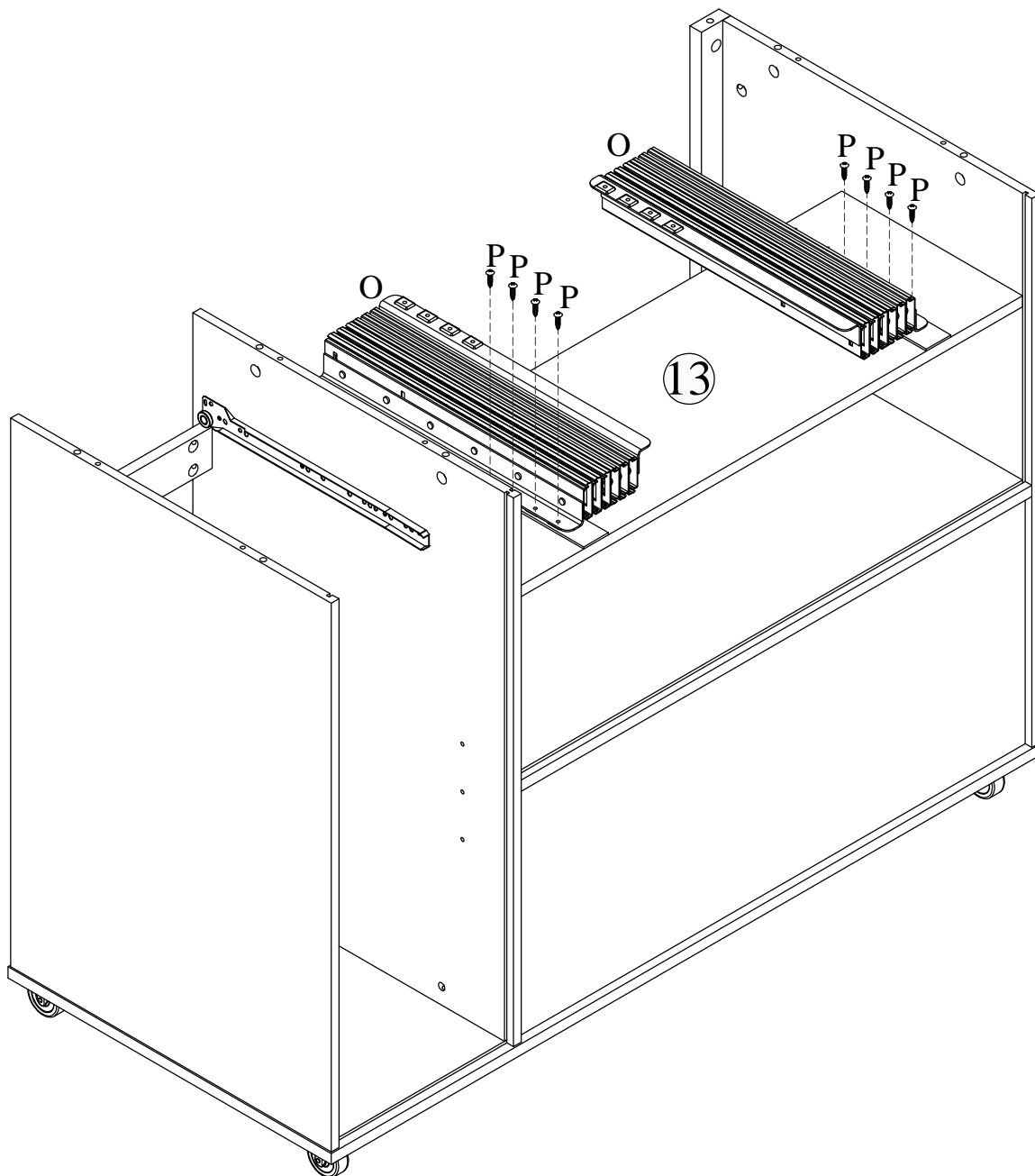




		 Ø4*14mm
R X 3	S X 2	T X 20

ASSEMBLY INSTRUCTION

Item : N715P396294/N715P396295

Step 22

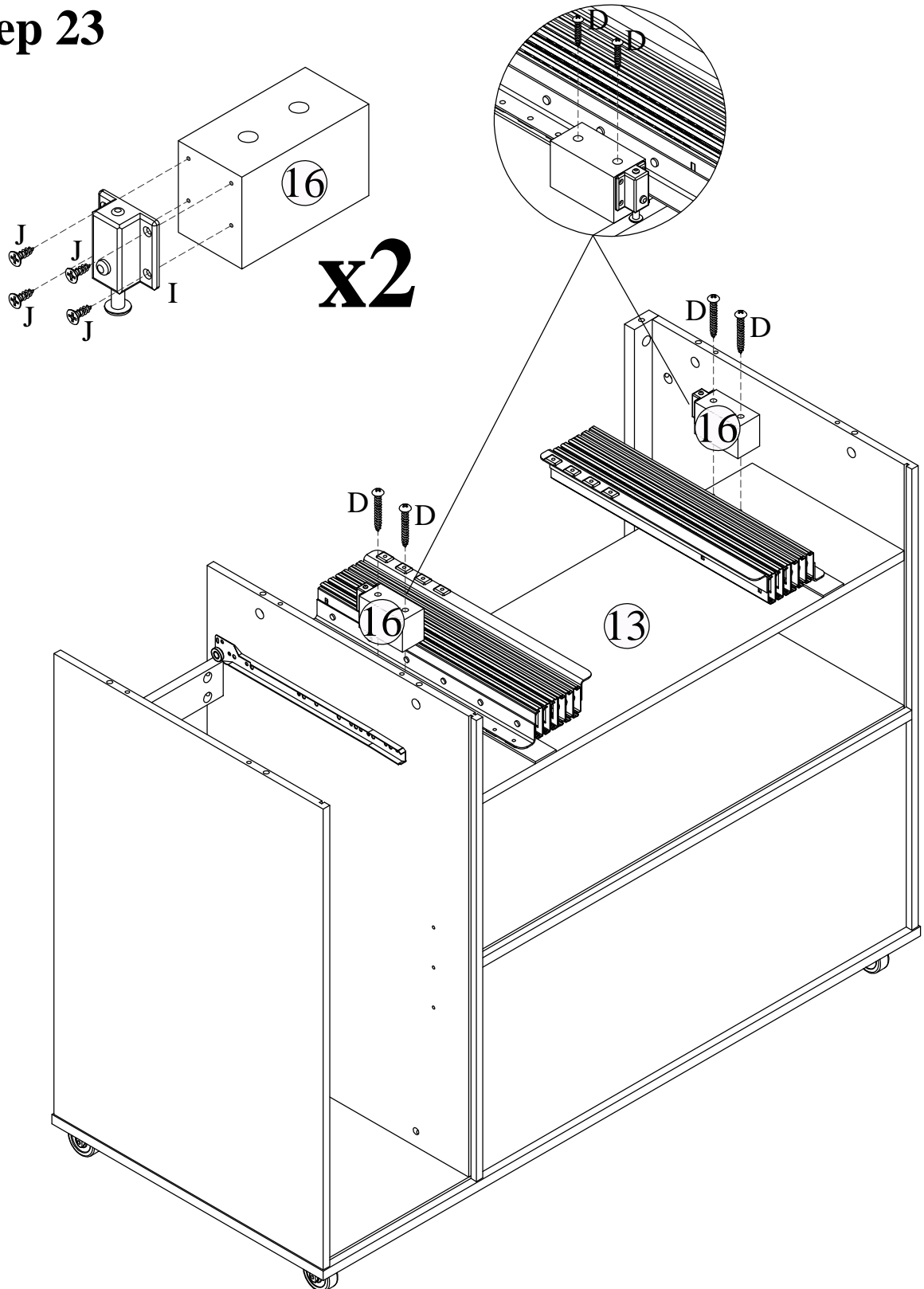



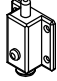

	
O X 2	P X 8

ASSEMBLY INSTRUCTION

Item : N715P396294/N715P396295

Step 23

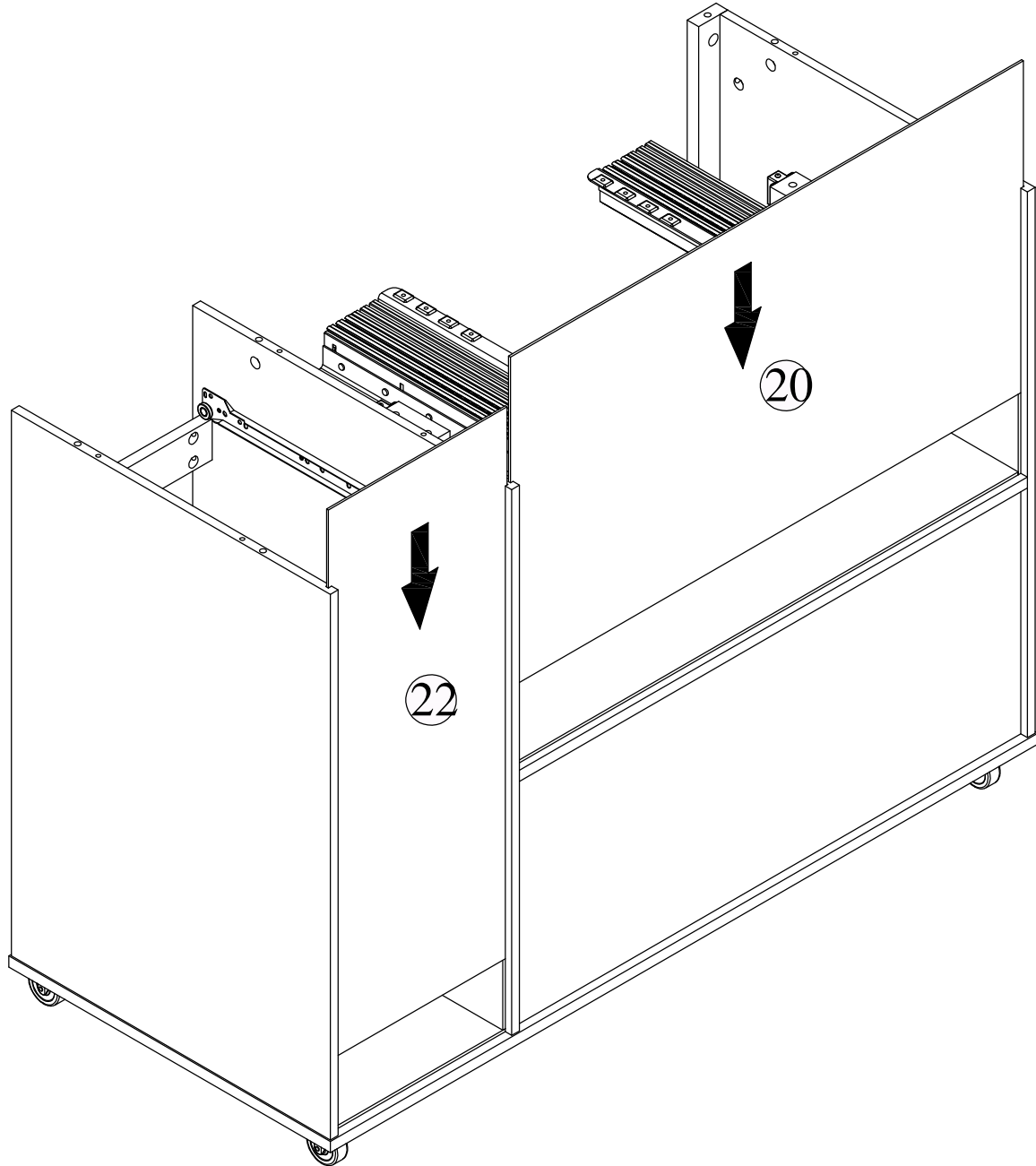


		
Ø4*35mm		Ø3*12mm
D X 4	I X 2	J X 8

ASSEMBLY INSTRUCTION

Item : N715P396294/N715P396295

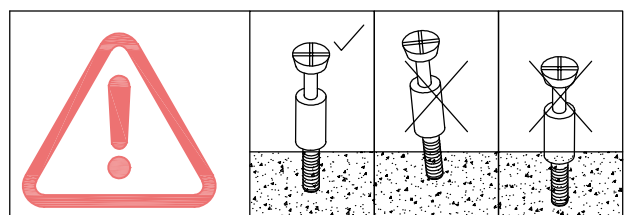
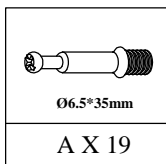
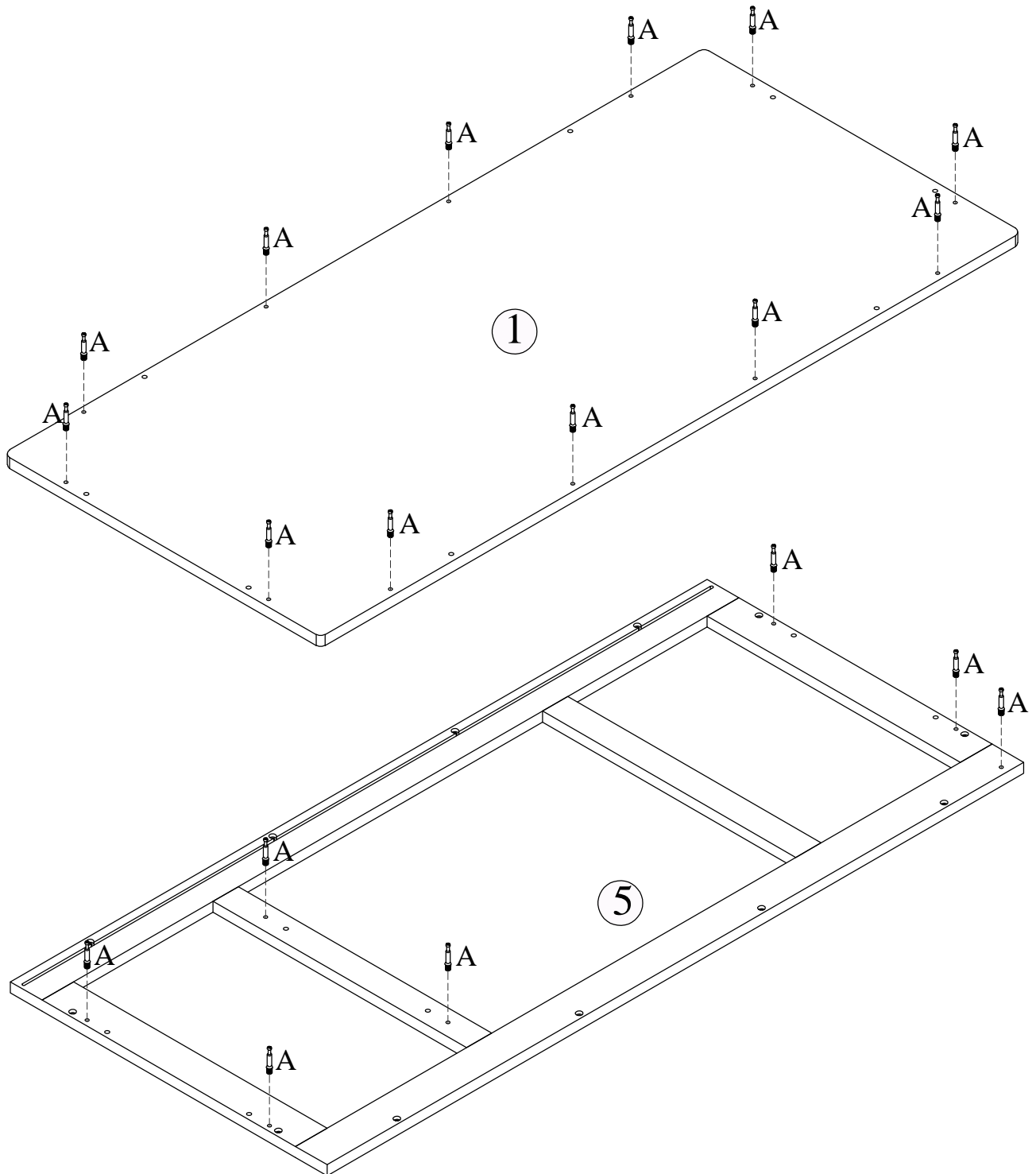
Step 24



ASSEMBLY INSTRUCTION

Item : N715P396294/N715P396295

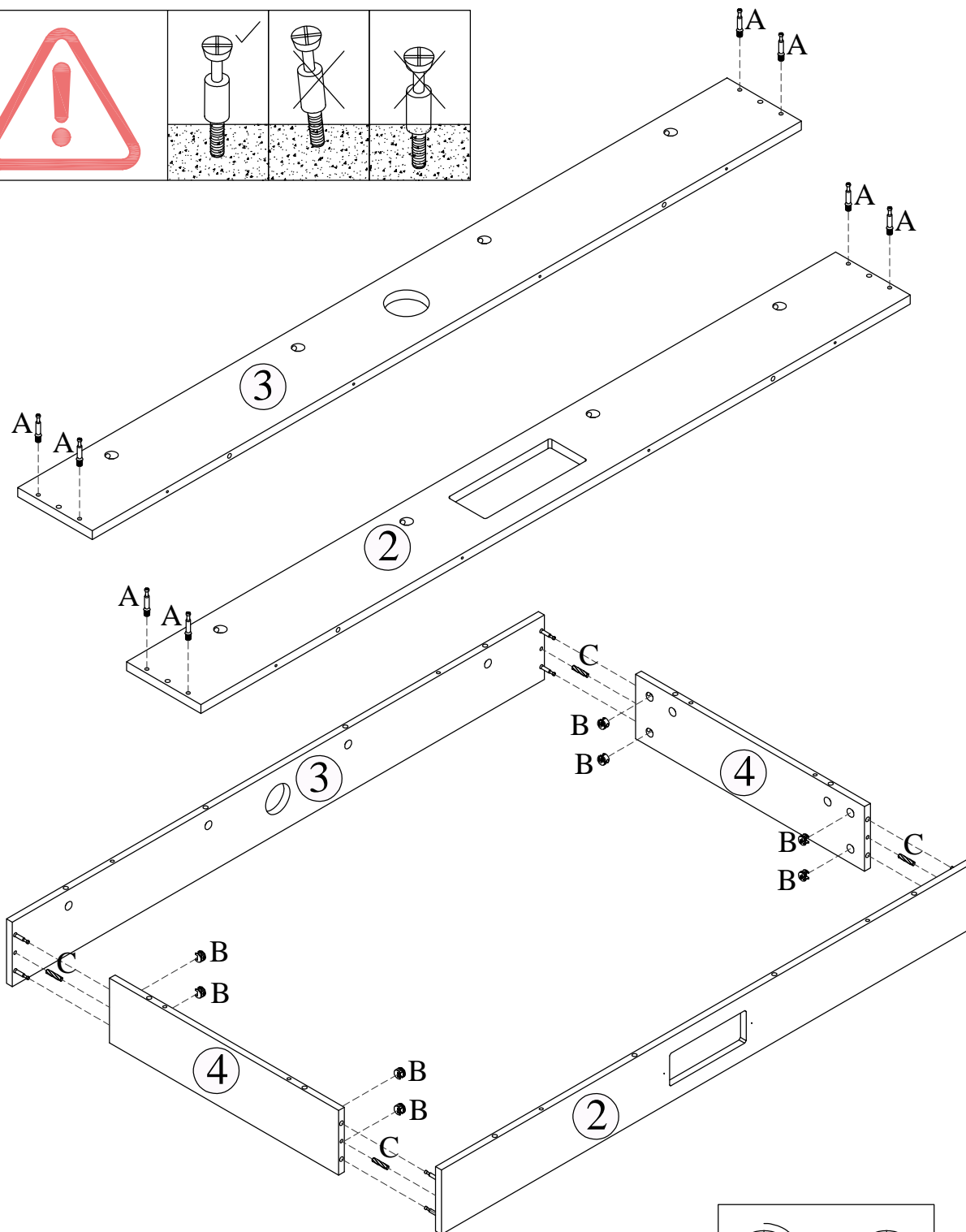
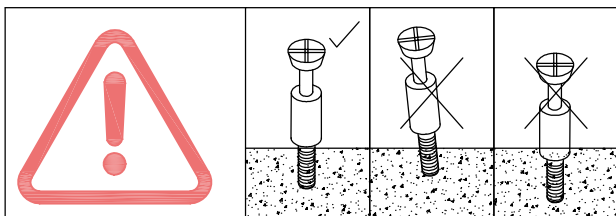
Step 25

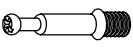

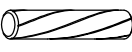


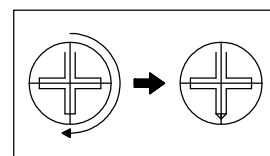
ASSEMBLY INSTRUCTION

Item : N715P396294/N715P396295

Step 26



		
Ø6.5*35mm	Ø15*9mm	Ø6*30mm
A X 8	B X 8	C X 4

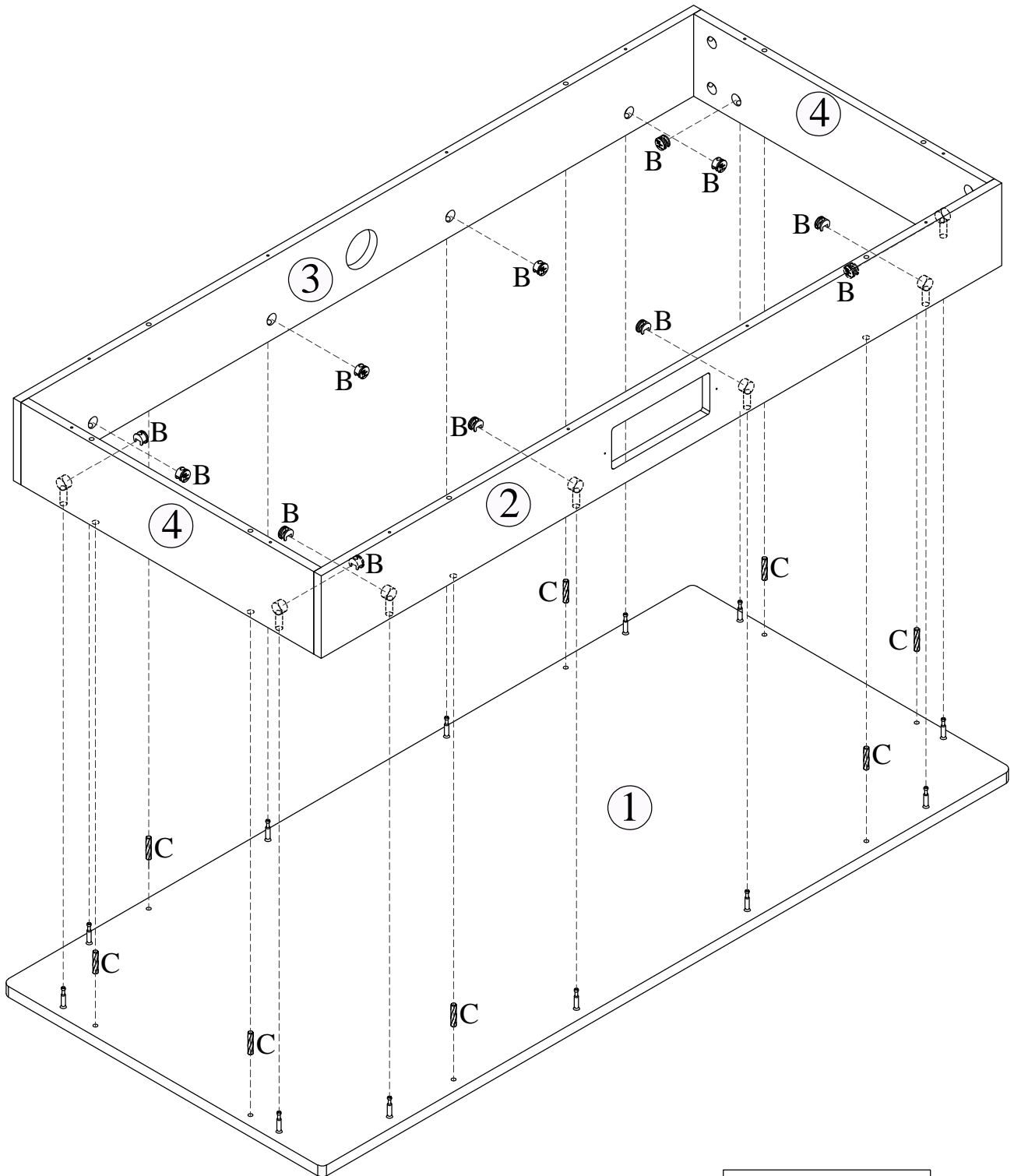



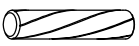
Lock Minifix cap clockwise

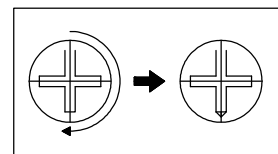
ASSEMBLY INSTRUCTION

Item : N715P396294/N715P396295

Step 27



	
Ø15*9mm	Ø6*30mm
B X 12	C X 8

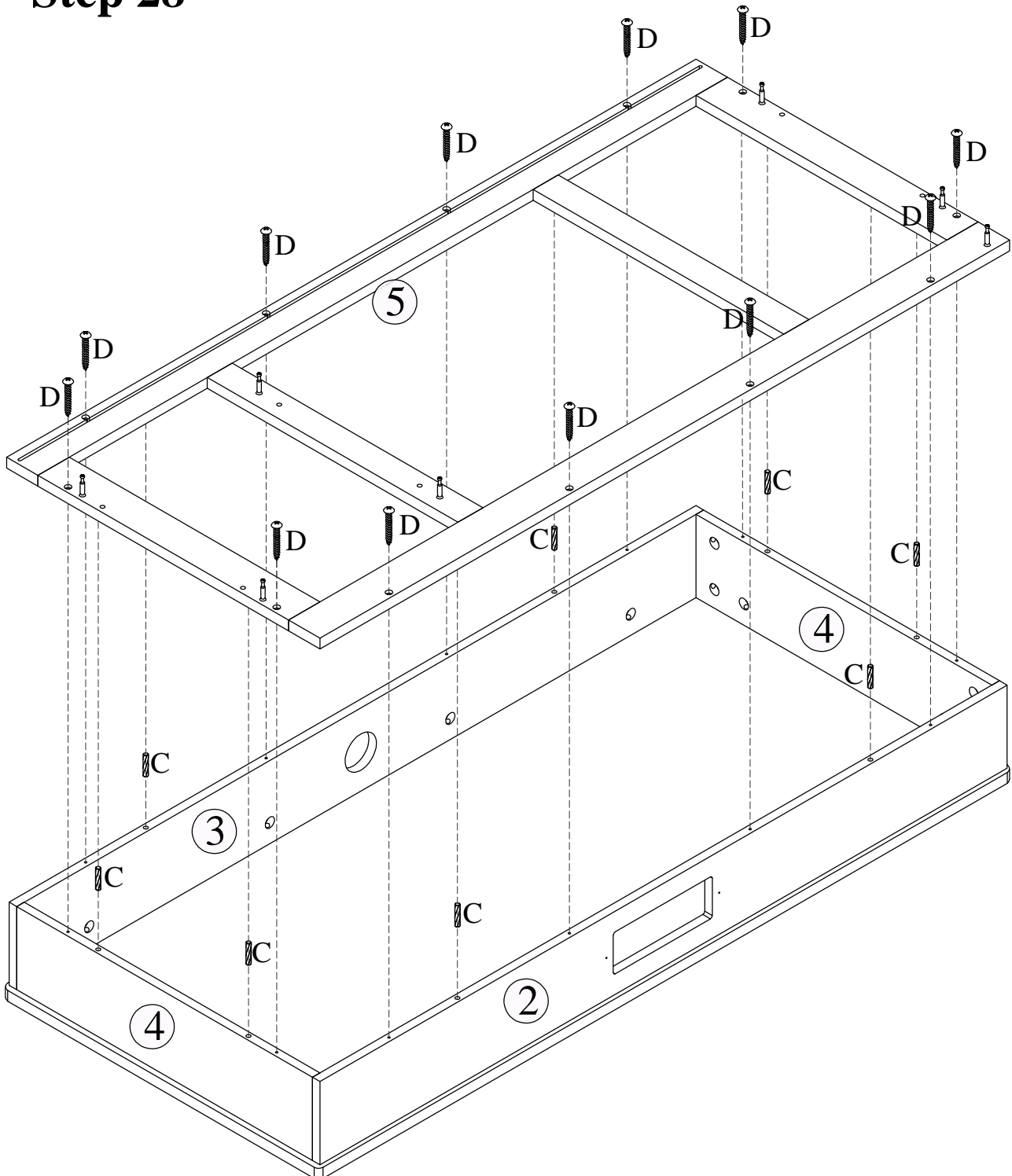


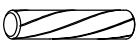

Lock Minifix cap clockwise

ASSEMBLY INSTRUCTION

Item : N715P396294/N715P396295

Step 28

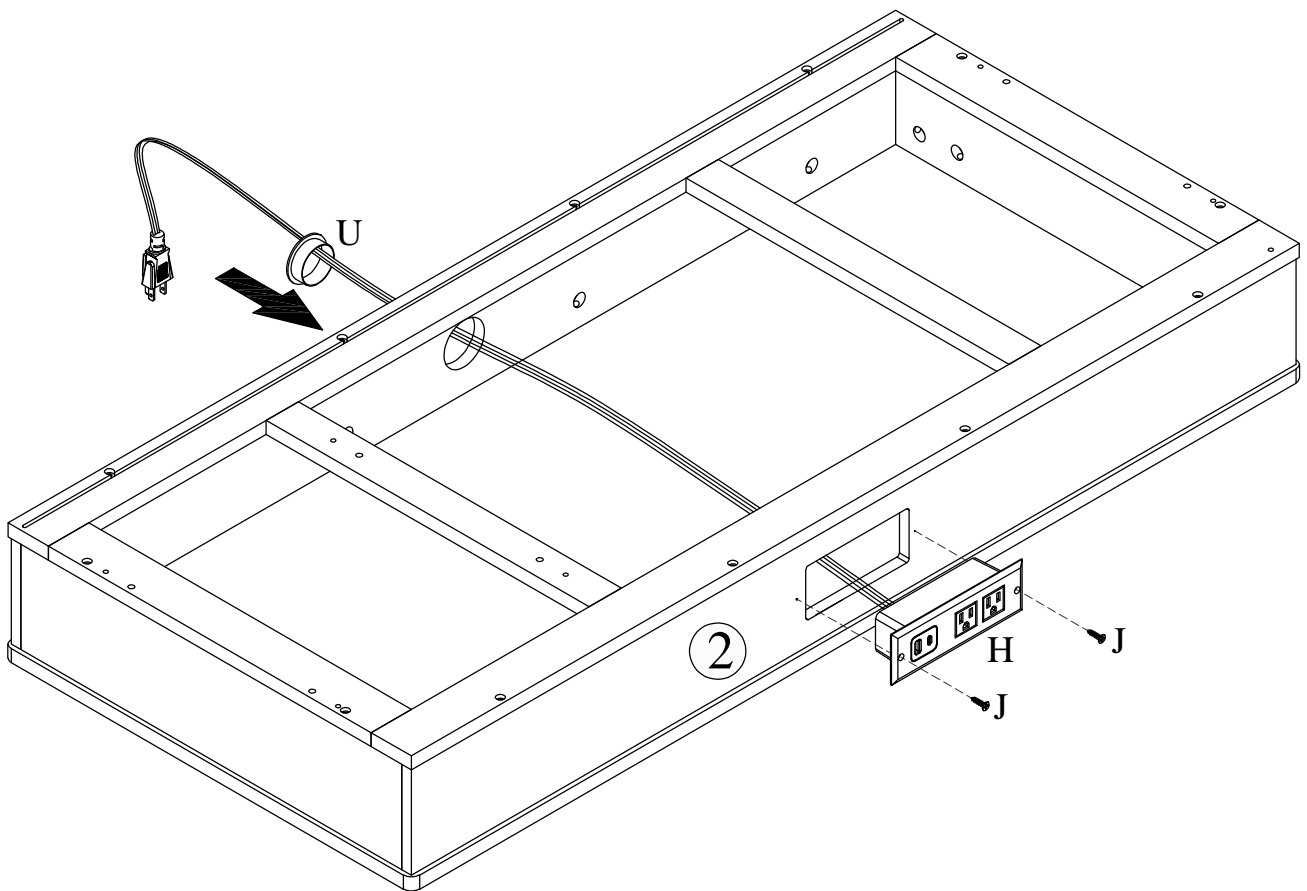





	
Ø6*30mm	Ø4*35mm
C X 8	D X 12

ASSEMBLY INSTRUCTION

Item : N715P396294/N715P396295

Step 29

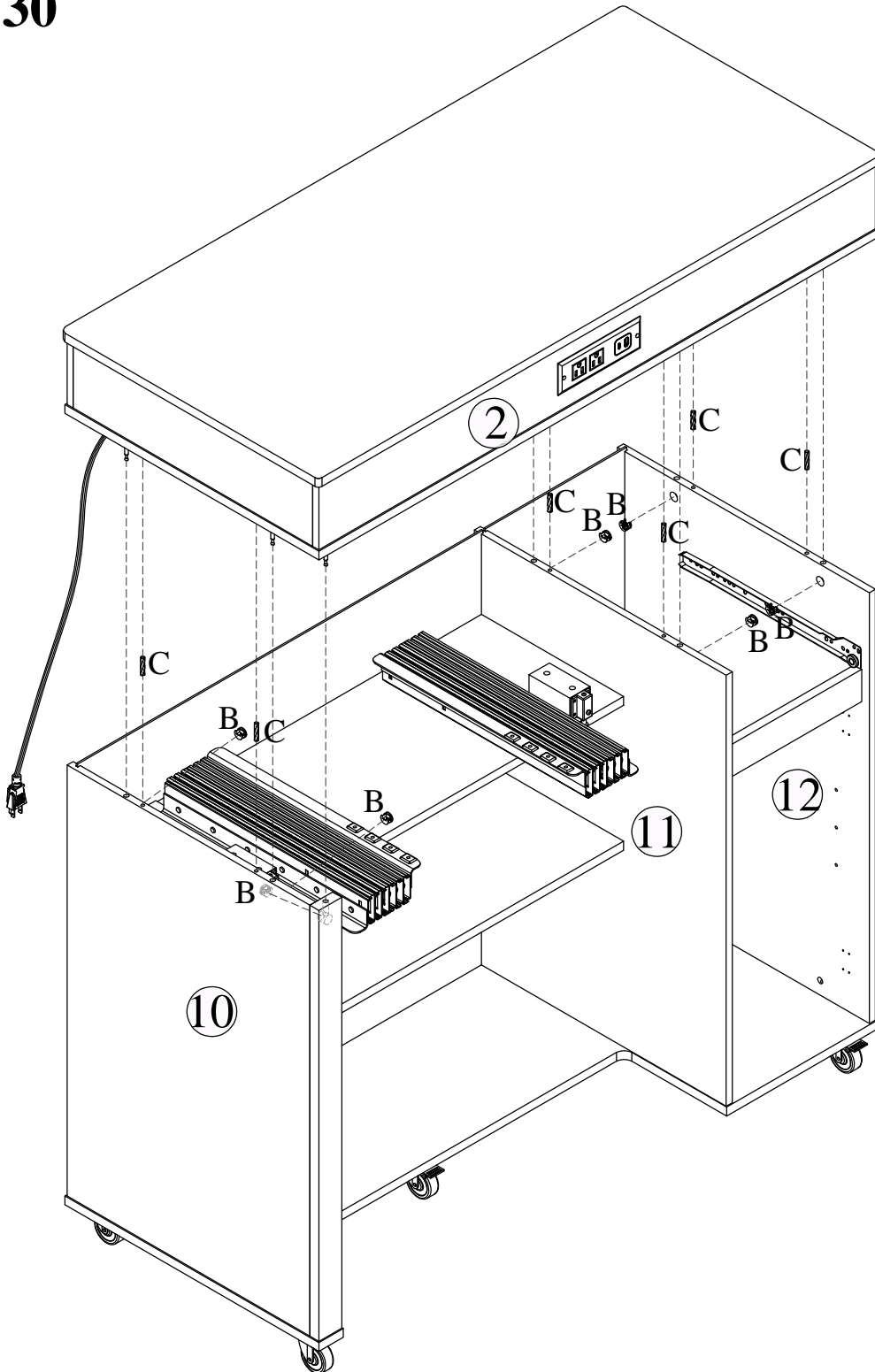



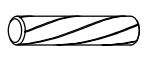
	 Ø3*12mm	
H X 1	J X 2	U X 1

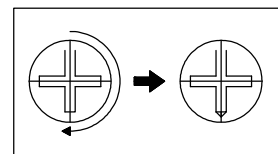
ASSEMBLY INSTRUCTION

Item : N715P396294/N715P396295

Step 30



	
Ø15*9mm	Ø6*30mm
B X 7	C X 6

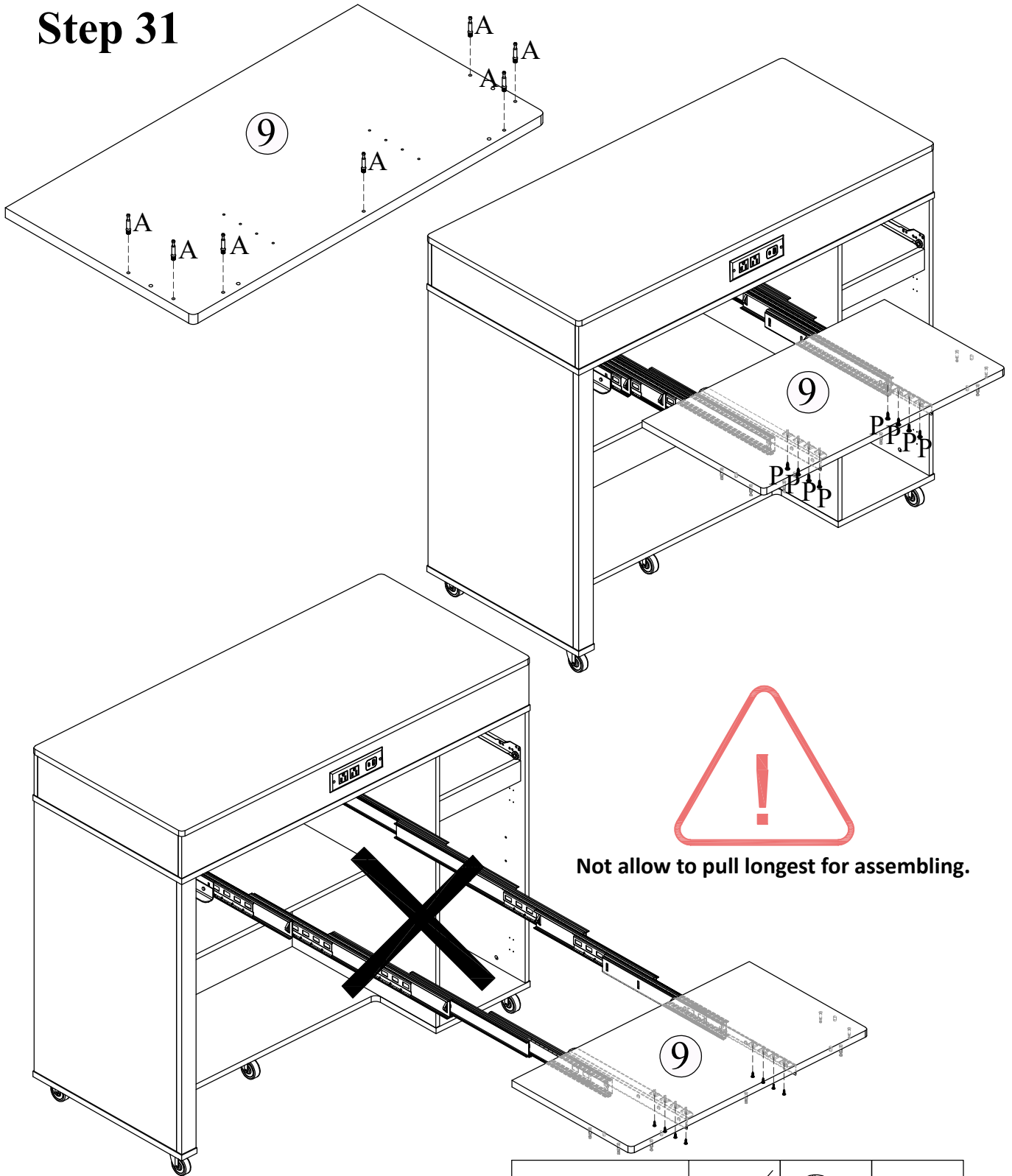


Lock Minifix cap clockwise

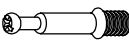

ASSEMBLY INSTRUCTION

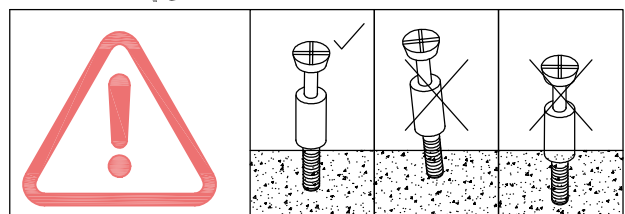
Item : N715P396294/N715P396295

Step 31



Not allow to pull longest for assembling.

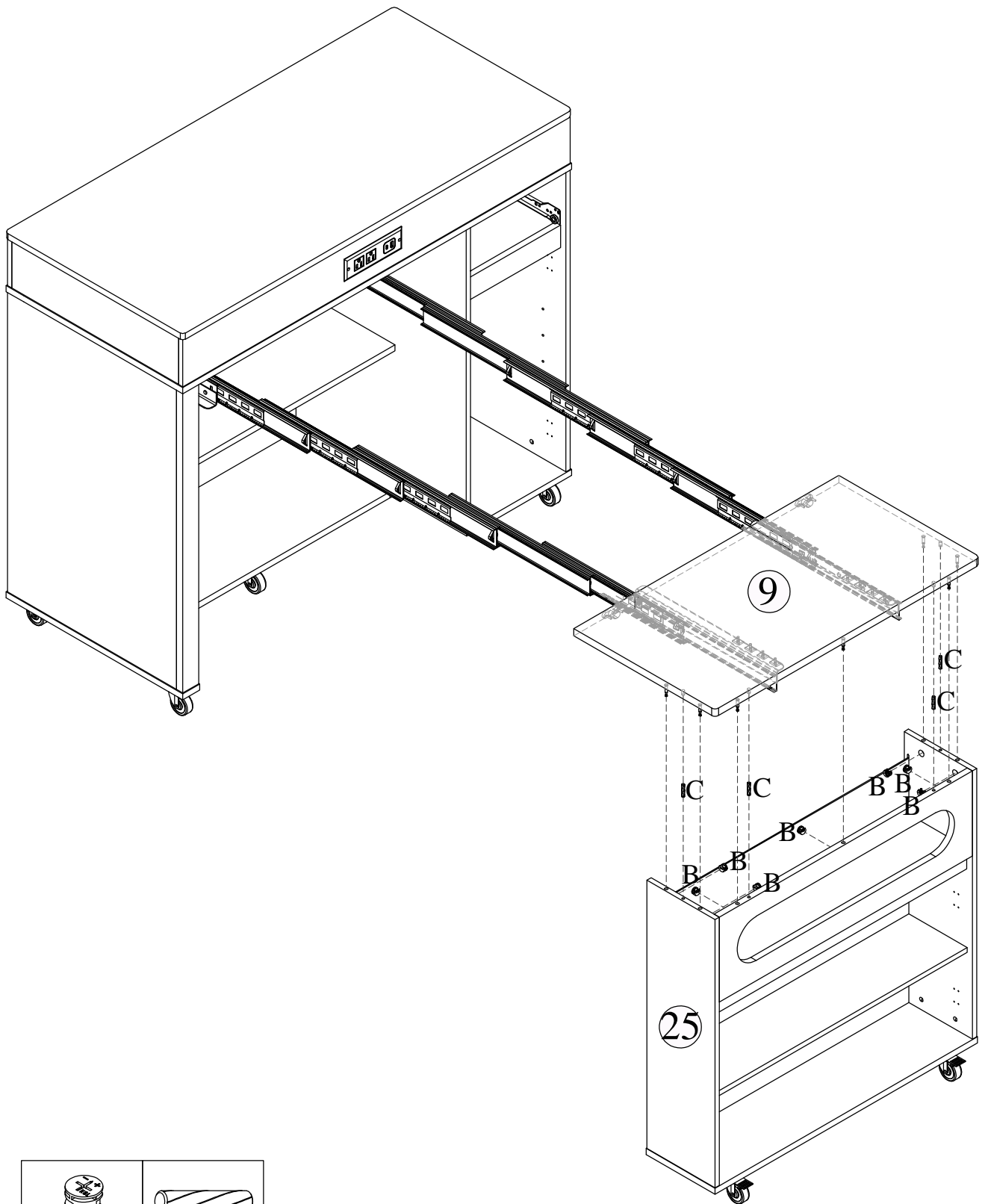
	
6.5*35mm	5*16mm
A X 7	P X 8





ASSEMBLY INSTRUCTION

Item : N715P396294/N715P396295

Step 32

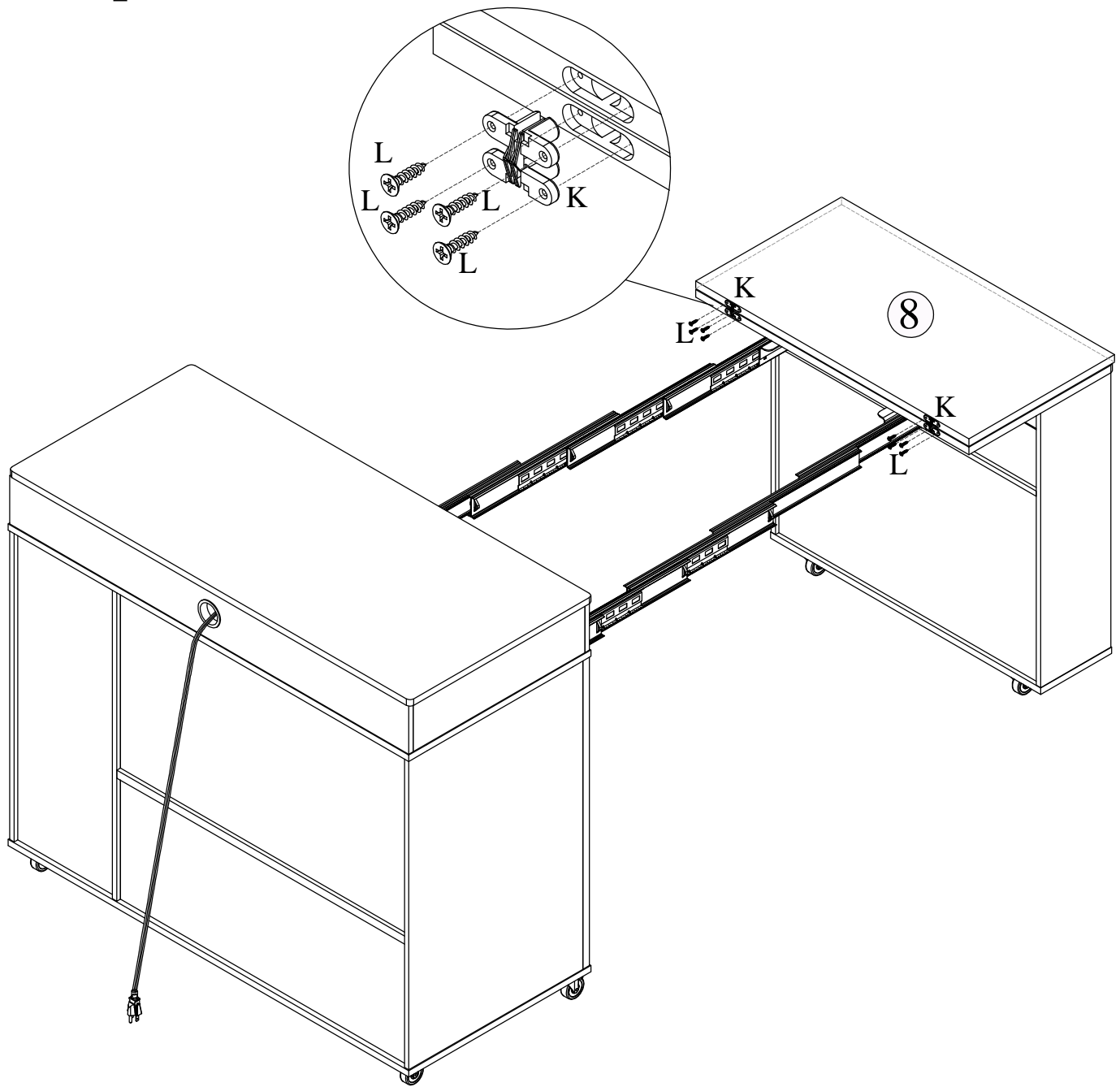




	
Ø15*9mm	Ø6*30mm
B X 7	C X 4

ASSEMBLY INSTRUCTION

Item : N715P396294/N715P396295

Step 33

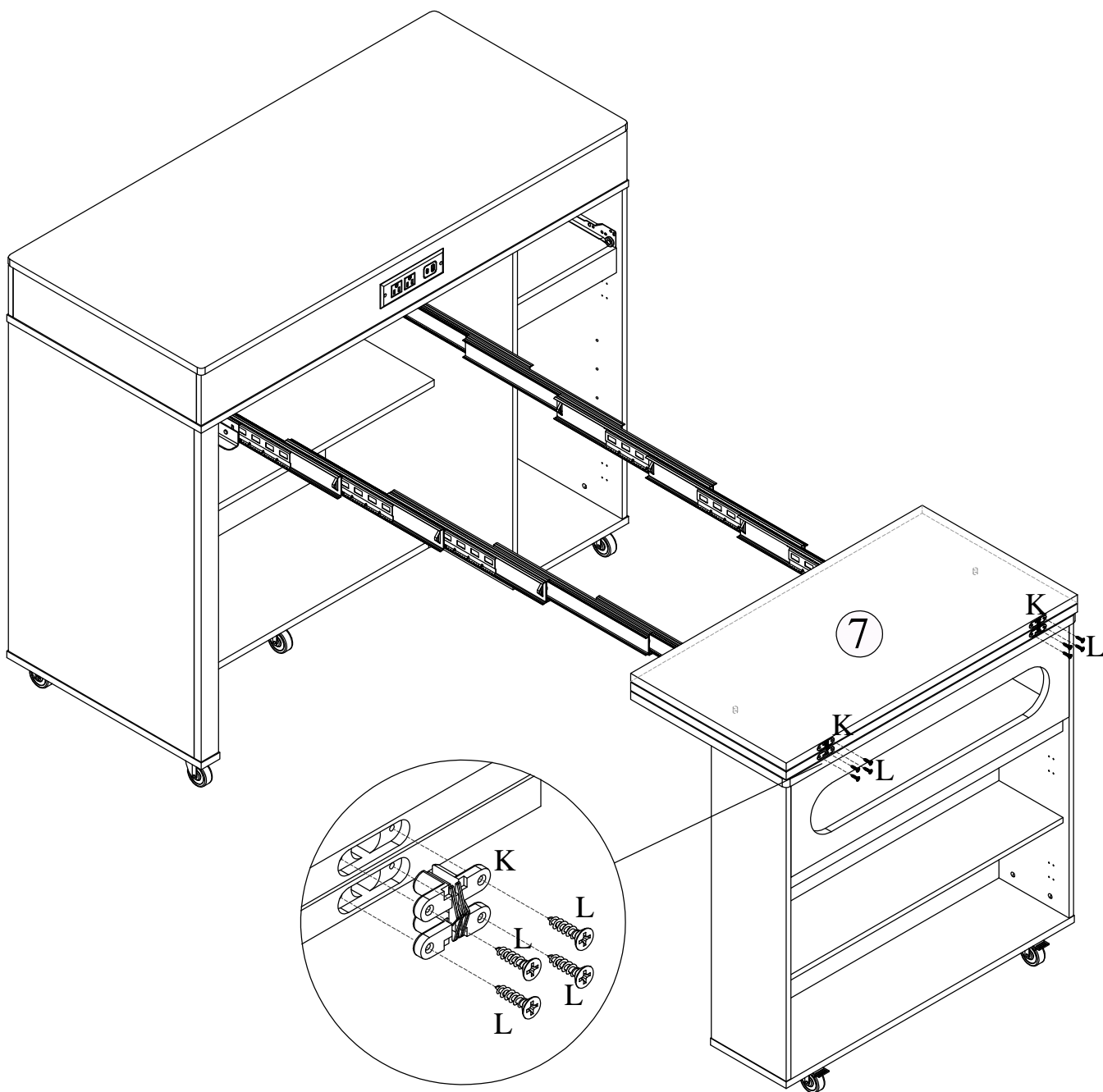




	
K X 2	L X 8 Ø4*19mm

ASSEMBLY INSTRUCTION

Item : N715P396294/N715P396295

Step 34

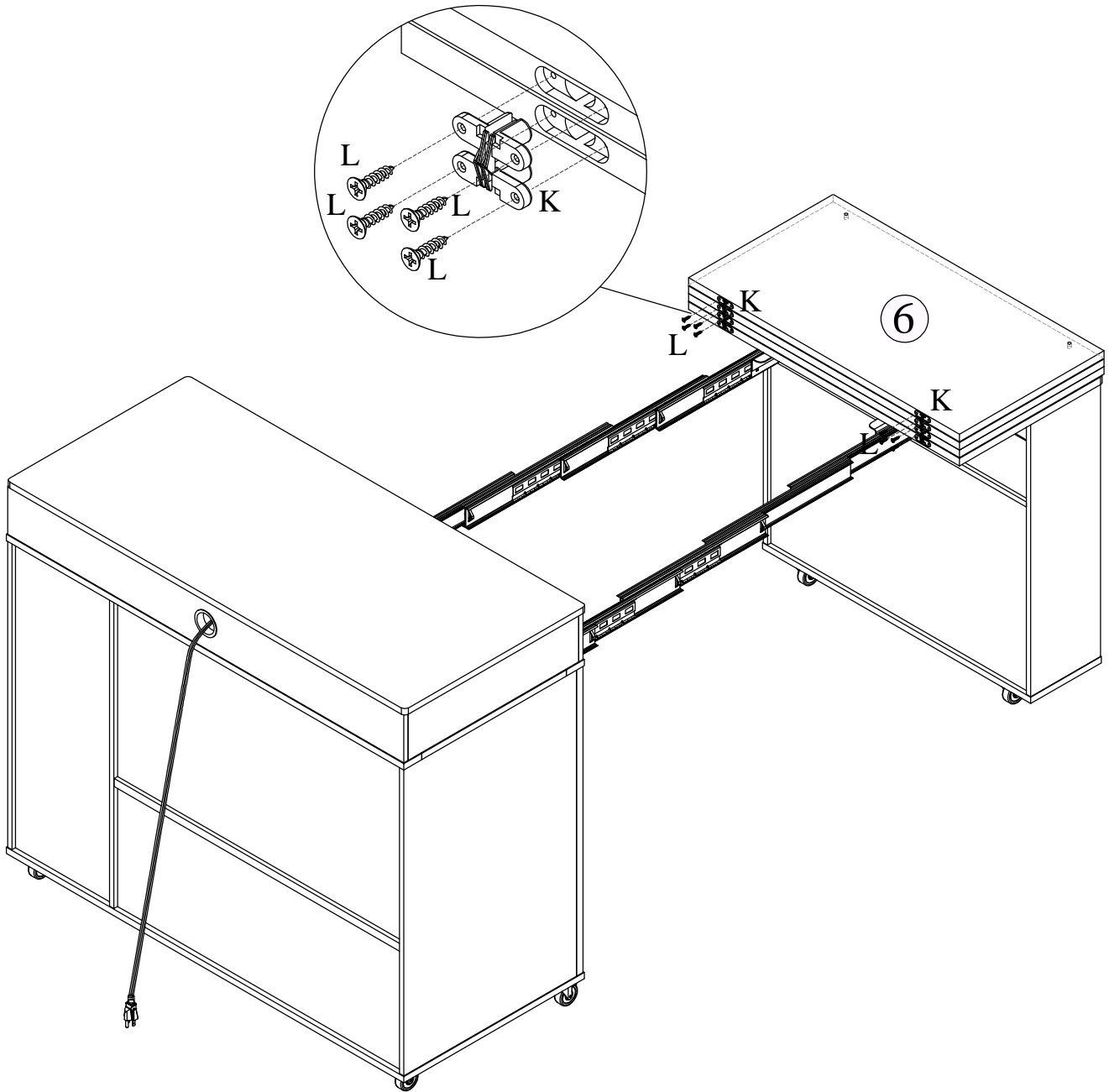


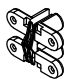

	
K X 2	04*19mm L X 8

ASSEMBLY INSTRUCTION

Item : N715P396294/N715P396295

Step 35

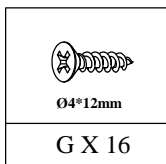
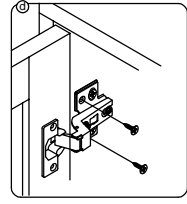
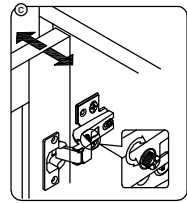
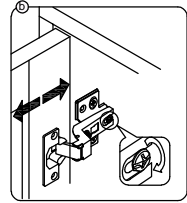
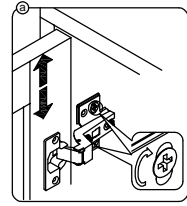
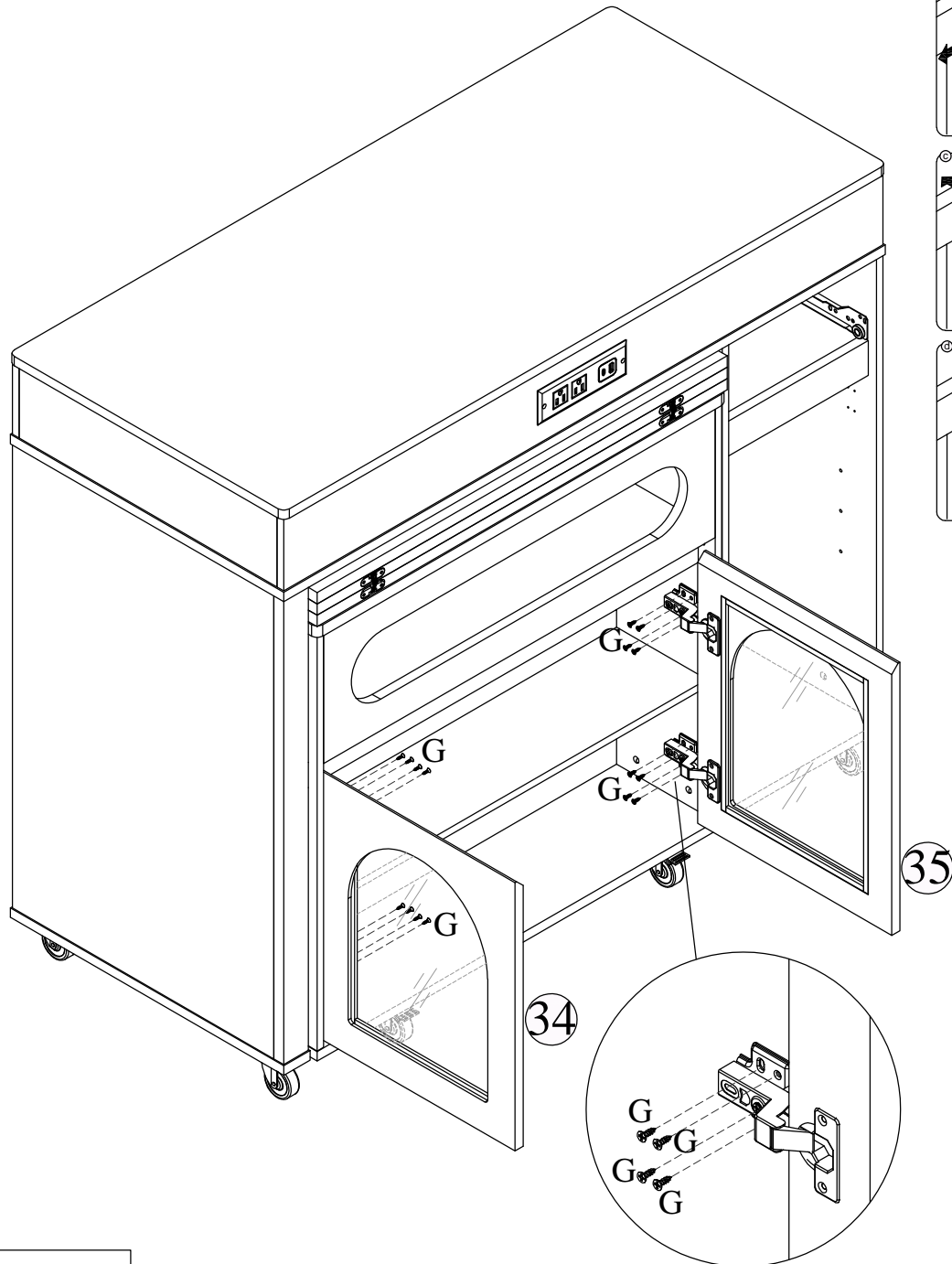


	
K X 2	04*19mm L X 8

ASSEMBLY INSTRUCTION

Item : N715P396294/N715P396295

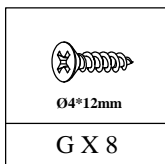
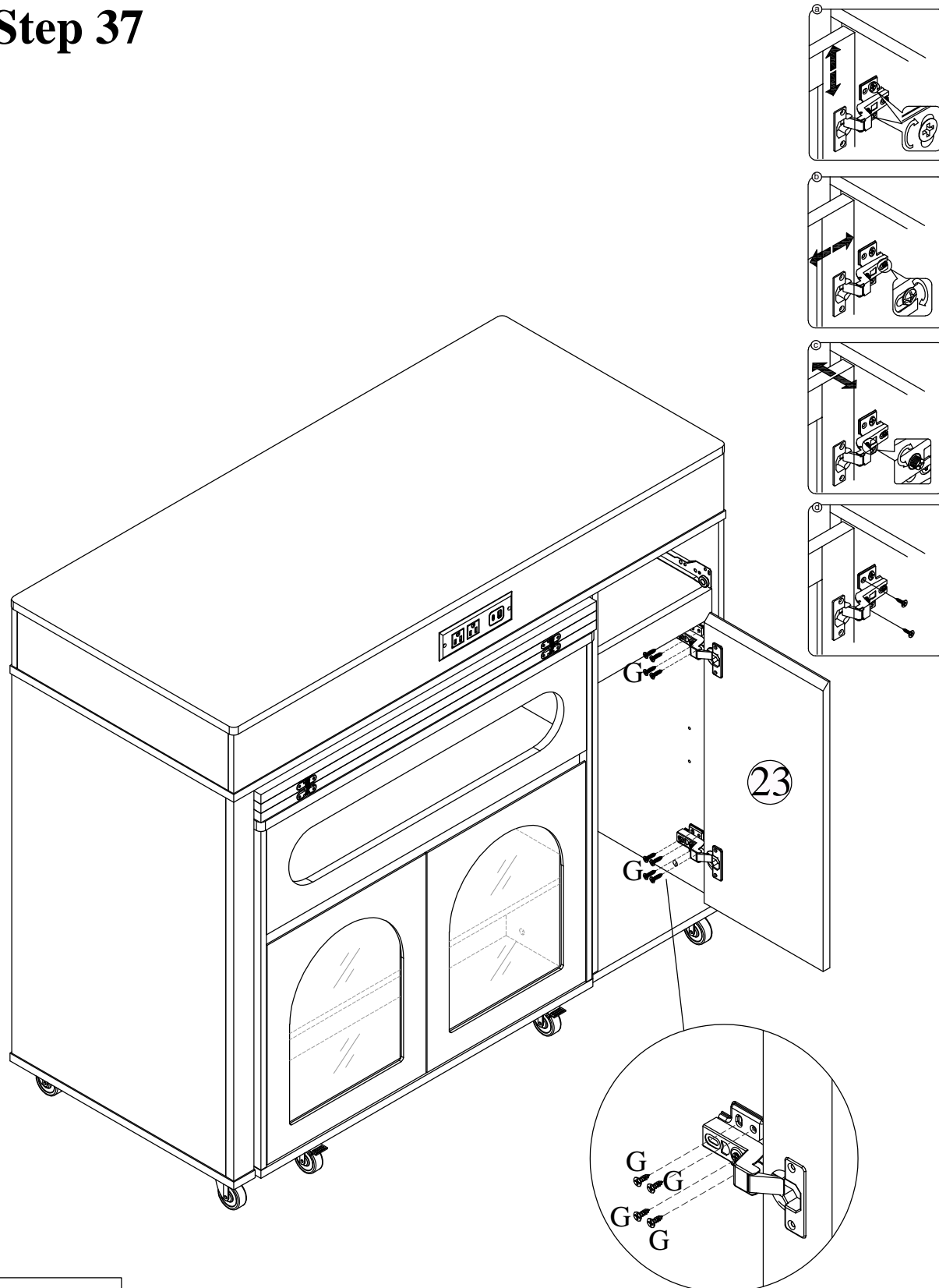
Step 36



ASSEMBLY INSTRUCTION

Item : N715P396294/N715P396295

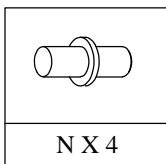
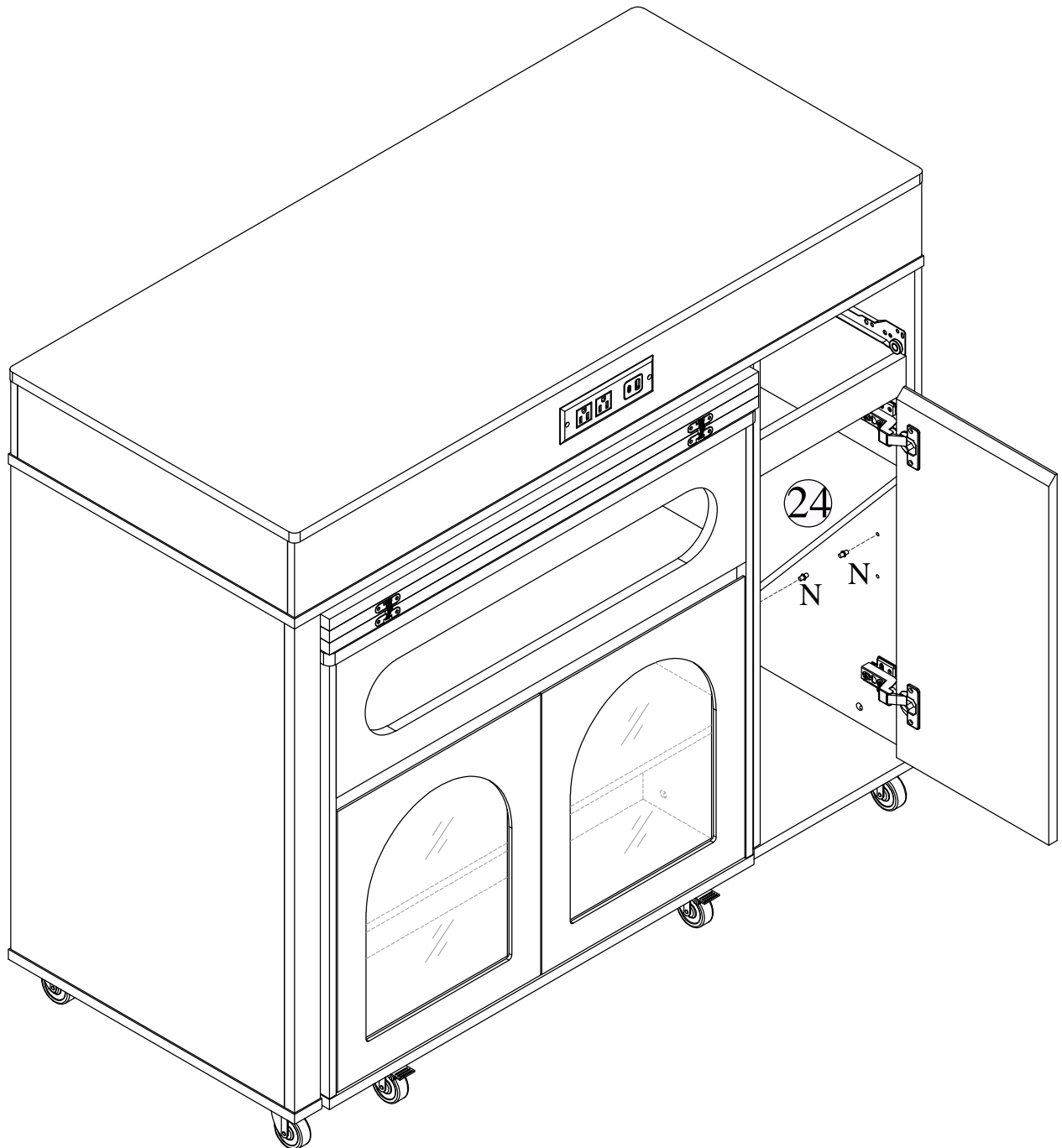
Step 37



ASSEMBLY INSTRUCTION

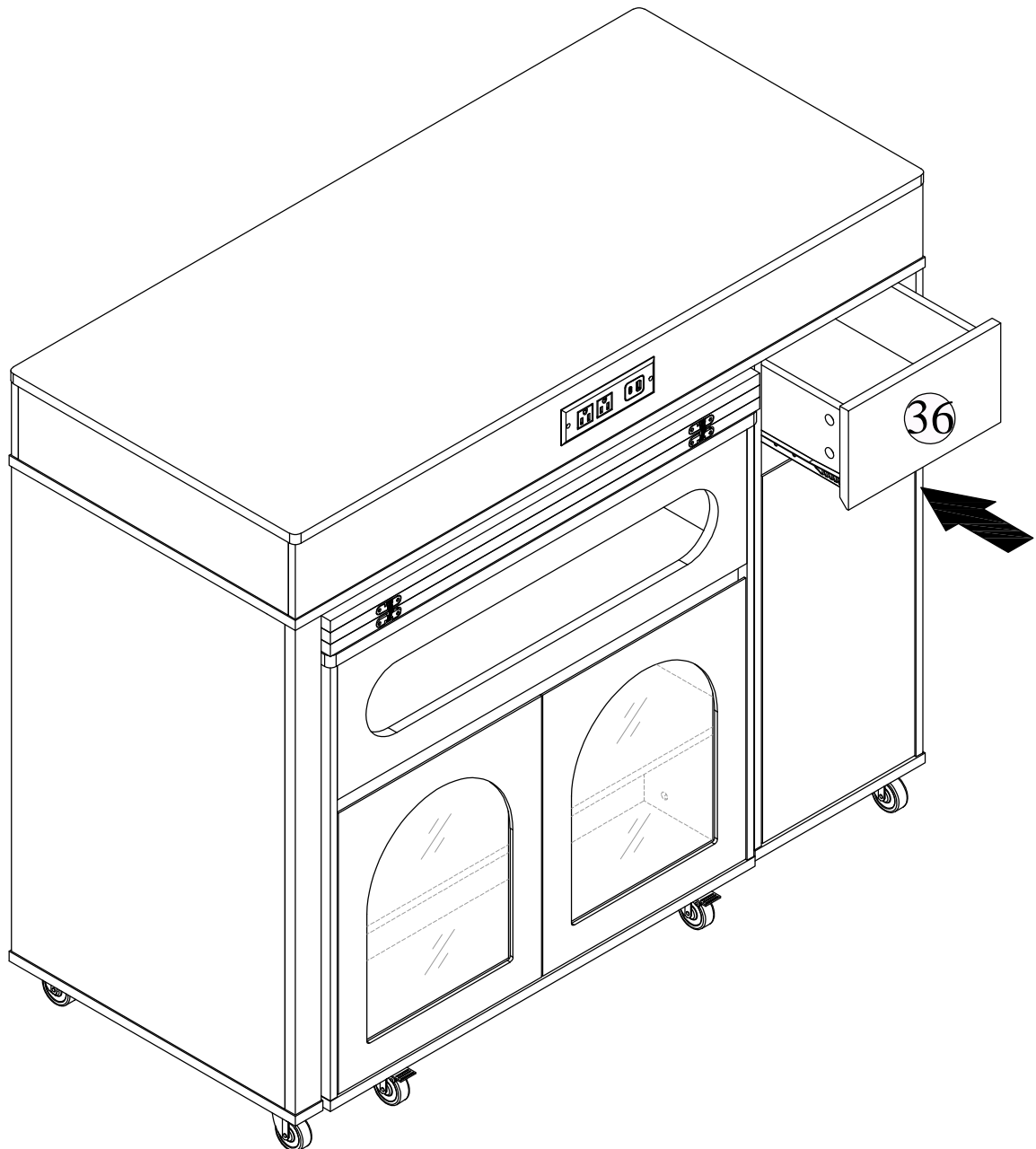
Item : N715P396294/N715P396295

Step 38



ASSEMBLY INSTRUCTION
Item : N715P396294/N715P396295

Step 39



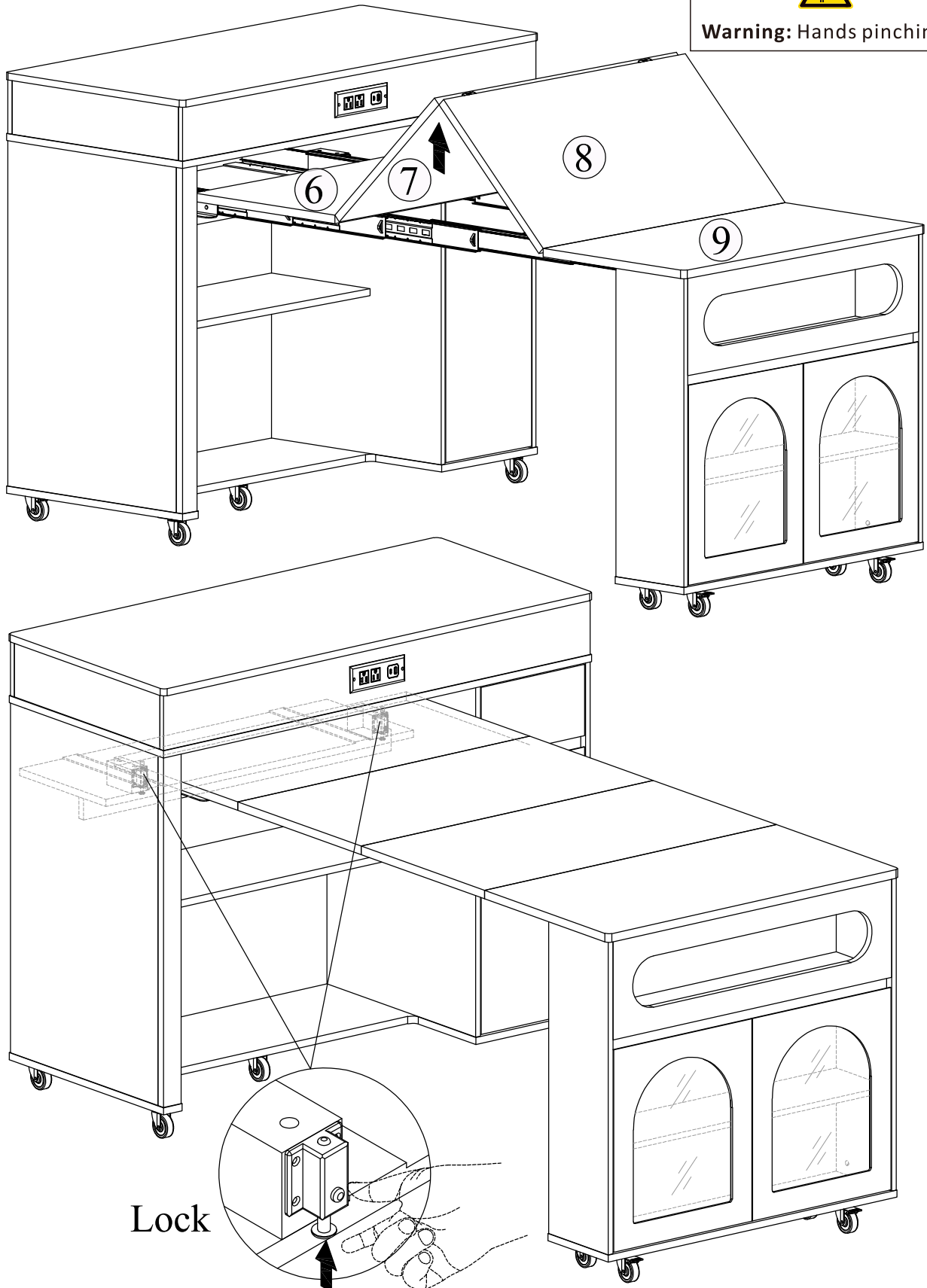
ASSEMBLY INSTRUCTION

Item : N715P396294/N715P396295

Step 40 Option 1:



Warning: Hands pinching.

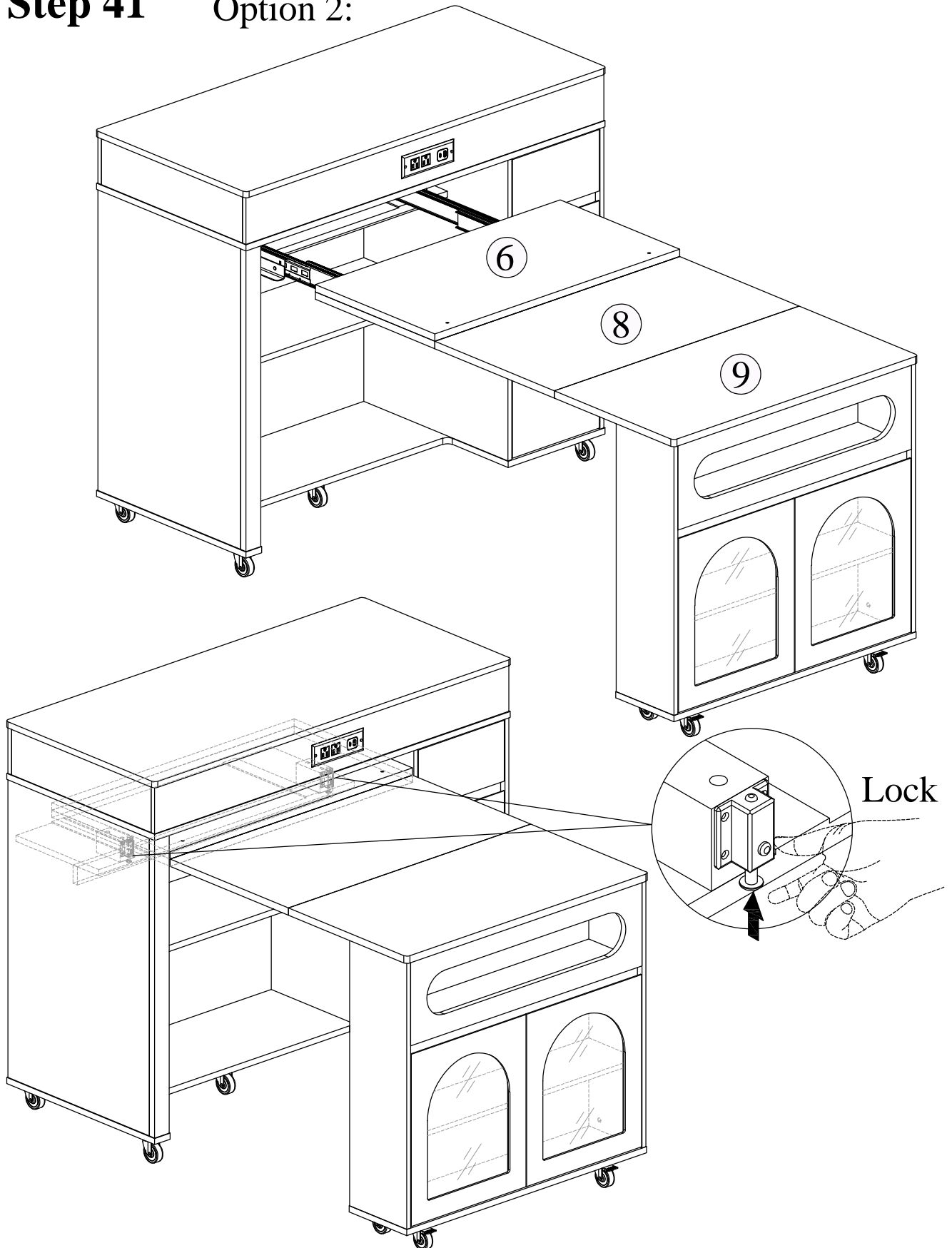


Lock

ASSEMBLY INSTRUCTION

Item : N715P396294/N715P396295

Step 41 Option 2:



ASSEMBLY INSTRUCTION

Item : N715P396294/N715P396295

Step 42 Option 3:



Warning: Hands pinching.

