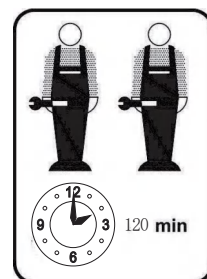
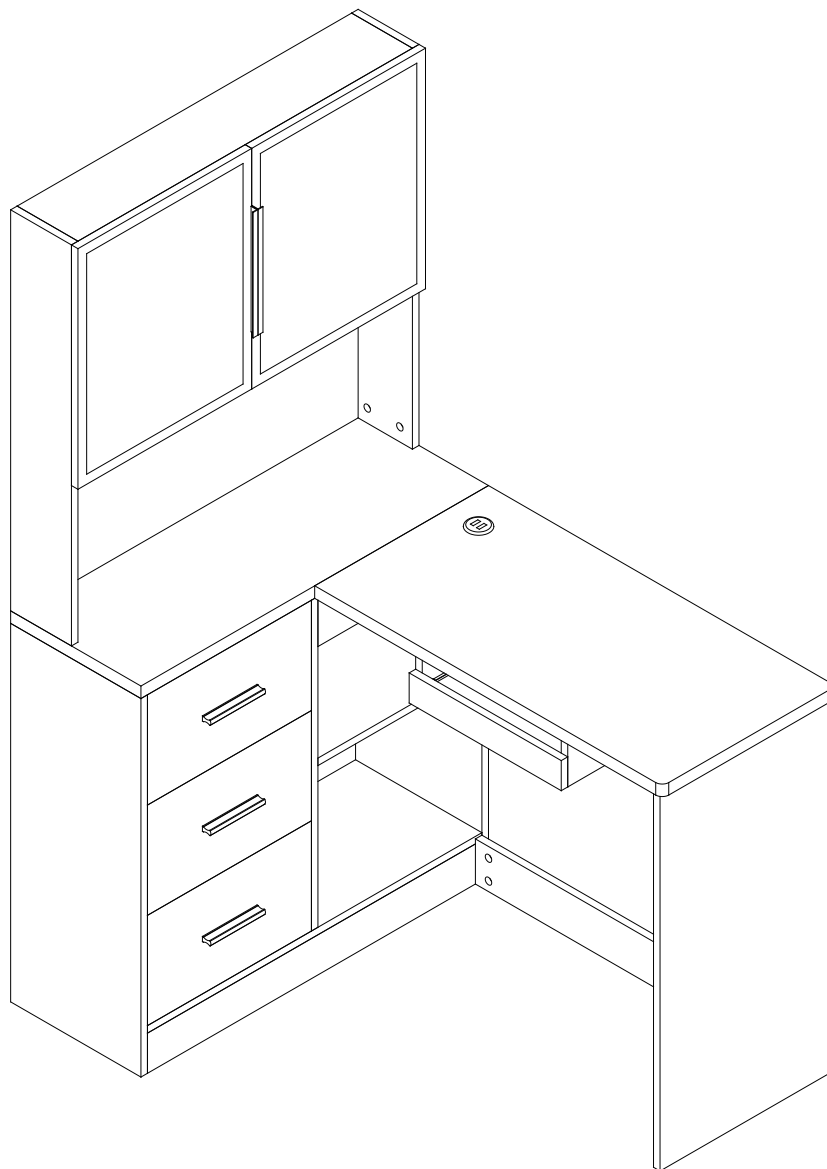
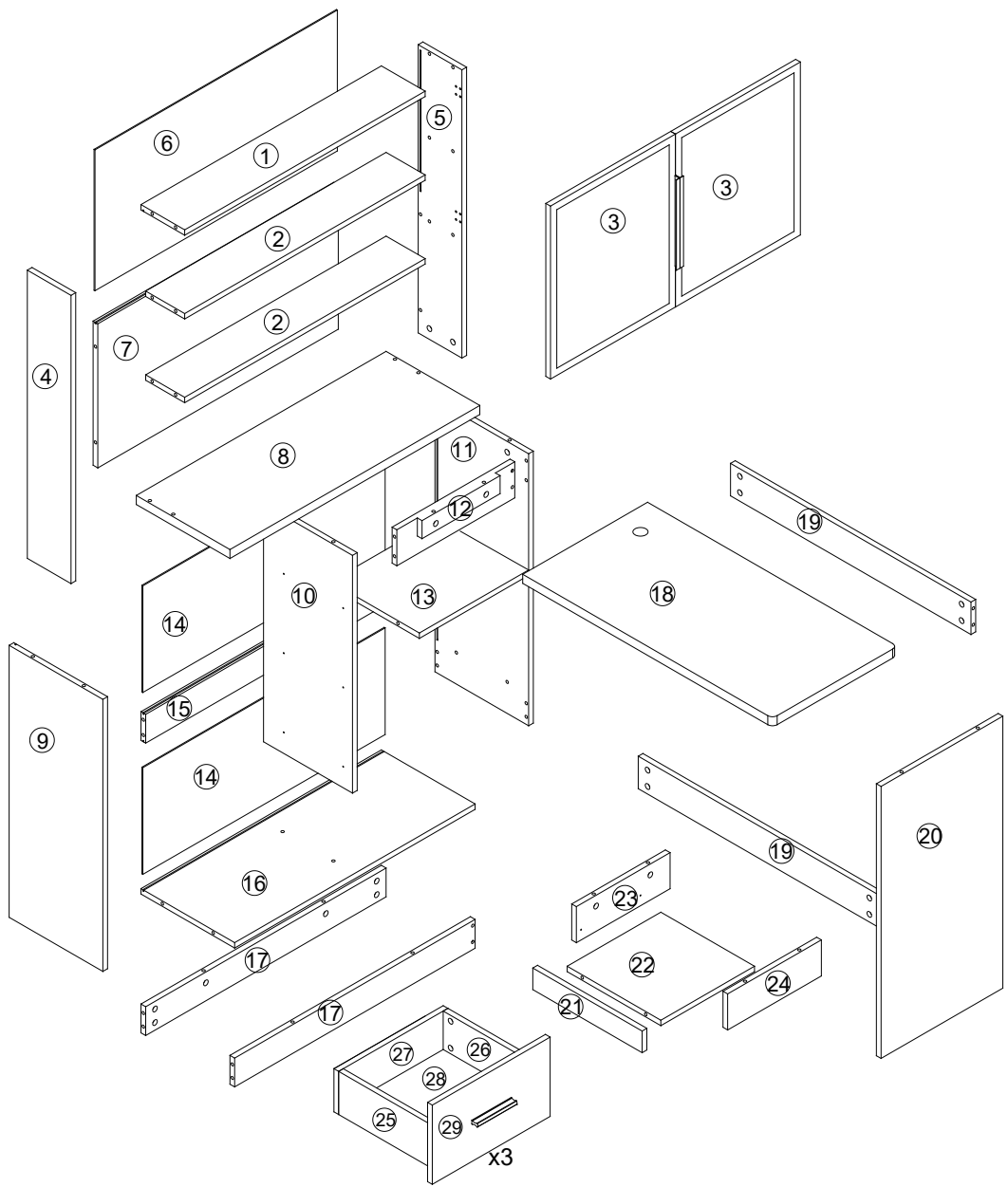


INSTALLATION MANUAL



! SAFETY WARNINGS !

1. Please read the instructions fully before assembly. These instructions include important information which could ensure correct assembly. We have been working on providing high quality products for you. However, in the rare instance that your product is defective, missing parts or there are some issues, please don't hesitate to contact our customer service to submit parts requirements, assembly suggestion, or warranty claims, and we will give the best solution as soon as possible. If necessary, we need you to provide some more clear pictures of the issue.
2. Insert the screws in holes and tighten the screws, but not too tight, 70% is ok, finally tighten all the screws. If some issues happened that some screws can not target to the hole or some parts are difficult to install, please adjust the tightness of the screws.
3. 2 people are recommended to finish.



1 - x1	8 - x1	15 - x1	22 - x1	29 - x3
2 - x2	9 - x1	16 - x1	23 - x1	
3 - x3	10 - x1	17 - x2	24 - x1	
4 - x1	11 - x1	18 - x1	25 - x3	
5 - x1	12 - x1	19 - x2	26 - x3	
6 - x1	13 - x1	20 - x1	27 - x3	
7 - x1	14 - x2	21 - x1	28 - x3	



Ax98



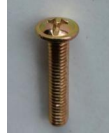
Bx98



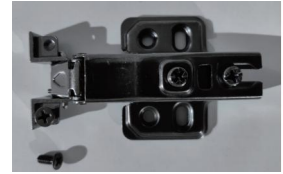
Cx48



Dx3



Ex6



Fx4



Hx2



Gx1



CLx4



CRx4



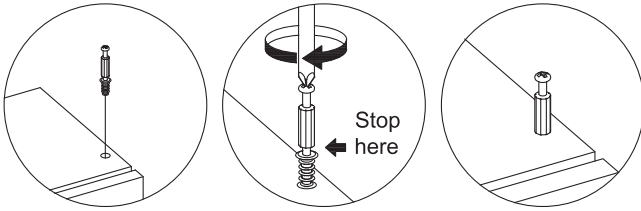
DLx4



DRx4

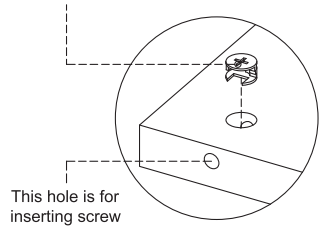
1. Screw installation method

When the screw is installed, please keep it in line with the board, and do not tighten it too tightly

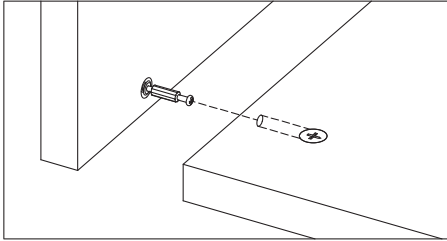


2. Check the Nut direction

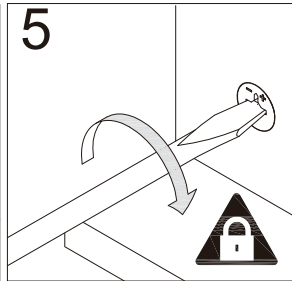
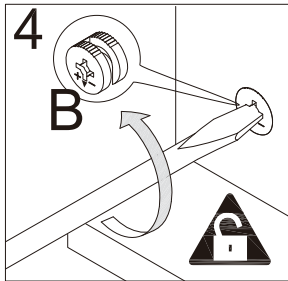
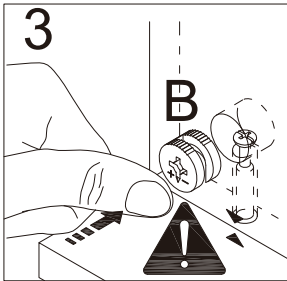
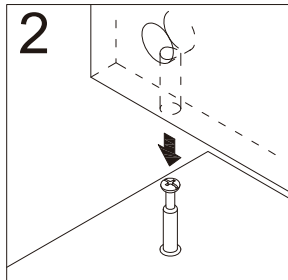
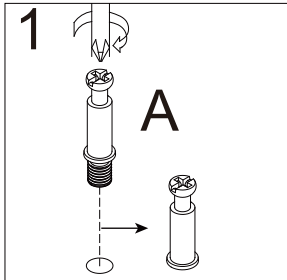
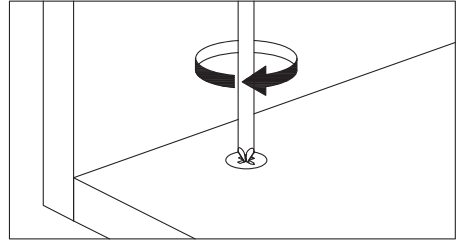
This direction of the marked nut is consistent with the direction in which the screw is inserted



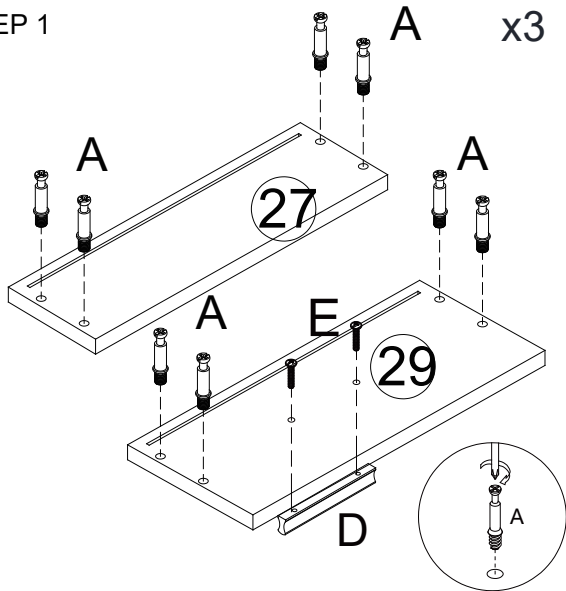
3. Installation on the board with fixing screws



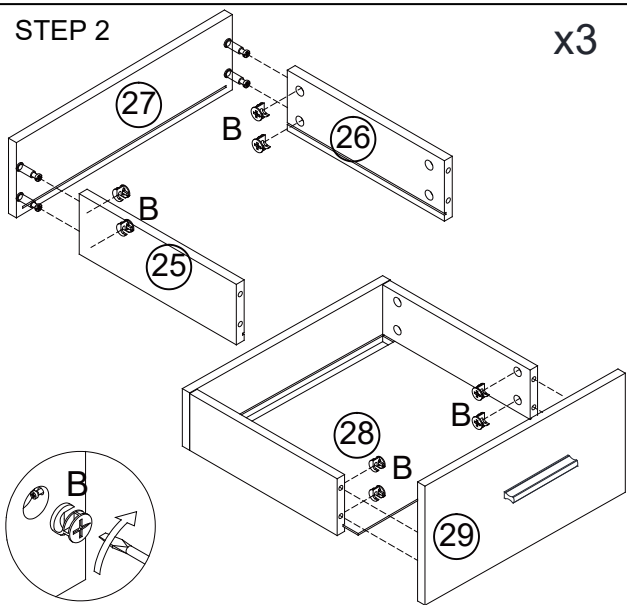
3. Rotate slowly until it stops



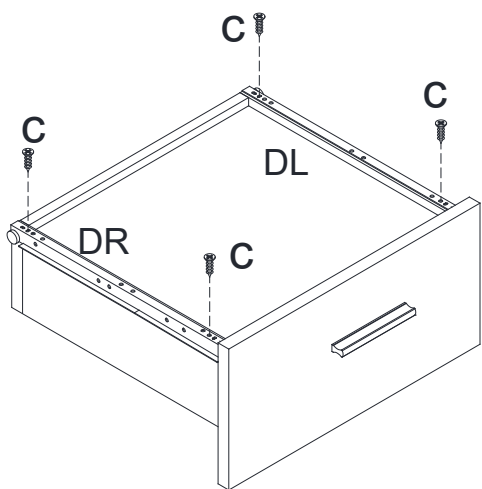
STEP 1 A x3



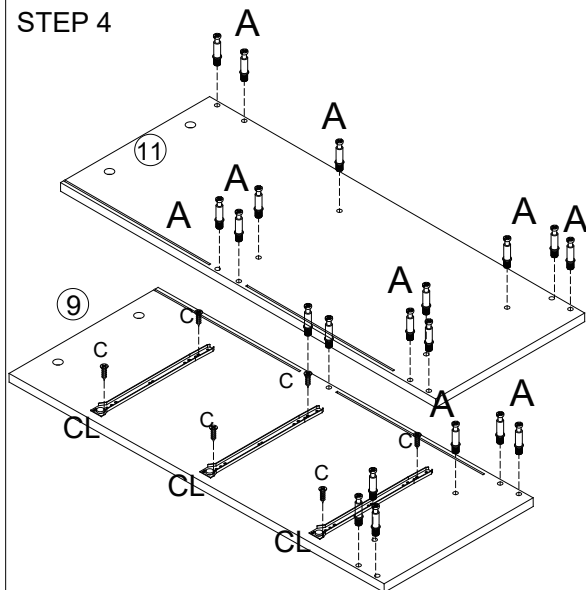
STEP 2 x3



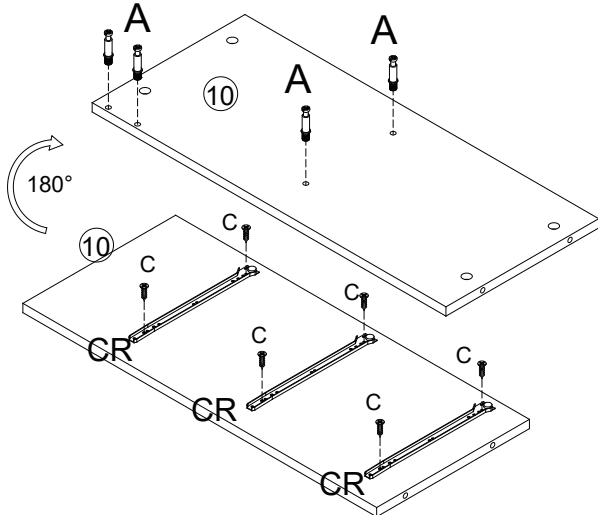
STEP 3 x3



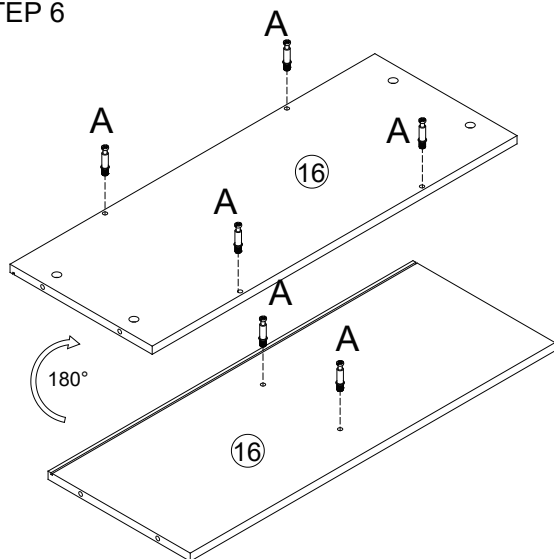
STEP 4



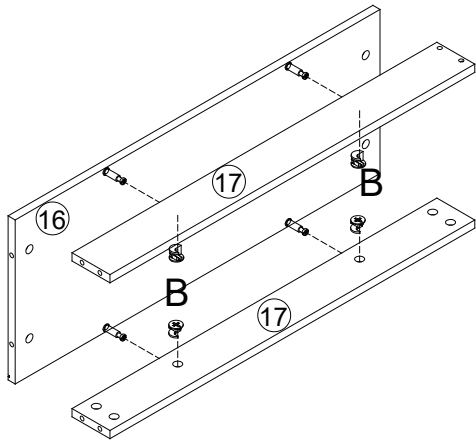
STEP 5



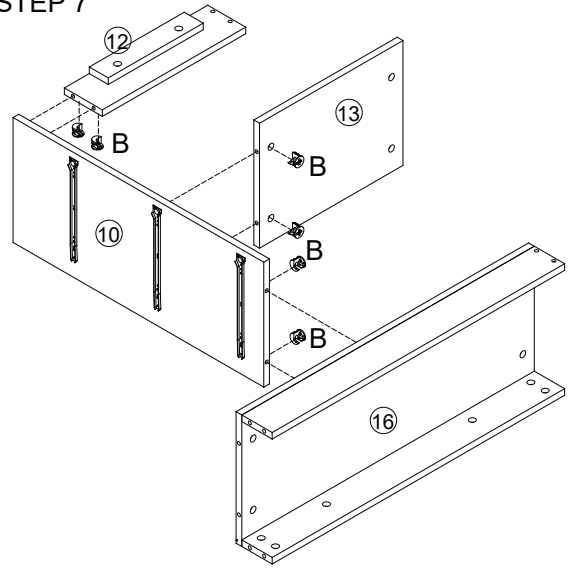
STEP 6



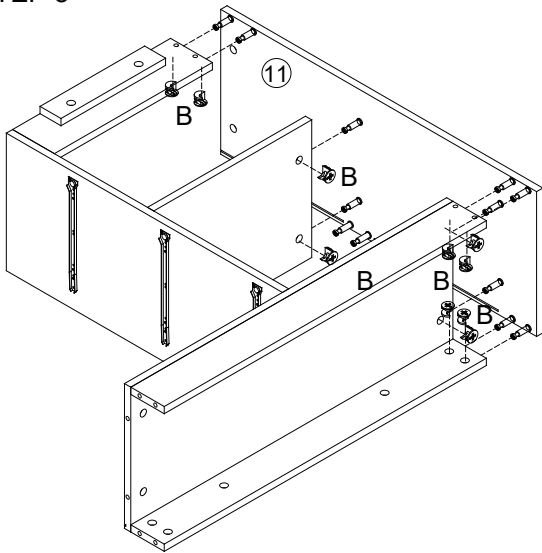
STEP 6



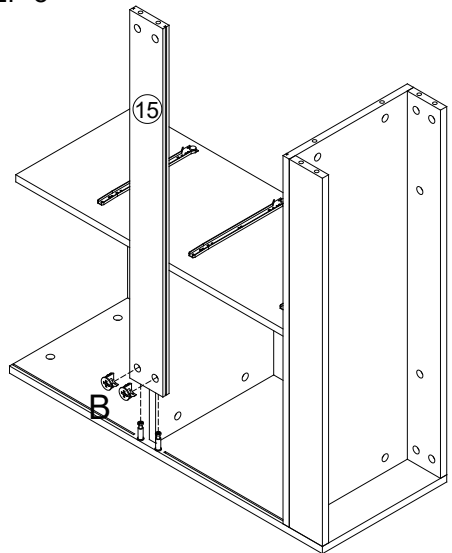
STEP 7



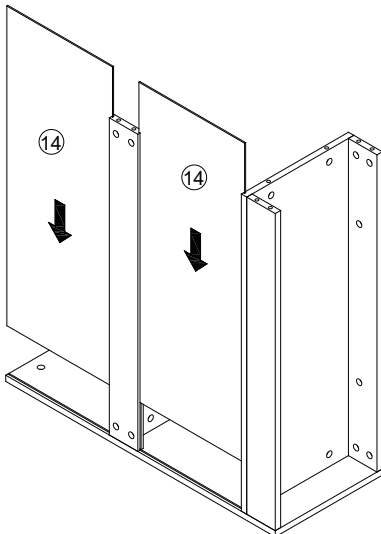
STEP 8



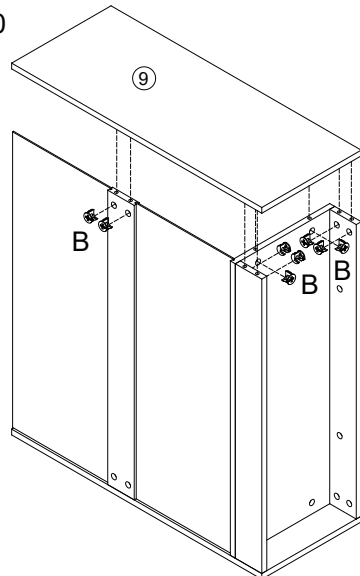
STEP 8



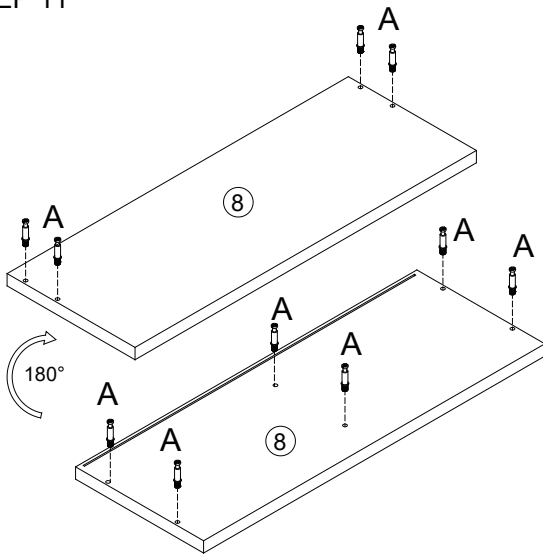
STEP 9



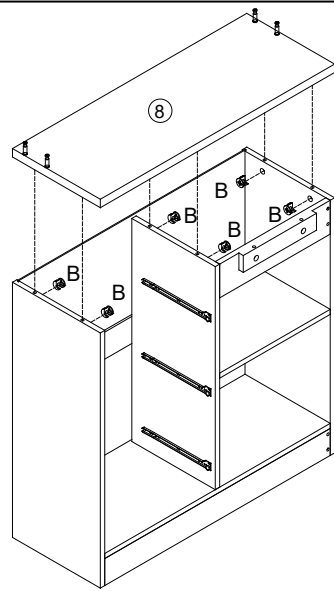
STEP 10



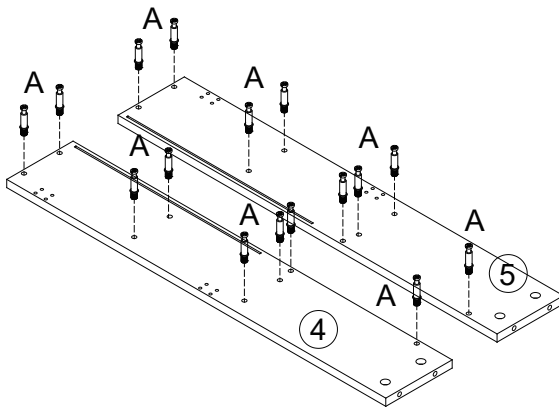
STEP 11



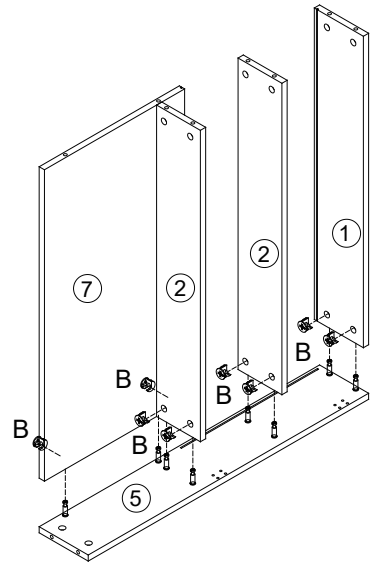
STEP 12



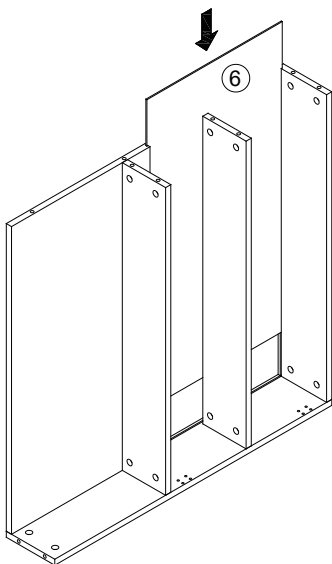
STEP 13



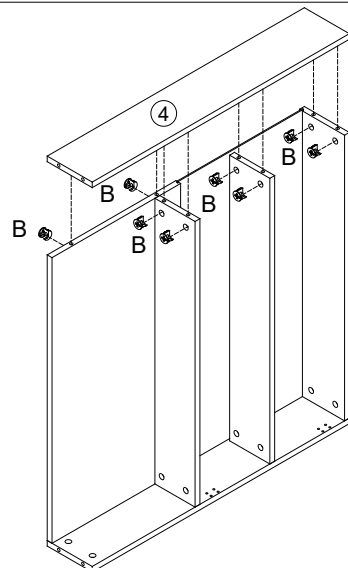
STEP 14



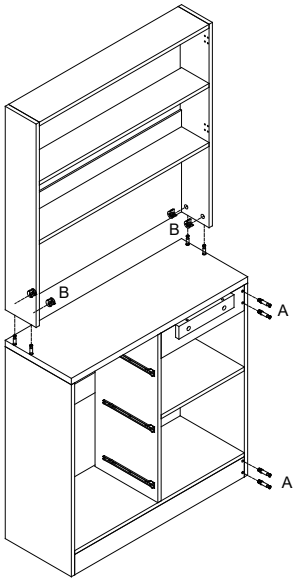
STEP 15



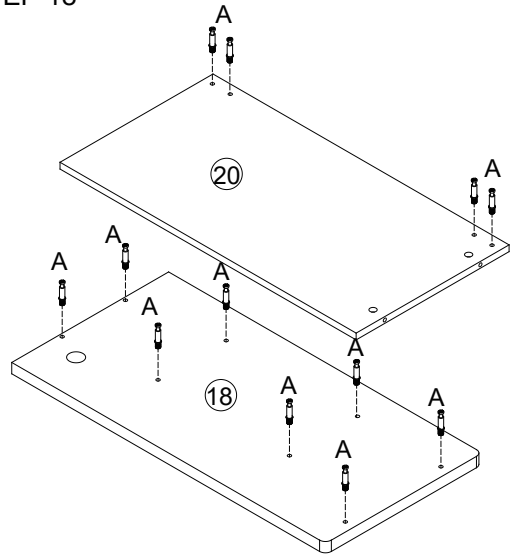
STEP 16



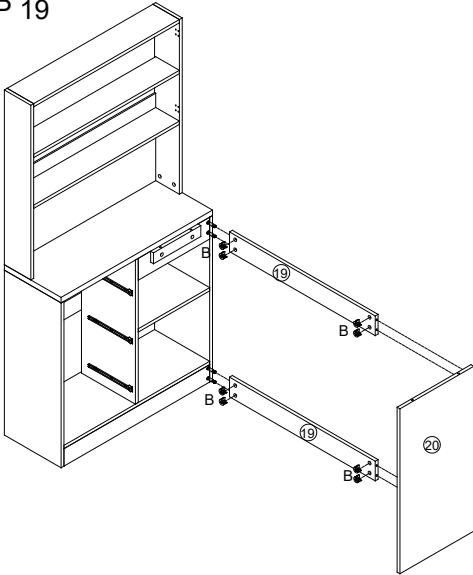
STEP 17



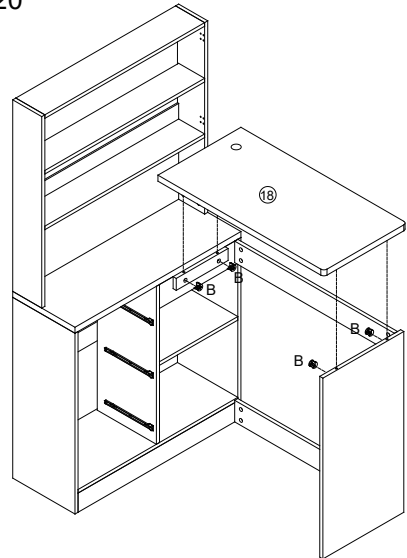
STEP 18



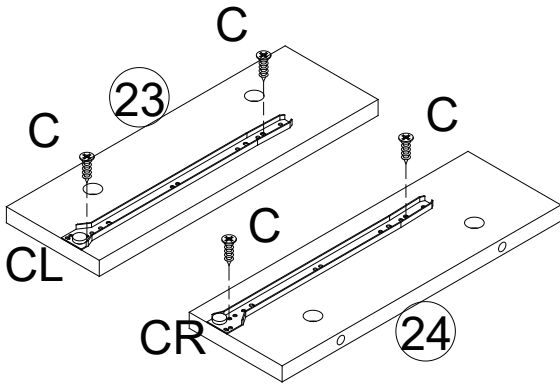
STEP 19



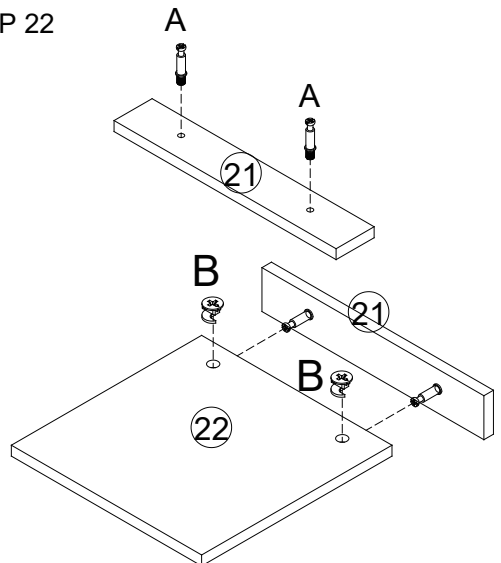
STEP 20



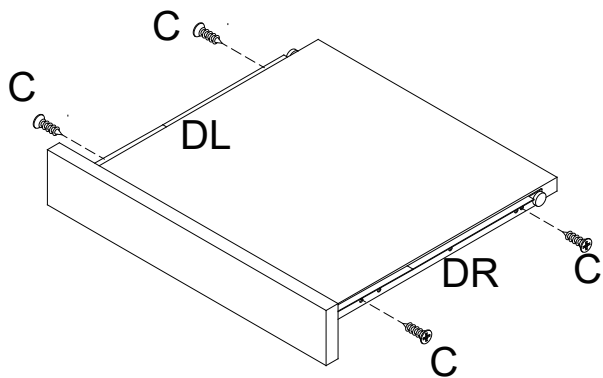
STEP 21



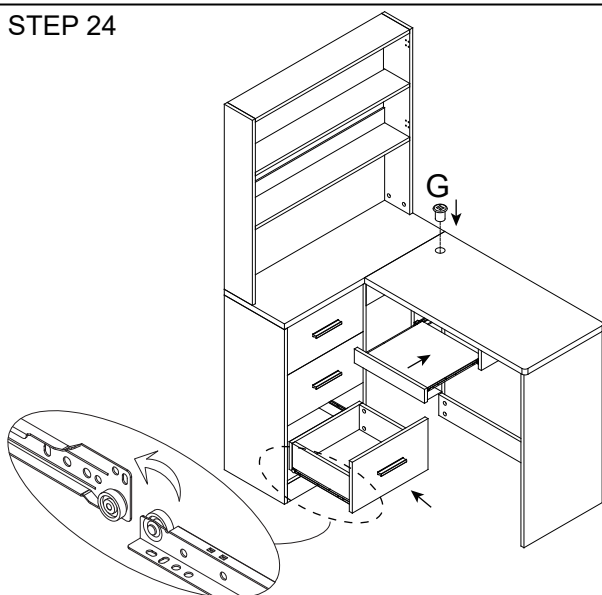
STEP 22



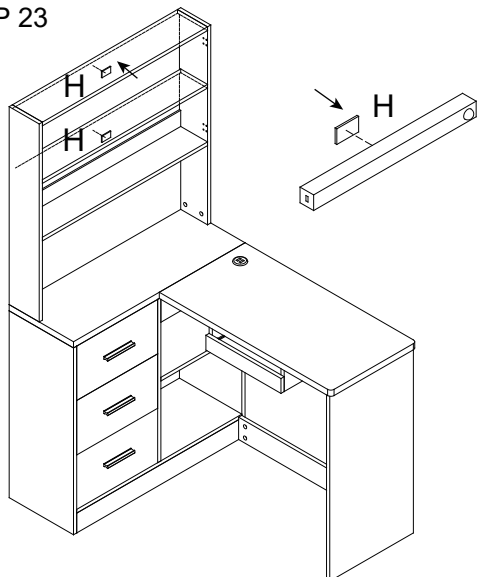
STEP 23



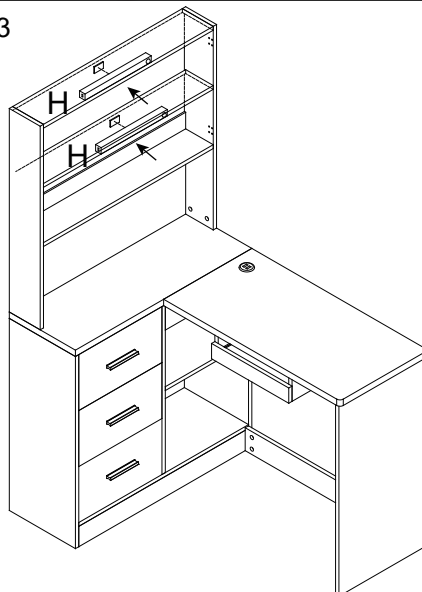
STEP 24



STEP 23



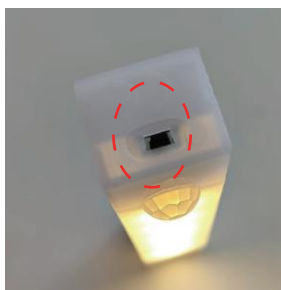
STEP 23



STEP 23



USB charge port



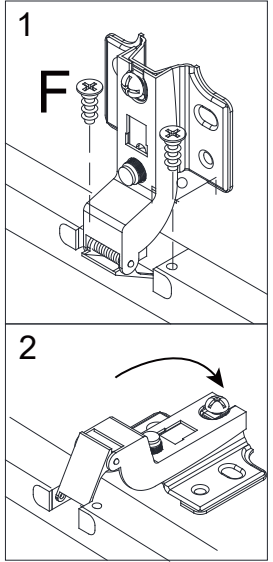
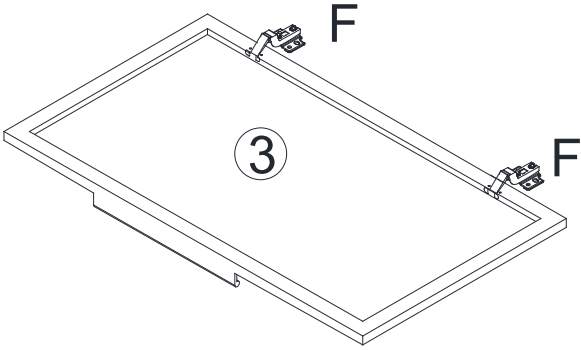
Control switch

STEP 23



Press the light tube once to keep it on, press the second button to activate it,

STEP 23



STEP 23

