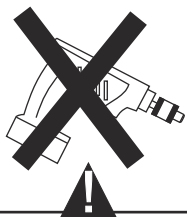
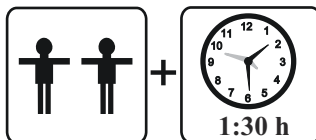


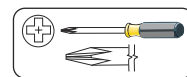
MOD. 55 BUNK BED 98 X 190 CM



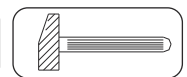
* Use of power tool to assemble this product will invalidate any claim and damage this product making it unsafe!!!
* Please assemble on a clean soft surface to avoid damage.



Tools Required



(Not included)



(Not included)

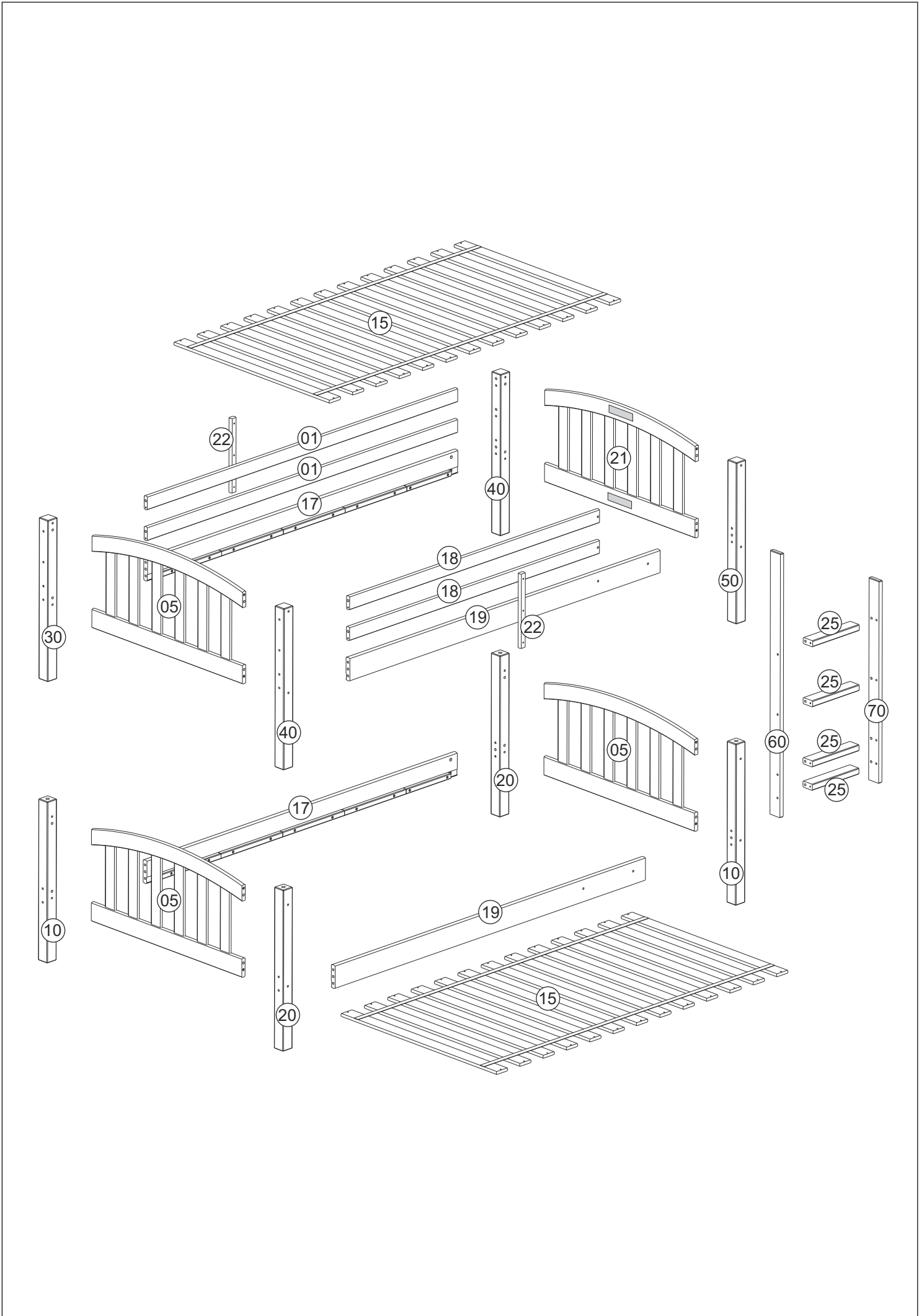


WARNING

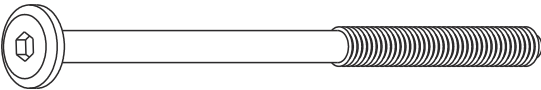

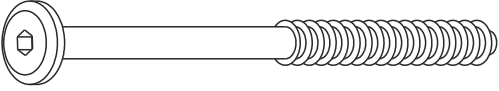
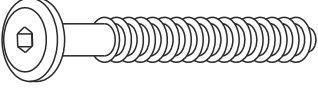


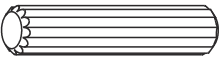
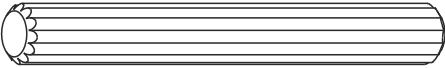
- **STRANGULATION HAZARD** - Never attach or hang items to any part of the bunk bed that are not designed for use with the bed, for example, but not limited to, hooks, belts and jump ropes.
- Follow the information on the warnings appearing on the upper bunk and structure and on the carton. Do not remove warning label from bed.
- The mattress platform is designed to support a mattress without the need for a posture board or box spring.
- Always use the recommended size mattresses or mattress supports, or both, to help prevent the likelihood of entrapment or falls.
- Use only mattresses which are **74"-75"** long and **37 1/2" - 38 1/2"** wide on upper and lower bed. Ensure thickness of mattress does not exceed **8"** on upper bed. Ensure thickness of mattress does not exceed **6"** on lower bed.
- Surface of mattress must be at least 5" (127mm) below the upper edge of guardrails.
- Do not allow children under **6** years of age to use the upper bunk.
- Always use guardrails on both long sides of the upper bunk. If the bunk bed will be placed next to the wall. the guardrail that runs the full length of the bed should be placed against the wall to prevent entrapment between the bed and wall (applicable for bunk beds with full length guardrails on one side).
- Periodically check and ensure that the guardrail, ladder and other components are in their proper position, free from damage, and that all connectors are tight.
- Do not allow horseplay on or under the bed and prohibit jumping on the bed.
- Do not use substitute parts. Contact the manufacturer or dealer for replacement parts.
- Use of a night light may provide added safety precaution for a child using the upper bunk.
- The use of water or sleep flotation mattresses is prohibited.
- Always use the ladder for entering and leaving the upper bunk.
- Prohibit more than one person on upper bunk.
- Keep these instructions for future reference.

Cleaning and conservation:


- The cleaning of the furniture must be carried out only with a soft and dry cloth.
- Do not use abrasive products or similar, such as: wax, alcohol, detergents, furniture polish, thinners, etc.

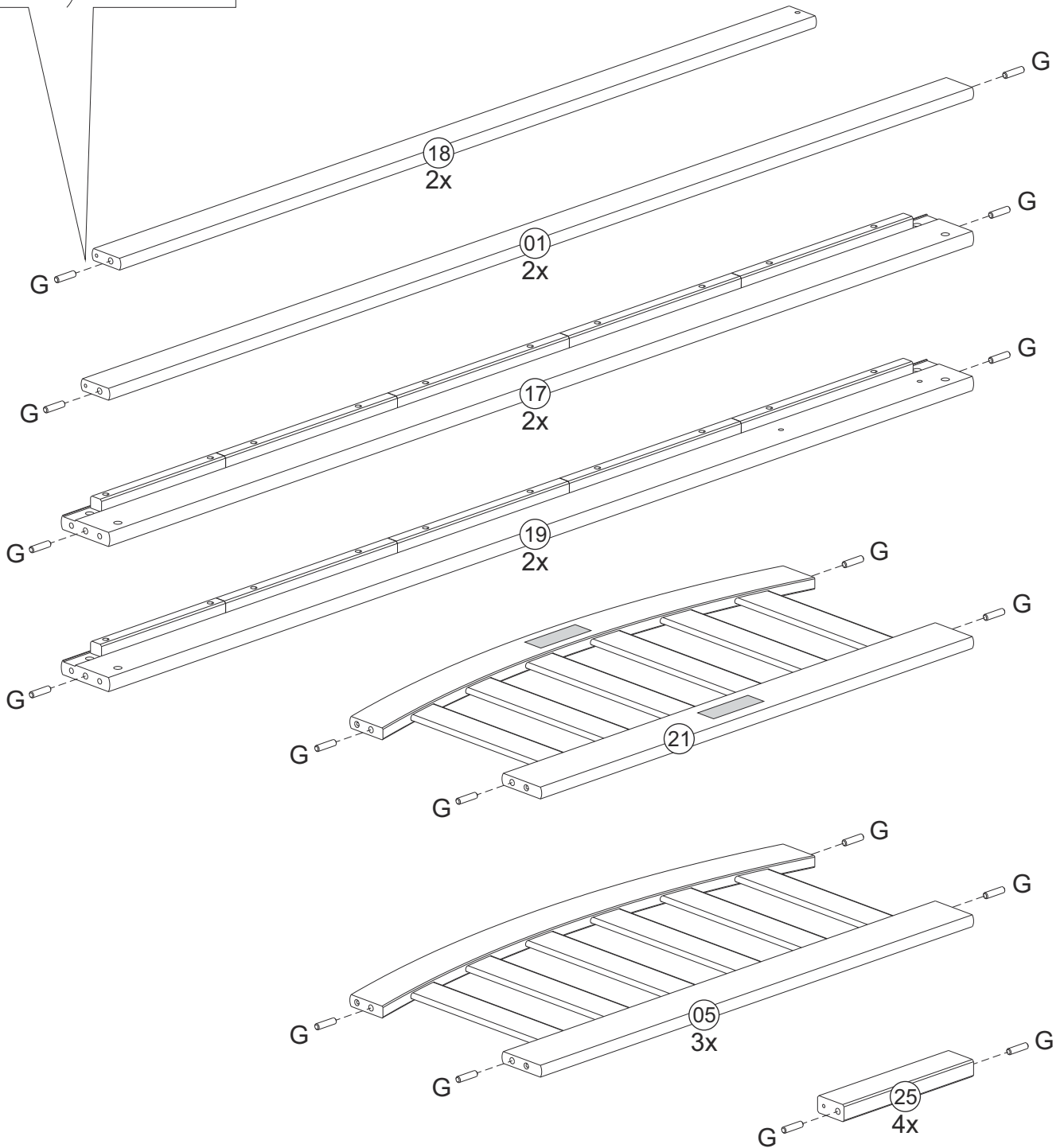
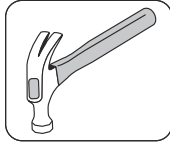
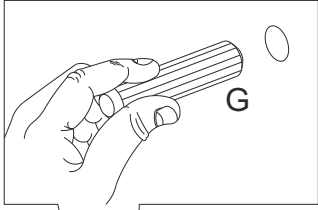


ATTENTION!!! HARDWARE BELOW (SEPARATE AND COUNT).

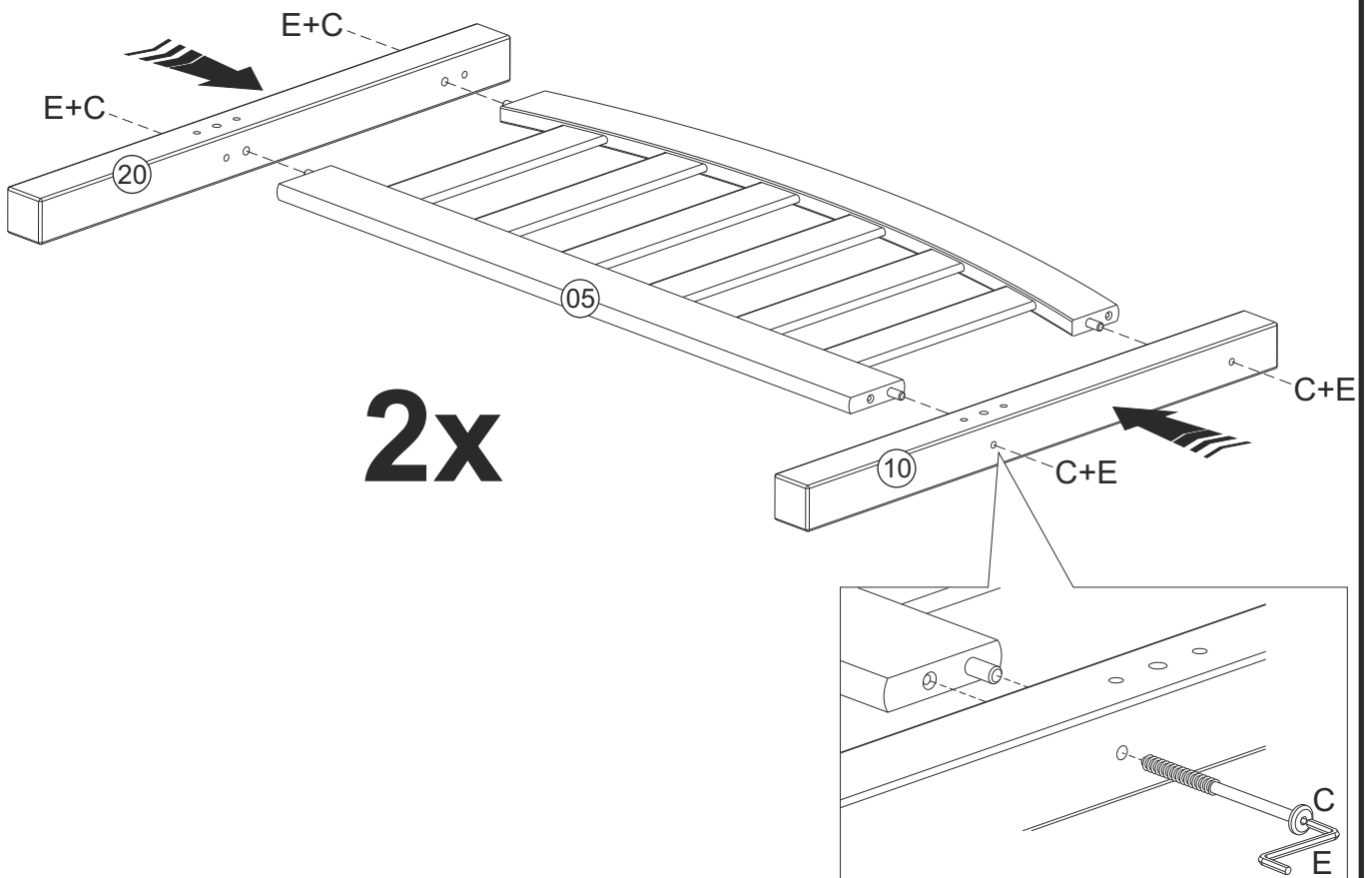
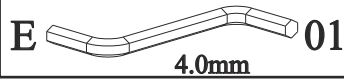
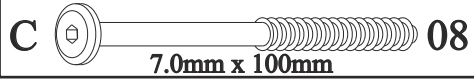
A	16		1/4" x 110 mm
B	16		1/4"
C	22		7,0 x 100 mm
D	14		7,0 x 60 mm
E	01		4,0 mm
F	58		C.C - 4,0 x 35 mm
G	38		10 x 40 mm
H	04		15 x 100 mm

1

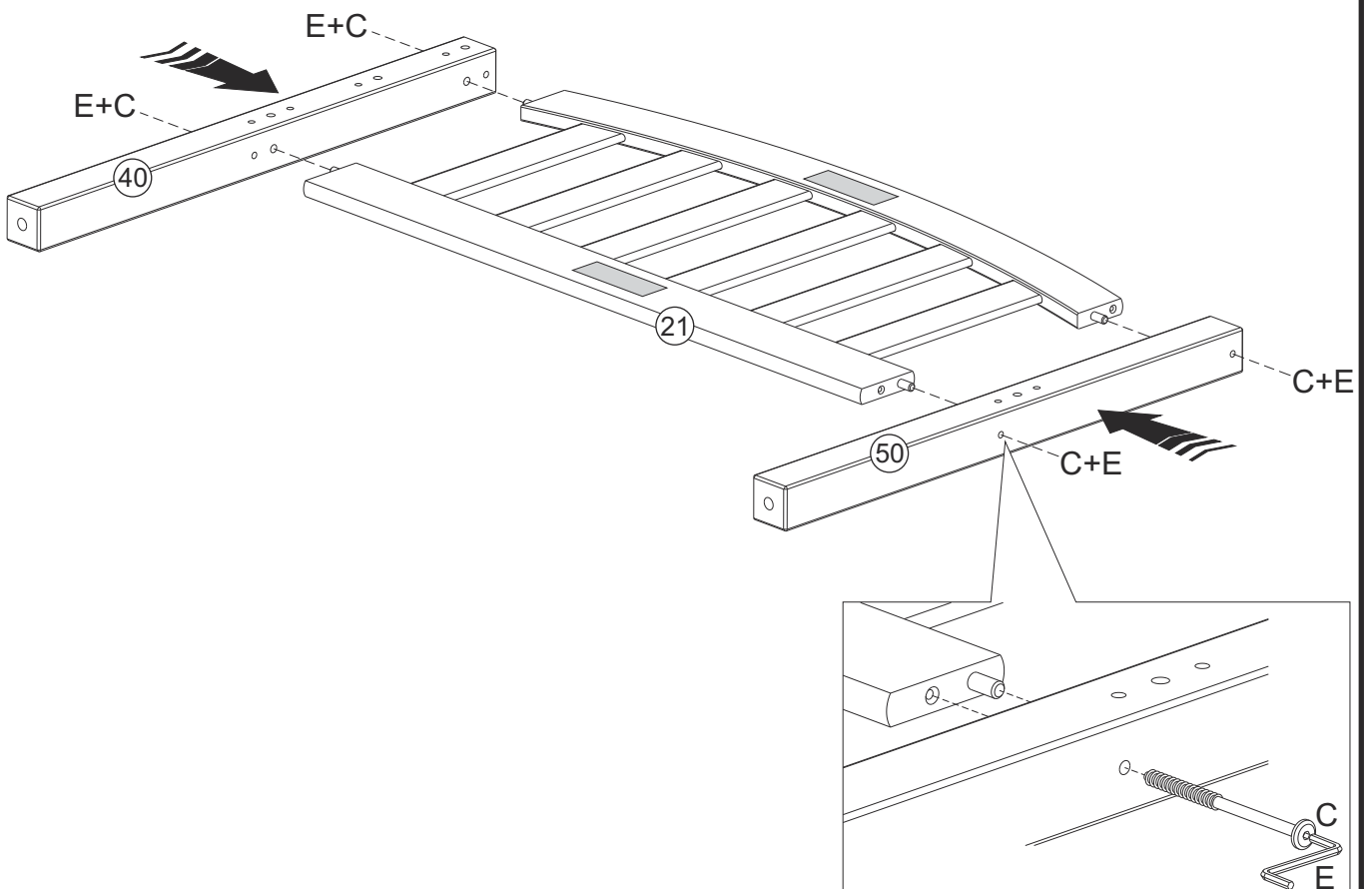
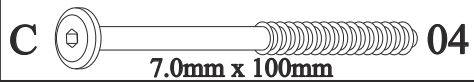
G  38
10mm x 40mm



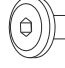
2

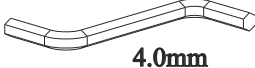


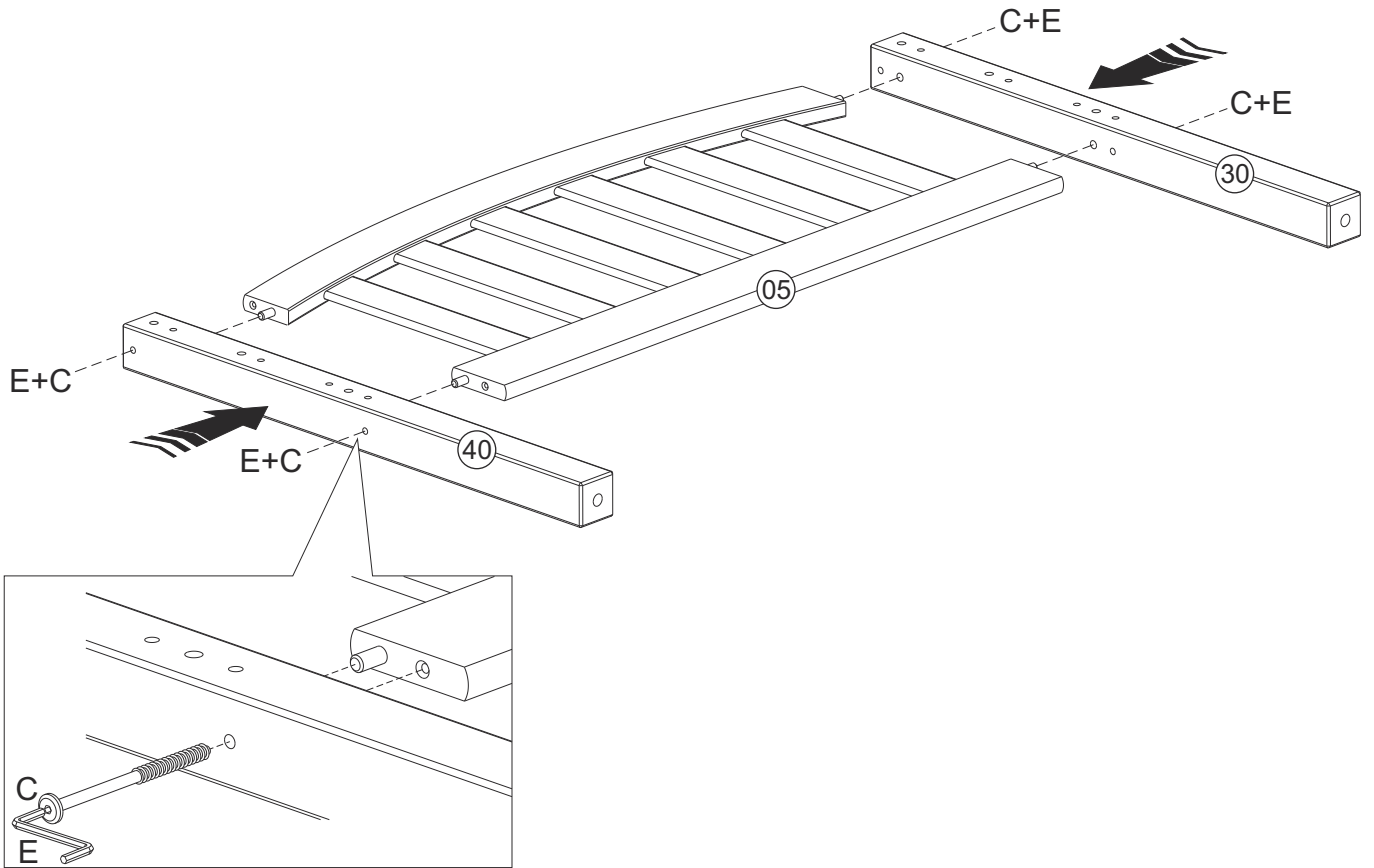
3



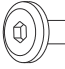
4

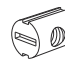
C  7.0mm x 100mm 04

E  4.0mm 01

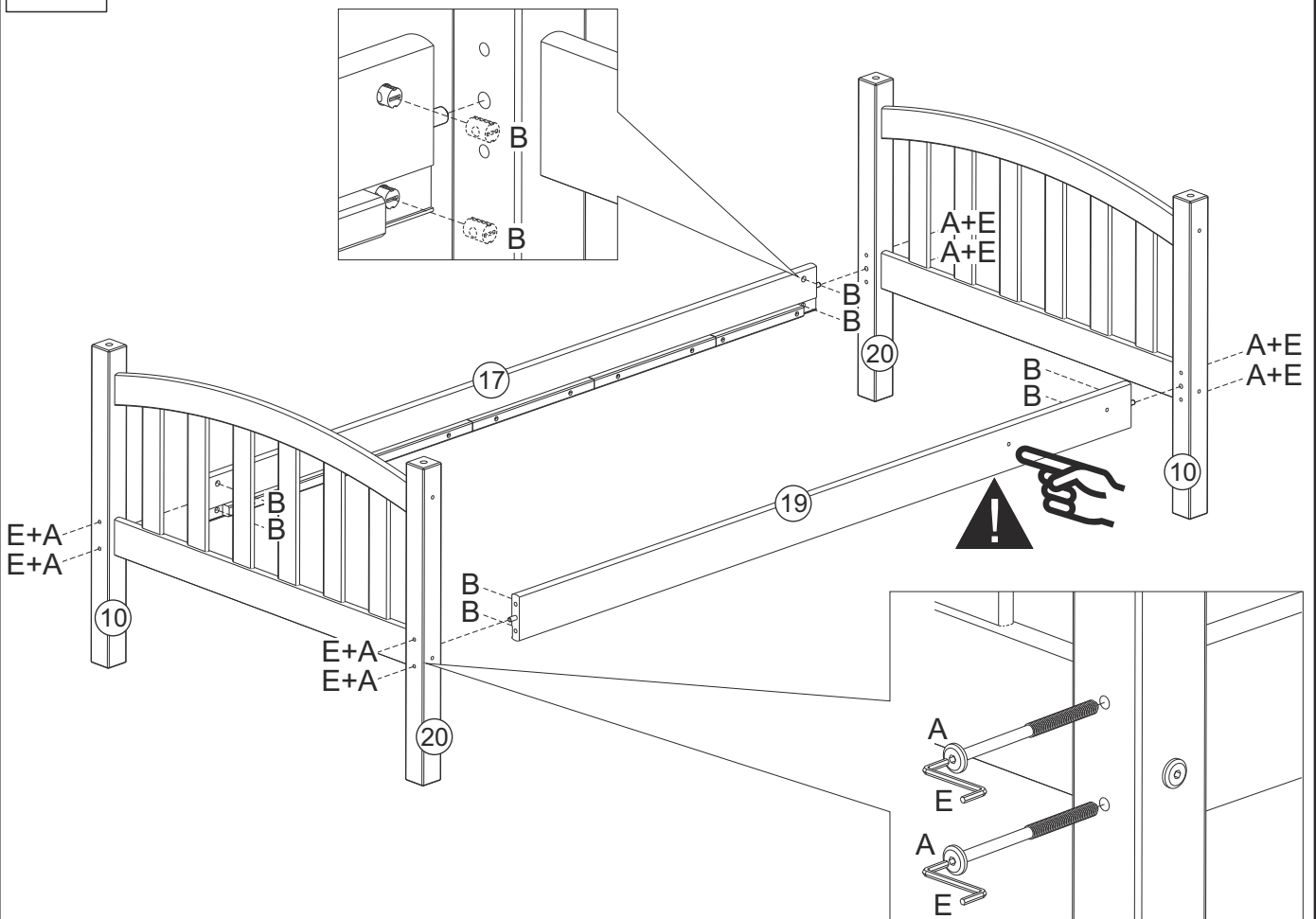


5

A  1/4 x 110mm 08

B  1/4 08

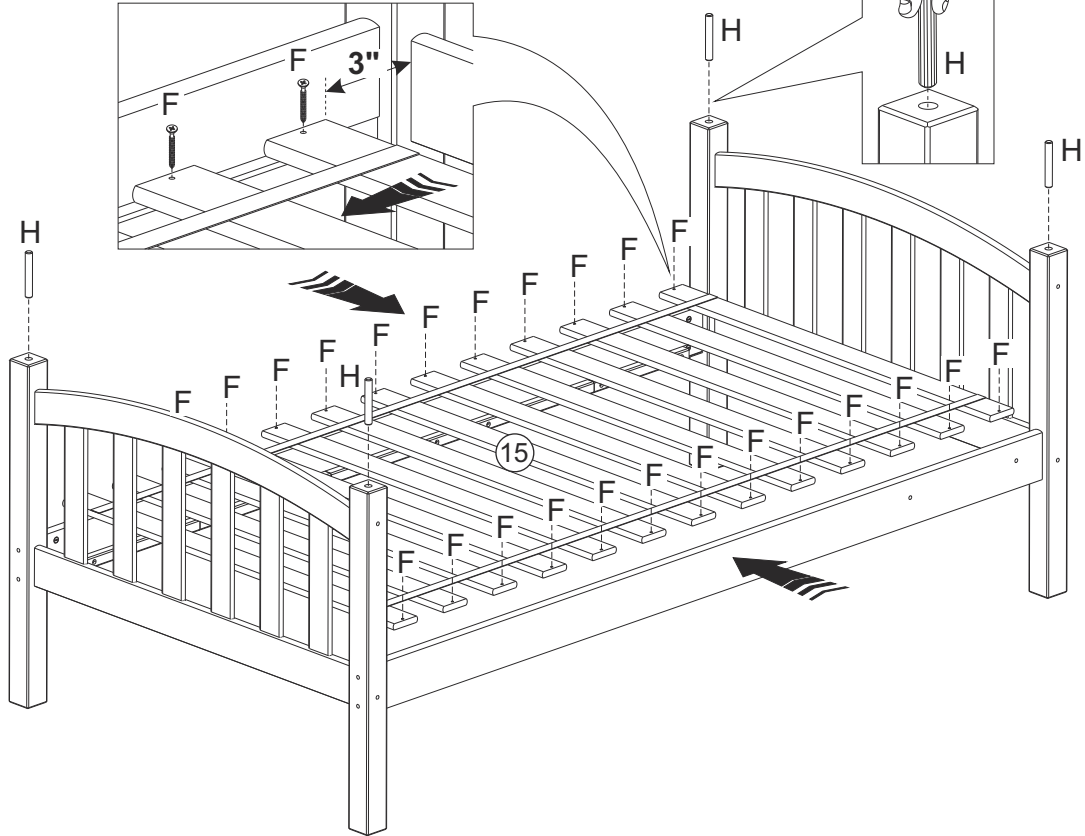
E  4.0mm 01




6


F  26
C.C - 4.0mm x 35mm

H  04
15mm x 100mm

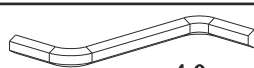


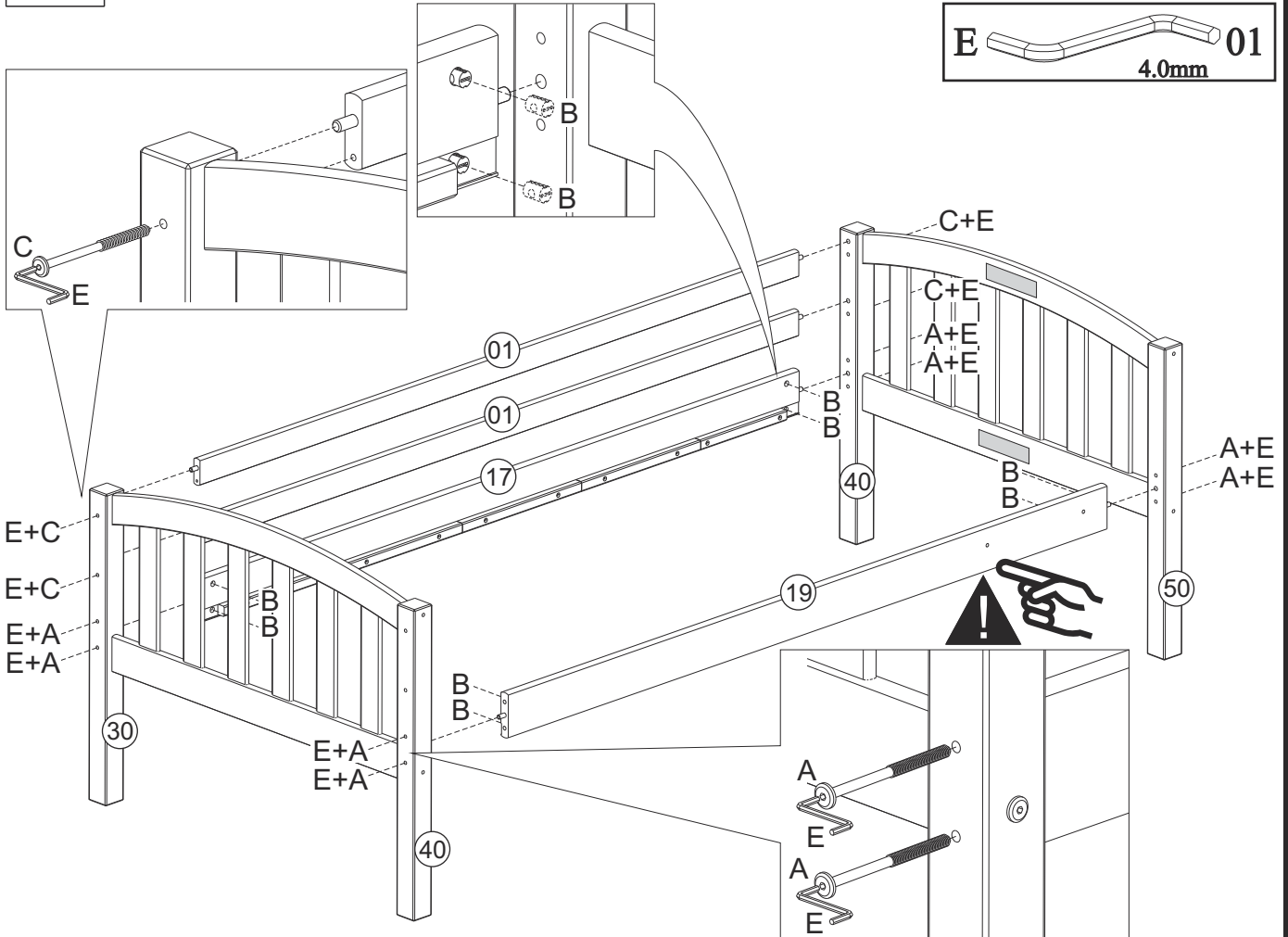
7

A  08
1/4 x 110mm


B  08
1/4

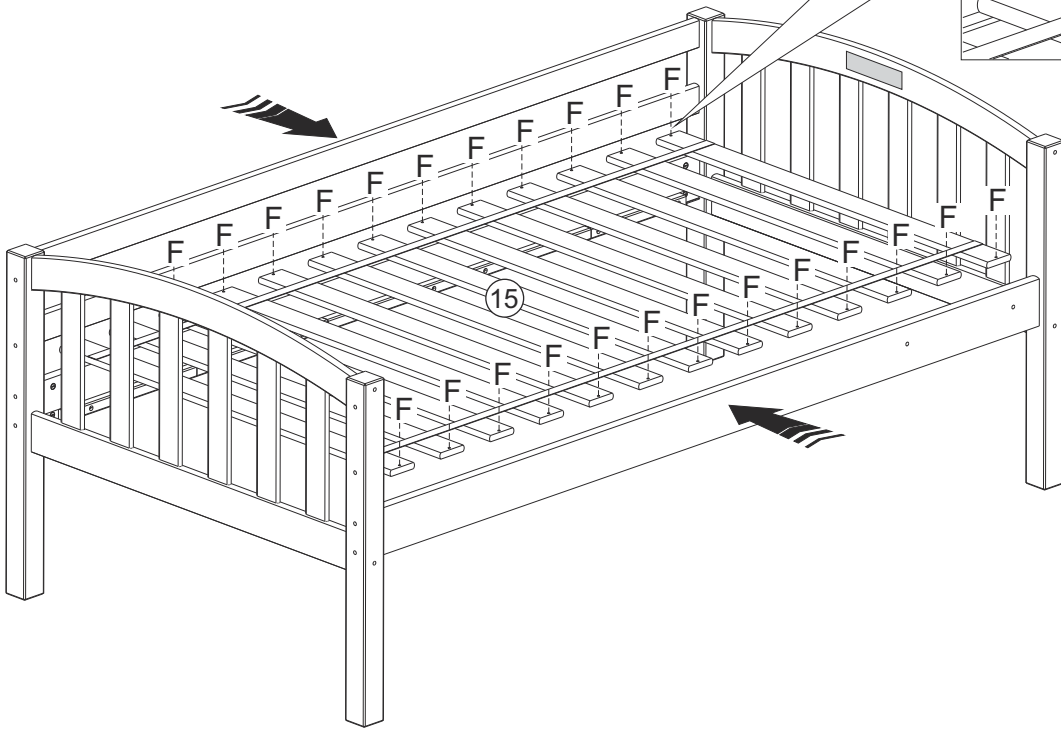
C  04
7.0mm x 100mm

E  01
4.0mm

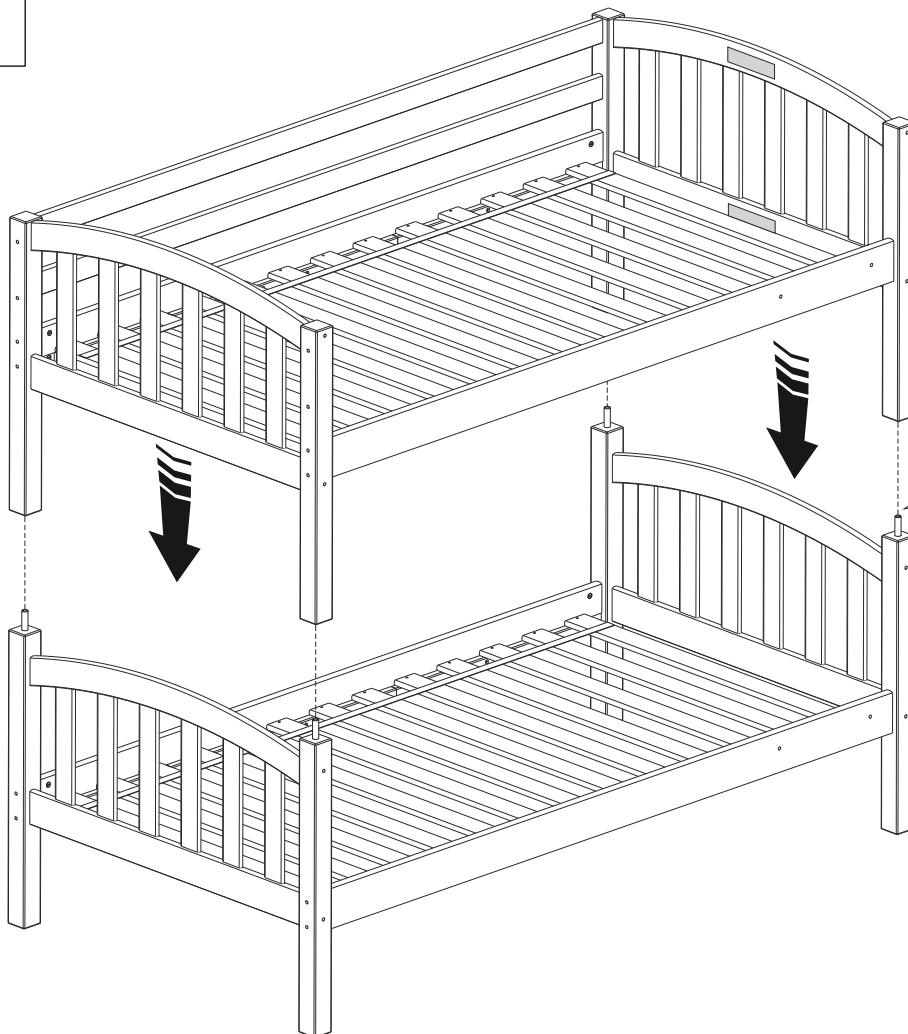


8

F  26
C.C - 4.0mm x 35mm



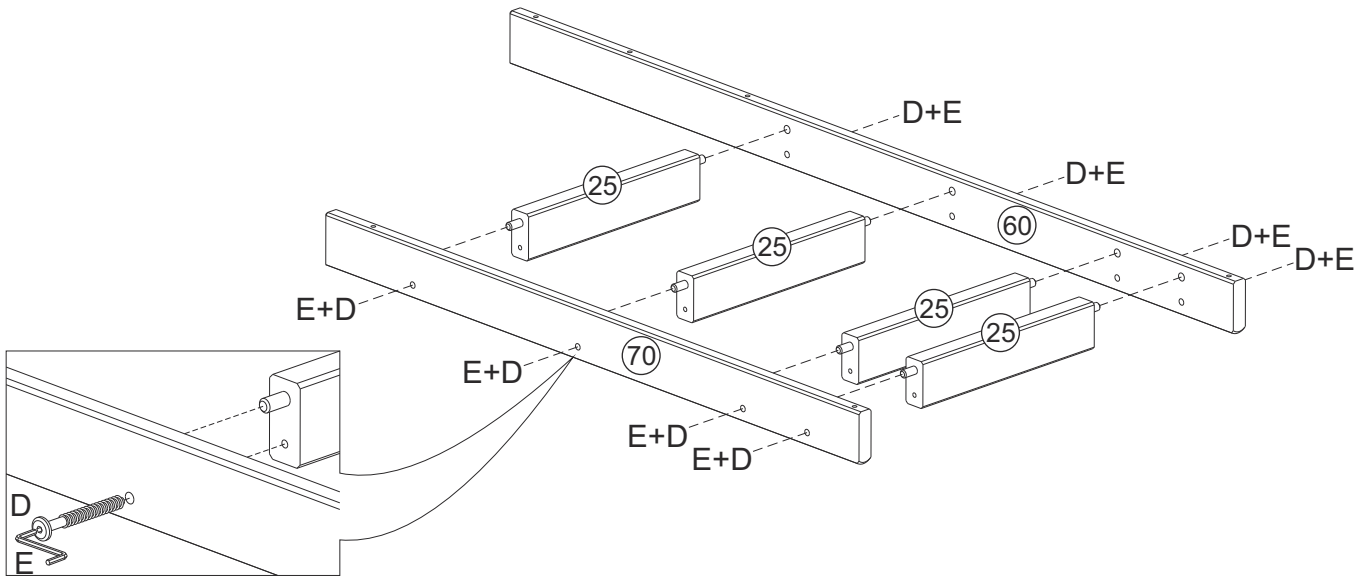
9




10

D  08
7.0mm x 60mm


E  01
4.0mm

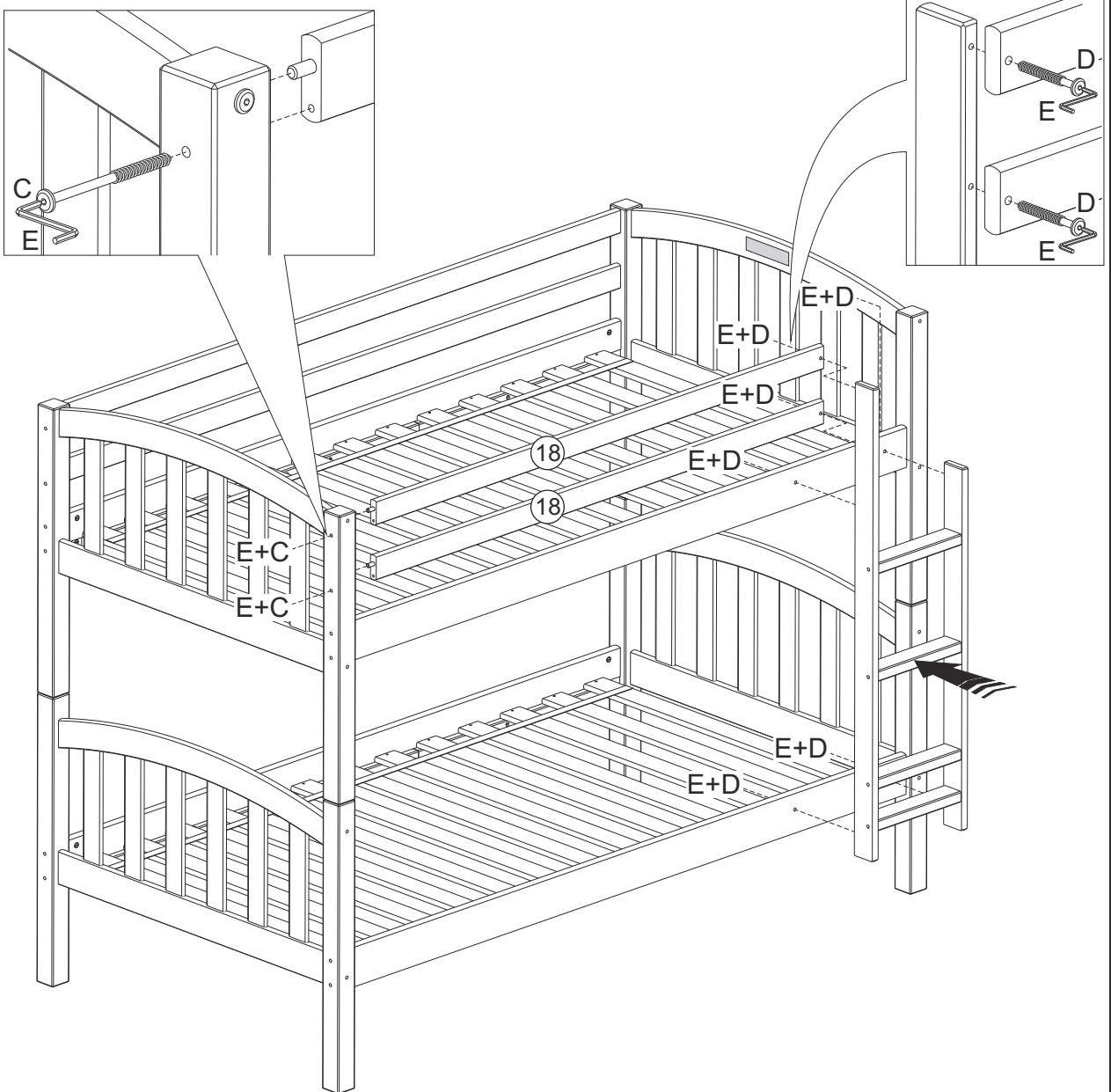


11


C  02
7.0mm x 100mm

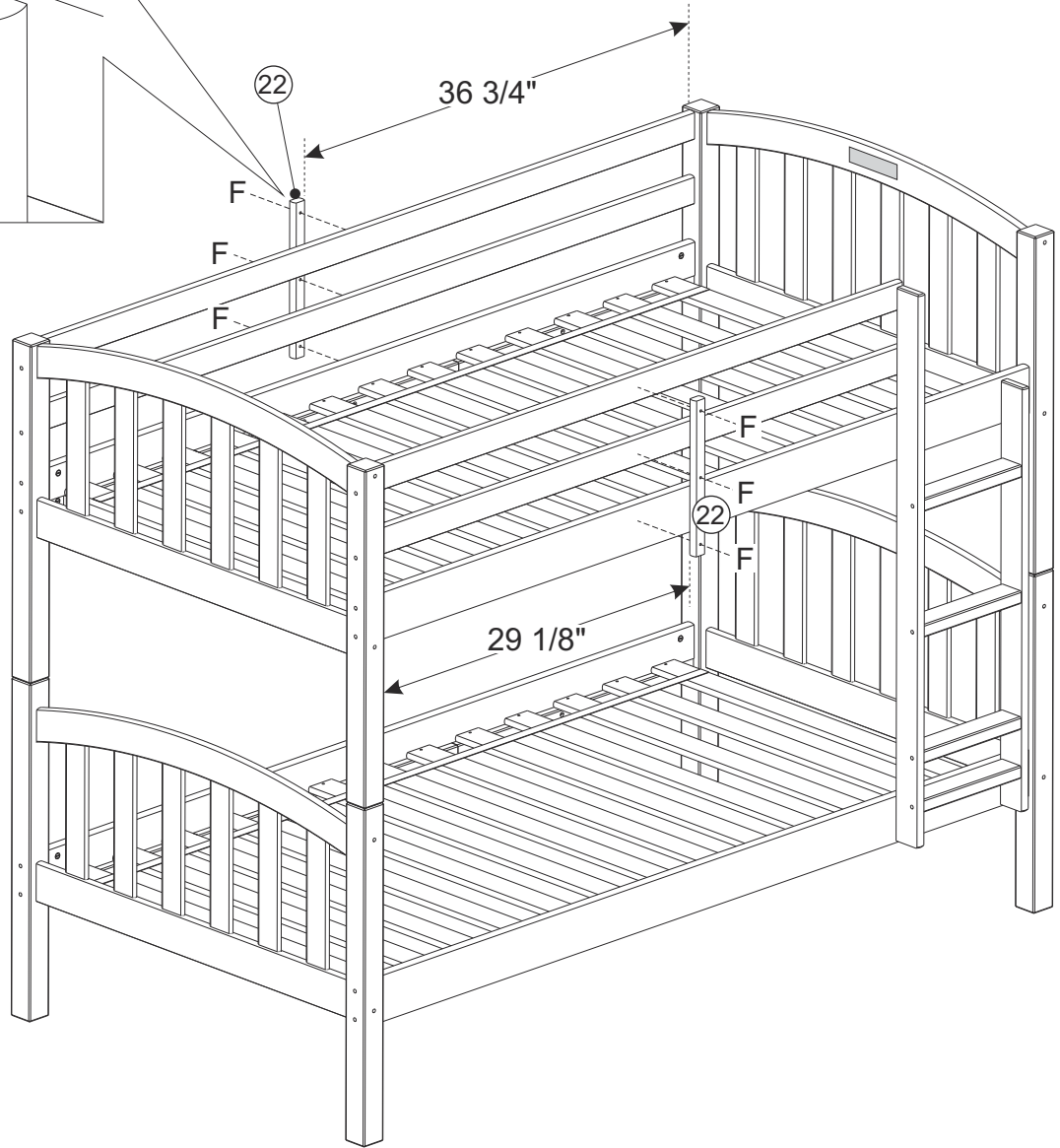
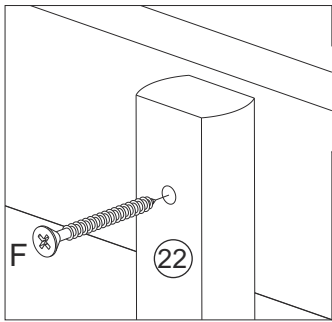
D  06
7.0mm x 60mm

E  01
4.0mm



12

F  06
C.C - 4.0mm x 35mm



Your product is ready to use!



Weight Limit:

Upper bed : 200 lbs / 90 kg

Lower bed : 200 lbs / 90 kg