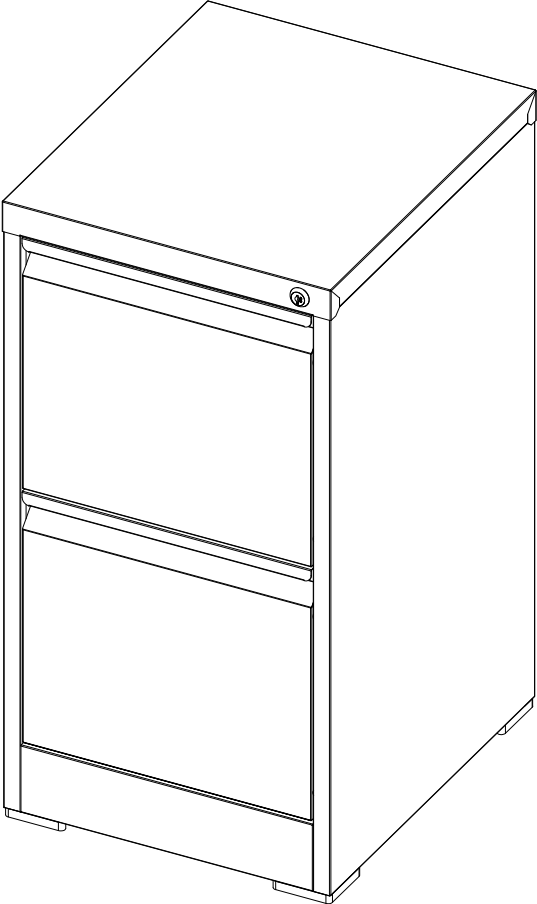


SKU:DSN026BN121A
20005



SKU:DSN026BN121A
20005

THANK YOU FOR CHOOSING US !

Your new Metal Cabinet has arrived and it will make your life so much easier. That's why we put so much effort into designing it to perfectly fit your needs.

But first things first, we need to install it!

When we say “we”, we mean we're going to guide you, step by step. We created this instructions manual so that you won't feel overwhelmed and get your new cabinet up and ready to use in no time! We also know that sometimes things just don't seem to fit, so don't hesitate to drop us a line at help@amrecianoffice.com if you have questions or need help!

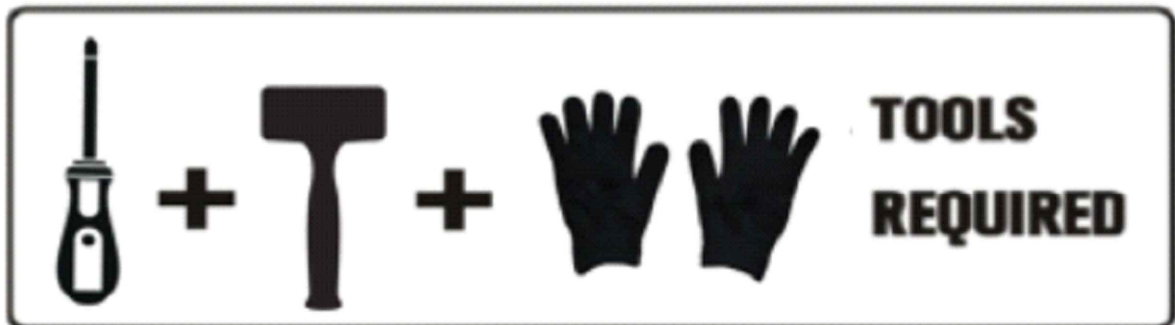
Anyways, this cabinet CANT WAIT TO BE OF SERVICE so let's assemble it!

MISSING A PART? DON'T WORRYWE GOT YOUR BACK!

Compare the sketch on the next page with your package. Are all the pieces there? However, sometimes errors happen,so if anything is missing just send us an email and we will make sure to fix it!

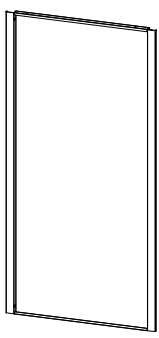
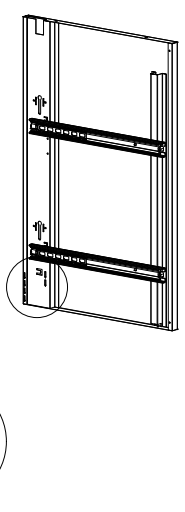
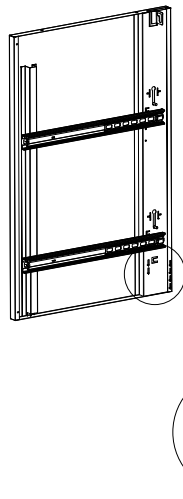
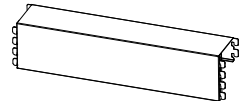
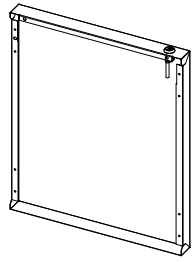

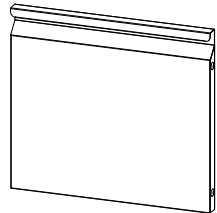
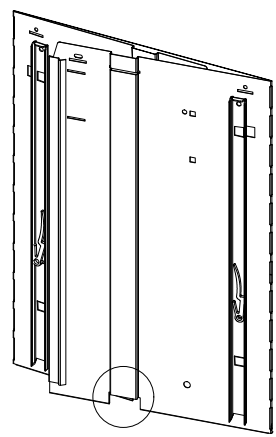

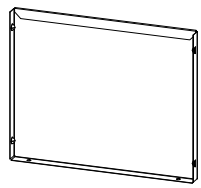
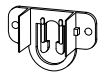



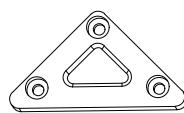

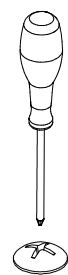
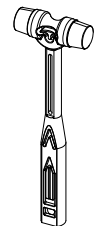

Before you start, here are a few quick pointers:

The installation can be finished by 1 person. Also, you can call a friend to join the fun!



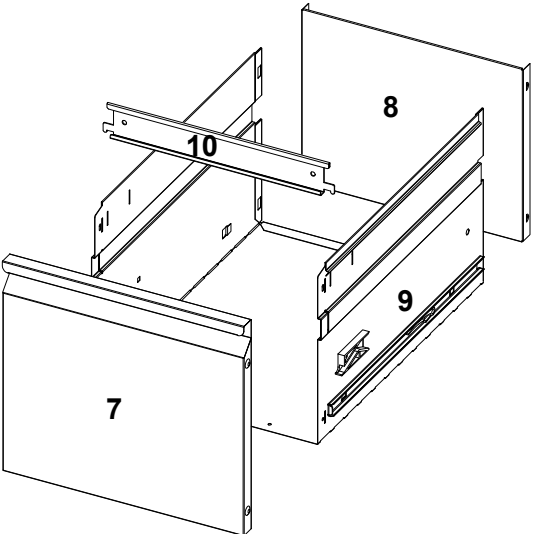
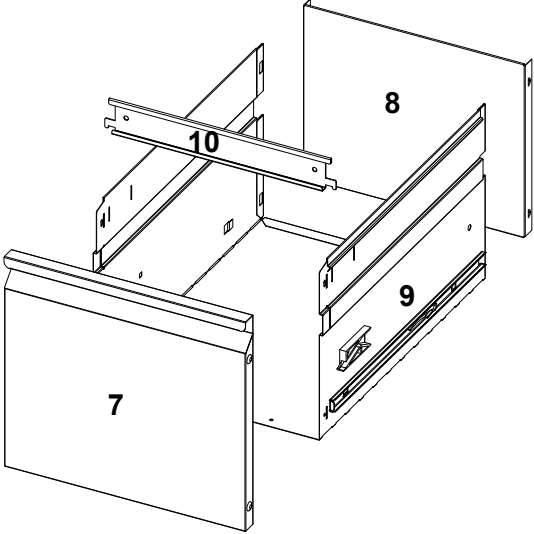
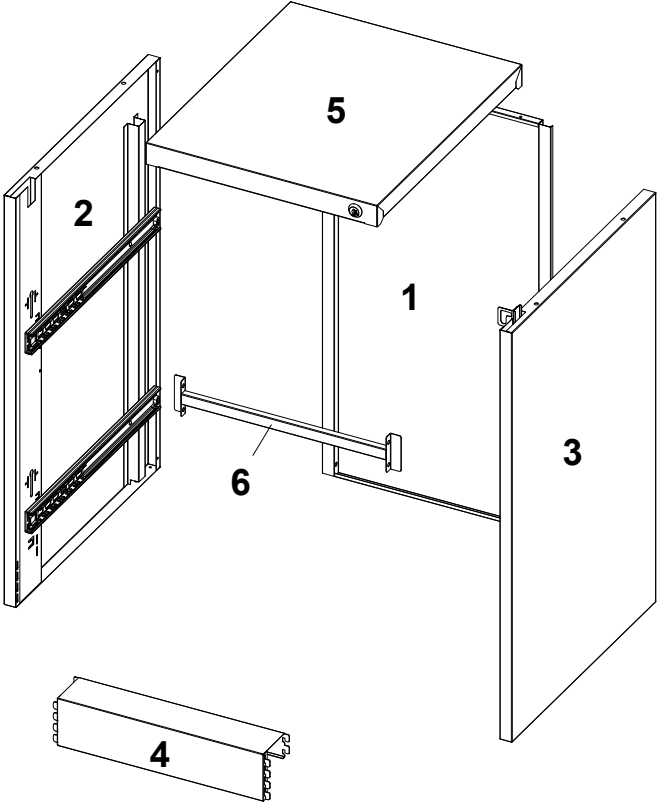
SKU:DSN026BN121A

20005

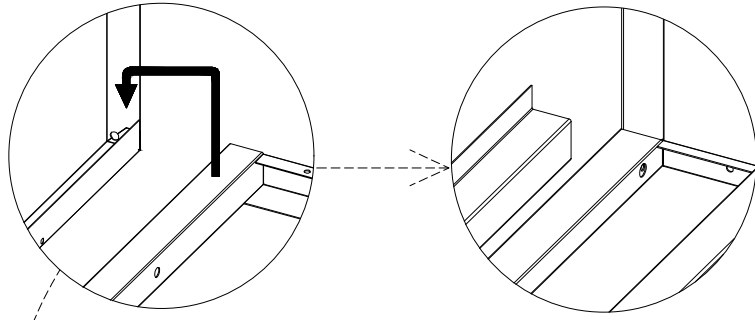
<p>1×1</p> 	<p>2×1</p> 	<p>3×1</p> 	<p>4×1</p>  <p>5×1</p> 				
<p>6×1</p> 	<p>7×2</p> 	<p>9×2</p> 					
<p>10×2</p> 	<p>8×2</p> 						
<p>A×1</p> 	<p>B×2</p>  <p>M4× $\frac{16\text{mm}}{0.6\text{inch}}$</p>	<p>C×12</p>  <p>M4× $\frac{8\text{mm}}{0.3\text{inch}}$</p>	<p>D×24</p>  <p>M5× $\frac{12\text{mm}}{0.47\text{inch}}$</p>	<p>E×4</p> 			
							

SKU:DSN026BN121A

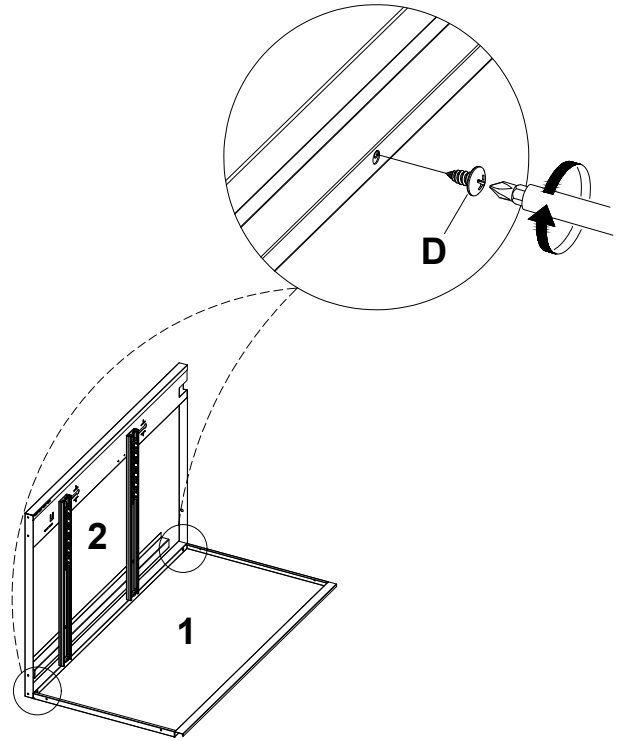
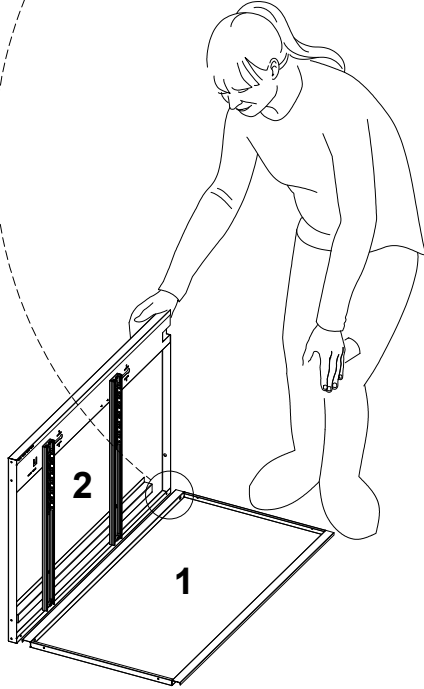
20005



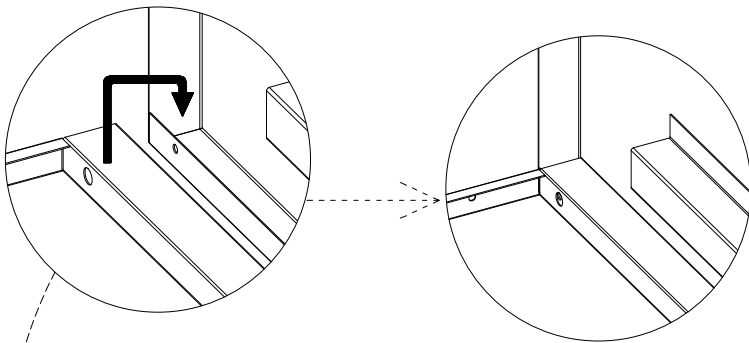
Step 1



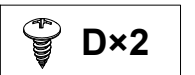
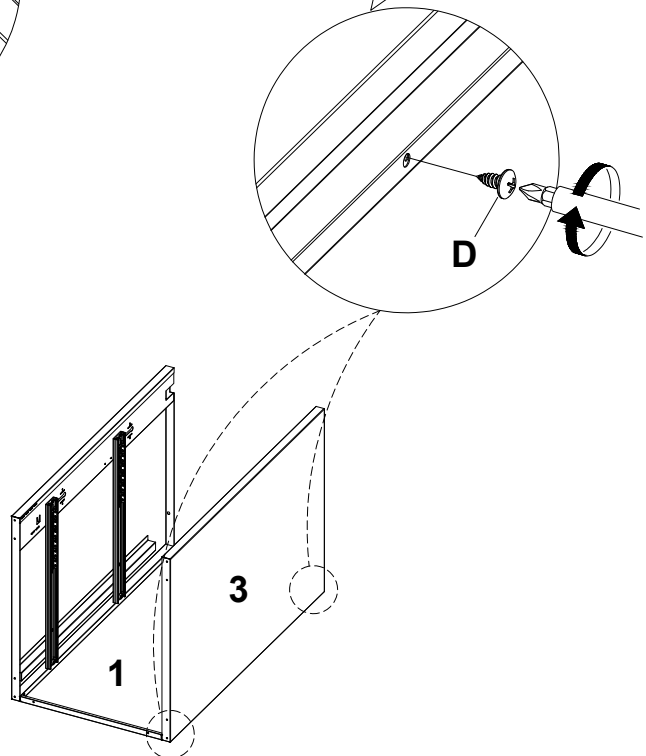
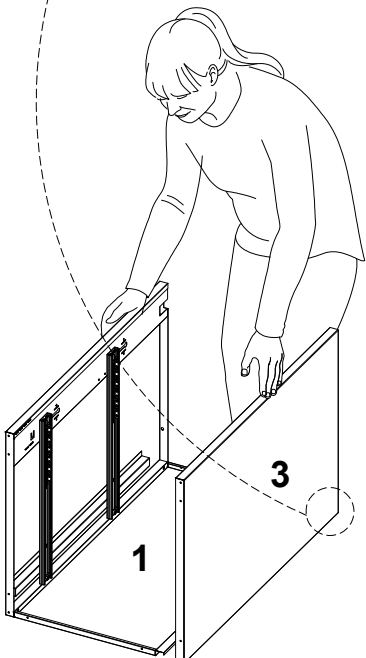
Put the hole on part 1 and part 2 in level (please refer to the photo guide) and connect it by D Screws



Step 2

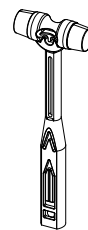
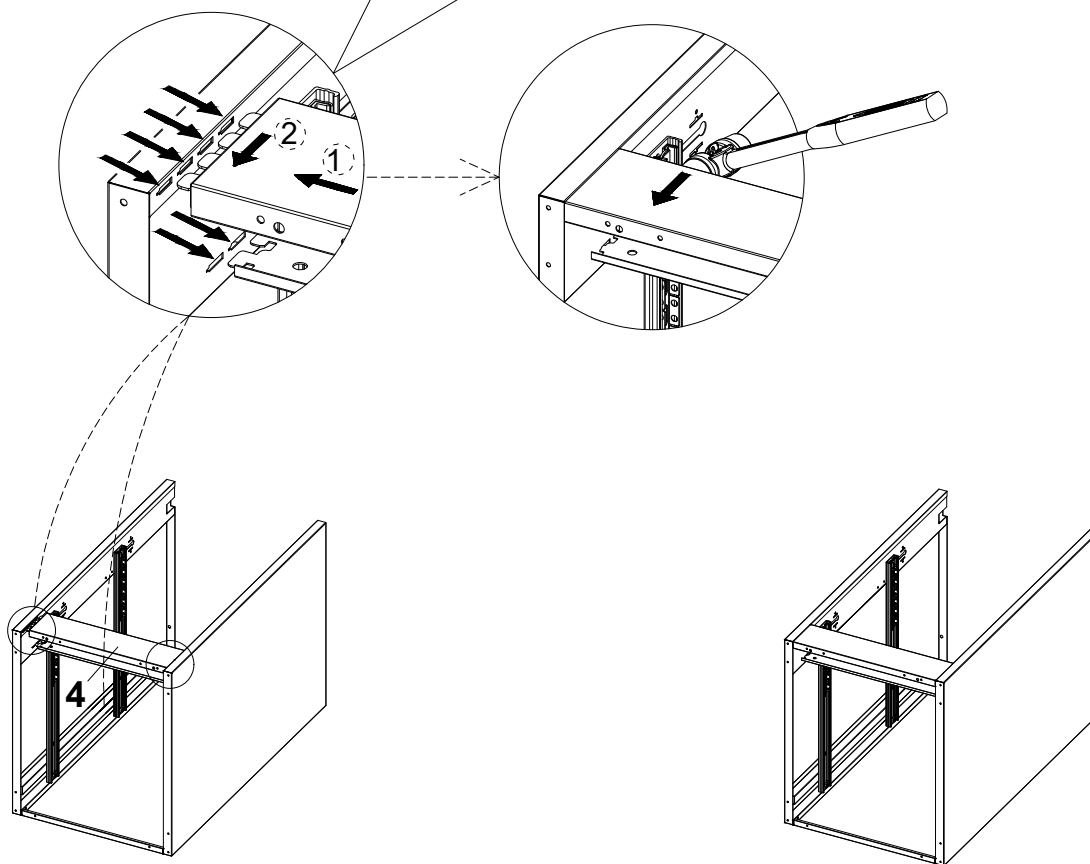


Put the hole on part 1 and part 3 in level (please refer to the photo guide) and connect it by D Screws

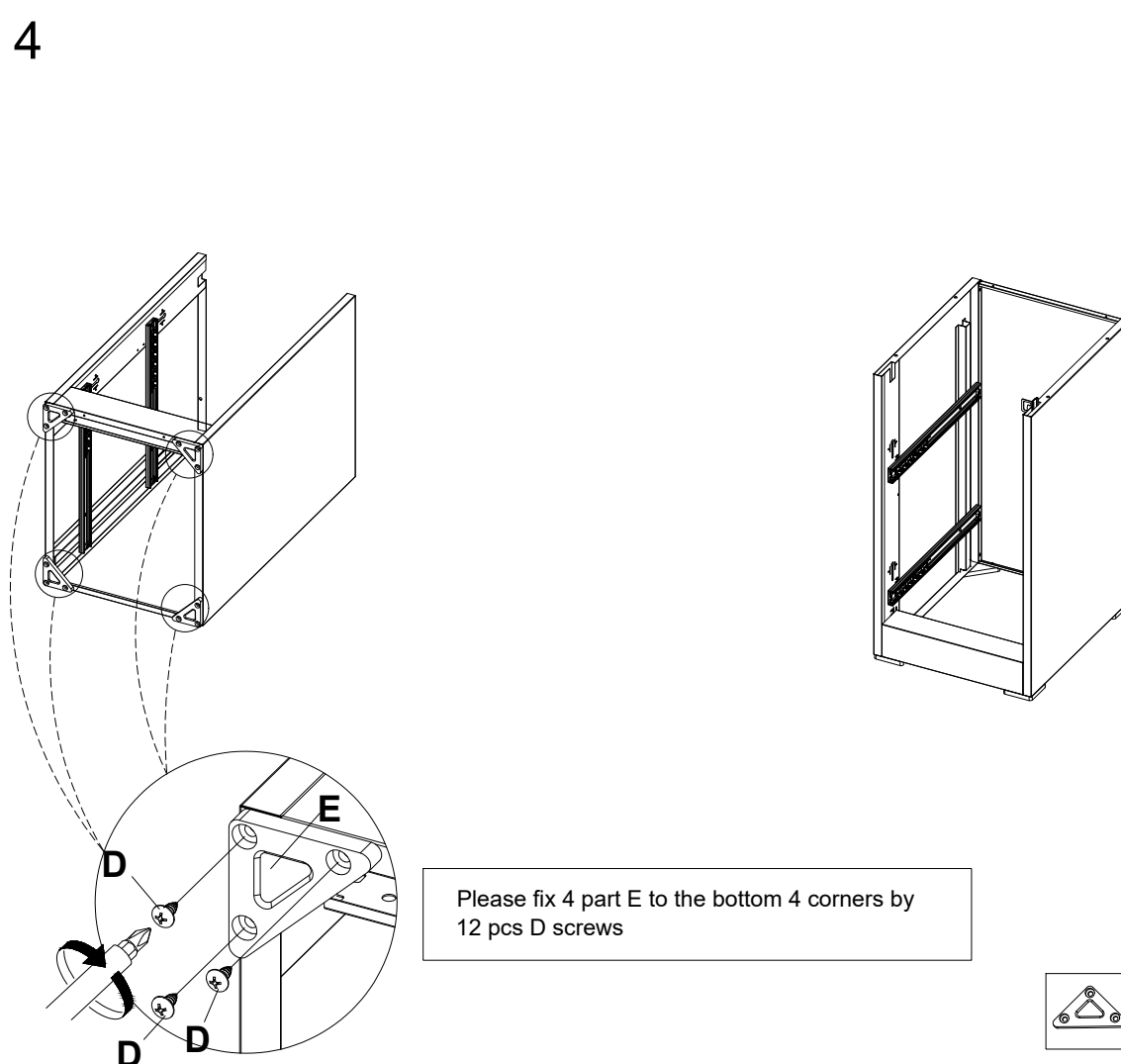


Step 3

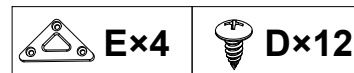
Put the tabs of part 4 into the holes of 2 and 3
Using the soft hammer to adjust it from top to down
until it is flat with the bottom of side panels



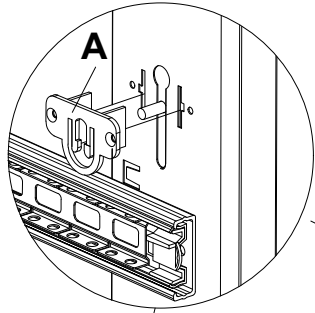
Step 4



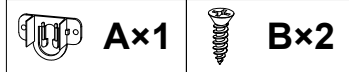
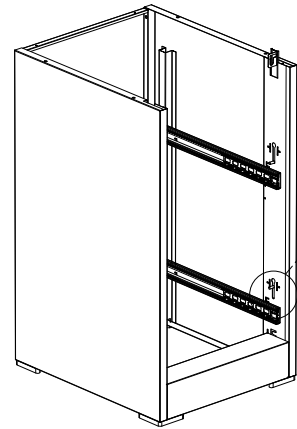
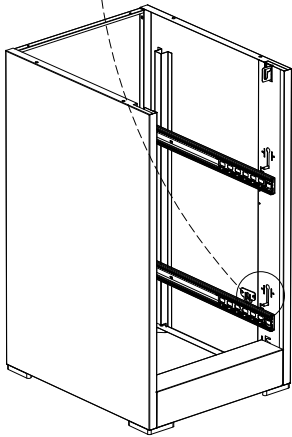
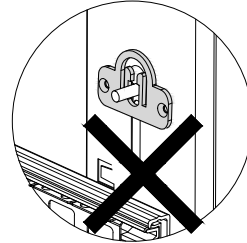
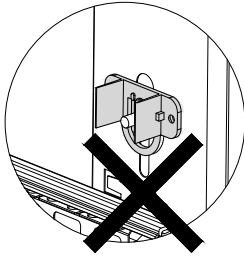
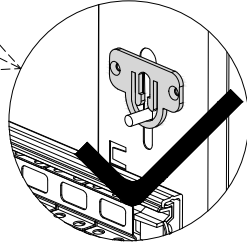
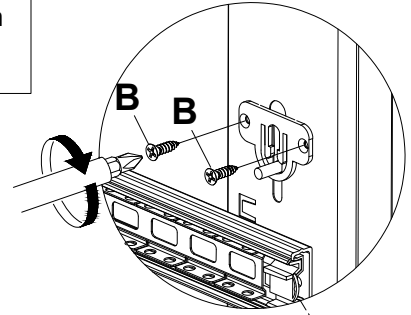
Please fix 4 part E to the bottom 4 corners by
12 pcs D screws



Step 5

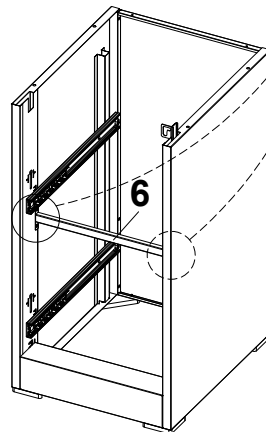
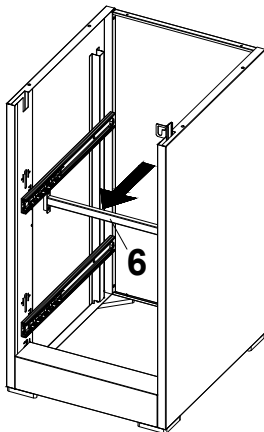
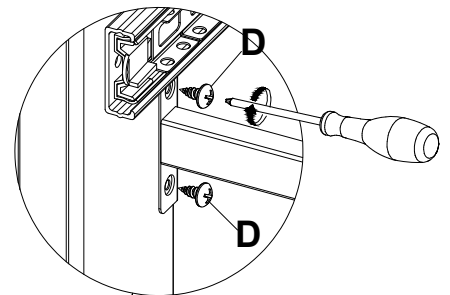


Fix part A with screw B, and pay attention to the direction.(photo 1 is right)

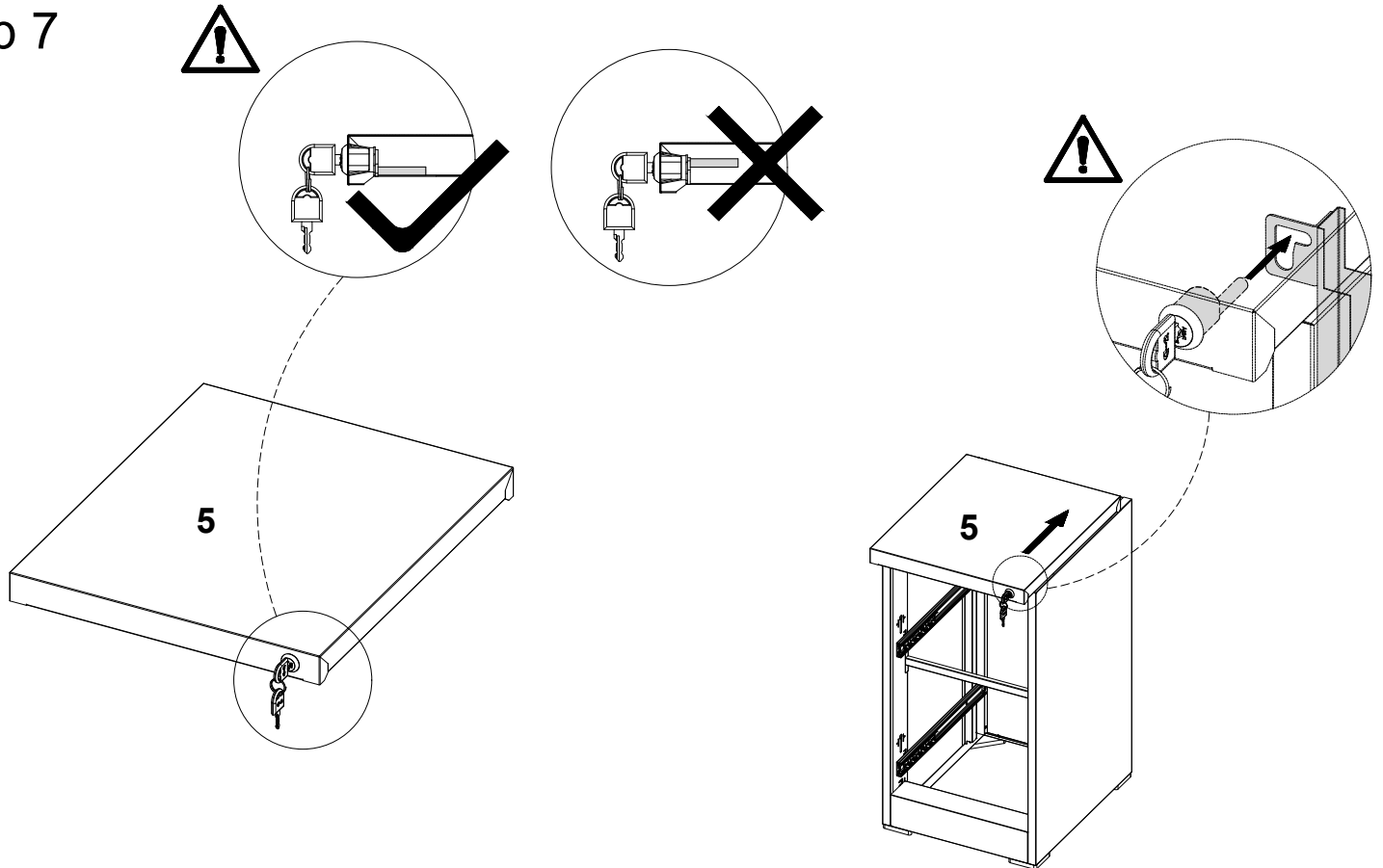


Step 6

Secure Part 6 between part 2 and part 3 by 4 pcs B screws



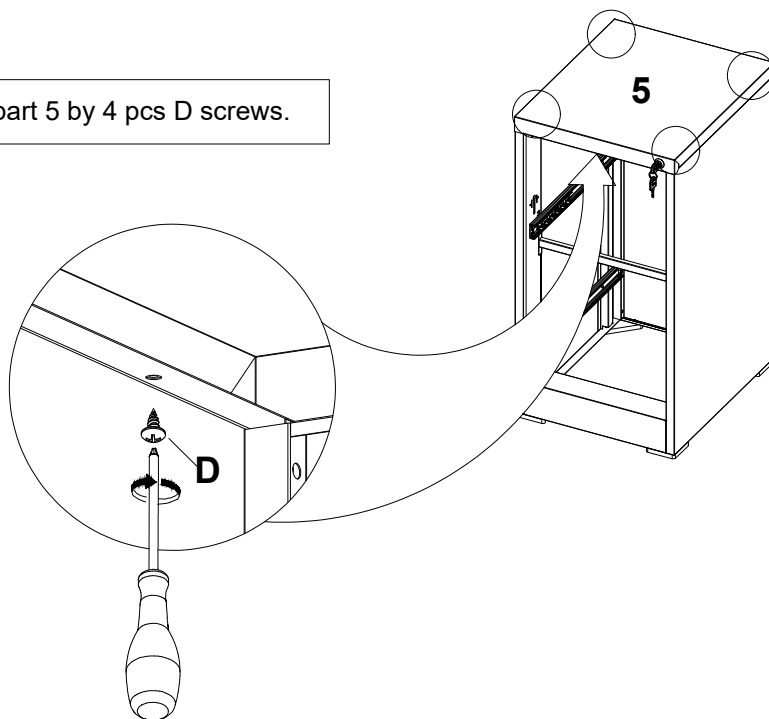
Step 7



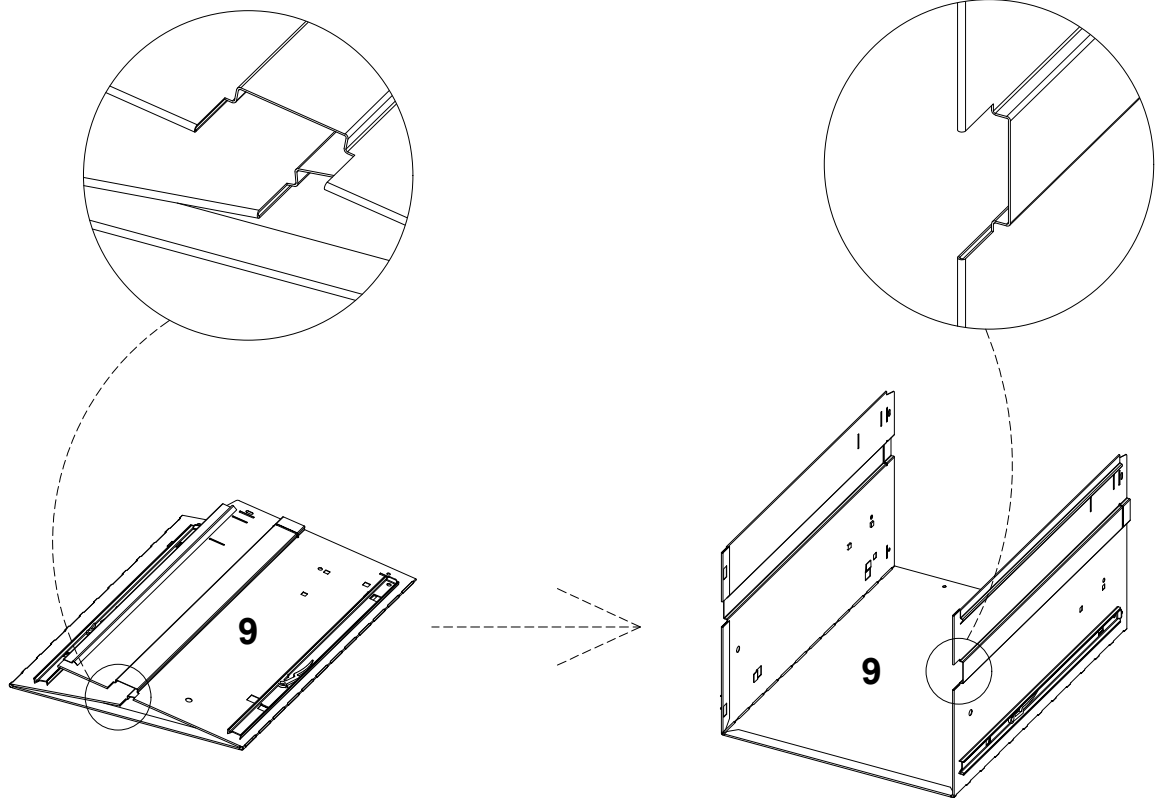
With the lock rod down (refer to the photo direction), insert part 5 to the holes of parts

Step 8

Fix the part 5 by 4 pcs D screws.

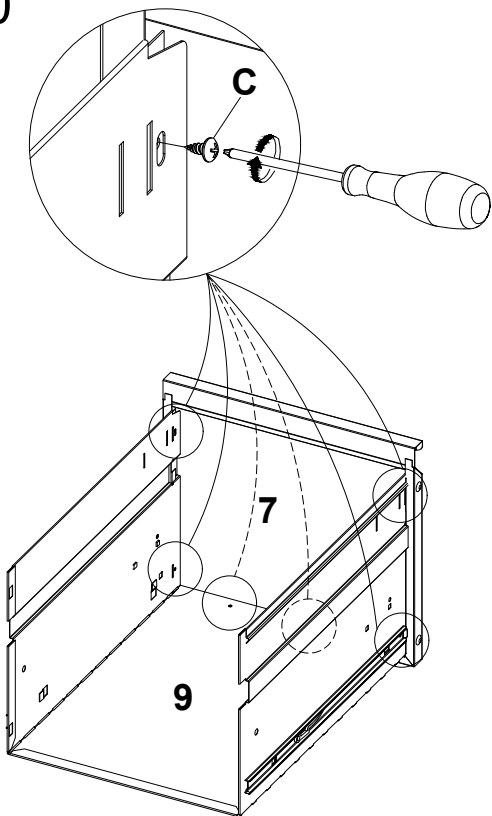


Step 9



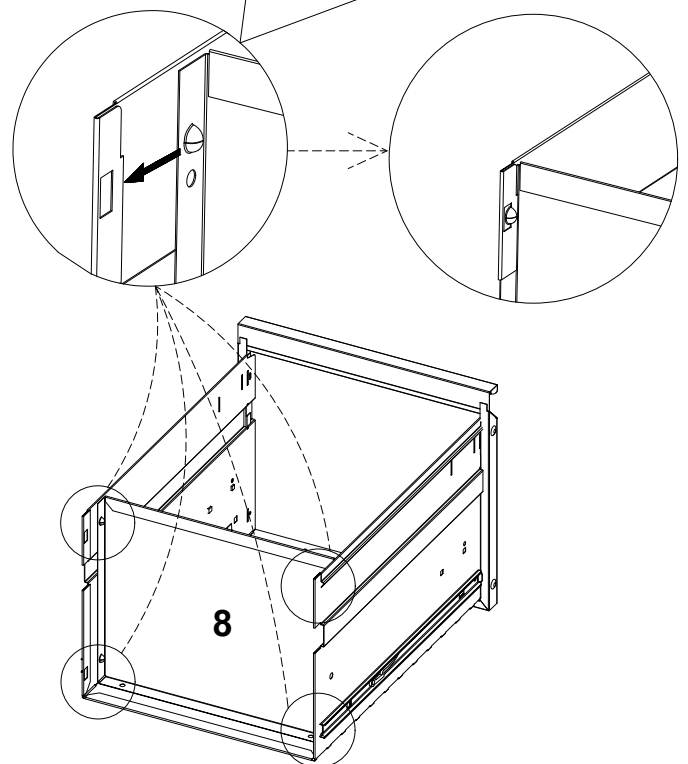
Please open part 9 and straighten the side of the part 9 (drawer)

Step 10



Connecting 7 and 9 together with 6pcs C screws.

Tap part 8 backwards until the edge protrusion snaps into the hole in part 9



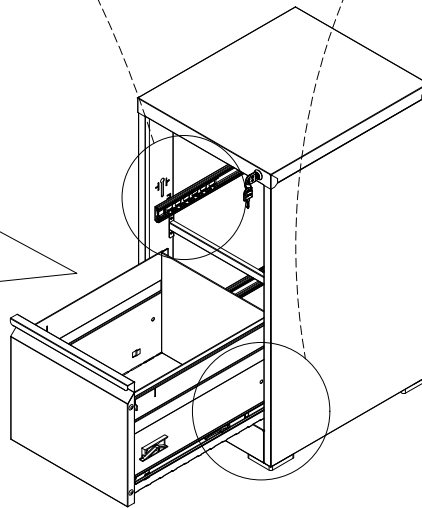
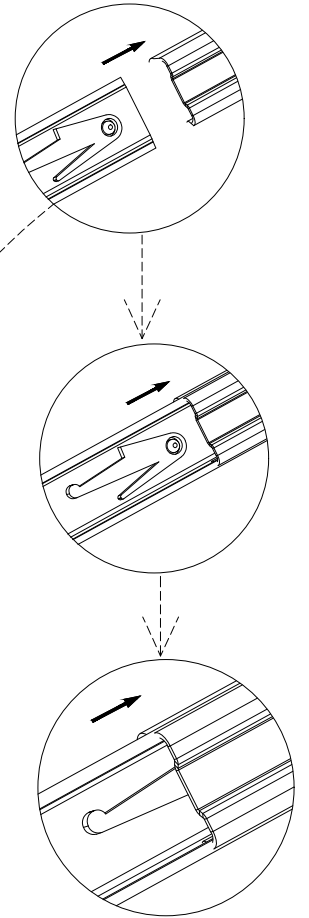
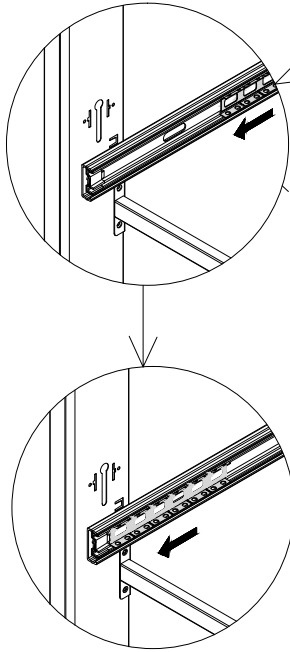
Step 11

STEP A

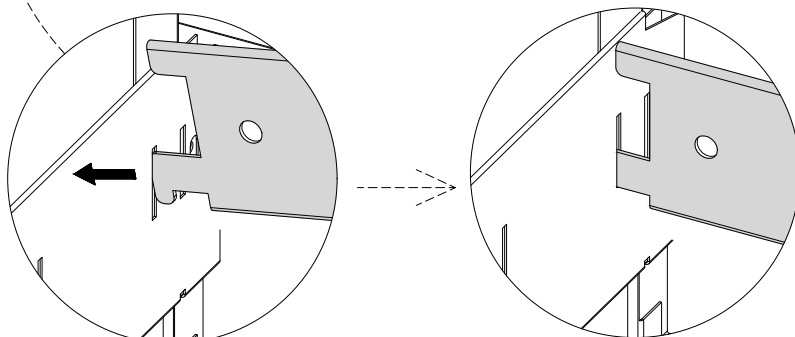
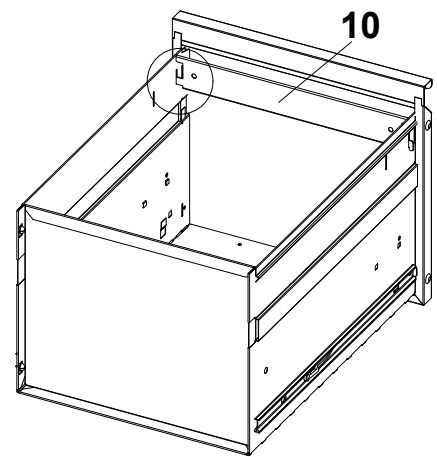
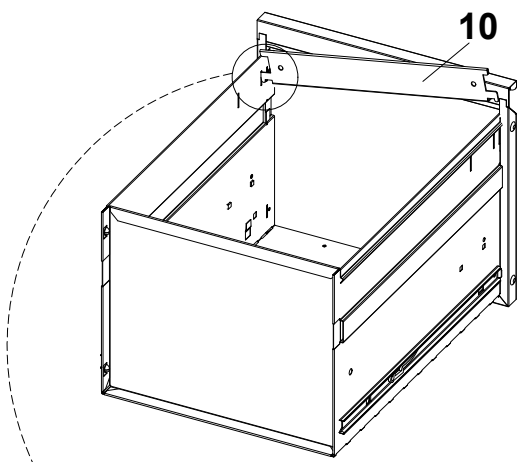
Most important step:A
Slide the steel ball to the
front of the outside of
cabinet firstly

STEP B

B:Insert the inner rails on both sides of the drawer into the outer rails on both sides of the cabinet at the same time.Two people lay the drawer flat and pull it in and out slowly. After pulling it to the end and out slowly twice, the side track works normally.if it works failed, please follow the side track removal instructions,open it and reinstall it.



Step 12



SKU:DSN026BN121A

20005

Step 13

