

INSTALLATION

Product Manual



IMPORTANT INFORMATION!

Please read the entire manual before starting to assemble and/or using this product. Follow the manual thoroughly and keep it for further reference.



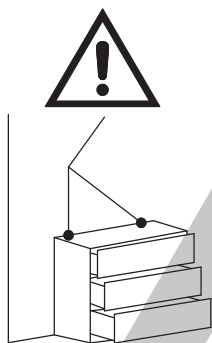
AVOID SCRATCHES!

In order to avoid scratching this furniture should be assembled on a soft layer-could be a rug.



IMPROVE EFFICIENCY !

Try to find a partner to install with you, which can speed up the installation efficiency and shorten the time.



ANTI-TOPPLE WARNING !

Overturnd furniture can cause serious or fatal crush injuries. To prevent tipping over, be sure to use the wall attachment, if not included with this product. Please purchase the wall attachment that fit your wall. If unsure, seek professional advice. Please read and follow each step of the instructions carefully.

IMPORTANT !

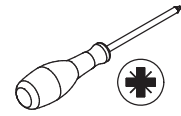
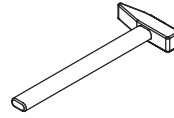
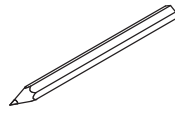
It is important that any product which is assembled using any kind of screw is re-tightened 2 weeks after assembly, and once every 3 months - in order to assure stability through-out the lifespan of the product.

For regular maintenance and cleaning of the product, for the frame, please use a rag dipped in neutral detergent to fully wipe it, and then dry it with a clean rag. For glass materials, wipe with a rag dampened with water glass cleaner, and then dry with a dry rag.

Do not use an electric screwdriver, and do not use too much force when installing, because the board is easy to break.

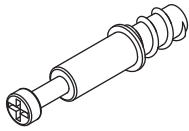


Please prepare the following tools



When installing, please carefully confirm whether each screw corresponds to the manual, accessories with similar shapes can be distinguished by size

A x 92+4



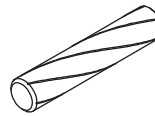
Ø 6 x 35 mm

B x 92+4



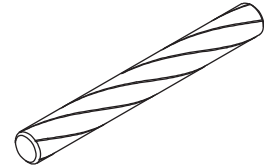
Ø 15 x 9 mm

C x 60+4



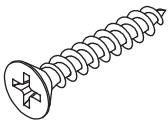
Ø 6 x 30 mm

D x 6+1



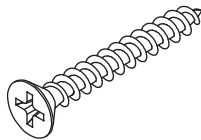
Ø 6 x 50 mm

E x 22+2



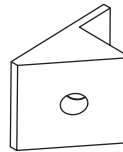
Ø 4 x 35 mm

F x 4+1



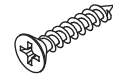
Ø 4 x 45 mm

G x 18+2



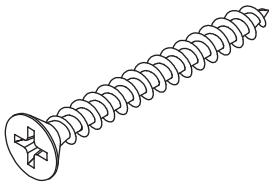
10 x 10 mm

H x 18+2



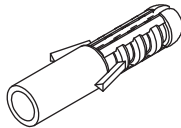
Ø 3 x 14 mm

J x 8+1



Ø 5 x 50 mm

K x 8+1



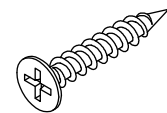
Ø 7.5 x 40 mm

L x 71+4

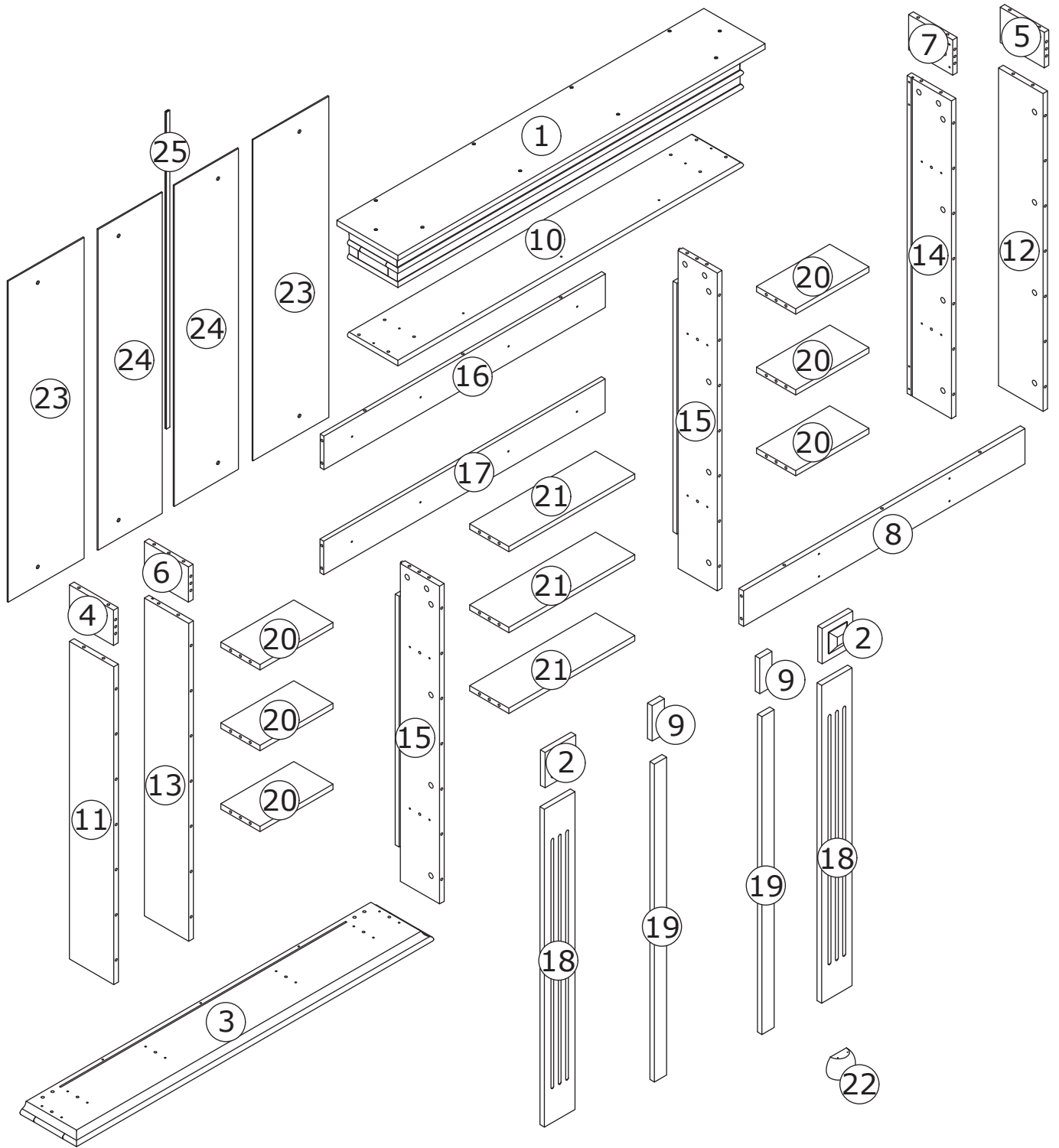


Ø 20 mm

M x 4+1



Ø 4 x 25mm



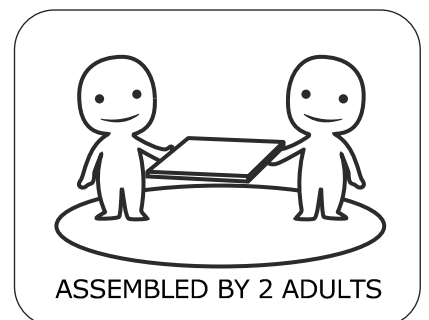
⚠ WARNING

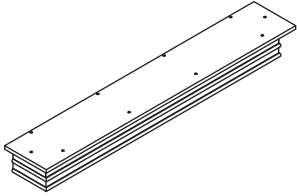

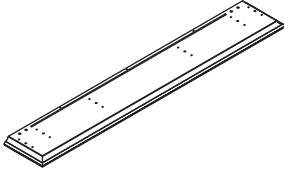
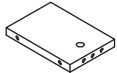
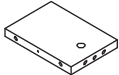
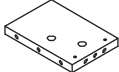
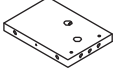
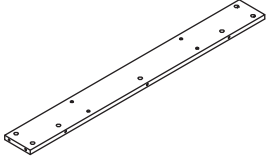
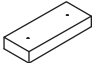
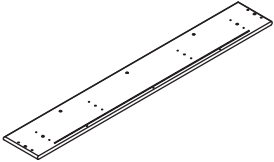
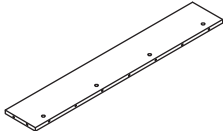
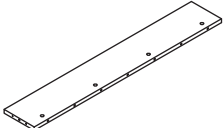
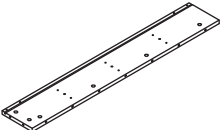
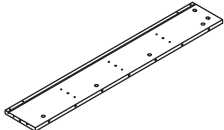
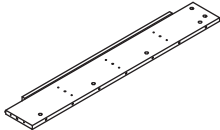
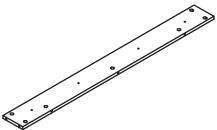
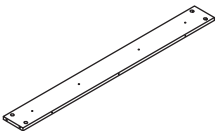
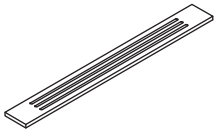
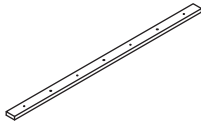
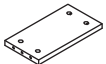


Children have died from furniture tipover. To reduce the risk of furniture tipover:

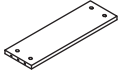
- ALWAYS install Anti-tip device provided.
- NEVER put a TV on this product.
- NEVER allow children to stand, climb or hang on drawers, doors, or shelves.
- NEVER open more than one drawer at a time.
- Place heaviest items in the lowest drawers.

*This is a permanent label.
Do not remove!*



<p>① x1</p> 	<p>② x2</p> 	<p>③ x1</p> 	<p>④ x1</p> 
<p>⑤ x1</p> 	<p>⑥ x1</p> 	<p>⑦ x1</p> 	<p>⑧ x1</p> 
<p>⑨ x2</p> 	<p>⑩ x1</p> 	<p>⑪ x1</p> 	<p>⑫ x1</p> 
<p>⑬ x1</p> 	<p>⑭ x1</p> 	<p>⑮ x2</p> 	<p>⑯ x1</p> 
<p>⑰ x1</p> 	<p>⑱ x2</p> 	<p>⑲ x2</p> 	<p>⑳ x6</p> 

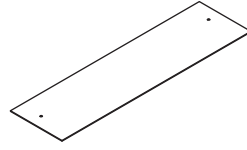
21 x3



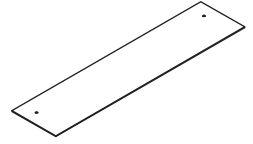
22 x2



23 x2



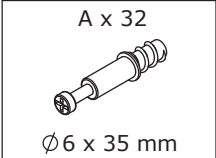
24 x2



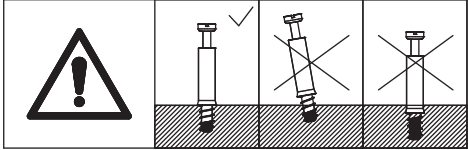
25 x1



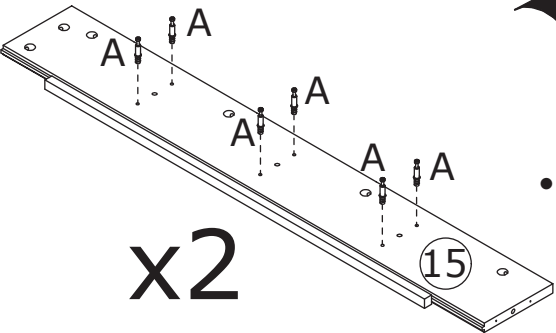
1



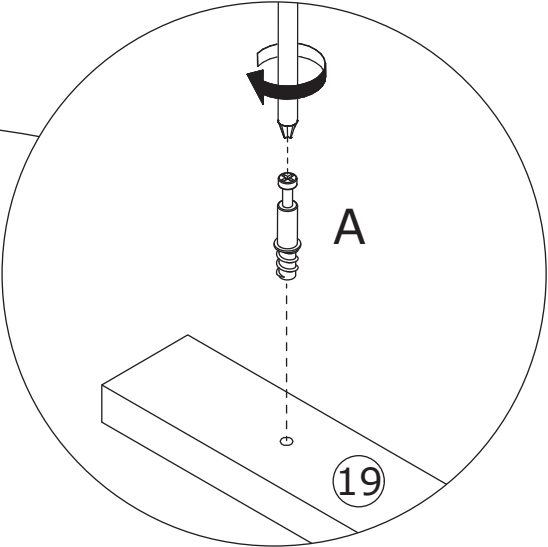
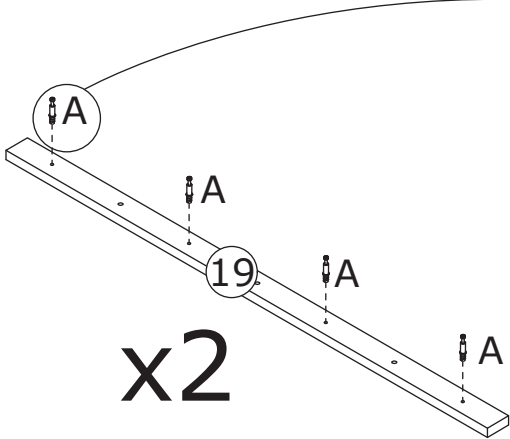
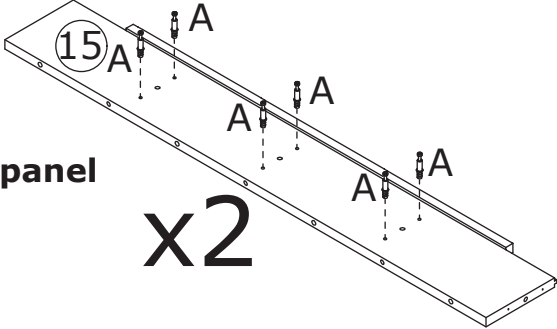
Screw eccentric rod (A) onto part 15 and 19.



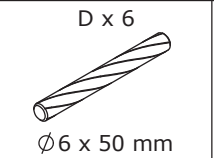
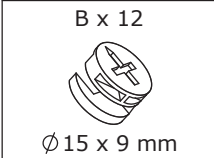
Flip to back



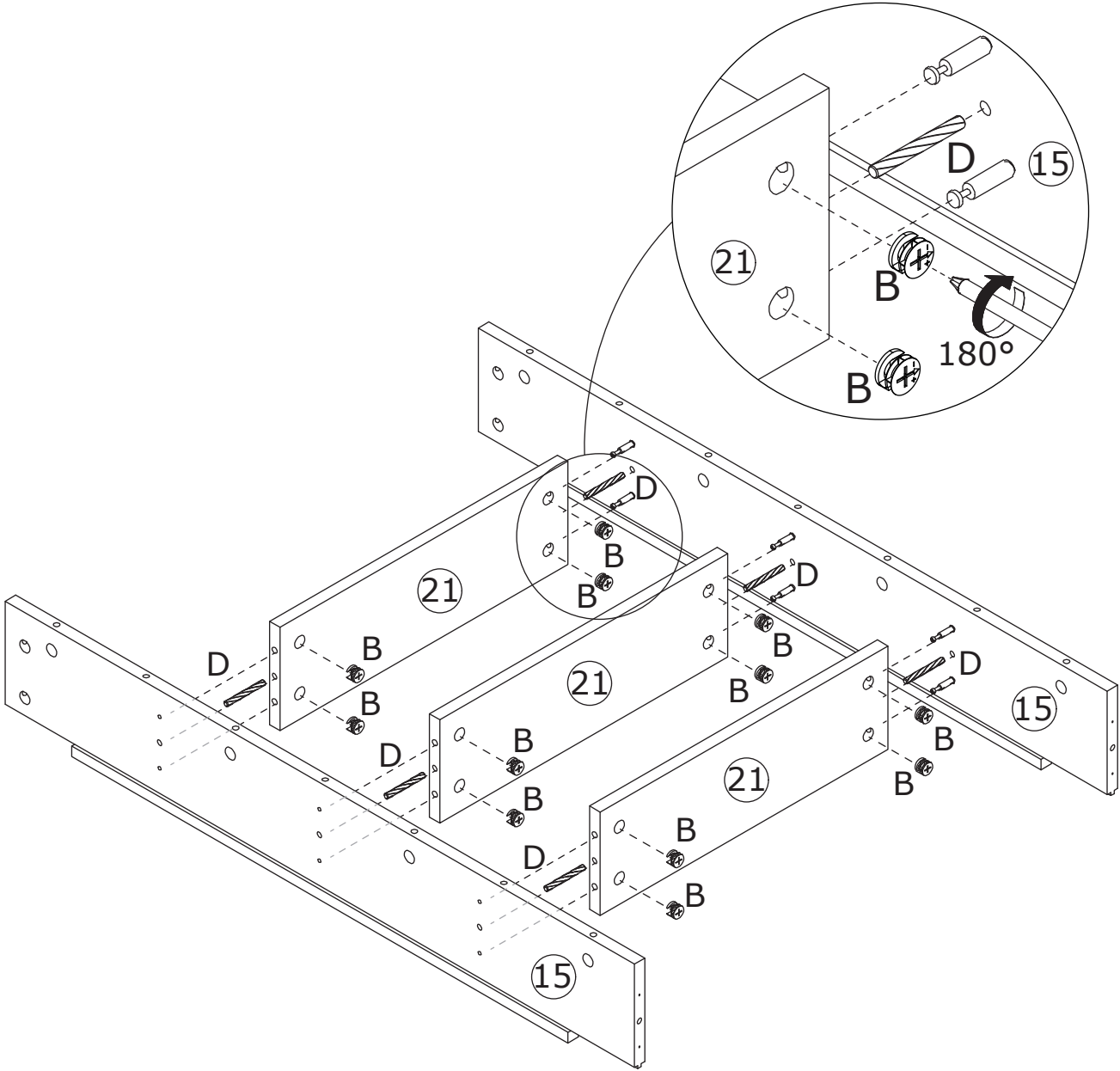
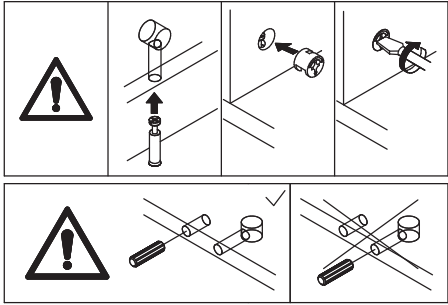
• Same panel




2



Connect part 15 to part 21 using wooden dowel (D), then tighten by turning cam lock (B) clockwise as shown.

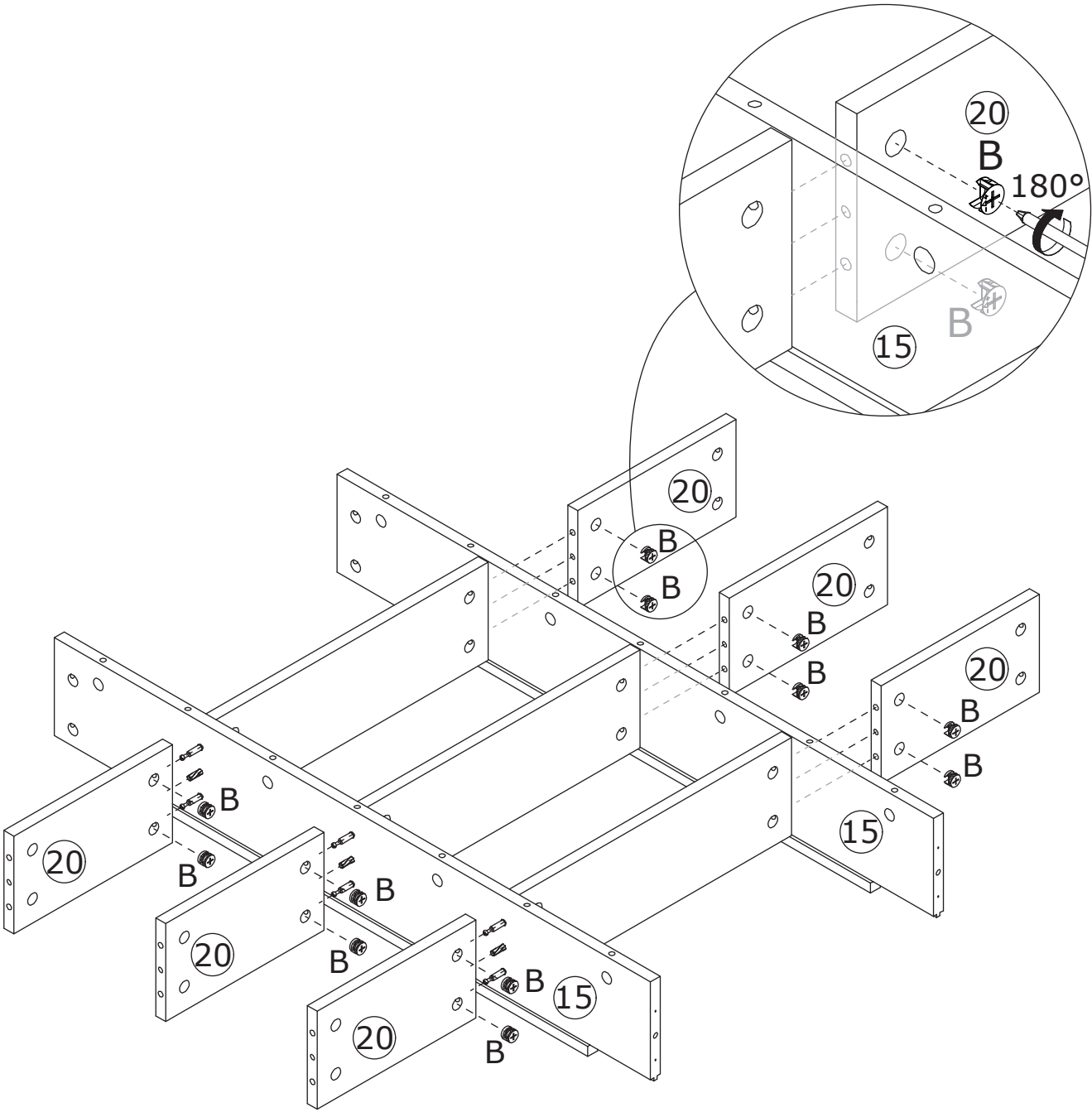
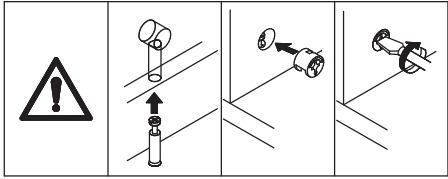


3

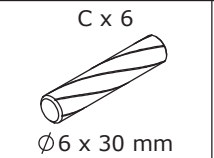
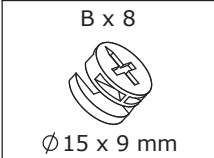
B x 12

Ø15 x 9 mm



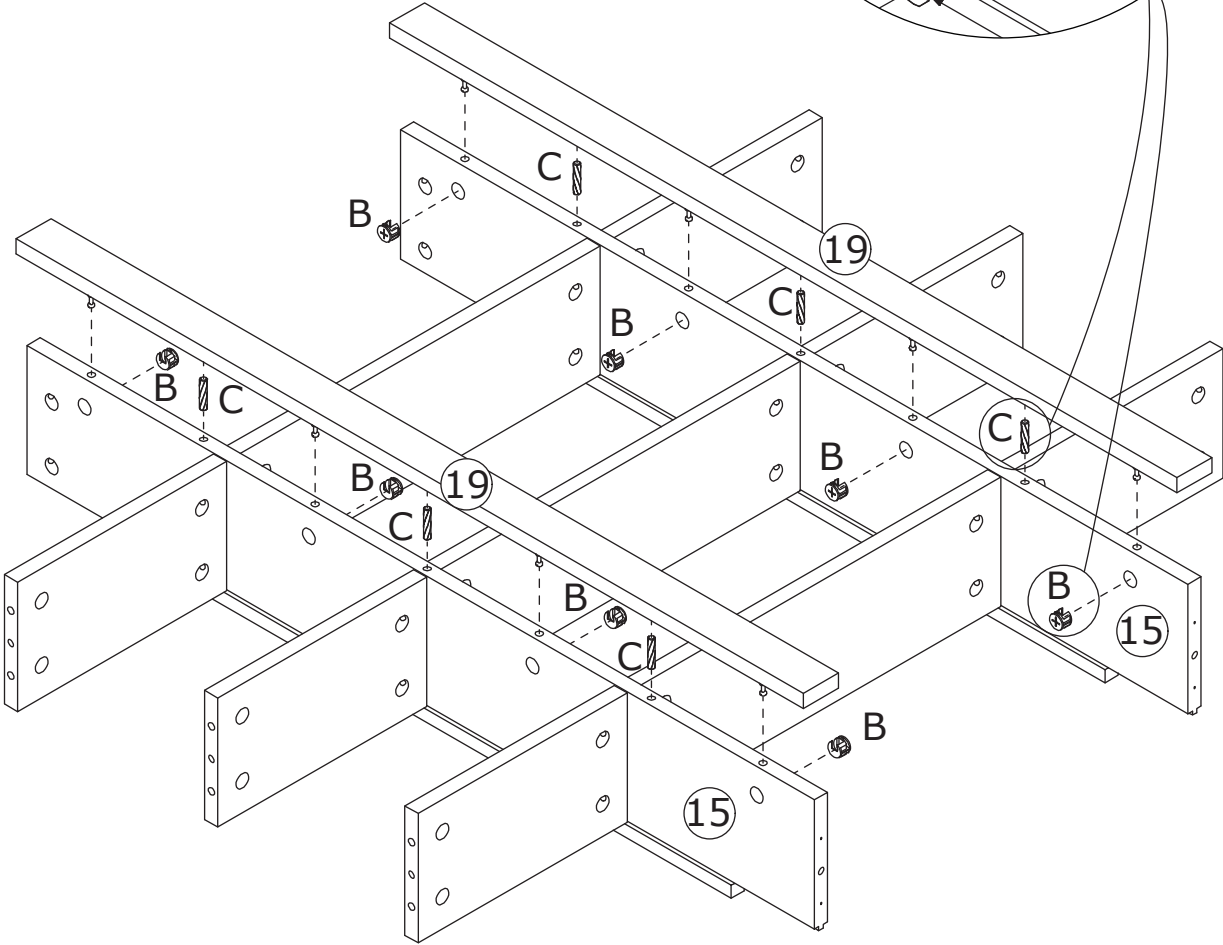
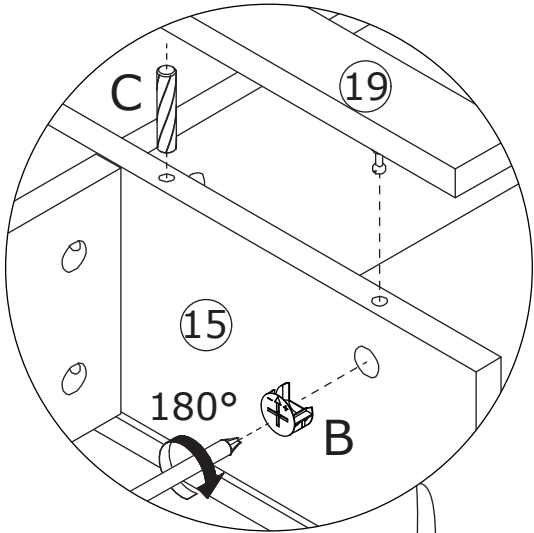
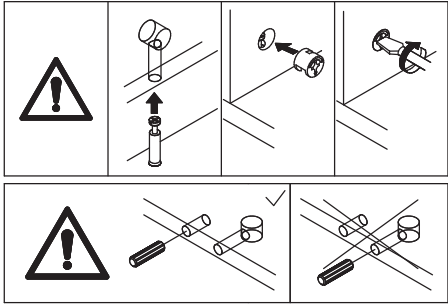
Attach part 20 to part 15, then tighten by turning cam lock (B) clockwise as shown.



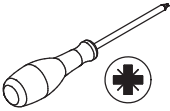
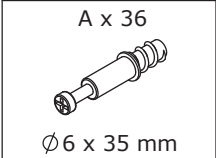
4



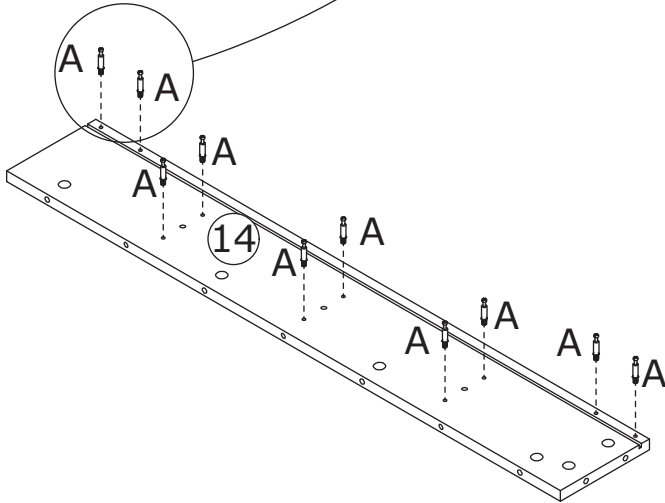
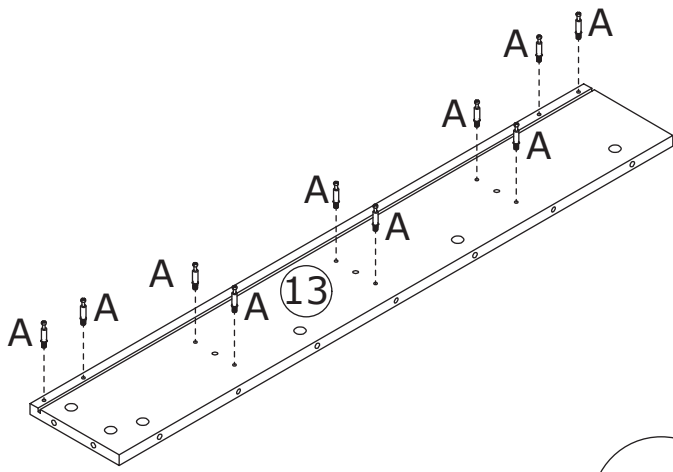
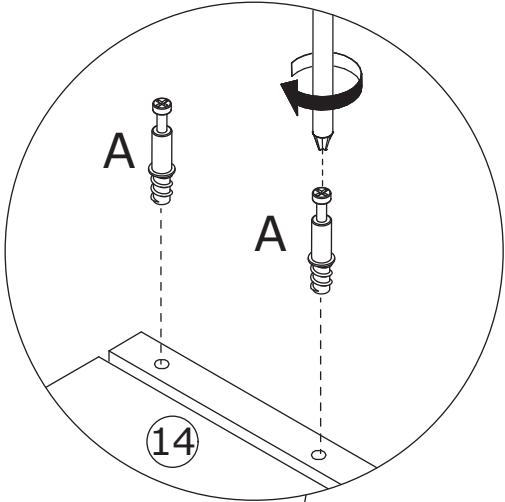
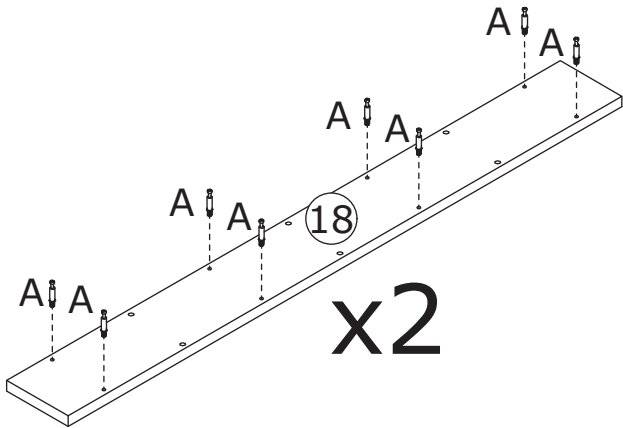
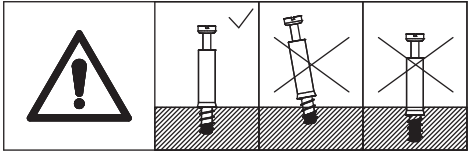
Attach part 19 to part 15 using wooden dowel (C), then tighten by turning cam lock (B) clockwise as shown.



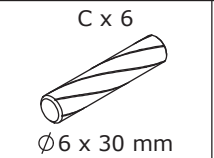
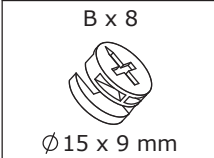
5



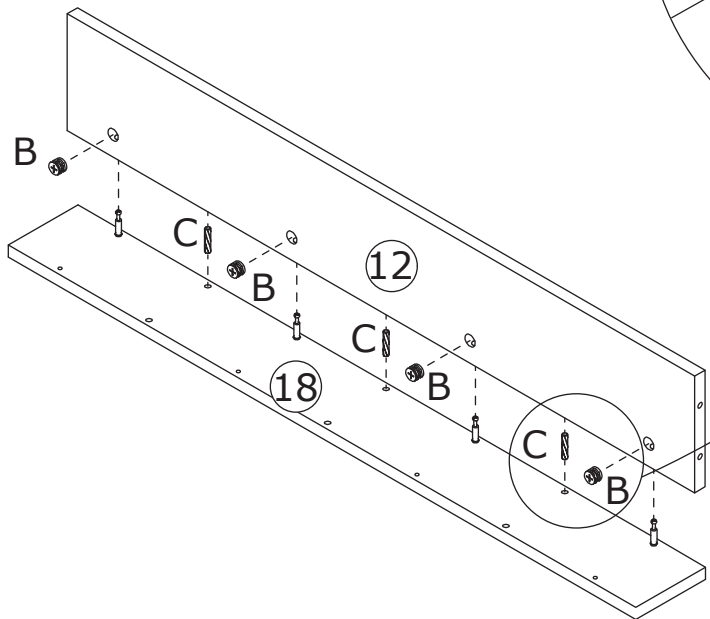
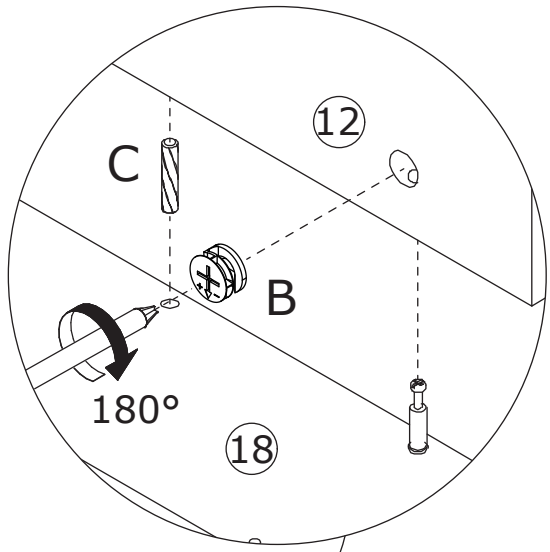
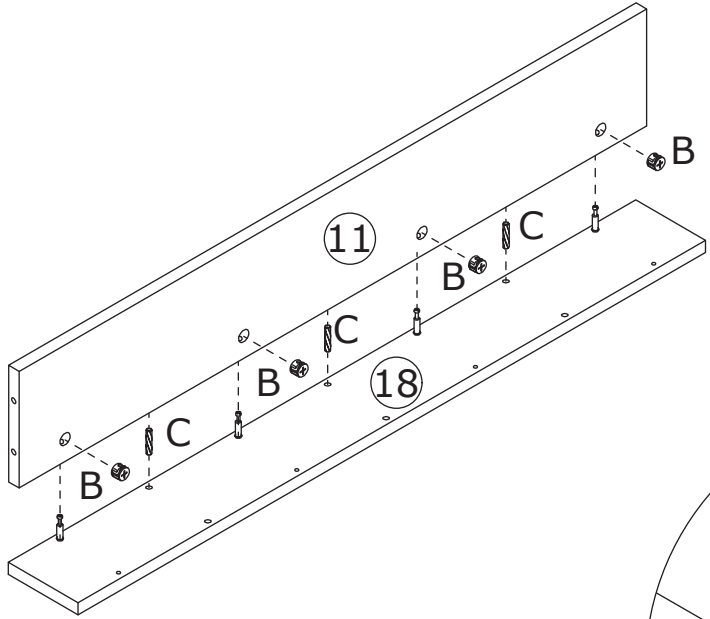
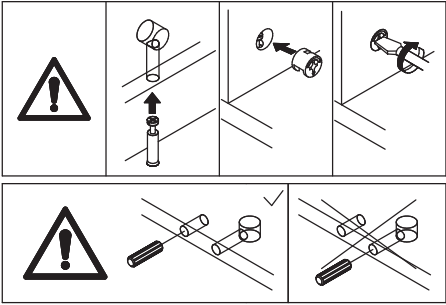
Screw eccentric rod (A) onto part 13, 14, and 18.



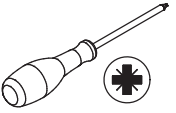
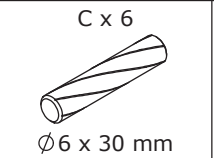
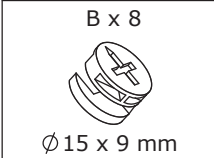
6



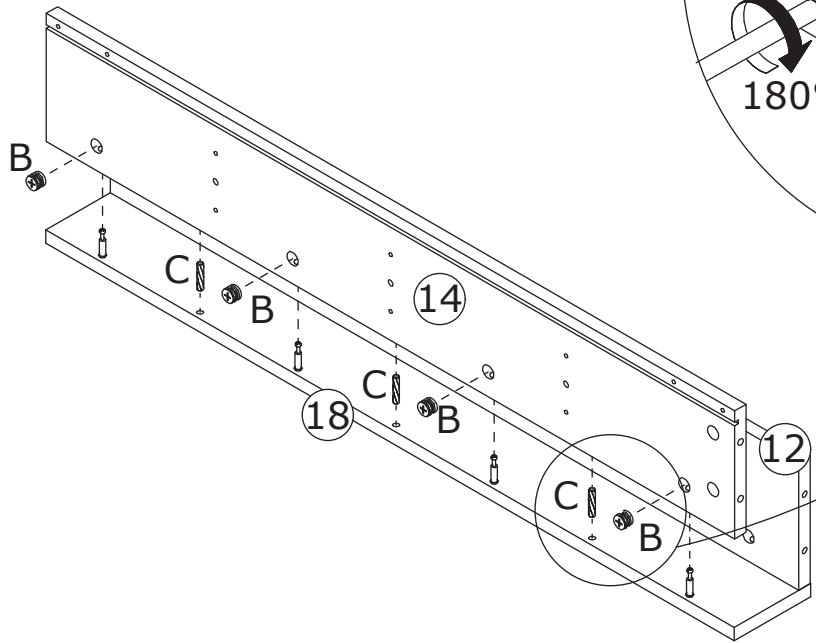
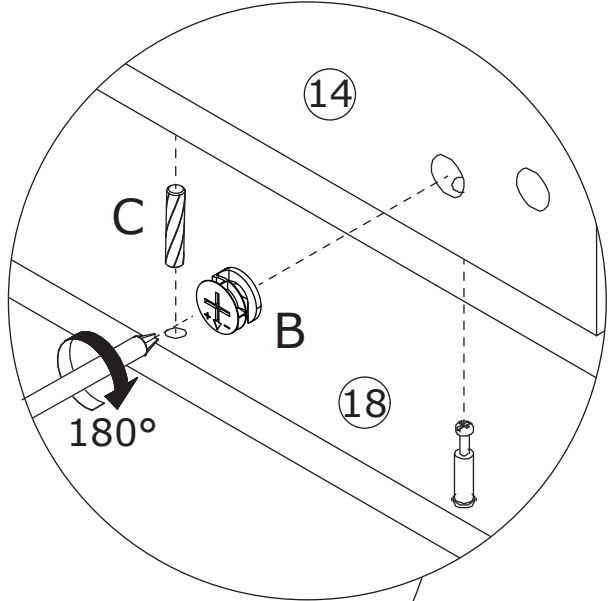
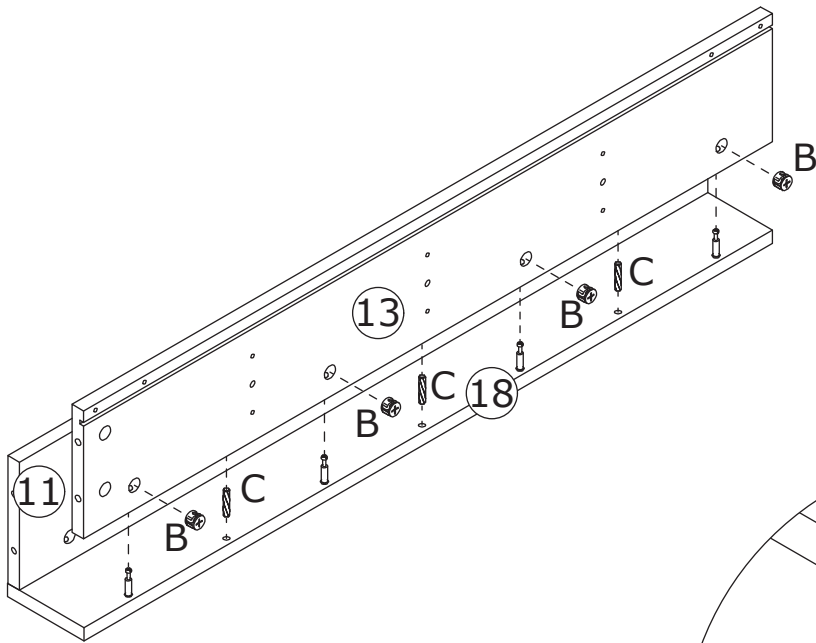
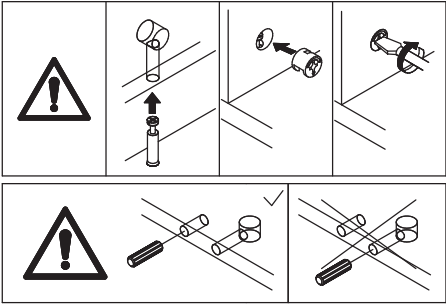
Attach part 11 and 12 to part 18 respectively using wooden dowel (C), then tighten by turning cam lock (B) clockwise as shown.



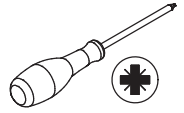
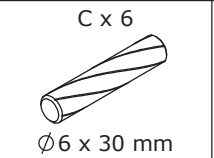
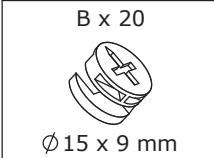
7



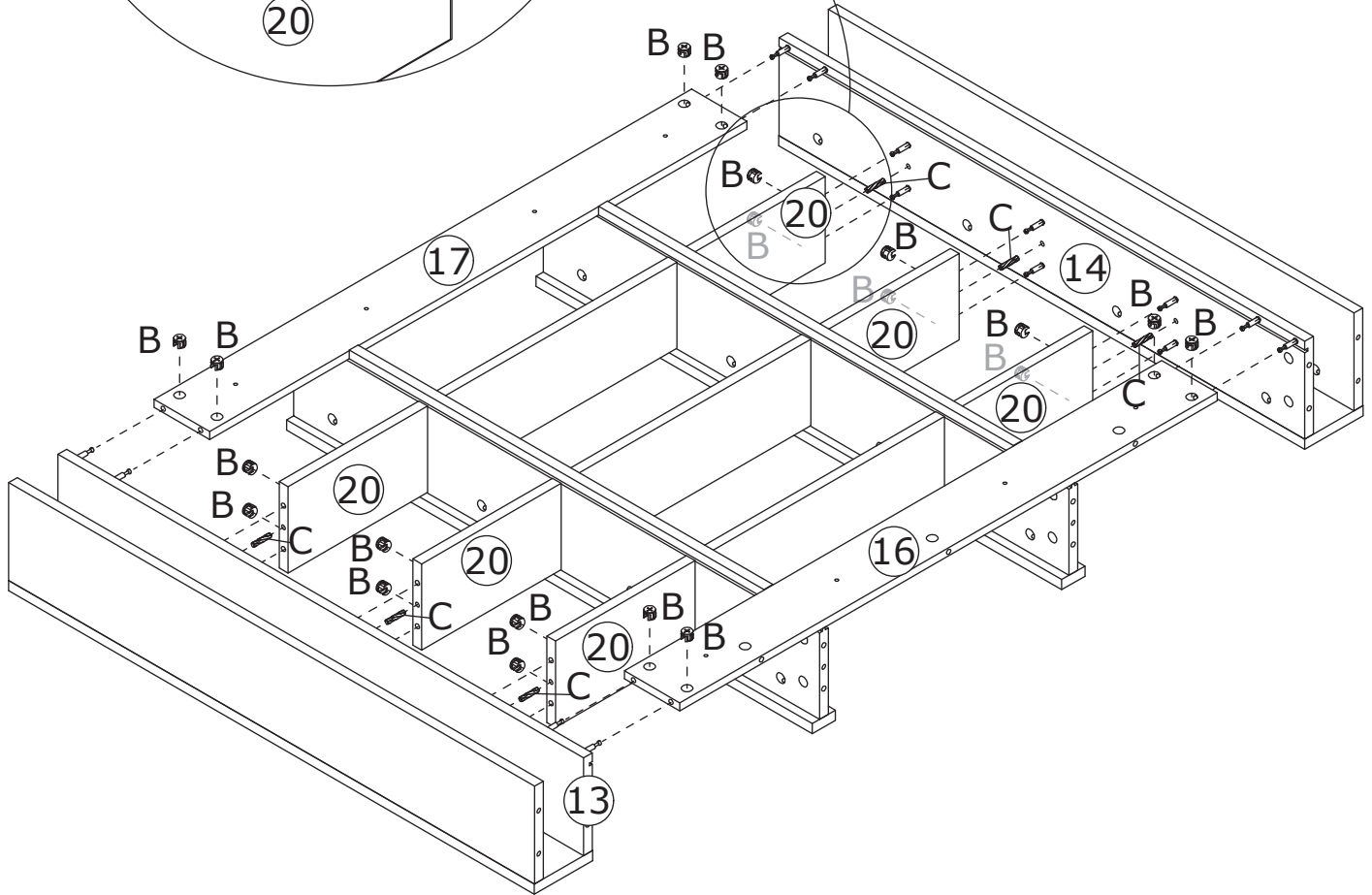
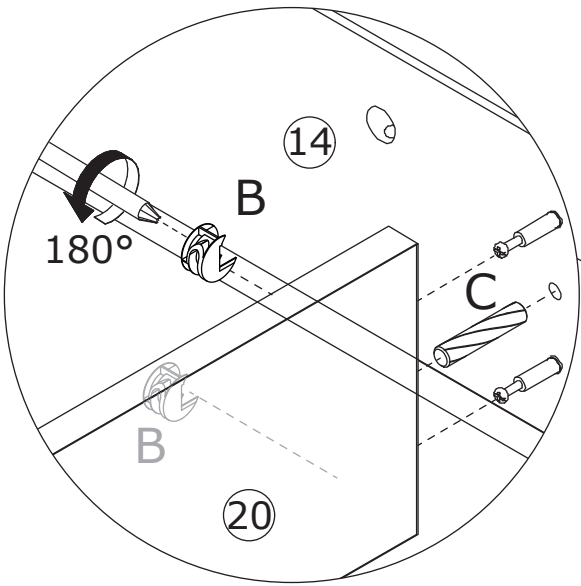
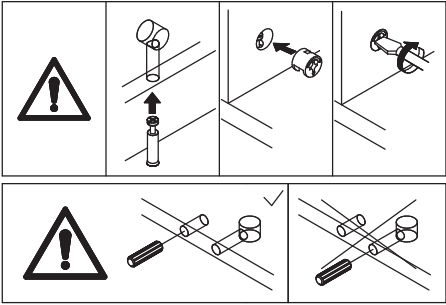
Attach part 13 and 14 to part 18 respectively using wooden dowel (C), then tighten by turning cam lock (B) clockwise as shown.



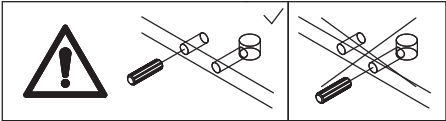
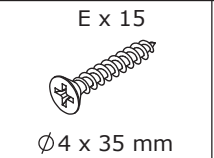
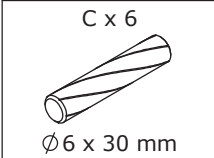
8



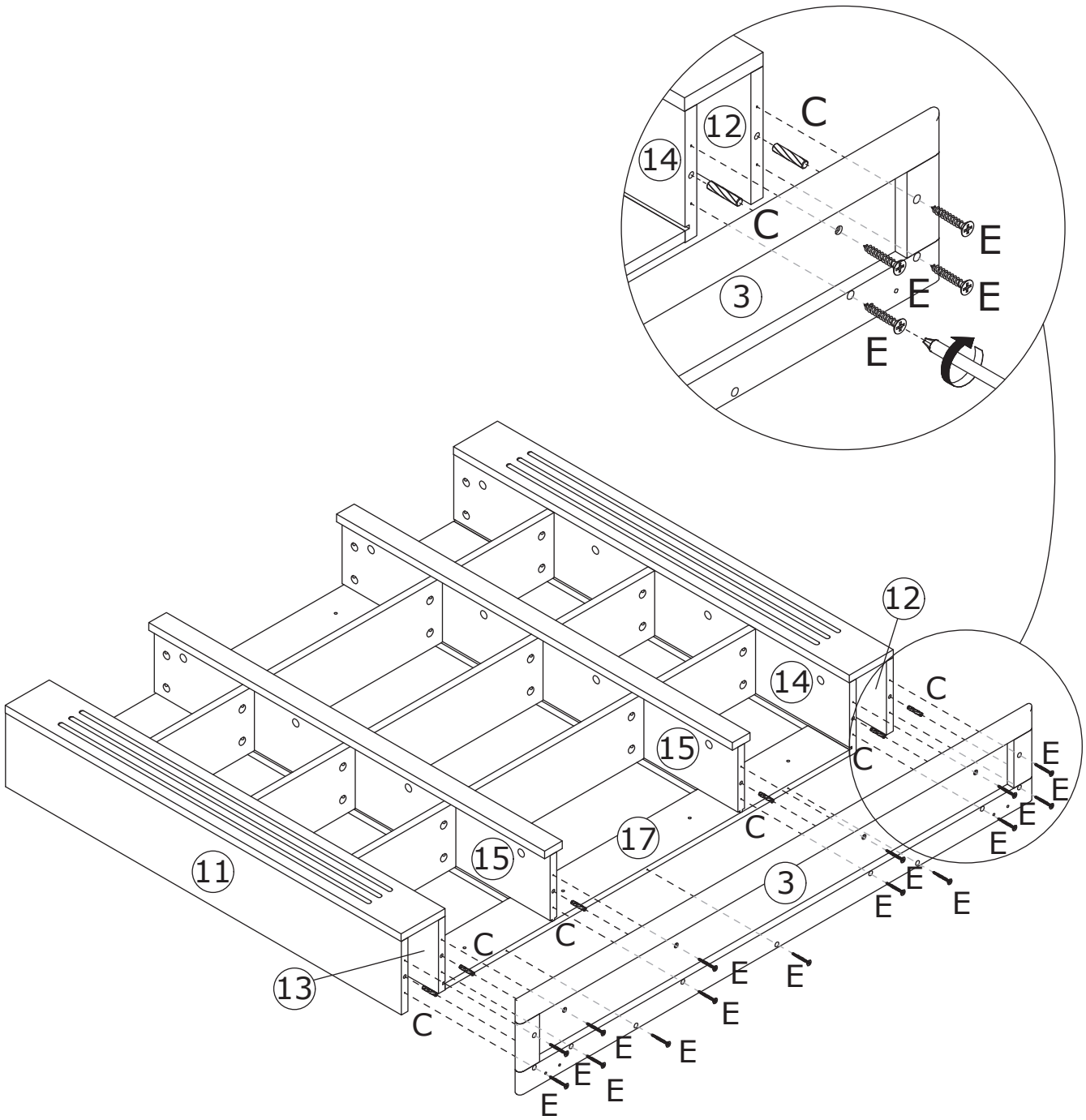
Connect part 13 and 14 to part 16, 17 and 20 using wooden dowel (C), then tighten by turning cam lock (B) clockwise as shown.



9

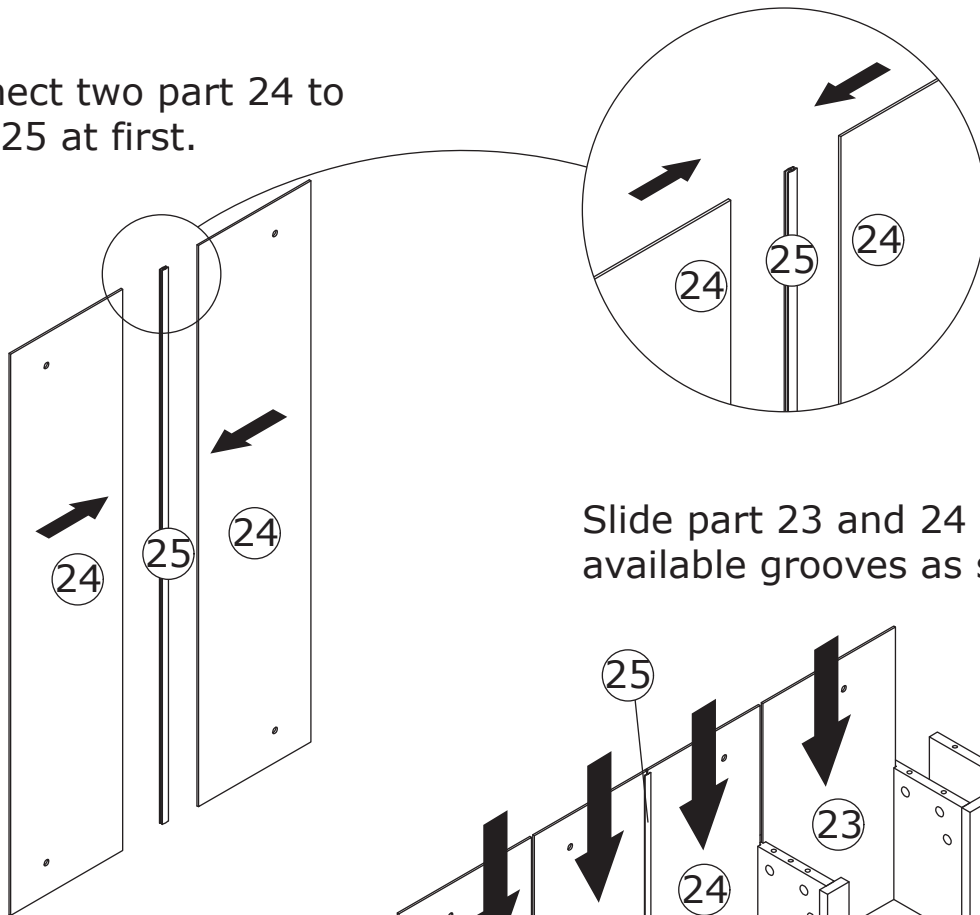


Attach part 3 to the assembled component using wooden dowel (C), and secure with screw (E) as shown.

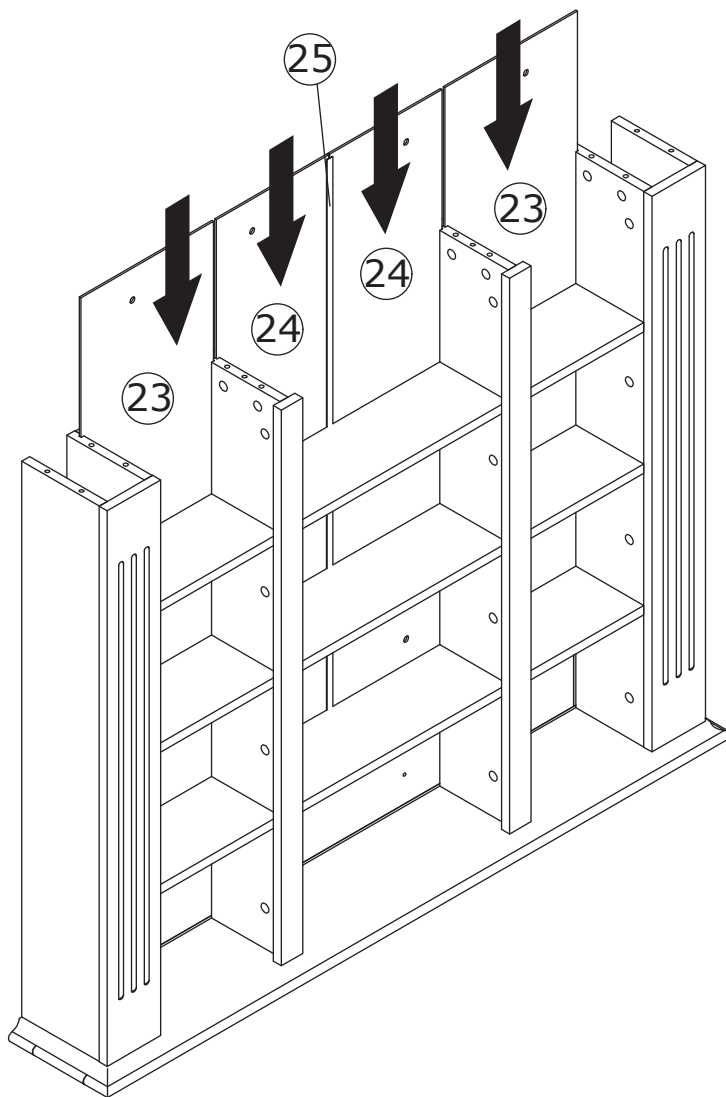


10

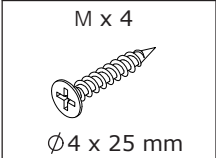
Connect two part 24 to part 25 at first.



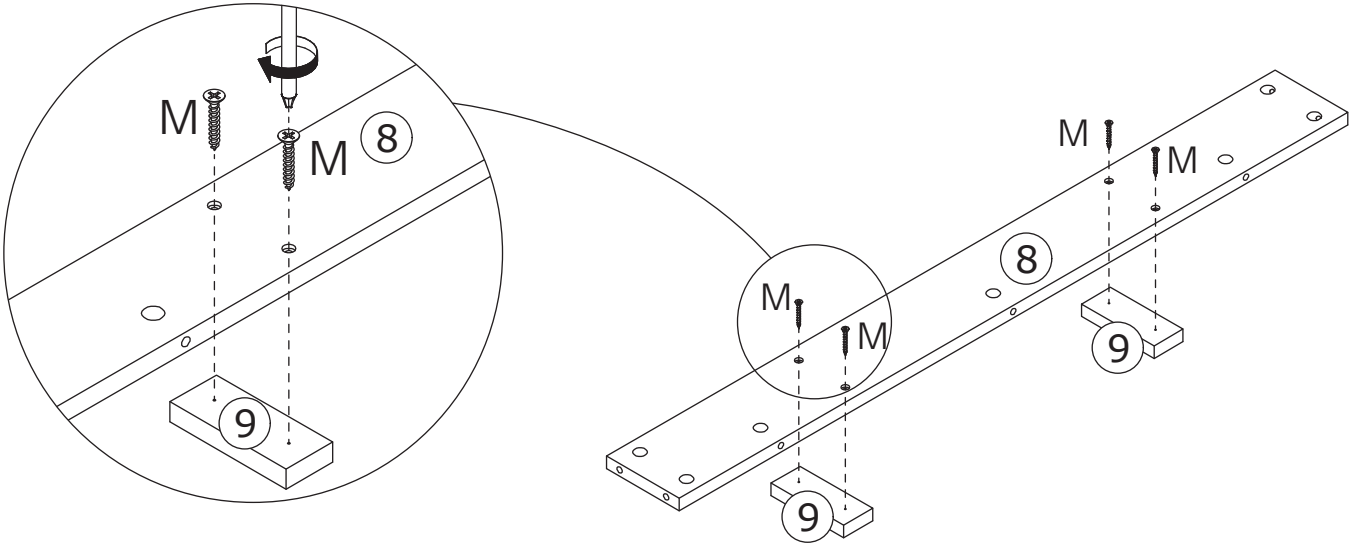
Slide part 23 and 24 along the available grooves as shown.



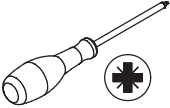
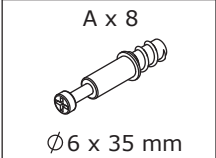
11



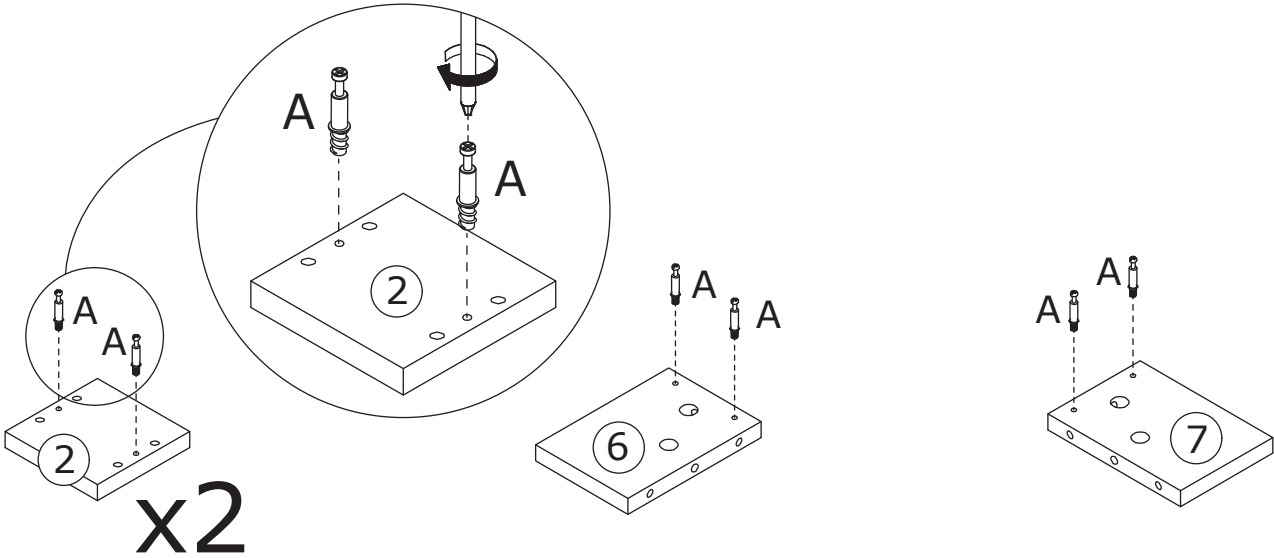
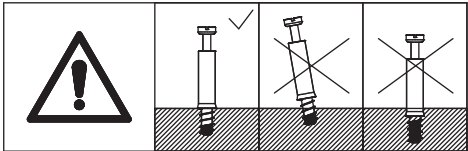
Secure part 8 to part 9 using screw (M) as shown.



12



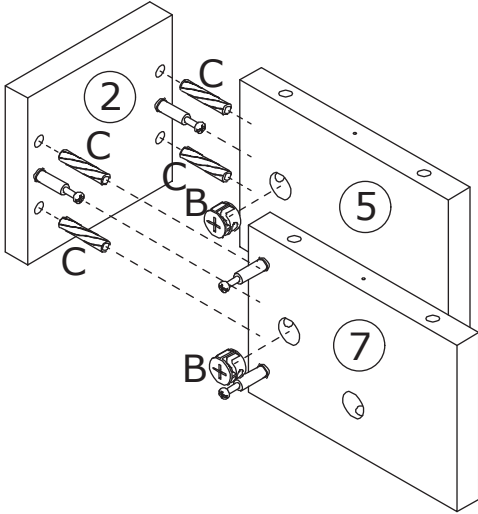
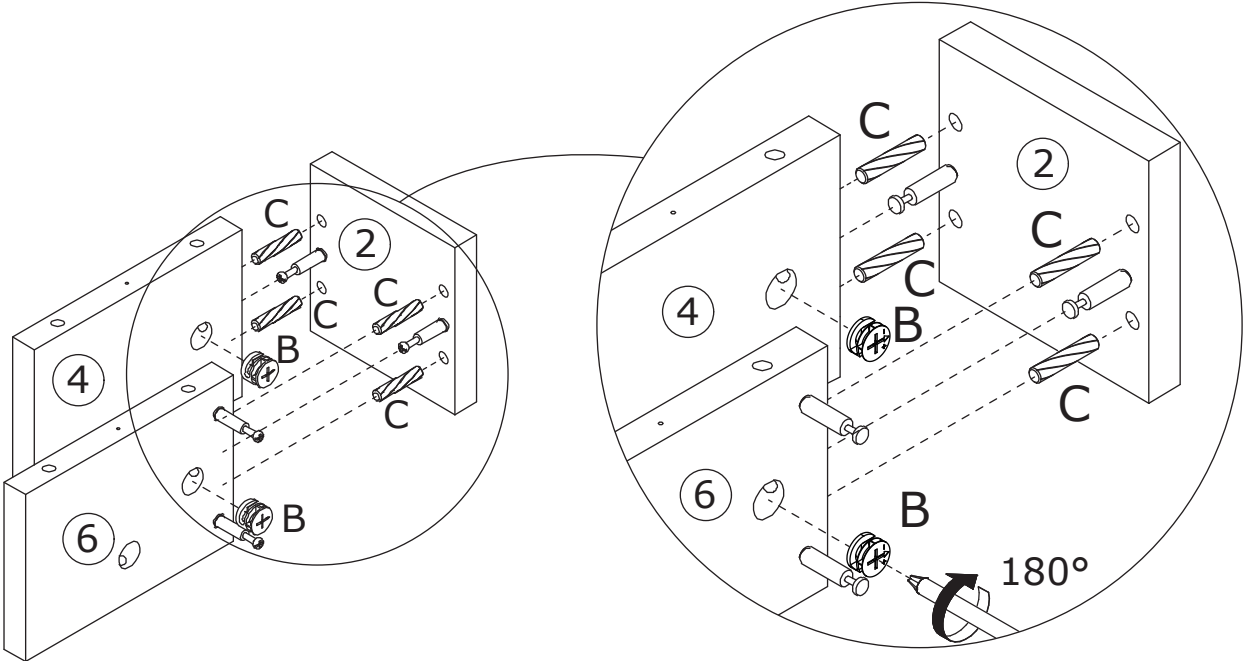
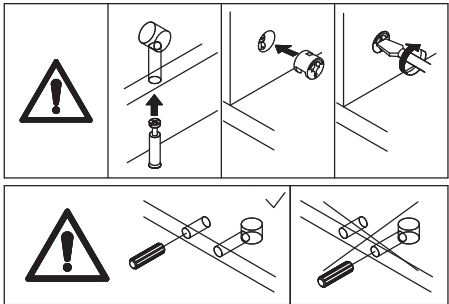
Screw eccentric rod (A) onto part 2, 6 and 7 as shown.



13

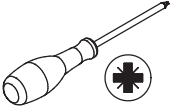


Attach part 4 and 6 to part 2, part 5 and 7 to part 2 using wooden dowel (C), then tighten by turning cam lock (B) clockwise as shown.

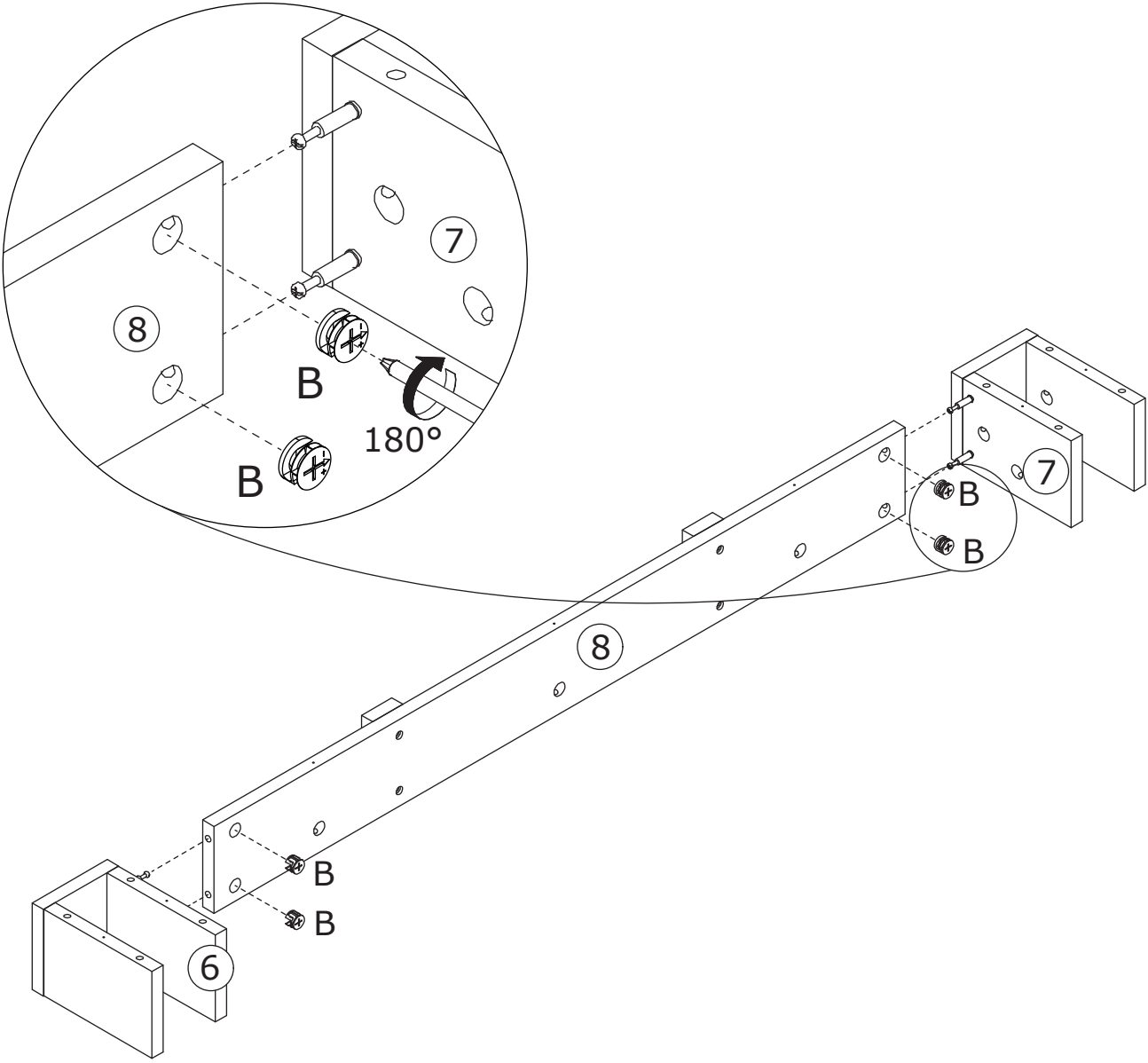
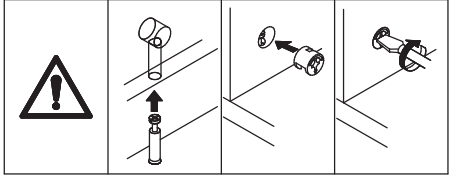


14

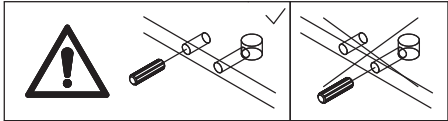
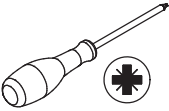
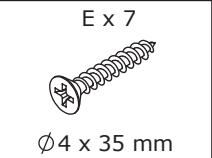
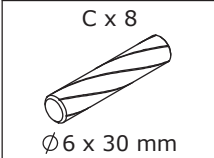
B x 4
Ø15 x 9 mm



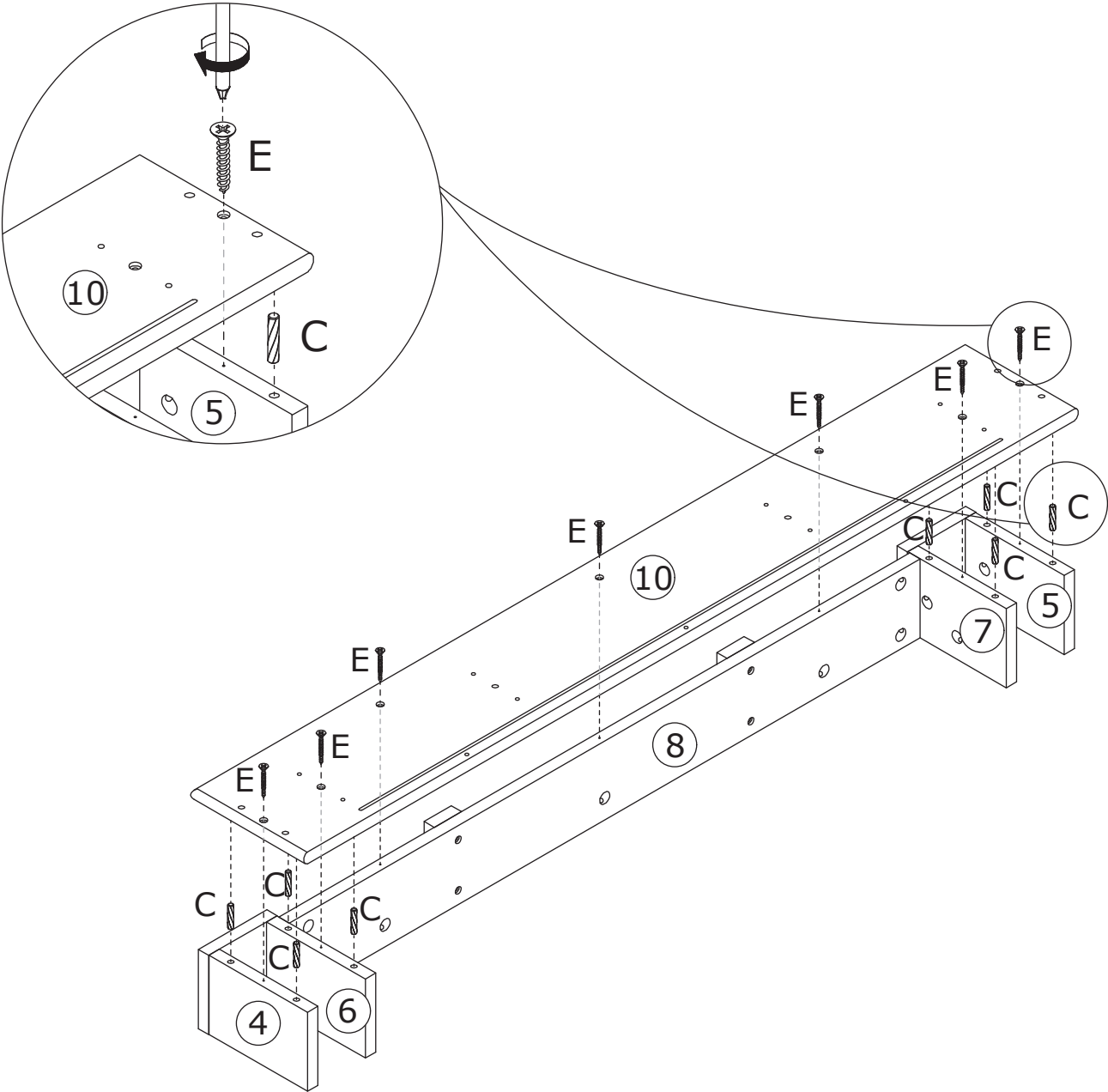
Connect part 6 and 7 to part 8, then tighten by turning cam lock (B) clockwise as shown.



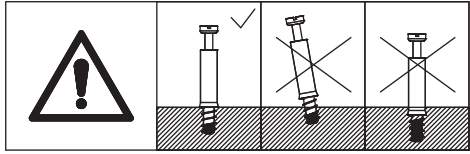
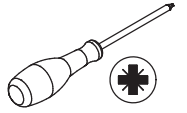
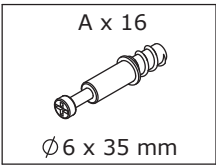
15



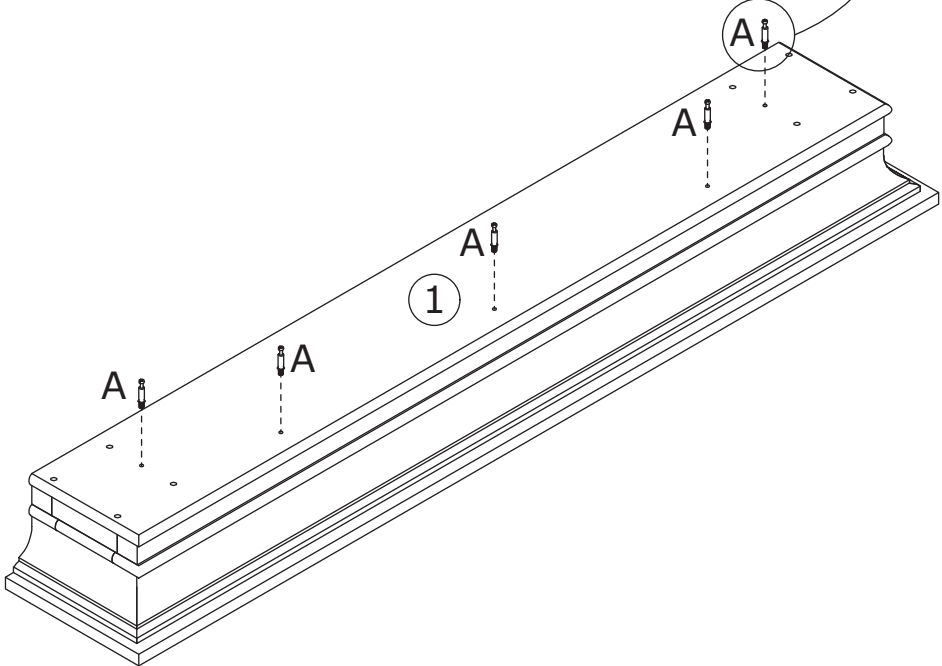
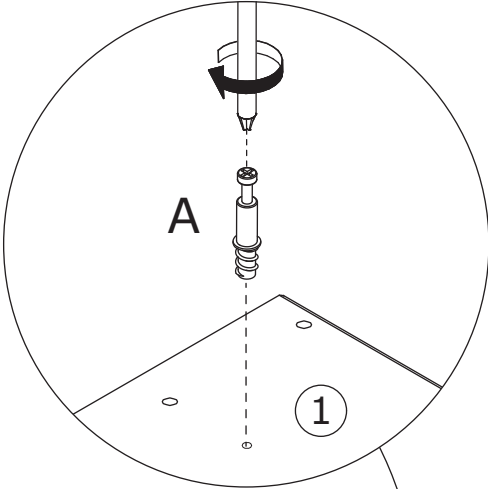
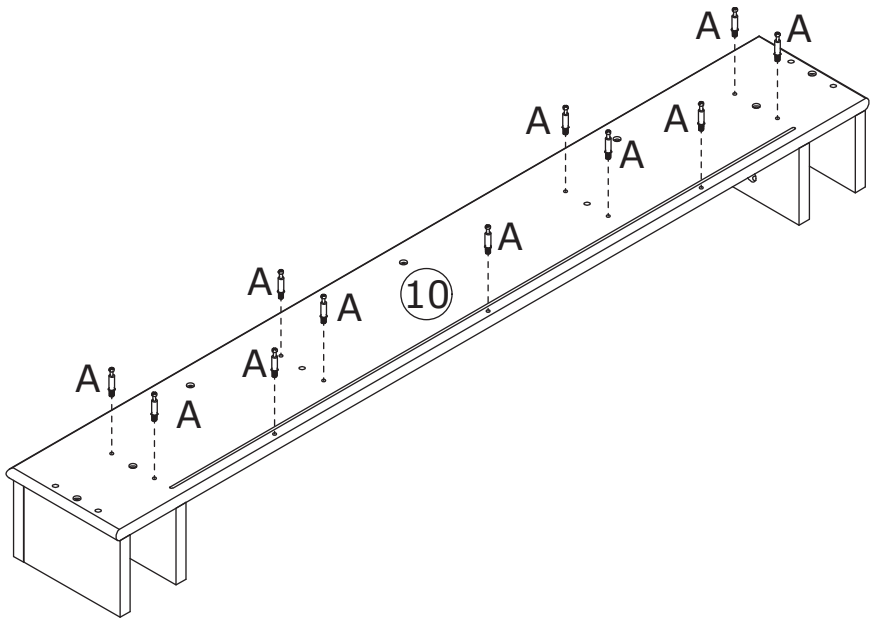
Attach part 10 to the assembled component using wooden dowel (C), and secure with screw (E) as shown.



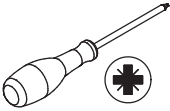
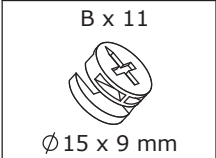
16



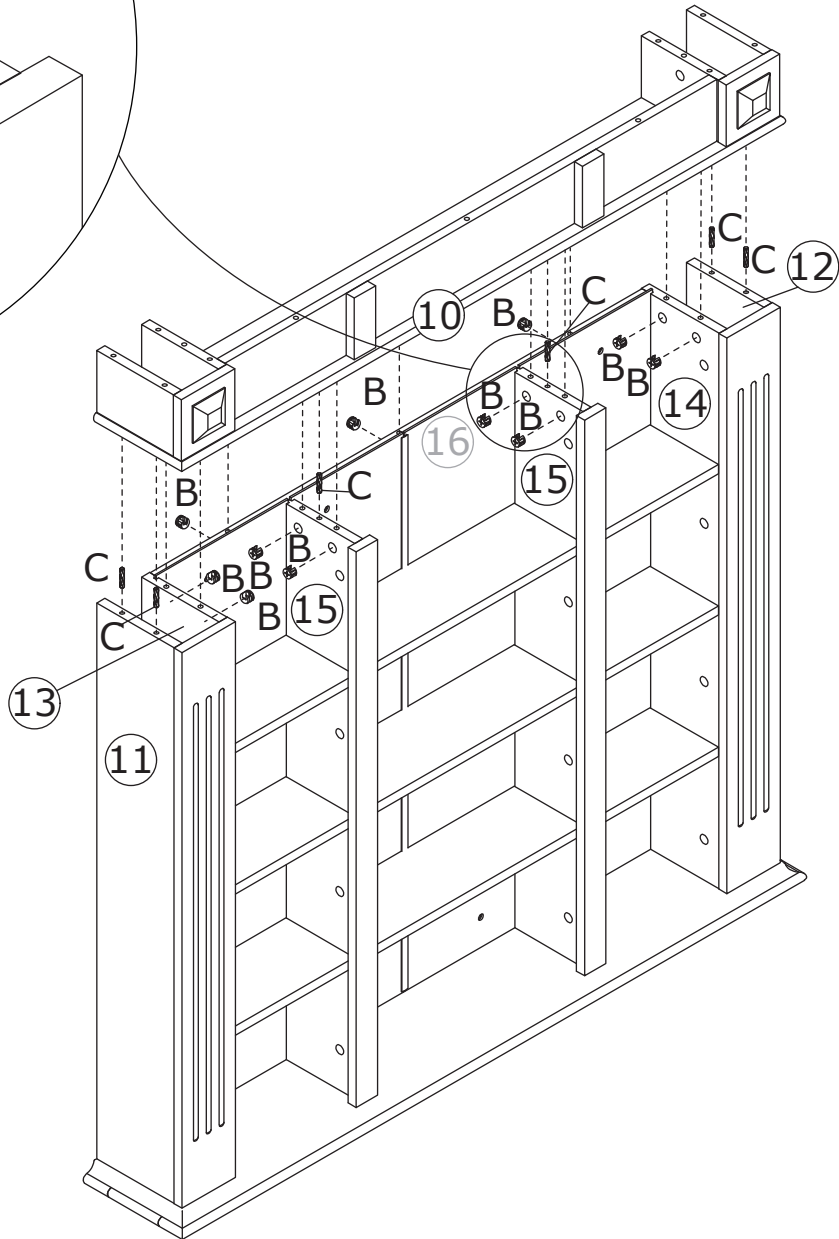
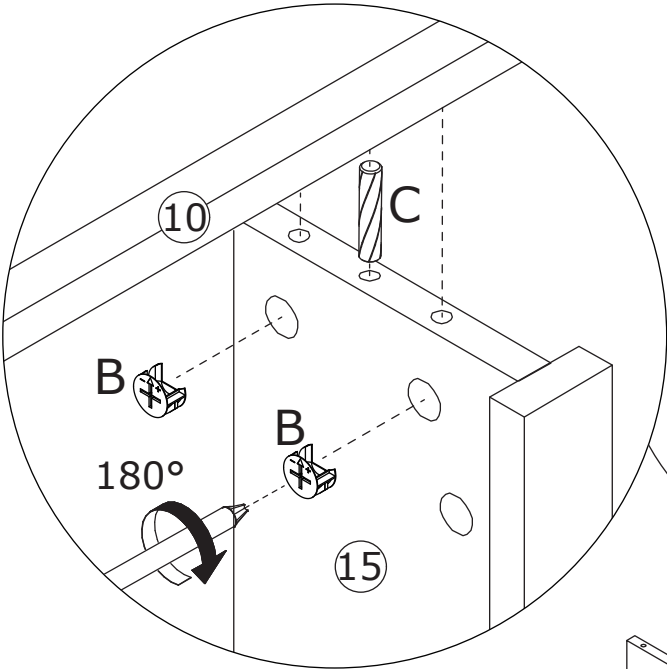
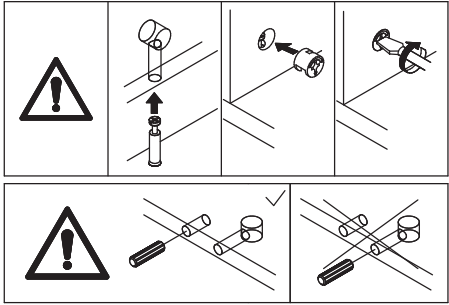
Screw eccentric rod (A) onto part 1 and 10 as shown.



17



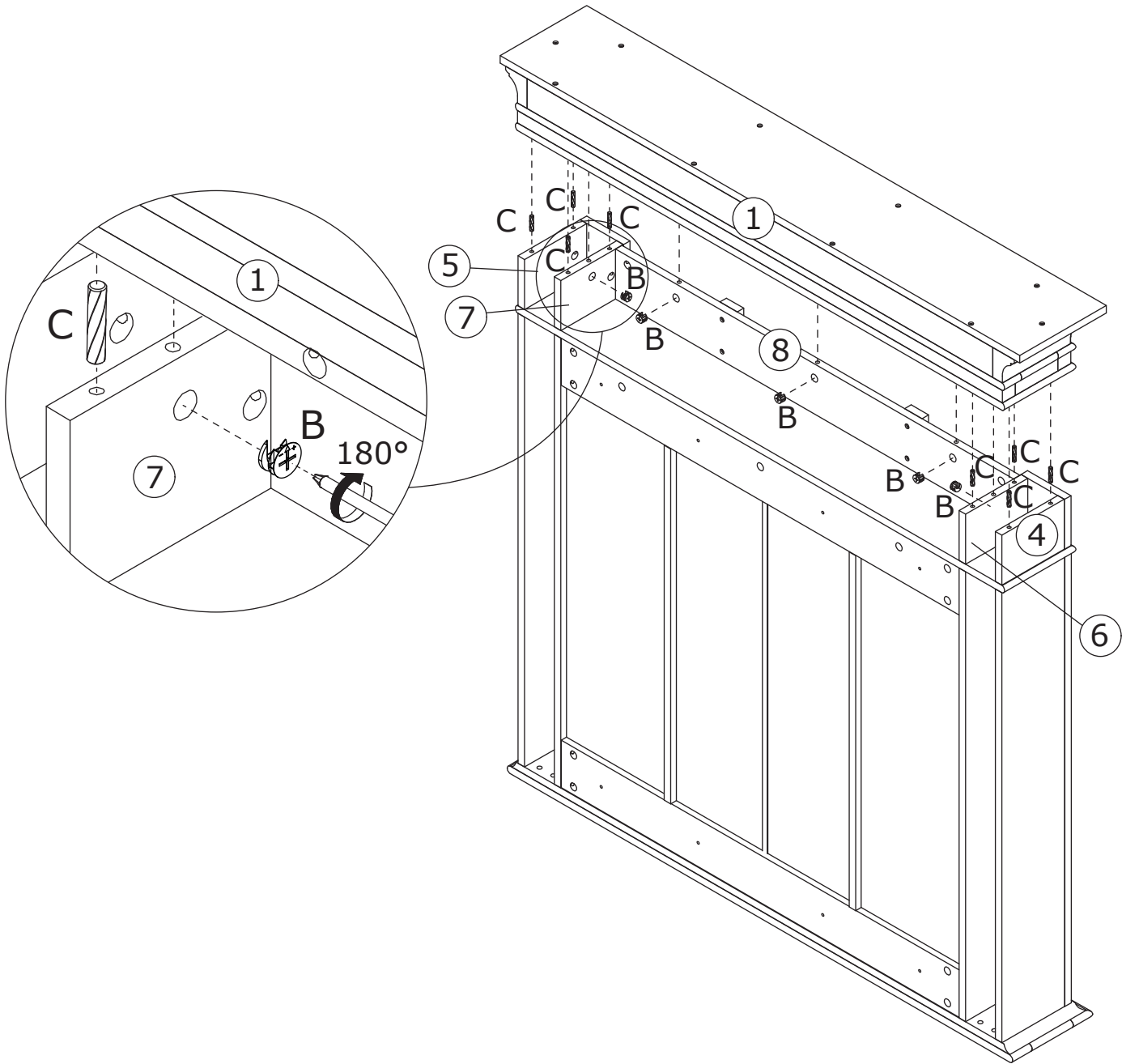
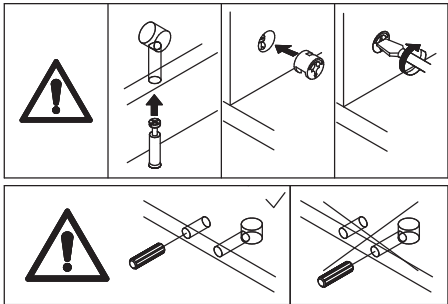
Connect part 10 to the component using wooden dowel (C), then tighten by turning cam lock (B) clockwise as shown.



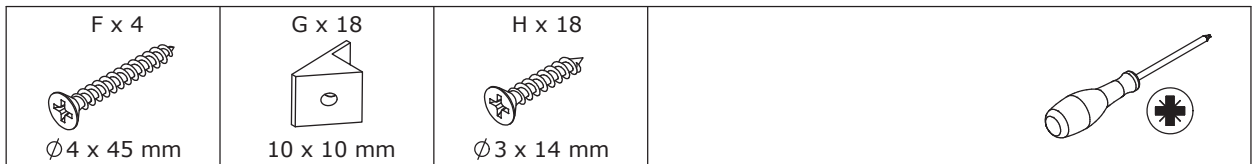
18



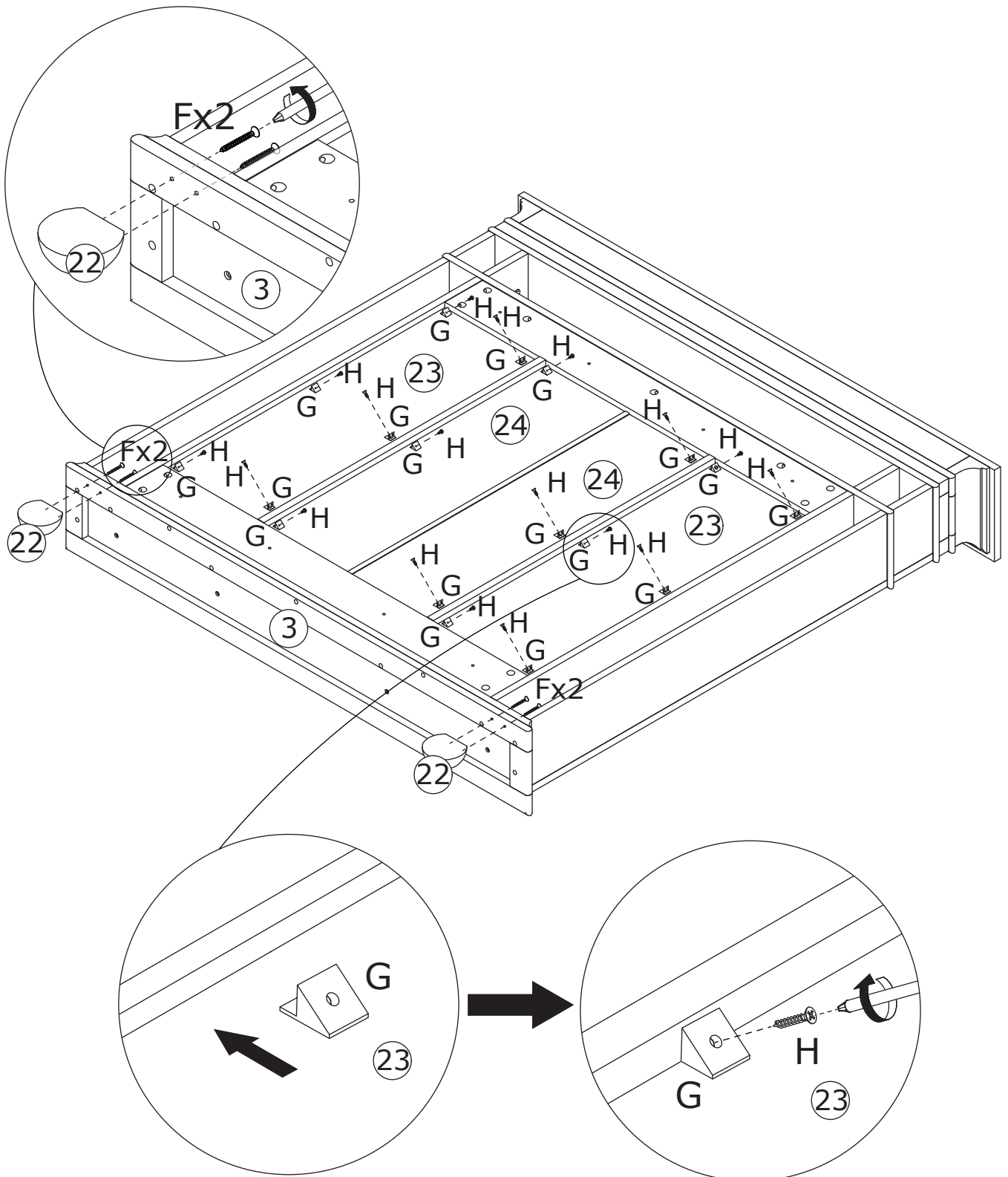
Connect part 1 to component using wooden dowel (C), then tighten by turning cam lock (B) clockwise as shown.



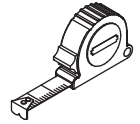
19



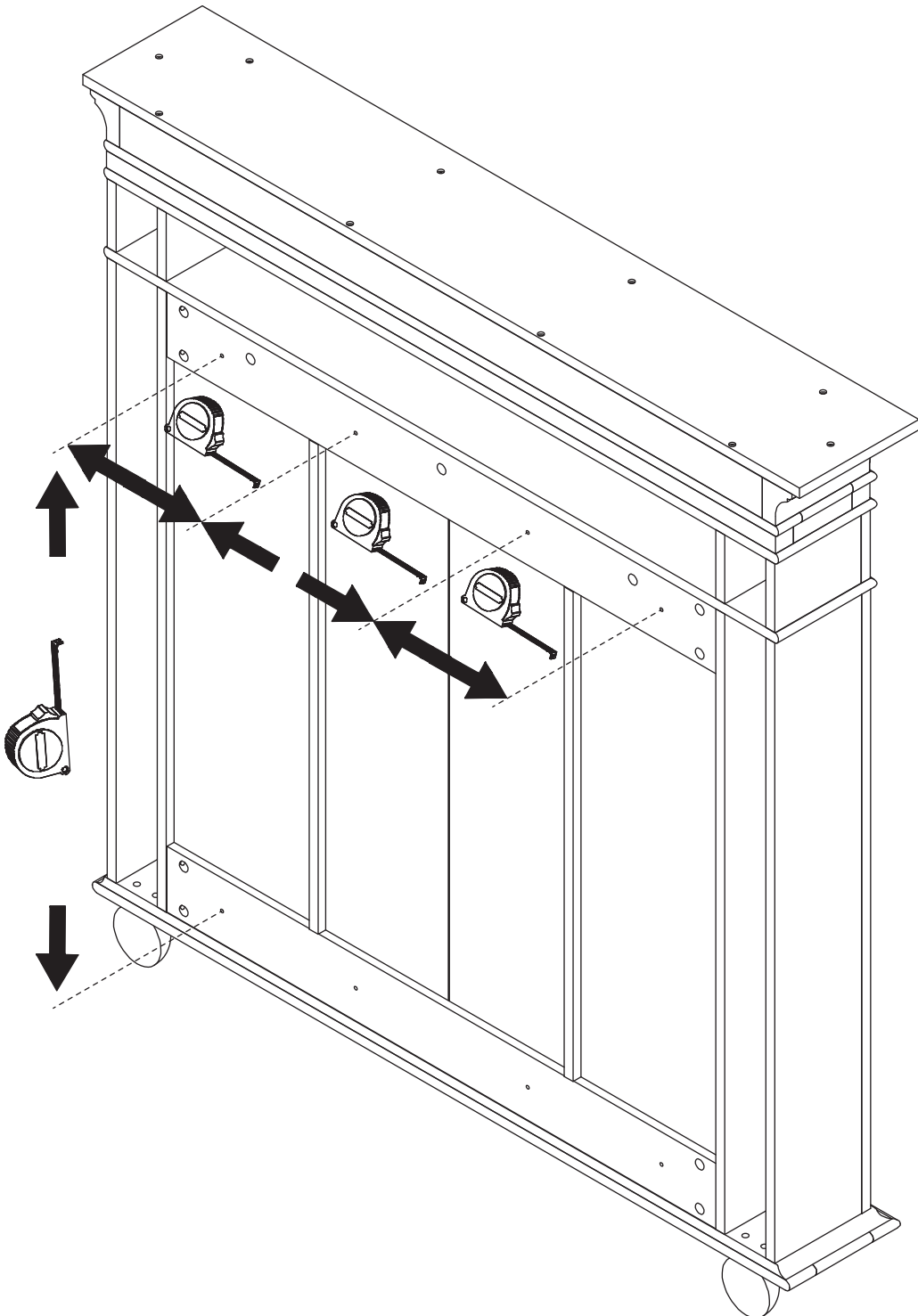
Insert clip (G) into back slots and secure using screw (H) as shown.
Secure part 22 to part 3 with using (E) as shown.



20



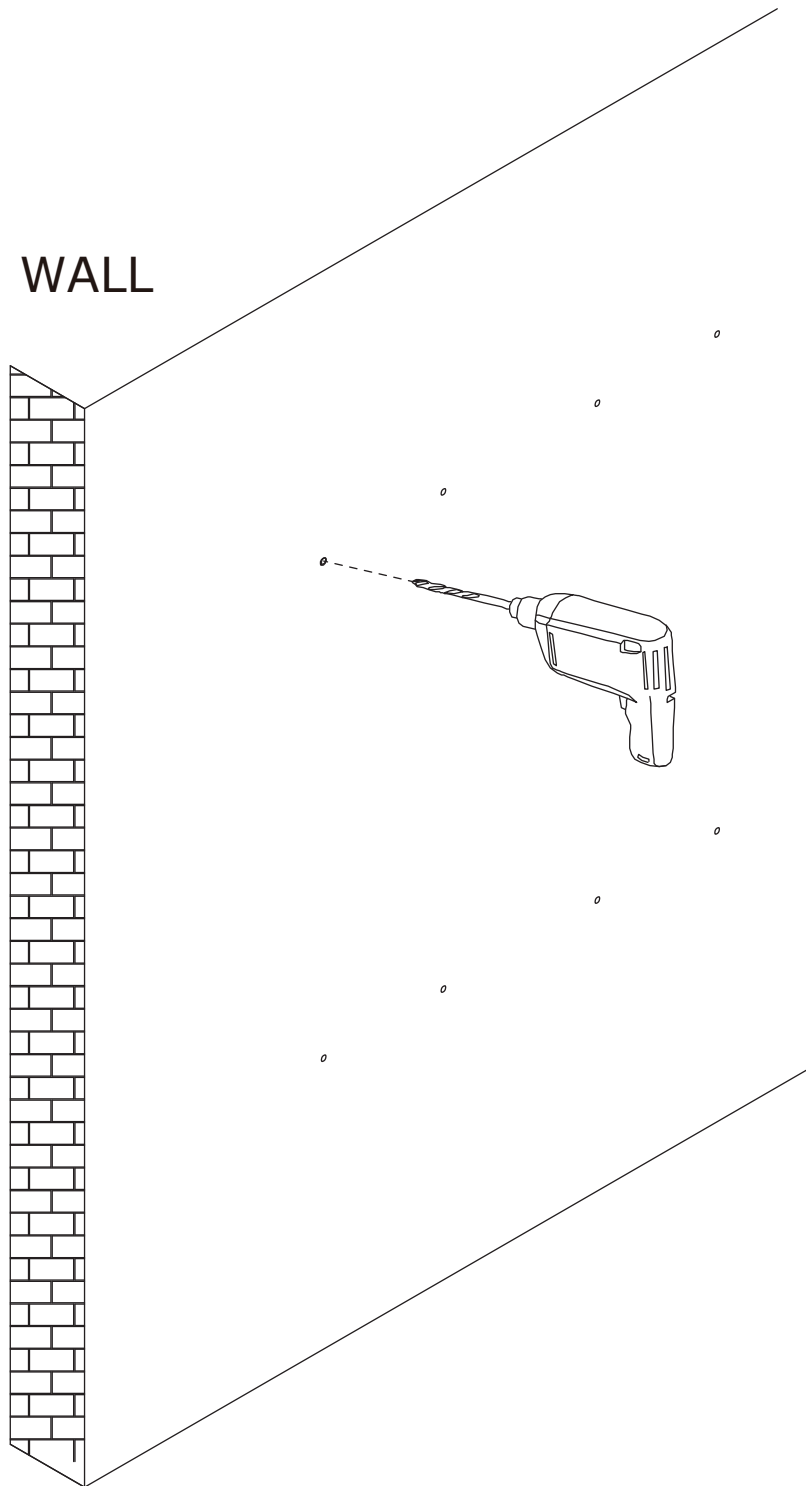
Please measure the distance between these holes and the distance from the hole center to the bottom.



21

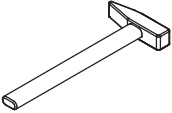


Drill holes on wall.

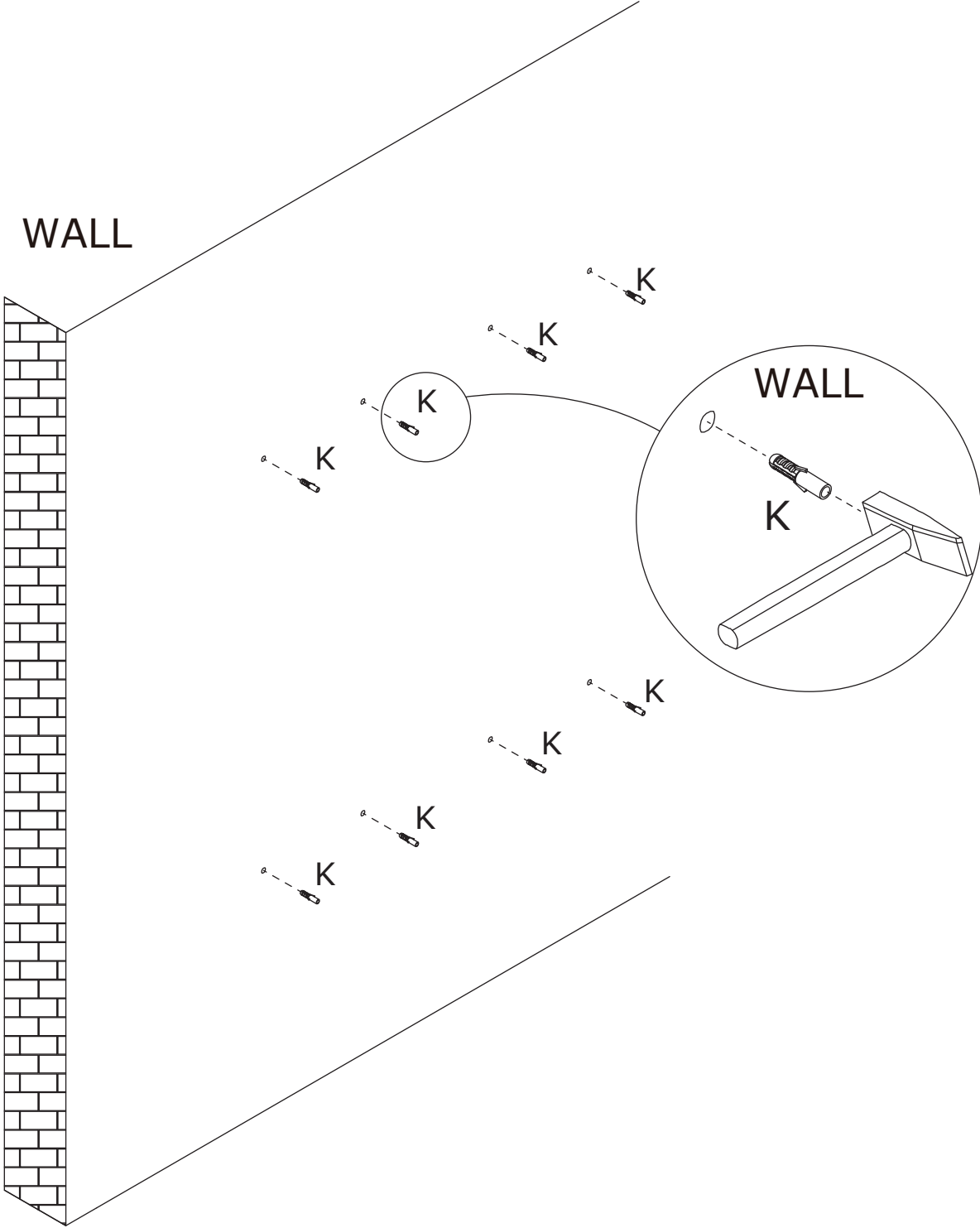


22

K x 8
Ø7.5 x 40 mm

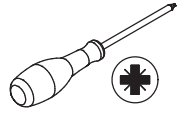


Knock part (K) into holes.

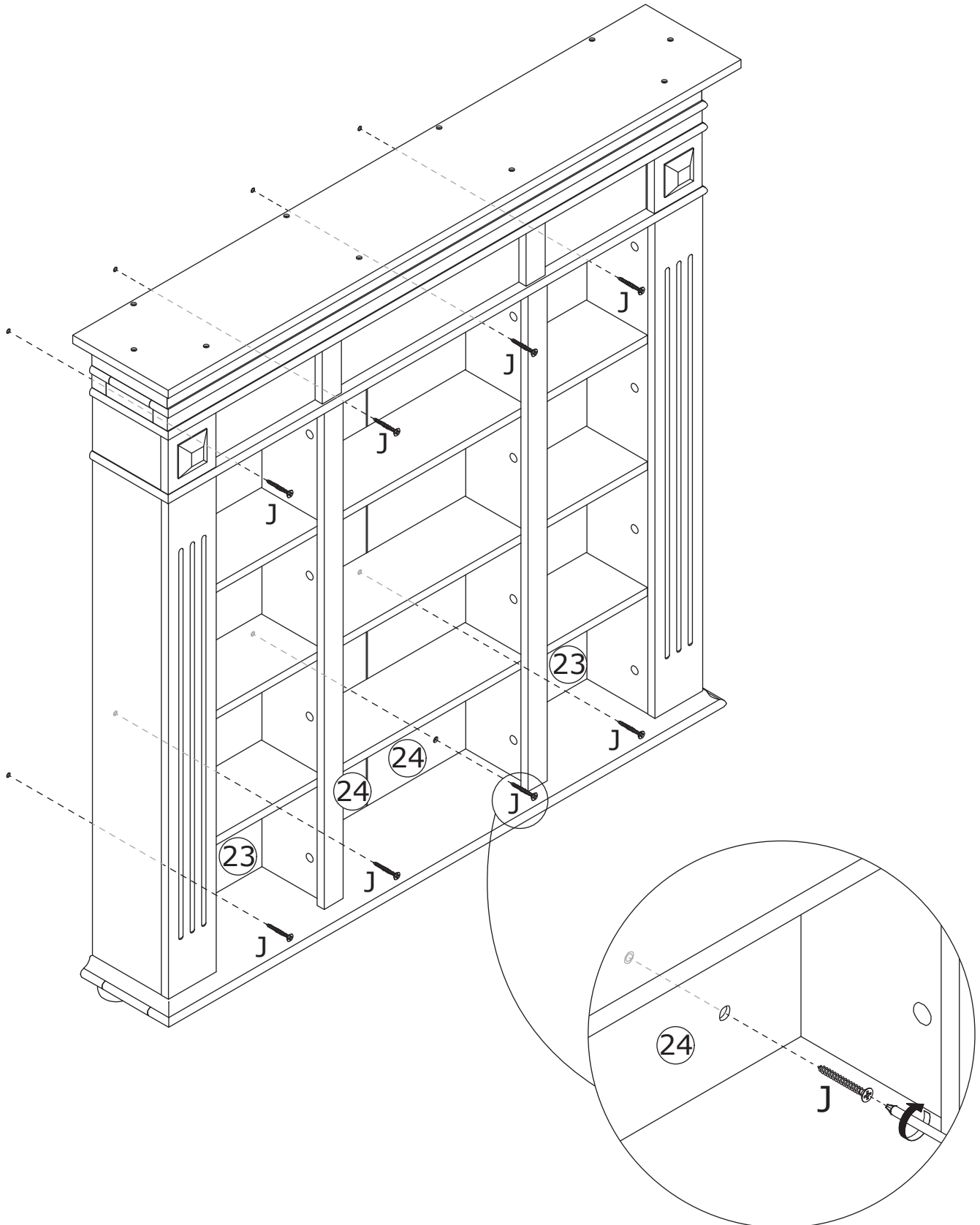


23

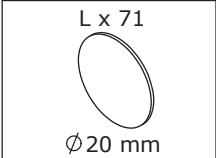
J x 8
Ø 5 x 50 mm



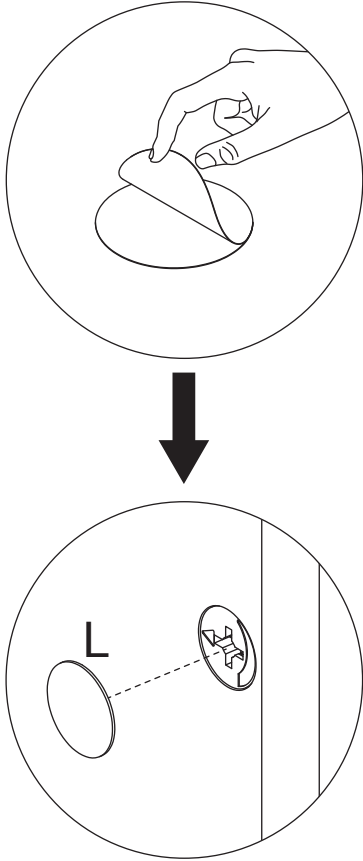
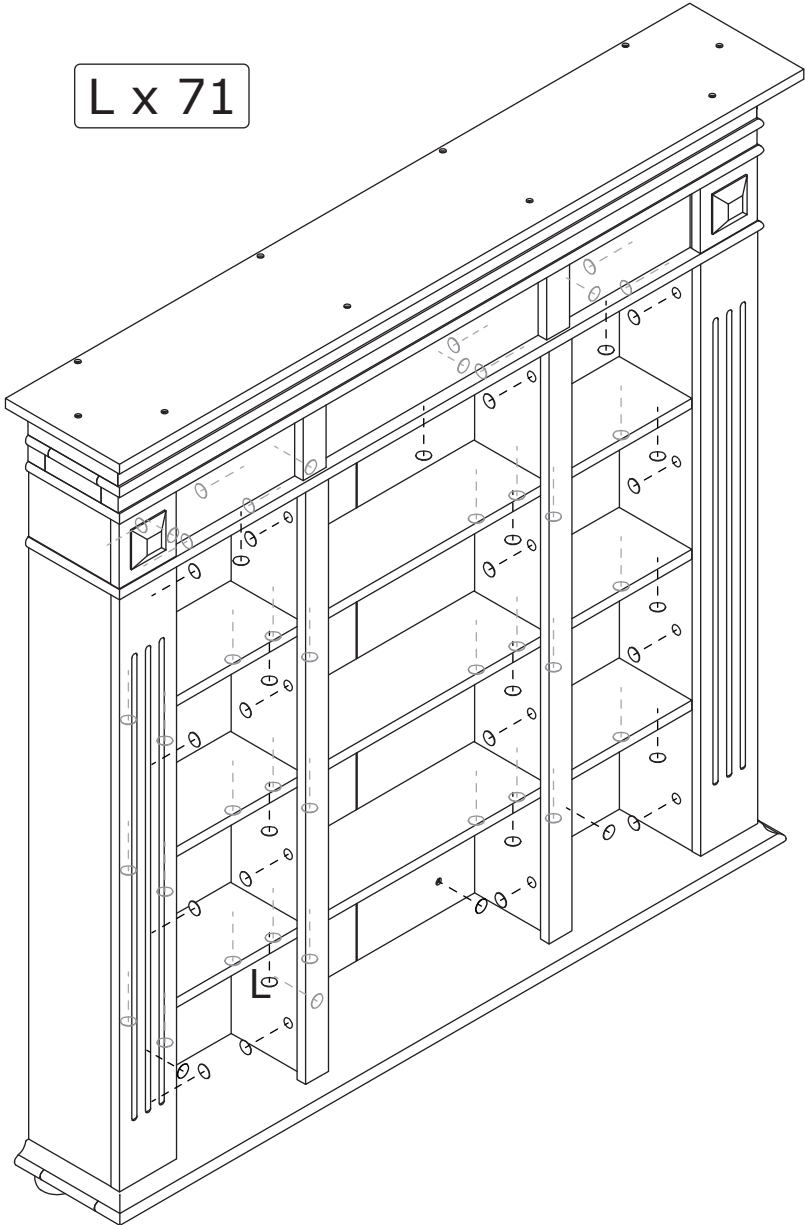
Mount the cabinet to wall using screw (J) as shown.



24



Cover the visible cam lock holes using sticker (L).



WARRANTY

WARRANTY CLAIMS

- There is a 30-day warranty for broken furniture or any other problems that do not work properly. The warranty will start from the date of purchase which must be verified by proof of purchase.
- Before making a claim, we may be able to answer your query, simply call us. Please leave your purchase order number, along with some details of the problem, if you want a replacement part. We will arrange within 48 hours. If there is out of stock, we will reply with a shipping date.
- The product must be used in accordance with the instructions provided. For health reasons.
- For other reasons, if the furniture needs to be returned, it must be cleaned and dried and operated within 30 days of receipt.

Type of Warranty Claim

- Failure to follow the furniture instructions will invalidate the warranty. Attention please.
- Does not include damage during installation, but includes damage during transportation.

Scope of responsibility

- Shall not bear any responsibility for misuse or user damage and / or loss of parts during the installation of furniture.
- After using, the damage and scratches of the furniture are not covered by the warranty.

The Warranty Relates to All Bought in The Us and Covers The Following Areas

- Sheet parts: 1 month from the date of purchase.
- Electrical parts: 1 month from the date of purchase.

RETURNS

CHANGED YOUR MIND AND NEED TO RETURN YOU ITEM?

PLEASE FOLLOW THE BELOW INSTRUCTIONS:

- If you have purchased and have simply changed your mind, follow the retailer's instructions for returns.

DEFECTIVE ITEMS

- If your item is defective in any way, i.e. it doesn't work but you can't identify why, in the first instance, please call us.

DAMAGED ITEMS

- If you receive an order with obvious shipping damage from the retailer, then we suggest the delivery is refused. If the delivery has been accepted and then shipping damage is found, please follow the specific instructions advised by the retailer.
In all circumstances please save all packaging material and paperwork for the order. Please be aware that if you dispose of packaging material or attempt to return the merchandise without contacting the fulfiller, you jeopardise your chances of making a claim, and you may not receive a credit for the return.