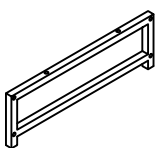
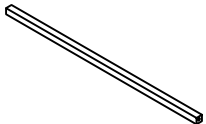
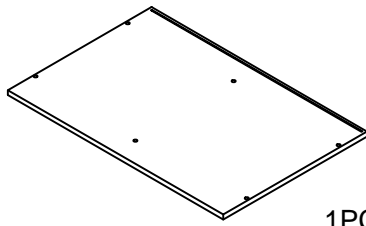
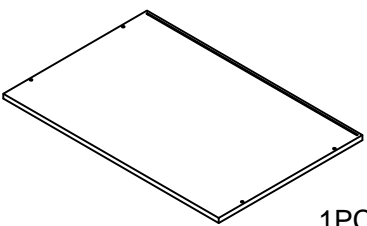
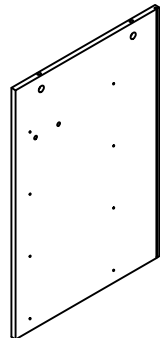

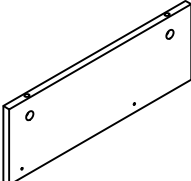
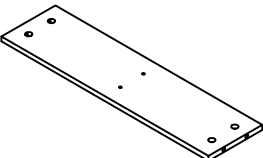
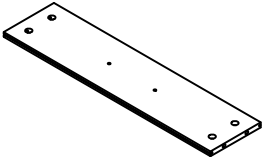
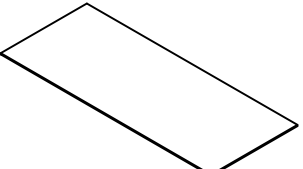
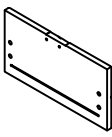
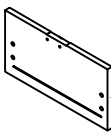
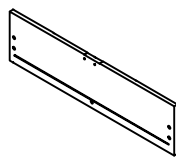
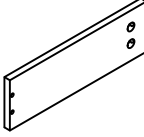
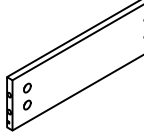
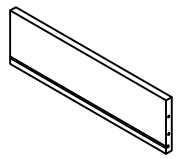
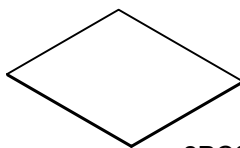
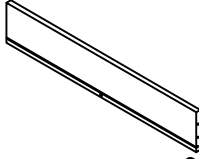
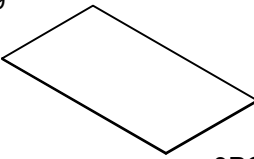
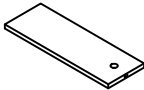
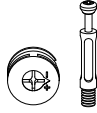


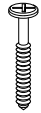



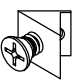
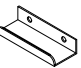




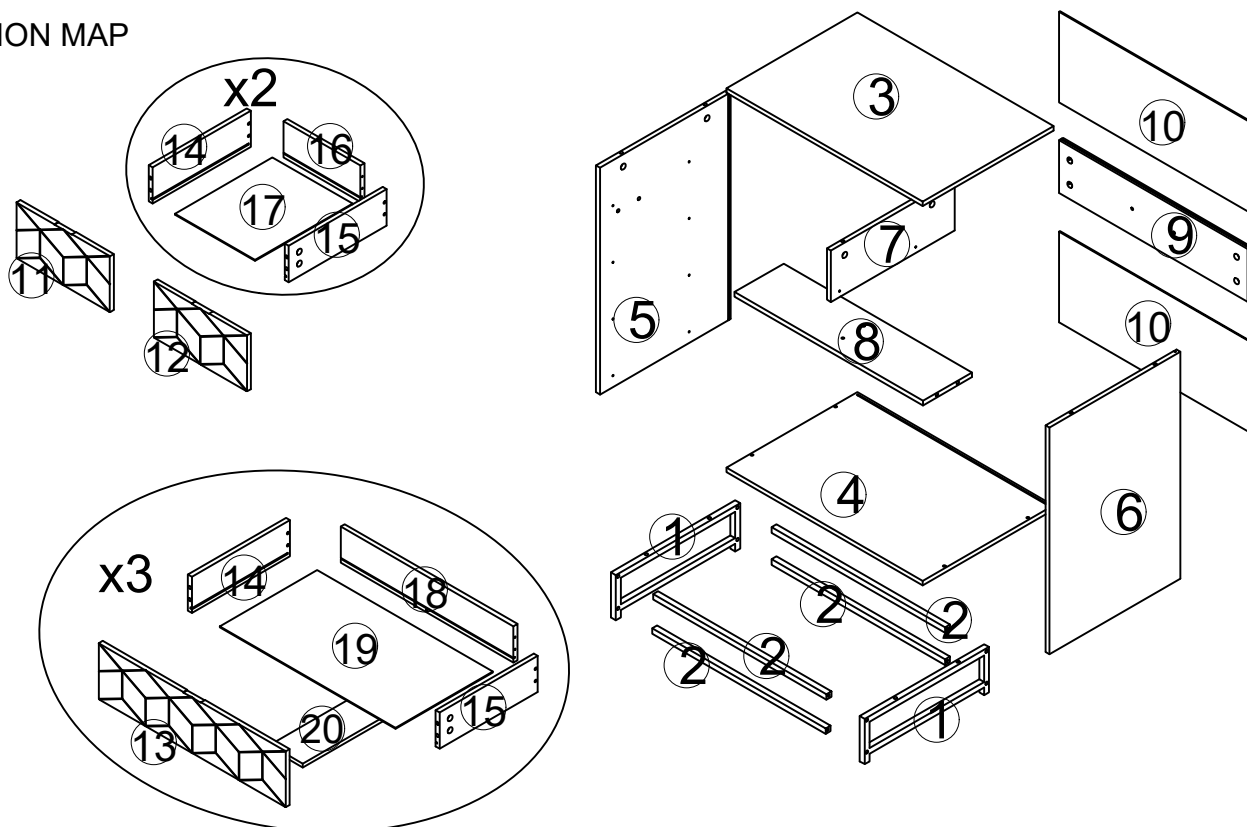
READ AND SAVE THIS INSTRUCTION FOR FUTURE USE

ASSEMBLY INSTRUCTION

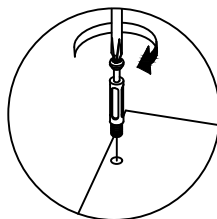
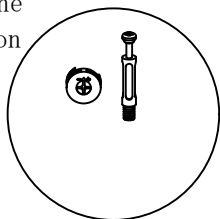
| | | | | | | | | |
|--|--|---|---|--|--|--|--|--|
| <p>1</p>  <p>2PCS</p> | <p>2</p>  <p>4PCS</p> | <p>3</p>  <p>1PCS</p> | <p>4</p>  <p>1PCS</p> | | | | | |
| <p>5</p>  <p>1PCS</p> | <p>6</p>  <p>1PCS</p> | <p>7</p>  <p>1PCS</p> | <p>8</p>  <p>1PCS</p> | | | | | |
| | | <p>9</p>  <p>1PCS</p> | <p>10</p>  <p>2PCS</p> | | | | | |
| <p>11</p>  <p>1PCS</p> | <p>12</p>  <p>1PCS</p> | <p>13</p>  <p>3PCS</p> | <p>14</p>  <p>5PCS</p> | <p>15</p>  <p>5PCS</p> | <p>16</p>  <p>2PCS</p> | | | |
| <p>17</p>  <p>2PCS</p> | <p>18</p>  <p>3PCS</p> | <p>19</p>  <p>3PCS</p> | <p>20</p>  <p>3PCS</p> | | | | | |
| <p>A</p>  <p>34PCS</p> | <p>B</p>  <p>M5X50 6PCS</p> | <p>C</p>  <p>M4X14 50PCS</p> | <p>D</p>  <p>M4X40 25PCS</p> | <p>E</p>  <p>M6X35 8PCS</p> | <p>F</p>  <p>M6X30 4PCS</p> | <p>G</p>  <p>3PCS</p> | <p>J</p>  <p>4PCS</p> | <p>M</p>  <p>5PCS</p> |
| <p>K</p>  <p>5PCS</p> | |  | | | | | | |

EXPLOSION MAP AND INSTALLATION INSTRUCTION FOR COMPLEX HARDWARE

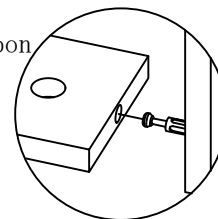
EXPLOSION MAP



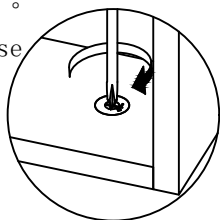
Three-in-one
installation
method



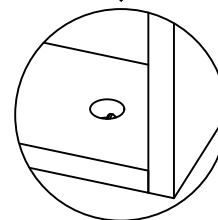
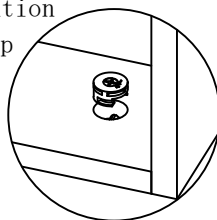
Insert
correspon
ding
plate



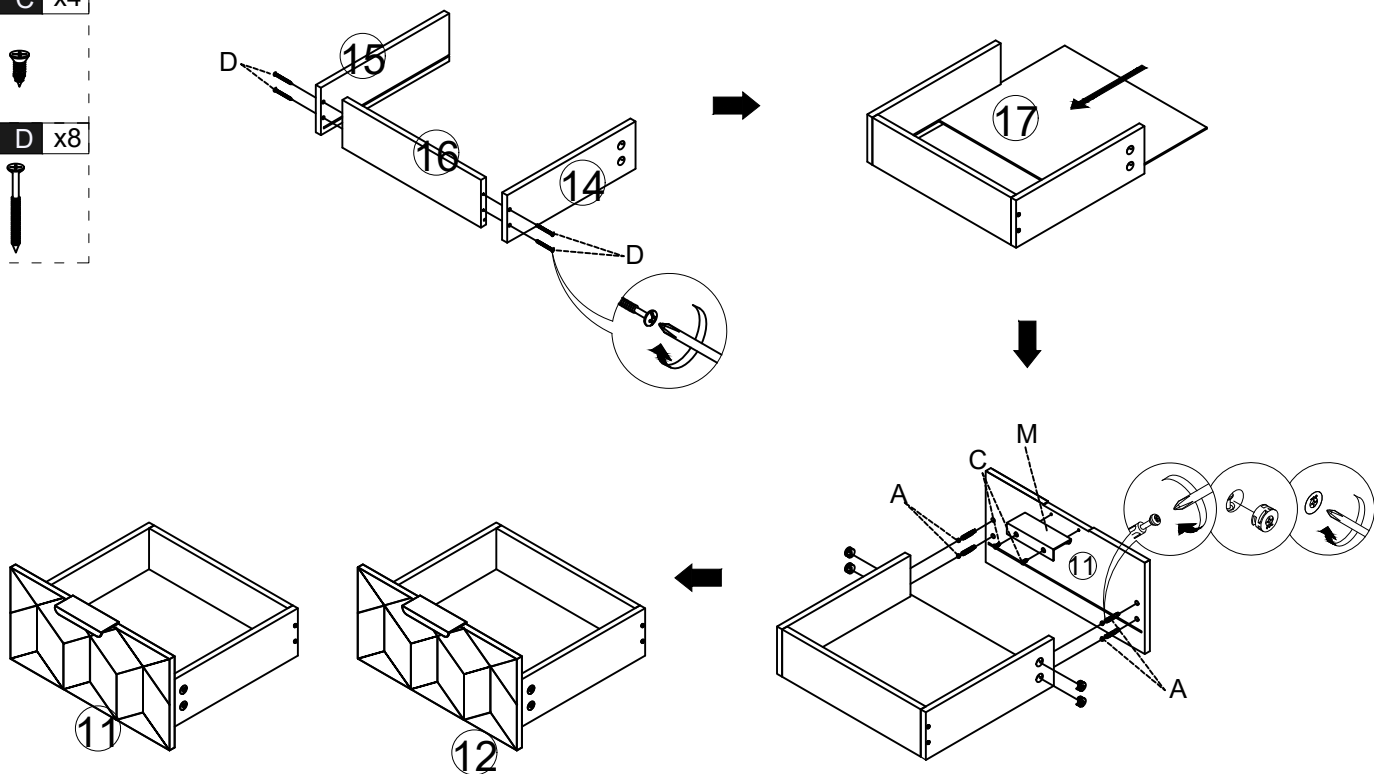
Rotate 180 °
by clockwise
direction



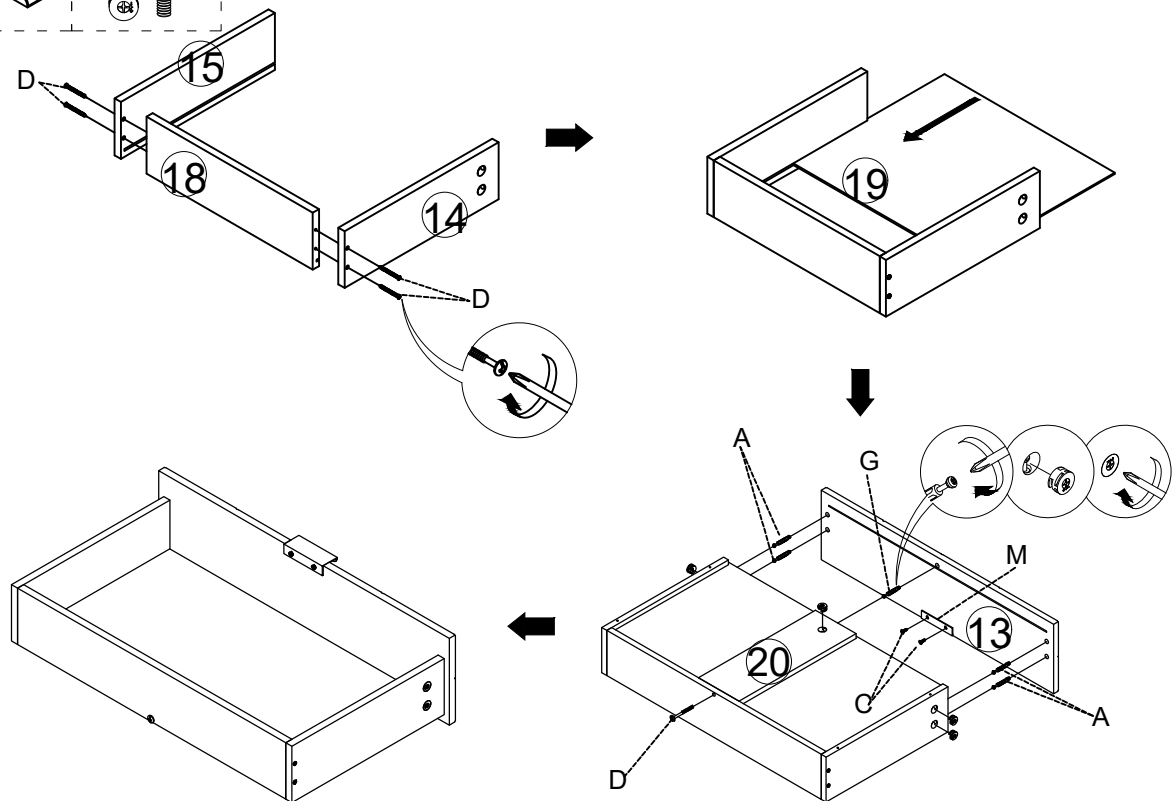
Pay attention
to the gap
direction



- A x8
- M x2
- C x4
- D x8



- A x12
- M x3
- G x3
- C x6
- D x15



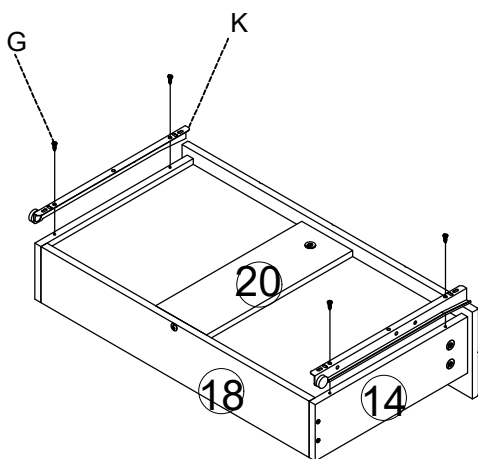
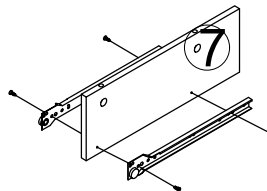
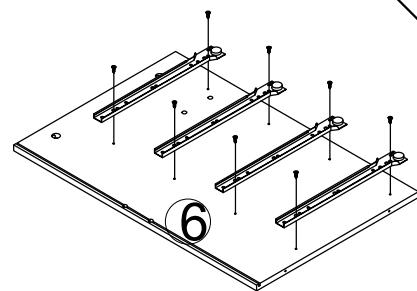
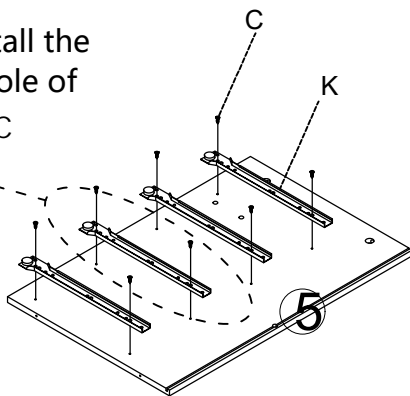
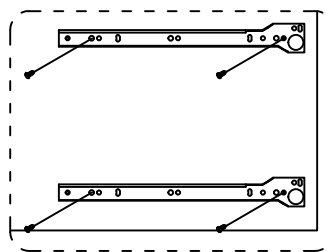
K x5



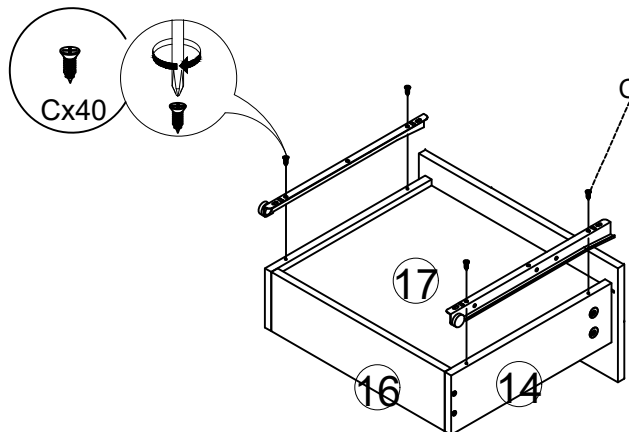
C x40



As shown in the figure, install the slide rail into positioning hole of part 5 ,6and 7 with screws C

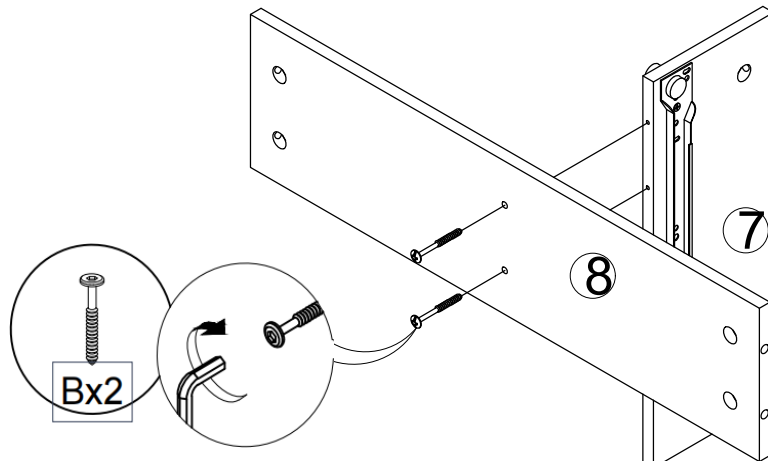


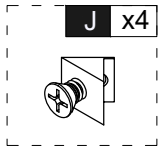
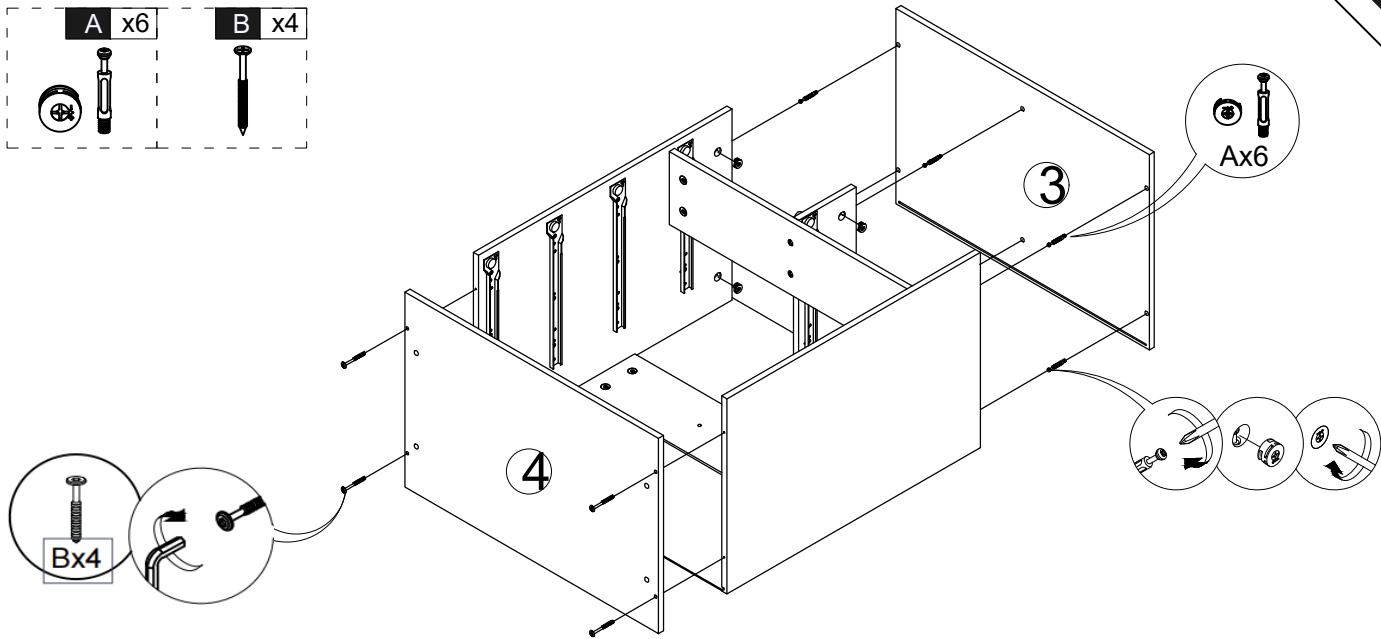
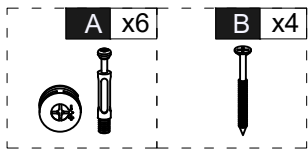
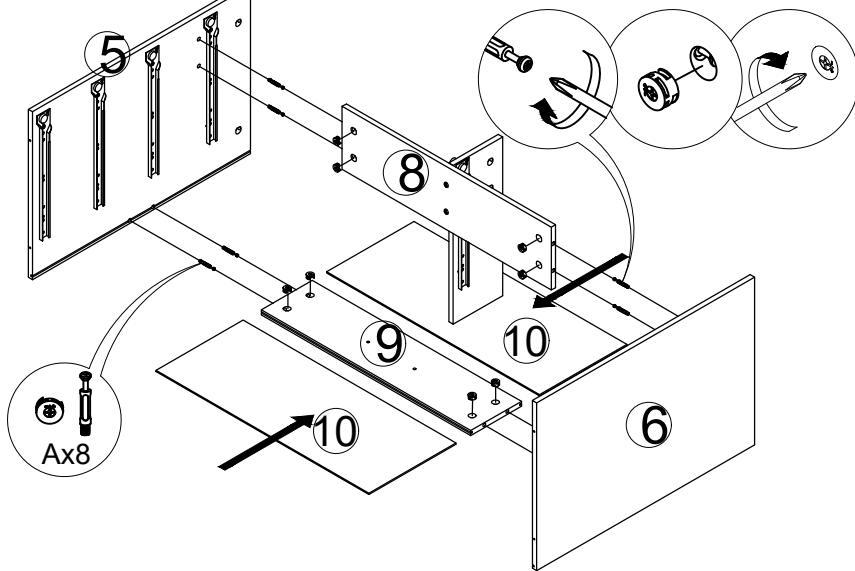
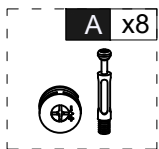
x3



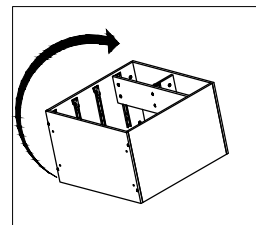
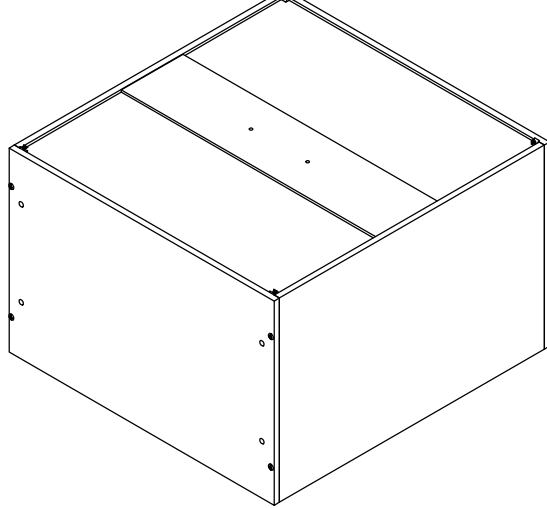
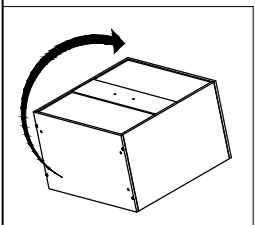
x2

B x2



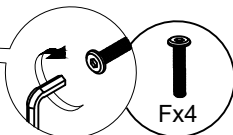
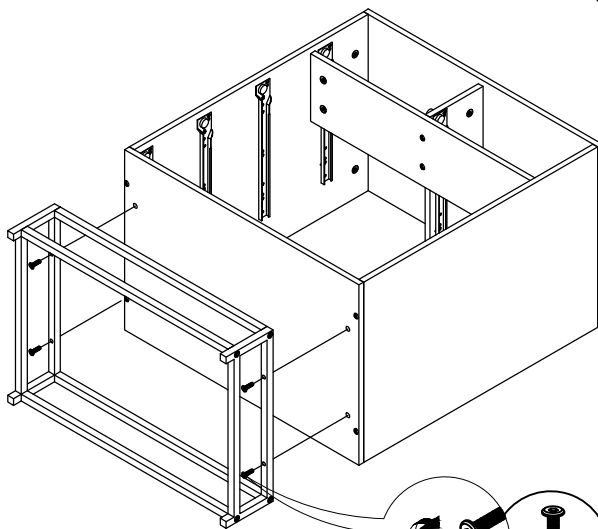
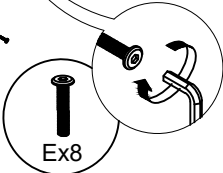
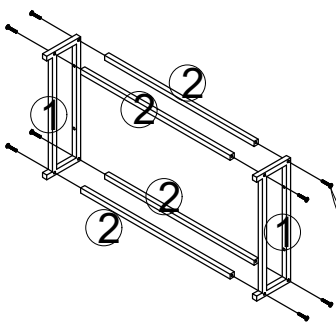


As shown in the figure, the four corners of the back plate need to be fixed with screws J

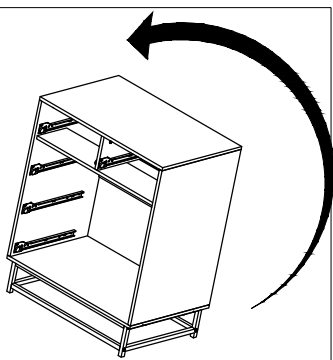
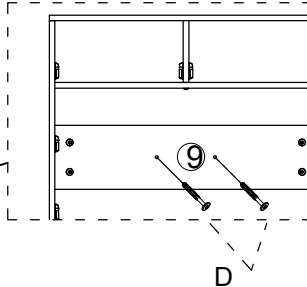
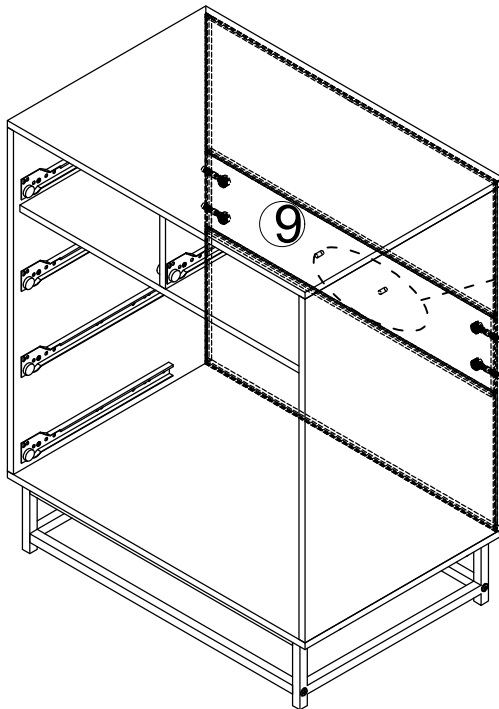


E x8

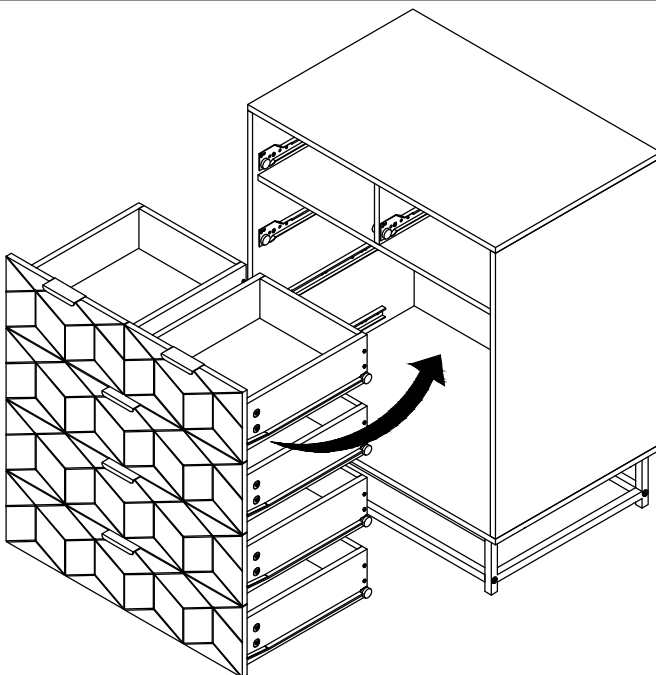
F x4



D x2



As shown in the figure, the screw D is passed through the holes of Part 9 to fix the cabinet on the wall.



End