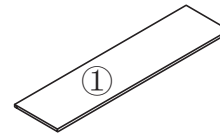
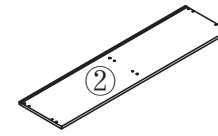


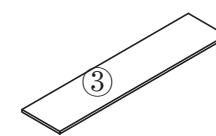
## Board Identification



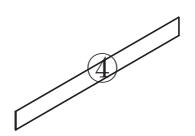
Board x1



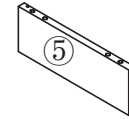
Bottom board x1



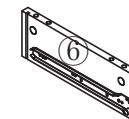
Large layer board x1



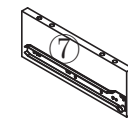
Back board x1



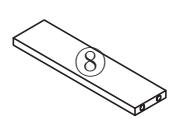
Left side board x1



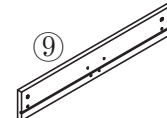
Right side board x1



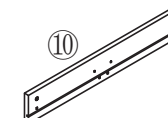
vertical board x1



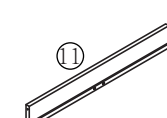
Reinforcement board x2



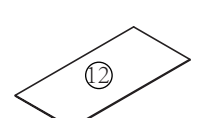
Left Drawer panel x1



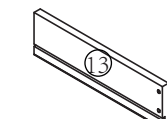
Right Drawer panel x1



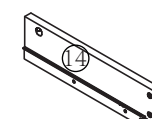
Back Drawer x2



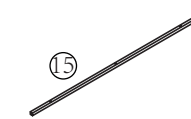
Bottom Drawer x2



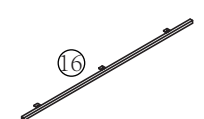
Drawer side panel left x2



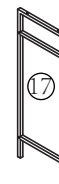
Drawer side panel right x2



Pipe x2



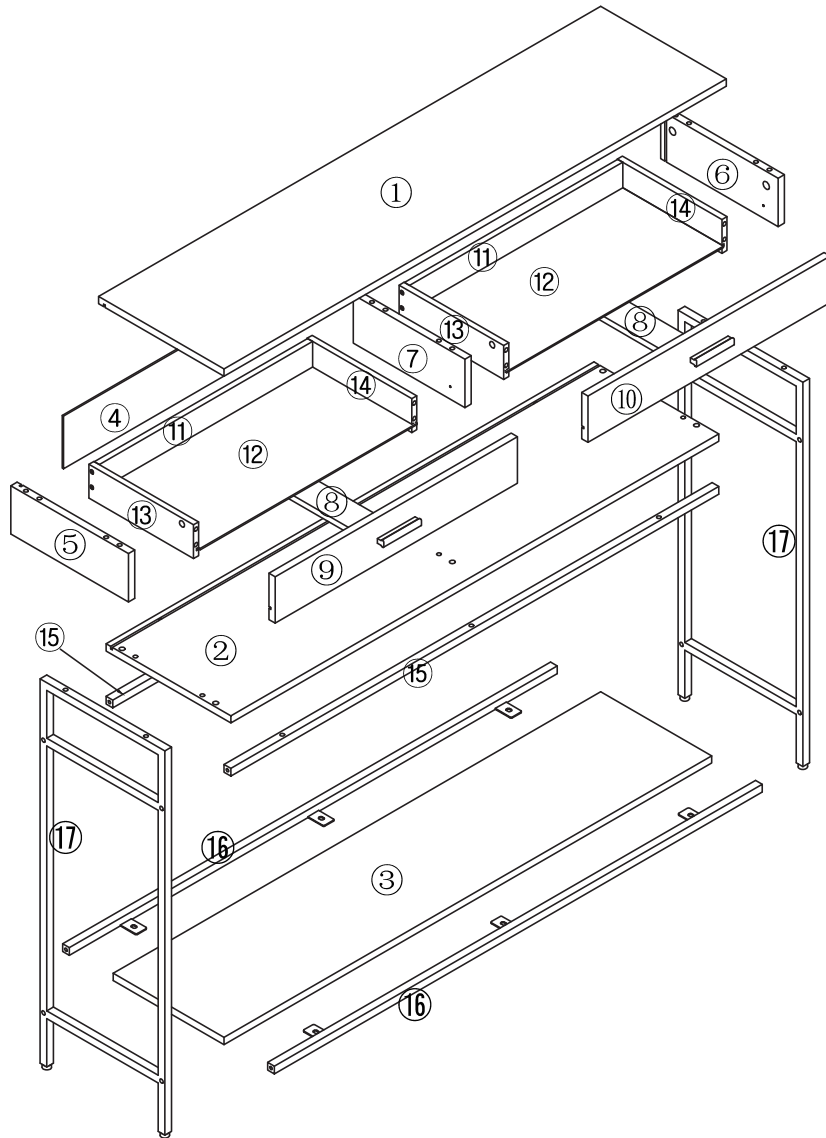
Pipe x2



Legex2

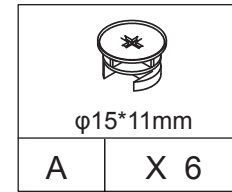
# Board Identification

Not actual size

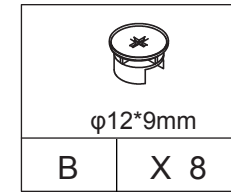


# Hardware List

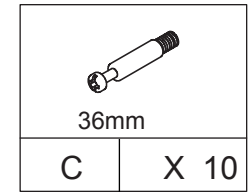
Actual size



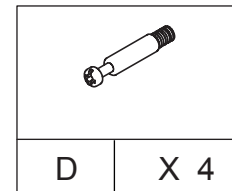
CAM LOCK



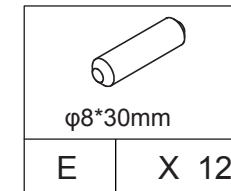
CAM LOCK



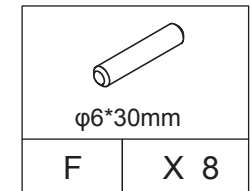
CAM BOLT



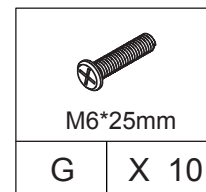
CAM BOLT



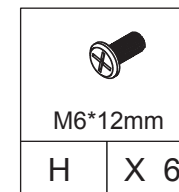
WOOD DOWEL



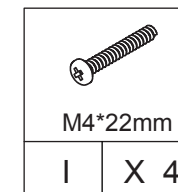
WOOD DOWEL



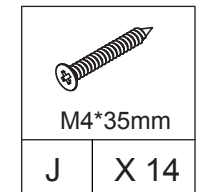
SCREW



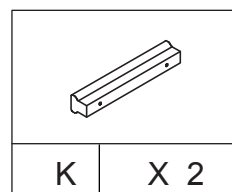
SCREW



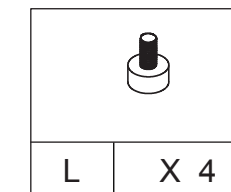
SCREW



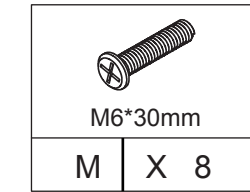
SCREW



HANDLE

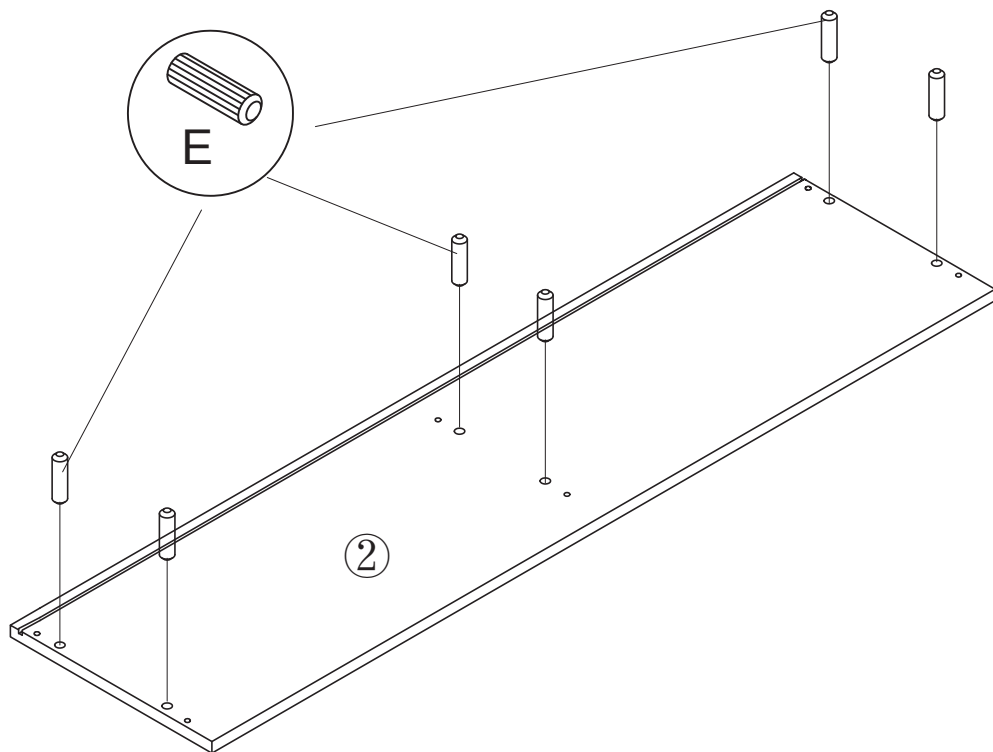
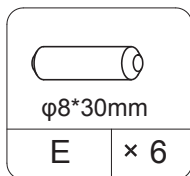


ADJUSTING FOOT

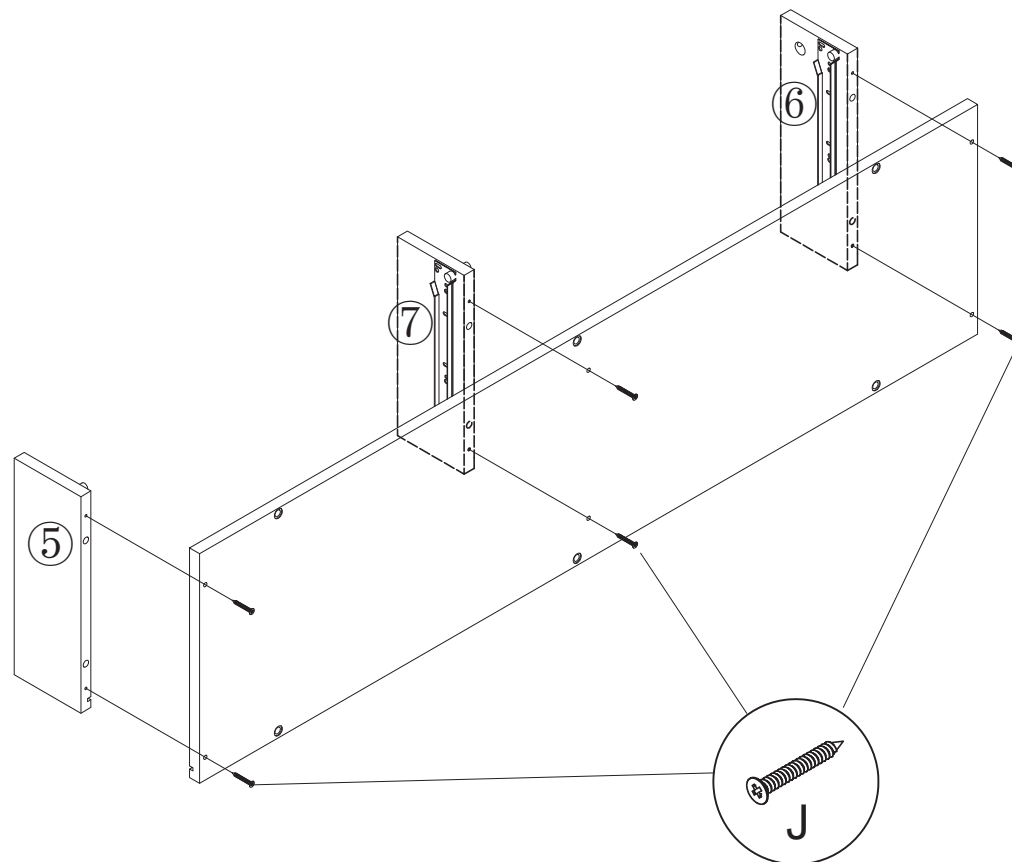
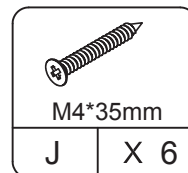


SCREW

STEP 1

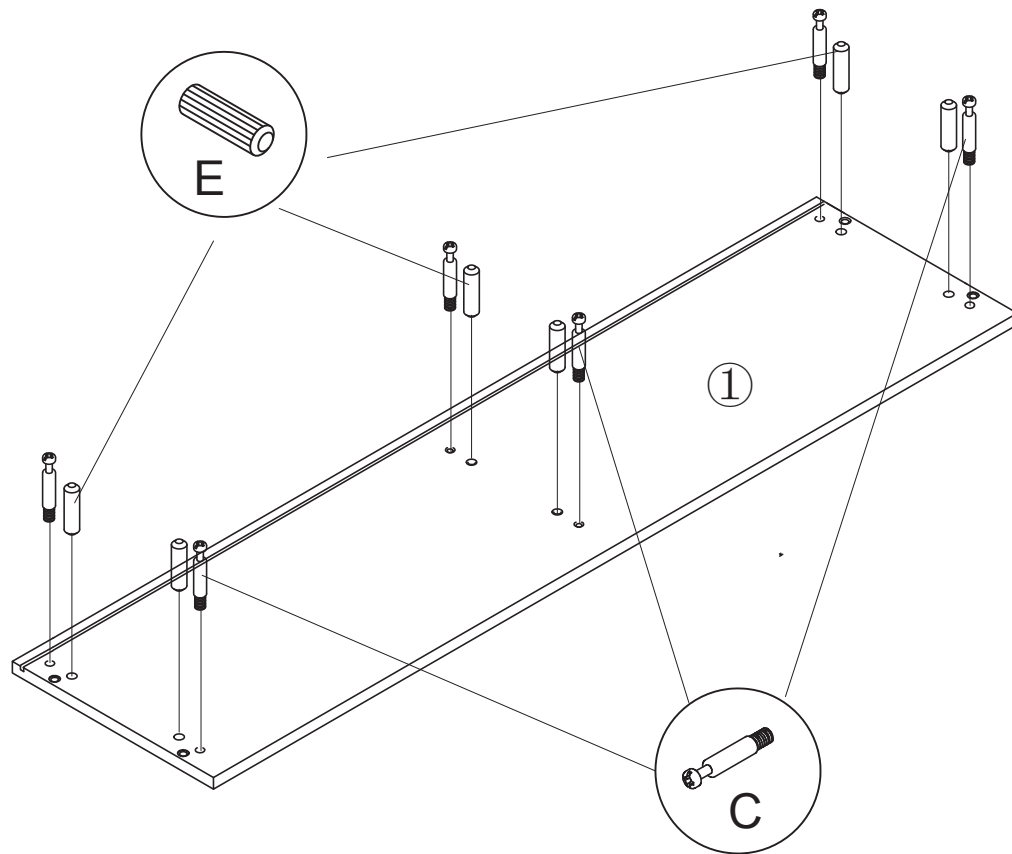
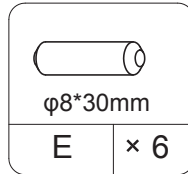
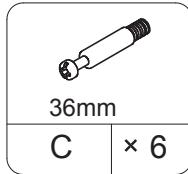
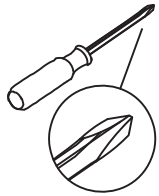


STEP 2



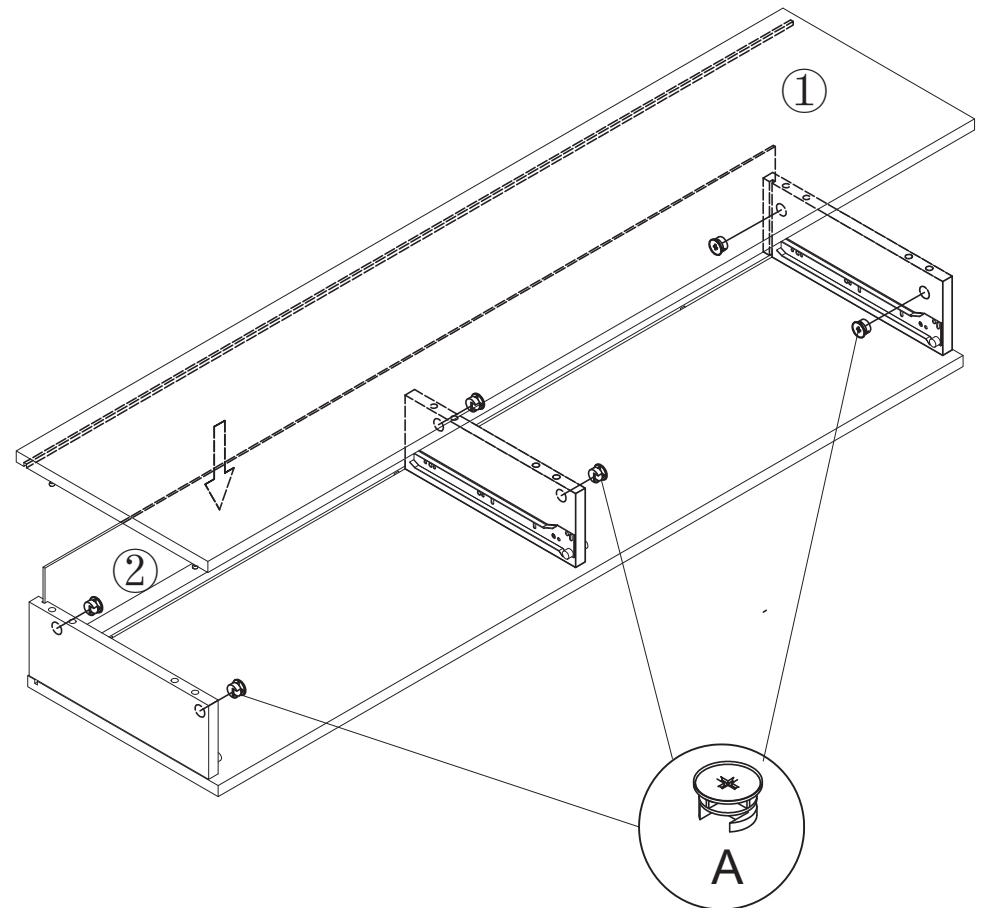
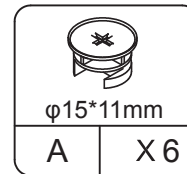
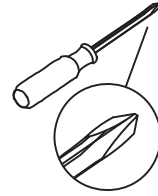
PRODUCT ASSEMBLY

STEP 3

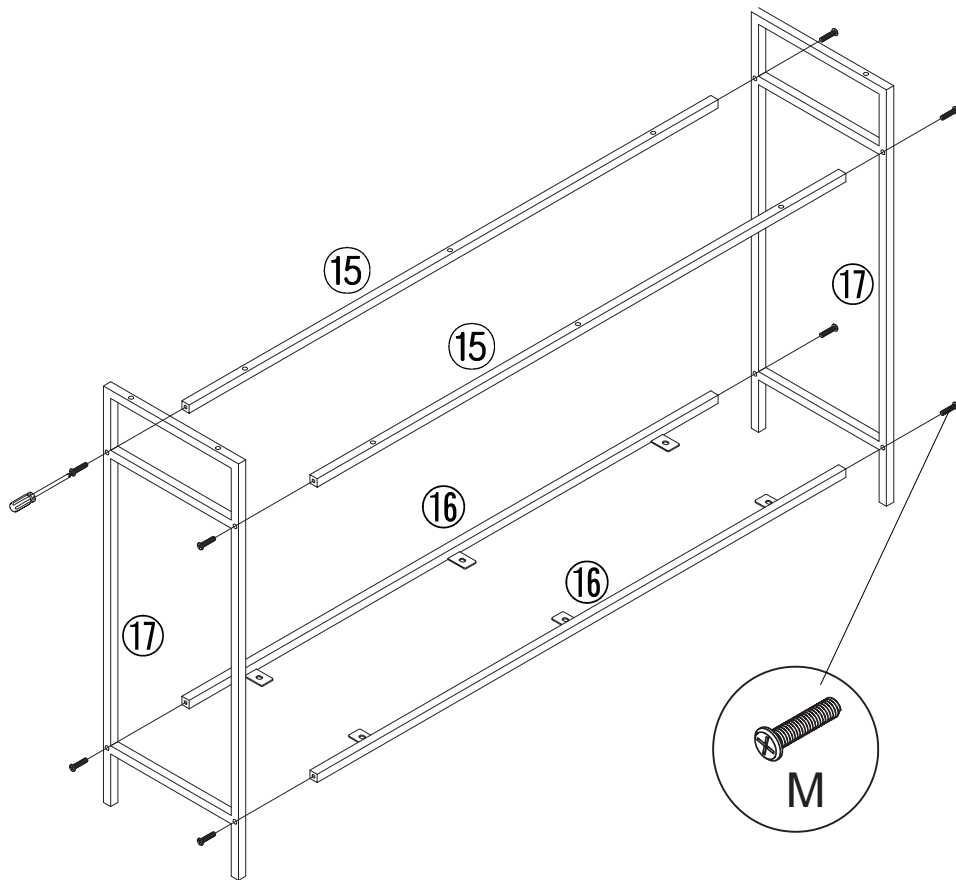
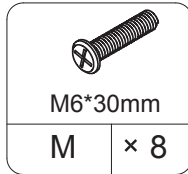
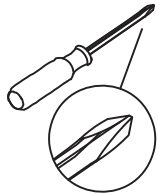


PRODUCT ASSEMBLY

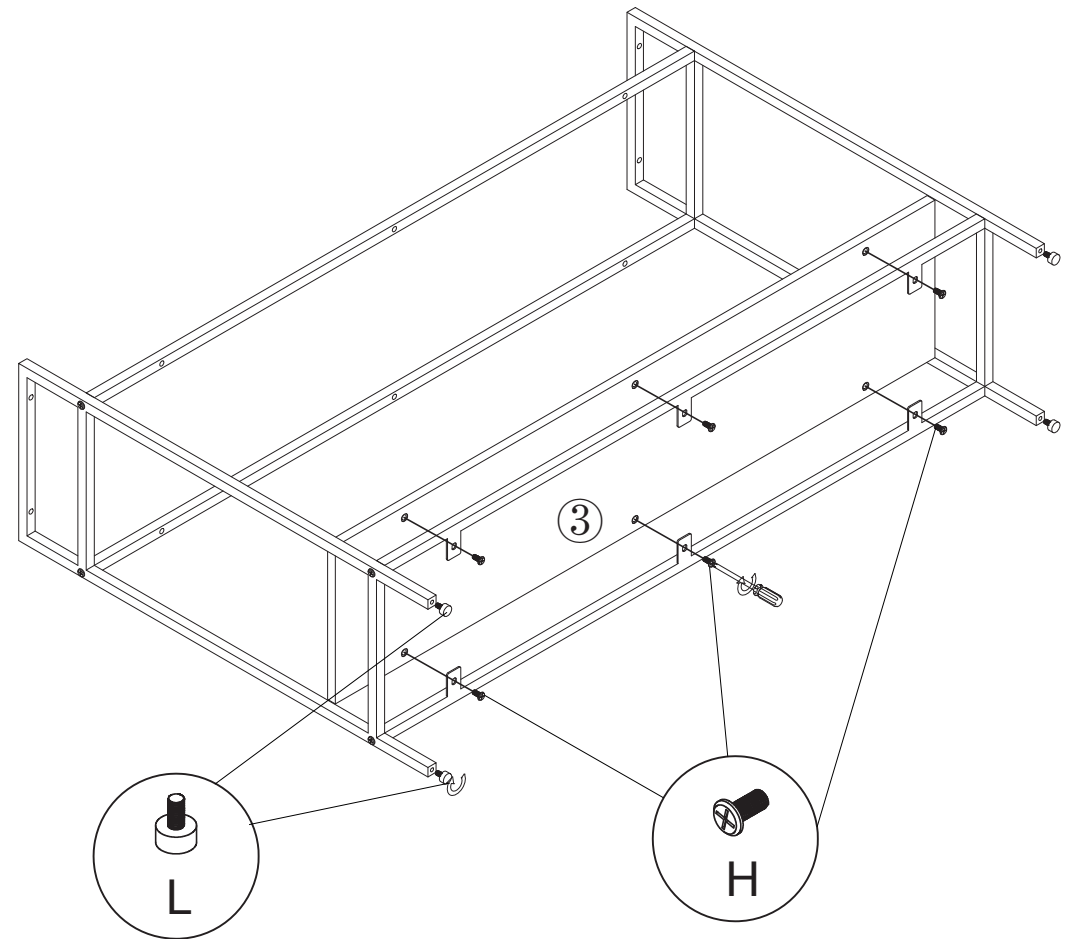
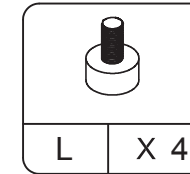
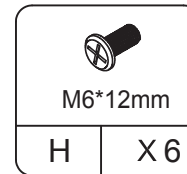
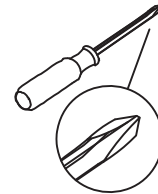
STEP 4



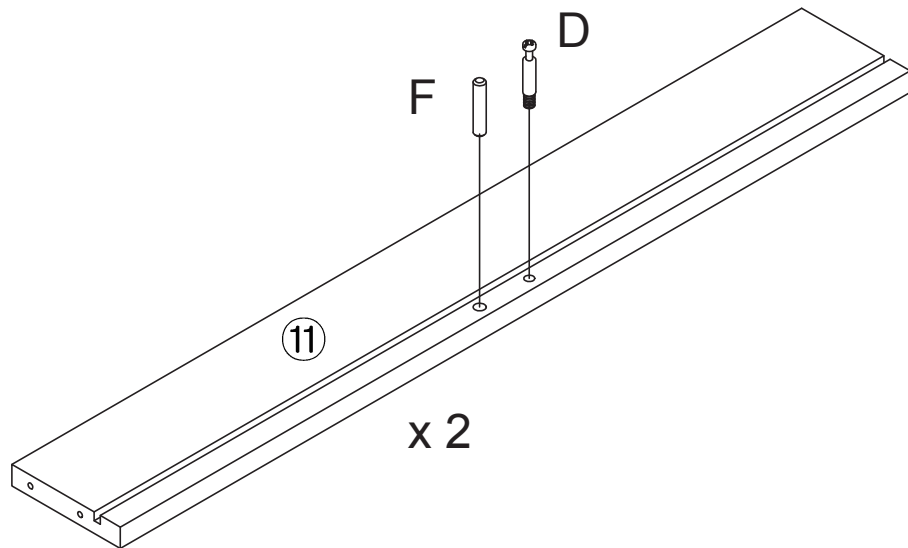
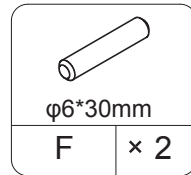
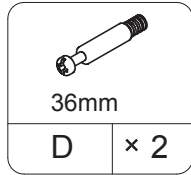
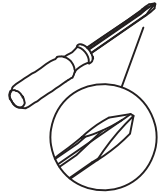
### STEP 5



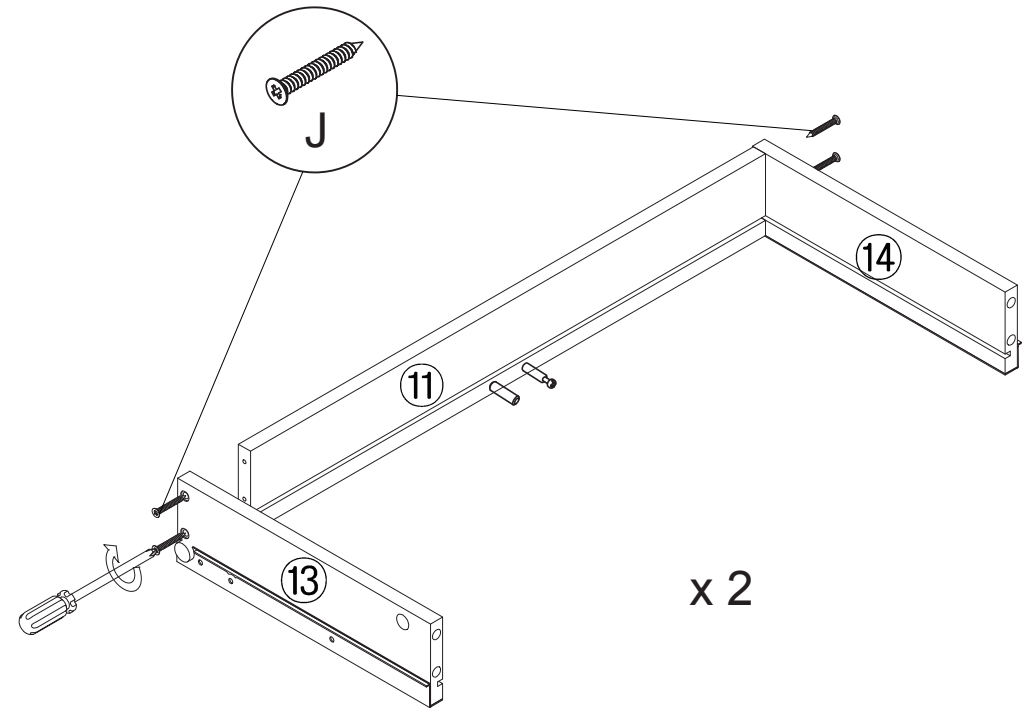
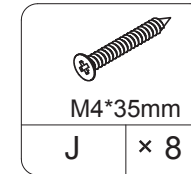
### STEP 6



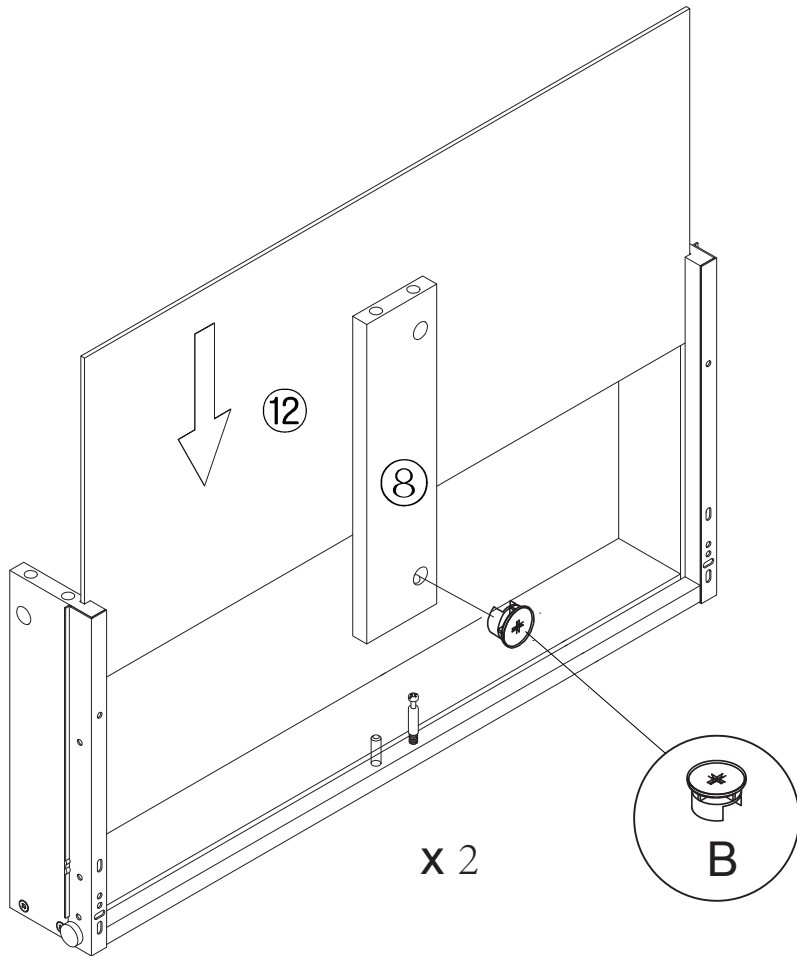
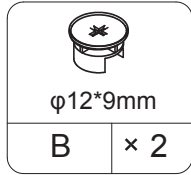
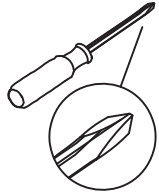
### STEP 7



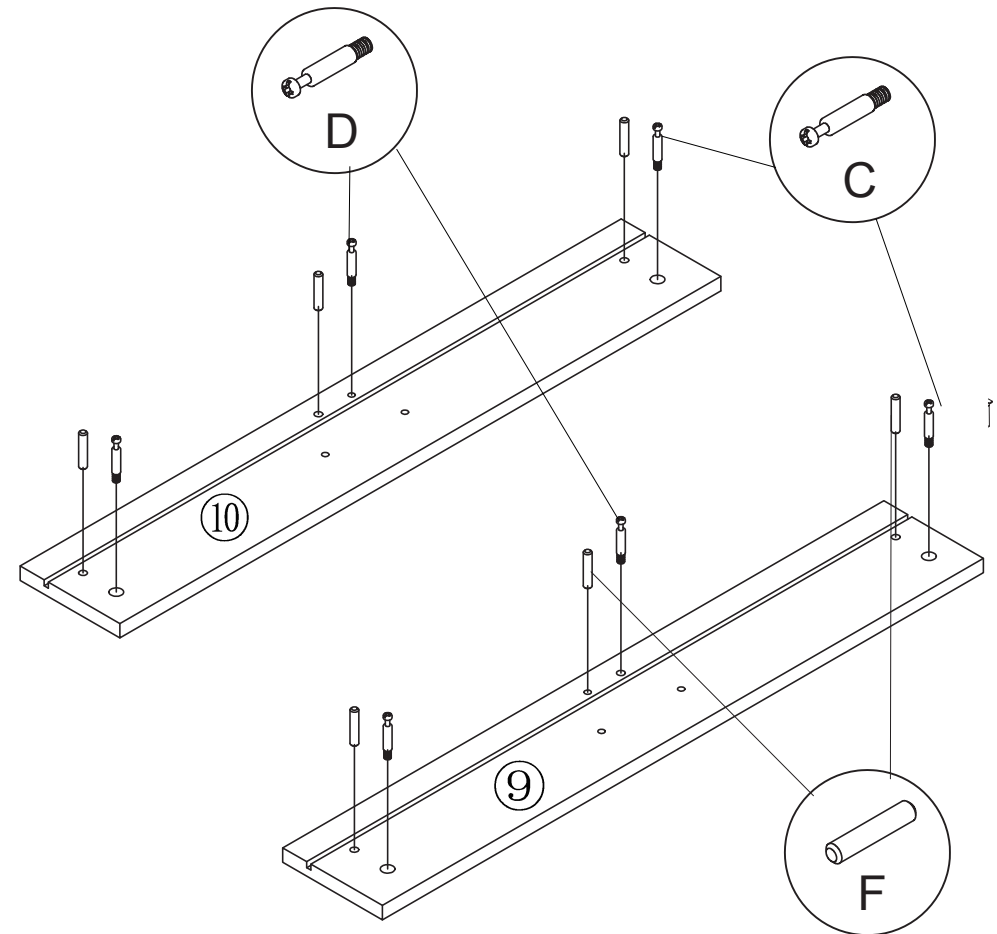
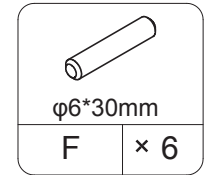
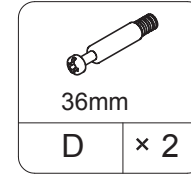
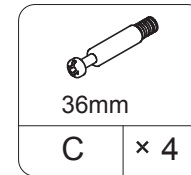
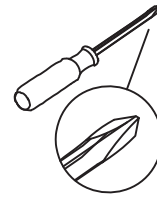
### STEP 8



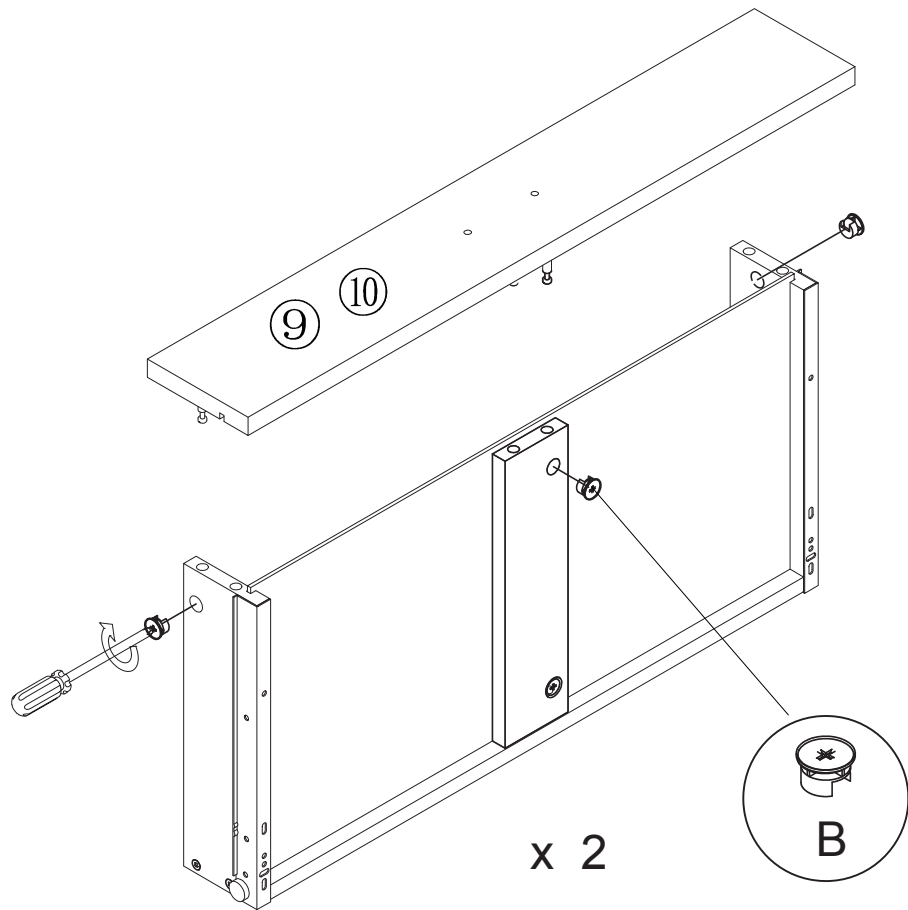
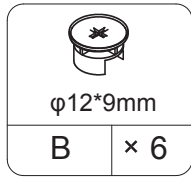
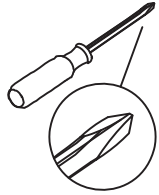
### STEP 9



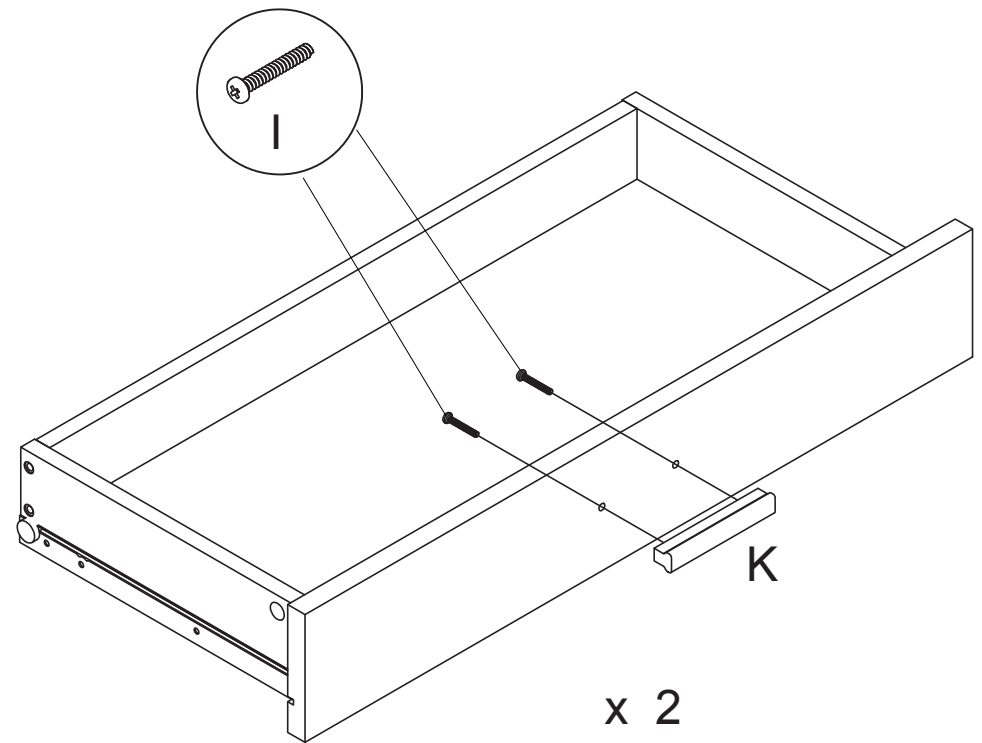
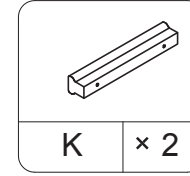
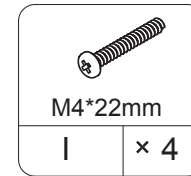
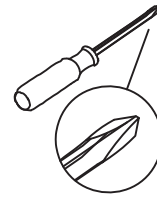
### STEP 10



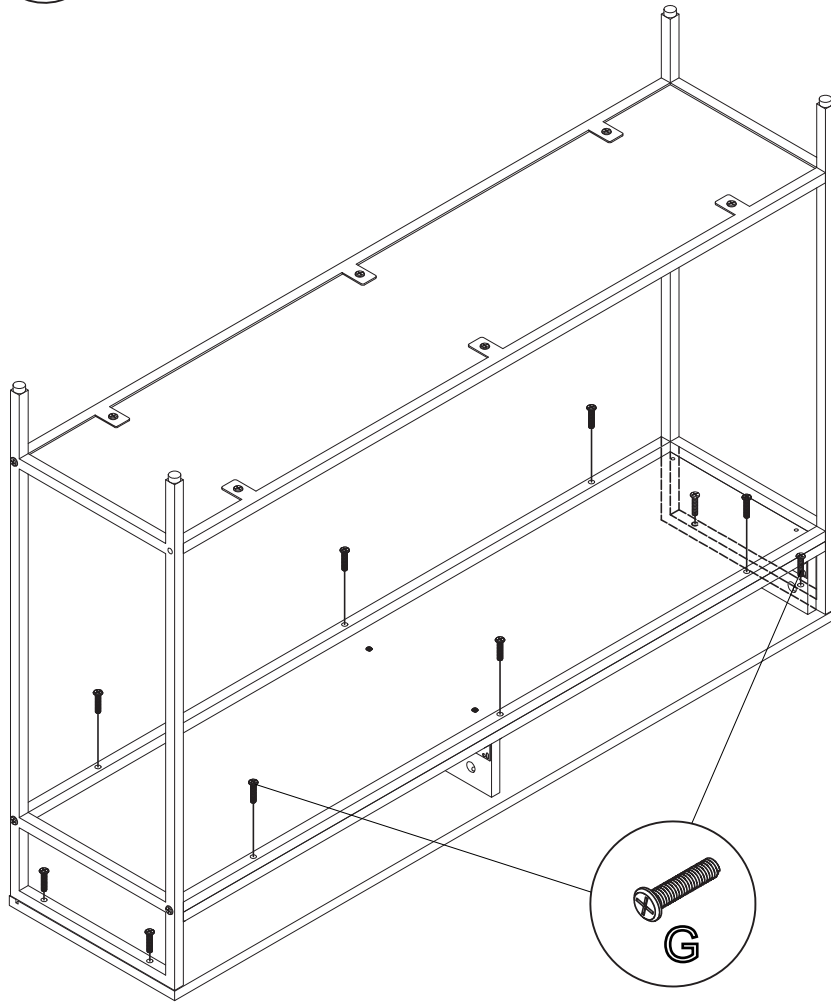
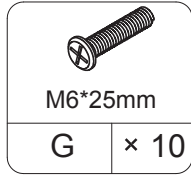
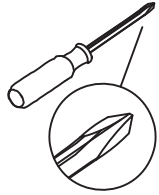
### STEP 11



### STEP 12



### STEP 13



### STEP 14

