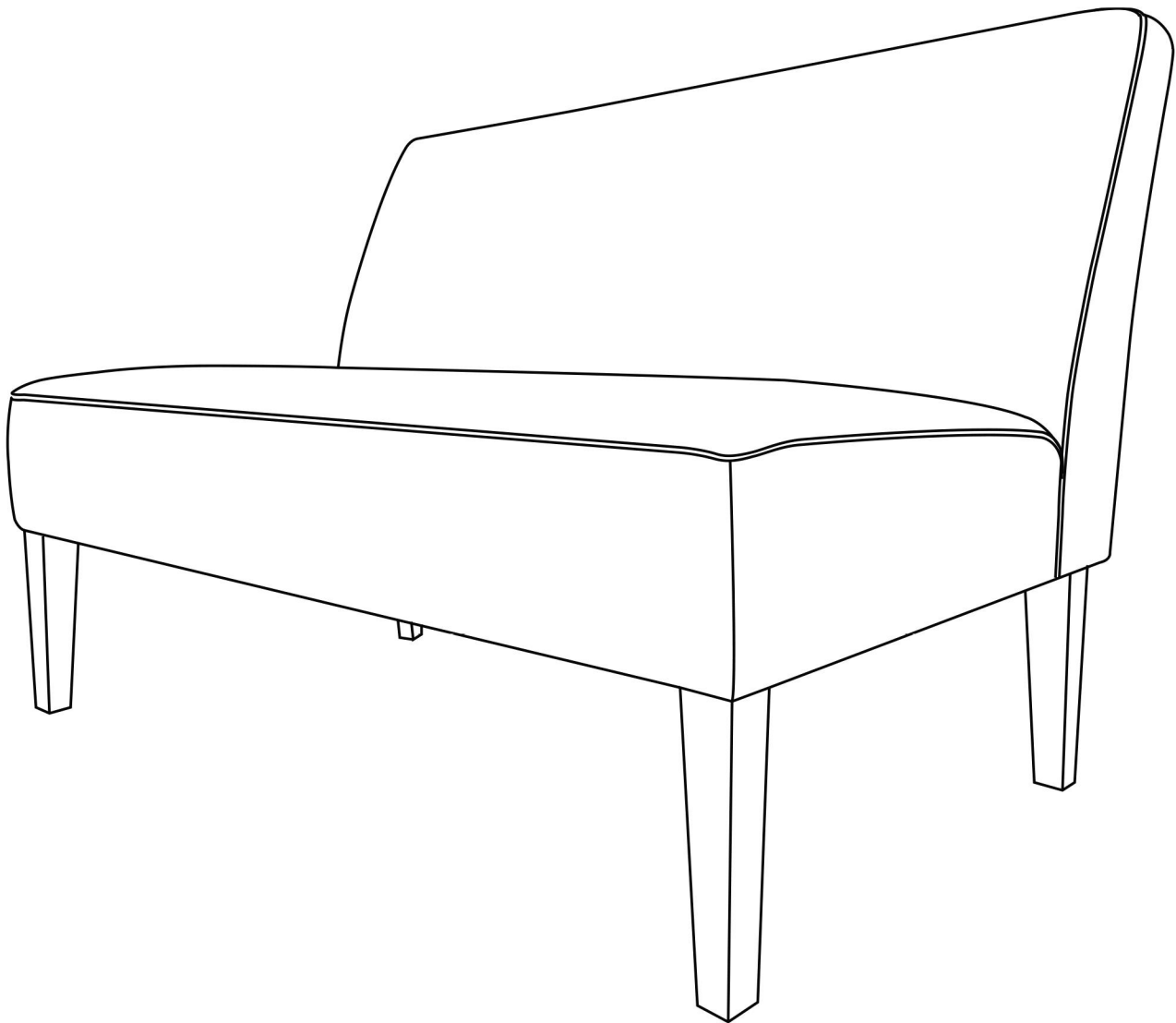


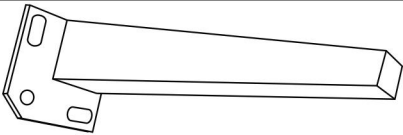
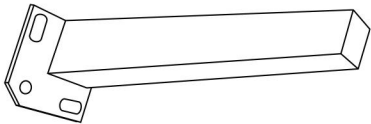
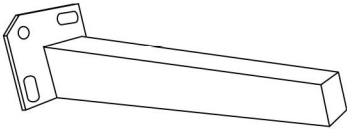
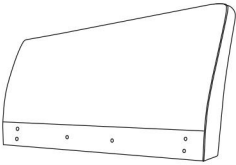
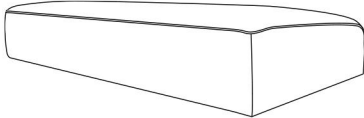
Assembly Instructions

Caution: You must read this before you proceed.





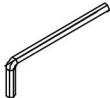
LOVESEAT



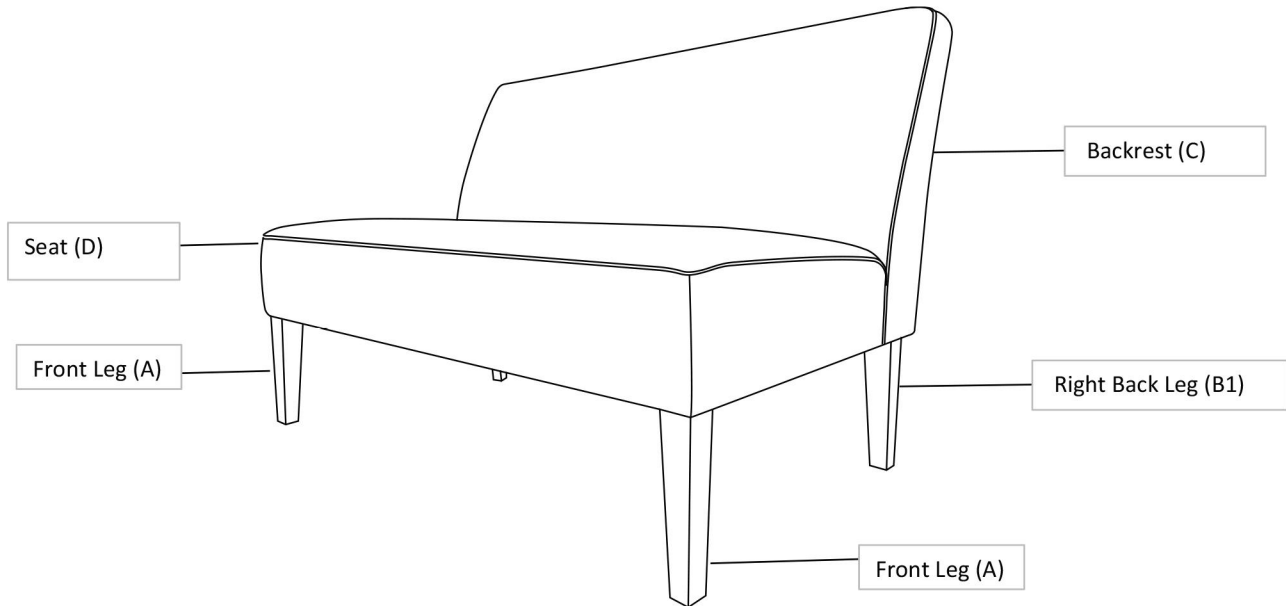
Parts List

Label	Picture	Description	Qty
A		Front Leg	2
B1		Right Back Leg	1
B2		Left Back Leg	1
C		Backrest	1
D		Seat	1

Hardware

Label	Picture	Description	Qty
①		Long Bolts M8X60mm	7
②		Medium Bolts M8X40mm	13
③		Spring Washers	20
④		Washers	20
⑤		Allen Key	1

Assembly Preparation



This Loveseat has multiple parts and may require up to 30 minutes to assemble. To give you an overview of the Loveseat parts, the above picture is to help you put the various Loveseat parts into perspective. Please read through the instructions to familiarise yourself with the parts and steps before assembly.



- Read instructions, cover to cover-



- Have 2 adults on hand for assembly-



- Do not assemble on flooring or carpet-



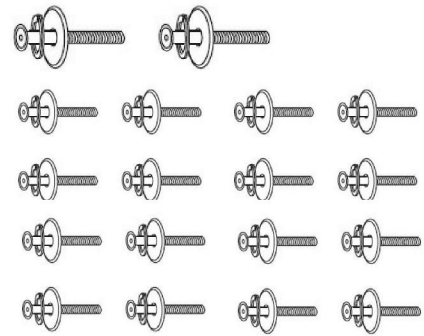
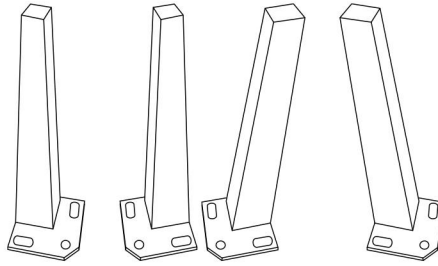
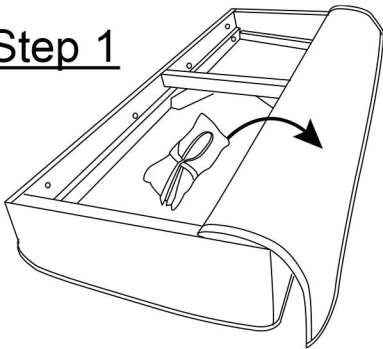
- Assemble on a clean non-marring surface (packing foam)-



- Save all packaging until finished-

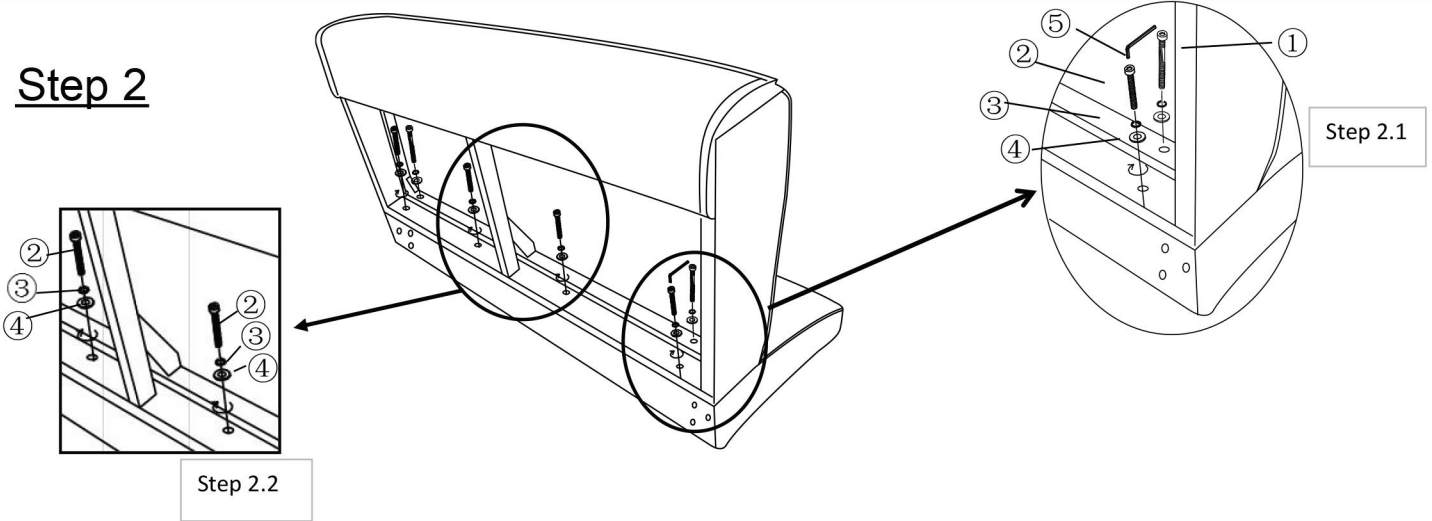
Assembly Steps

Step 1



REMOVE the non-woven fabric from under the seat, take out the legs and hardware accessories.

Step 2



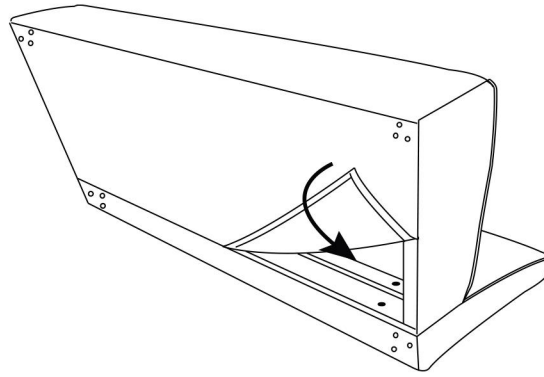
Put the Backrest onto a flat table or panel, insert the positioning dowels on the Seat panel to the mounting position on the Backrest panel.

You will see 6 (six) attachment points.

Step 2.1 Attach the Seat(D) to Backrest (C) with the Long Bolt (①) & Medium Bolt (②) + Spring Washer Ring(③) + Washer(④) as shown. Use the Allen Key(⑤) to fasten all six bolts.

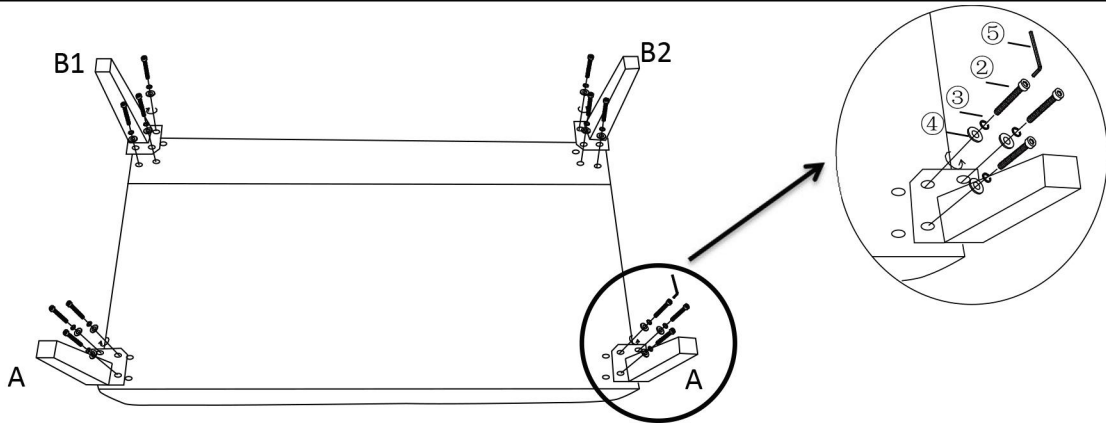
Step 2.2 Attach the Seat(D) to Backrest (C) with the Medium Bolt (②) + Spring Washer Ring(③) + Washer(④) as shown . Use the Allen Key(⑤) to fasten all six bolts.

Step 3



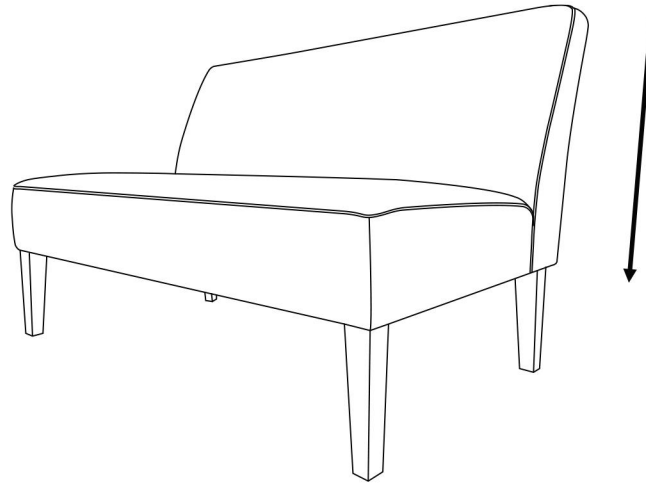
Place the velcro non-woven fabric cover back underneath the Seat(D)

Step 4



Install the legs (A&B1&B2) to Seat by using the Medium Bolt (②) + Spring Washer (③) + Washer(④) as shown. Use the Allen Key(⑤) to fasten all bolts.
Caution:Do not fully tighten.

Step 5



Place the Loveseat on a **LEVEL SURFACE** to see if it wobbles.

If it wobbles, press firmly down on Seat and Backrest at the same time. This will help to ensure all Bolts and gaps reach full alignment status.

If no wobbles found, proceed to tighten all the bolts. **DO NOT** fully tighten a **BOLT** in one go and then move on to the next. Rather, In a sequential manner, gradually tighten each Bolt until all bolts are evenly secured.





















This methodology will ensure maximum evenness once all Bolts are fully tightened.

Now tighten all the bolts until the chair is not wobbling on the **LEVEL SURFACE**.

Your Loveseat is ready for use.

This Loveseat can only be used on a flat, level surface.

Care & Maintenance

-   ● Do not put hot items directly on furniture surface.
 -   ● Do not clean furniture with harsh cleansers or polish.
 -   ● Do not place furniture under direct sunlight.
 -   ● Do not place furniture near heating or cooling vents.
 -   ● Do not write on furniture without a padded barrier to protect the surface.
 -   ● Do not place furniture outside. For indoor use only.
 -   ● Not for commercial use. For residential use only.
 -   ● Stains may be removed with mild soap solution and damp cloth.
 -   ● Children should not climb or jump on the furniture.
-
-   ● Dust and pick-up spills using a clean, non-colored, lint-free cloth.

Questions & Answers about Proposition 65

• What is Proposition 65?

Proposition 65 requires businesses to provide warnings to Californians about significant exposures to chemicals that cause cancer, birth defects or other reproductive harm.

These chemicals can be in the products that Californians purchase, in their homes or workplaces, or that are released into the environment. By requiring that this information be provided, Proposition 65 enables Californians to make informed decisions about their exposures to these chemicals.

Proposition 65 also prohibits California businesses from knowingly discharging significant amounts of listed chemicals into sources of drinking water.

Proposition 65 requires California to publish a list of chemicals known to cause cancer, birth defects or other reproductive harm. This list, which must be updated at least once a year, has grown to include approximately 900 chemicals since it was first published in 1987.

• What types of chemicals are on the Proposition 65 list?

The list contains a wide range of naturally occurring and synthetic chemicals that include additives or ingredients in pesticides, common household products, food, drugs, dyes, or solvents. Listed chemicals may also be used in manufacturing and construction, or they may be byproducts of chemical processes, such as motor vehicle exhaust.

• What does a warning mean?

If a warning is placed on a product label or posted or distributed at a workplace, a business, or in rental housing, the business issuing the warning is aware or believes that it is exposing individuals to one or more listed chemicals.

By law, a warning must be given for listed chemicals unless the exposure is low enough to pose no significant risk of cancer or is significantly below levels observed to cause birth defects or other reproductive harm.

• Where can I get more information on Proposition 65?

If you have specific questions on the administration or implementation of Proposition 65, you can contact OEHHA's Proposition 65 program at P65.Questions@oehha.ca.gov, or by phone at (916) 445-6900.