

ASSEMBLY INSTRUCTIONS

MODEL #

WI4568S

Questions?

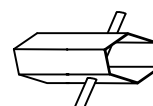
GIVE US A CALL: 1-888-980-5122
MON-FRI 8:30AM - 5:30PM (PT)

TOOLS REQUIRED



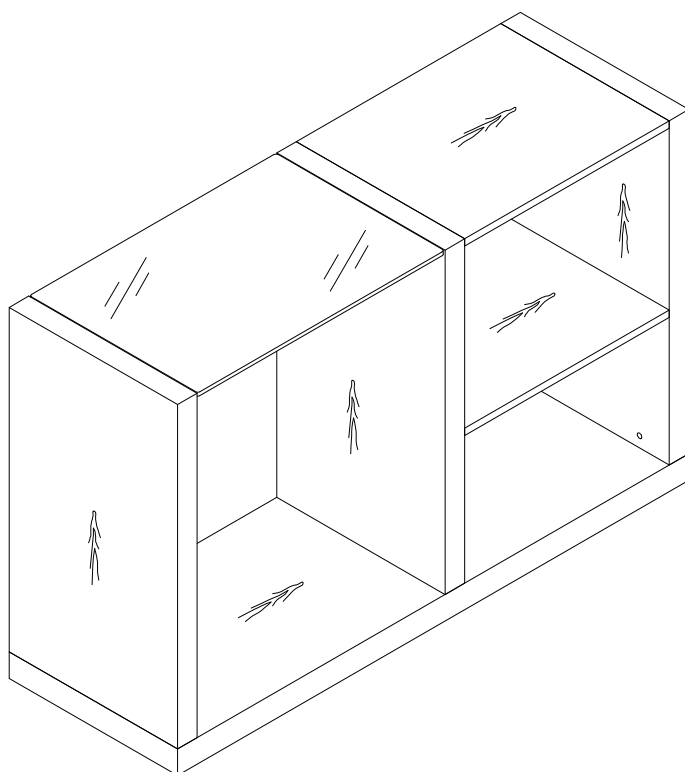
Phillips Screwdriver

(Not Included)



Socket Wrench

(Included)



2 - People
Recommended

ASSEMBLY RATING



EASY —————> DIFFICULT

The Assembly Rating is a 5-point system showing the level of effort needed to assemble a specific product.



FOA Intro

Thank you for your purchase!


We hope you enjoy this new addition to your home for many years to come.

Our commitment to providing quality products does not simply end when you purchase our product. We fully stand behind our products from start to finish. Our customer service department is available Monday – Friday 8:30 AM – 5:30 PM Pacific Time and can help with assembly questions as well as, if necessary, replacing damaged or missing parts. To help expedite our service, please have these assembly instructions readily available, along with your order receipt.

 **Consumer Hotline**
Toll-Free 1-888-980-5122

 **WEBSITE**
www.foagroup.com

    foagroup

 **Monday to Friday**
8:30AM- 5:30PM (PT)

 **E-MAIL**
cs.ec@foagroup.com

 FurnitureOfAmerica

CHECK BEFORE STARTING

Are you missing anything?
Double-check all parts, hardware and accessories listed are all accounted for.

Should we send any replacements?
Are there any irregularities or flaws in the parts? We can send replacements!

Check out our Quick Tips!
We recommend reviewing the pre-assembly handouts. Even experts need a refresher now and then!

Prep Time!
Please review the assembly instructions and all diagrams prior to assembling.

PRE ASSEMBLY INTRODUCTION

We understand building ready-to-assemble furniture can be a challenging experience for some. To help avoid confusion, we have provided some helpful tips that may speed up the process.



Teamwork

ALWAYS have at least two people to help with transporting and assembling the product to avoid potential injury and/or damage.



Suitable Location

Assembling near the area of the intended location is highly recommended.



Sufficient Space

Make sure you have enough space to move around during the assembly.



Avoid Scratches

Use cardboard, blankets or a carpeted area while assembling furniture to prevent to prevent scratches and damages.



Flat Surface

Make sure the furniture rests on a flat and level surface with each leg evenly touching the floor.

ASSEMBLY AND CARE ADVICE



FAILURE TO FOLLOW THE GUIDELINES BELOW MAY RESULT IN INJURY AND/OR PROPERTY DAMAGE.



Position each part correctly and insert screws or bolts into their respective holes.



Turn clockwise to tighten and only tighten when step is completed or when instructed to do so.



Use the appropriate hand tools or power tools for assembly. Select steps, such as tightening screws and/or bolts, may require hand tools to avoid causing damage during assembly.



Save the instructions and store any supplied tools for later maintenance.



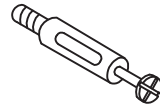
After two weeks, check and tighten any loose hardware and repeat again every six months thereafter.

IT IS THE USER'S RESPONSIBILITY TO MAINTAIN THE FURNITURE. THE HARDWARE MAY LOOSEN OVER TIME AND MAY CAUSE THE FURNITURE TO BE WOBBLY AND UNABLE TO SUPPORT ITS INTENDED WEIGHT CAPACITY. THIS MAY LEAD TO COLLAPSE AND MAY CAUSE SERIOUS INJURY.

CAM LOCK FASTENER ASSEMBLY INSTRUCTIONS

Note :

Every cam lock bolt must have a cam lock connector in order to fasten the parts together.



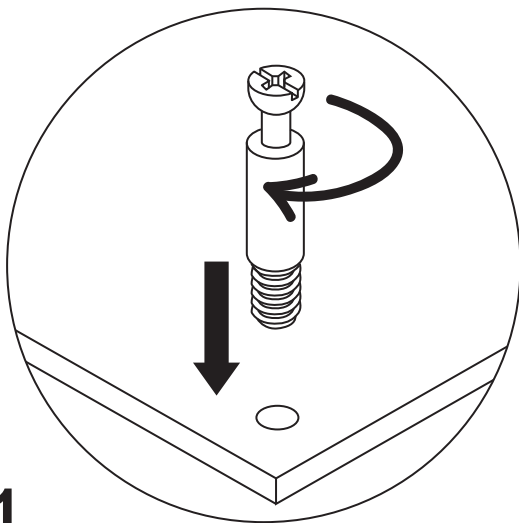
cam bolt



cam lock

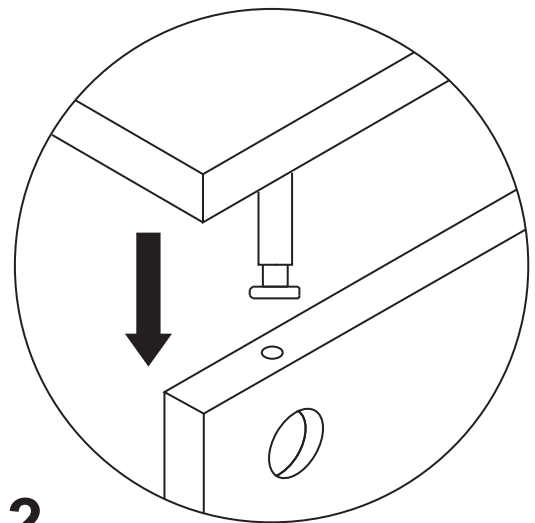


screwdriver



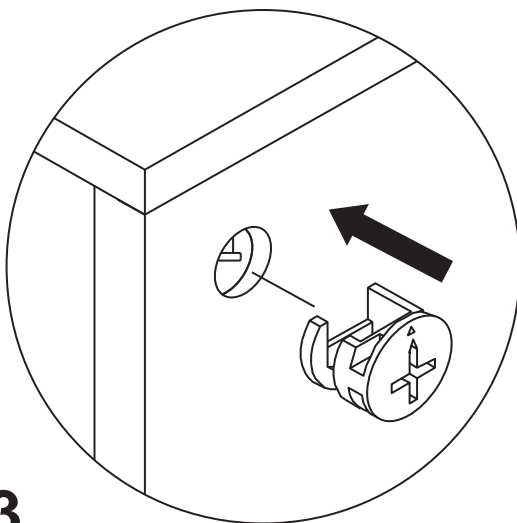
1

Screw the cam bolt into panel.



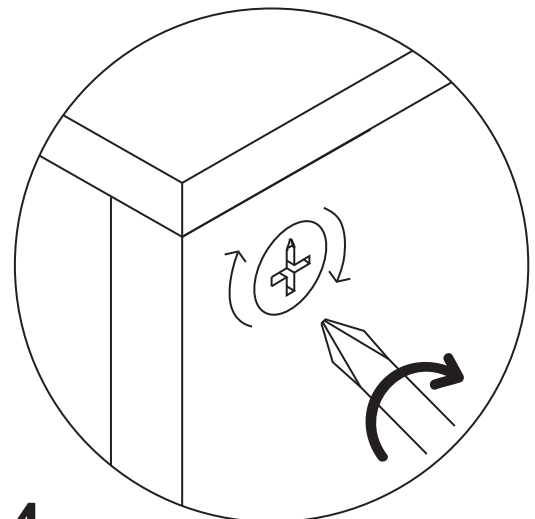
2

Insert the cam bolt into the bolt hole of joint panel.



3

Align the cam lock with its side opening (or arrow) pointing to cam bolt.



4

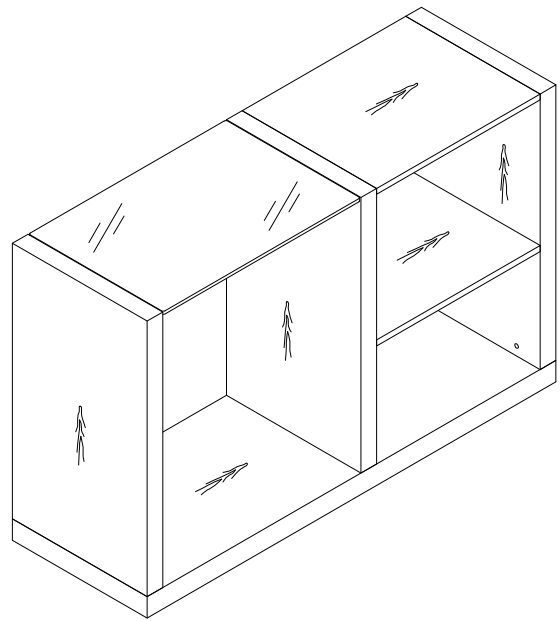
Turn the cam lock clockwise gently until it will not turn any more.

SOFA TABLE

CM4568S

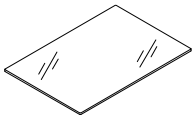


- Please keep instructions for future reference.
- Check the quantity and irregularity of parts and hardware before you start.



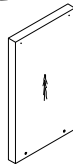
PARTS

#1 1pc



Glass

#2 1pc



Left upright board

#3 1pc



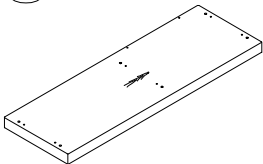
Middle upright board

#4 1pc



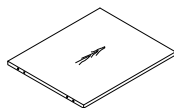
Right upright board

#5 1pc



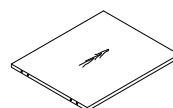
Bottom board

#6 1pc



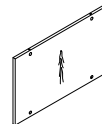
Up board

#7 1pc



Middle board

#8 1pc



Back board

#9 2pcs



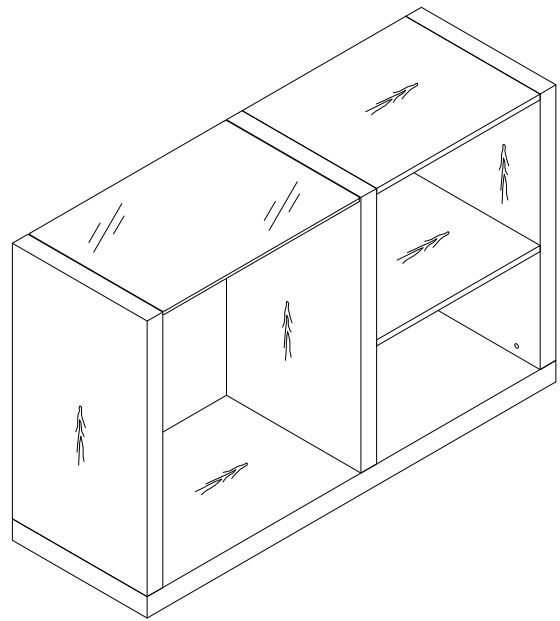
Connection

SOFA TABLE

CM4568S



- Please keep instructions for future reference.
- Check the quantity and irregularity of parts and hardware before you start.



HARDWARE

#A 2pcs



Rod 1/4" x 2-1/8"

#B 4pcs



Rod 1/4" x 3-1/8"

#C 6pcs



Washer Ø16xØ7x1.0

#D 6pcs



Nut M6

#E 6pcs



Hammer Nut

#F 14pcs



Set Screw Ø6x30

#G 4pcs



Screw M5 x 15

#H 4pcs



Sucker

#I 6pcs



Adjustable Foot

#J 1pc



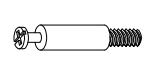
Socket Wrench M6

#K 8pcs



Ø20 Sealing sticker

#L 8pcs



Cam Bolt M6x40

#M 8pcs



Cam Lock Ø14.5x11

#N 4pcs



Cam Bolt M6x24

#O 4pcs

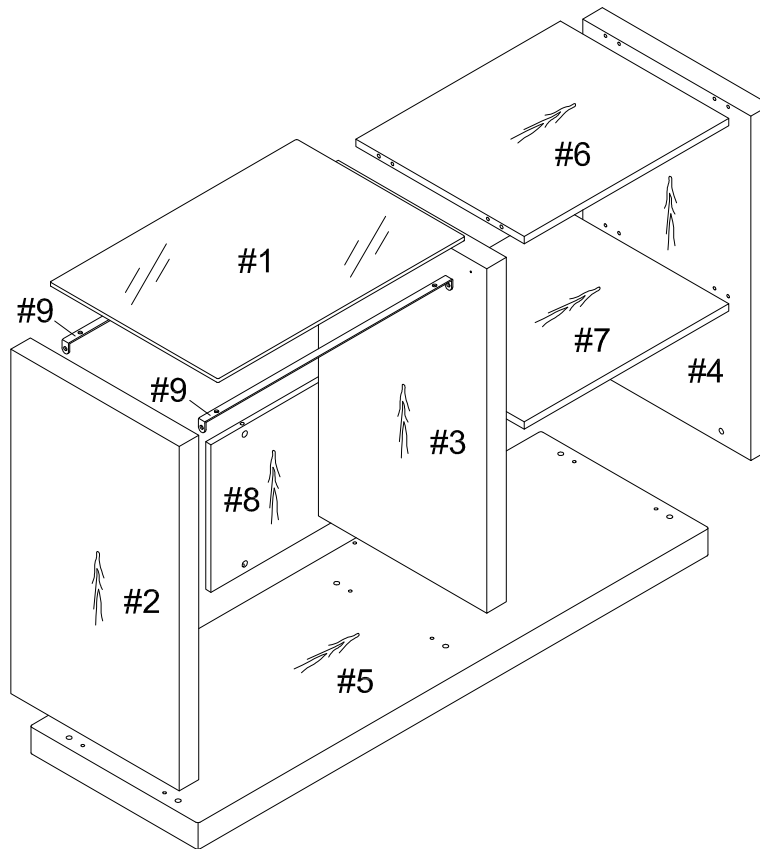


Cam Lock Ø12x10.5

ASSEMBLY INSTRUCTIONS

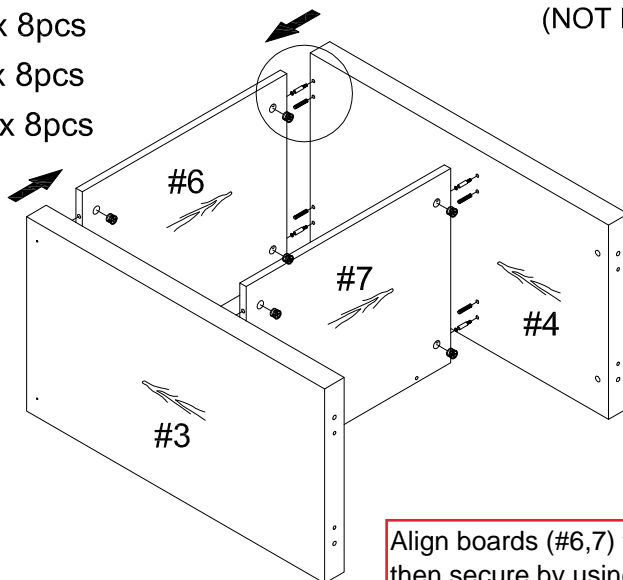
1

Exploded View



2

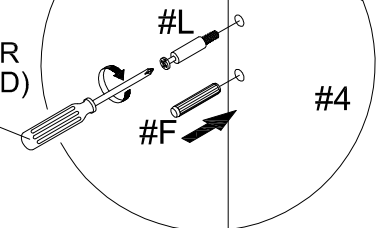
- Part #3 x 1pc
- Part #4 x 1pc
- Part #6 x 1pc
- Part #7 x 1pc
- Hardware #F x 8pcs
- Hardware #L x 8pcs
- Hardware #M x 8pcs



Attach cam bolts (#L) and dowels (#F) onto boards (#2,3).

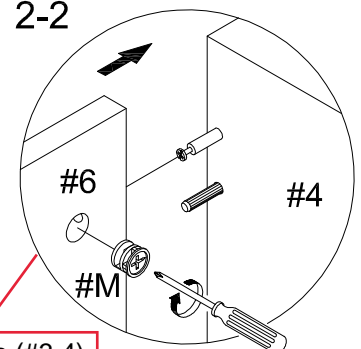
2-1

SCREWDRIVER
(NOT PROVIDED)



2-2

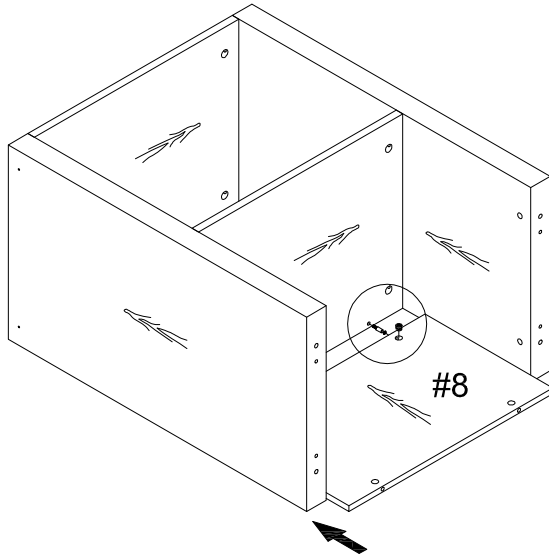
Align boards (#6,7) to the boards (#3,4), then secure by using cam locks (#M).



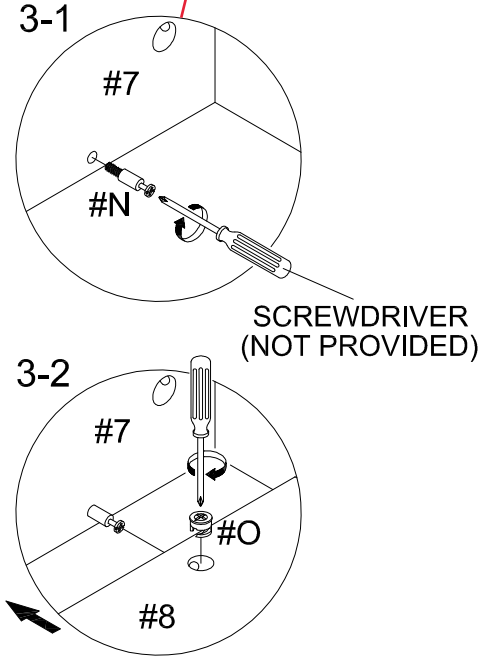
ASSEMBLY INSTRUCTIONS

3

- Part #8 x 1pc
- Hardware #N x 2pcs
- Hardware #O x 2pcs



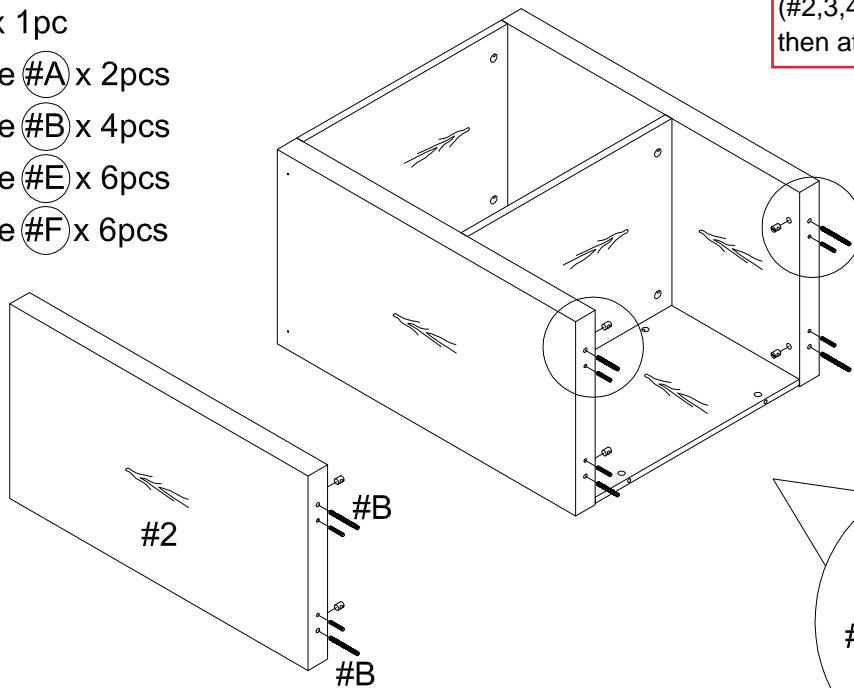
Attach cam bolts (#N) onto board (#7).



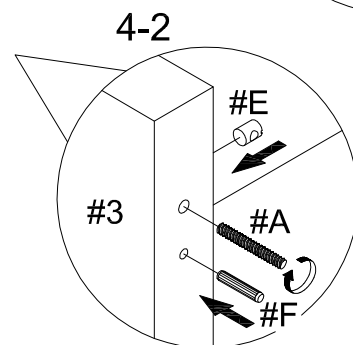
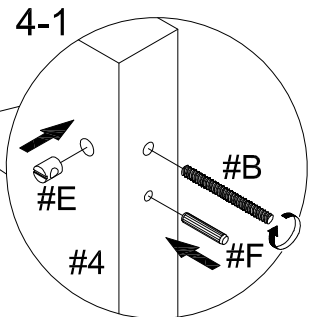
Align board (#8) to the board (#7), then secure by using cam locks (#O).

4

- Part #2 x 1pc
- Hardware #A x 2pcs
- Hardware #B x 4pcs
- Hardware #E x 6pcs
- Hardware #F x 6pcs



Attach threaded bolts (#A,B) to the barrel nuts (#E) onto boards (#2,3,4) as shown in the diagram, then attach dowels (#F).



ASSEMBLY INSTRUCTIONS

5

Attach cam bolts (#N) onto board (#5), then align board (#5) to the unit. Secure cam bolts (#N) by using cam locks (#O). Secure threaded bolts by using nuts (#D) with washers (#C). Attach levelers (#I) onto the board (#5).

Part #5 x 1pc

Hardware #C x 6pcs

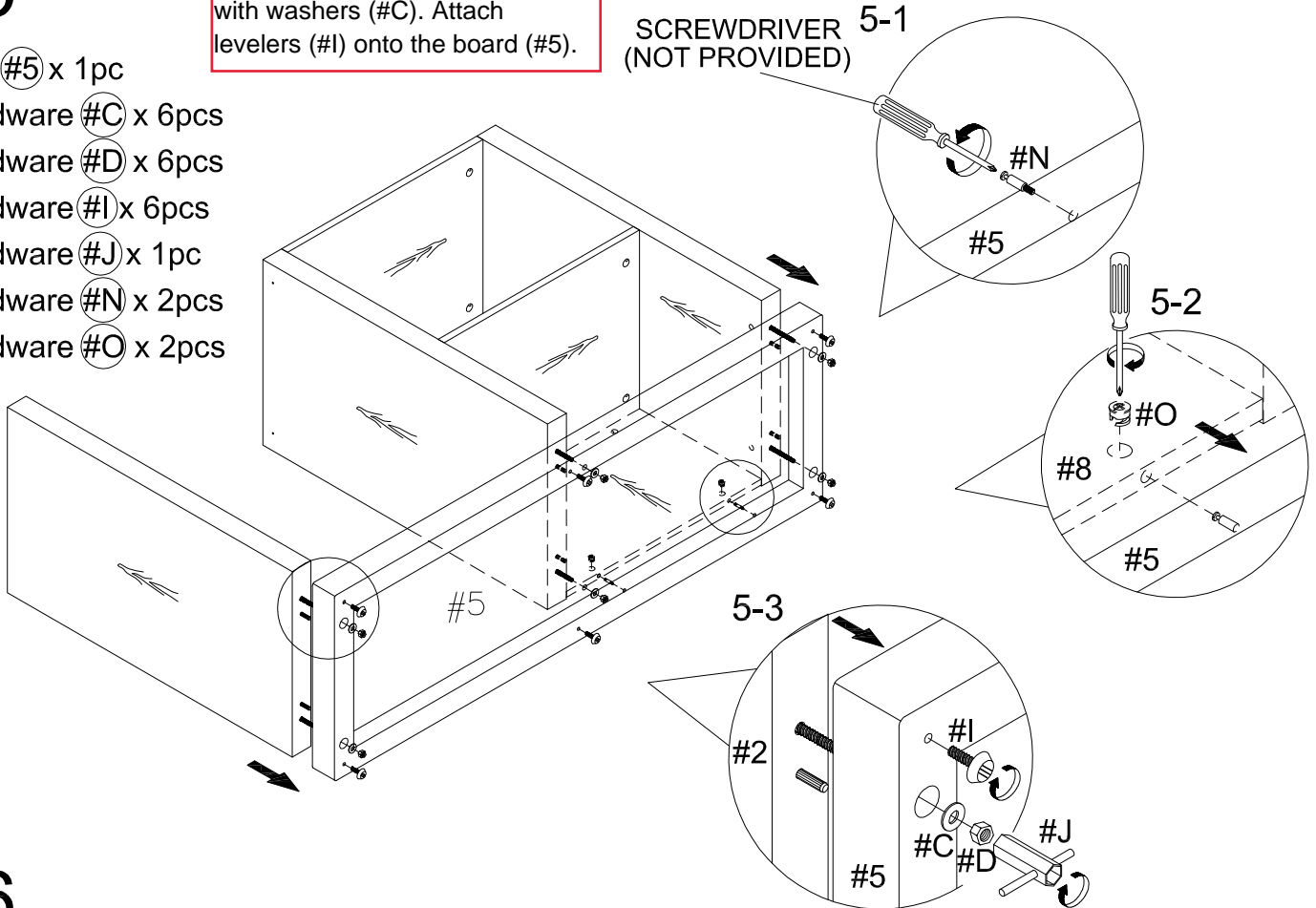
Hardware #D x 6pcs

Hardware #I x 6pcs

Hardware #J x 1pc

Hardware #N x 2pcs

Hardware #O x 2pcs

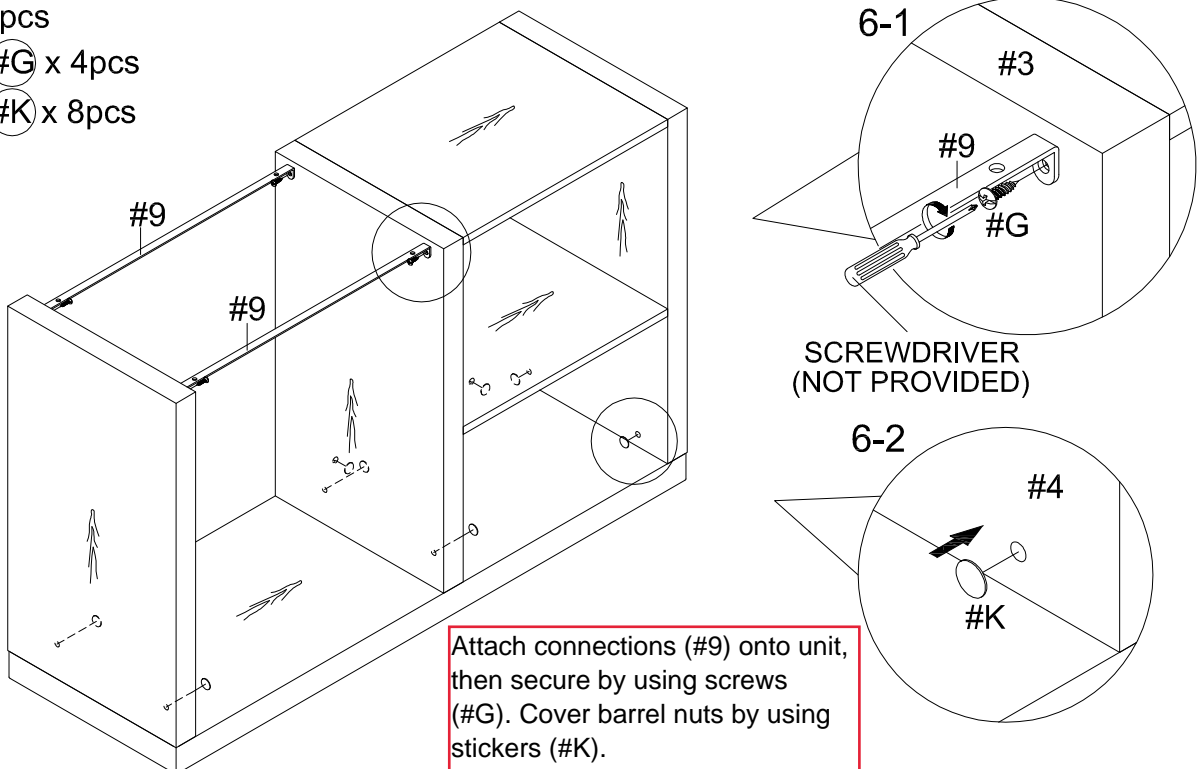


6

Part #9 x 2pcs

Hardware #G x 4pcs

Hardware #K x 8pcs



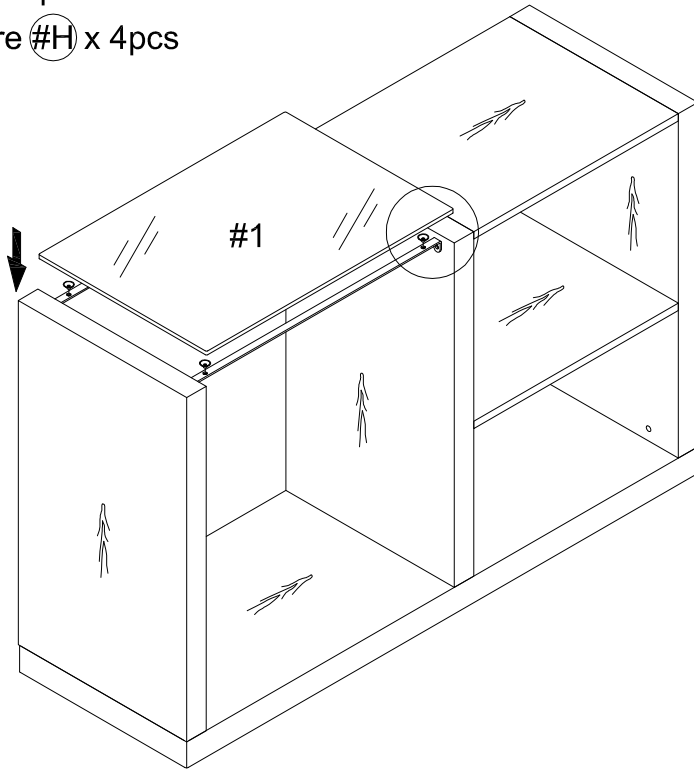
Attach connections (#9) onto unit, then secure by using screws (#G). Cover barrel nuts by using stickers (#K).

ASSEMBLY INSTRUCTIONS

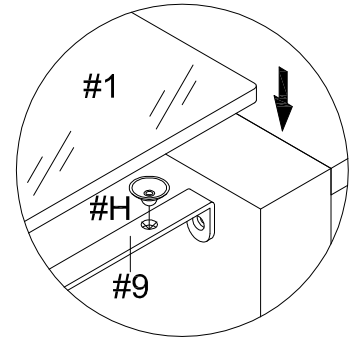
7

Part #1 x 1pc

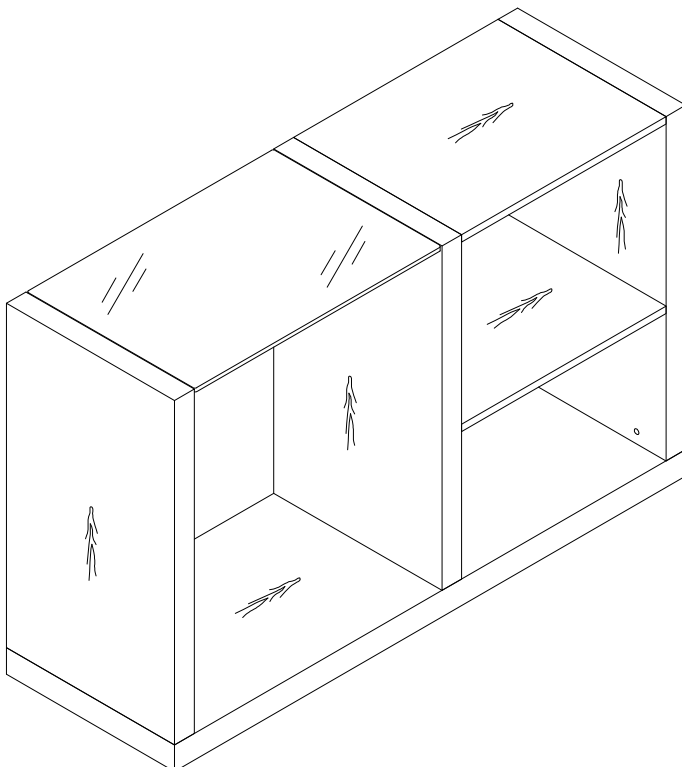
Hardware #H x 4pcs



Attach suckers (#H) onto connections (#9), then place glass (#1) onto the top.



8



ASSEMBLY COMPLETED



Please ensure the furniture rests on an even and flat surface. If the product wobbles or feels loose, double-check all bolts and/or screws are properly tightened and secured.

✓ Keep this handy!

Please retain this instruction manual and any order-related information for future reference.

✓ Lift, don't drag!

To avoid damage to product please always LIFT the product when transporting or adjusting the placement.