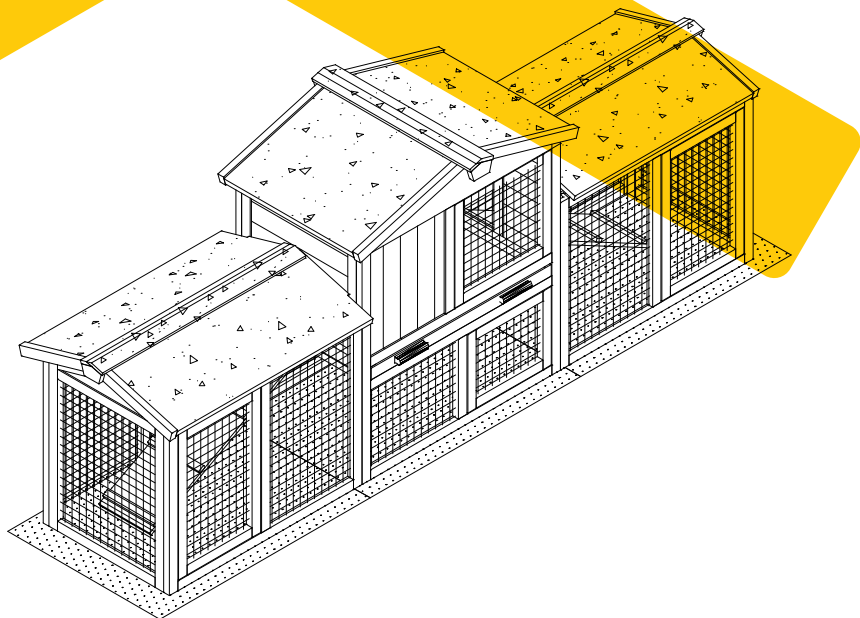


INSTRUCTION MANUAL





NOTICE

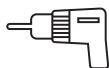
Please retain these instructions for future reference.

- Firmly secure all bolts,screws and knobs before use.
- Reconfirm that all bolts,screws,and knobs are secure every 90 days.
- Fasten screws loosely during initial assembly. Do not fully tighten screws until the item is completely assembled.
- Do not use or store this item in the proximity of open flame or flammable/combustible chemicals.
- Be aware that some parts are heavy and have sharp edges.
- Be aware that moving parts can injure,crush and cut.
- If any parts are missing,broken,damaged,or worn,stop using this product until repairs are made and/or factory replacement parts are installed.
- Do not use this item in a way inconsistent with the manufacturer's instructions as this could void the product warranty.

TOOLS REQUIRED //



PHILLIPS
SCREWDRIVER



DRILL
(RECOMMENDED)



2PERSON
ASSEMBLY



APPROXIMATELY
45MIN. ASSEMBLY

HARDWARE //

M3.5x50mm SCREW
8PCS+1spare



P1

M3.5x40mm SCREW
16PCS+1spare



P2

M3.5x35mm SCREW
28PCS+1spare



P3

M3.5x25mm SCREW
12PCS+1spare



P4

M3.0x16mm SCREW
8PCS+1spare



P5

M3.0x10mm SCREW
2PCS+1spare



P6

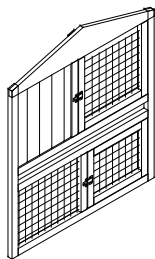
1PC



P7

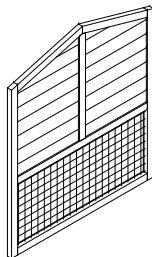
PARTS

Front panel
1PC



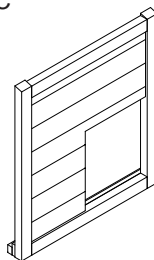
A

Back panel
1PC



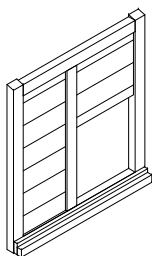
B

Right side panel
1PC



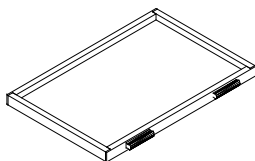
C1

Left side panel
1PC



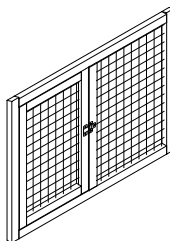
C2

Tray
1PC



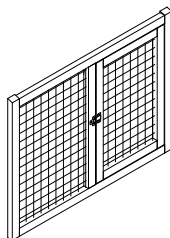
D

Front panel of pen 1
1PC



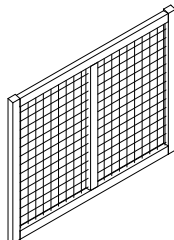
E1

Front panel of pen 2
1PC



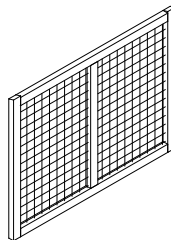
E2

Back panel of pen 2
1PC



F1

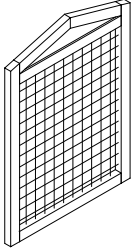
Back panel of pen 1
1PC



F2

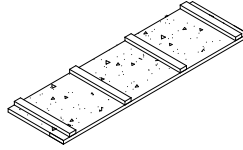
PARTS

Side panel of pen
2PCS



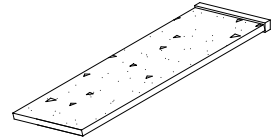
G

Ramp
2PCS



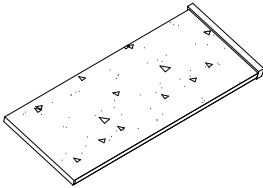
H

Pen roof
2PCS



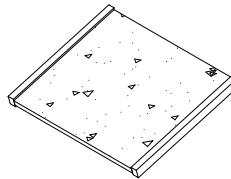
I

Pen roof
2PCS



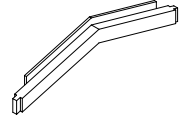
I2

Wooden hutch roof
2PCS



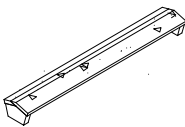
J

Splayed supporting bar
2PCS



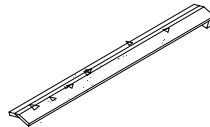
K

Wooden hutch roof cap
1PC



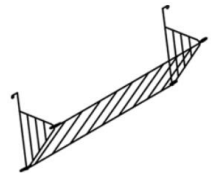
L

Pen roof cap
2PCS



M

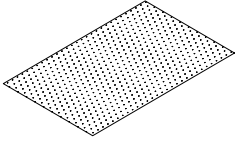
Folding metal feeder
1PC



N

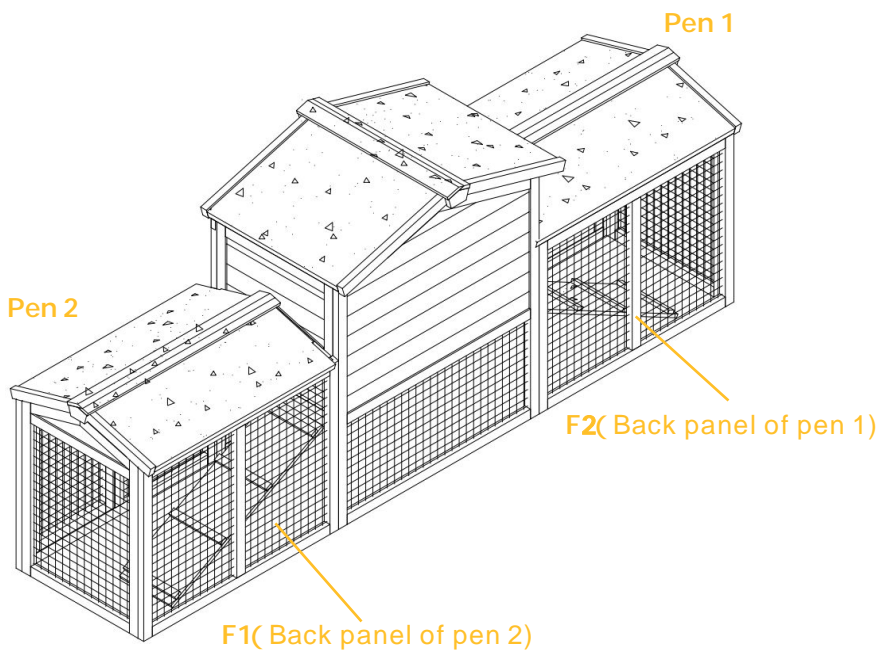
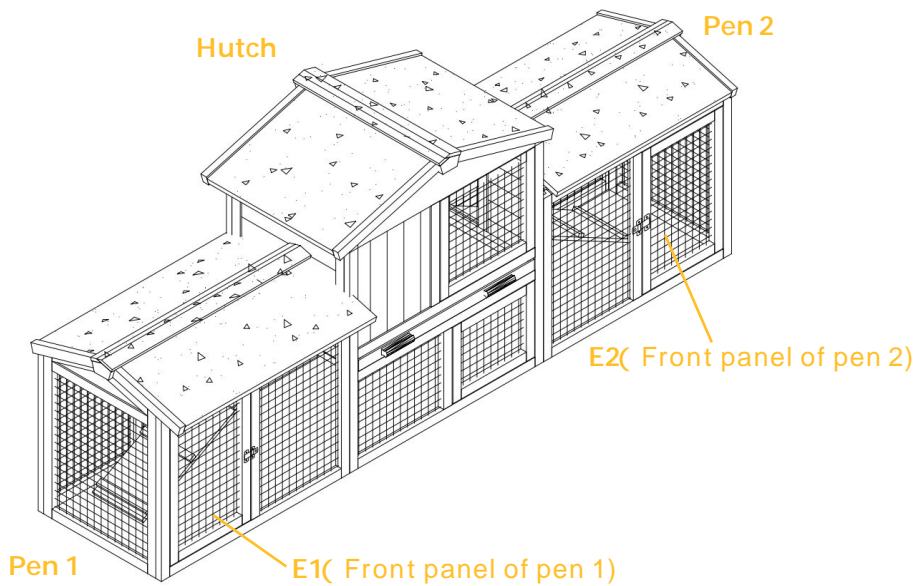
PARTS //

Put in the divider Part D
3PCS



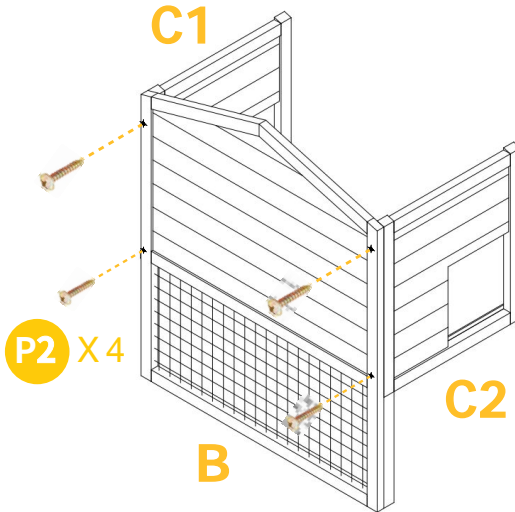
O

PARTS

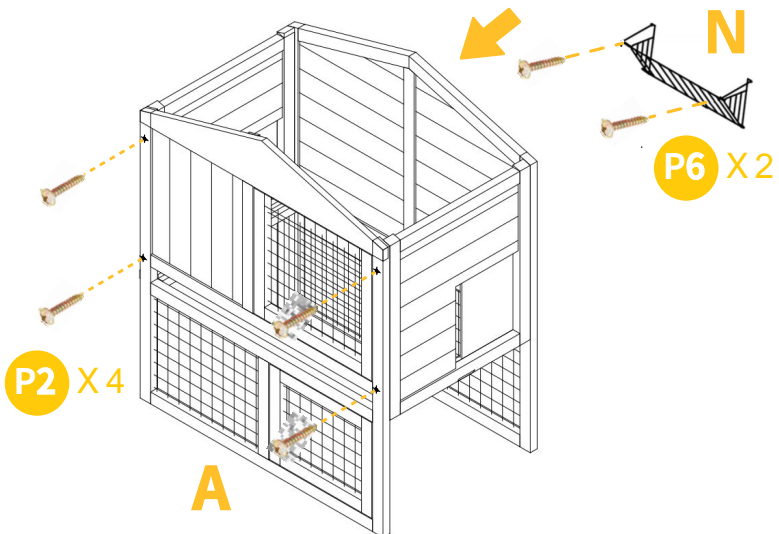


PRODUCT ASSEMBLY //

01 Attach a Part B to Part C1 and Part C2 by 4pcs of screws.

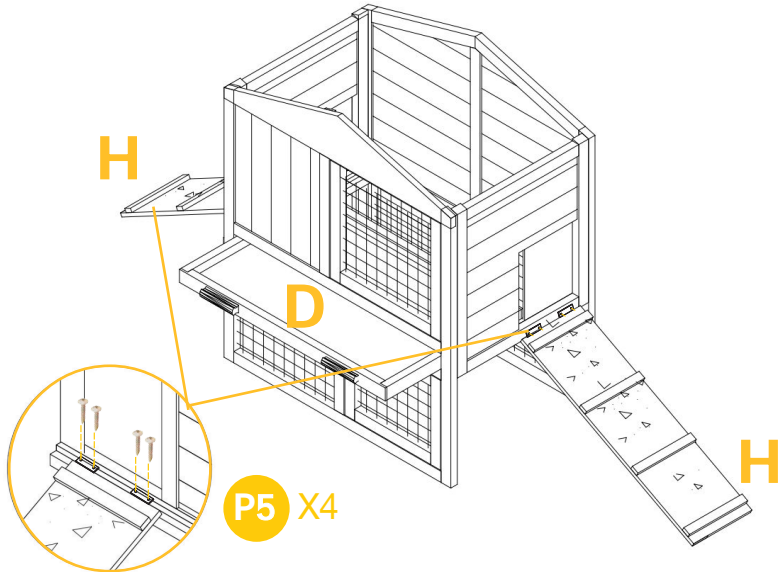


02 Attach front panel Part A to two side panels by 4pcs of P2 screws. Screw the feeder Part N inside the back panel Part B by 2pcs of P6 screws.

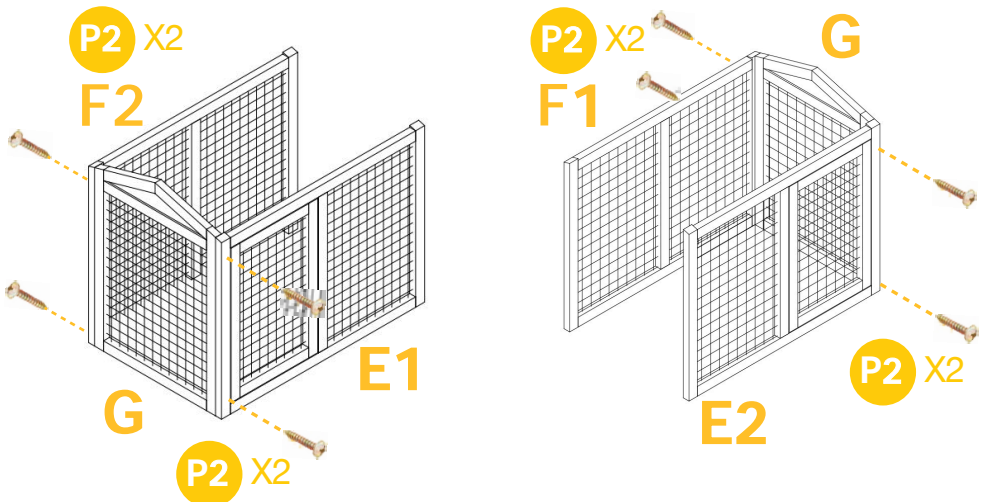


PRODUCT ASSEMBLY //

03 Screw the ramp Part H to the left, right bar by 4pcs of P5 screws on each side.



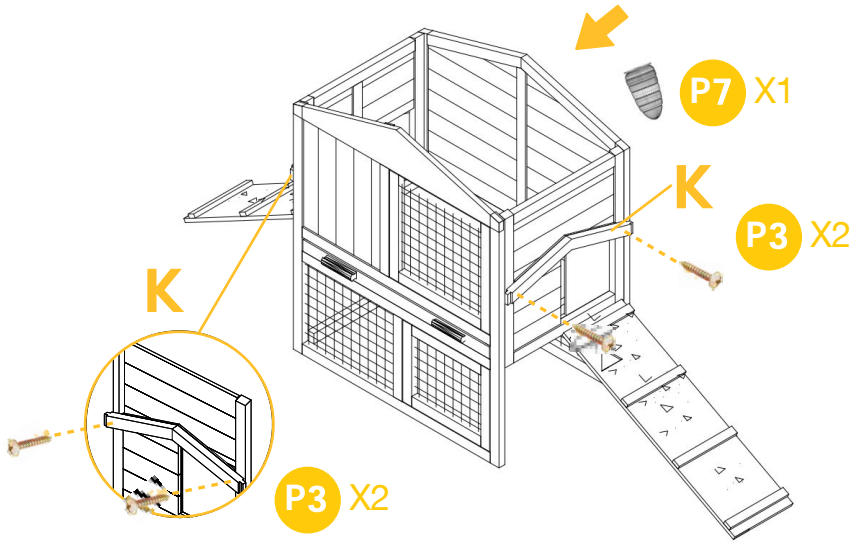
04 Assemble the left and right pen. Connect the front panel E2, back panel F2 and side panel G by 2pcs of P2 screws on each side. Repeat this step on the left pen.



PRODUCT ASSEMBLY //

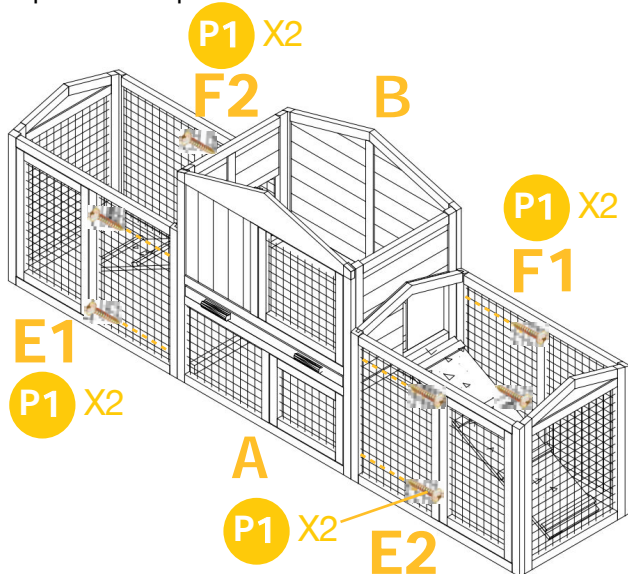
05

Screw the splayed supporting bar Part K to the right side panel by 2pcs of P3 screws. Repeat this step on the left side.



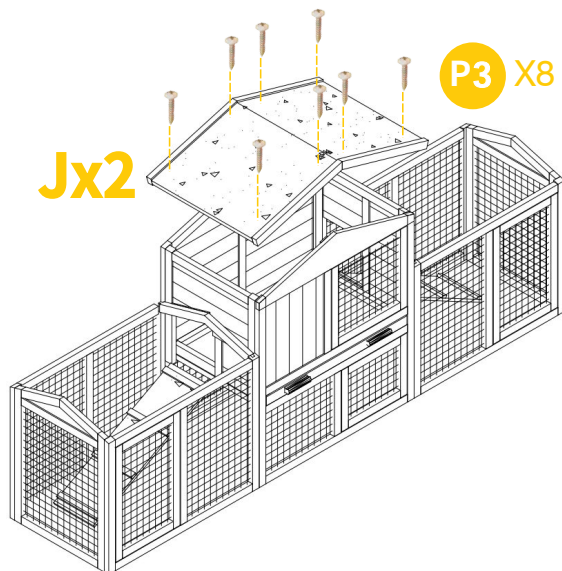
06

Attach the pen to the hutch on the front and back panel by 2pcs of P1 screws on each side. Repeat this step on the left side.

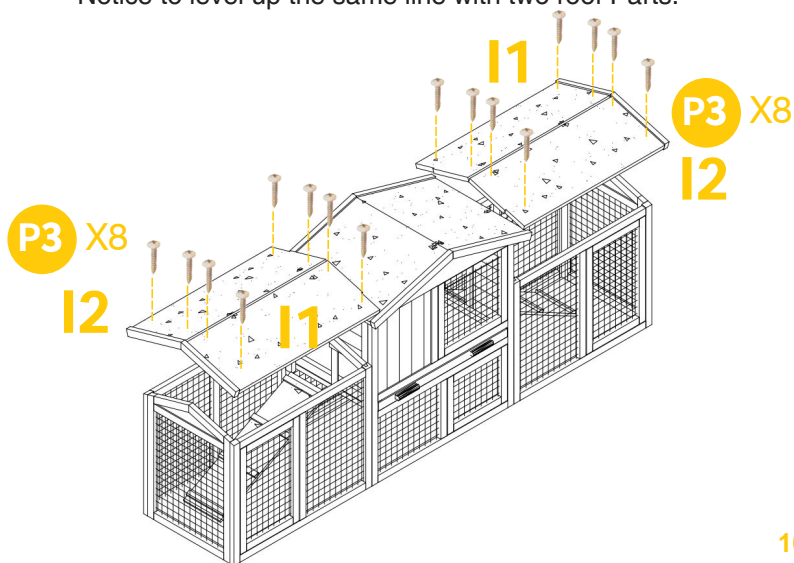


PRODUCT ASSEMBLY //

- 07** Attach the two roof Parts J to the hutch by 8pcs of P3 screws.
Notice to level up the same line with the two roof Parts.

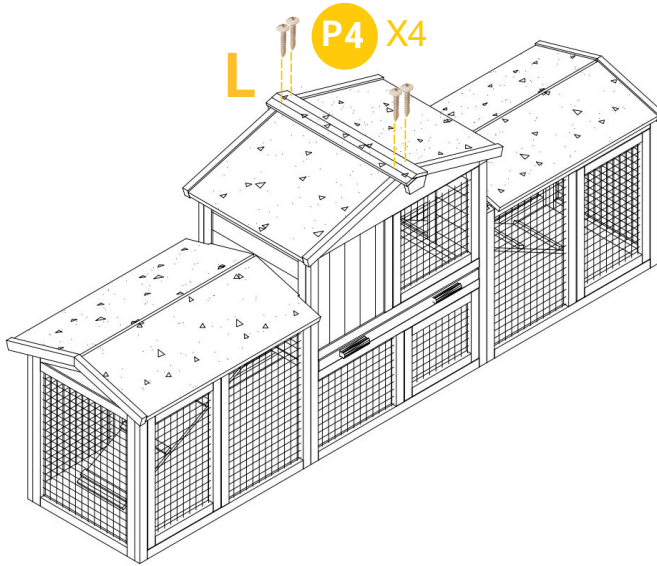


- 08** Attach the two pen roof Parts I1 and I2 to the pen by 8pcs of P3 screws.
Repeat this step on the left side.
Notice to level up the same line with two roof Parts.

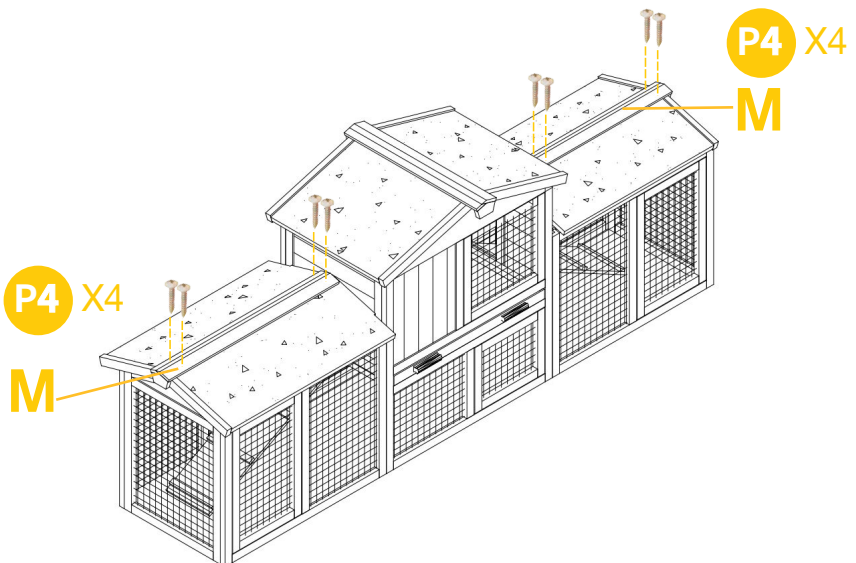


PRODUCT ASSEMBLY //

09 Screw the roof cap Part L into the roof by 4pcs of P4 screws.

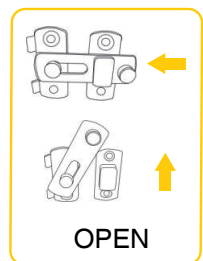
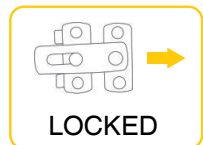
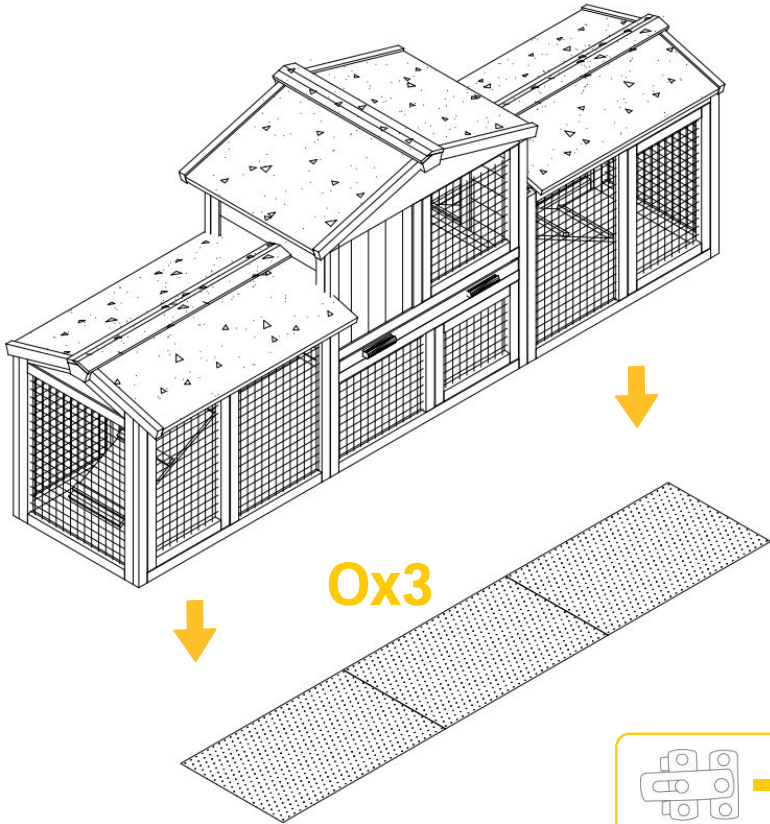


10 Screw the roof cap Part M into the roof by 4pcs of P4 screws. Repeat this step on the left side.



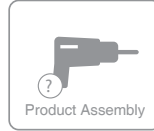
PRODUCT ASSEMBLY //

- 11** If the hutch is putting indoor, after finish the whole hutch, put the 3pcs of PVC layer together then put the hutch above the layer.



HELP CENTER //

Question about your product? we're here to help contact us



THANK YOU //

Thanks for your support .

Your satisfaction is our #1 priority.

Once the items are received, opened, and deemed to be faulty or other problems.

Pls contact us at for the solution.

We will feedback to you within 24 hours.

If you are happy with the shopping ,welcome to share photos and thoughts with others .



WARNING

Manufacturer and seller expressly disclaim any and all liability for personal injury, property damage or loss, whether direct, indirect, or incidental, resulting from the incorrect attachment, improper use, inadequate maintenance, or neglect of this product.