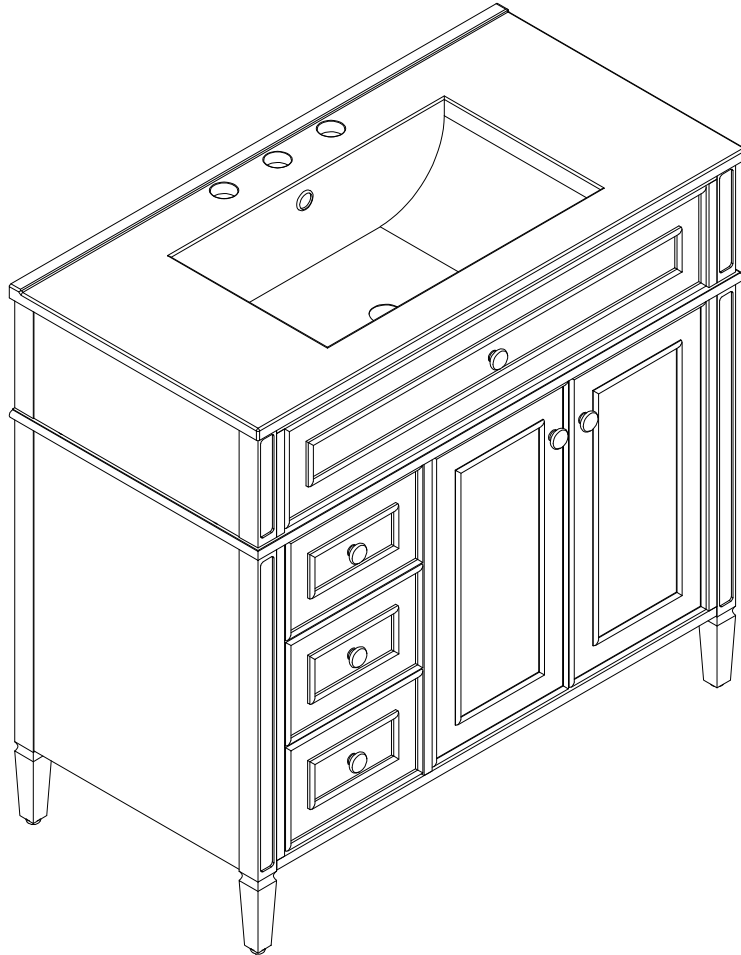
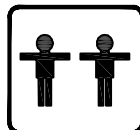


ASSEMBLY INSTRUCTIONS  
36 INCHES BATH VANITY (COMBO)

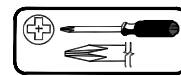


Thank you for purchasing this quality product. Be sure to check all packaging material carefully for small parts which may have come loose inside the carton during shipment. Separate, identify and count all parts and hardware. Compare with the parts list to be sure all parts are present.  
**"DO NOT TIGHTEN SCREWS UNTIL COMPLETELY ASSEMBLED"**

**\* Use of power tool to assemble this product will invalidate any claim and damage this product making unsafe !!!**  
**\* Please assemble on a clean soft surface to avoid damage.**



**Tools Required**



(Not included)

**IMPORTANT:**

**PLEASE READ INSTRUCTION BEFORE STARTING THE ASSEMBLY**

# Before Installation

**Important - Please read these instructions fully before starting assembly**

Thank you for purchasing this quality product. Be sure to check all packing materials carefully for small parts, which may have come loose inside the carton during shipment. Identify and count all items according to the PARTS LIST and/or HARDWARE LIST shown below. Check you have all the components and tools listed on the following pages.

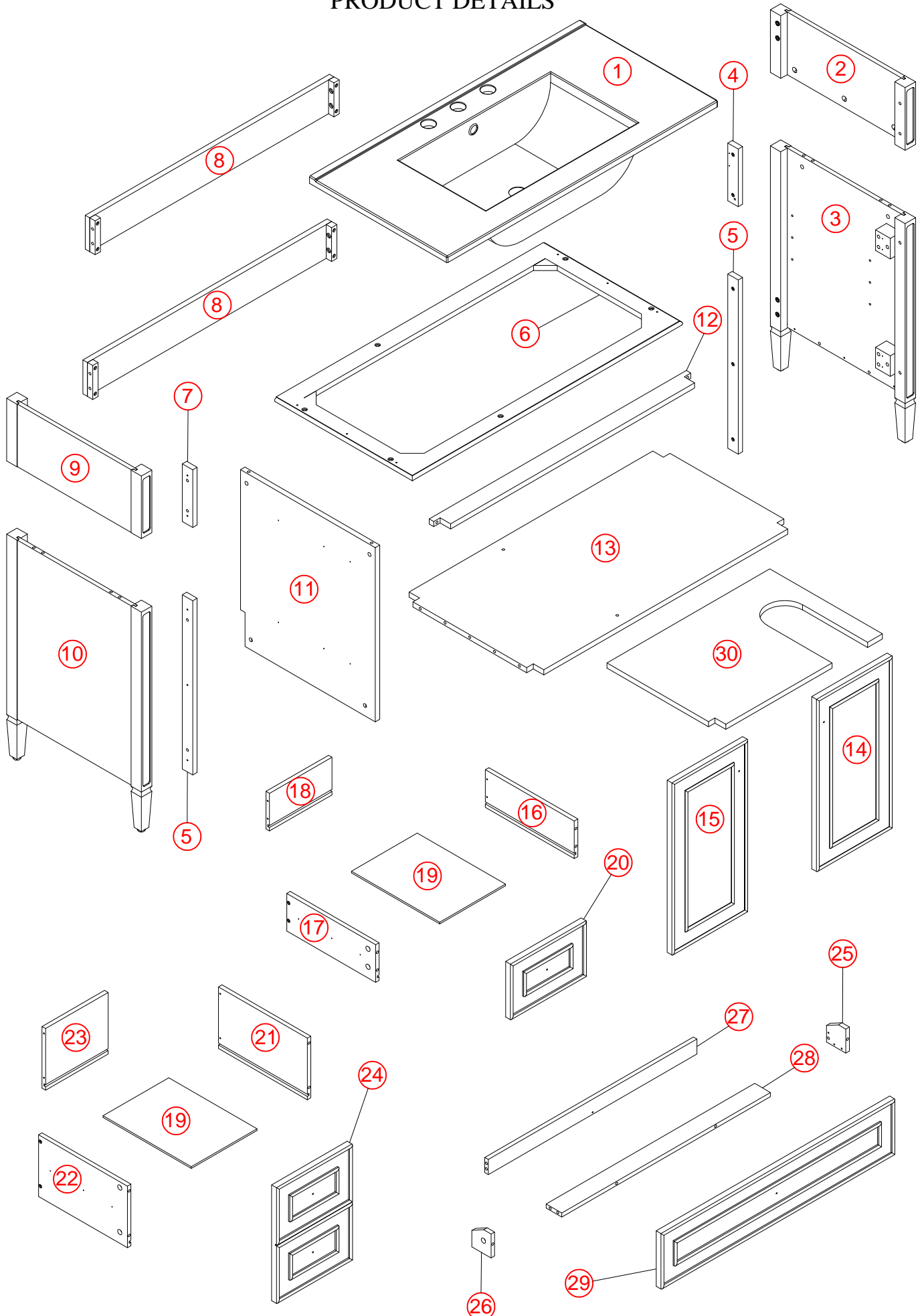
- . We recommend that you assemble this product with the assistance of another person; this will make the assembly easier, and will help eliminate damage to the product or injury to persons during assembly.
- . Please do not over tighten screws or bolts until the assembly is completed.
- . Keep children and animal away from the work area, small parts could choke if swallowed.
- . Please put all parts on a non-abrasive floor before assembly, and follow the assembly steps to assemble your newly purchased product correctly and efficiently.

**If you find that you have any trouble with assembly or missing or damaged parts please contact the seller.**

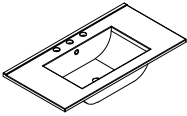

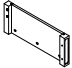
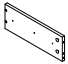
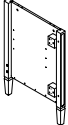
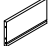



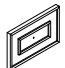
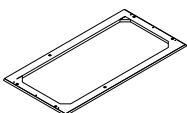
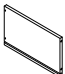

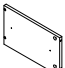
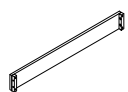

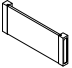
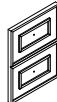
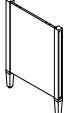

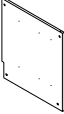

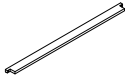
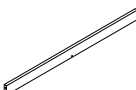
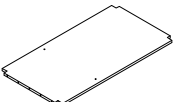
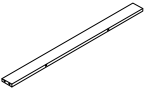
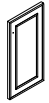
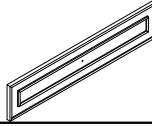

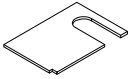
## Cam Lock Assembly Instructions

	<p>Diagram A</p>	<p>Insert Cam Bolt into hole as shown in diagram A.</p>
	<p>Diagram B</p>	<p>Make sure not to insert the Cam Bolt: Too deep as shown in figure B as this will cause the Cam Lock to be misaligned and unable to interlock properly.</p>
	<p>Diagram C</p>	<p>Also avoid inserting the Cam Bolt too close to the surface of the hole as shown in figure C, as this will cause the Cam Lock to be too loose, and not interlock properly.</p>
		<p>Connect the panels together.</p>
		<p>Insert the Cam Lock so the side opening fits over the head of the Cam Bolt.</p>
		<p>To tighten the Cam Lock, turn it clockwise on half a turn with a flat screwdriver. *Do not use an automatic screwdriver as it may bend or break if too much power is imposed.</p>


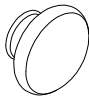





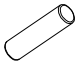

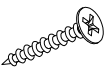


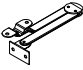

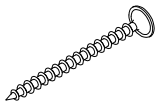

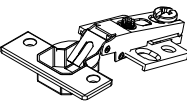
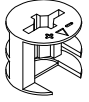

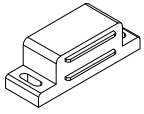
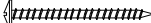


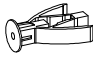
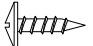


# PRODUCT DETAILS



PARTS LIST

①	SINK ( LAVABO )		1PC	①⑥	RIGHT DRAWER FRONT 1		1PC
②	UPPER RIGHT HIP		1PC	①⑦	LEFT DRAWER FRONT 1		1PC
③	LOWER RIGHT HIP		1PC	①⑧	DRAWER BACK BOARD 1		1PC
④	SIDE BAR UPPER RIGHT		1PC	①⑨	DRAWER BOTTOM		2PCS
⑤	LOWER RIGHT LEFT SIDE BAR		2PCS	②⑩	DRAWER FACE 1		1PC
⑥	MIDDLE FRAME		1PC	②①	RIGHT DRAWER FRONT 2		1PC
⑦	SIDE BAR UPPER LEFT		1PC	②②	LEFT DRAWER FRONT 2		1PC
⑧	REAR CROSSBAR		2PCS	②③	DRAWER BACK BOARD 2		1PC
⑨	UPPER LEFT HIP		1PC	②④	DRAWER FACE 2		1PC
⑩	LOWER LEFT HIP		1PC	②⑤	RIGHT SIDE FLIP DRAWER		1PC
⑪	PARTITION BOARD		1PC	②⑥	LEFT SIDE FLIP DRAWER		1PC
⑫	FRONT UPPER BAR		1PC	②⑦	BACK OF FLIP-UP DRAWER		1PC
⑬	BOTTOM BOARD		1PC	②⑧	FLIP-UP DRAWER BOTTOM		1PC
⑭	RIGHT DOOR PANEL		1PC	②⑨	FLIP-OFF DRAWER FRONT		1PC
⑮	LEFT DOOR PANEL		1PC	③⑩	LOWER LEFT DRAWER		1PC

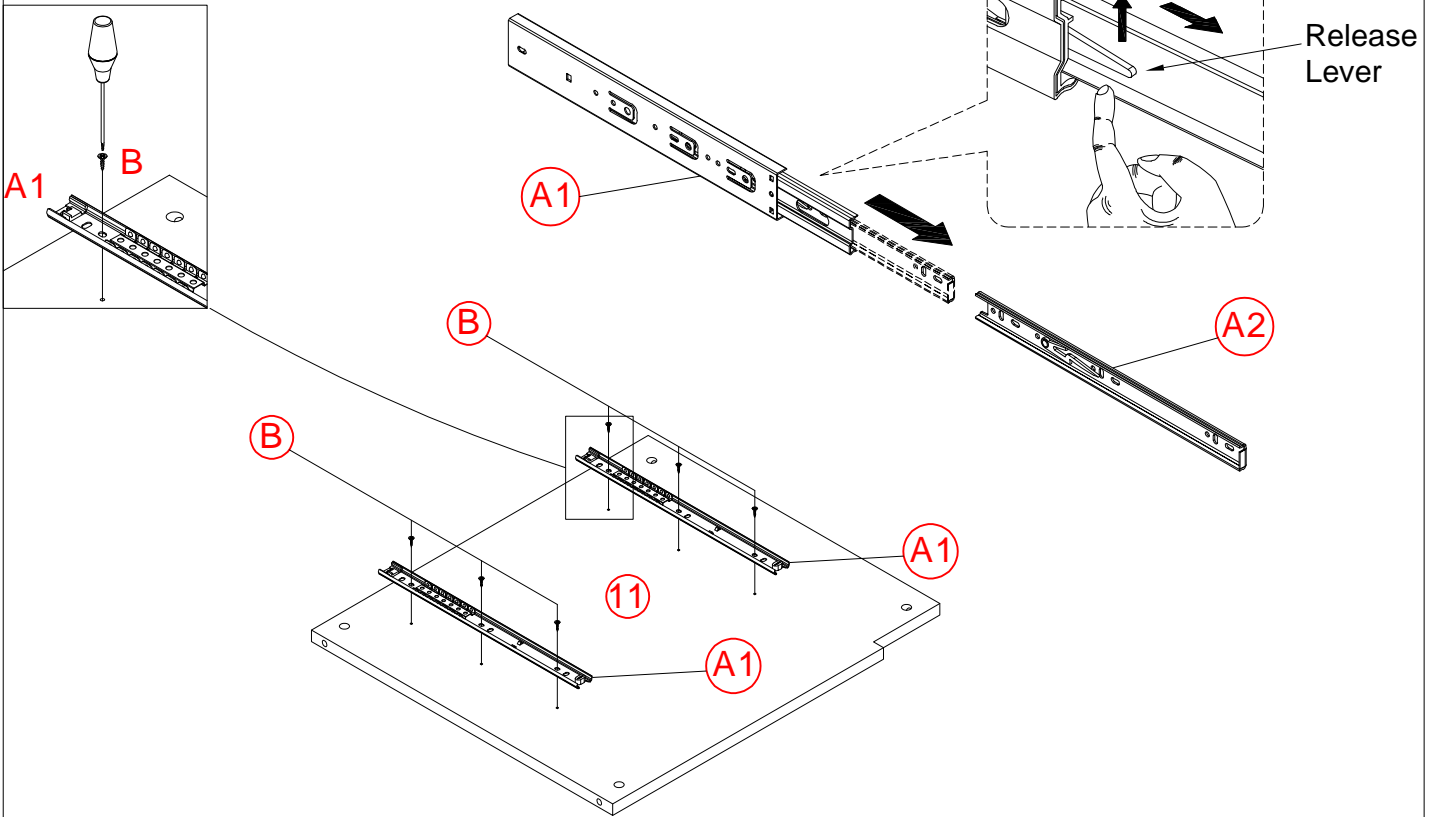
HARDWARE LIST

Ⓐ	A1 : D300MM 	4SET	Ⓛ	Ø30MM 	6PCS
	A2 : D300MM 				
Ⓑ	3.5*10MM 	30PCS	Ⓜ	M4*20MM 	6PCS
Ⓒ	Ø5*35MM 	31PCS	Ⓝ	L45MM 	3PCS
Ⓓ	Ø 8 * 30MM 	18PCS	Ⓞ	L15MM 	6PCS
Ⓔ	4*25MM 	10PCS	Ⓟ	3.5*12MM 	10PCS
Ⓕ	M6*30MM 	10PCS	Ⓠ	HANDLE 	1PC
Ⓖ	L4*58MM 	1PC	Ⓡ	M4*50MM 	8PCS
Ⓗ	M6*45MM 	8PCS	Ⓢ	HINGES 	4PCS
Ⓘ	Ø 15 	31 PCS	Ⓣ	Ø 10*10MM 	8PCS
Ⓙ	L45MM 	3PCS	Ⓡ	     	2SET
Ⓚ	3.5*15MM 	30PCS			

ASSEMBLY TOOLS REQUIRED (NOT INCLUDED)

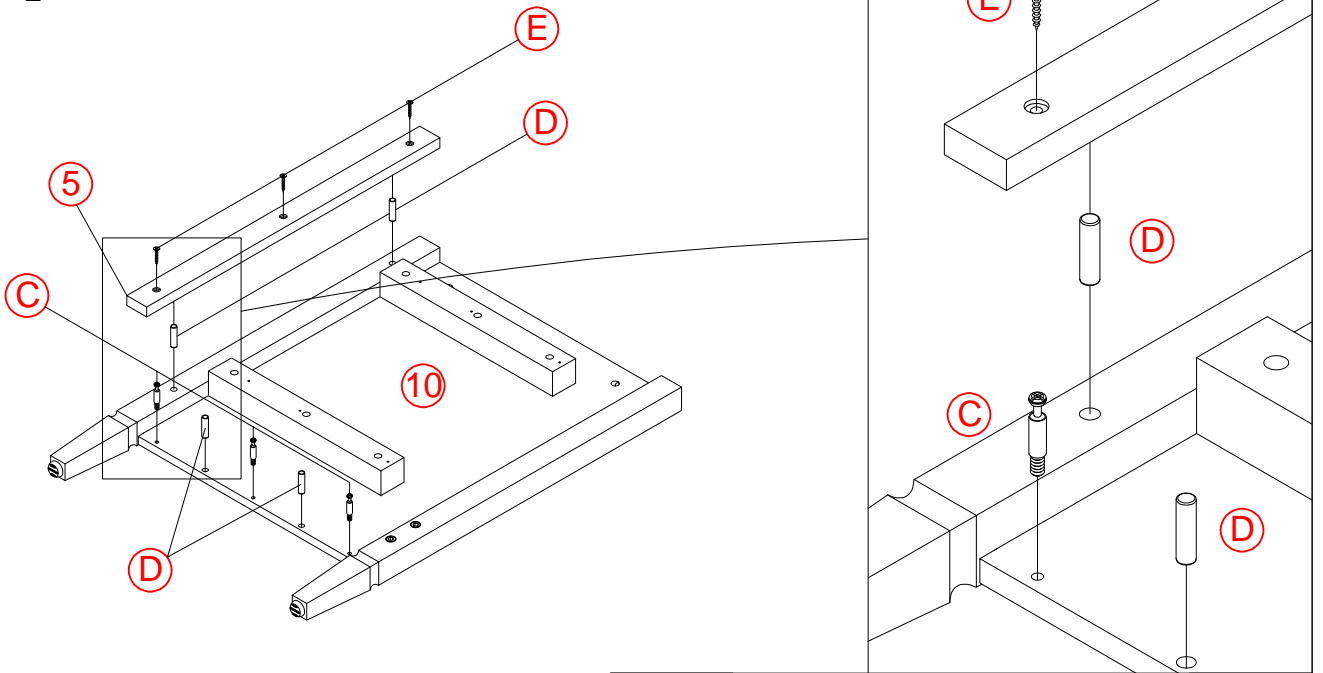




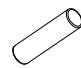
STEP 1



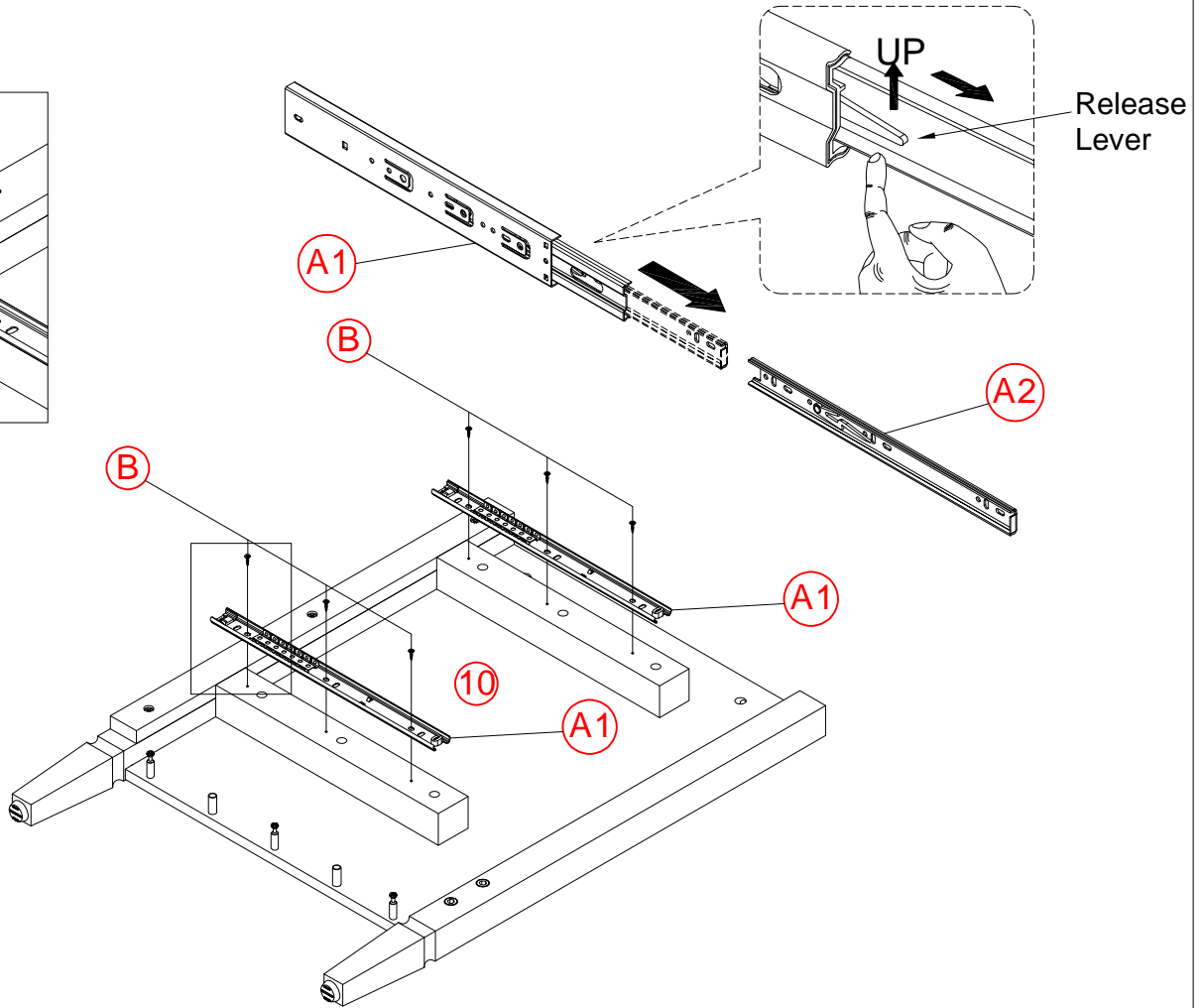
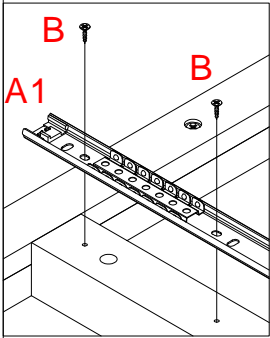
<p>(A)</p>	<p>L45*300MM</p> 	<p>2PCS</p>	<p>(B)</p>	<p>3.5*10MM</p> 	<p>6PCS</p>
------------	--	-------------	------------	---	-------------

STEP 2



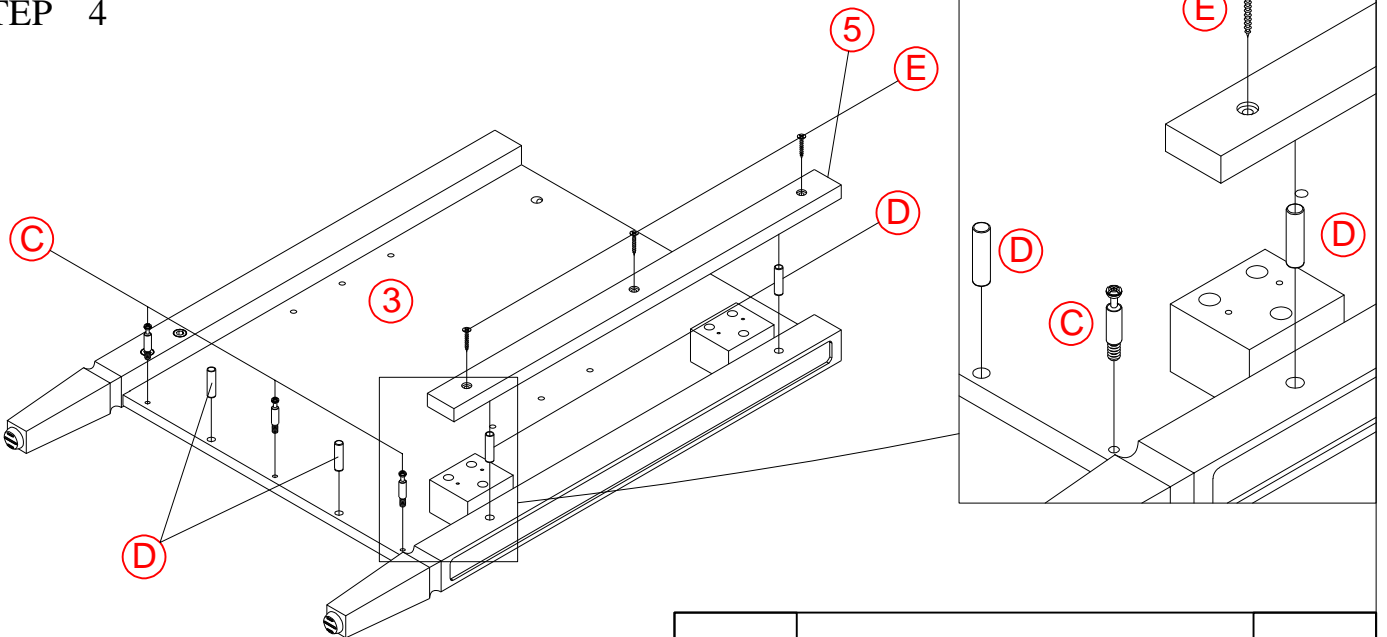
			<p>(E)</p>	<p>4*25MM</p> 	<p>3PCS</p>
<p>(C)</p>	<p>Ø5*35MM</p> 	<p>3PCS</p>	<p>(D)</p>	<p>Ø 8 * 30MM</p> 	<p>4PCS</p>

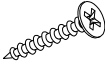
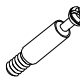
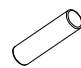
STEP 3



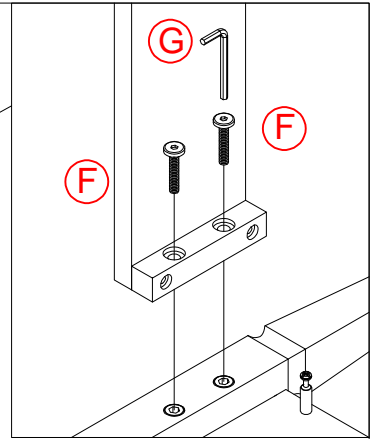
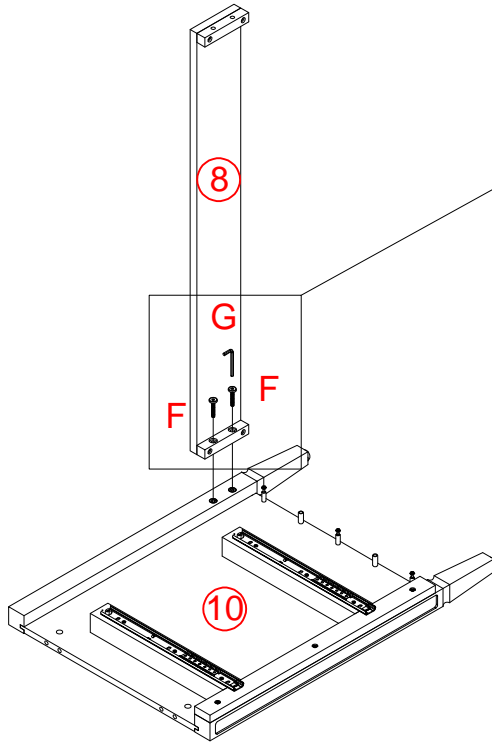
<p>(A)</p>	<p>L45*300MM</p> 	<p>2PCS</p>	<p>(B)</p>	<p>3.5*10MM</p> 	<p>6PCS</p>
------------	--	-------------	------------	---	-------------

STEP 4



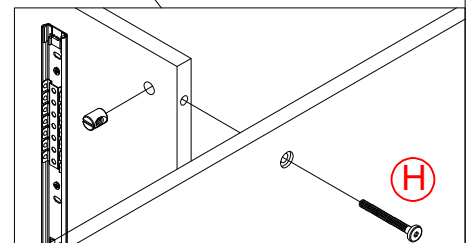
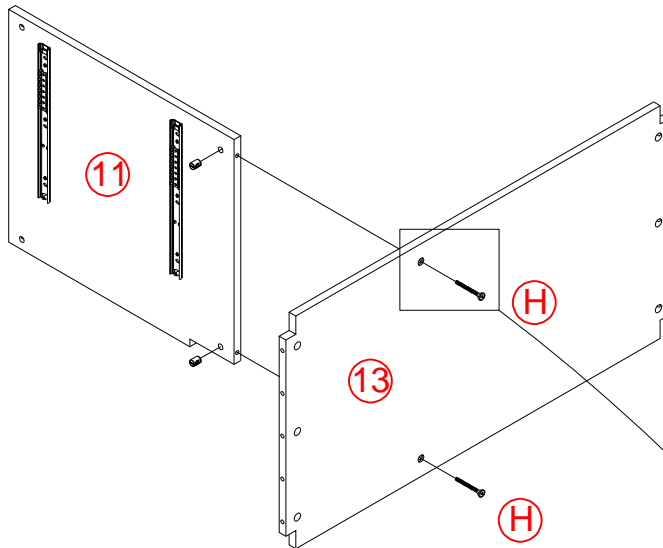
			<p>(E)</p>	<p>4*25MM</p> 	<p>3PCS</p>
<p>(C)</p>	<p>Ø5*35MM</p> 	<p>3PCS</p>	<p>(D)</p>	<p>Ø 8 * 30MM</p> 	<p>4PCS</p>

STEP 5



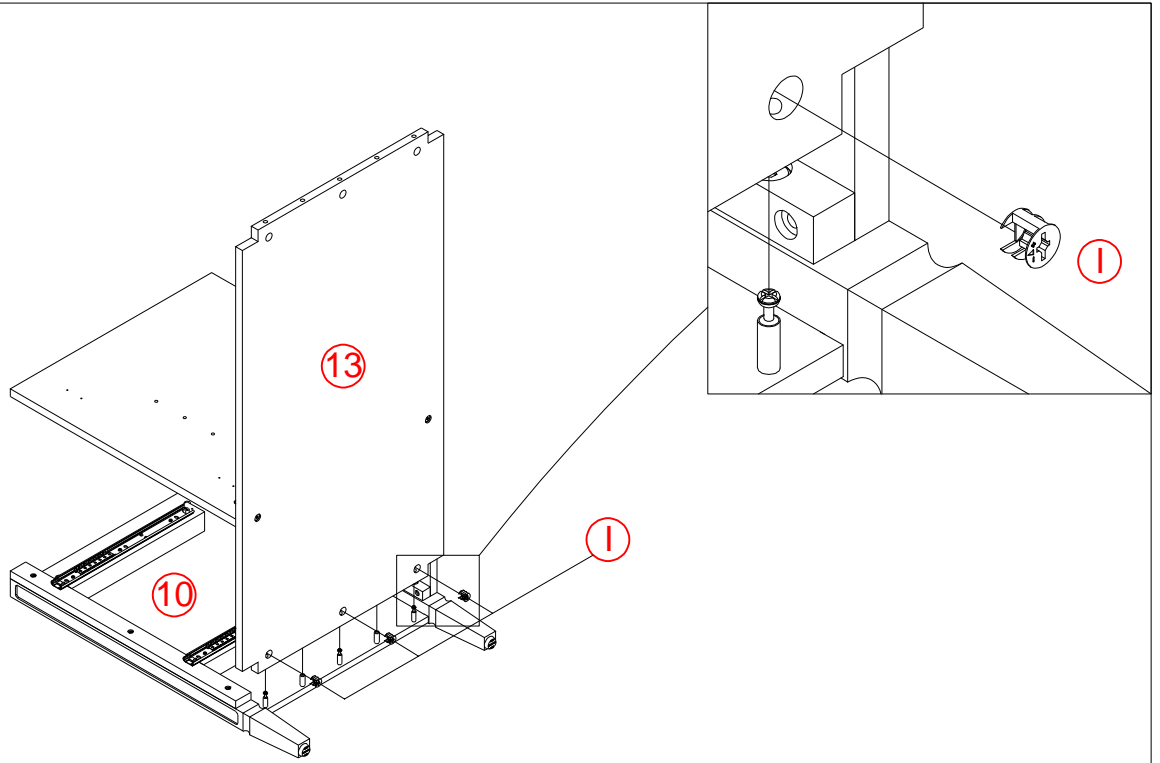
	M6*30MM		2PCS		1PC
---	---------	---	------	---	-----


STEP 6



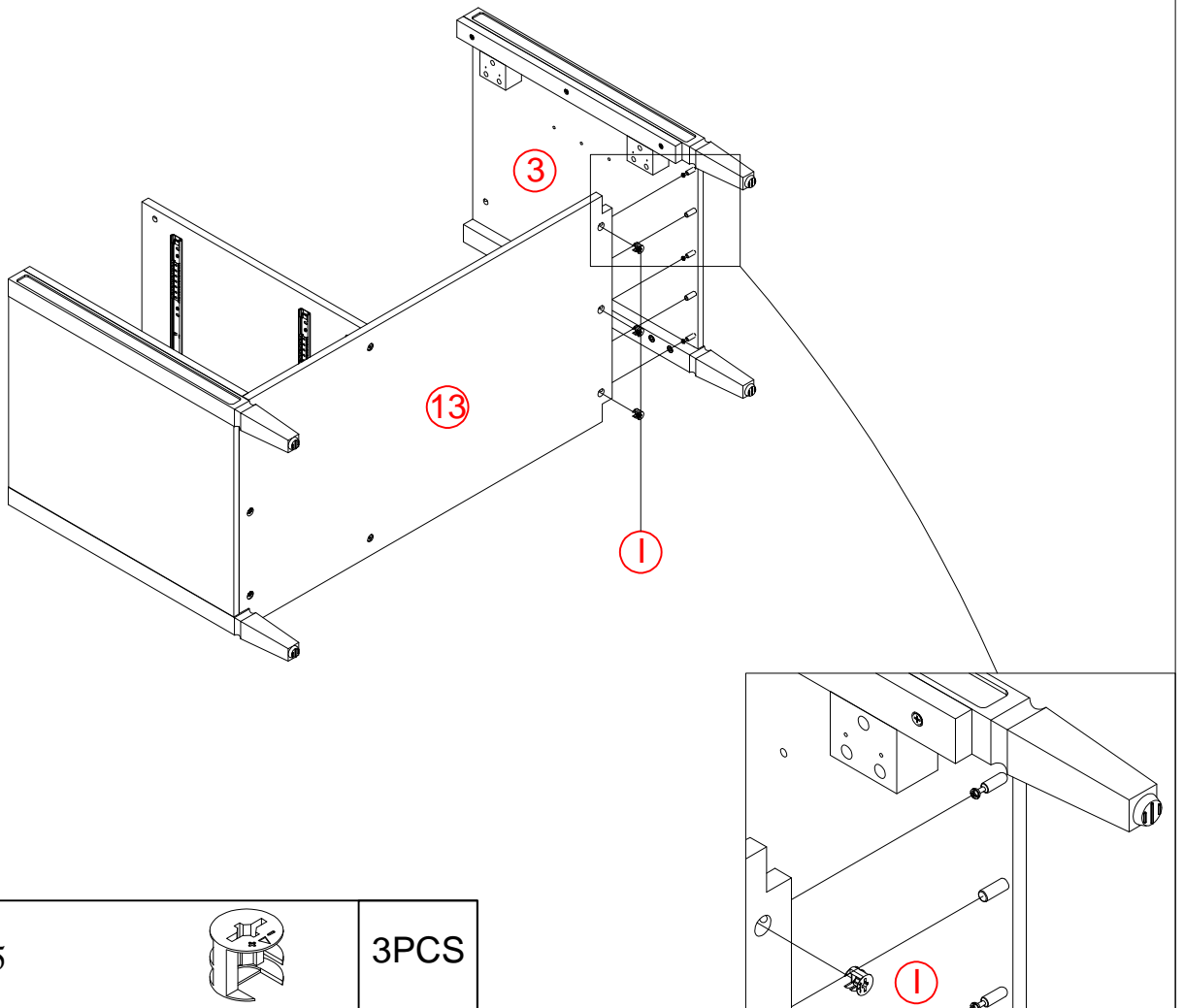
	M6*45MM		2PCS
---	---------	---	------


STEP 7



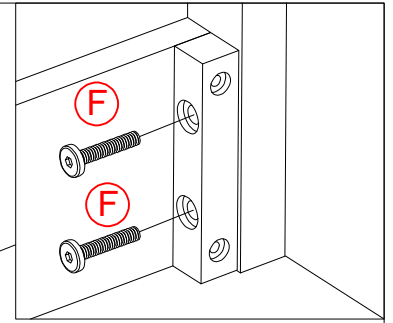
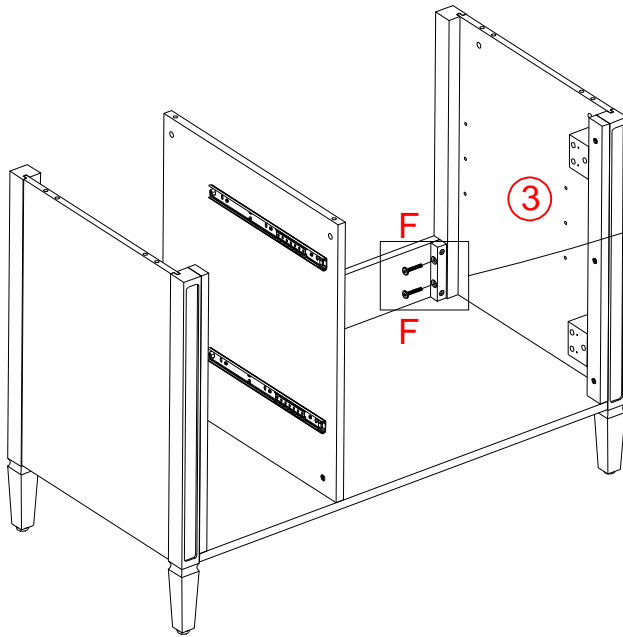
①	Ø 15		3PCS
---	------	--	------

STEP 8



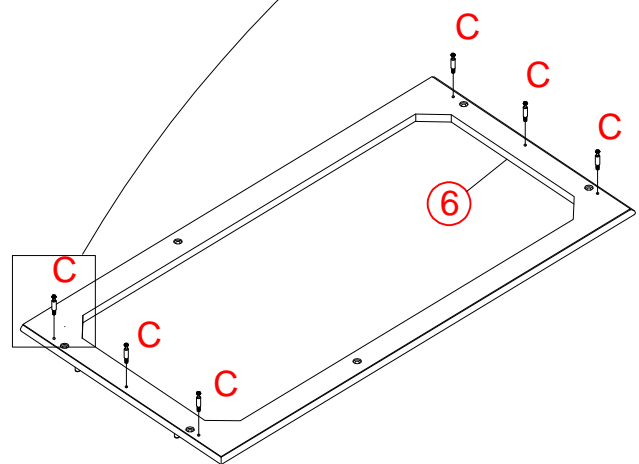
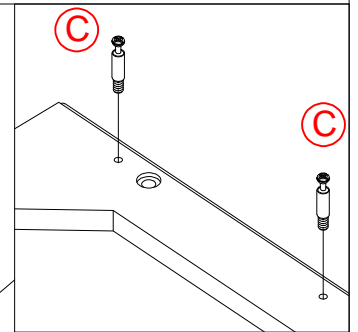
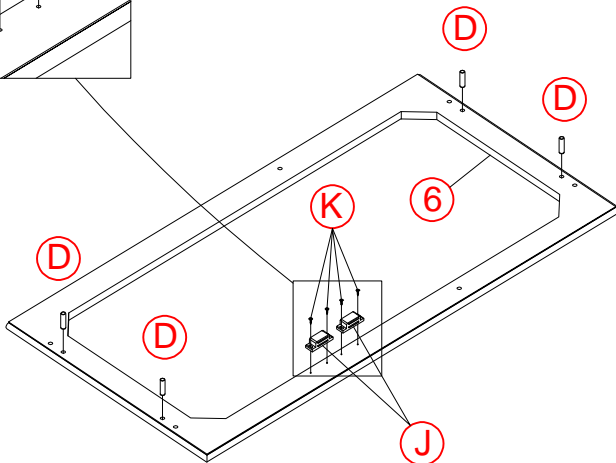
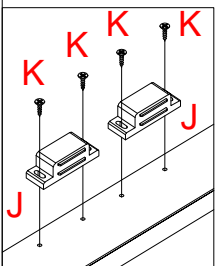
①	Ø 15		3PCS
---	------	---	------

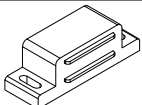
STEP 9



F	M6*30MM		2PCS
---	---------	---	------

STEP 10



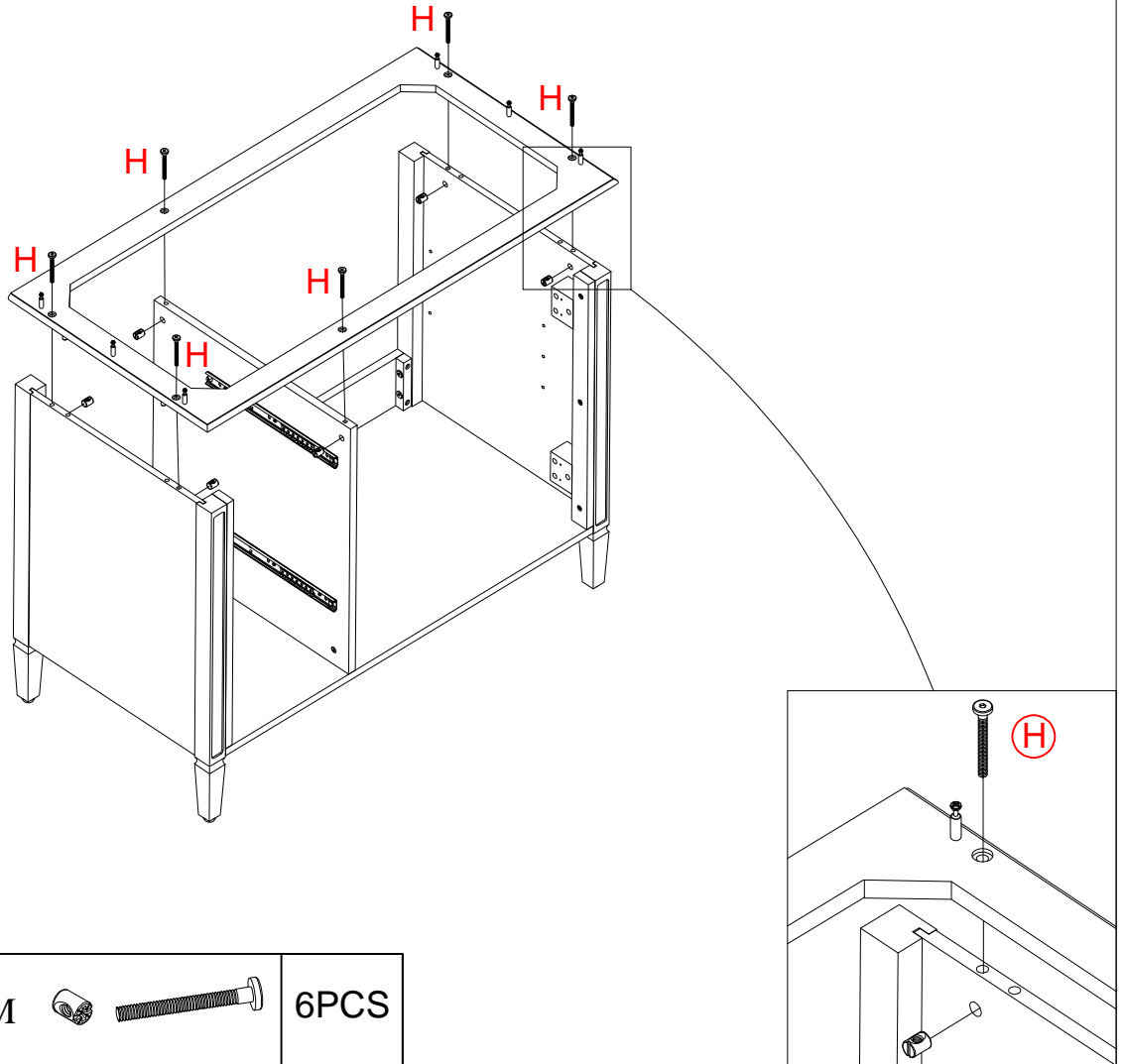
J	L45MM		2PCS
---	-------	---	------

C	Ø5*35MM		6PCS
---	---------	---	------

K	3.5*15MM		4PCS
---	----------	---	------

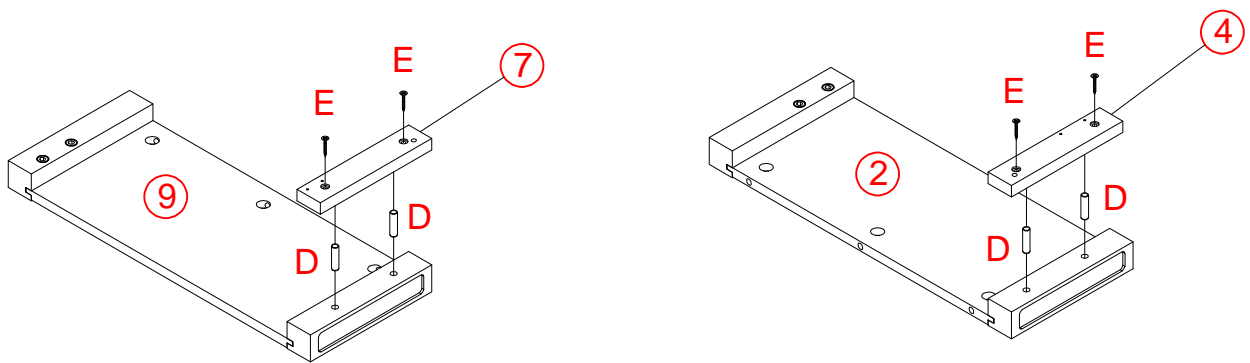
D	Ø 8 * 30MM		4PCS
---	------------	---	------

STEP 11



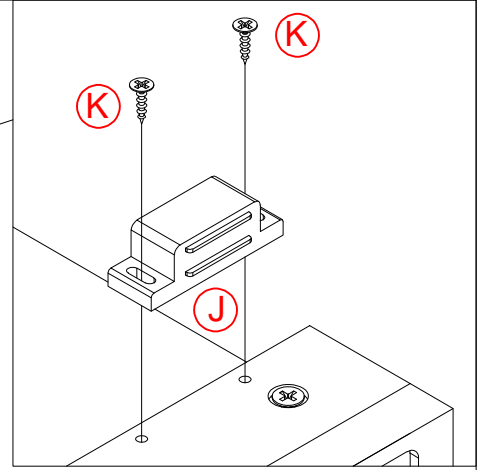
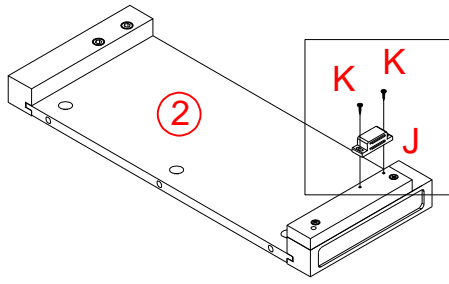
	M6*45MM		6PCS
---	---------	---	------


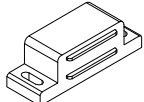


STEP 12



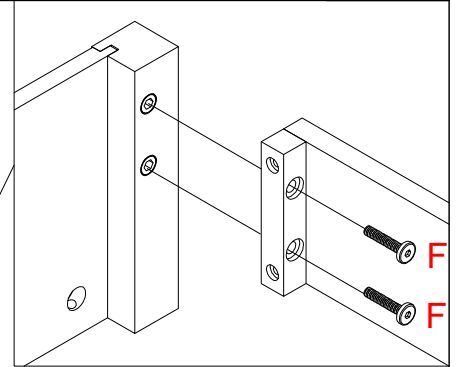
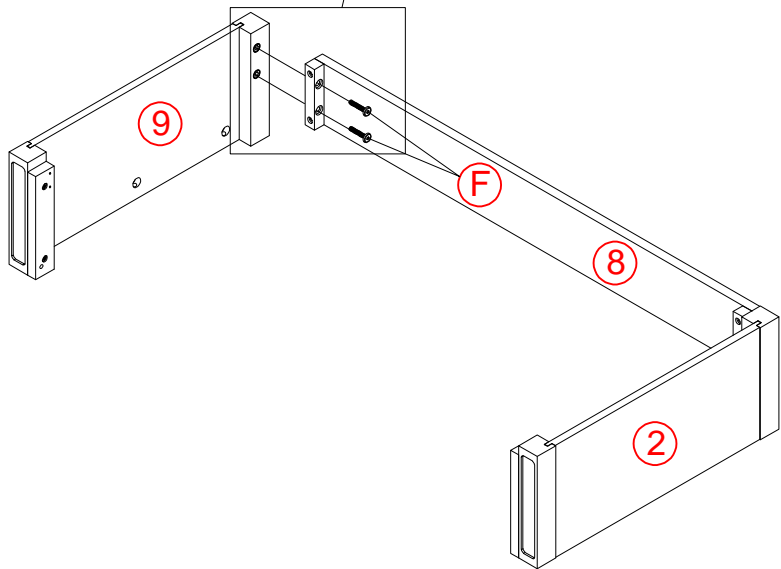
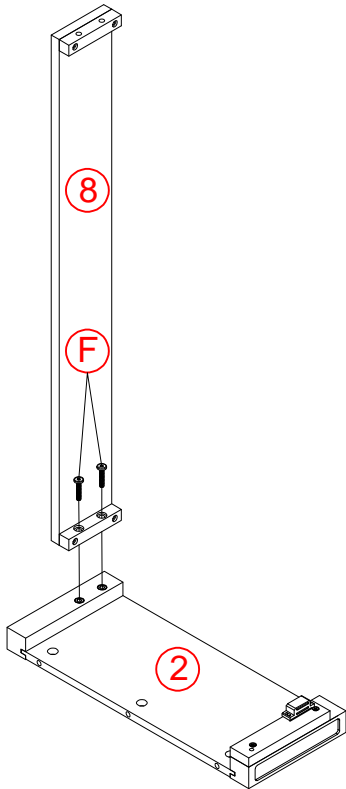
	4*25MM		4PCS		Ø 8 * 30MM		4PCS
---	--------	---	------	---	------------	---	------

STEP 13



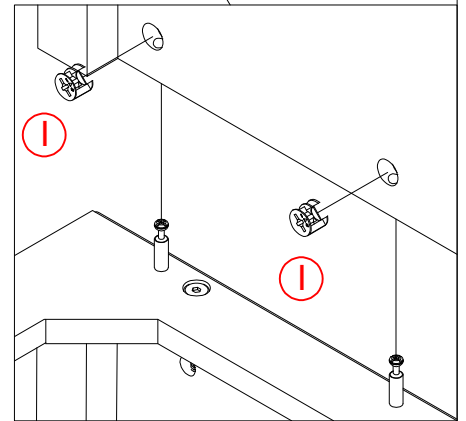
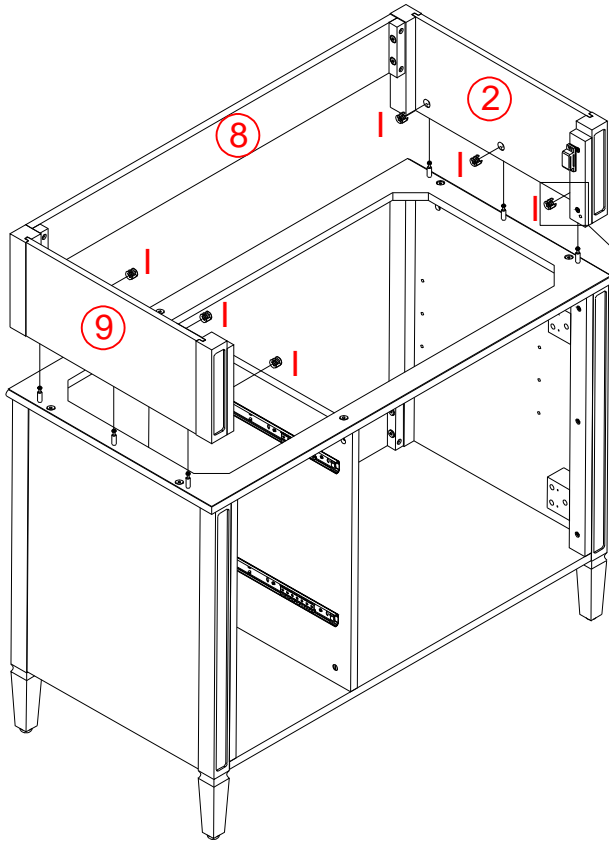
	<p>L45MM</p> 	<p>1PC</p>		<p>3.5*15MM</p> 	<p>2PCS</p>
---	--	------------	---	---	-------------


STEP 14



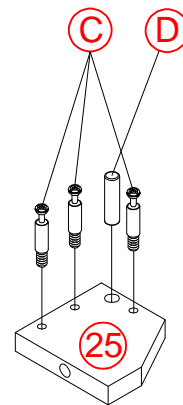
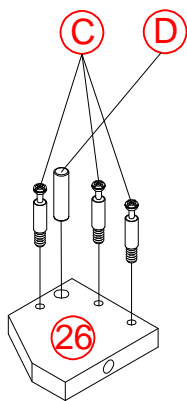
	<p>M6*30MM</p> 	<p>4PCS</p>
---	--	-------------

STEP 15



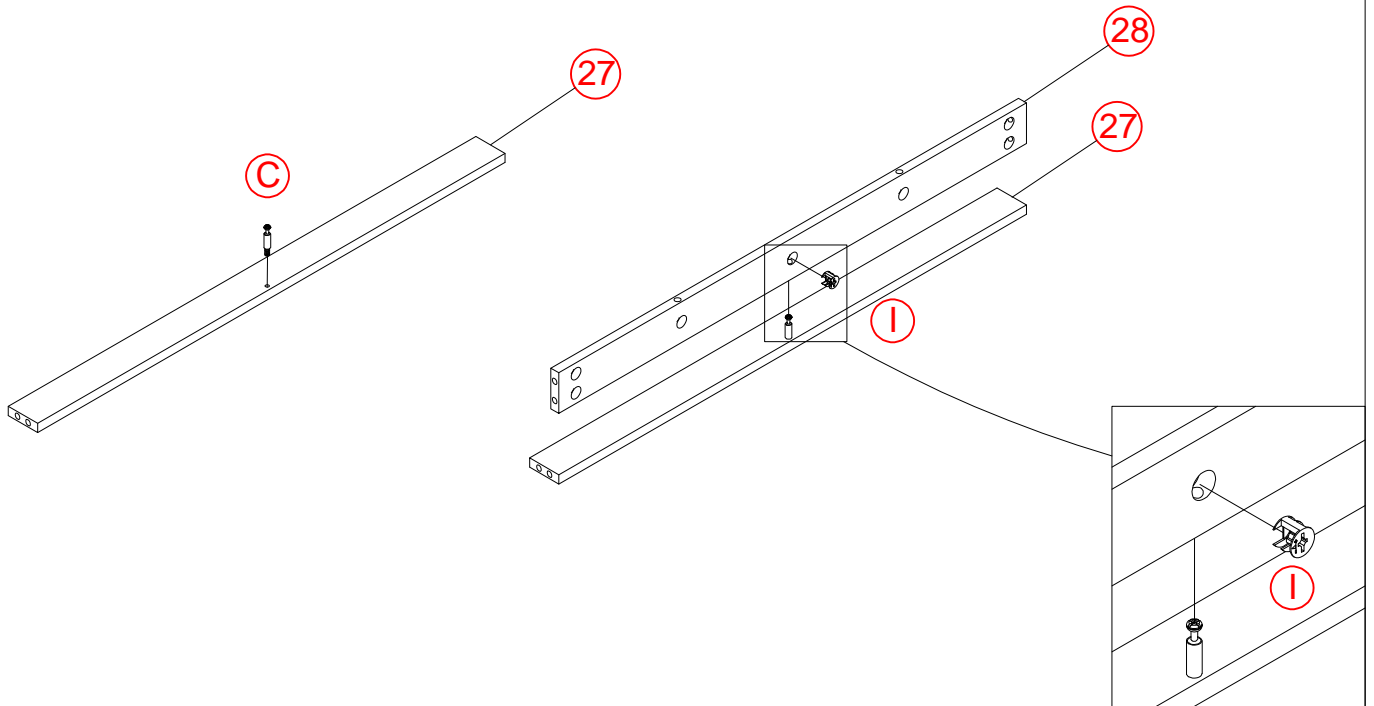
	Ø 15		6PCS
---	------	---	------



STEP 16



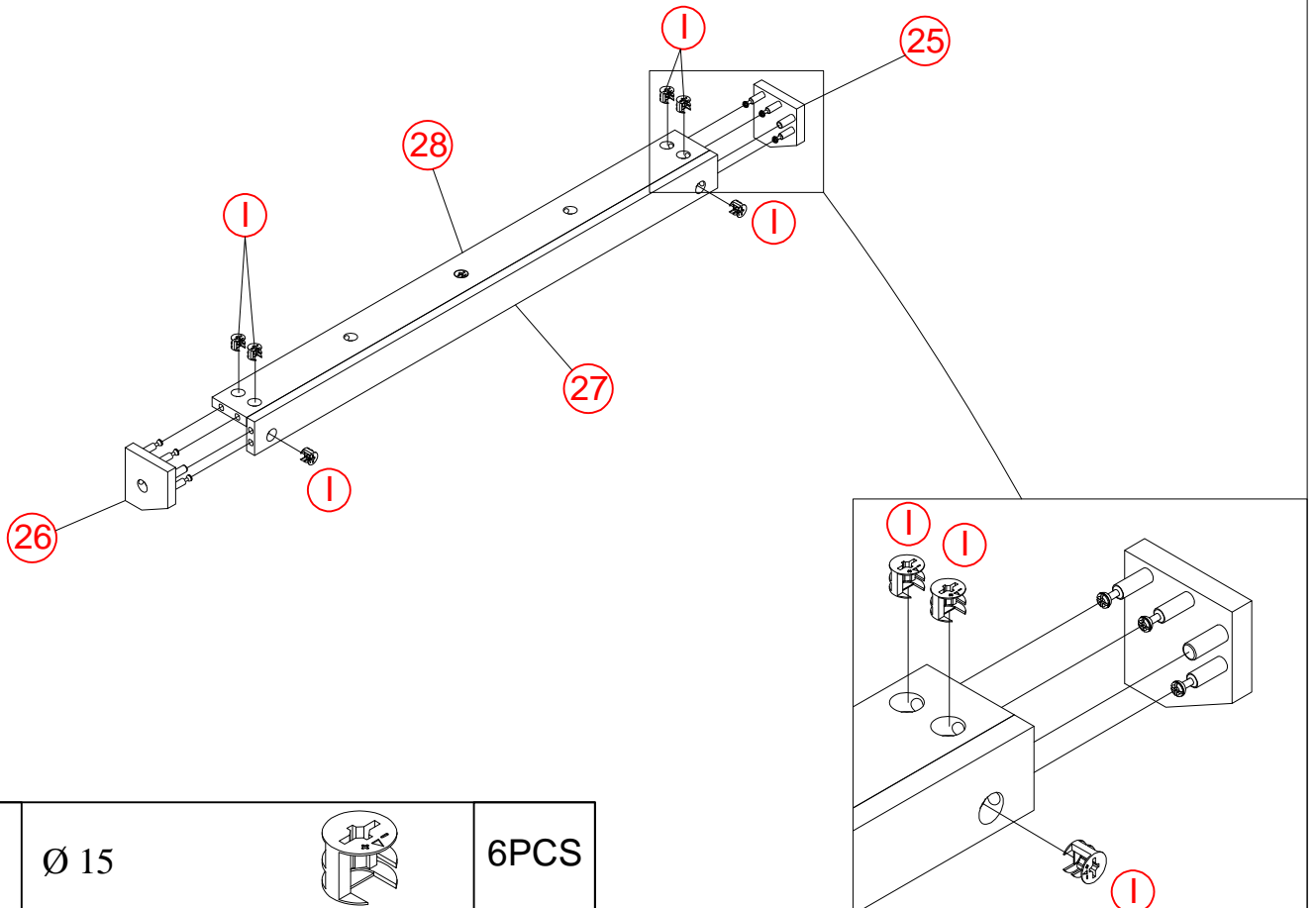
	Ø5*35MM		6PCS		Ø 8 * 30MM		2PCS
---	---------	---	------	---	------------	---	------


STEP 17



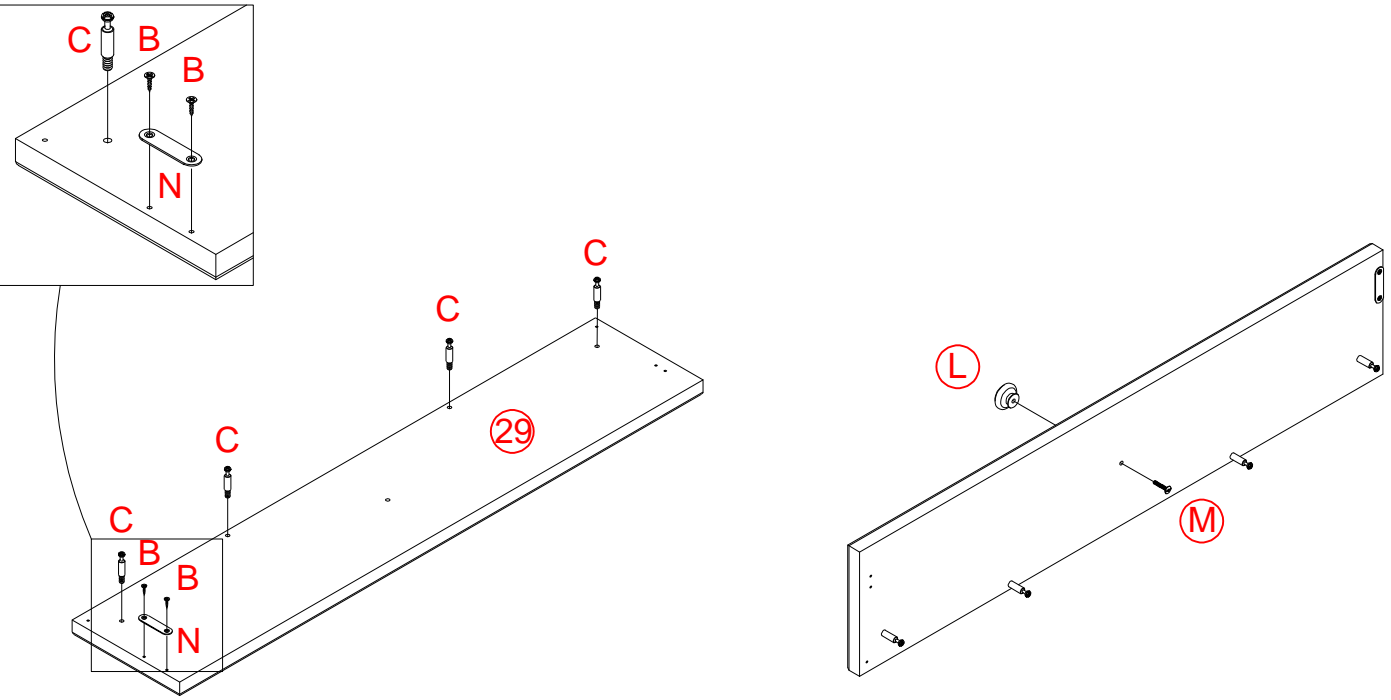
<p>ⓐ</p>	<p>Ø5*35MM</p>	 <p>1PC</p>	<p>ⓐ</p>	<p>Ø 15</p>	 <p>1PC</p>
----------	----------------	--	----------	-------------	---

STEP 18



<p>ⓐ</p>	<p>Ø 15</p>	 <p>6PCS</p>
----------	-------------	---

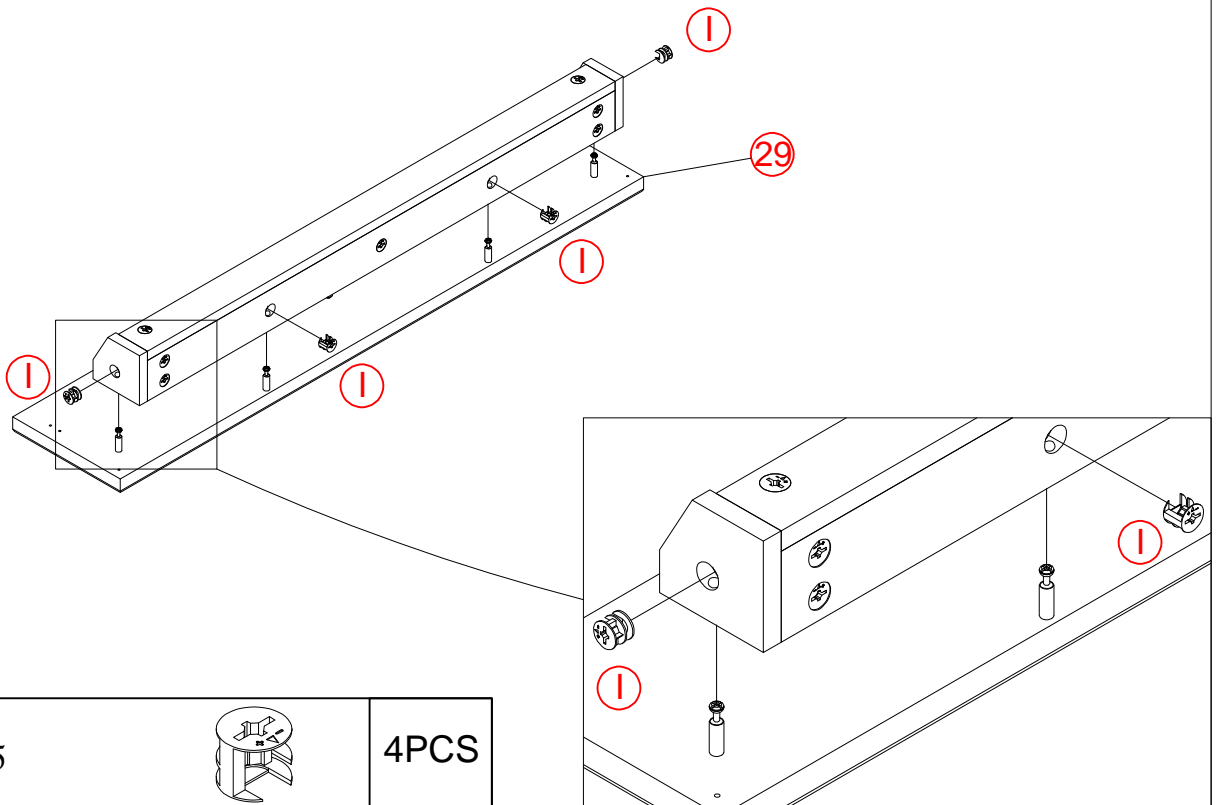
STEP 19



(N)	L45MM		1PC
(B)	3.5*10MM		2PCS
(M)	M4*20MM		1PC

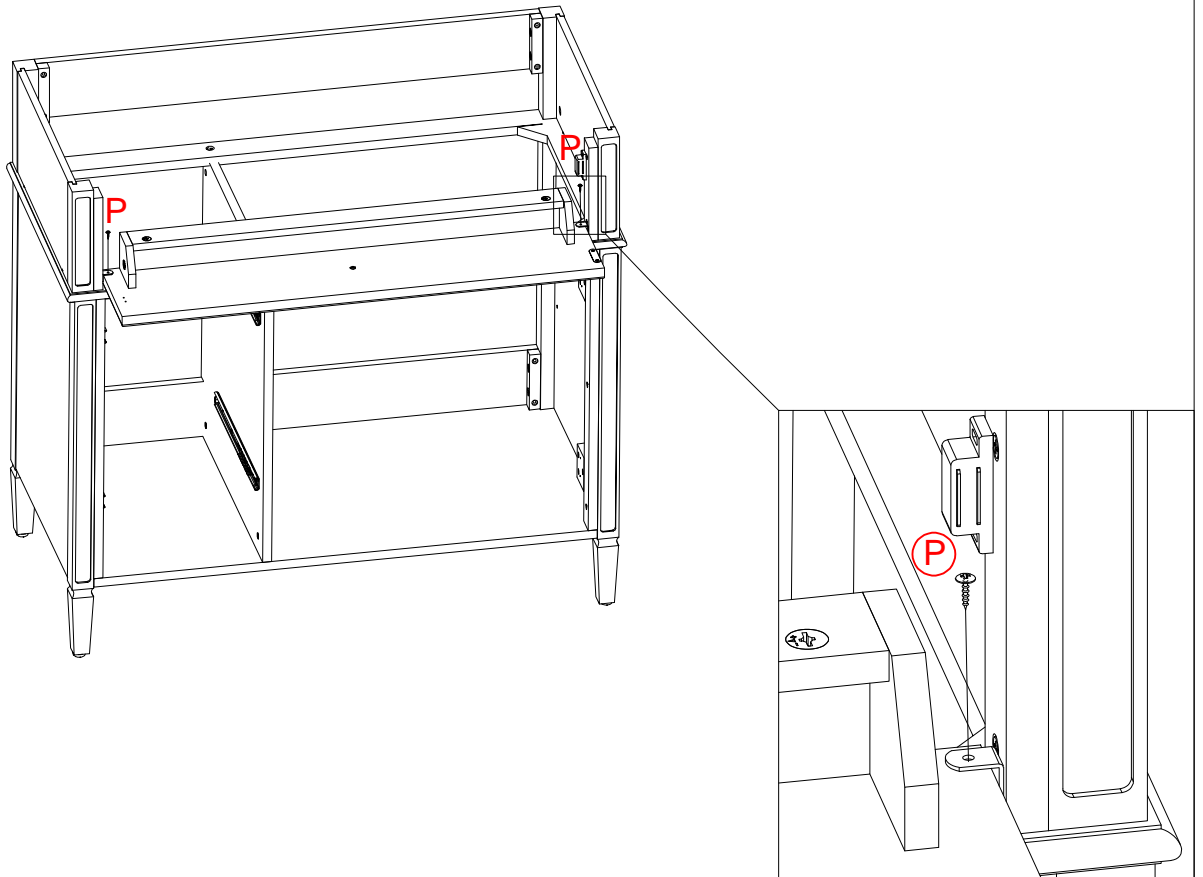
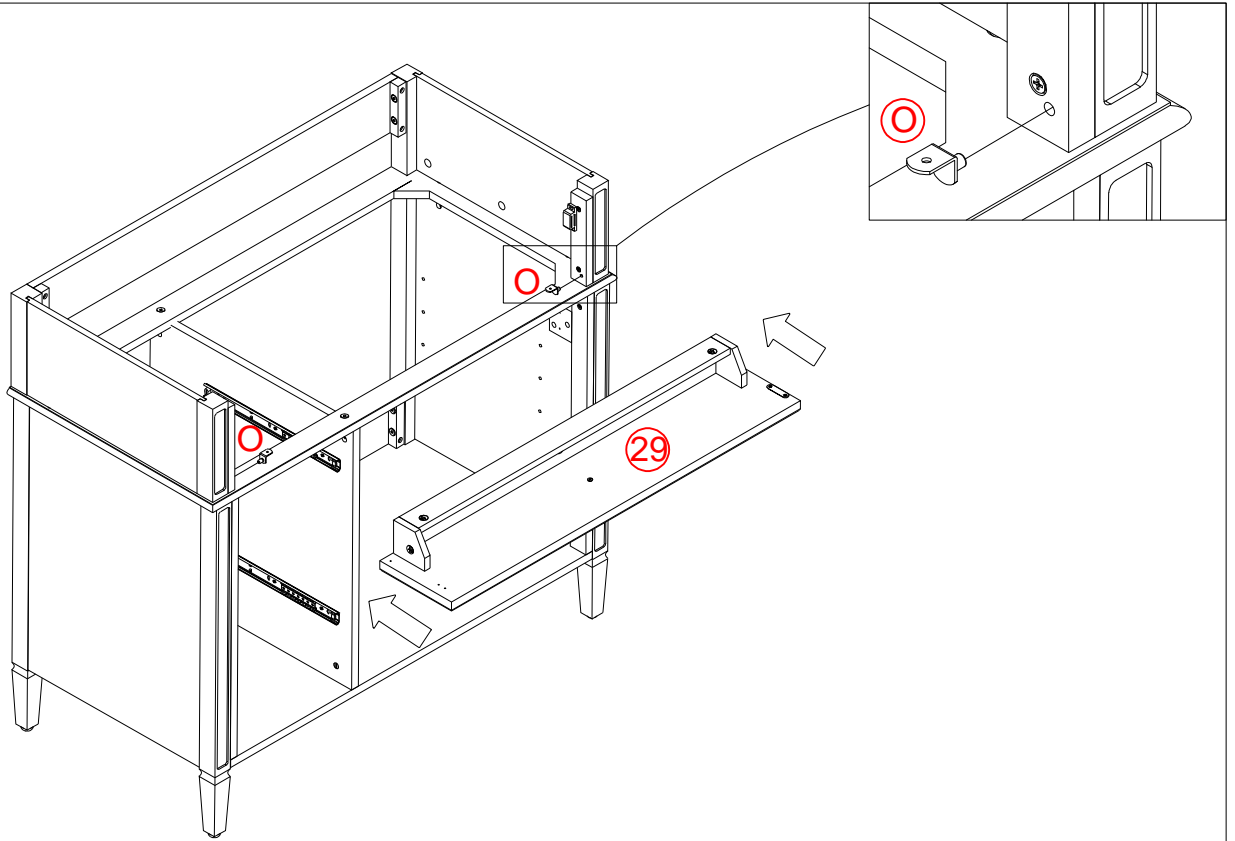
(C)	Ø5*35MM		4PCS
(L)	Ø30MM		1PC

STEP 20



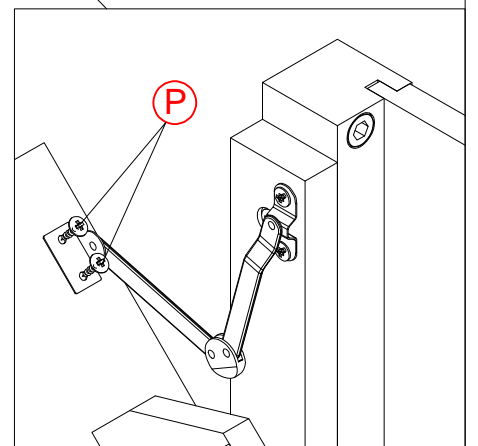
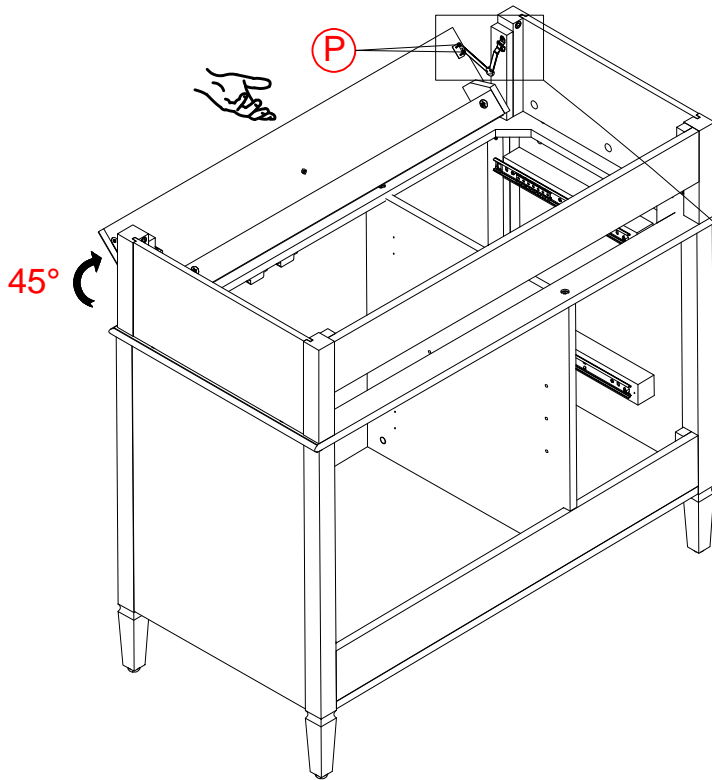
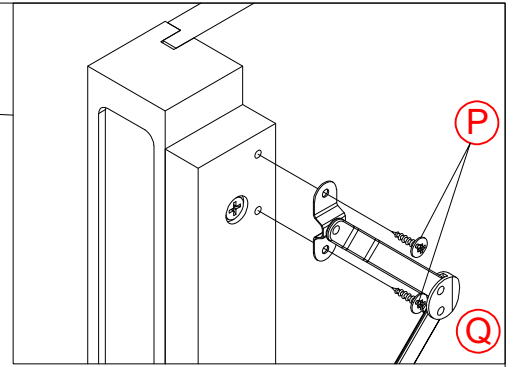
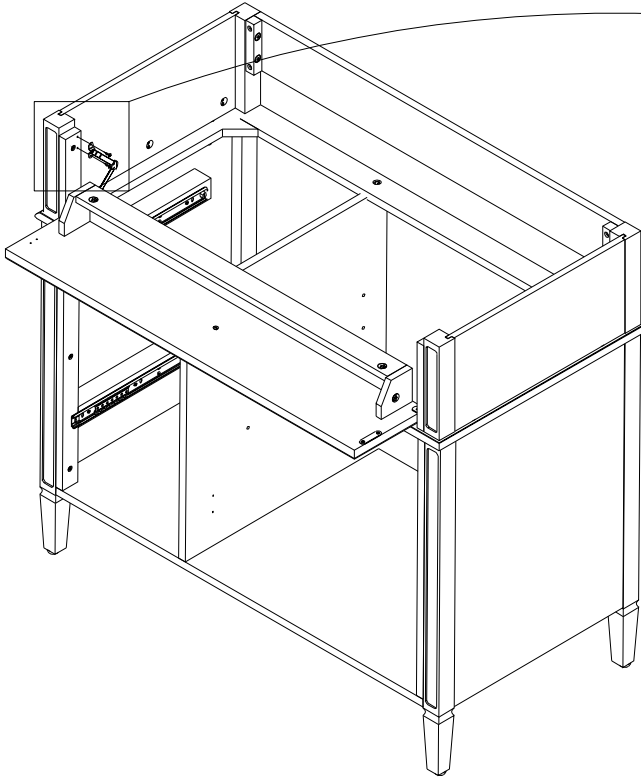
(I)	Ø 15		4PCS
-----	------	--	------

STEP 21



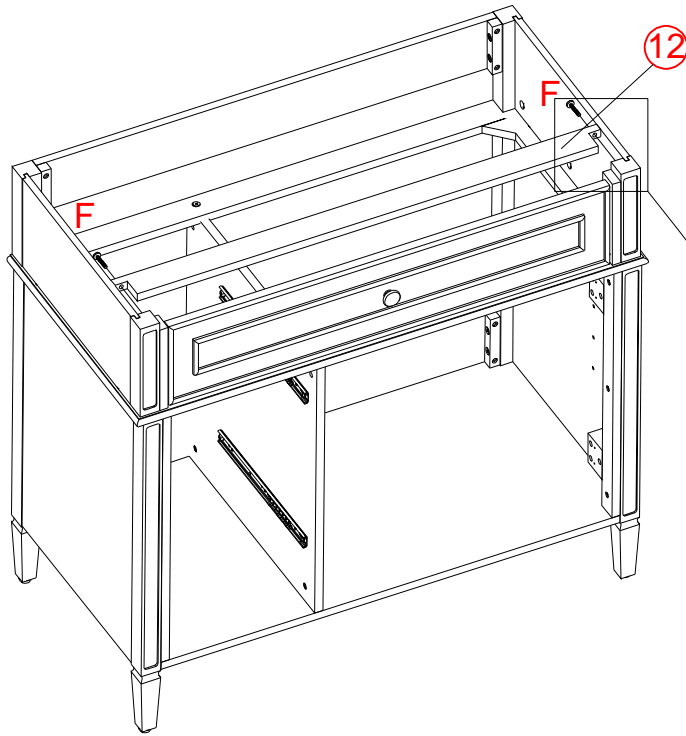
<p>(P)</p>	<p>3.5*12MM</p>	 <p>2PCS</p>	<p>(O)</p>	<p>L15MM</p>	 <p>2PCS</p>
------------	-----------------	---	------------	--------------	---

STEP 22



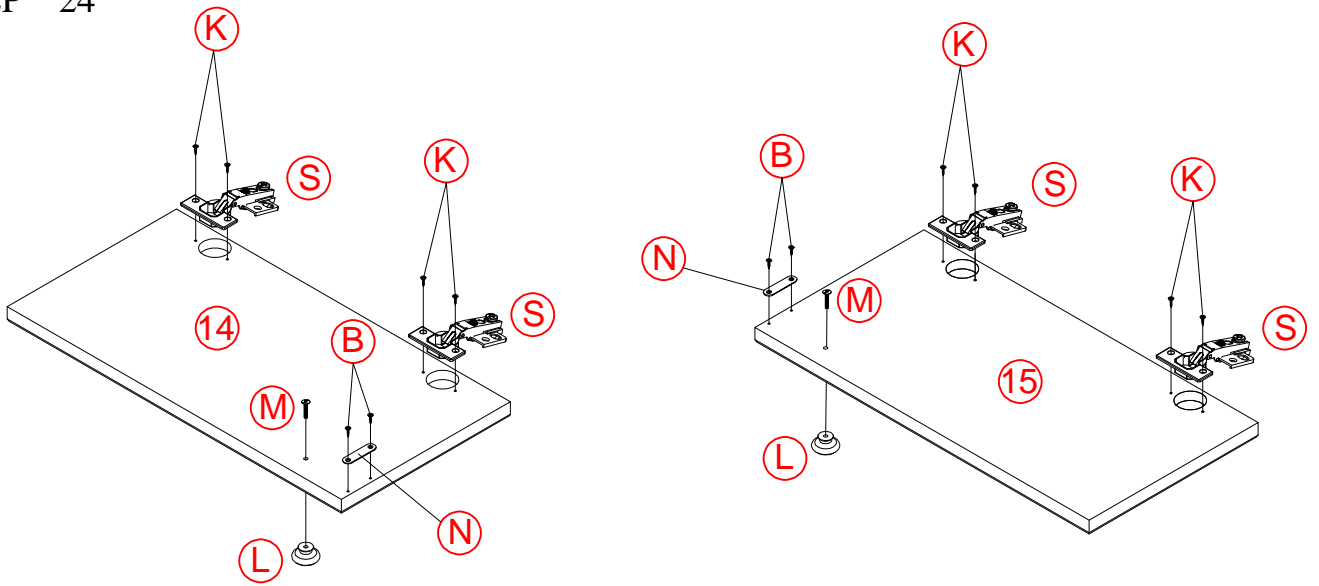
	<p>3.5*12MM</p>		<p>4PCS</p>		<p>HANDLE</p>		<p>1PC</p>
---	-----------------	---	-------------	---	---------------	---	------------

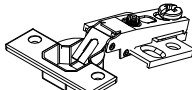



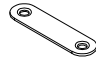

STEP 23



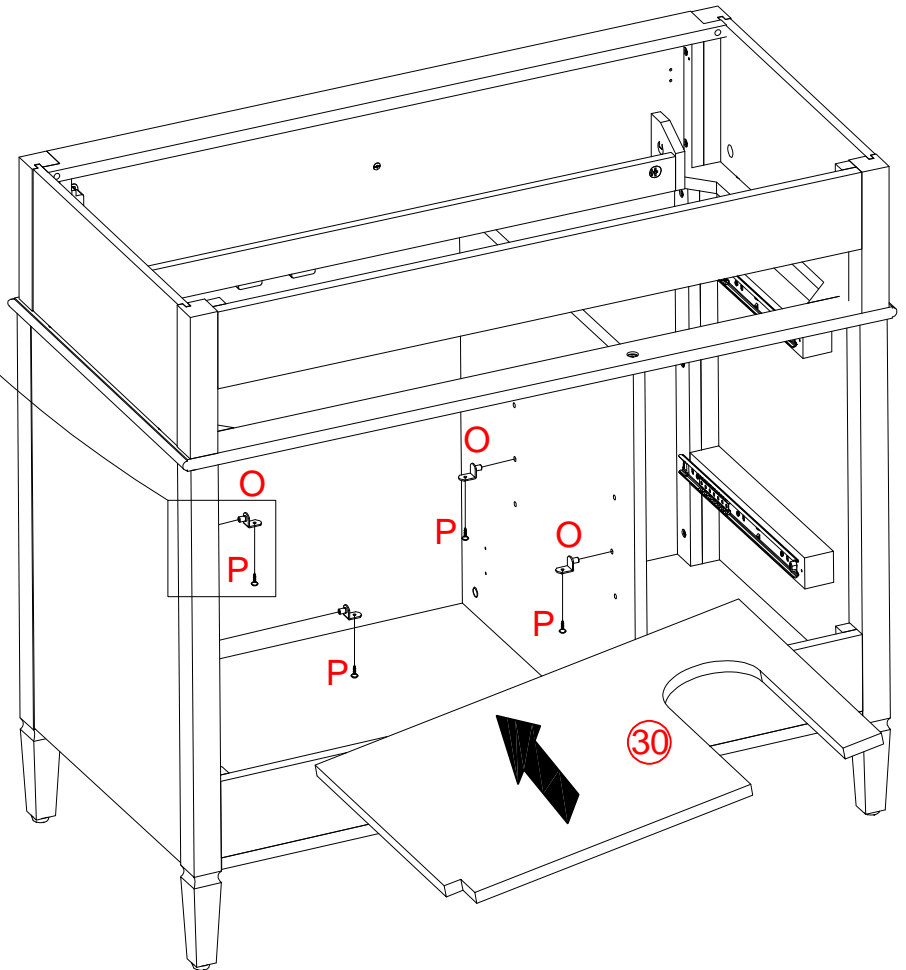
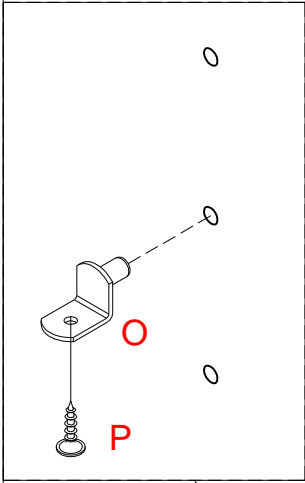
(F)	M6*30MM		2PCS
-----	---------	--	------

STEP 24



(S)	HINGES		4PCS	(K)	3.5*15MM		8PCS
(L)	Ø30MM		2PCS	(M)	M4*20MM		2PCS
(N)	L45MM		2PCS	(B)	3.5*10MM		4PCS

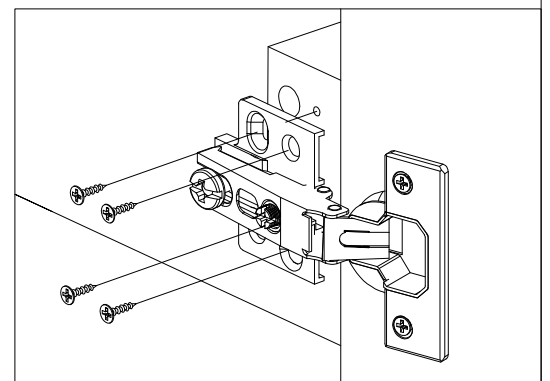
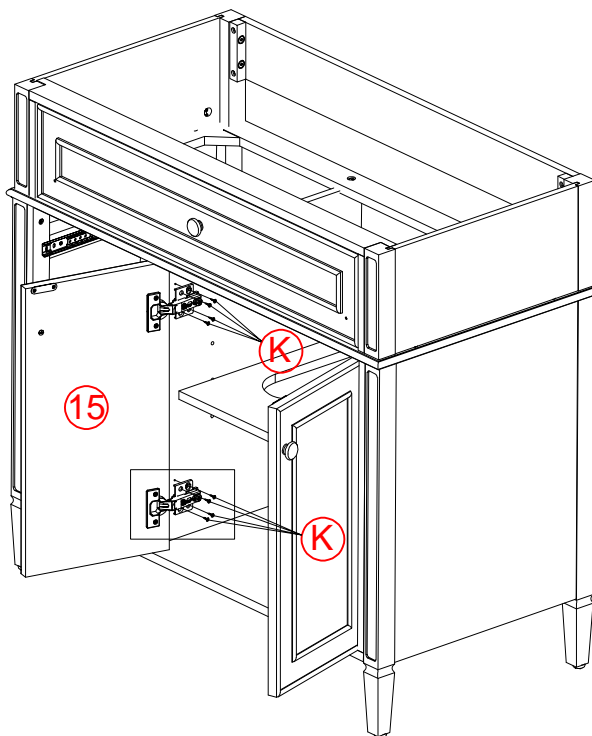
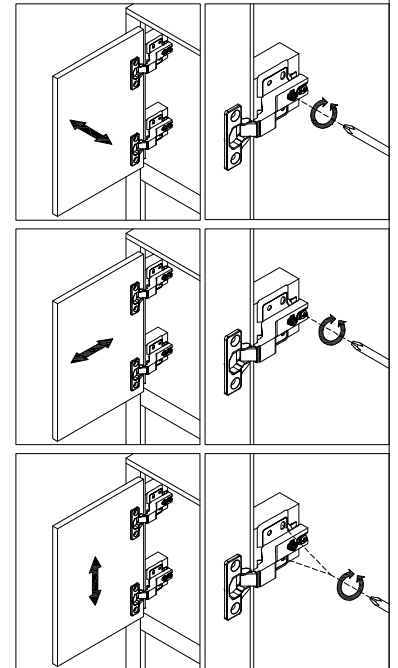
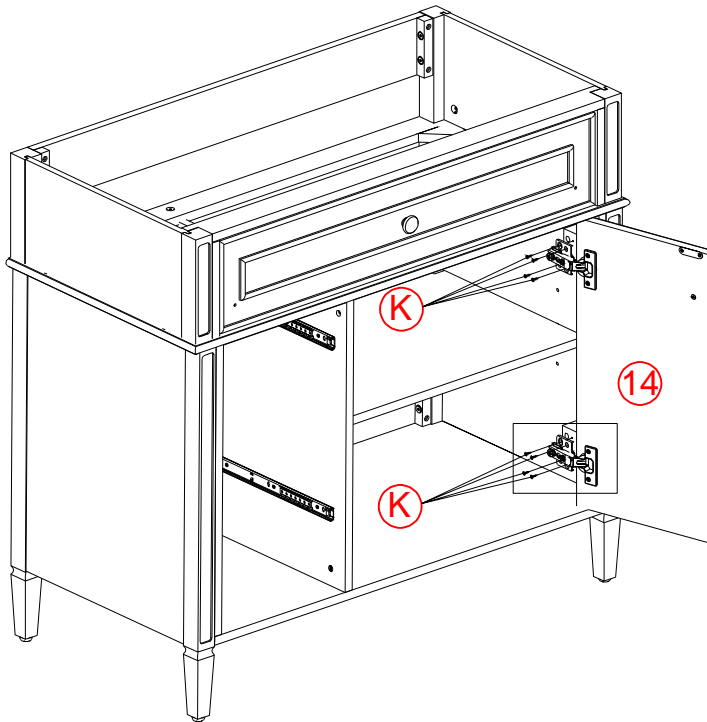
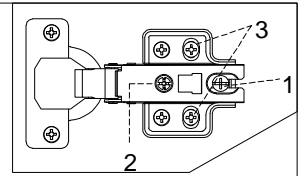
STEP 25



	<p>3.5*12MM</p>		<p>4PCS</p>

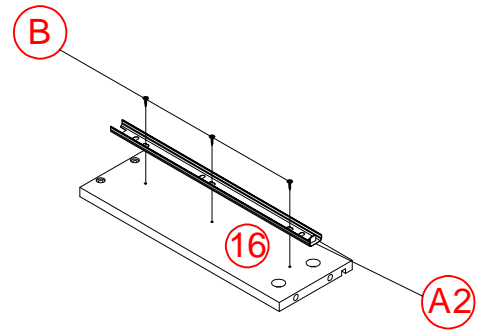
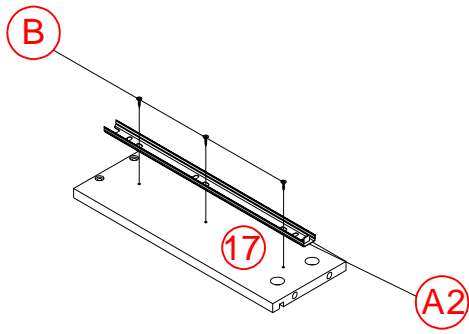
STEP 26

Three-way adjustable hinge for perfectly aligned doors  
 1. TO ADJUST DOOR FORWARD OR BACKWARD.  
 2. TO ADJUST DOOR TO RIGHT OR TO LEFT.  
 3. TO ADJUST DOOR UP OR DOWN.



K	3.5*15MM		16PCS
---	----------	--	-------

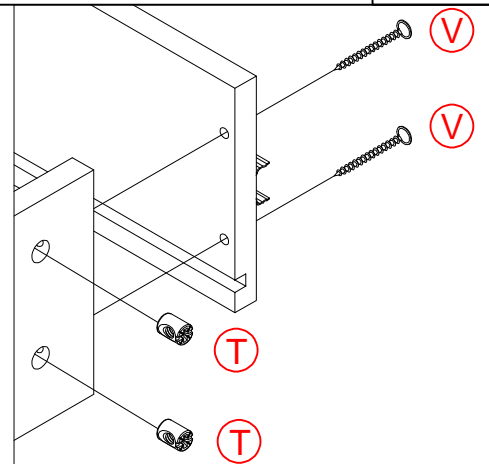
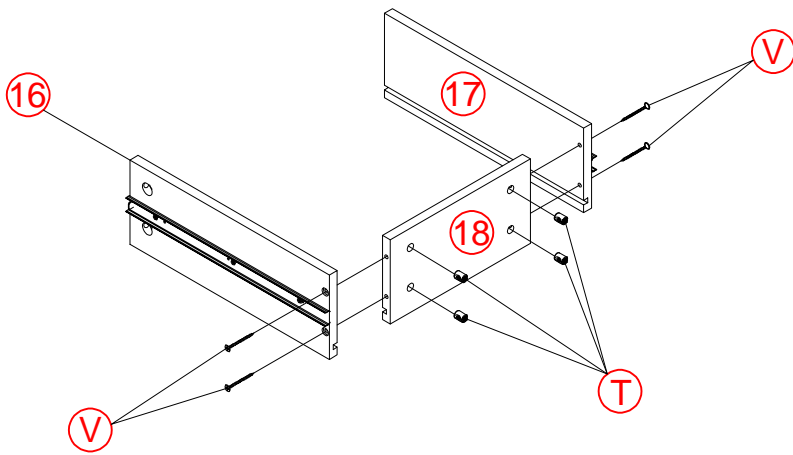
STEP 27



A	L45*300MM		2PCS
---	-----------	--	------

B	3.5*10MM		6PCS
---	----------	--	------

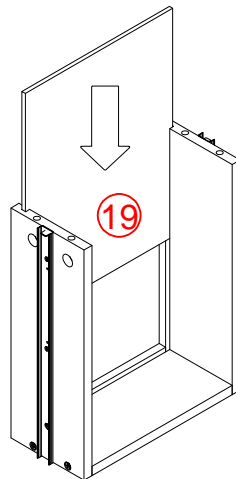
STEP 28



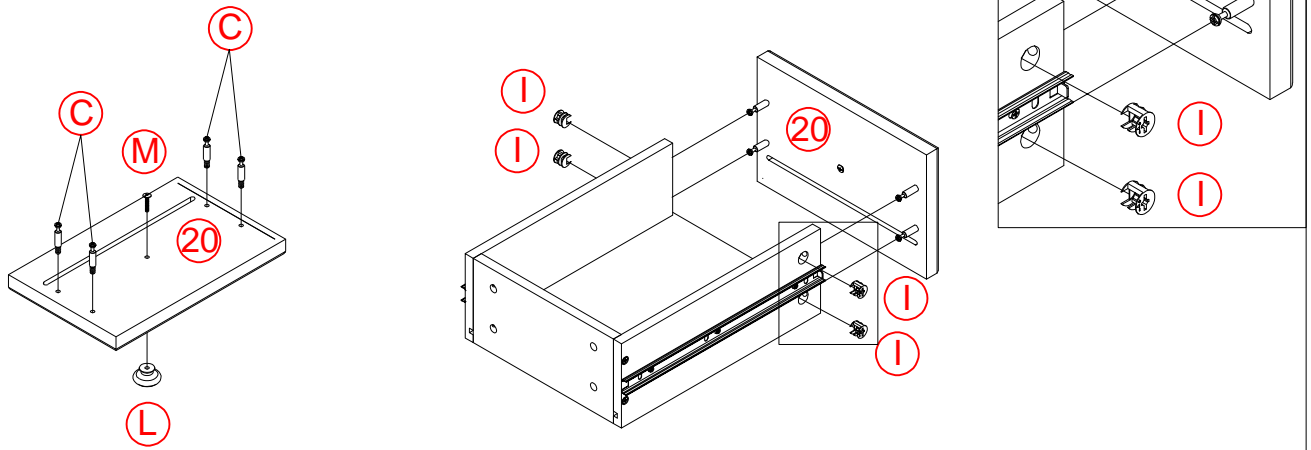
V	M4*50MM		4PCS
---	---------	--	------


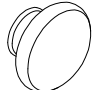
T	Ø 10*10MM		4PCS
---	-----------	--	------

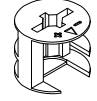

STEP 29



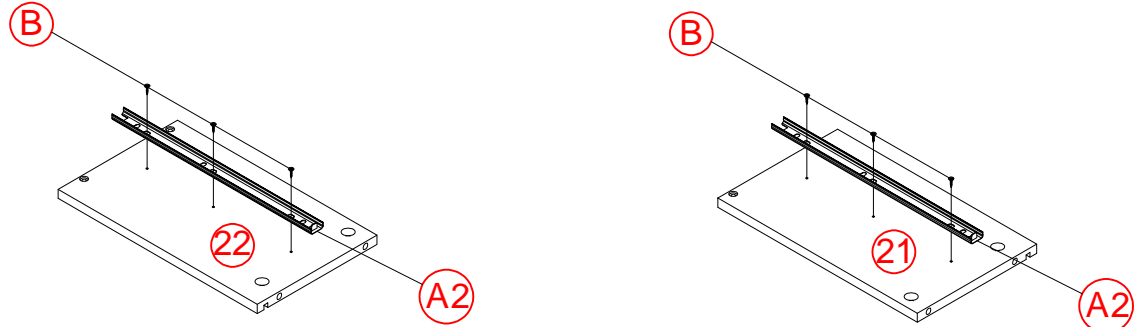
STEP 30




(C)	Ø5*35MM		4PCS
(L)	Ø30MM		1PC

(I)	Ø 15		4PCS
(M)	M4*20MM		1PC

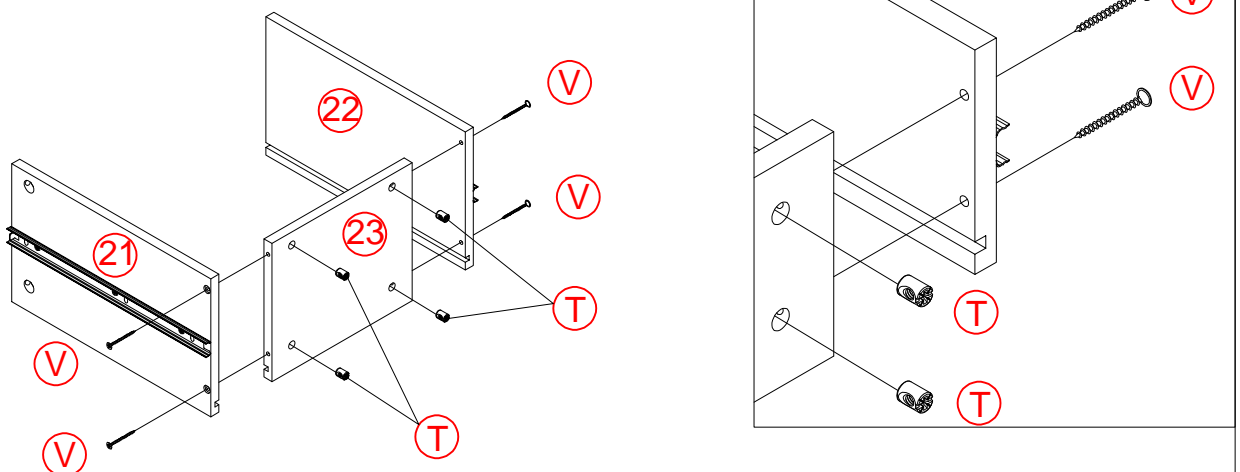
STEP 31



(A)	L45*300MM		2PCS
-----	-----------	---	------

(B)	3.5*10MM		6PCS
-----	----------	---	------

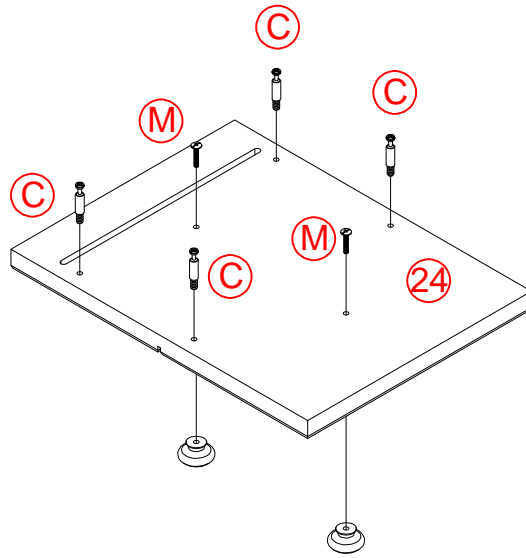
STEP 32







(V)	M4*50MM		4PCS
-----	---------	---	------

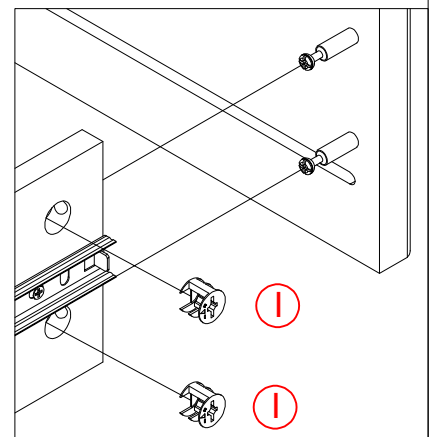
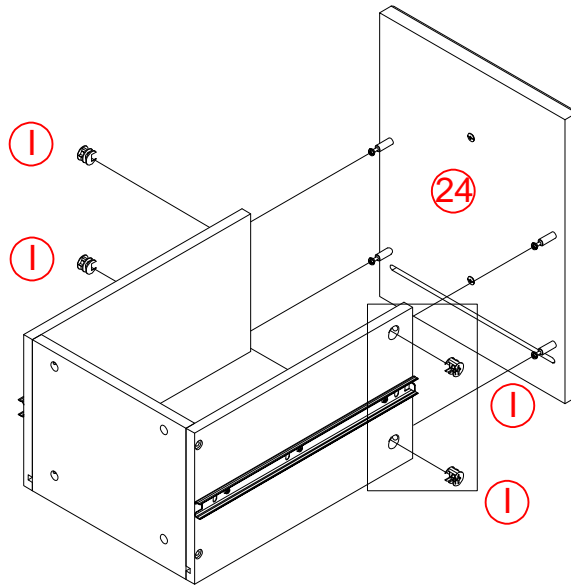
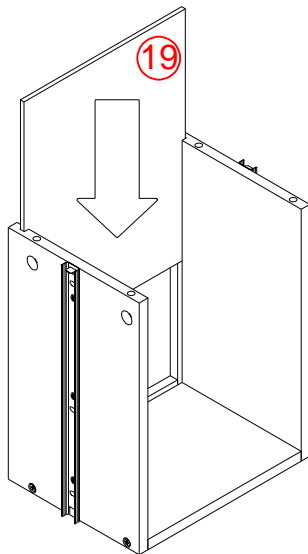
(T)	Ø 10*10MM		4PCS
-----	-----------	---	------


STEP 33



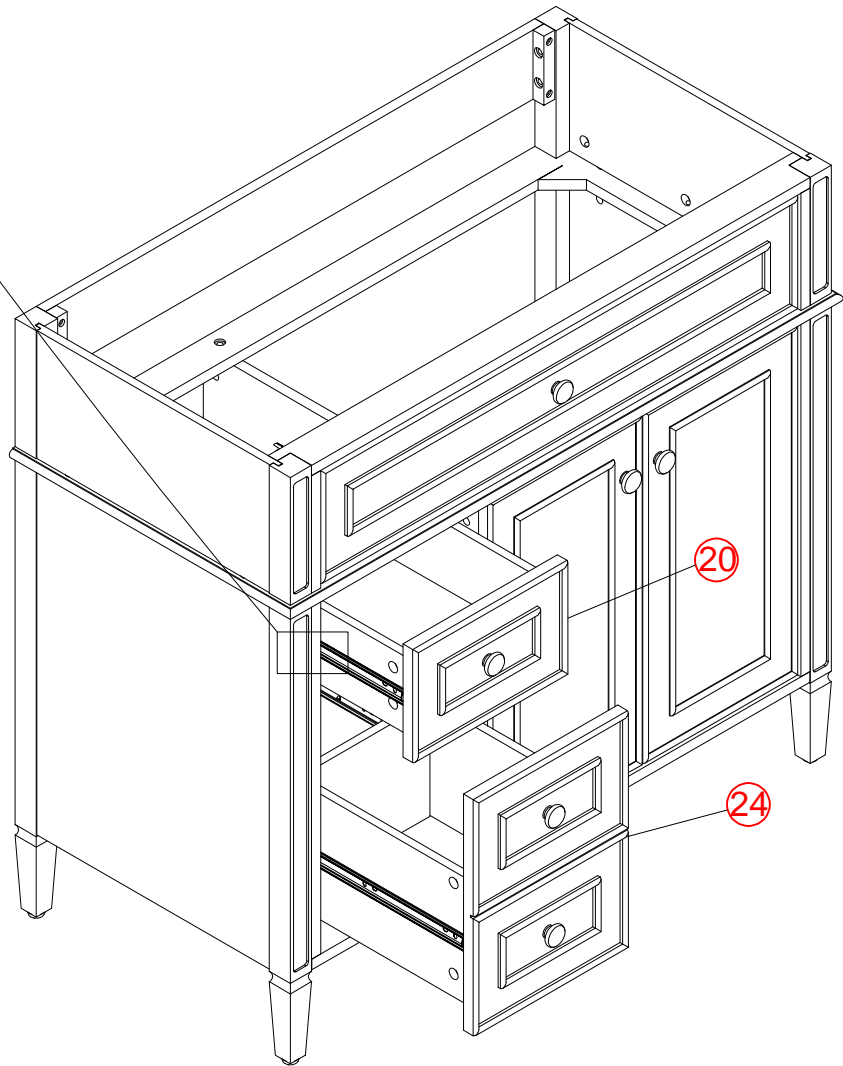
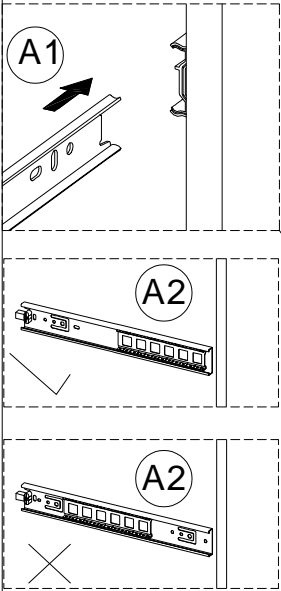
	Ø5*35MM	 4PCS		Ø30MM		M4*20MM	2PCS
---	---------	--	---	-------	---	---------	------

STEP 34



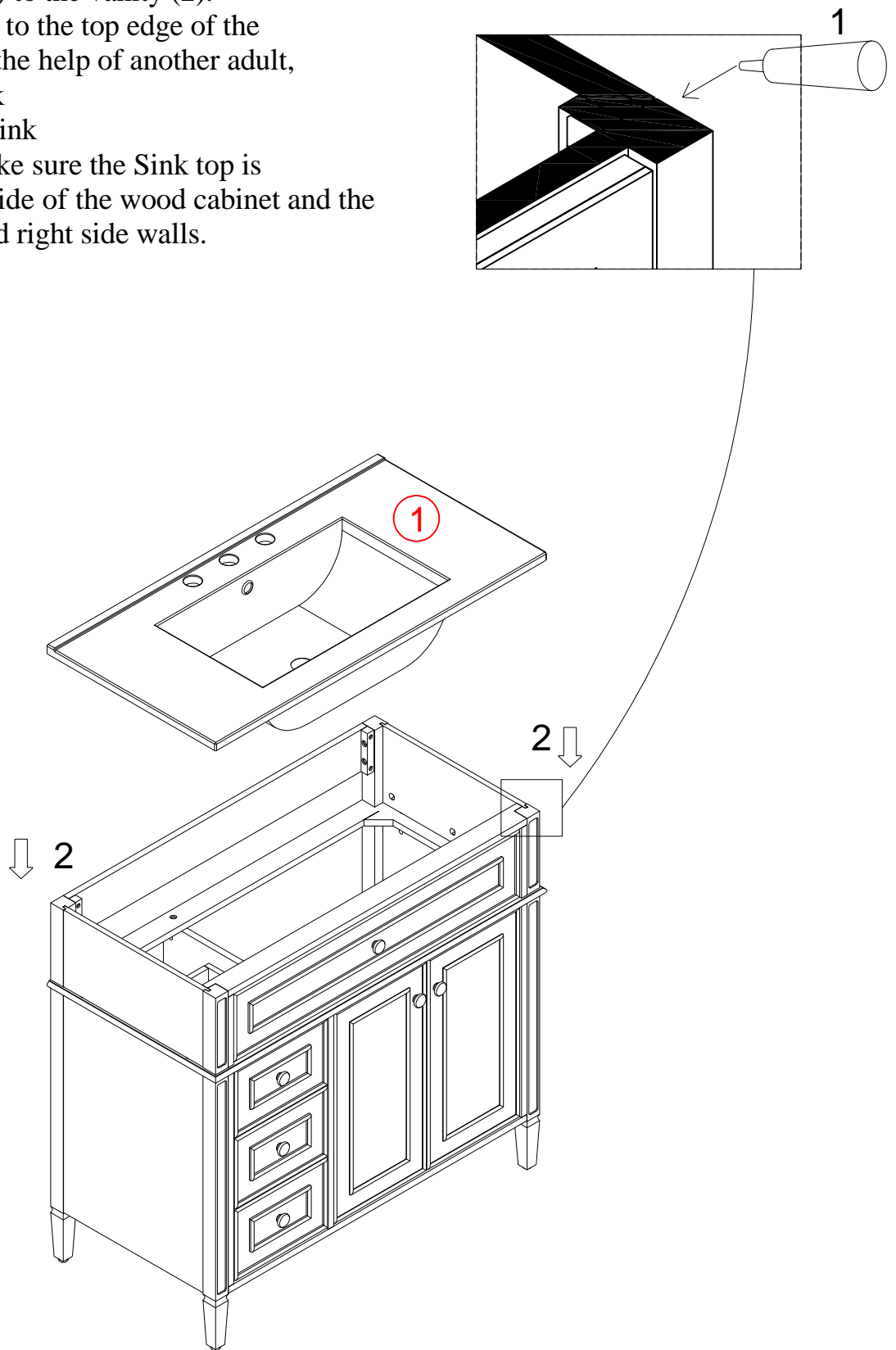
	Ø 15	 4PCS
---	------	--

STEP 35



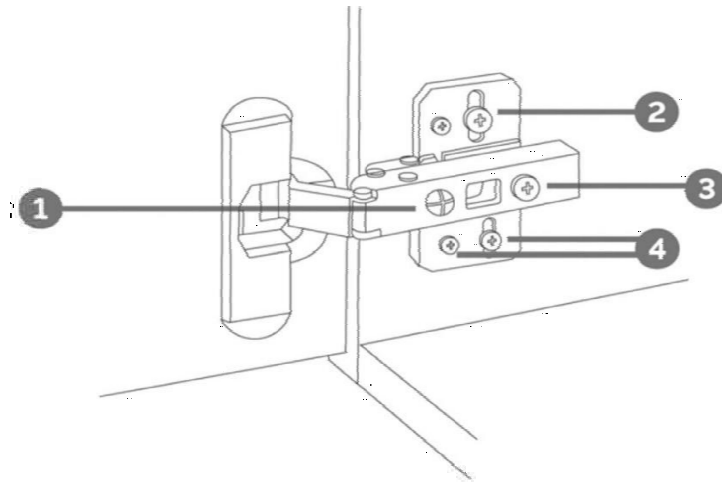
**STEP 36**

To install the Top (1) to the vanity (2).  
Apply silicone caulk to the top edge of the wood cabinet. With the help of another adult, gently lower the Sink top with assembled sink onto the cabinet. Make sure the Sink top is flush with the back side of the wood cabinet and the wood cabinet left and right side walls.



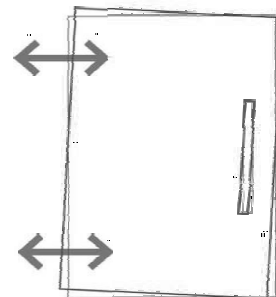


# HINGE ADJUSTMENTS



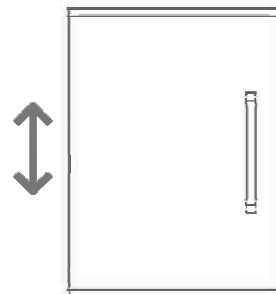
## 1 Sideways / Tilt adjustment

Turn the screw  
**clockwise** to move the door further away from  
 the side of the cabinet  
**anticlockwise** to move the door closer to the  
 side of the cabinet



## 2 4 Height adjustment

While supporting the weight of the door, turn the  
 screws  
**clockwise** to move the door up  
**anticlockwise** to move the door down



## 3 Forward and back adjustment

If the gap between the back of the door and the  
 cabinet is too small, and the door may not close  
 fully. Turn the screw  
**clockwise** to decrease the gap between the  
 door and the cabinet  
**anticlockwise** to increase the gap between the  
 door and the cabinet

