
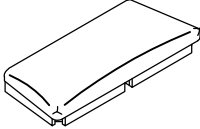
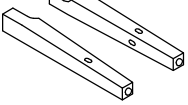
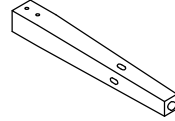
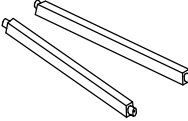
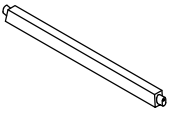
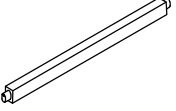
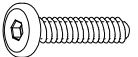
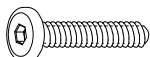
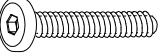


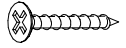



BEST QUALITY FURNITURE ASSEMBLY INSTRUCTIONS

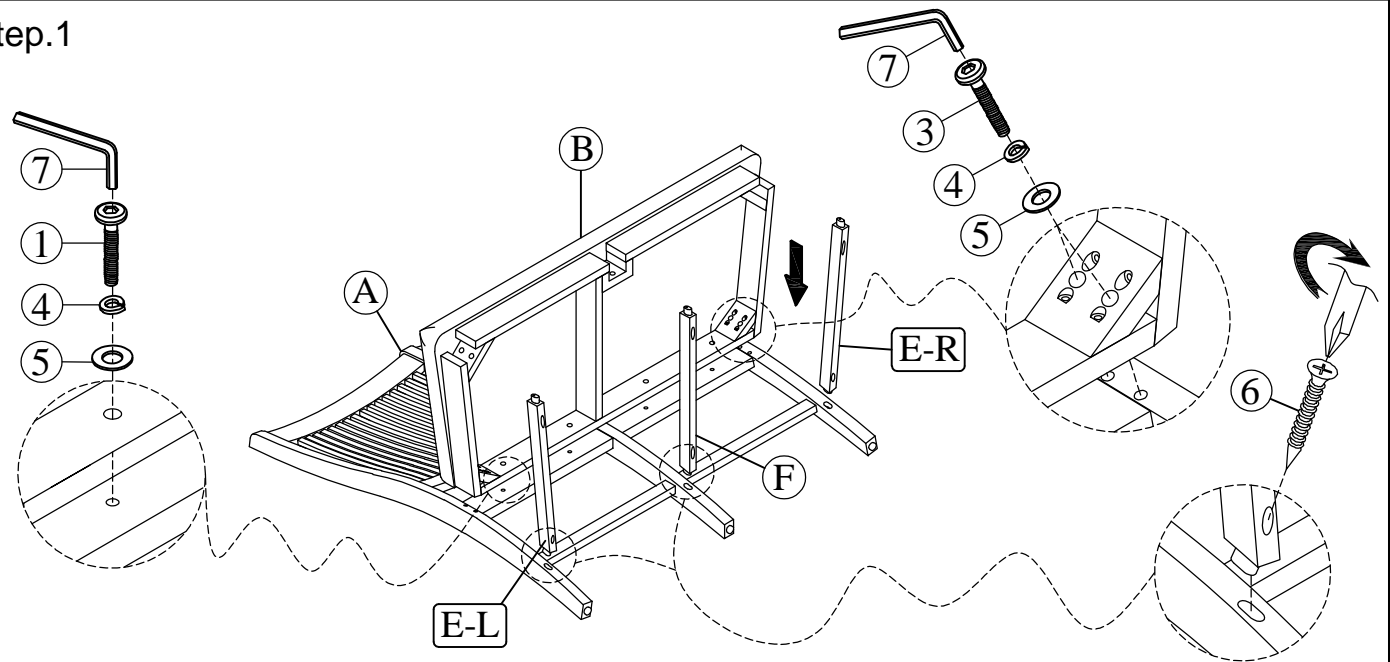
LIST OF PARTS

(A) Bench Back  1 pc	(B) Cushion Seat  1 pc
(C) Front Leg (L/R)  2 pcs	(D) Mid Leg  1 pc
(E) Side Stretchers (L/R)  2 pcs	(F) Mid Stretchers  1 pc
(G) Front Stretchers  2 pcs	

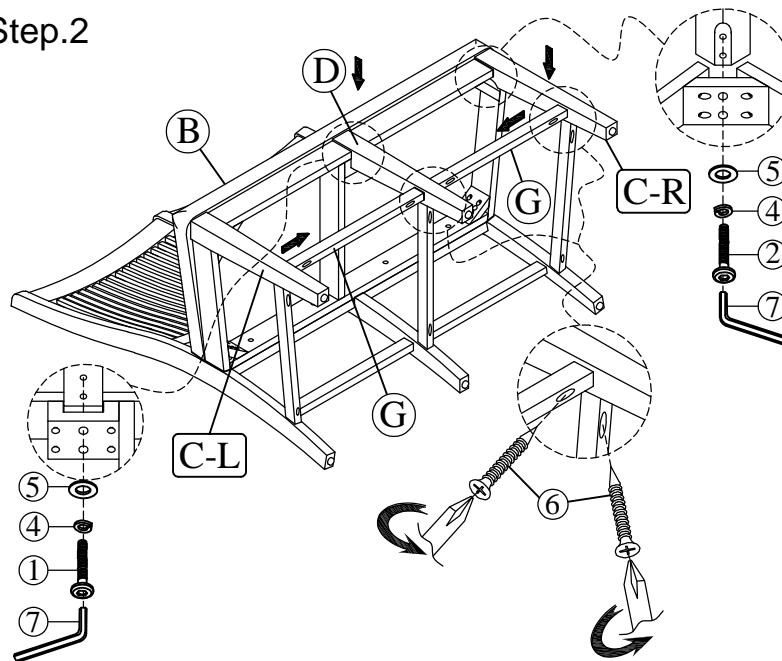
LIST OF HARDWARE

1. Short bolt  1/4" x 40mm (6pcs)	2. Medium bolt  1/4" x 60mm (4pcs)
3. Long bolt  1/4" x 75mm (4pcs)	4. Spring Washer  1/4" (14pcs)
5. Flat Washer  1/4" (14pcs)	6. Screws  #4 x 38mm (10pcs)
7. Allen key  1pc	

Step.1



Step.2



Completed

