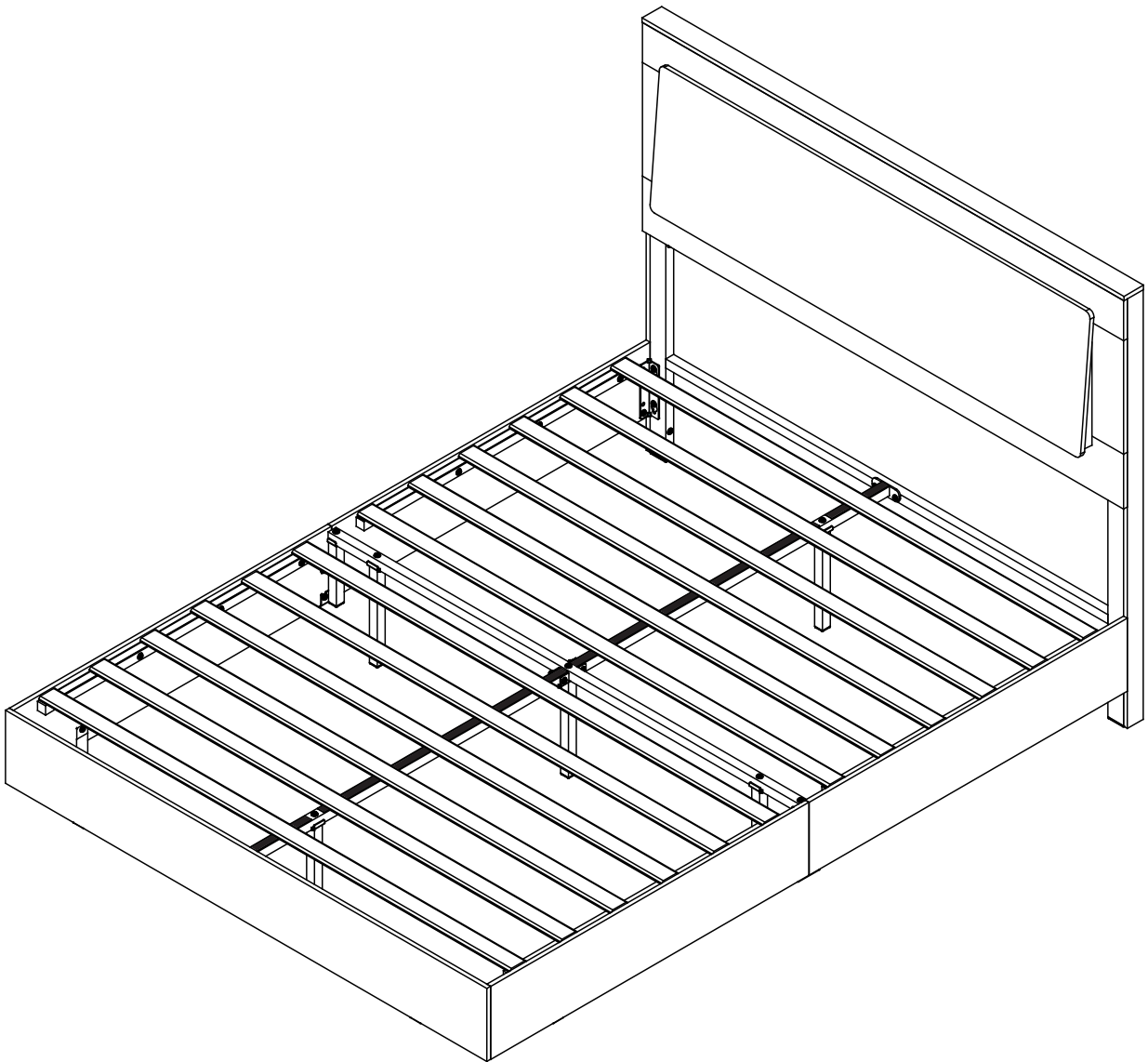


Panel Bed Assembly Instructions



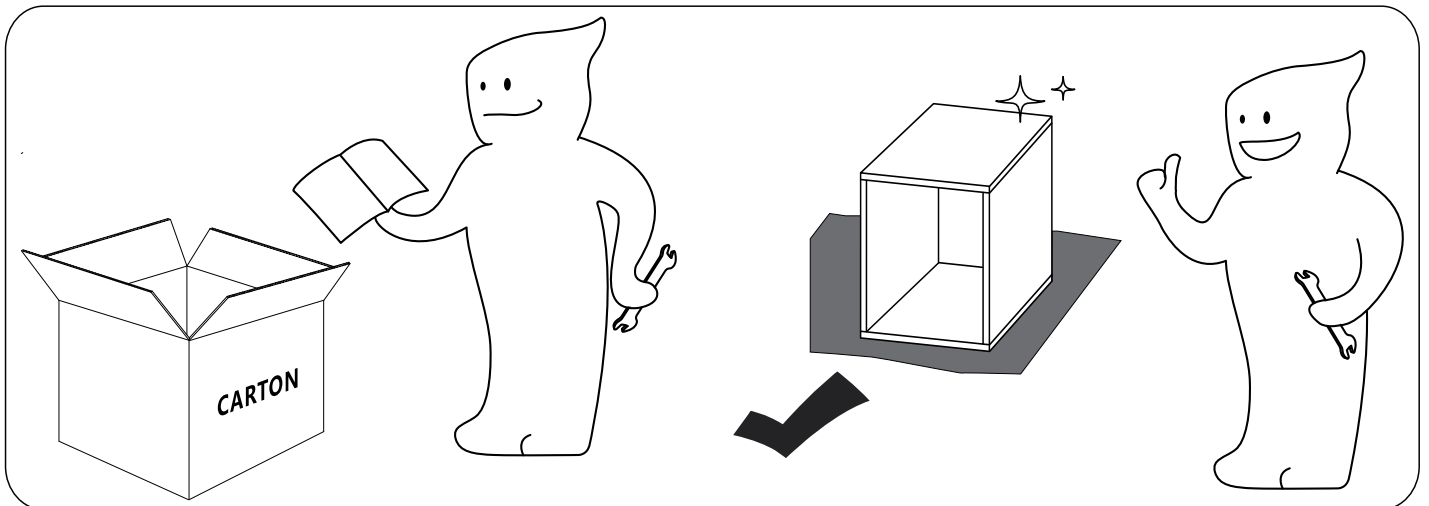
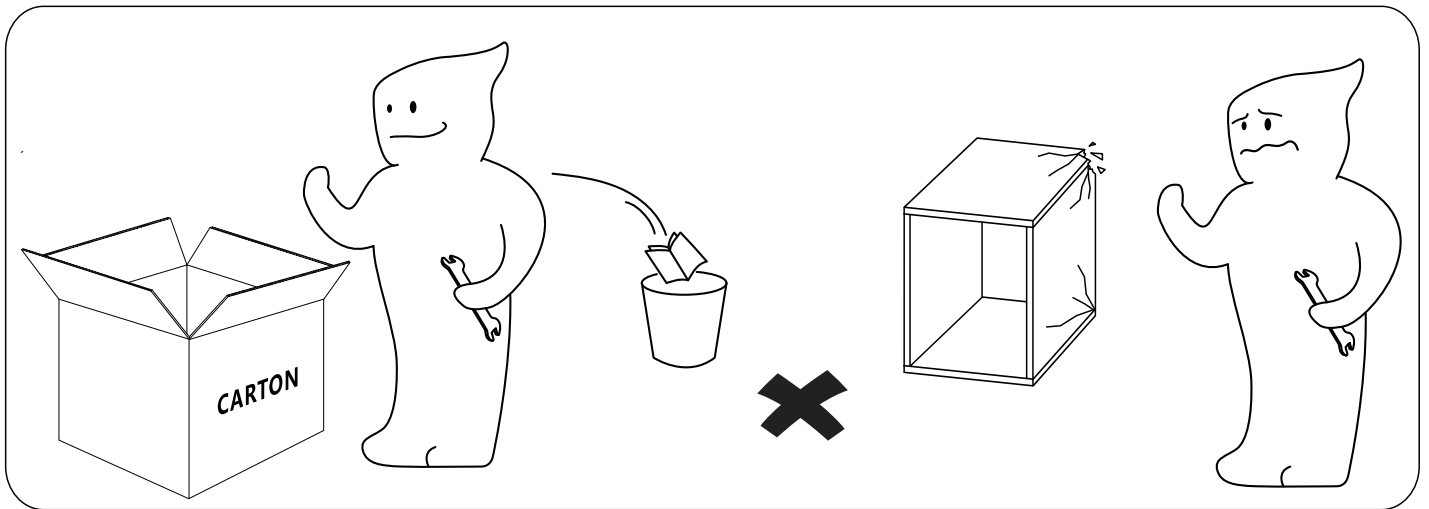
Dear Customers,

Thank you for purchasing our product. Please read this instruction manual carefully after receiving this product. It will help you assemble this product quickly, safely and correctly. You can keep this manual for future reference.

MADE IN CHINA

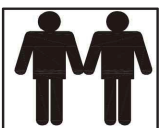
! IMPORTANT

Please follow the instruction manuals and use a pad to protect the product during your assembly.



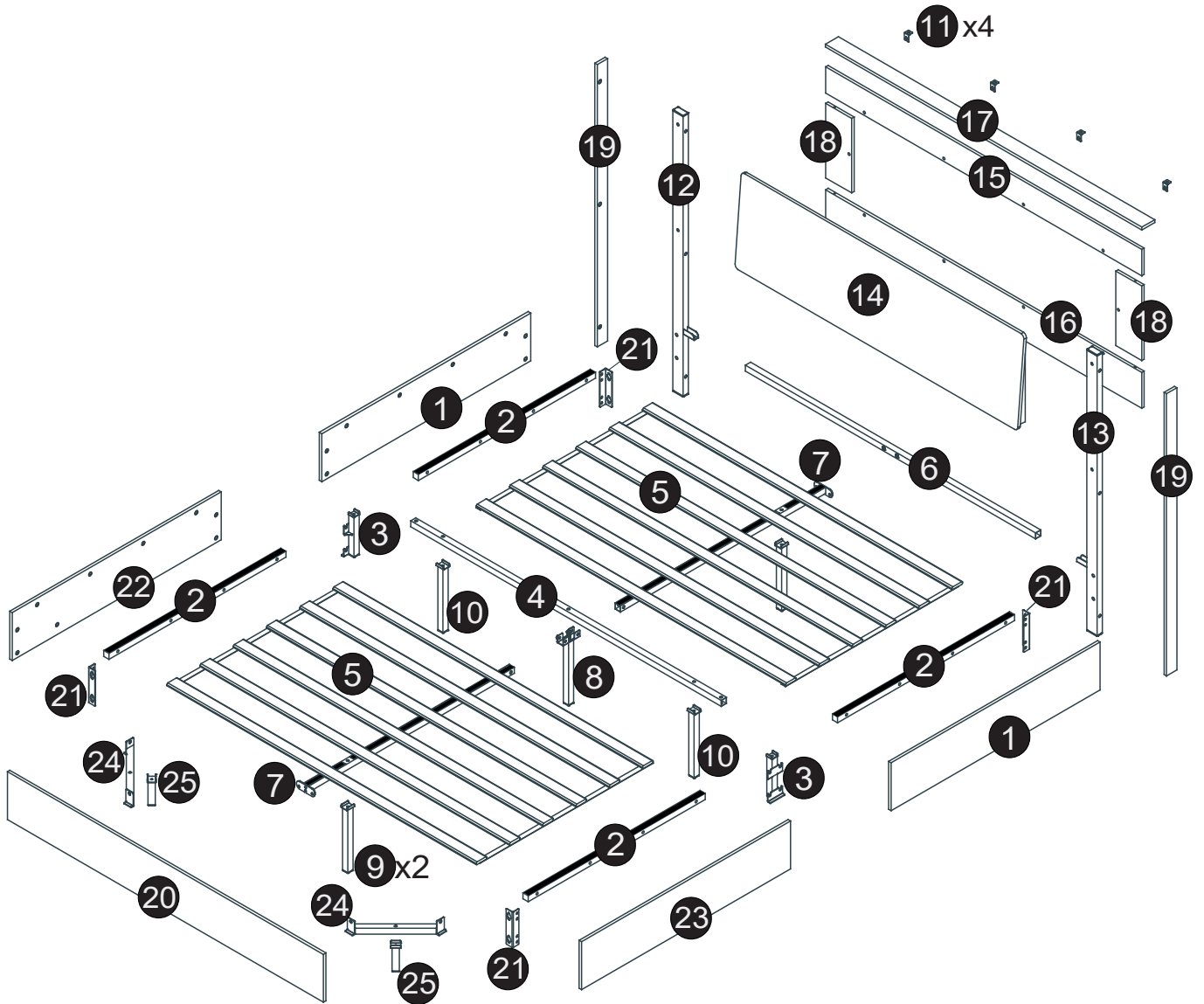
Note:

- 1. Should be assembled on flat ground to keep balance.**
- 2. Before completing the installation, do not tighten the screws.**

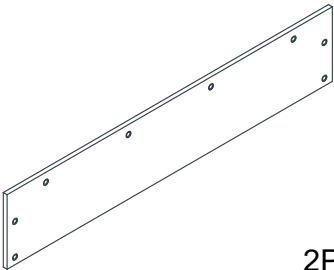
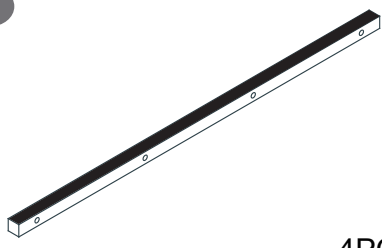
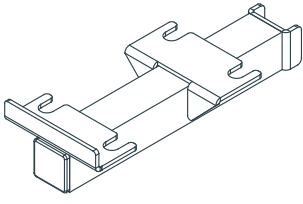
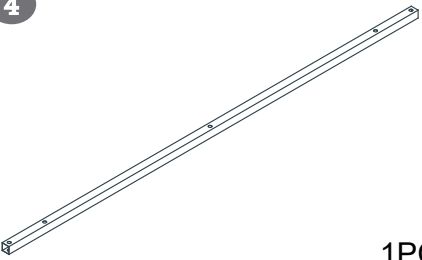
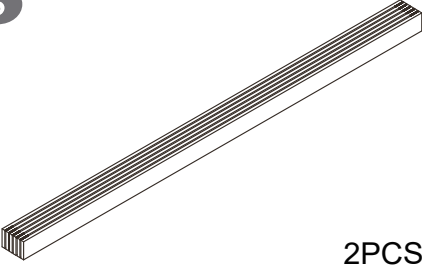
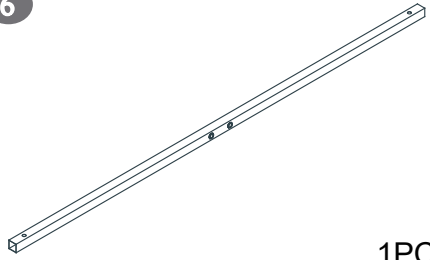

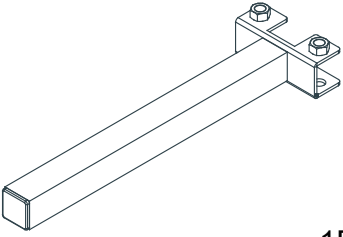
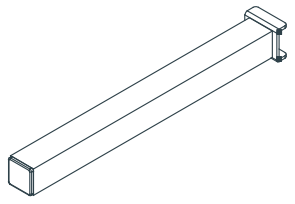
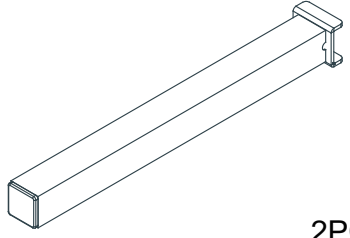
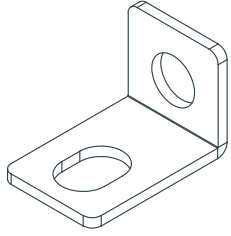
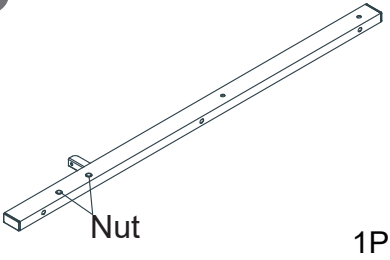
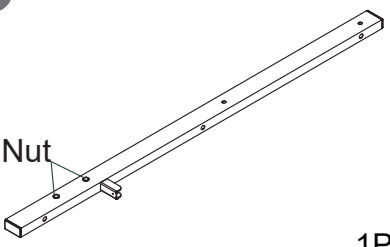
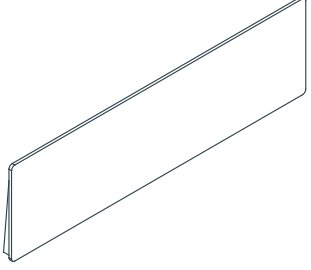
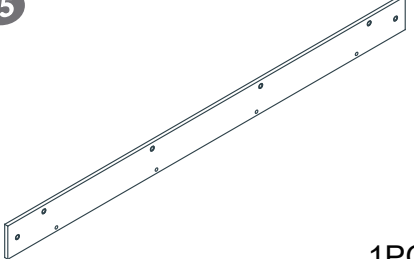
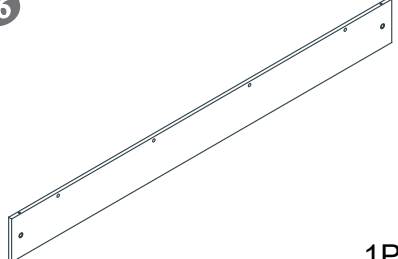
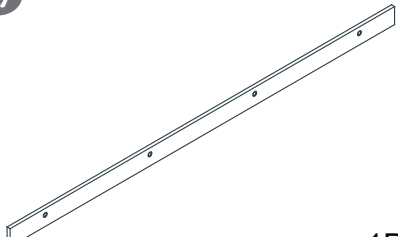
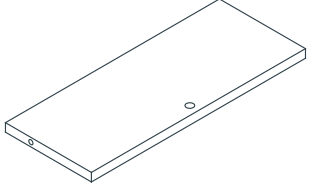


For easier and better assembly, **2** or more adults are required.

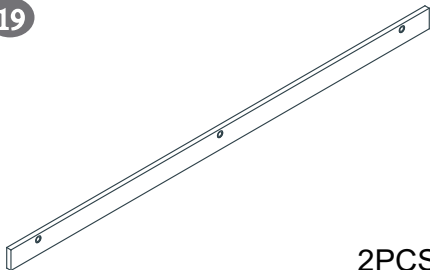
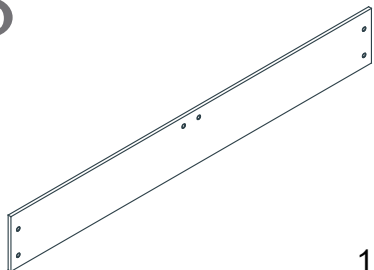
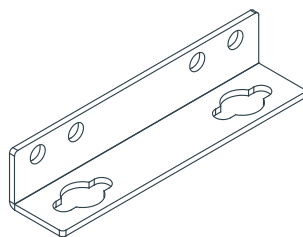
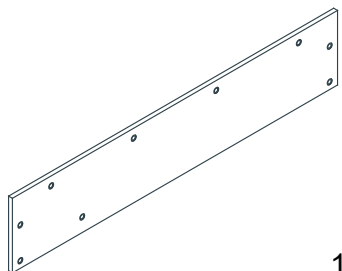
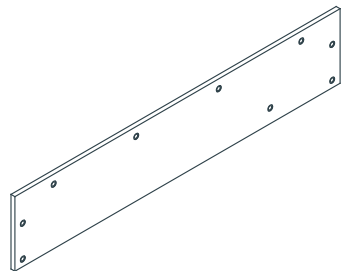
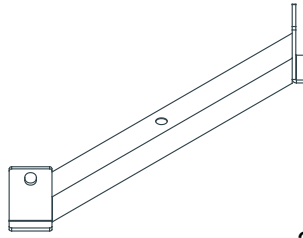
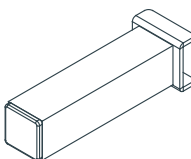


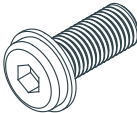
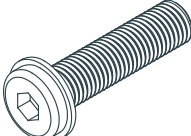
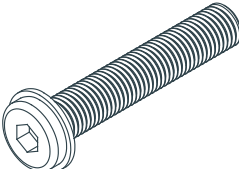
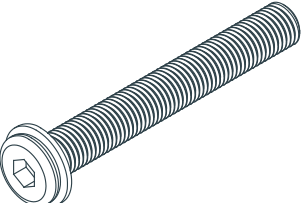
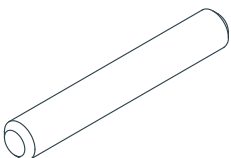
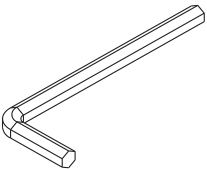
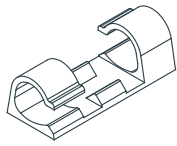
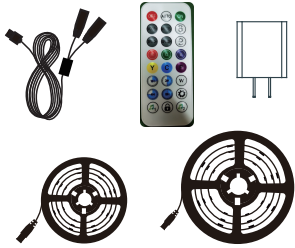
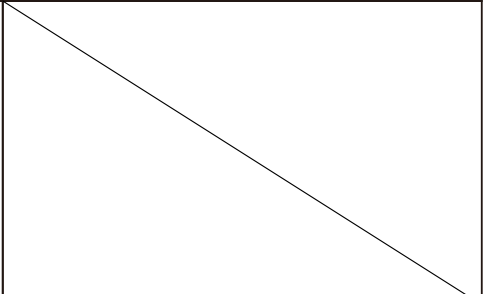
ASSEMBLY INSTRUCTIONS



ASSEMBLY INSTRUCTIONS

<p>1</p>  <p>2PCS</p>	<p>2</p>  <p>4PCS</p>	<p>3</p>  <p>2PCS</p>
<p>4</p>  <p>1PC</p>	<p>5</p>  <p>2PCS</p>	<p>6</p>  <p>1PC</p>
<p>7</p>  <p>2PCS</p>	<p>8</p>  <p>1PC</p>	<p>9</p>  <p>2PCS</p>
<p>10</p>  <p>2PCS</p>	<p>11</p>  <p>4PCS</p>	<p>12</p>  <p>Nut</p> <p>1PC</p>
<p>13</p>  <p>Nut</p> <p>1PC</p>	<p>14</p>  <p>1PC</p>	<p>15</p>  <p>1PC</p>
<p>16</p>  <p>1PC</p>	<p>17</p>  <p>1PC</p>	<p>18</p>  <p>2PCS</p>

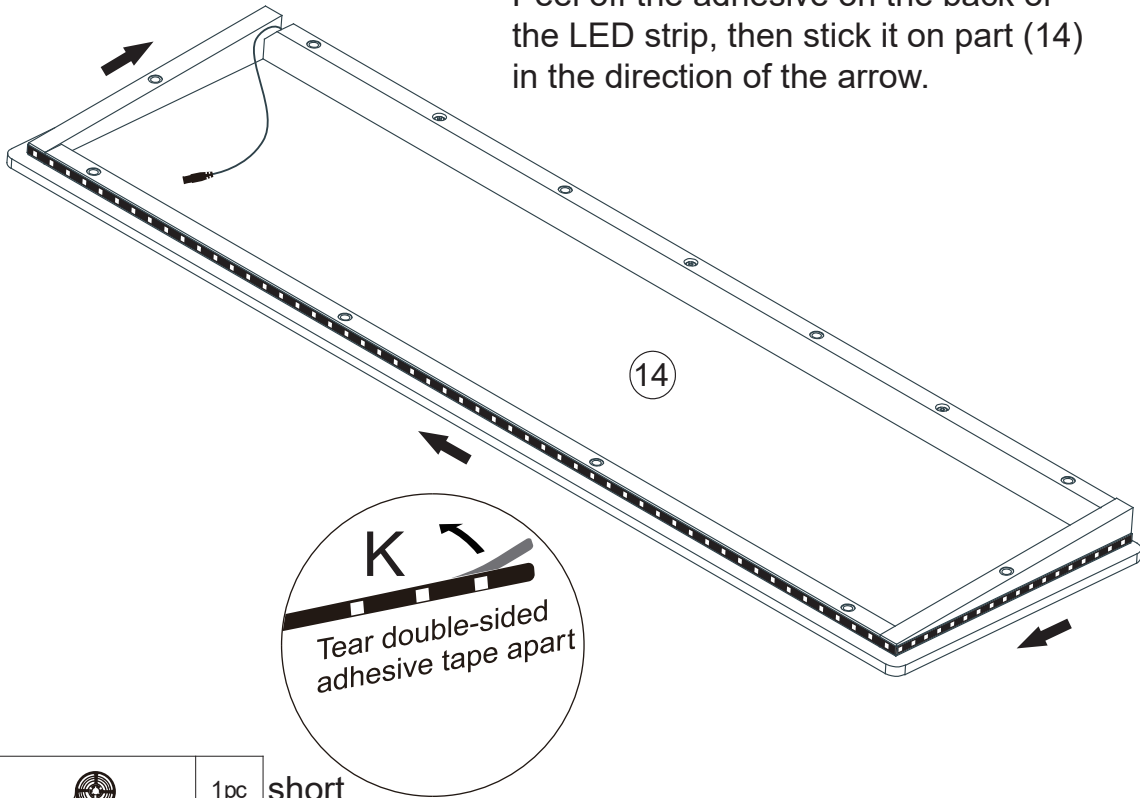
ASSEMBLY INSTRUCTIONS

<p>19</p>  <p>2PCS</p>	<p>20</p>  <p>1PC</p>	<p>21</p>  <p>4PCS</p>
<p>22</p>  <p>1PC</p>	<p>23</p>  <p>1PC</p>	<p>24</p>  <p>2PCS</p>
<p>25</p>  <p>2PCS</p>	<p>A</p>  <p>M8*12 30PCS</p>	<p>B</p>  <p>white zinc M8*14 6PCS</p>
<p>C</p>  <p>M8*20 12PCS</p>	<p>D</p>  <p>M8*33 32PCS</p>	<p>E</p>  <p>M8*45 3PCS</p>
<p>F</p>  <p>M8*60 6PCS</p>	<p>G</p>  <p>φ6*40 4PCS</p>	<p>H</p>  <p>5*5 1PC</p>
<p>I</p>  <p>3PCS</p>	<p>K</p>  <p>short long 1PC</p>	

ASSEMBLY INSTRUCTIONS

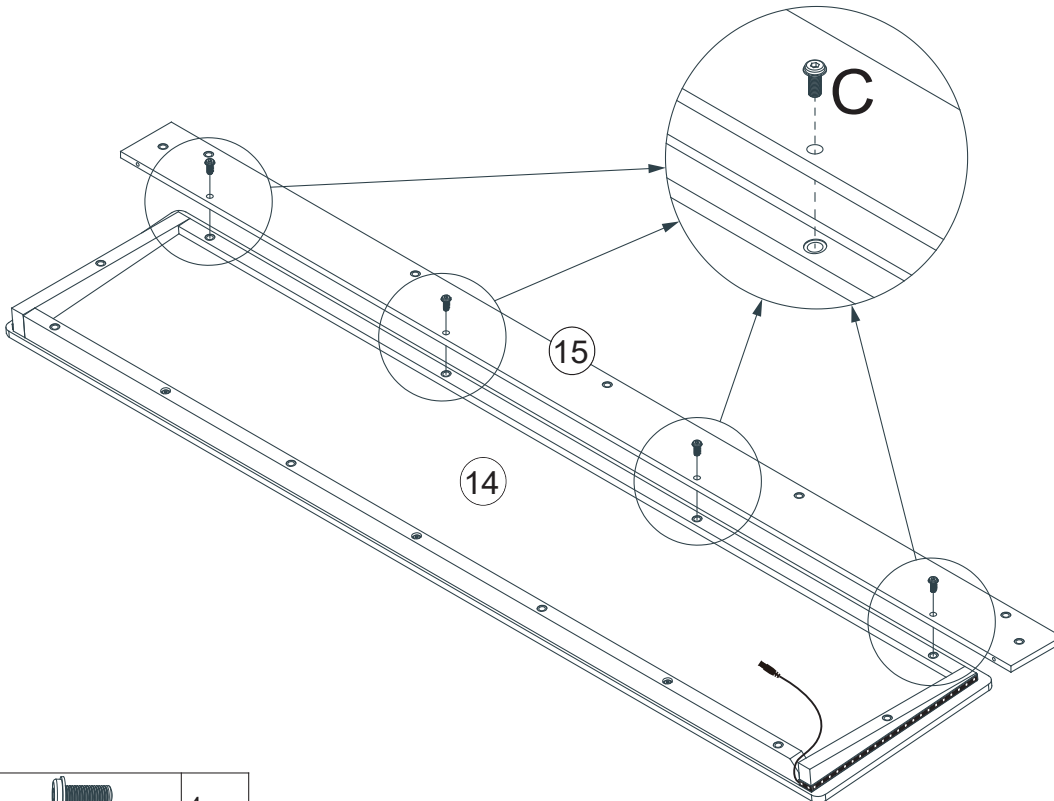
1

Peel off the adhesive on the back of the LED strip, then stick it on part (14) in the direction of the arrow.



K		1pc short
----------	-------------------------------------------------------------------------------------	-----------

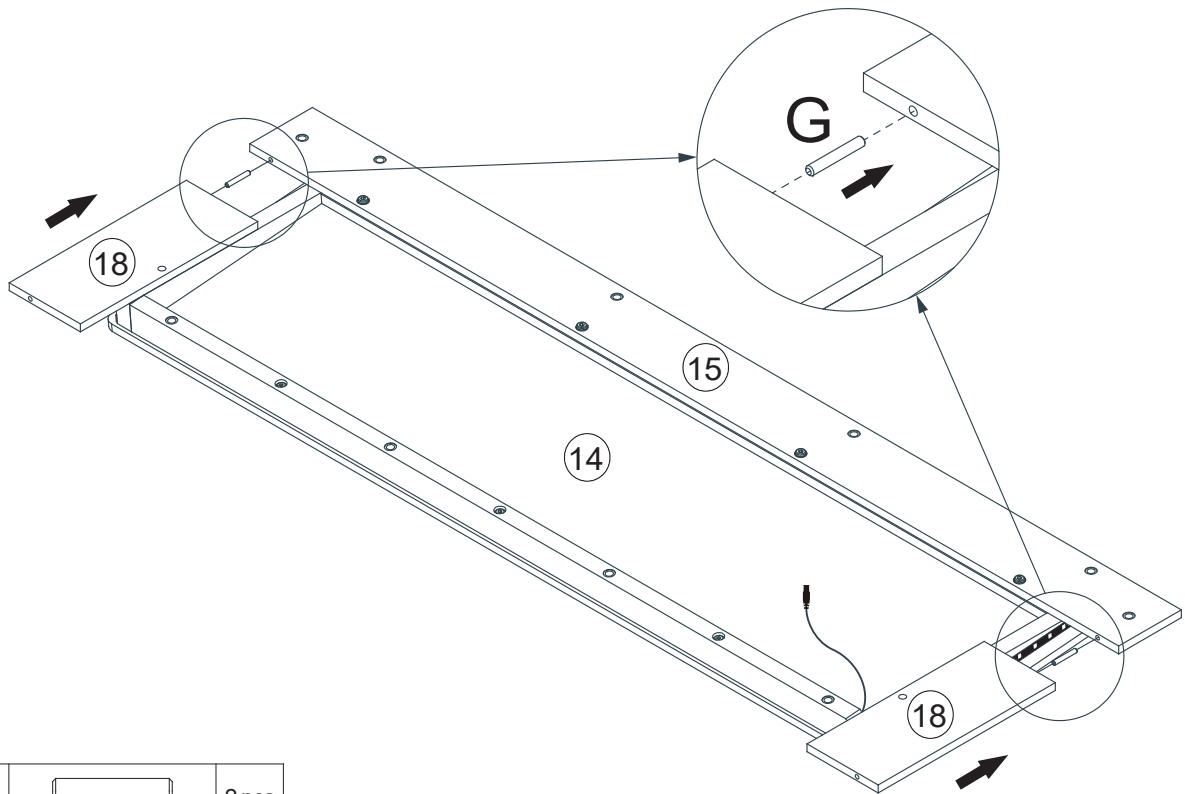
2

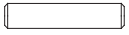


C		4 pcs
----------	-------------------------------------------------------------------------------------	-------

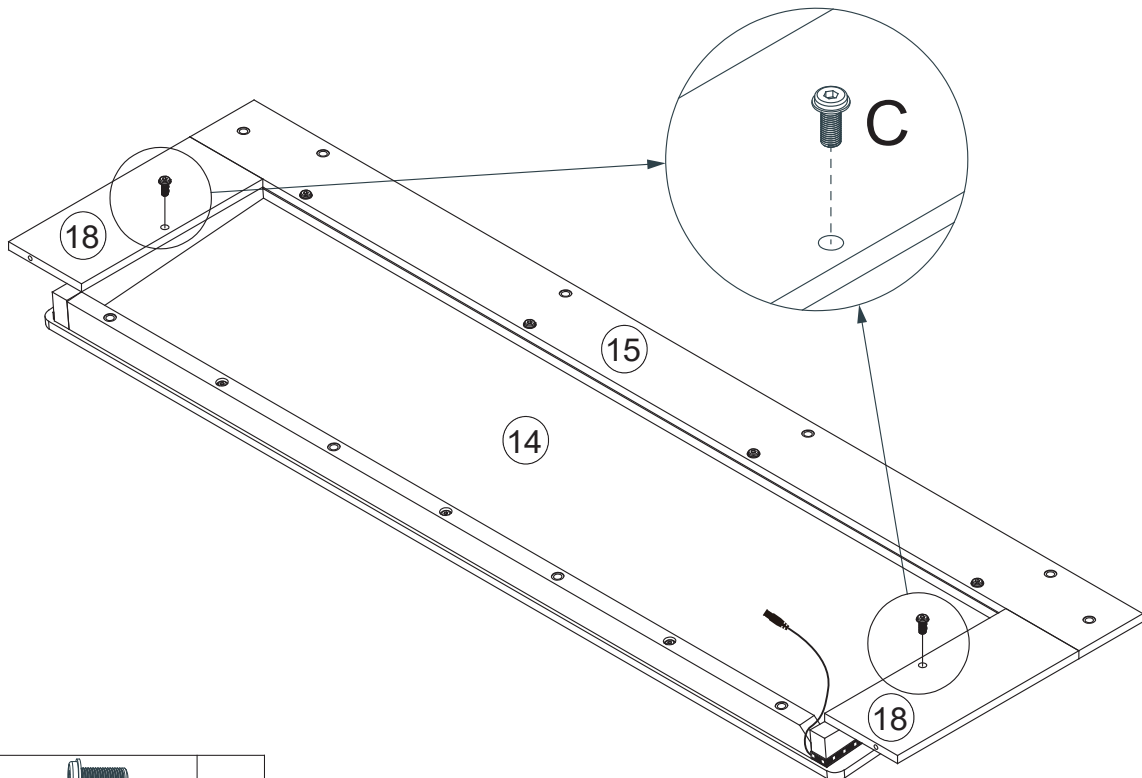
ASSEMBLY INSTRUCTIONS

3



G		2 pcs
	$\phi 6 \times 40$	

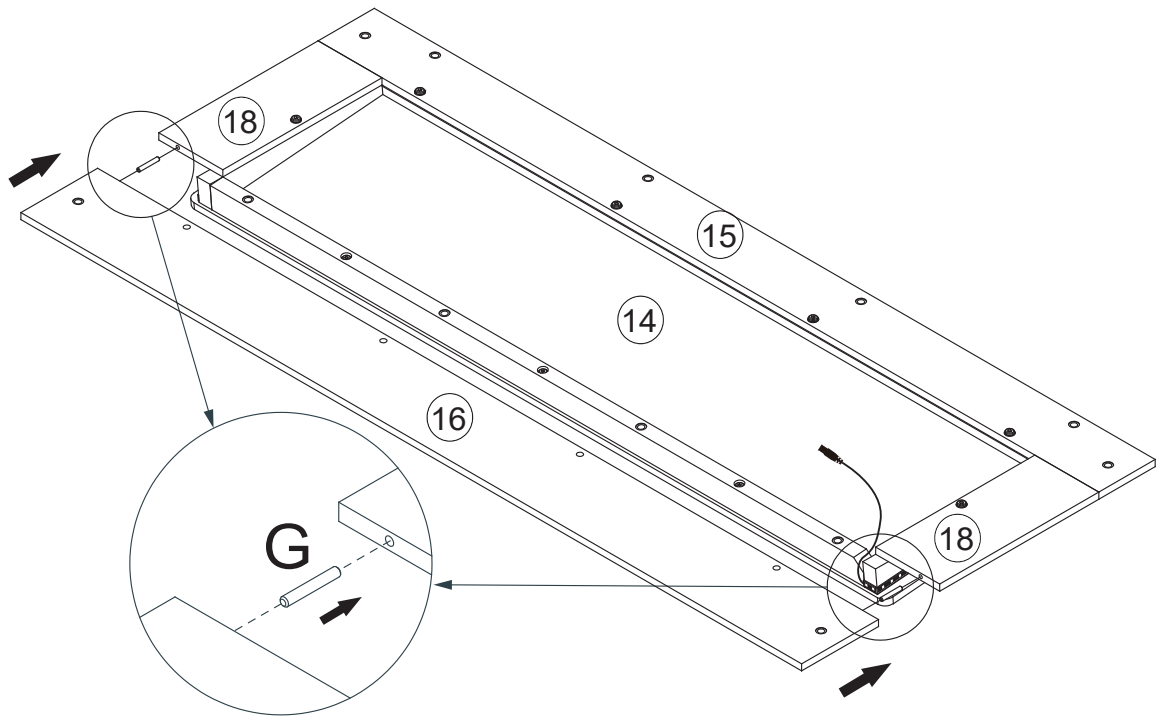
4

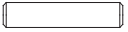


C		2 pcs
	M8x20	

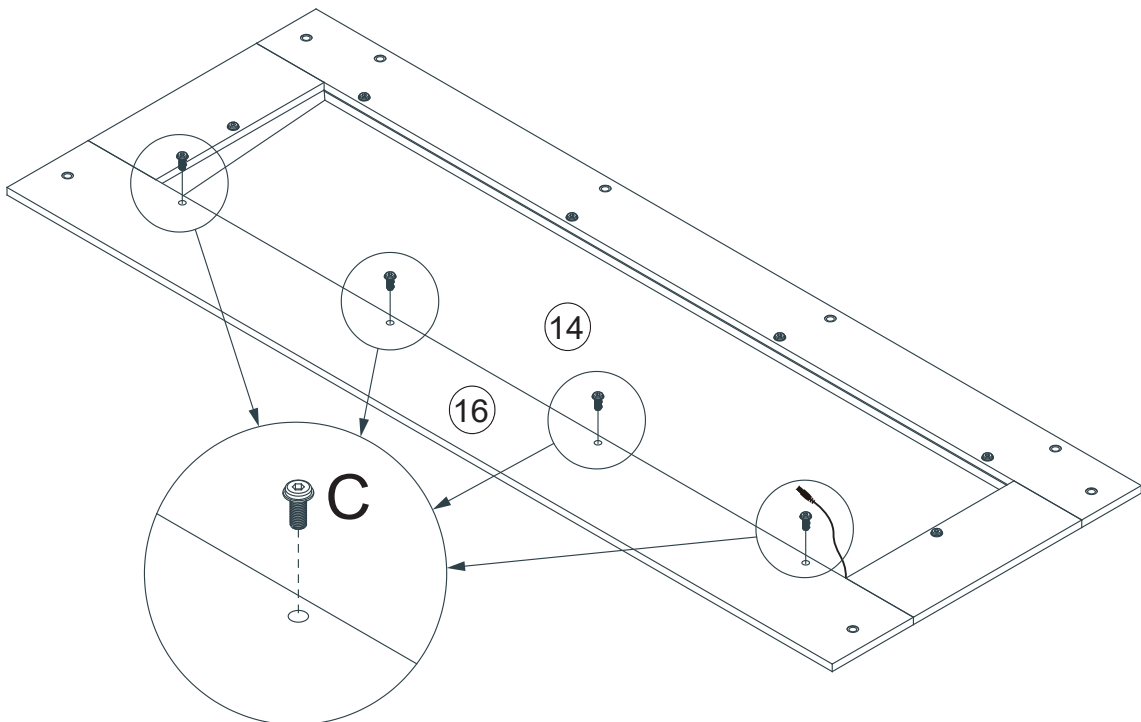
ASSEMBLY INSTRUCTIONS


5



G		2 pcs
	$\varnothing 6 \times 40$	

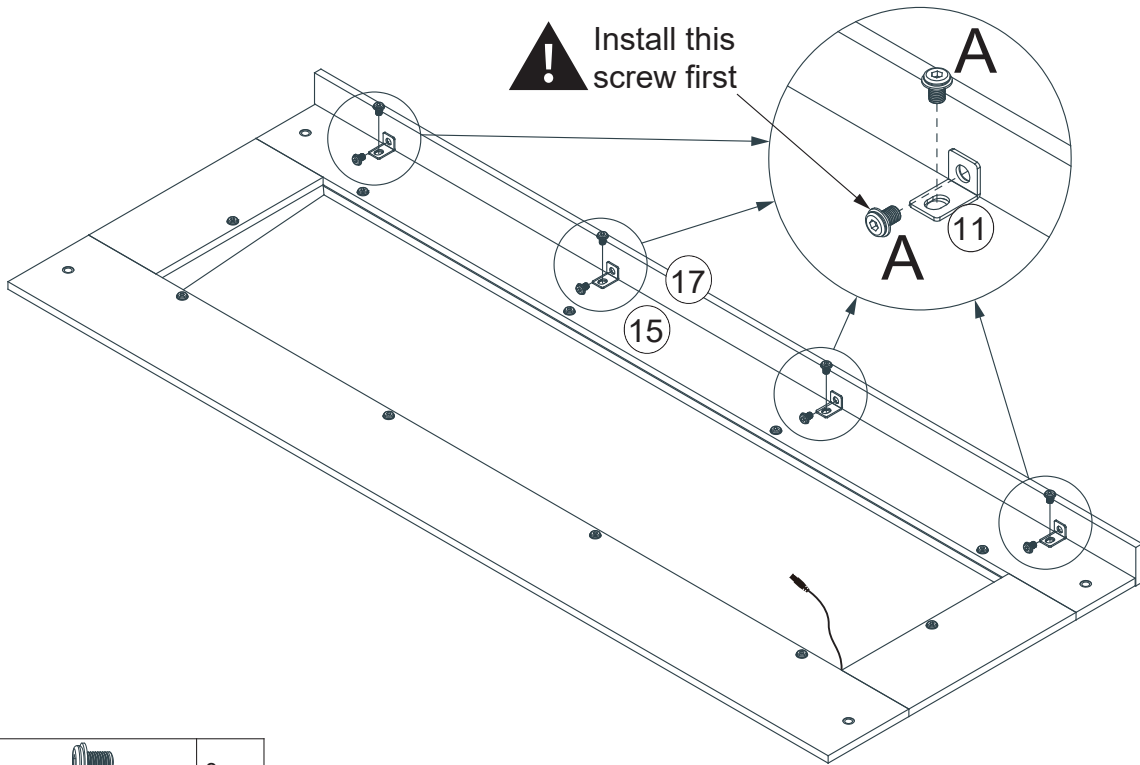
6



C		4 pcs
	M8x20	

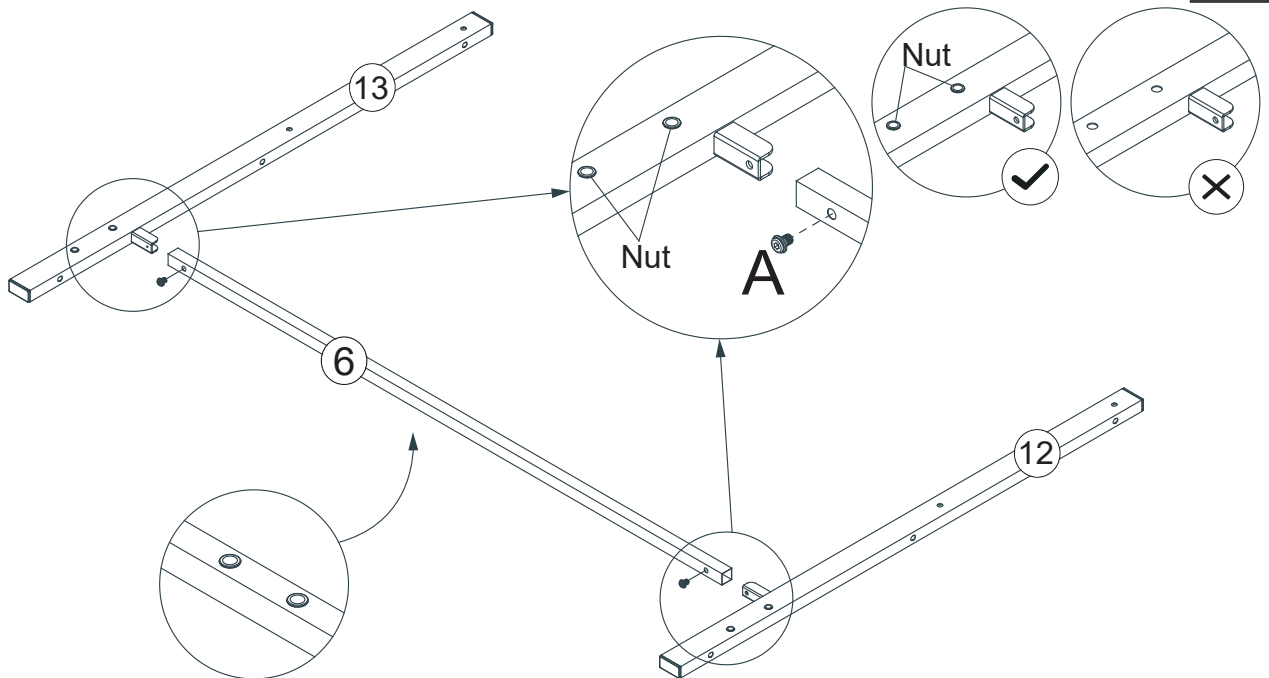
ASSEMBLY INSTRUCTIONS

7



A	 M8x12	8 pcs
---	----------------------------------------------------------------------------------------------	-------

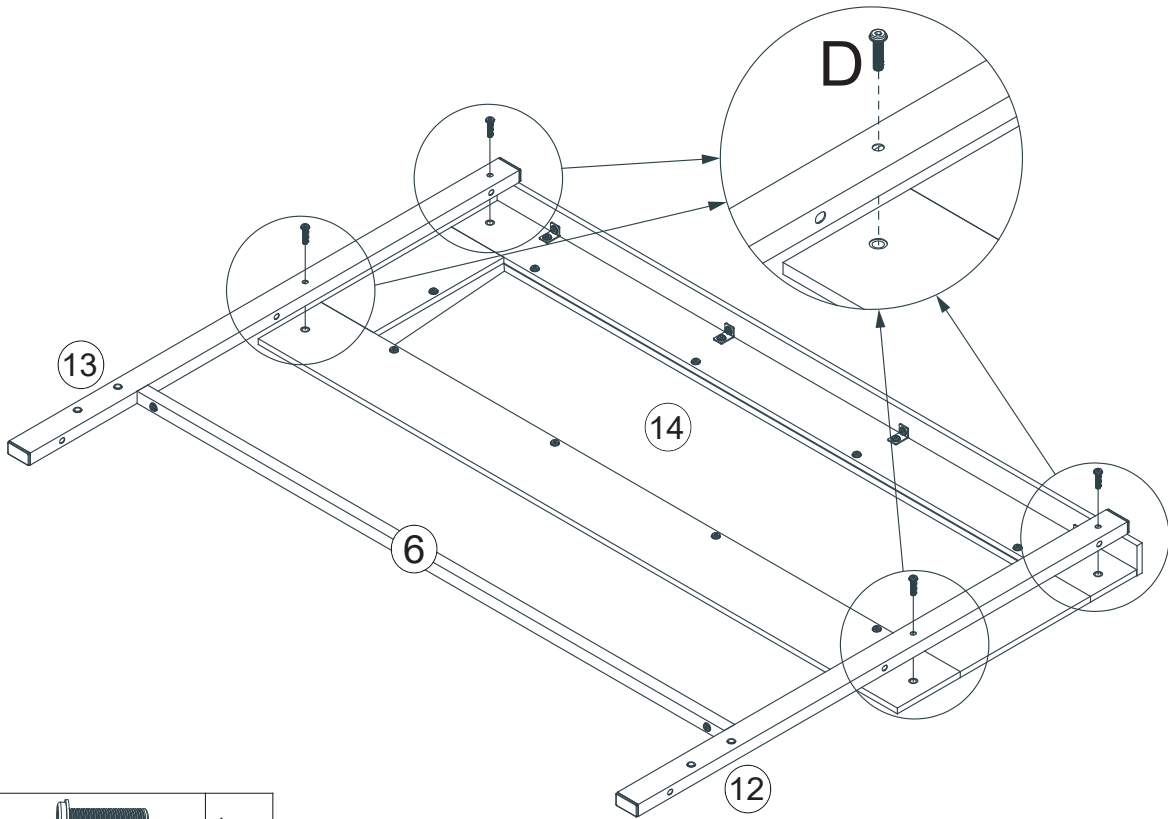
8



A	 M8x12	2 pcs
---	----------------------------------------------------------------------------------------------	-------

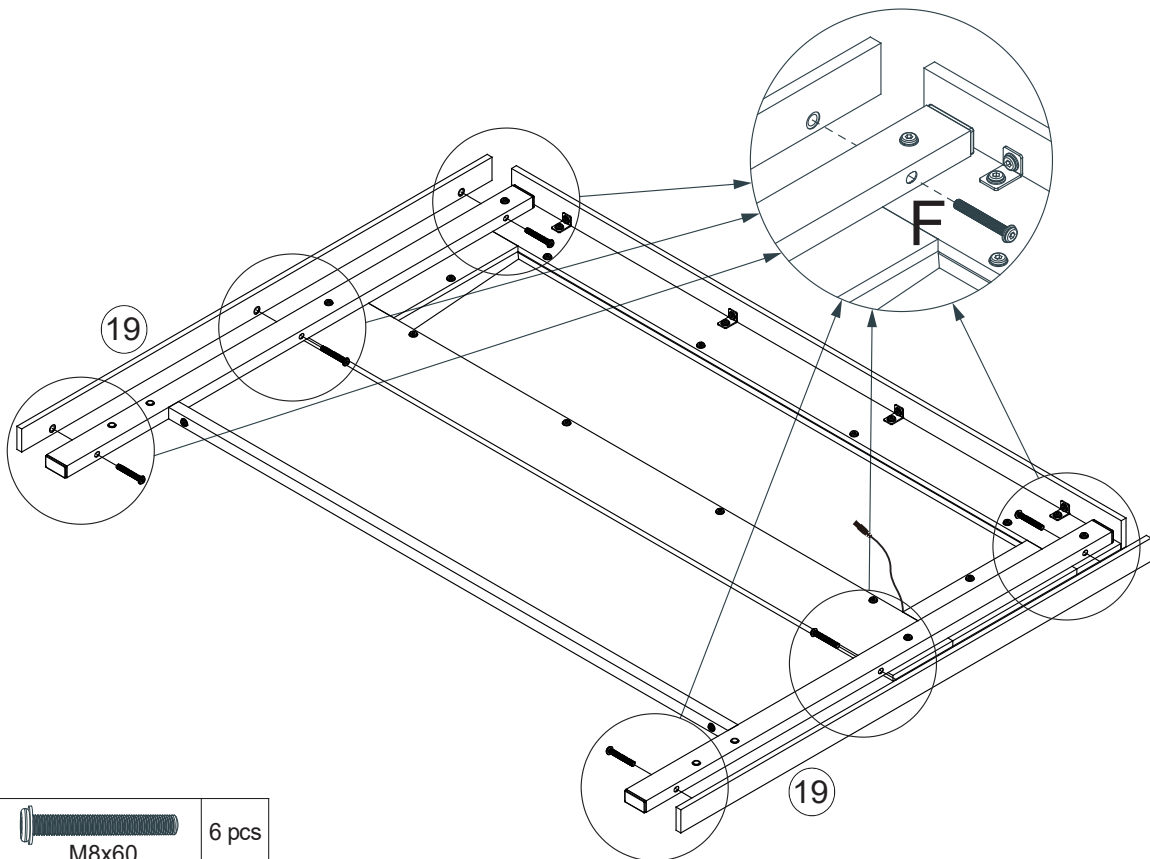
ASSEMBLY INSTRUCTIONS


9



D	 M8x33	4 pcs
---	----------------------------------------------------------------------------------------------	-------

10

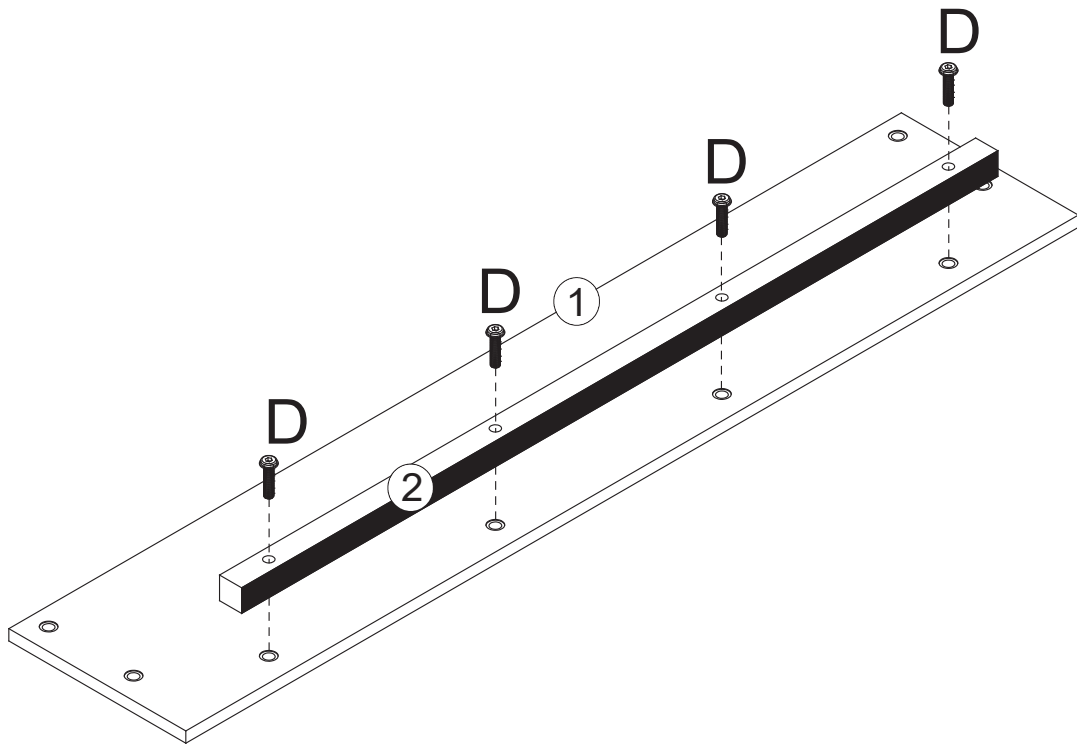


F	 M8x60	6 pcs
---	----------------------------------------------------------------------------------------------	-------

ASSEMBLY INSTRUCTIONS

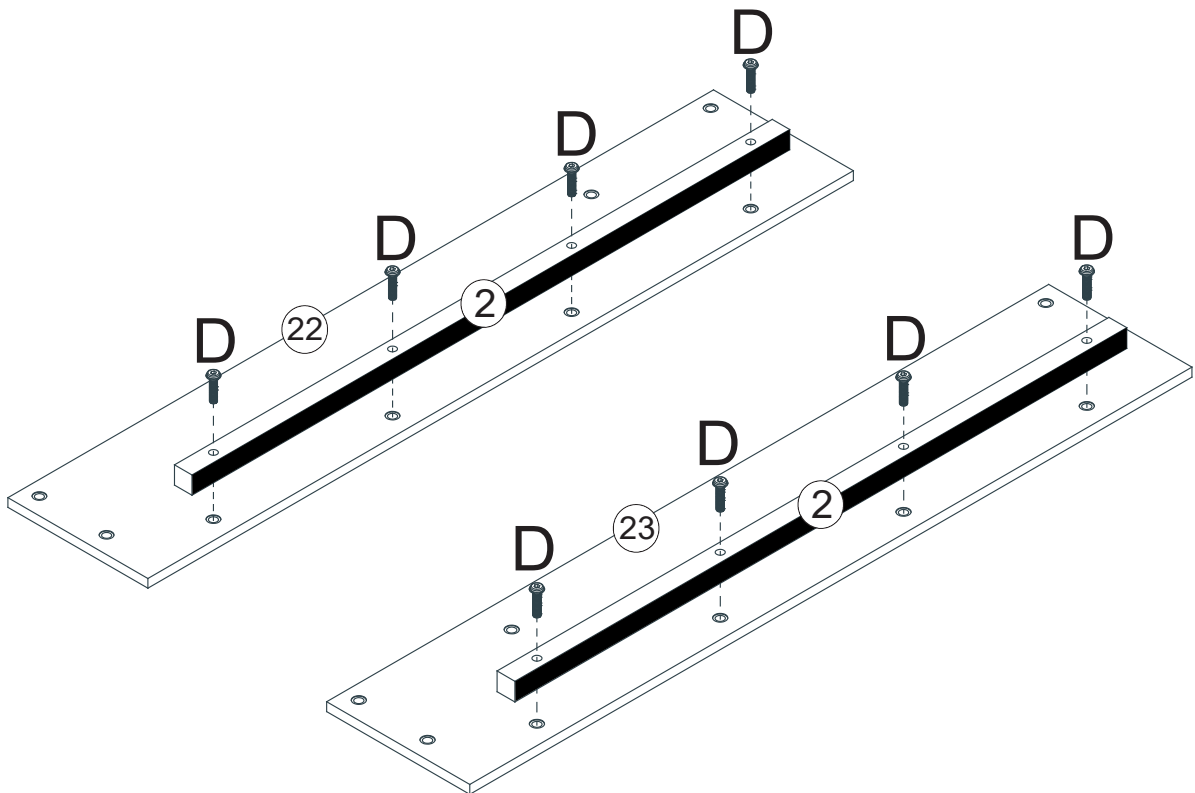
11

x2



D	 M8x33	8 pcs
---	----------------------------------------------------------------------------------------------	-------

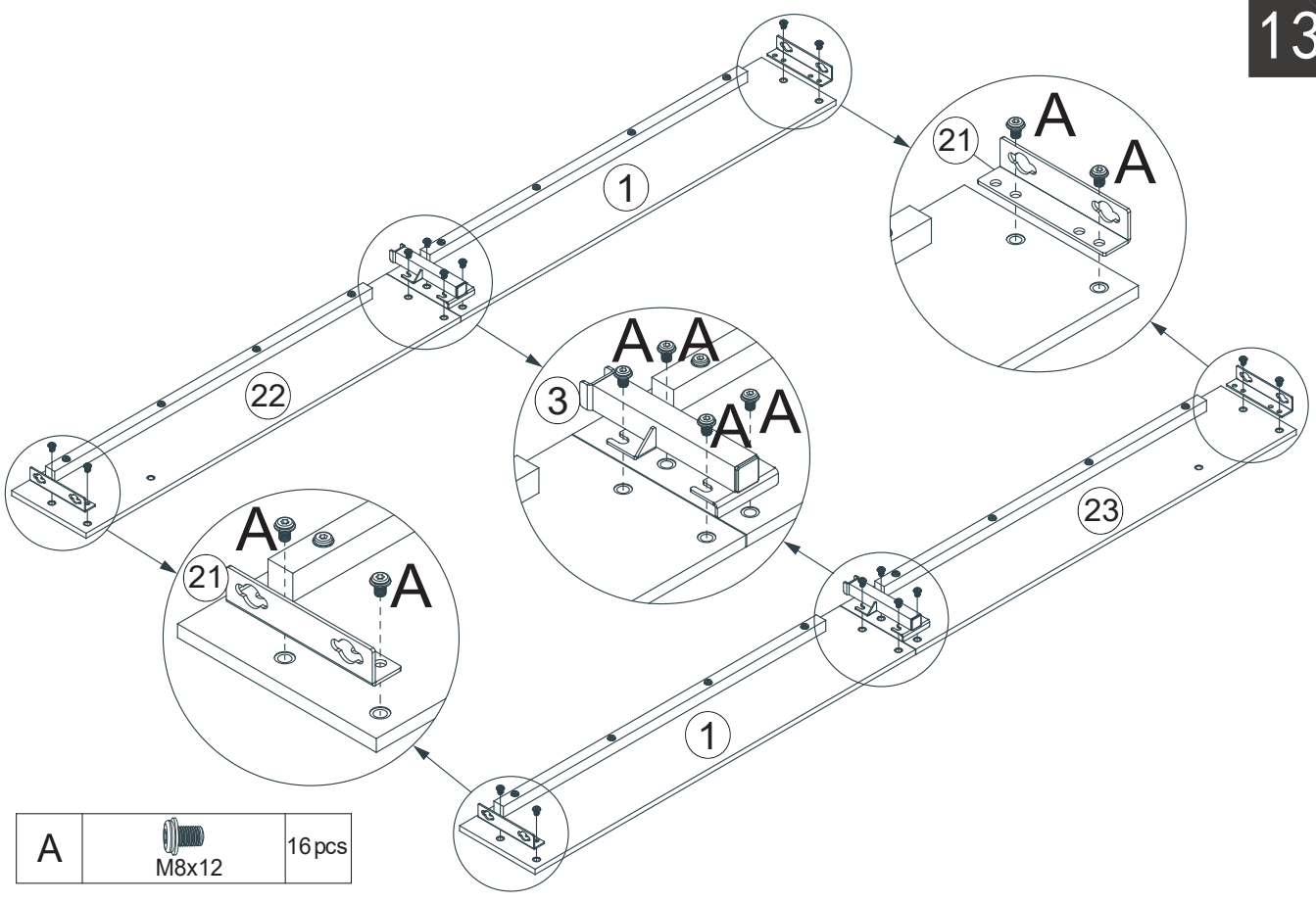
12



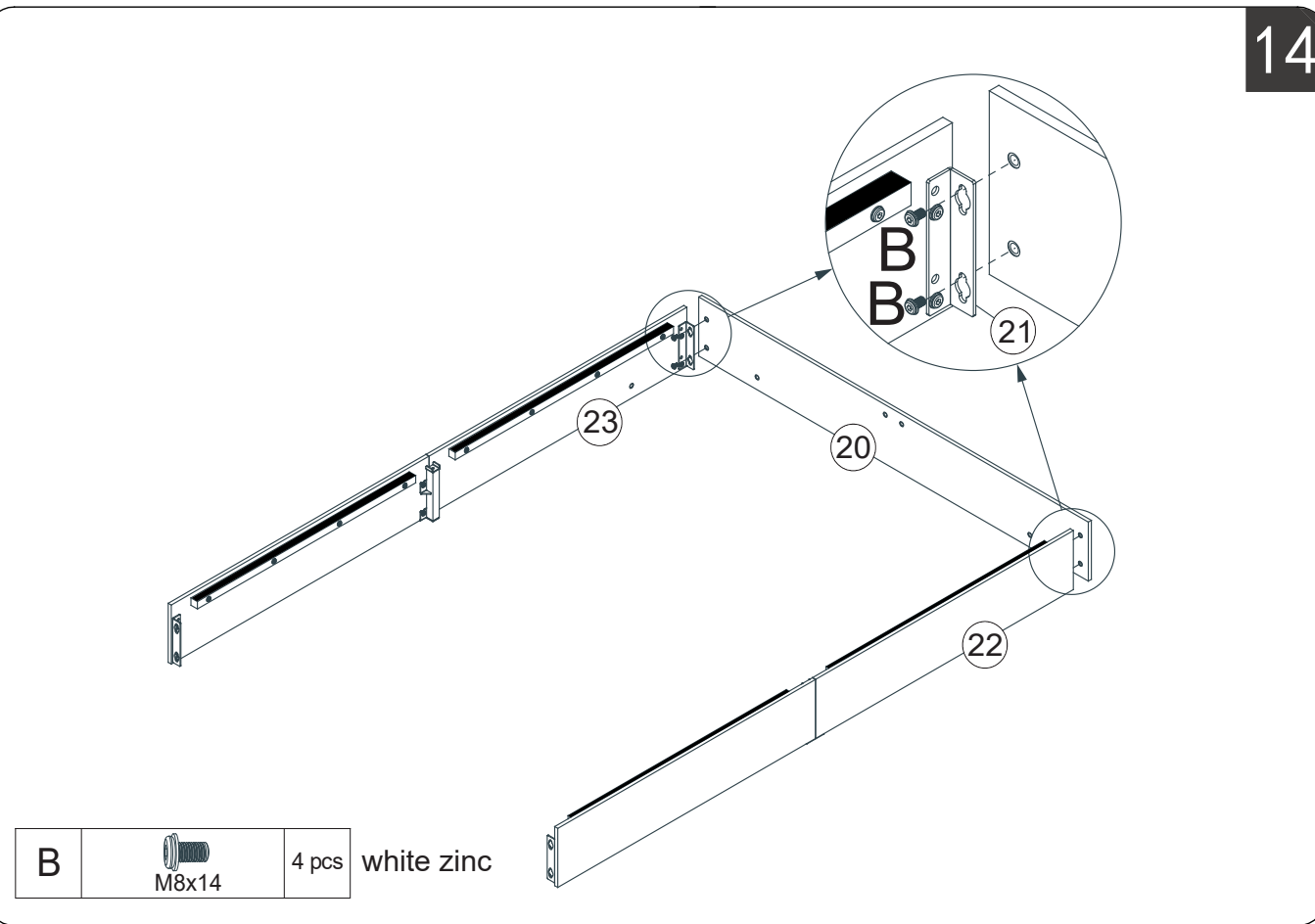
D	 M8x33	8 pcs
---	----------------------------------------------------------------------------------------------	-------

ASSEMBLY INSTRUCTIONS

13



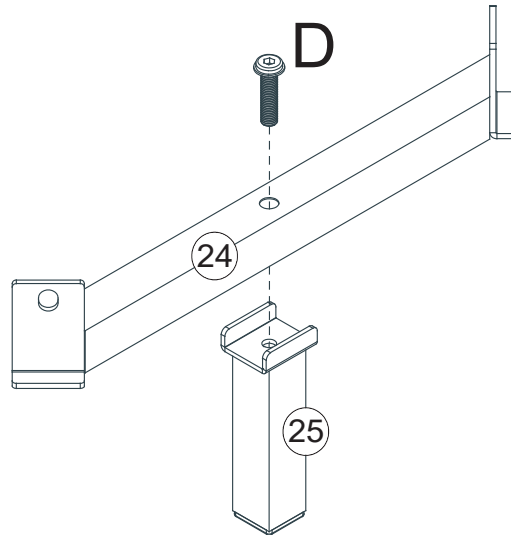
14




ASSEMBLY INSTRUCTIONS

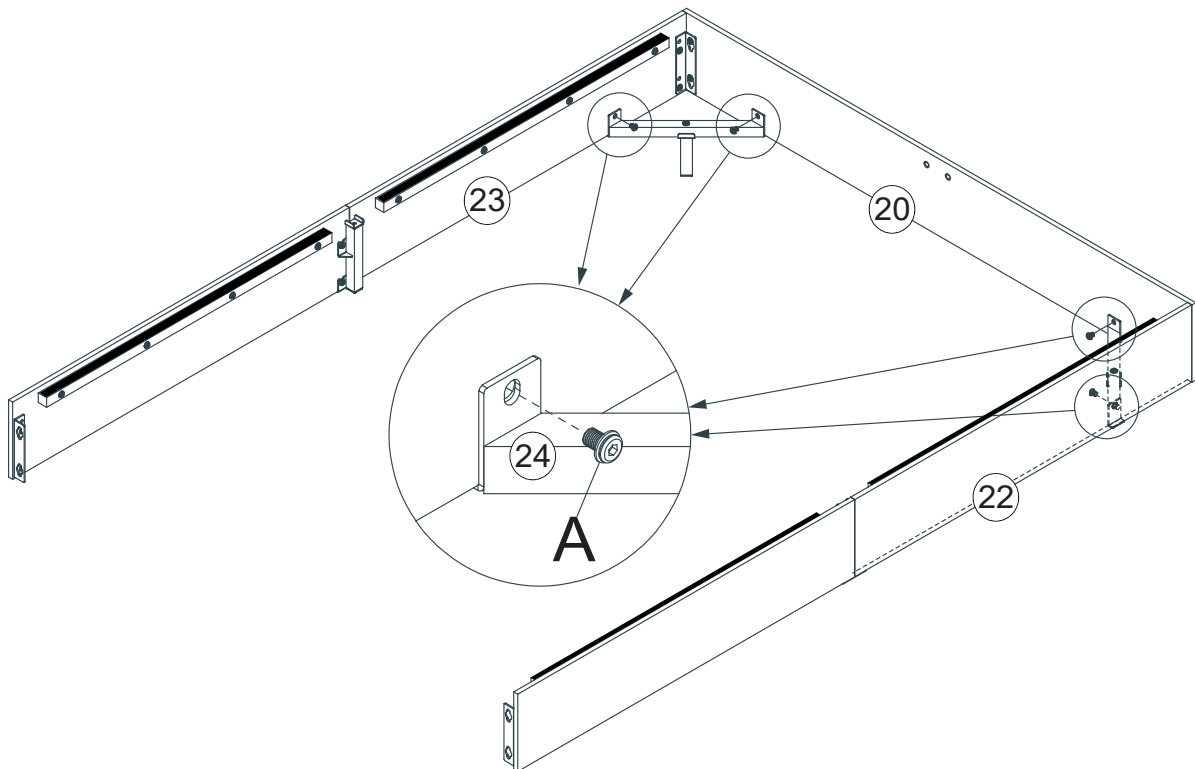
15

x2



D	 M8x33	2 pcs
---	----------------------------------------------------------------------------------------------	-------

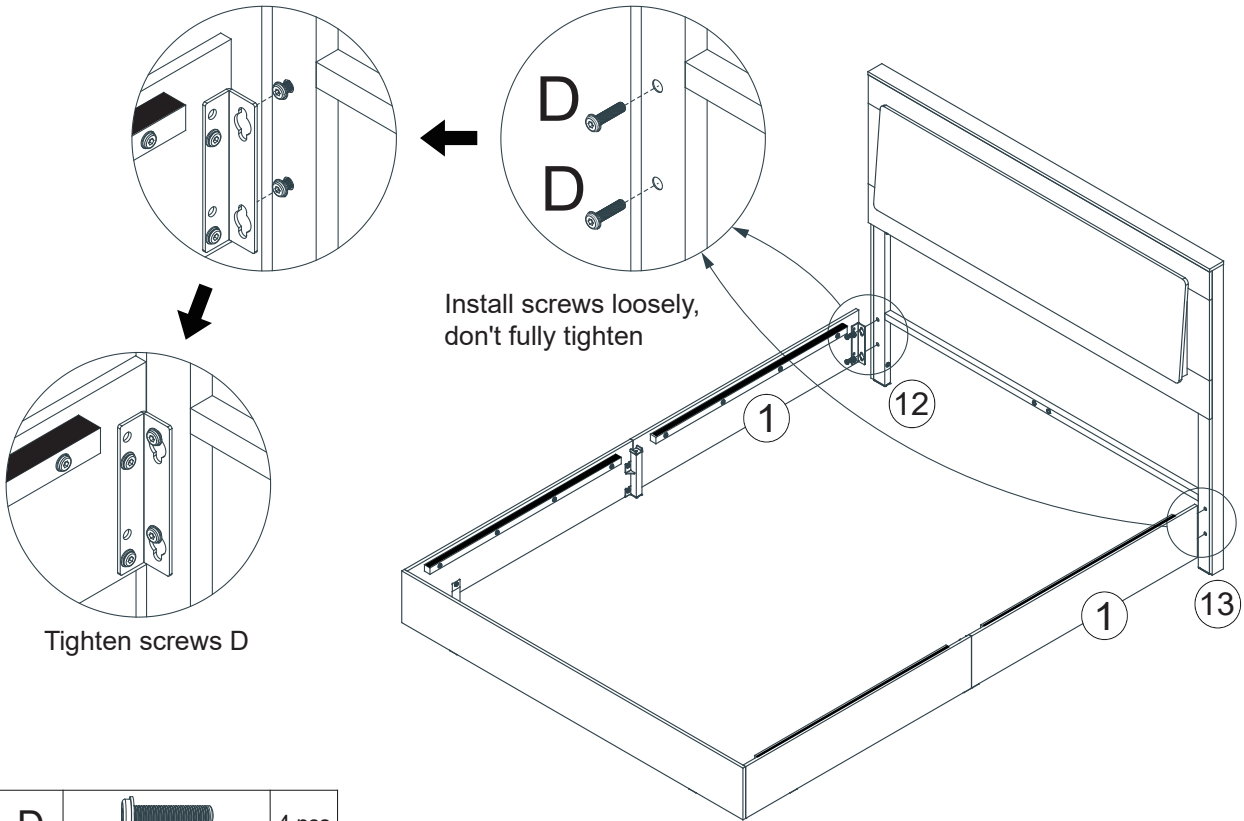
16



A	 M8x12	4 pcs
---	----------------------------------------------------------------------------------------------	-------

ASSEMBLY INSTRUCTIONS

17

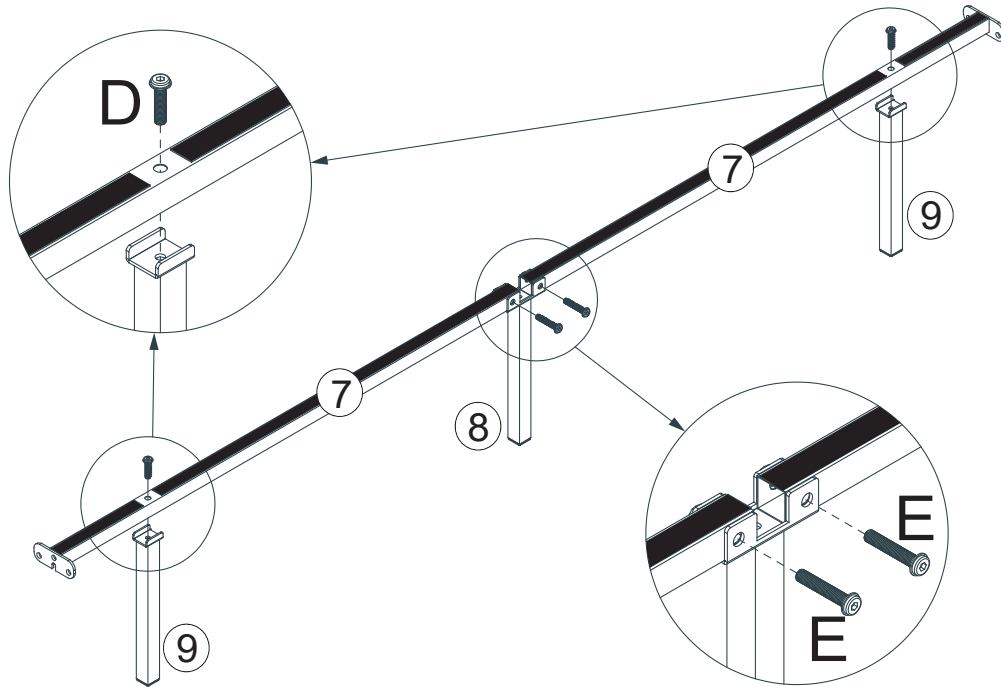




Tighten screws D

Install screws loosely,
don't fully tighten

D		4 pcs
	M8x33	

18



D		2 pcs
	M8x33	
E		2 pcs
	M8x45	

! Do not fully tighten
the screws yet.

ASSEMBLY INSTRUCTIONS

19

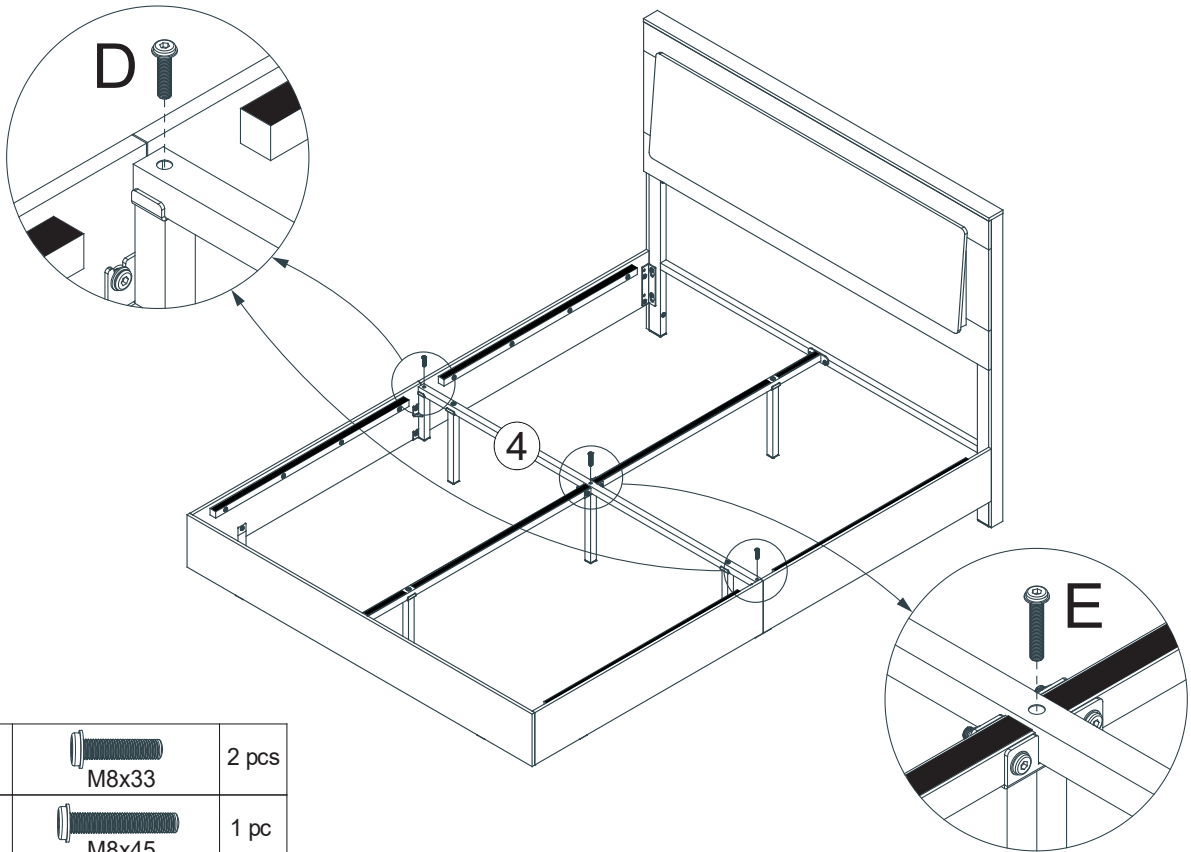
! The screws in this step need to be tightened.

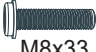

B		2 pcs	white zinc
C		2 pcs	

20

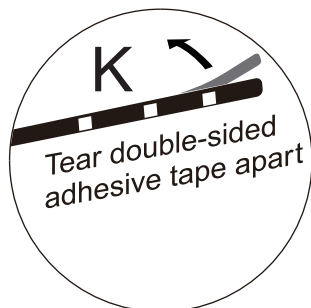
D		2 pcs	
----------	--	-------	--

21

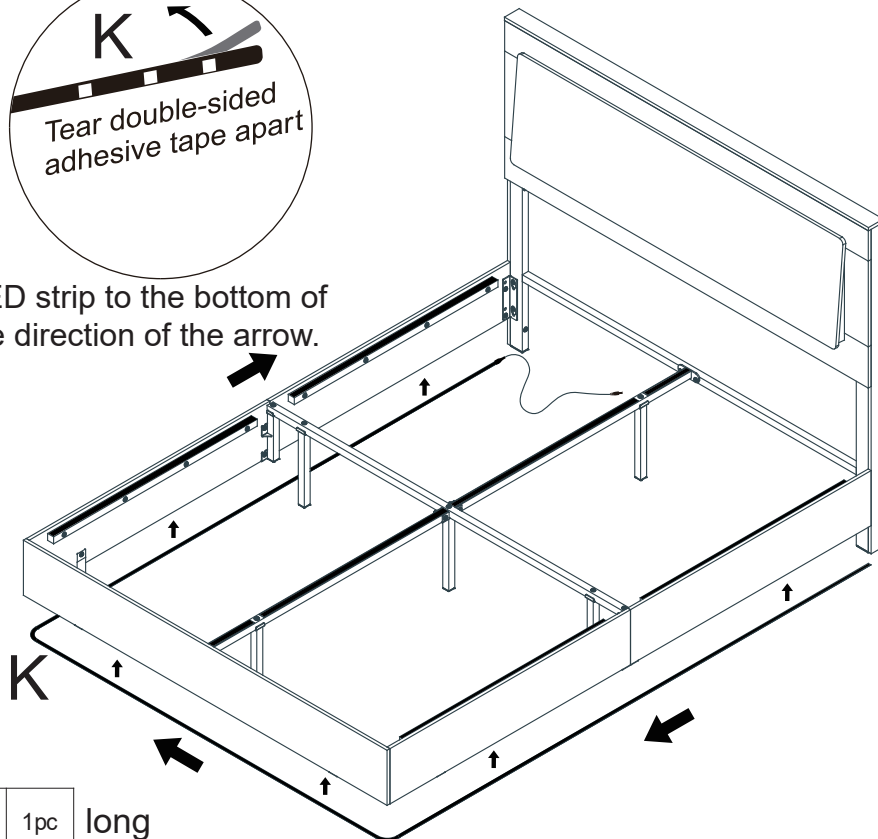


D	 M8x33	2 pcs
E	 M8x45	1 pc

22



Attach the LED strip to the bottom of the bed in the direction of the arrow.

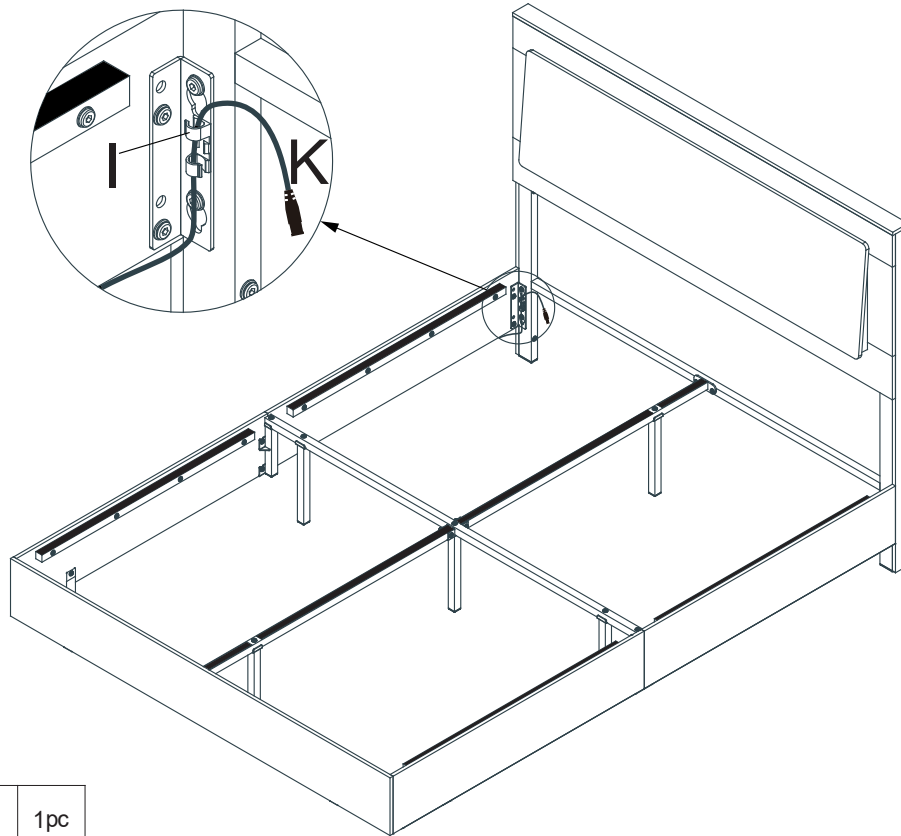



K		1pc long
---	-------------------------------------------------------------------------------------	----------

ASSEMBLY INSTRUCTIONS

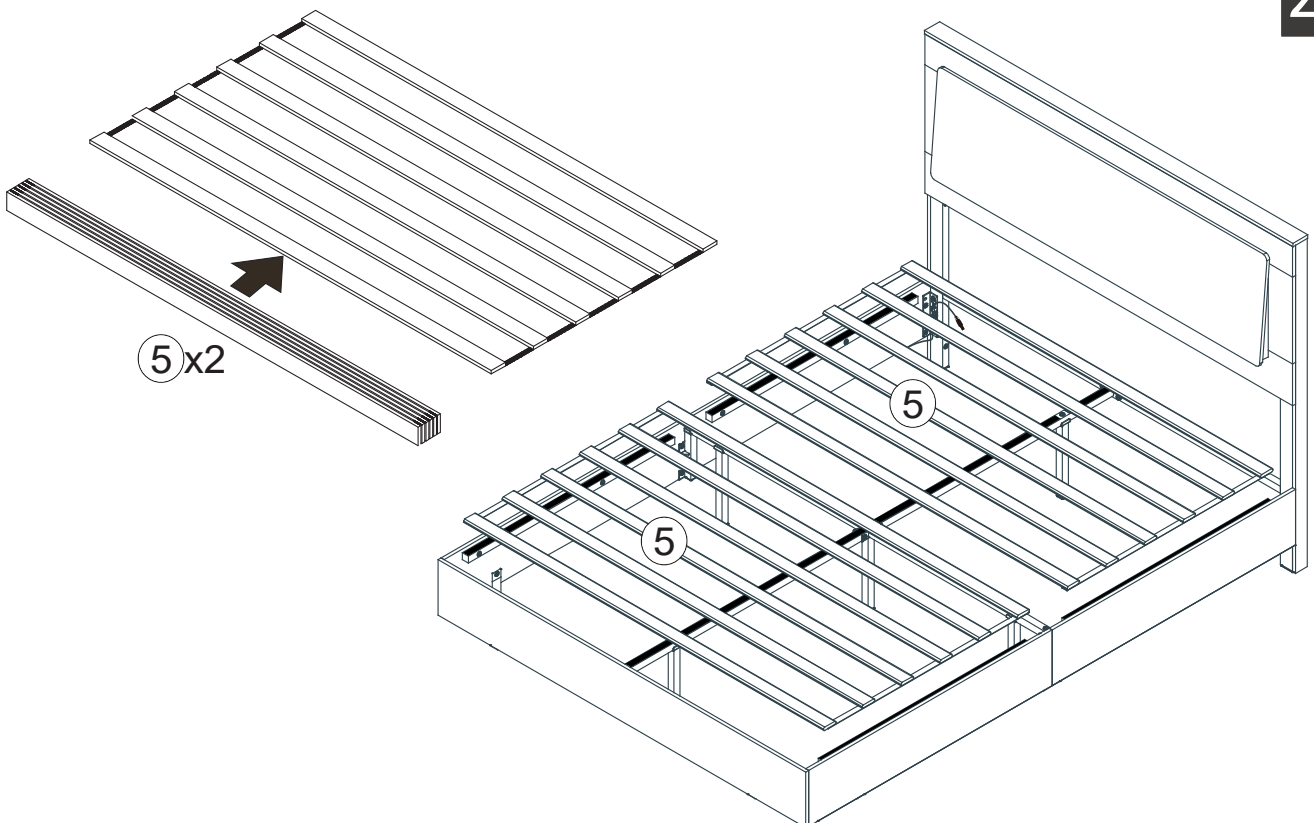
Tear off adhesive tape on Part I, then stick it to part 21. Use part I to organize cables.

23

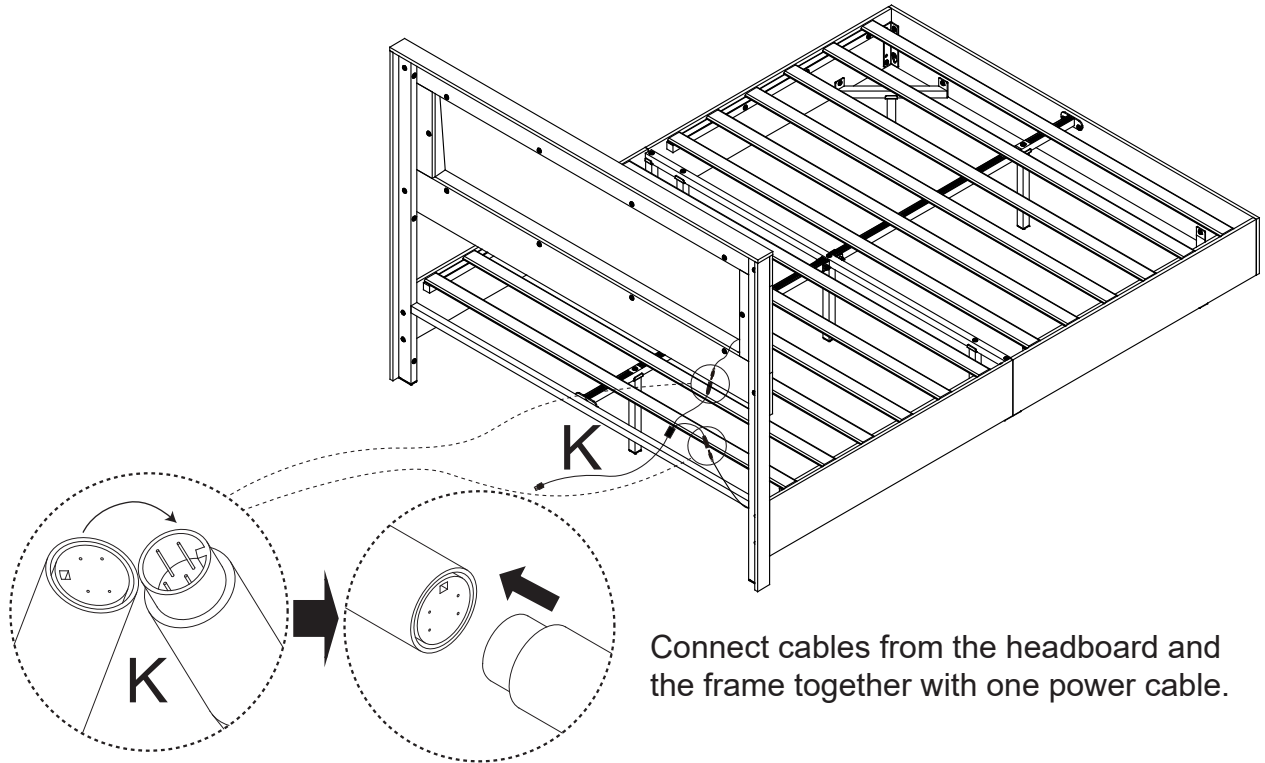


I		1pc
---	-------------------------------------------------------------------------------------	-----

24



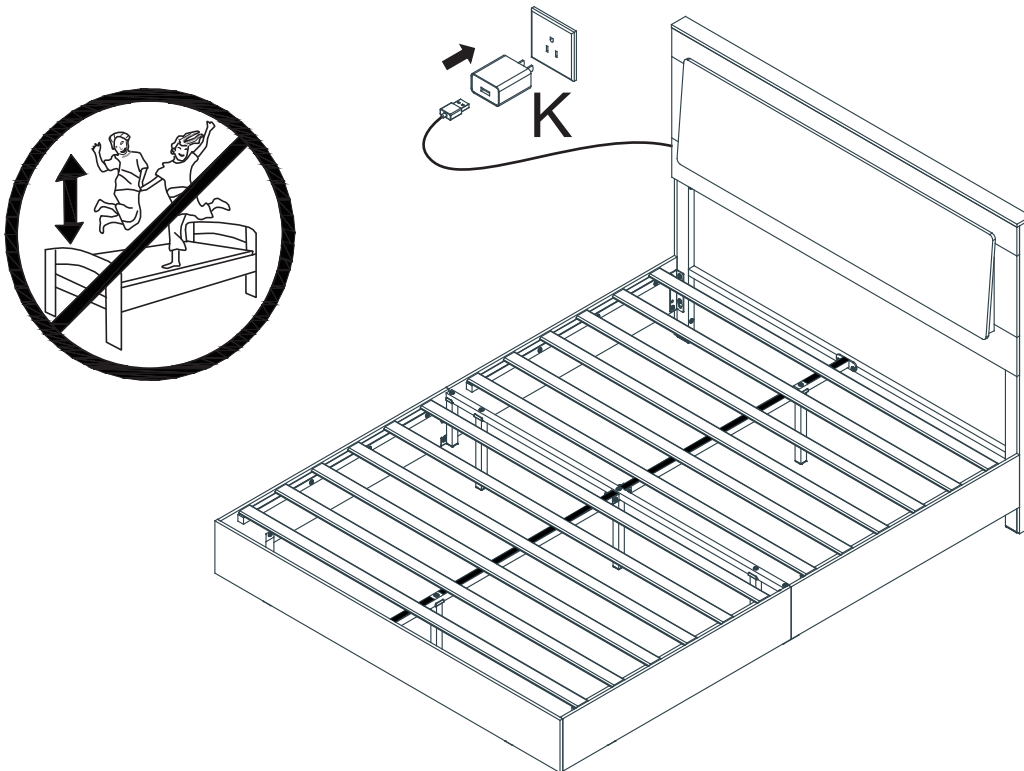
25



Connect cables from the headboard and the frame together with one power cable.

K		1pc
---	--	-----

26



Installation Complete

K		1pc
---	--	-----