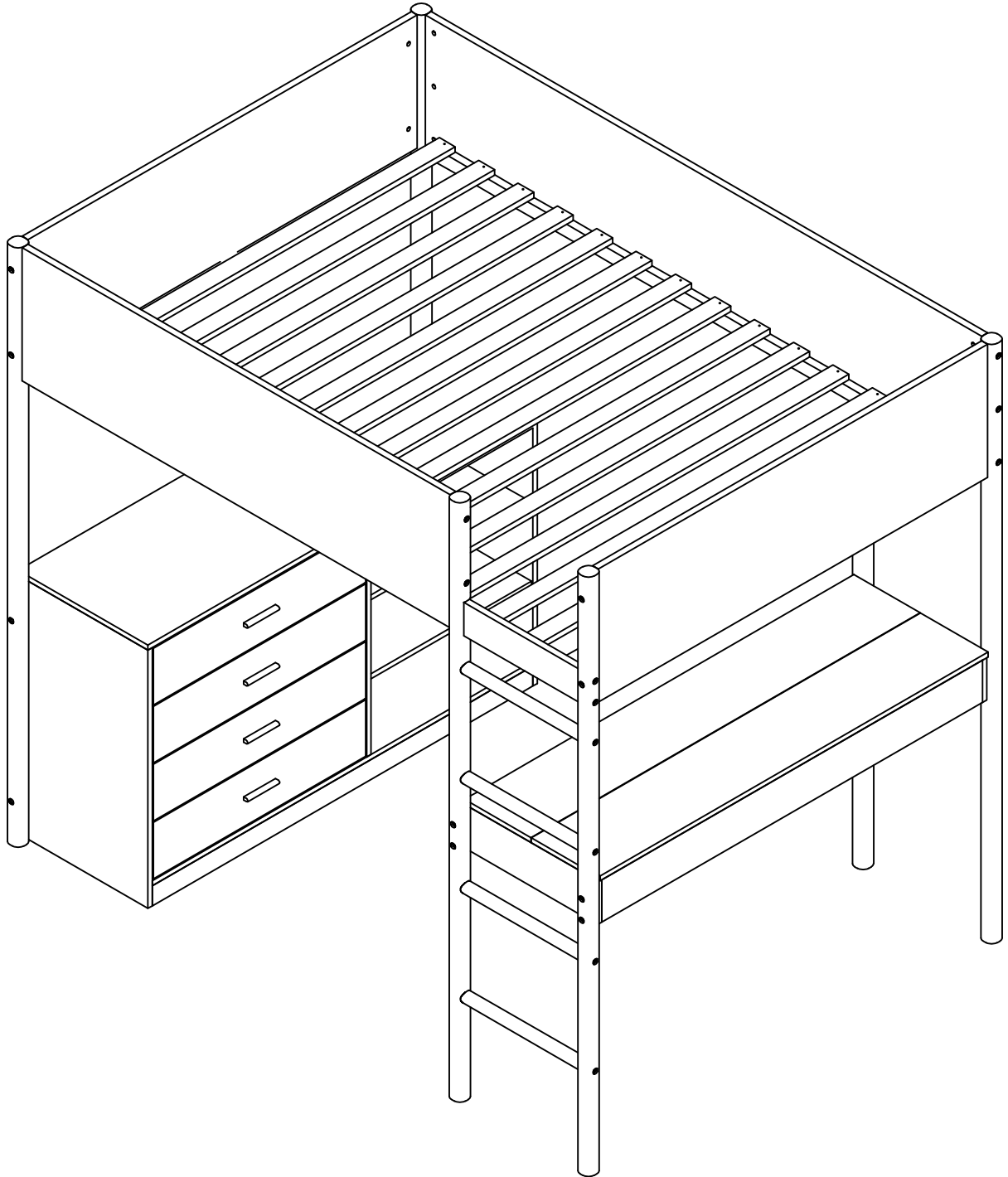


ASSEMBLY INSTRUCTION

SKU CODE: (WF315978/WF315979/WF315980)



! SAFETY WARNINGS !

1. This bed is designed for use only mattress (es) meeting the following specifications on the upper bunk

Upper bed

Bed type	Length	Width	Thickness
Twin Standard	74"- 75"	38 $\frac{1}{2}$ "	6" max

2. Replacement parts, including additional guardrails, maybe obtained from any of our (GIGACLOUD TECHNOLOGY (USA) INC, 18961 ARENTH AVENUE CITY OF INDUSTRY, CA 91748-1305) dealers

3. Follow the information the warnings appearing on the upper bunk bed end structure and on the carton. Do not remove warning label from bed

4. Always use the recommended size mattresses or mattress supports, or both, to help prevent the likelihood of the entrapment or falls.

5. Surface of mattress must be at least 5" (127mm) below the upper edge of guardrails

6. Do not allow children under 6 years of age to use the upper bunk

7. Periodically check and ensure that the guardrail, ladder, and other components are in their proper position, free from damage, and that all connectors are tight,

8. Do not allow horseplay on or under the bed and prohibit jumping on the bed.

9. Always use the ladder for entering and leaving the upper bunk.

10. Do not use substitute part. Contact the manufacture or dealer for replacement part

11. Use of a night light may provide added safety precaution for a child using the upper bunk.

12. Always use guardrails on both long sides of the upper bunk

If the bunk bed will be placed next to the wall, the guardrail that runs the full length of the bed should be placed against the wall to prevent entrapment between the bed and wall.

13. The use of water or sleep flotation mattresses is prohibited

14. STRANGULATION HAZARD -Never attach or hang items to any part of the bunk bed that are not designed for use with the bed; for example, but not limited to, hook, belts and jump ropes

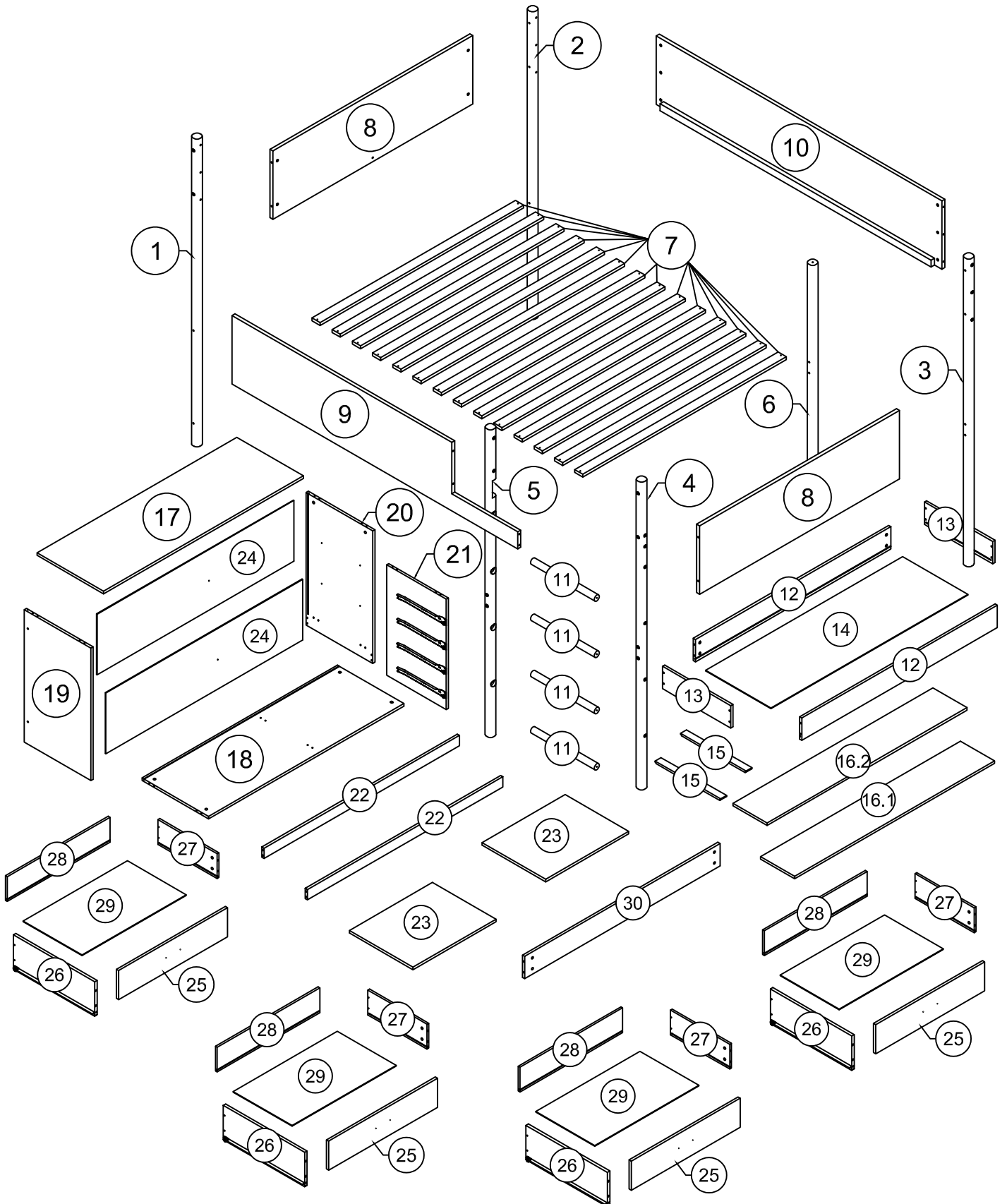
15. Keep these instruction for future reference

16. Prohibit more than one person on upper bunk

17. We recommend assembling your bunk bed on the shipping carton to protect your floor or carpet

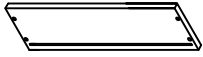
18. Be certain all staples are out of the box before beginning assembly on the shipping carton

ASSEMBLY INSTRUCTION



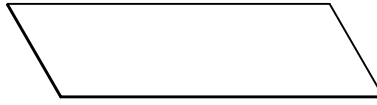
Part List (WF315980)

13



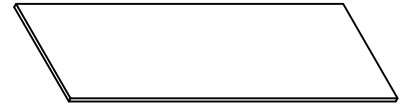
Side Panels - 2pcs

14



Bottom Plate - 1pcs

17



Upper Plate - 1pcs

18



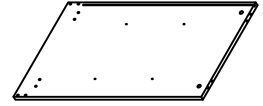
Lower Plate - 1pcs

19



Left Hip Plate - 1pcs

20



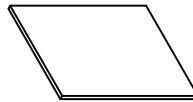
Right Hip Plate - 1pcs

21



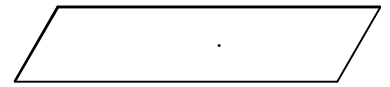
Middle Plate - 1pcs

23



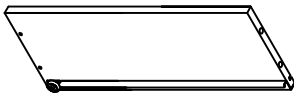
Mobile Plate - 2pcs

24



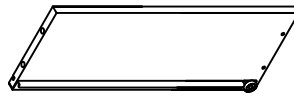
Back Panels - 2pcs

26



Draws - Side Panels - 4pcs

27



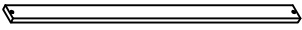
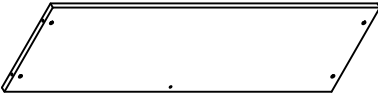
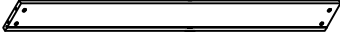
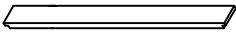
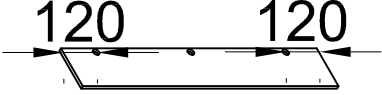
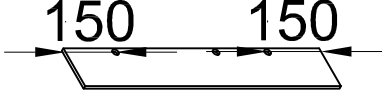

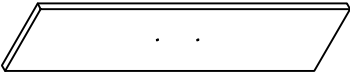

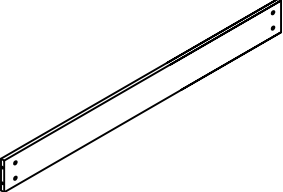
Draws - Side Panels - 4pcs

29

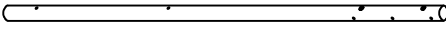
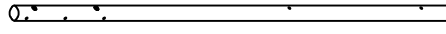
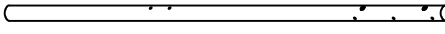
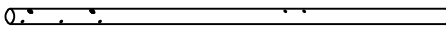
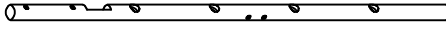
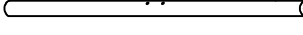
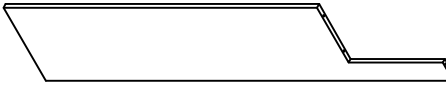

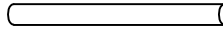


Draws - Bottom Panels - 4pcs

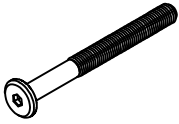
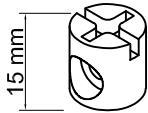
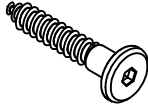
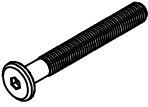



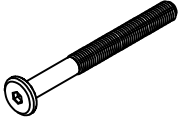

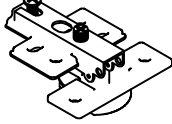


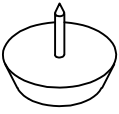
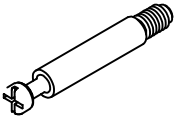
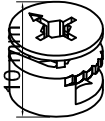
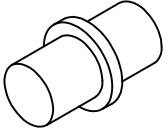
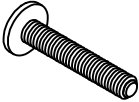
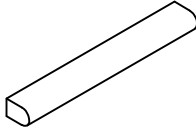

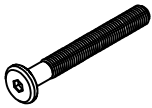
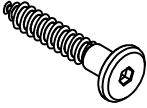

Part List (WF315979)

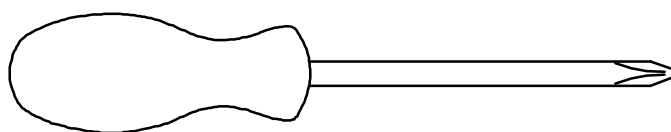
<p>7</p>  <p>Slats - 14pcs</p>	<p>8</p>  <p>Side Rails - 2pcs</p>	<p>12</p>  <p>Side Panels - 2pcs</p>
<p>15</p>  <p>Support Bottom Plate -2pcs</p>	<p>16-1</p>  <p>Cabinet Door - 2pcs</p>	<p>16.2</p>  <p>Cabinet Door - 1pc</p>
<p>22</p>  <p>Cabinet Legs - 2pcs</p>	<p>25</p>  <p>Draws - Font Panels - 4pcs</p>	<p>28</p>  <p>Draws - Back Panels - 4pcs</p>
<p>30</p>  <p>Desk mid panels - 1pc</p>		

Part List (WF315978)

<p>1</p>  <p>Legs 1 - 1pcs</p>	<p>2</p>  <p>Legs 2 - 1pcs</p>	<p>3</p>  <p>Legs 3 - 1pcs</p>
<p>4</p>  <p>Legs 4 - 1pcs</p>	<p>5</p>  <p>Legs 5 - 1pcs</p>	<p>6</p>  <p>Legs 6 - 1pcs</p>
<p>9</p>  <p>Font Side Rails - 1pcs</p>	<p>10</p>  <p>Back Side Rails - 1pcs</p>	<p>11</p>  <p>Step - 4pcs</p>

Hardware List (WF315979)

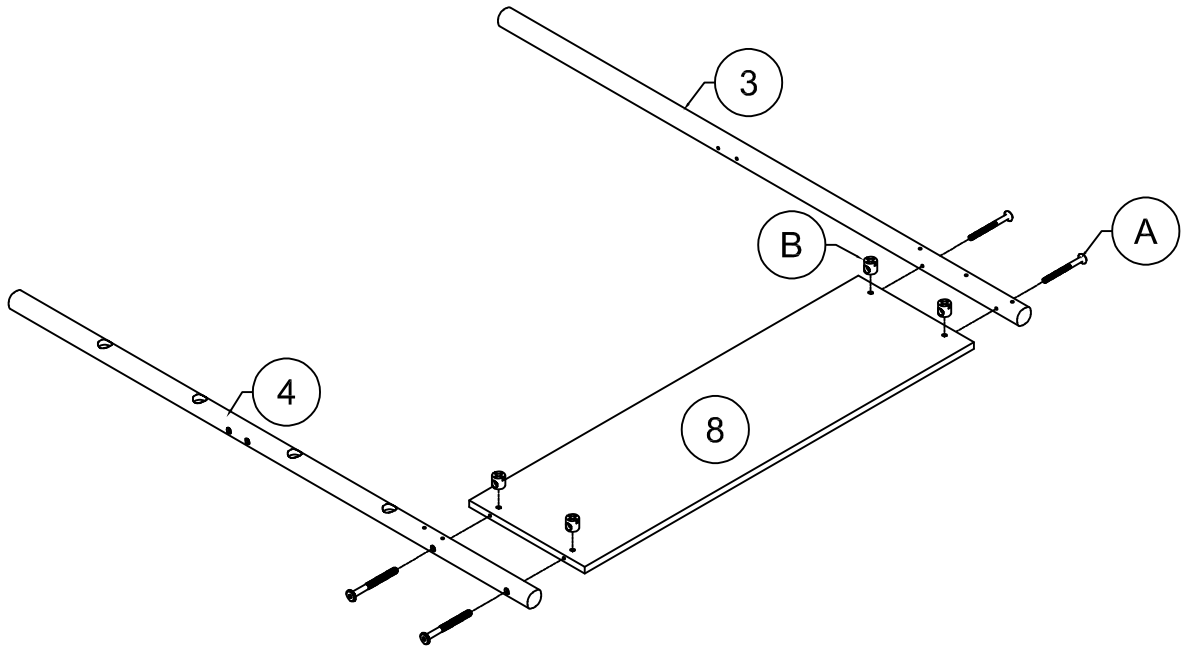
<p>A</p>  <p>1/4" x 80mm Hex-Head bolts 21pcs</p>	<p>B</p>  <p>1/4" x 15mm Horizontal -Hole bolts 21pcs</p>	<p>C</p>  <p>1/4" x 80mm Wood Screws 8pcs</p>	<p>D</p>  <p>1/4" x 60 mm Hex-Head bolts 4pcs</p>
<p>E</p>  <p>M4 x 20 mm Wood Screws 13pcs</p>	<p>F</p>  <p>M4 x 30 mm Wood Screws 44pcs</p>	<p>G</p>  <p>Ø10 x 40mm Wood Dowel 1pcs</p>	<p>H</p>  <p>1/4" x 100 mm Hex-Head bolts 8pcs</p>
<p>I</p>  <p>1/4" x 13mm Horizontal -Hole bolts 12pcs</p>	<p>K</p>  <p>Hinge 6pcs</p>	<p>L</p>  <p>M3.5 x 12 mm Wood Screws 36pcs</p>	<p>M</p>  <p>Ø8 x 30mm Wood Dowel 20pcs</p>
<p>N</p>  <p>Plastic Legs 8pcs</p>	<p>O</p>  <p>Link 1 - 32 pcs</p>	<p>P</p>  <p>Link 2 - 32 pcs</p>	<p>Q</p>  <p>Support Pin 8pcs</p>
<p>R</p>  <p>M4 x 18 mm Hex-Head bolts 8pcs</p>	<p>S</p>  <p>Handle Steel 4pcs</p>	<p>T</p>  <p>Allen Key 1pcs</p>	<p>D1</p>  <p>1/4" x 50 mm Hex-Head bolts 4pcs</p>
<p>U</p>  <p>1/4" x 30mm Wood Screws 1pc</p>	<p>V</p>  <p>Sticker 1pc</p>		



Assembly Tools Required (Not Included)

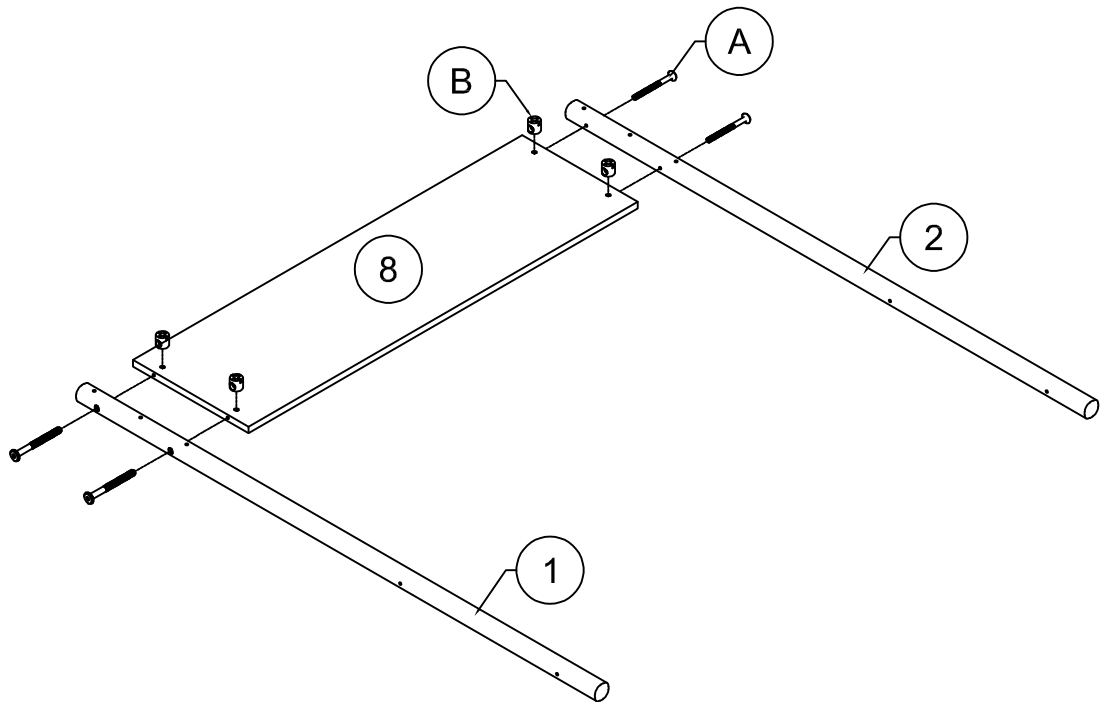
STEP 1: Following below illustration:

A	B
4pcs	4pcs



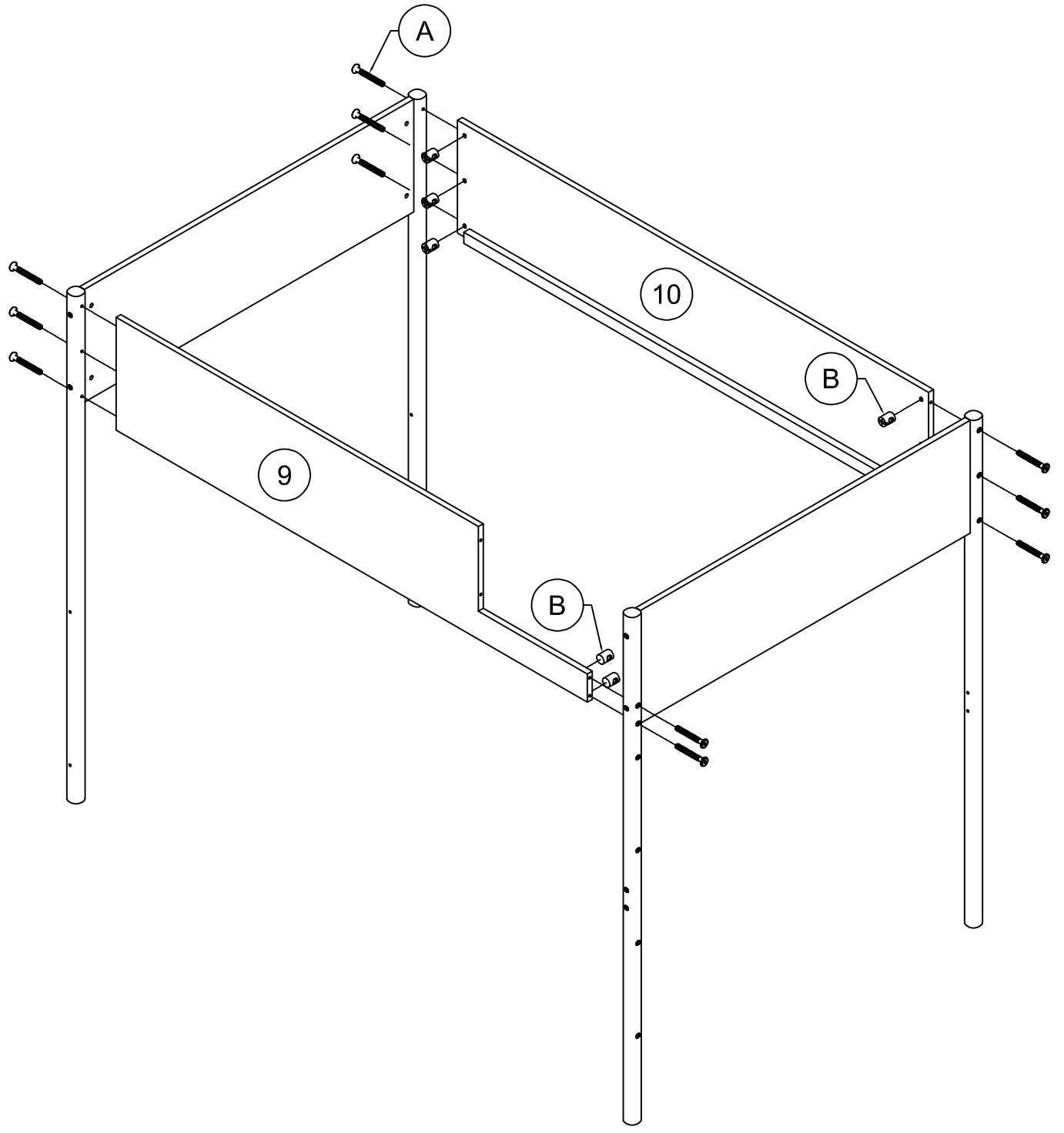
STEP 2: Following below illustration:

A	B
4pcs	4pcs



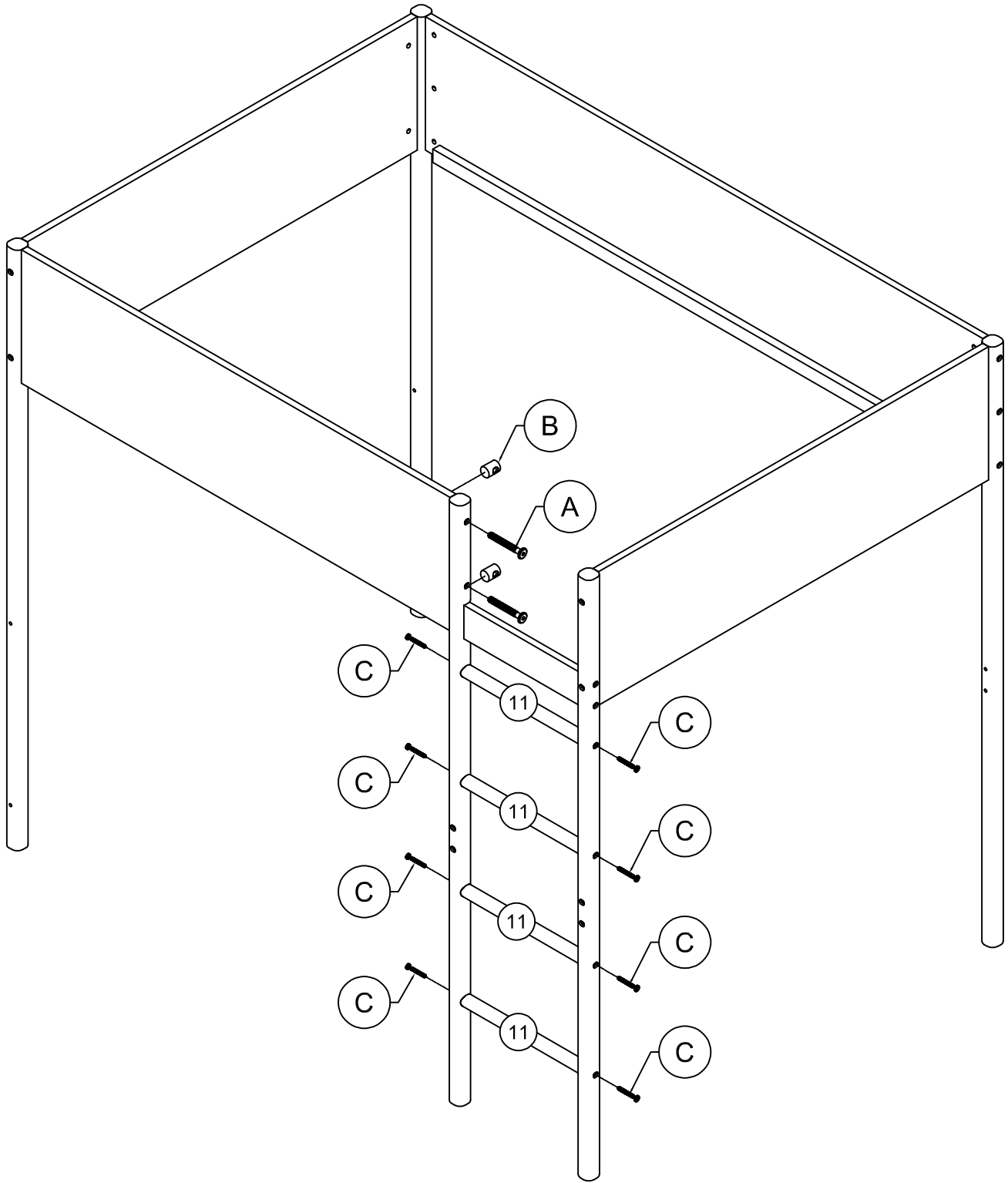
STEP 3: Following below illustration:

A	B
11pcs	11pcs



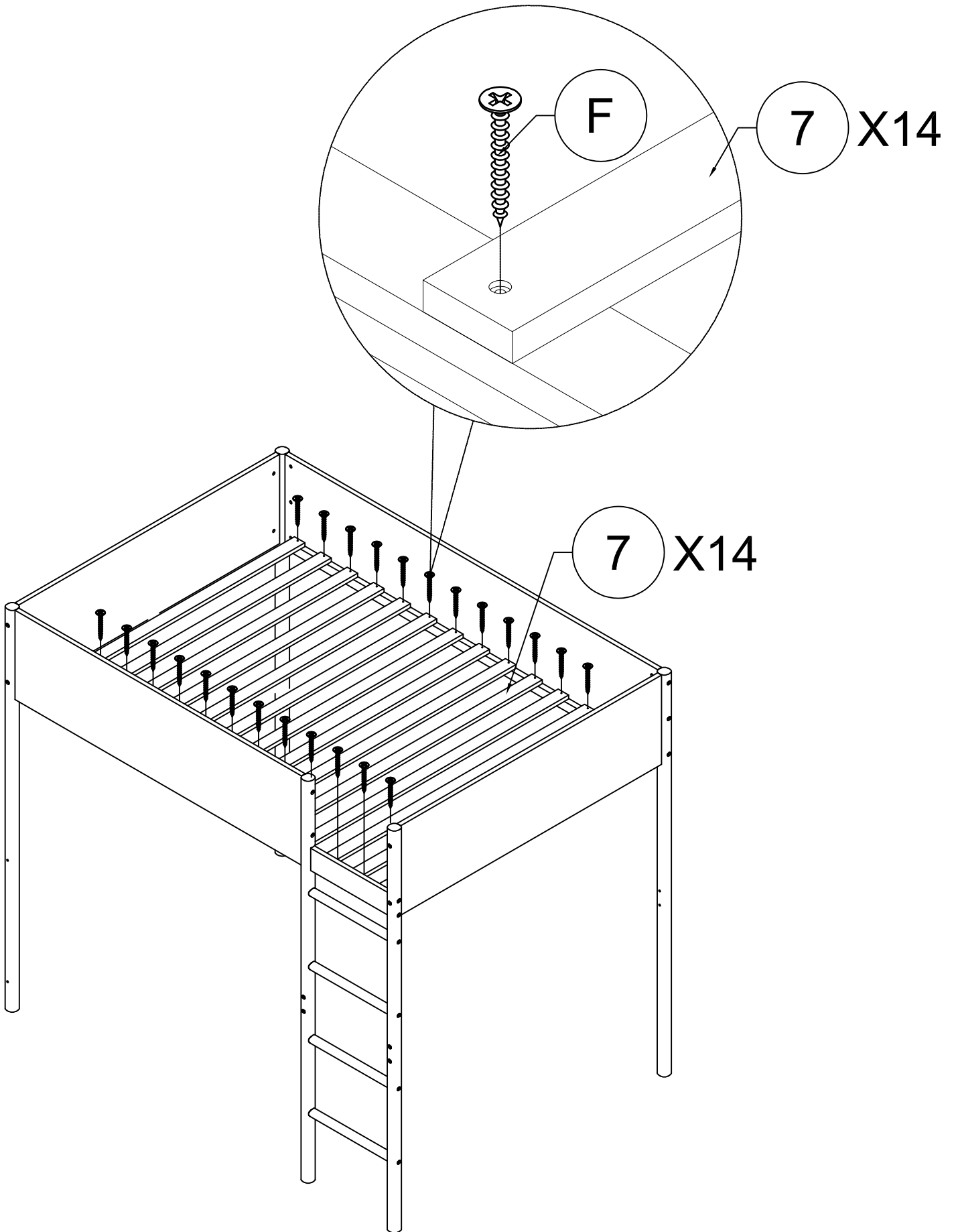
STEP 4: Following below illustration:

A	B	C
2pcs	2pcs	8pcs

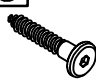



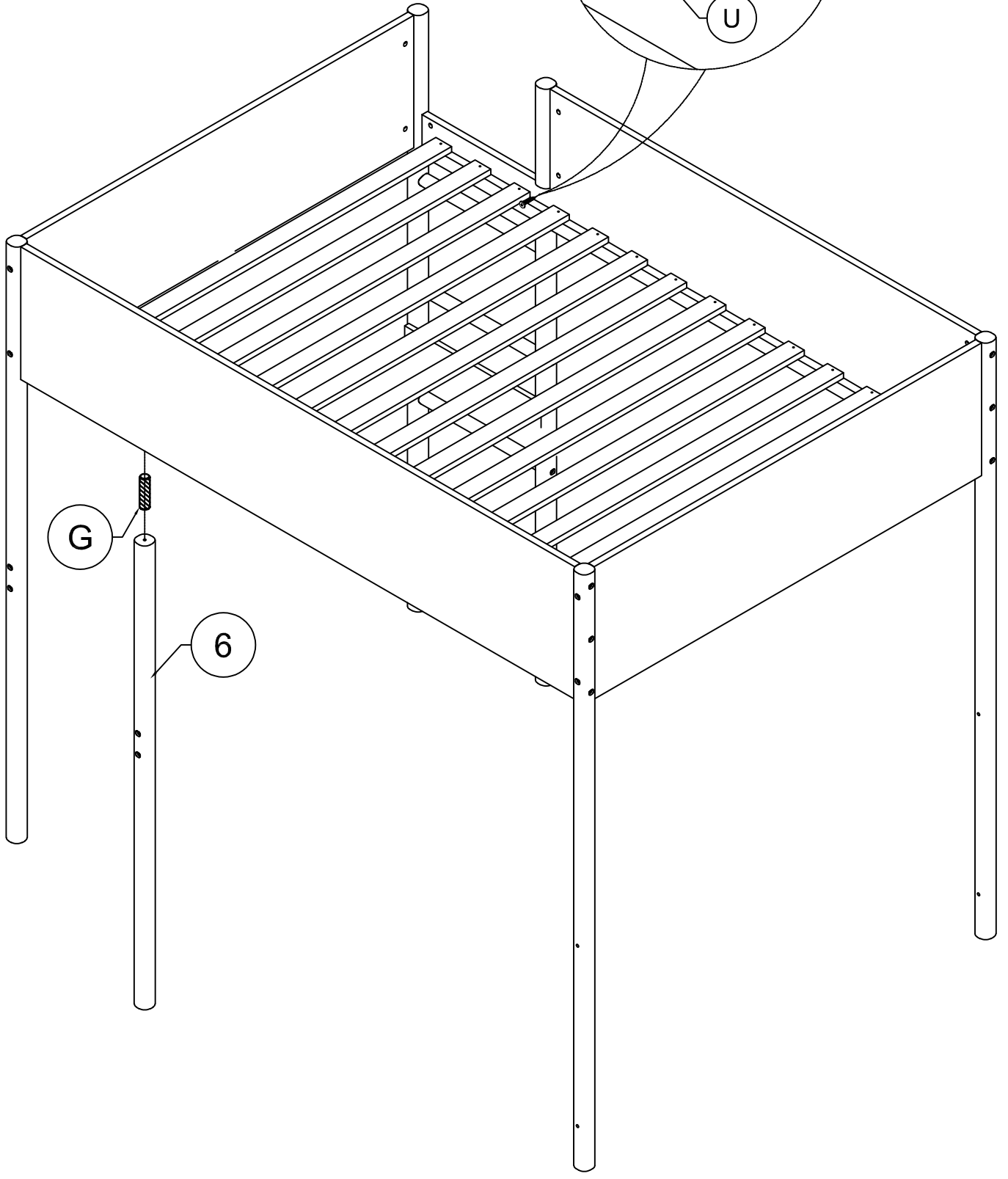
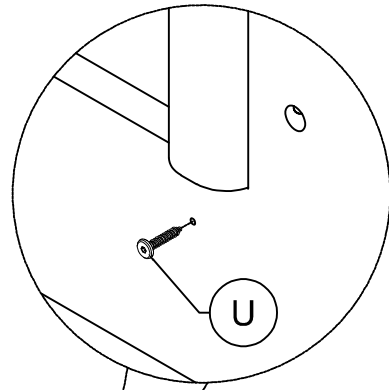
STEP 5: Following below illustration:

F
28pcs





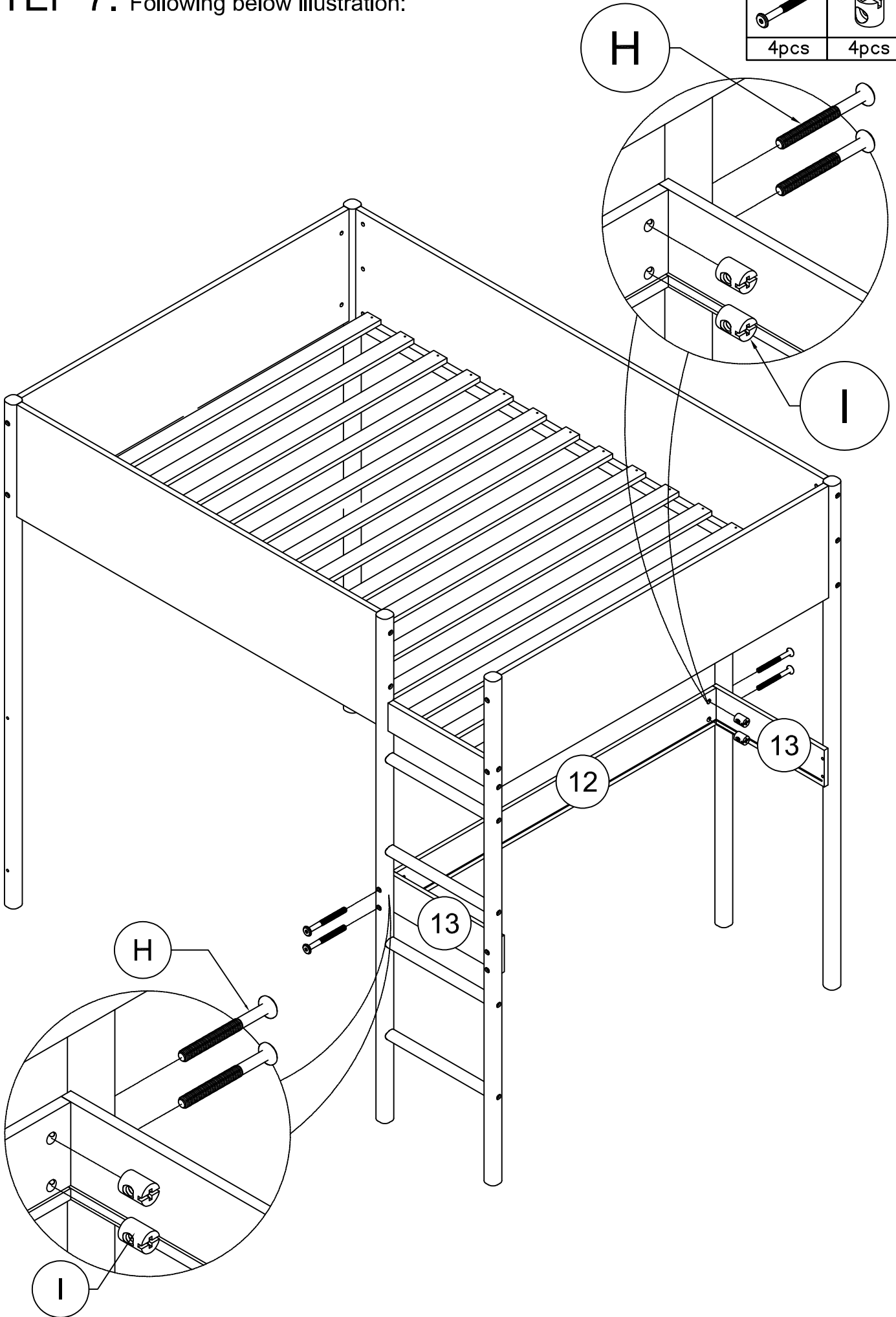
STEP 6: Following below illustration:

U	G
	
1pc	1pcs





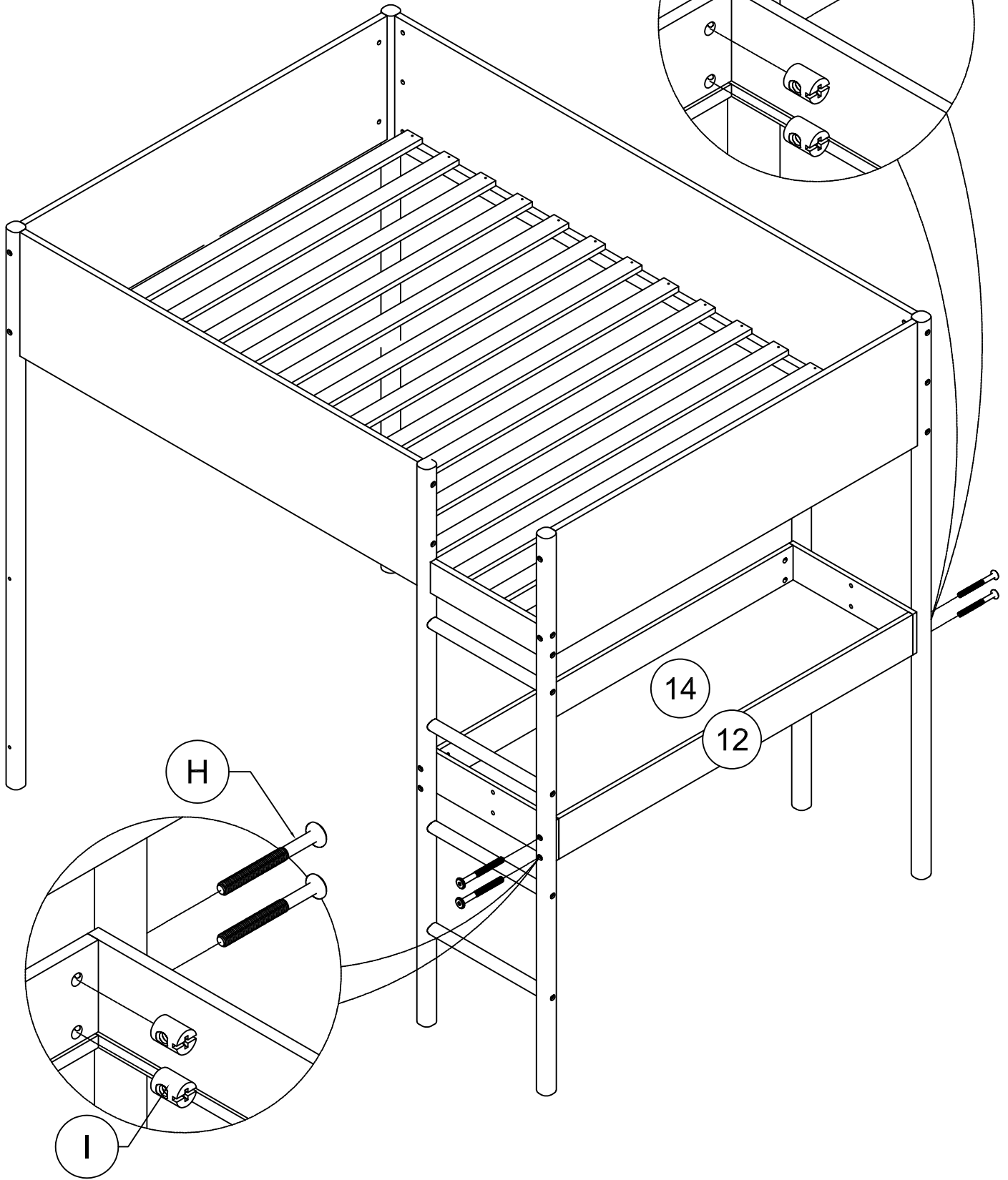
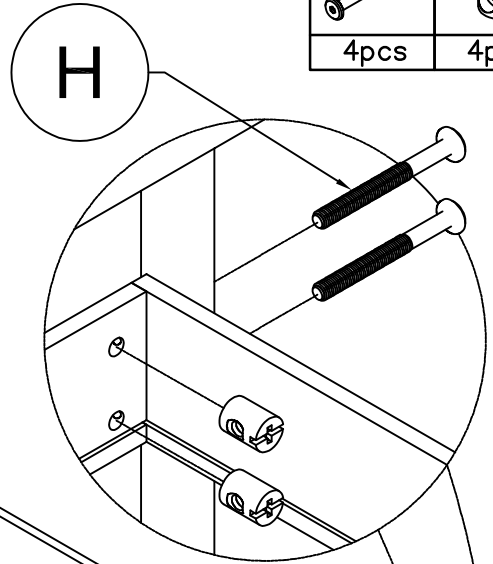
STEP 7: Following below illustration:

H	I
	
4pcs	4pcs

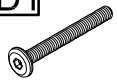



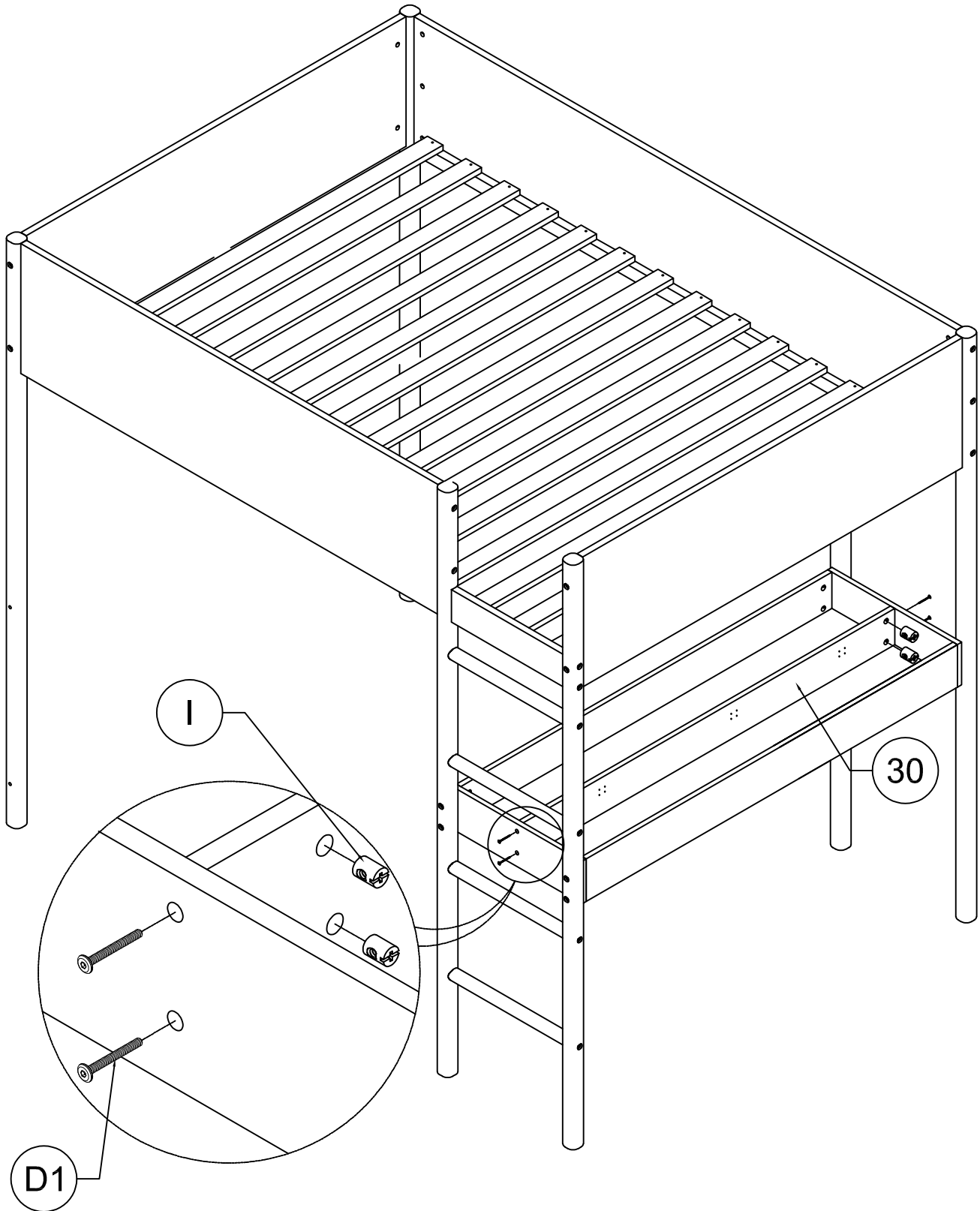
STEP 8: Following below illustration:

H	I
	
4pcs	4pcs

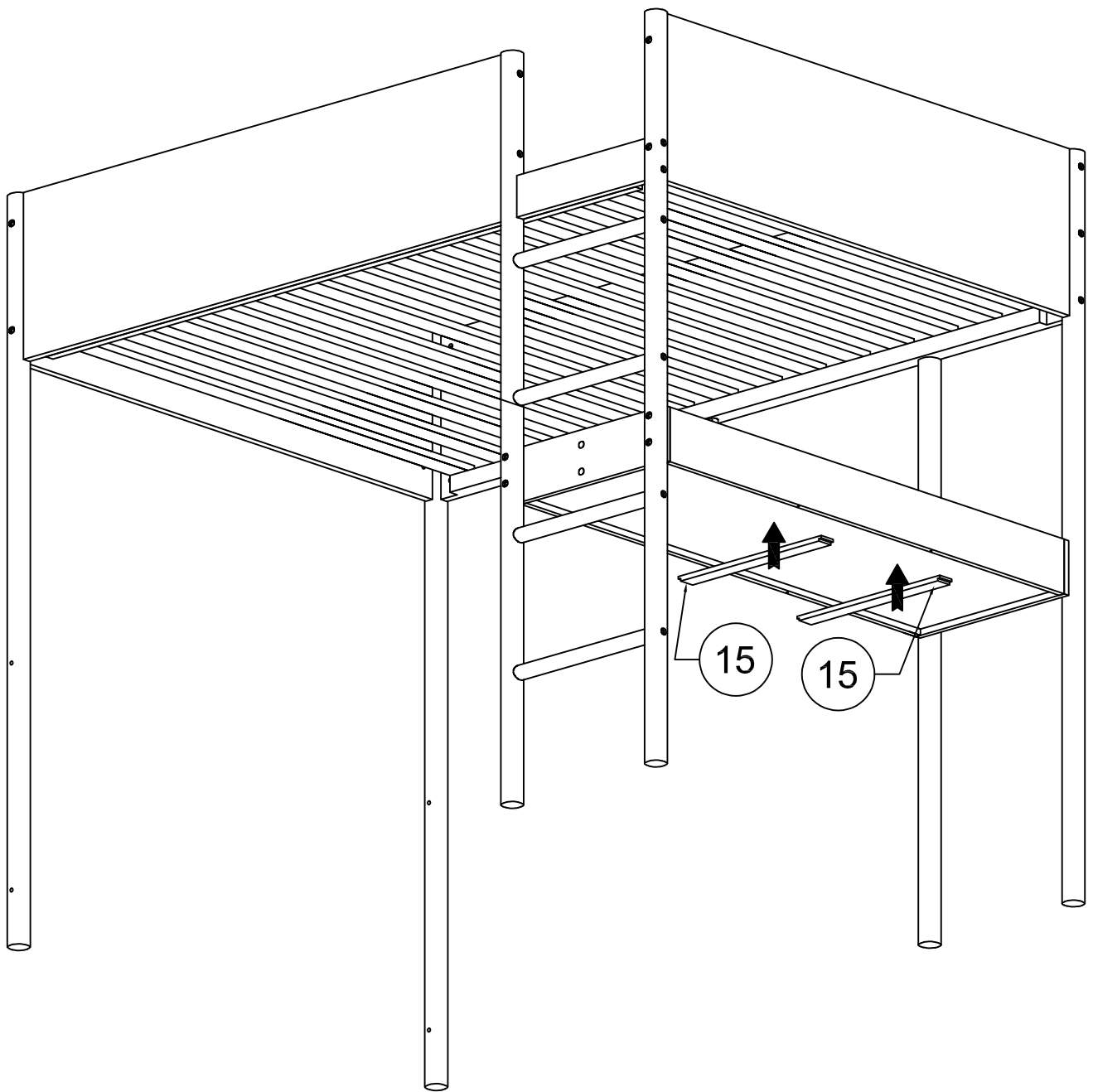


STEP 9: Following below illustration:


D1	I
	
4pcs	4pcs

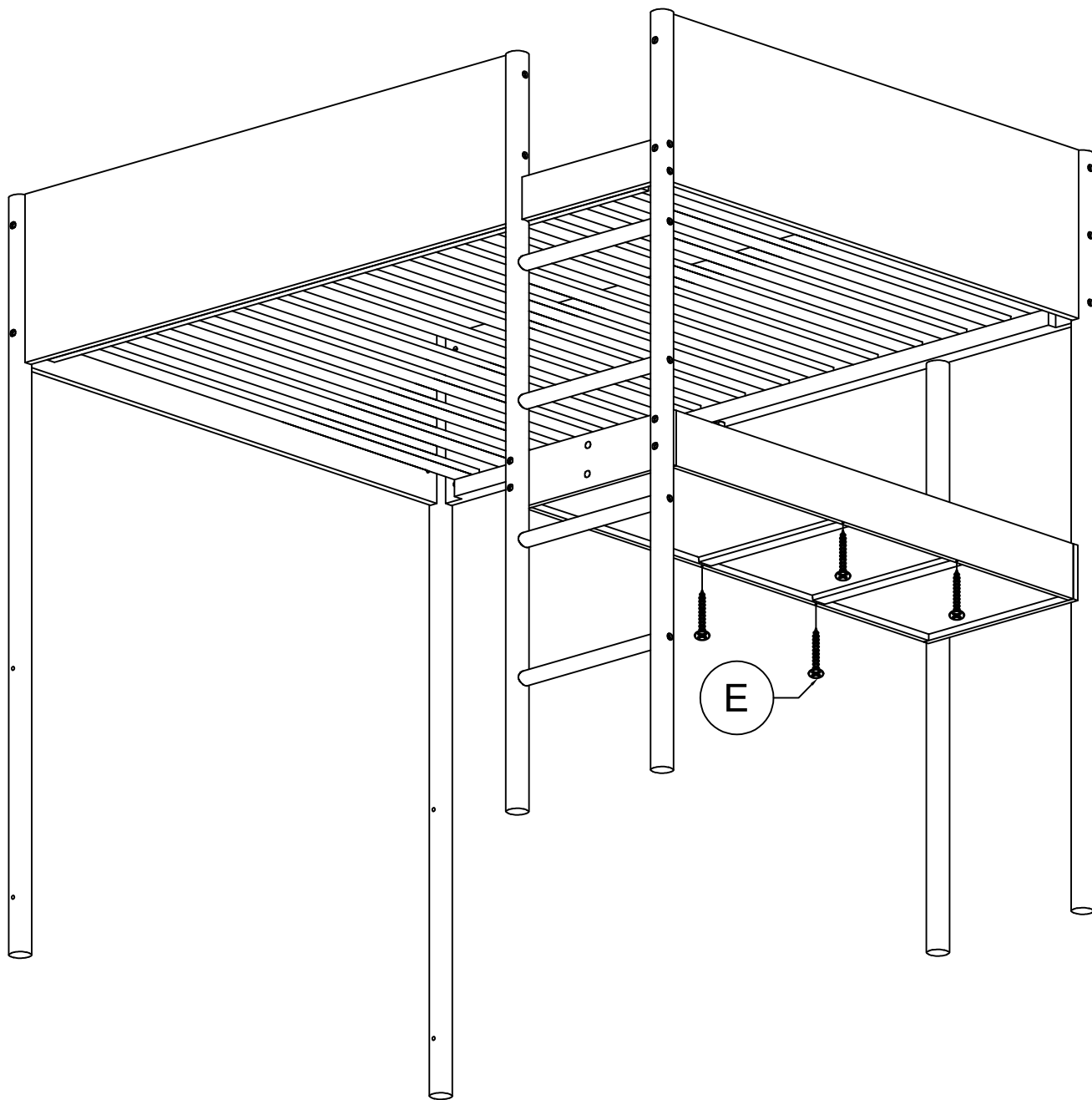


STEP 10-1: Following below illustration:

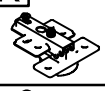



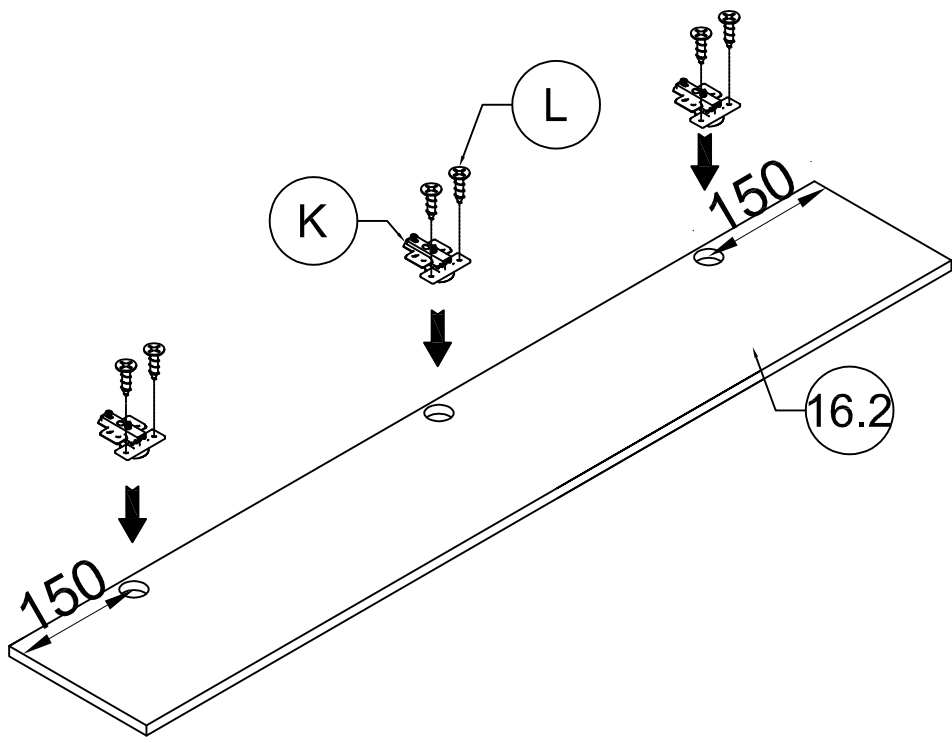
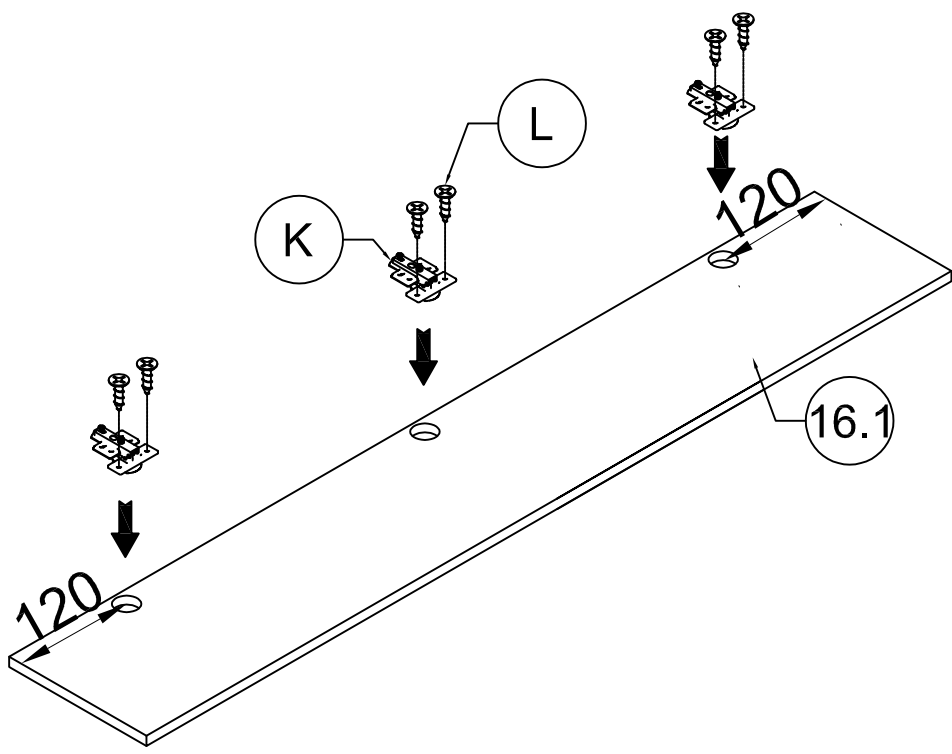
STEP 10-2: Following below illustration:

E	
4pcs	



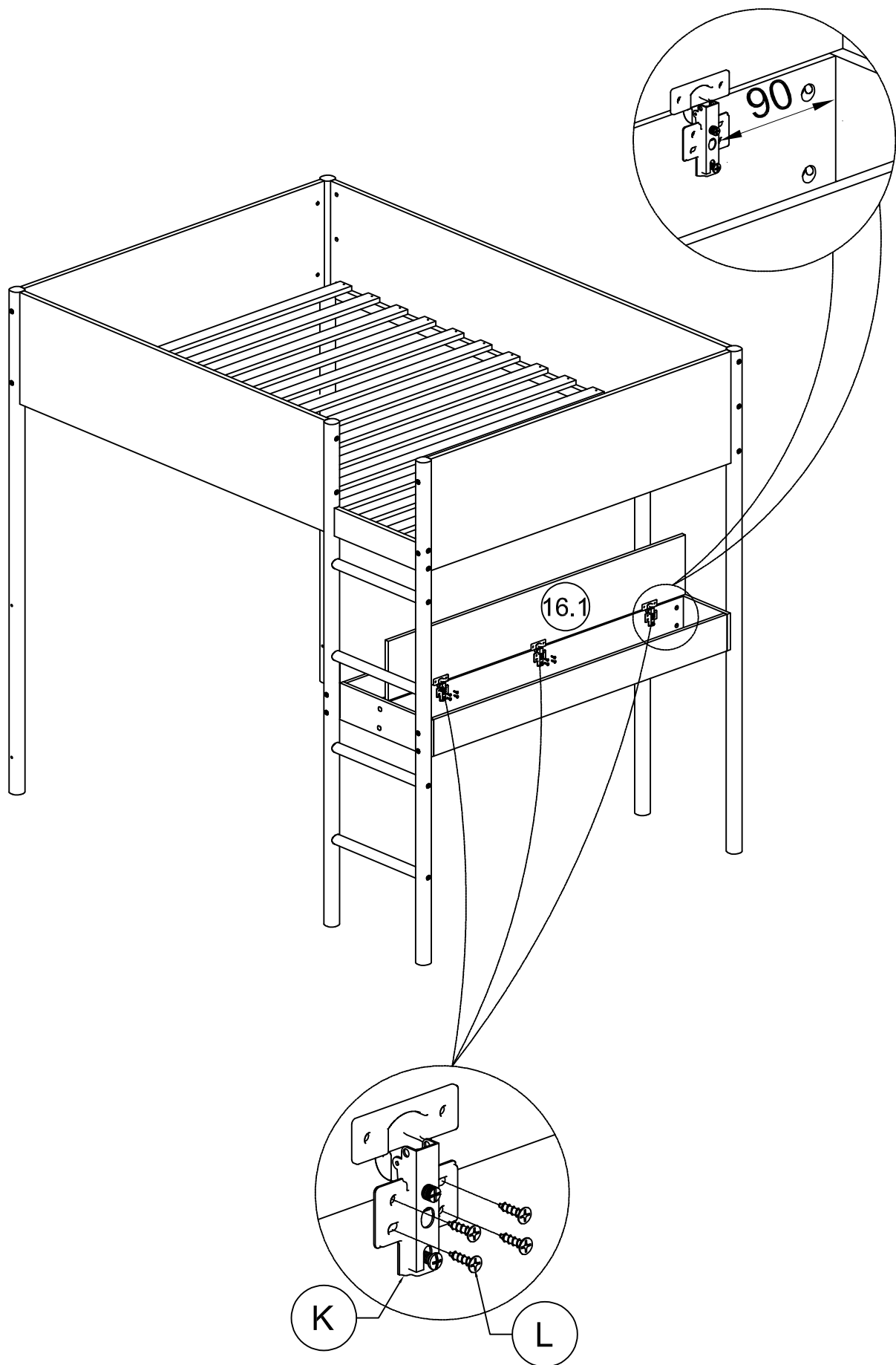
STEP 11: Following below illustration:

K	L
	
6pcs	12pcs



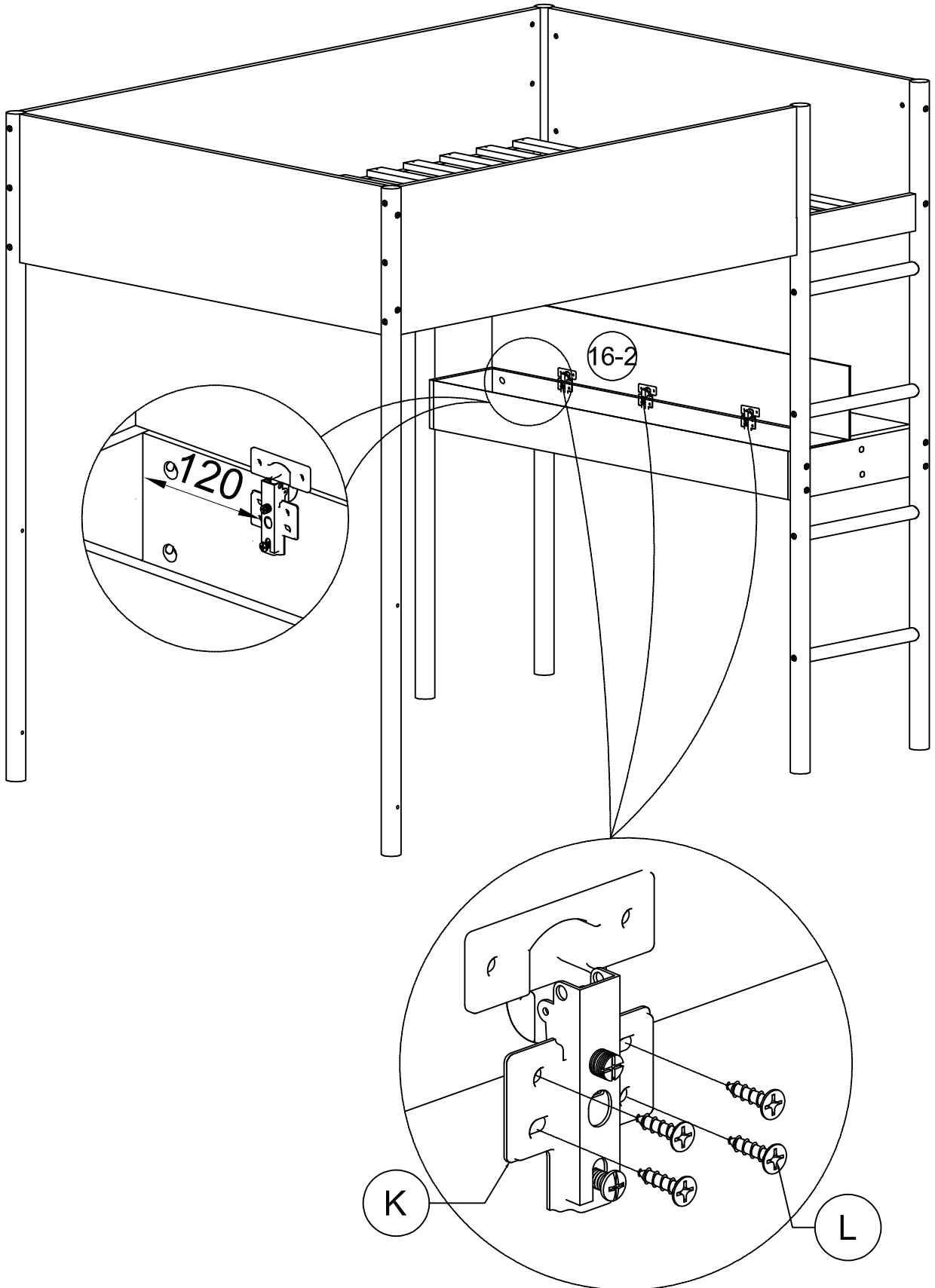
STEP 12: Following below illustration:

L
12pcs





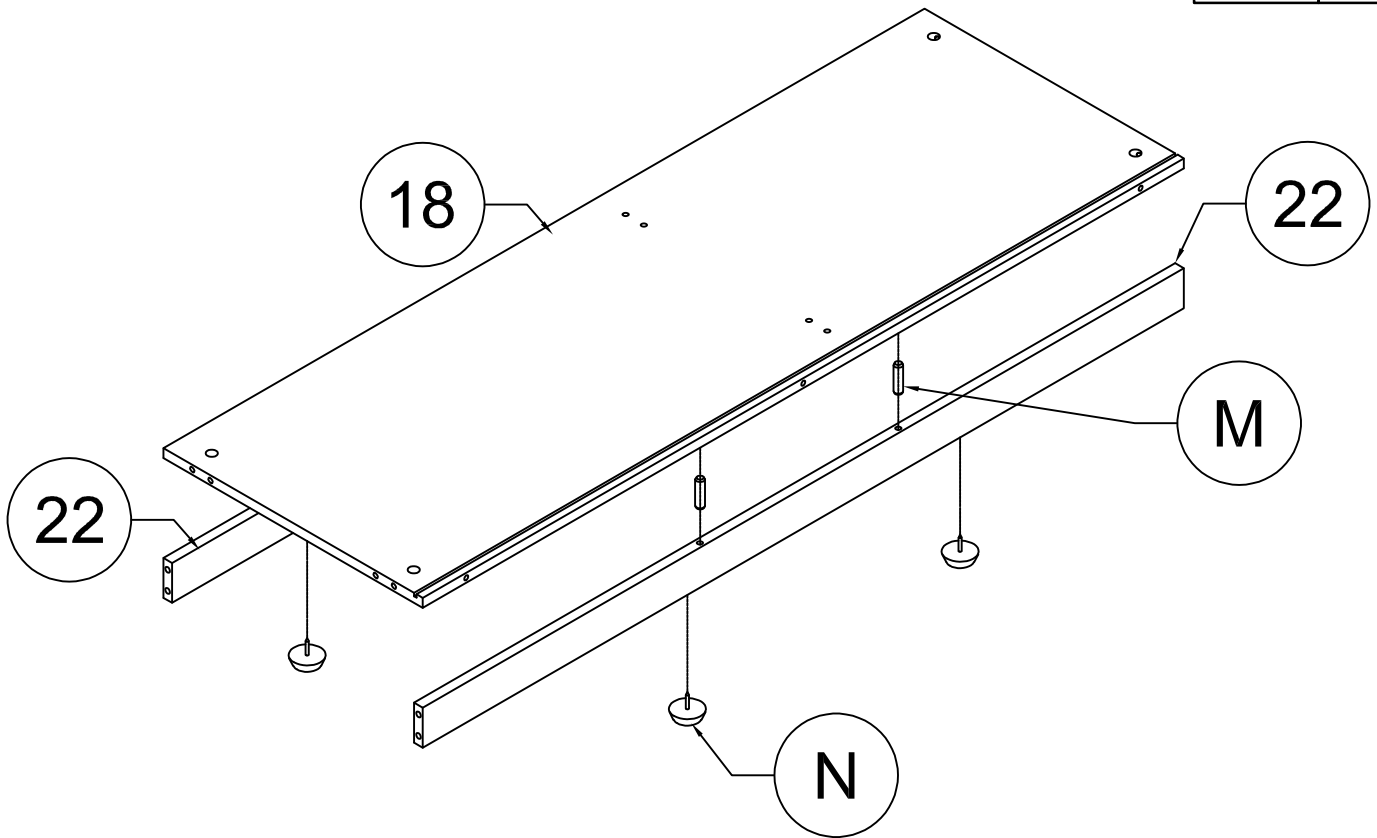
STEP 13: Following below illustration:

L
12pcs







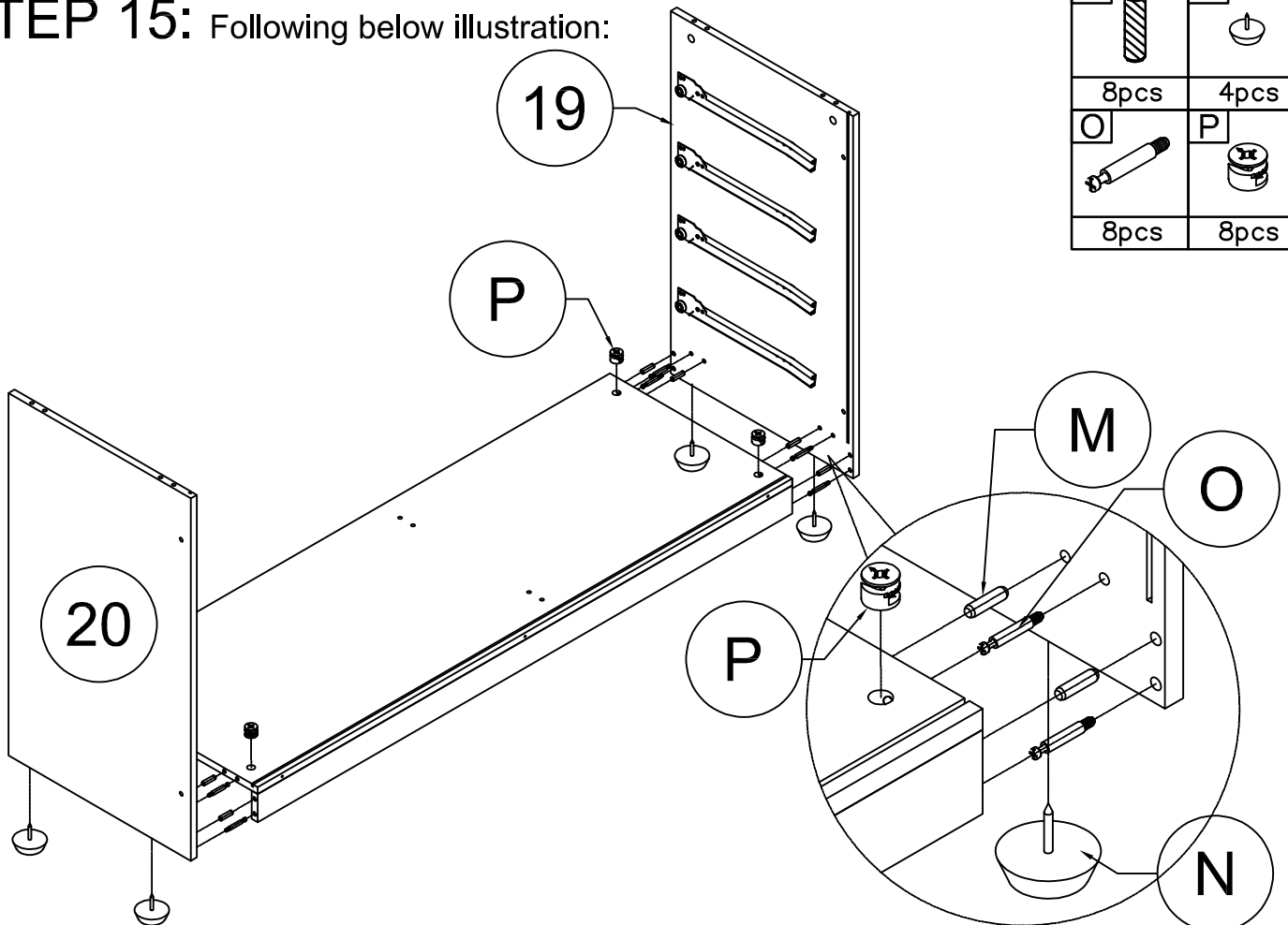
STEP 14: Following below illustration:

M		N	
	4pcs		4pcs

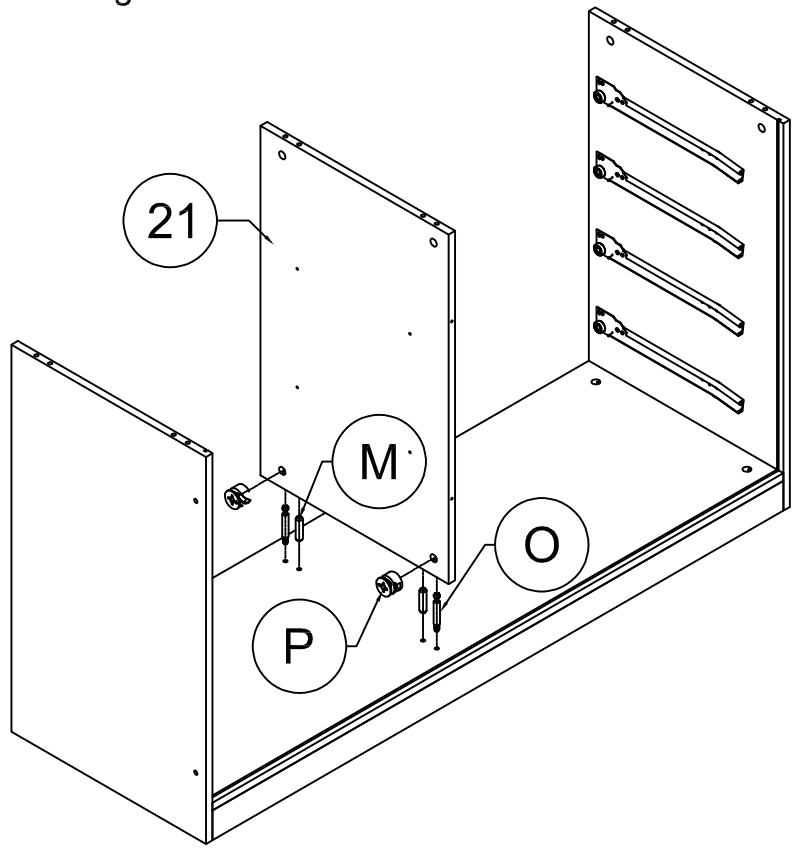





STEP 15: Following below illustration:

M		N	
	8pcs		4pcs
O		P	
	8pcs		8pcs

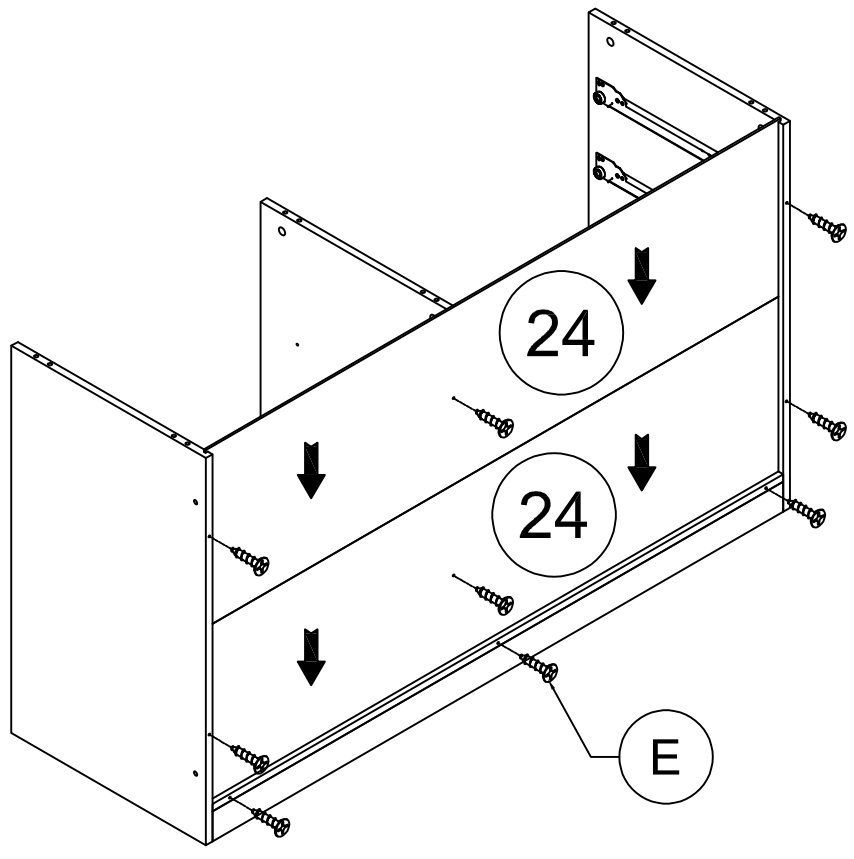



STEP 16: Following below illustration:



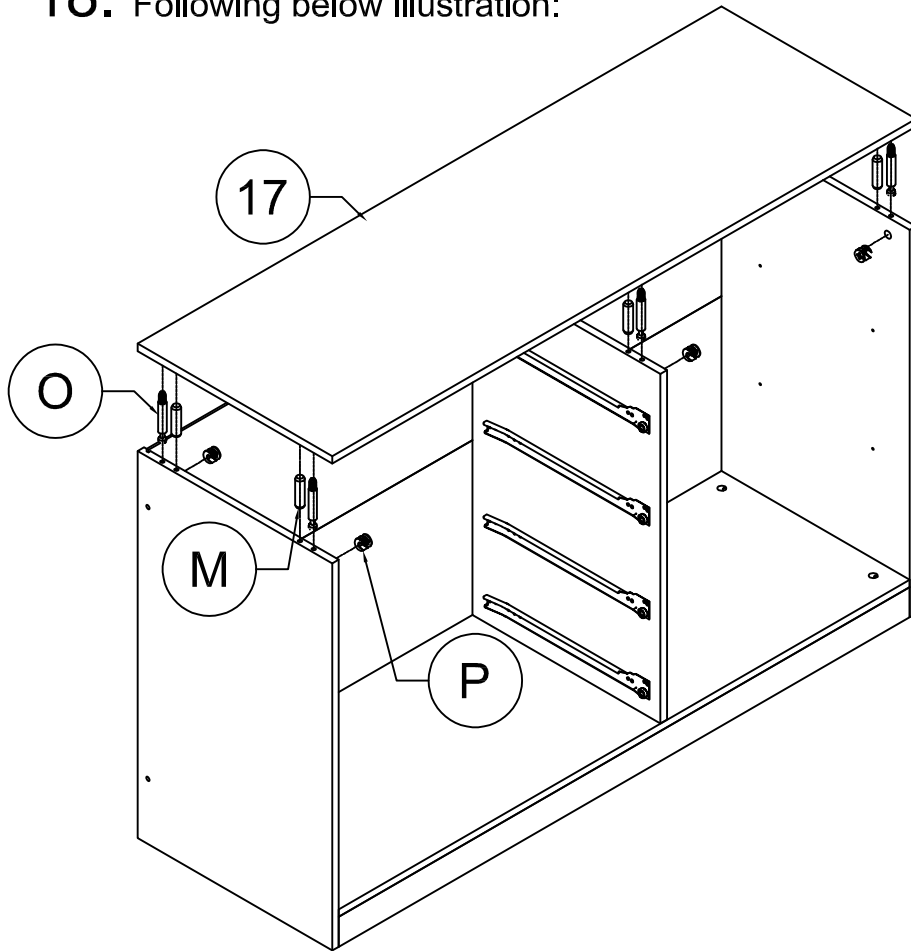
- M  2pcs
- O  2pcs
- P  2pcs




STEP 17: Following below illustration:



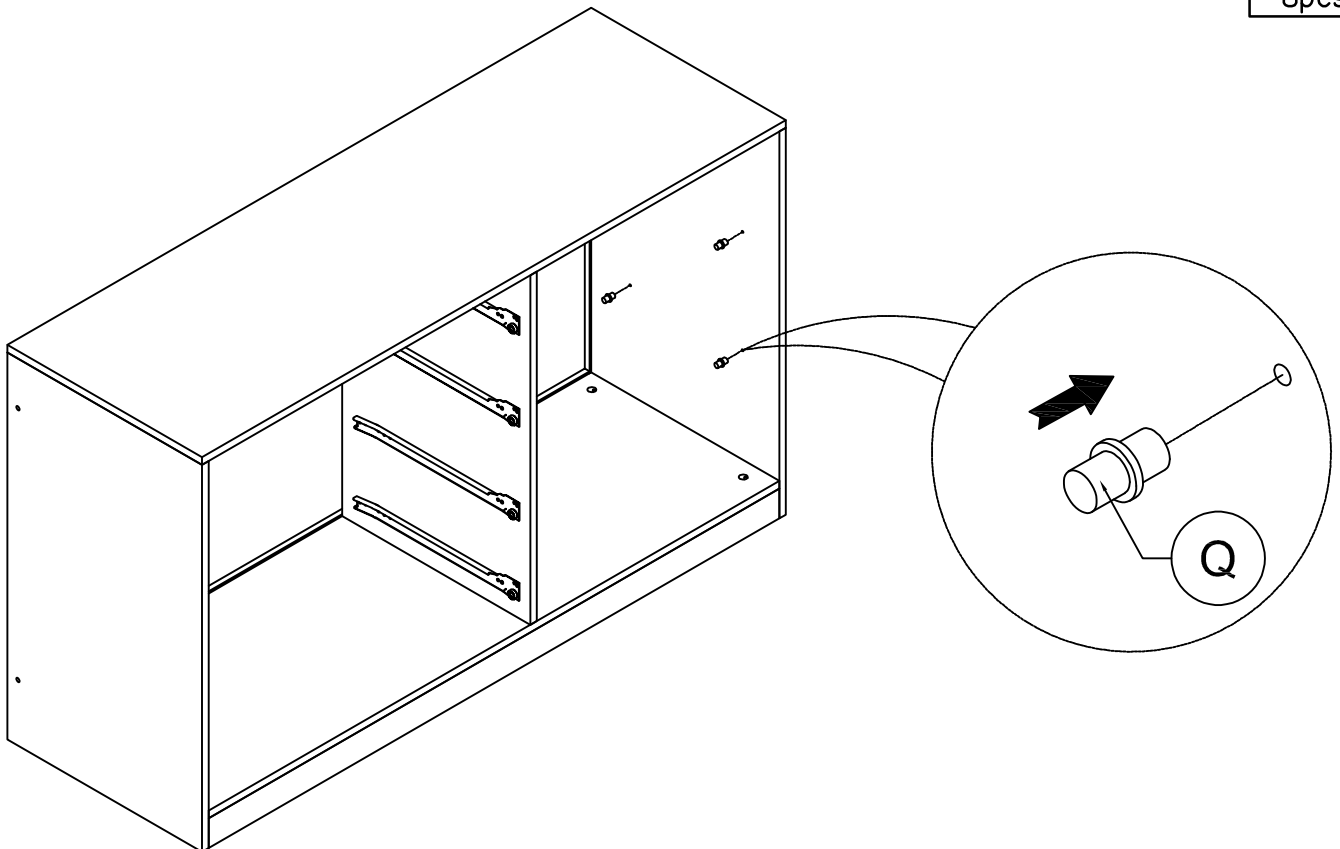
- E  9pcs


STEP 18: Following below illustration:





M	
6pcs	
O	
6pcs	
P	
6pcs	

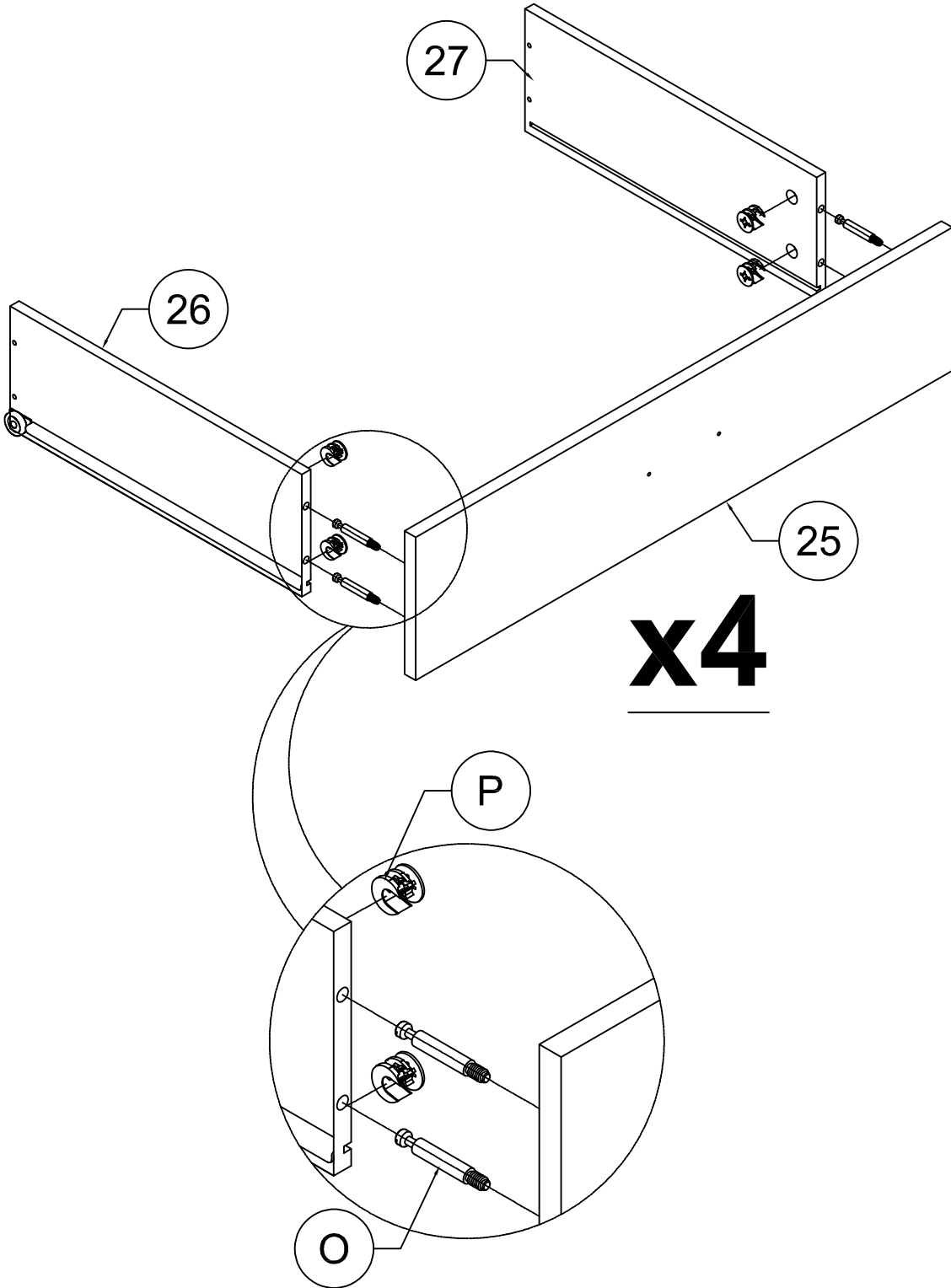
STEP 19: Following below illustration:



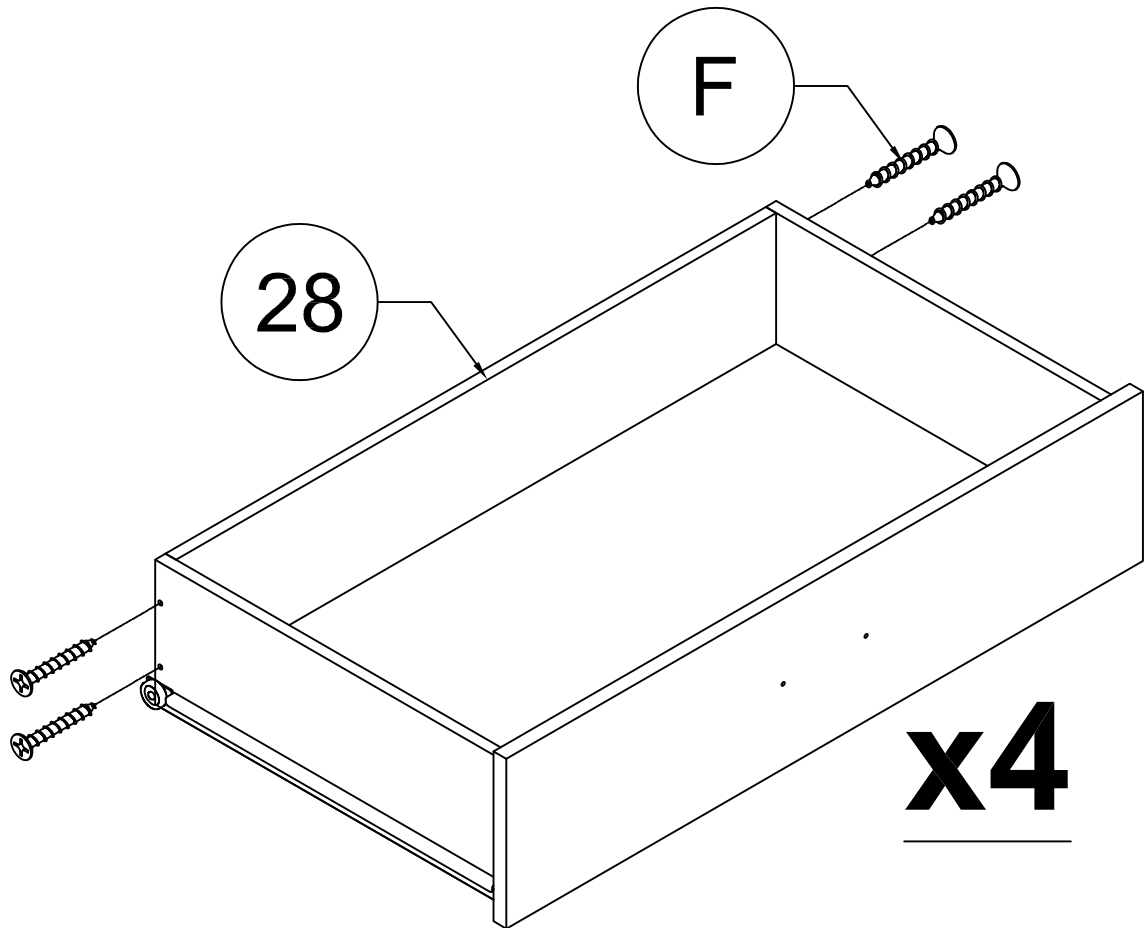
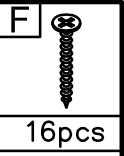
Q	
8pcs	

STEP 20: Following below illustration:

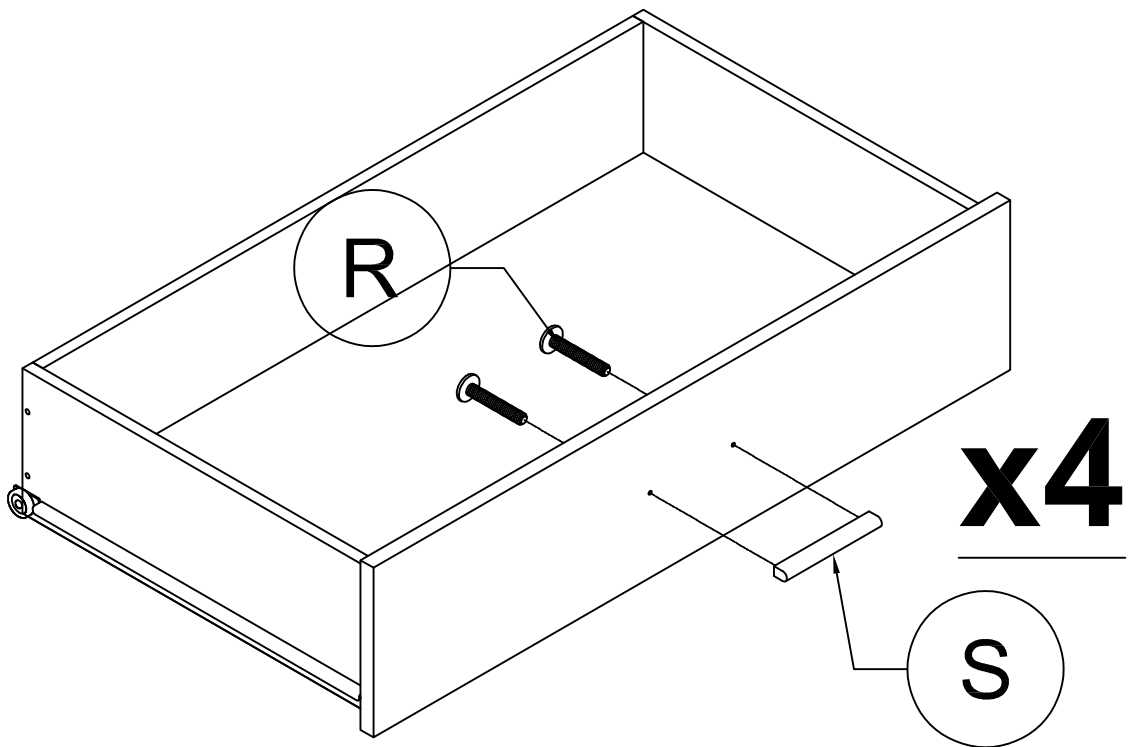
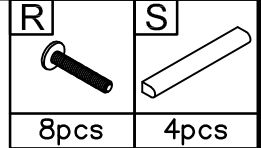
O	
	16pcs
P	
	16pcs



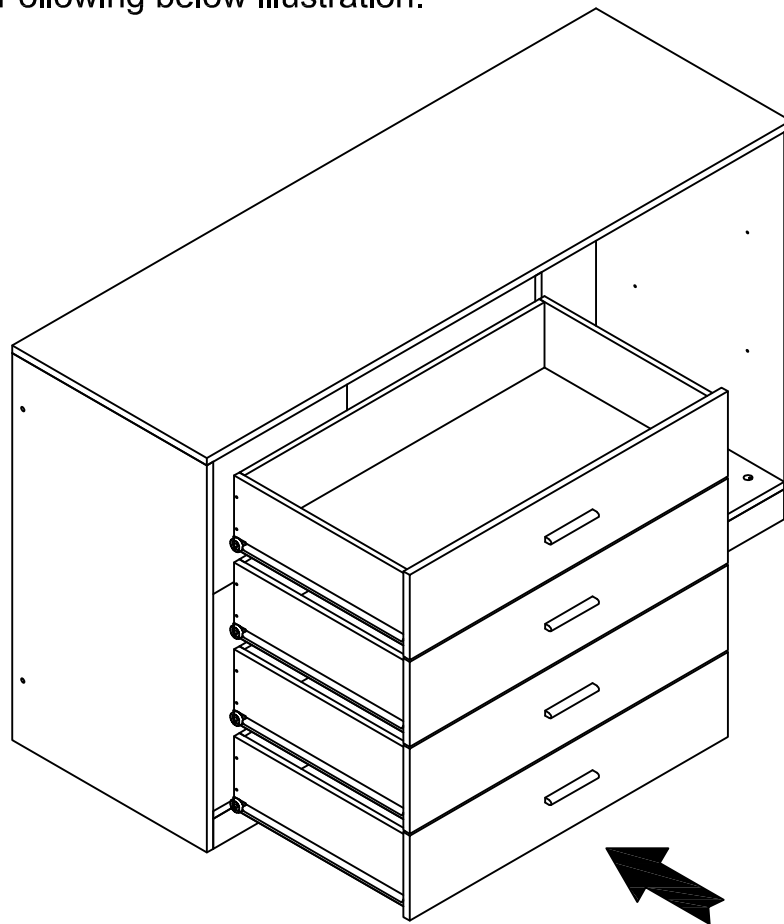
STEP 22: Following below illustration:



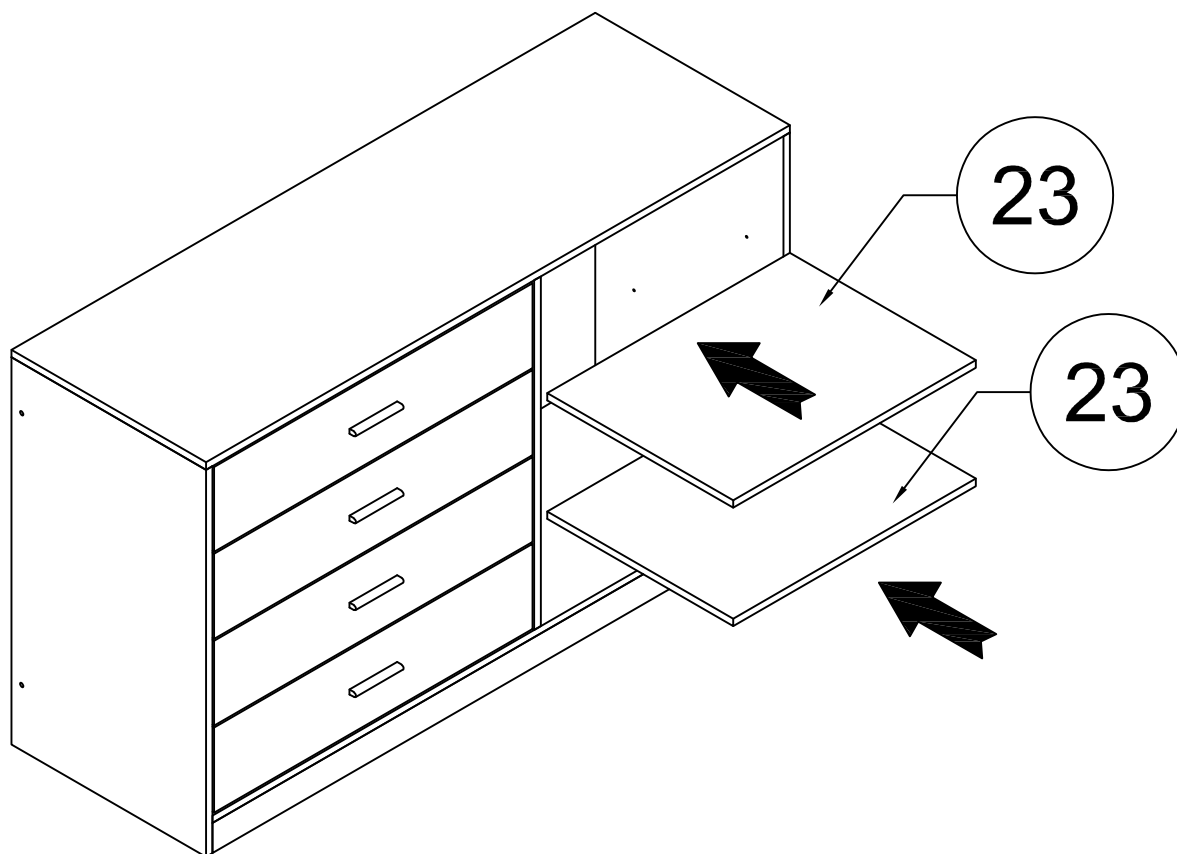
STEP 23: Following below illustration:




STEP 24: Following below illustration:

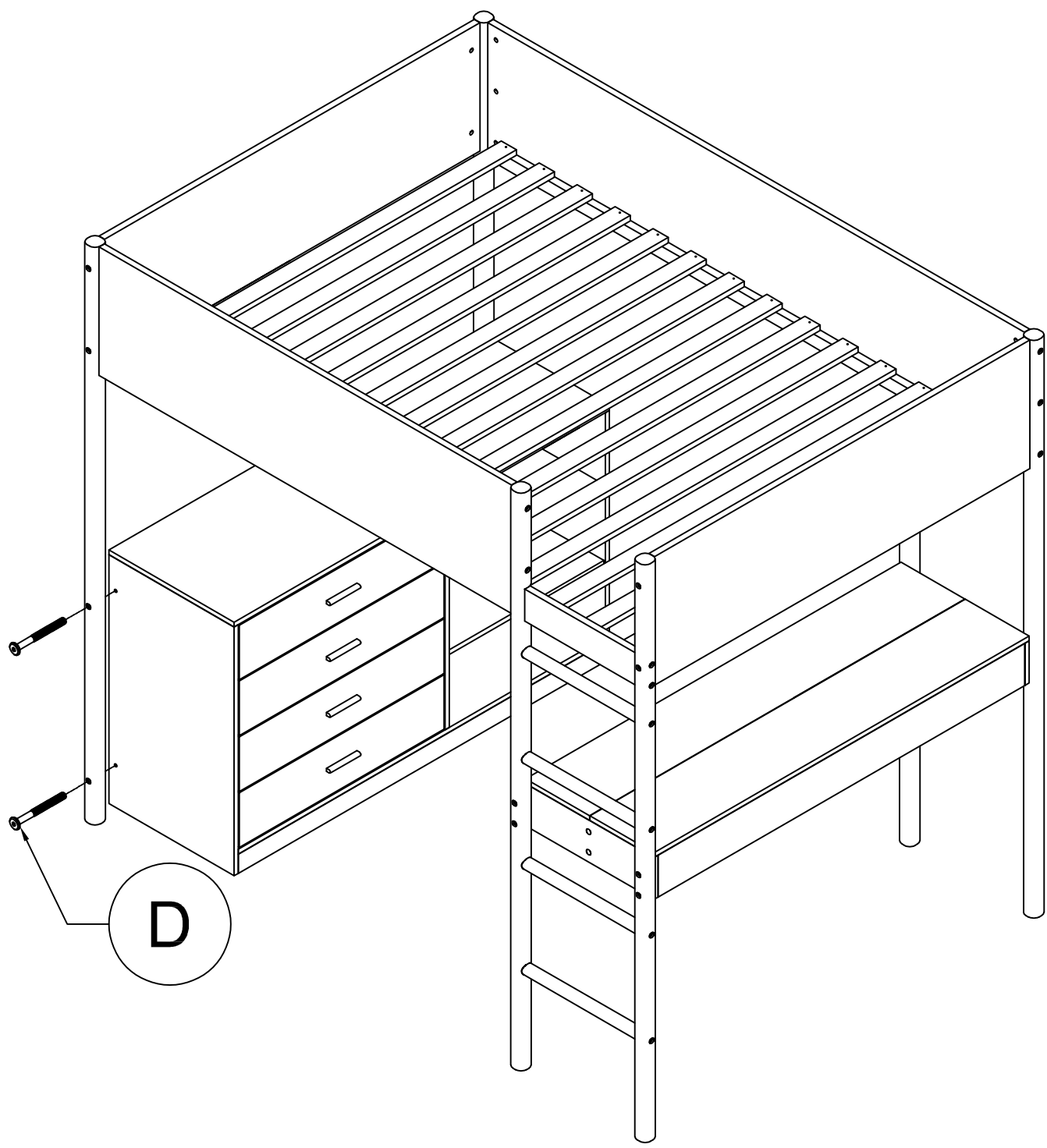


STEP 25: Following below illustration:



STEP 26: Following below illustration:

D

4pcs



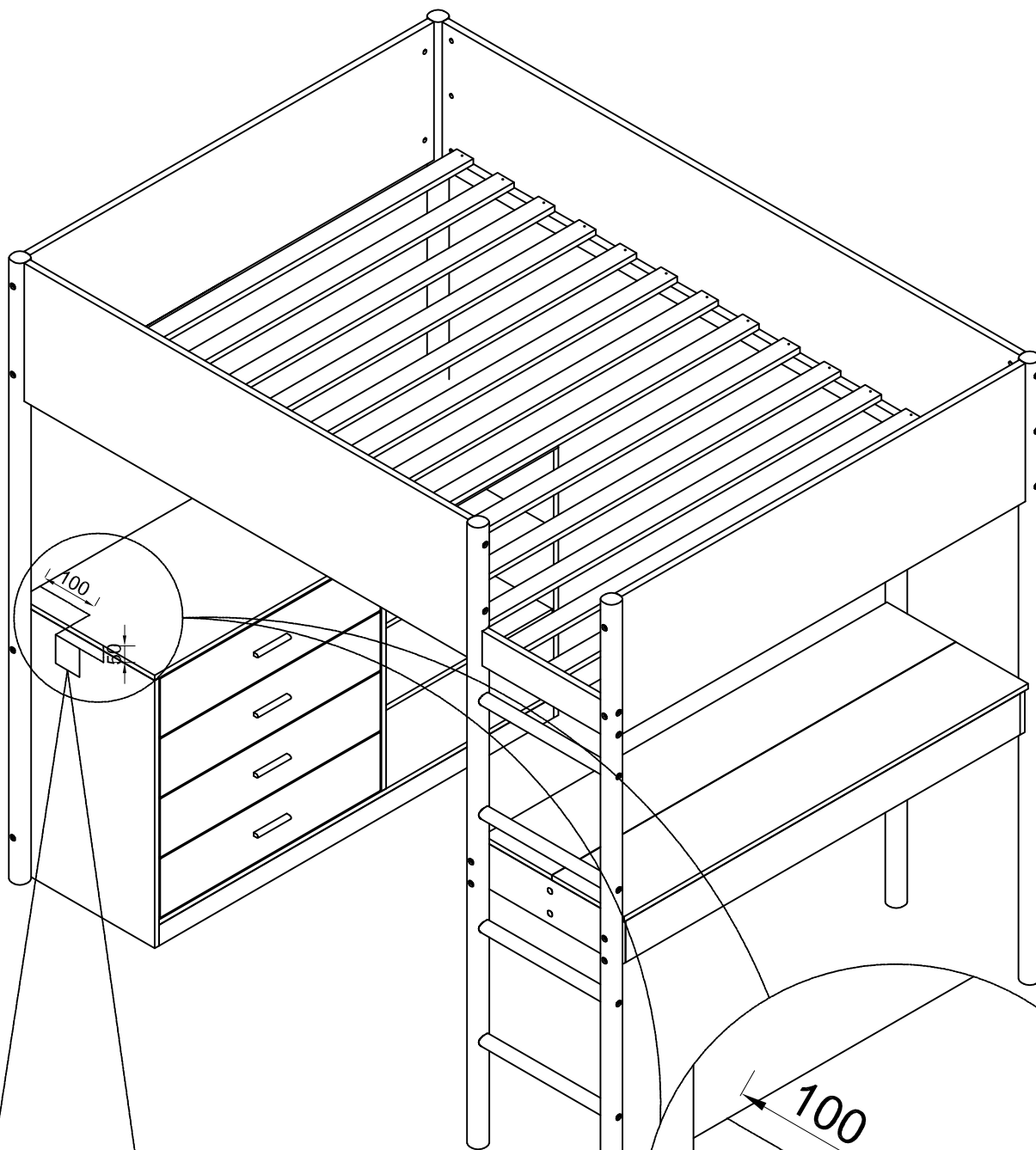
D

STEP 27: Following below illustration:

V



1pc

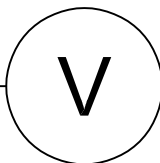


<p>UNDER PENALTY OF LAW THIS TAG NOT TO BE REMOVED EXCEPT BY THE CONSUMER</p>
<p>ALL NEW MERERIAL consisting of: BODY: N/A SEAT CUSHION POLYURETHANE FOAM PAD 89% RESINATED POLYESTER FIBER BATTING 11% BACK CUSHION POLYURETHANE FOAM PAS 89% RESINATED POLYESTER FIBER BATTING 11%</p>
<p>REG.NO.IMP 150430</p>
<p>Certification is made by the manufacturer that the materials in this article are described in accordance with the law.</p>
<p>MADE FOR: FURNITURE OF AMERICA CALIFORNIA 19605 E.Walnut Dr.n City of Industry, CA91748 MFG DATE: MADE IN VIETNAM</p>
<p>COMPLIES WITH U.S CPSC REQUIREMENTS FOR UPHOLSTERED FURNITURE FLAMMABILITY</p>

NOTICE
THIS ARTICLE MEETS THE
FLAMMABILITY REQUIREMENTS OF
CALIFORNIA BUREAU OF
HOUSEHOLD GOODS AND SERVICES
TECHNICAL BULLETIN 117-2013.
CARE SHOULD BE EXERCISED NEAR
OPEN FLAME OR WITH BURNING
CIGARETTES.

The upholstery materials in this product
contain added flame retardant chemicals
contain NO added flame retardant
chemicals

The state of California has updated the
flammability
standard and determined that the fire
safety require-
ments for this product can be met
without adding
flame retardant chemicals. The state has
identified many flame retardant
chemicals as being known to, or strongly
suspected of, adversely impacting
human health or development



**Stick the sticker on the
side of the cabinet**

FINISH

