

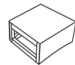


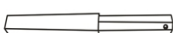



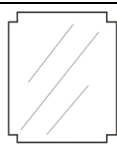
CARE AND MAINTENANCE

Spot clean using a mild water-free solvent. Only a professional cleaner should undertake a complete overall cleaning.
The use of steam or water-based cleaners may cause excessive shrinking or staining.

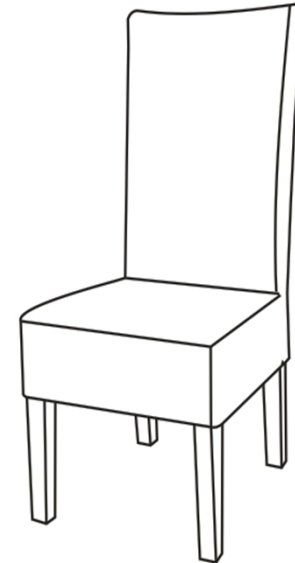
NOTICE

- * Please make sure that you have all parts indicated before you begin assembly of this item
- * This item should be assembled on a soft surface to prevent scratching the finish during assembly
- * This item may require periodic tightening

Part List and Hardware List

PIECE	DESCRIPTION	PICTURE	QUANTITY
A	Seat		1X
B	Back Rest		1X
C	Front leg-1		1X
D	Front leg-2		1X
E1	Bolt 8 X 60 mm		6X
E2	Flat Washer		6X
E3	Spanner		1X
F	Black Fabric		1X

Product Dimensions : 18.1"W x 23.2"D x 40.1"H



Weight Capacity: 225 lbs

WARNING: DO NOT STAND ON CHAIR

WARNING: DO NOT OVER TORQUE BOLTS/SCREWS



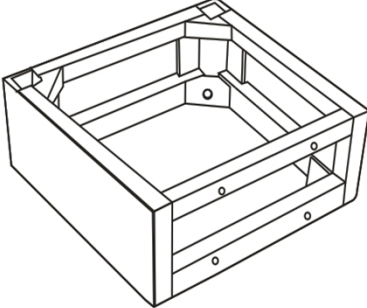
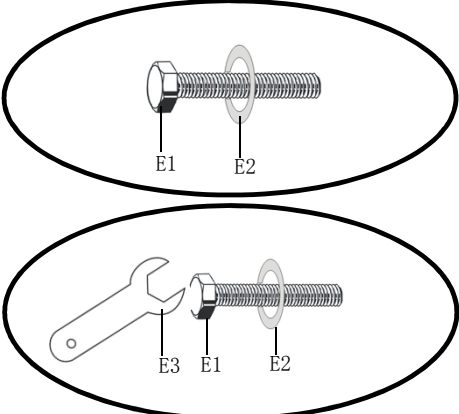
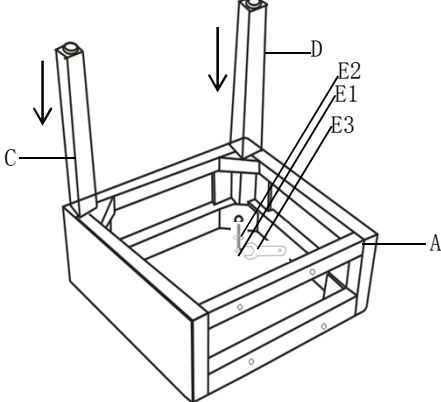
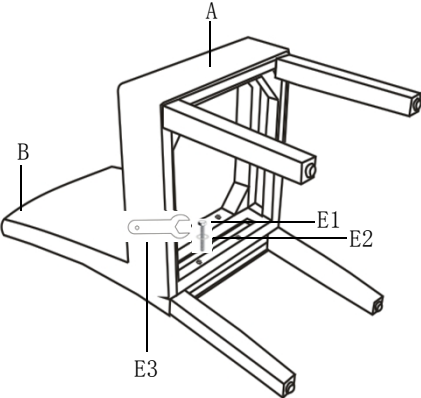
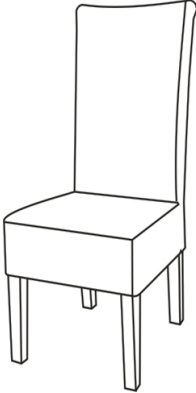
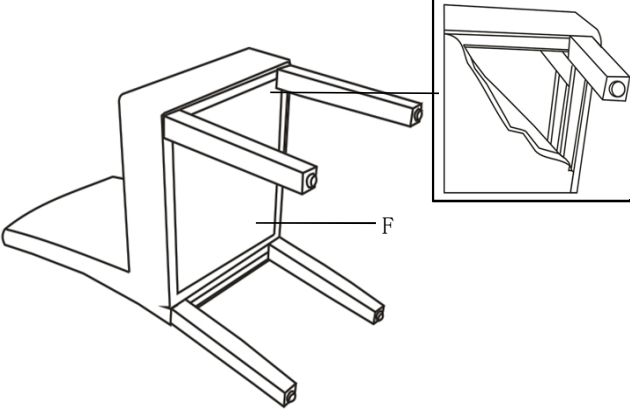
The legs and hardware are located underneath the chair in the zipper compartment.

PREPARATION

Before beginning assembly of product, make sure all parts are present. Compare parts with package contents list and hardware contents list. If any part is missing or damaged, do not attempt to assemble the product.

Estimated Assembly Time: 10 minutes.

Tools Required for Assembly (included): Spanner

		
<p>STEP1 TAKE OUT LEGS AND HARDWARE WHICH PLACED ON THE UNDERSIDE OF THE SEAT</p>	<p>STEP2 PUT THE WASHERS ON THE BOLT IN THE ORDER SHOWN IN THE PICTURE</p>	<p>STEP3 INSERT THE FRONT LEGS AND SCREW IN THE BOLTS BUT DON'T TIGHTEN COMPLETELY</p>
		
<p>STEP4 INSERT THE BACK LEGS AND SCREW IN THE BOLTS BUT DON'T TIGHTEN COMPLETELY</p>	<p>STEP5 PUT THE CHAIR UPRIGHT AND MAKE SURE ALL LEGS ARE LEVEL, THEN FIRMLY TIGHTEN BOLTS WITH SPANNER WHILE THE CHAIR IS UPRIGHT AS PICTURED ABOVE</p>	<p>STEP6 FIX THE BLACK FABRIC ON THE UNDERSIDE OF THE SEAT, THIS ITEM MAY REQUIRE PERIODIC TIGHTENING</p>

The legs and hardware are located underneath the chair in the zipper compartment.