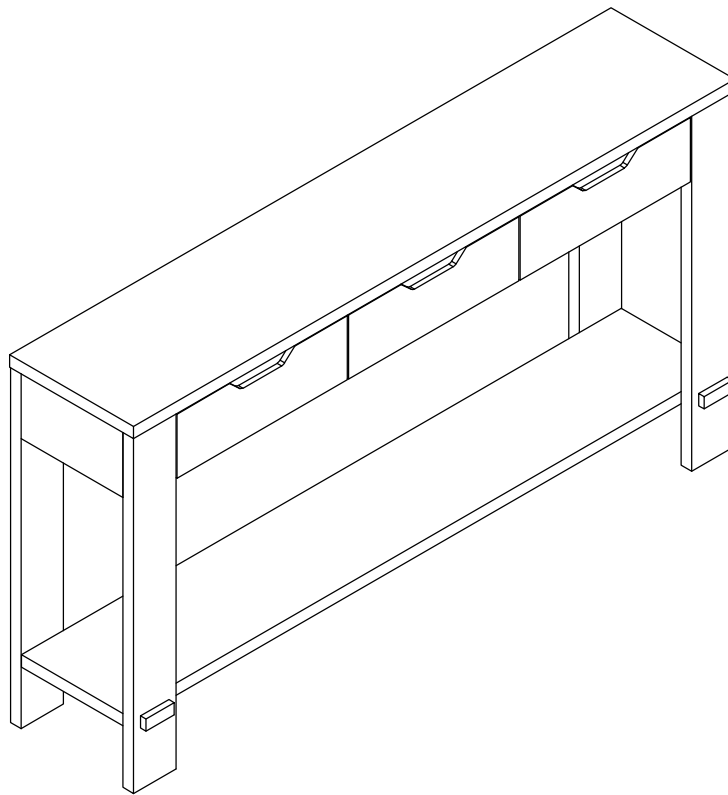


# Assembly Instructions



---

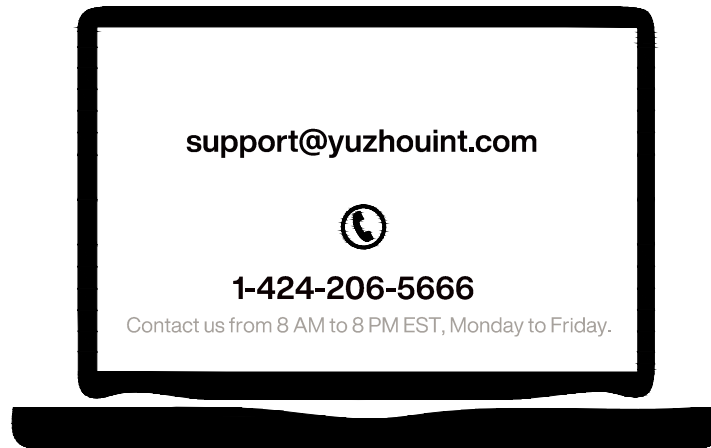
**Console Table**

Model No.  
**HOGA-JZ0005**

---

# Contact Us

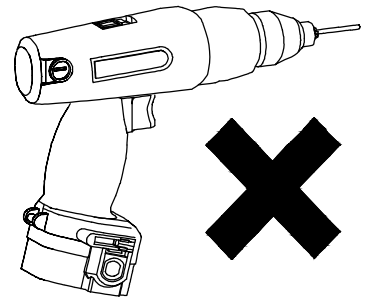
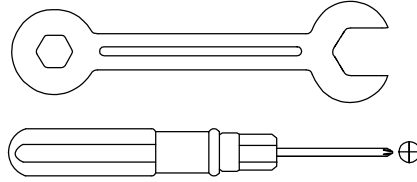
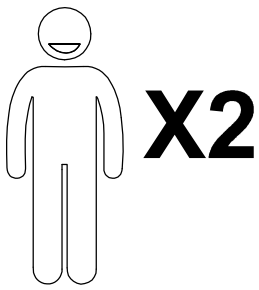
## We're here to help you.



Your satisfaction is our top priority. If you encounter any issues with this product, such as missing or damaged parts, we're here to help. Please retain the original packaging and take photos of the packaging and the product, then contact us as soon as possible.

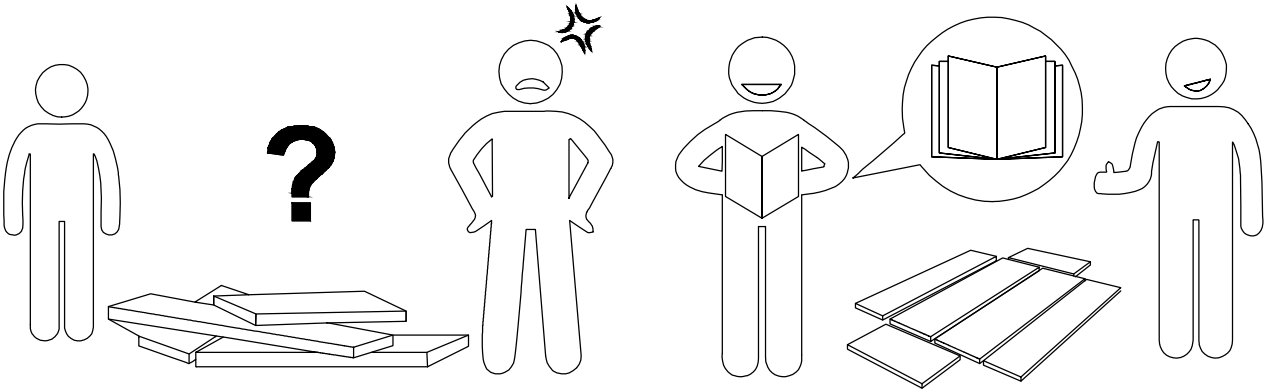
### Warm Tips

1. Carefully read these instructions and keep them for future reference.
2. Check the parts list and confirm everything's there before starting assembly.
3. When assembling, put all parts on a soft, smooth surface like a carpet to avoid scratches.
4. Don't fully tighten screws until all parts are confirmed in place to avoid misalignment.



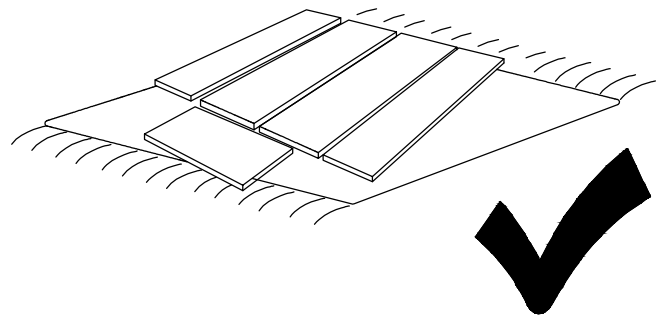
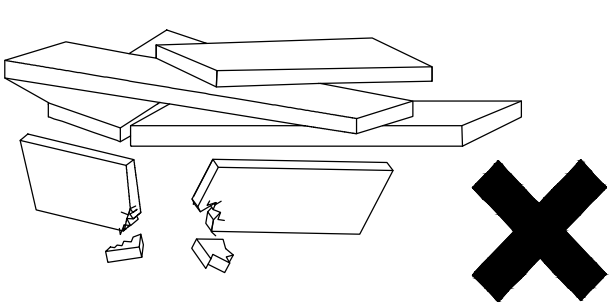
We recommend using hand tools for assembly.

If an electric screwdriver is used, reduce power and torque to avoid damage to the product.



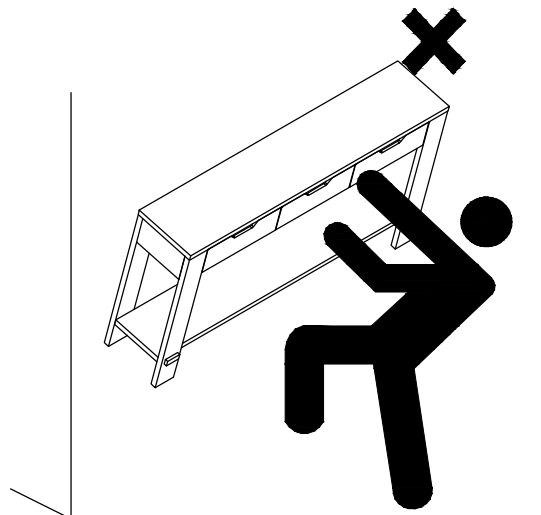
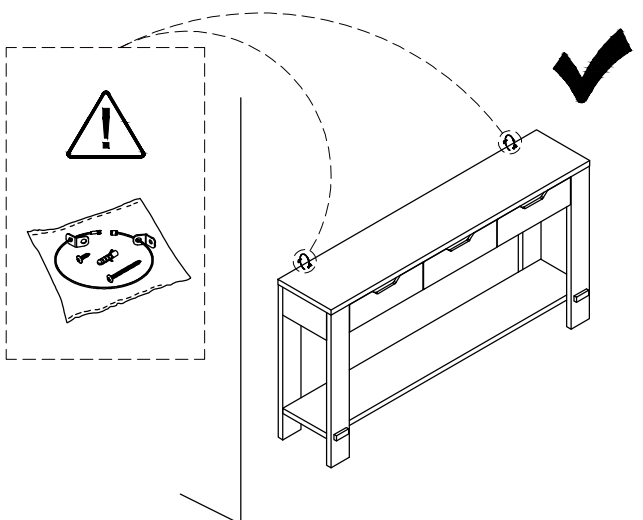
## AVOID SCRATCHES

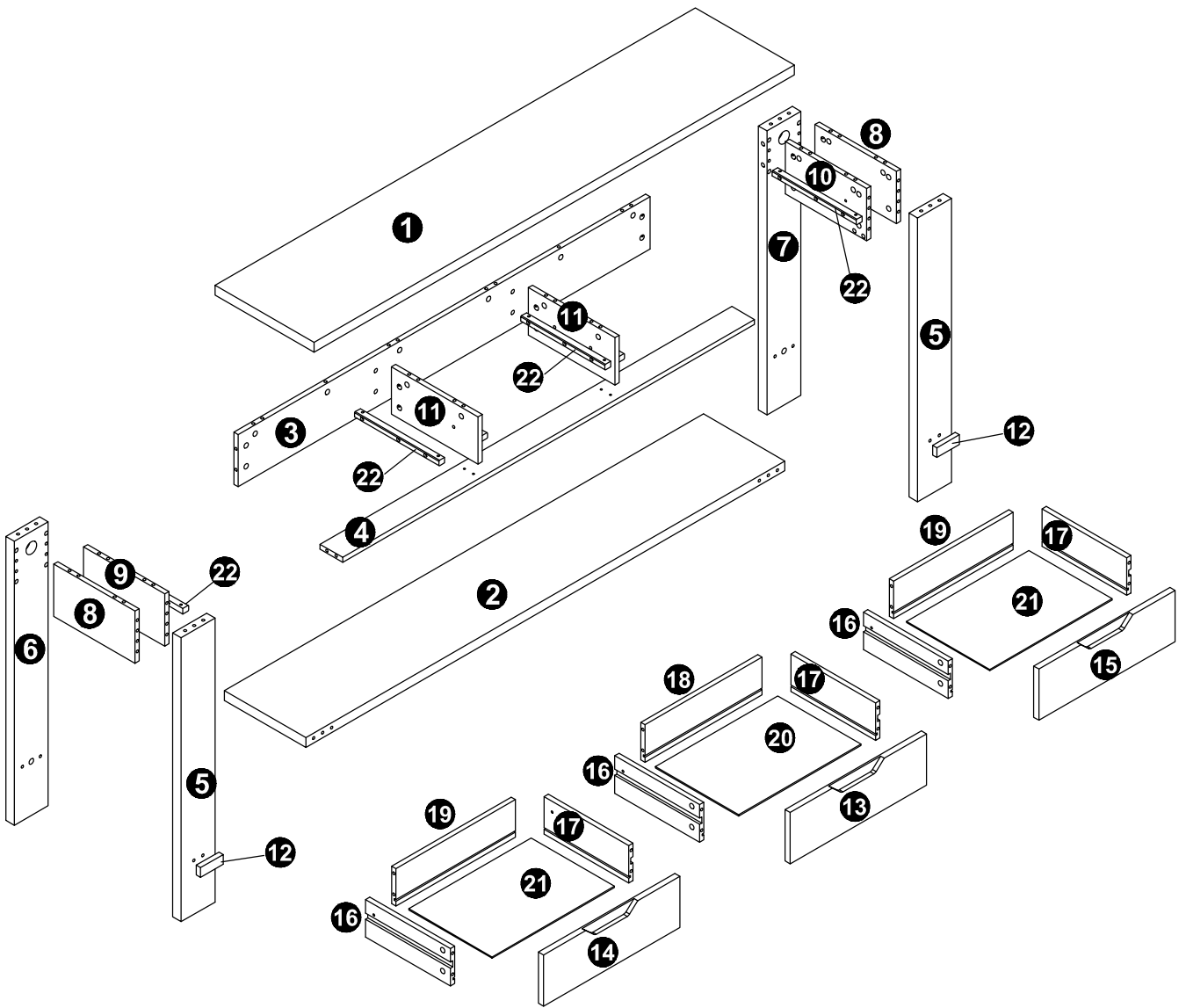
In order to avoid scratching, this furniture should be assembled on a soft surface, such as a rug.



## Install the Anti-Tip Straps

Using the anti-tip straps can reduce the risk of tipping over, but can not eliminate it.

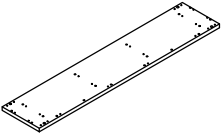
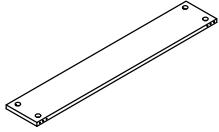
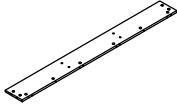
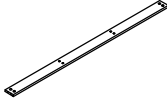


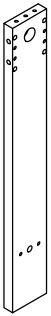
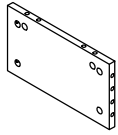
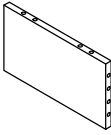
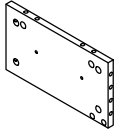
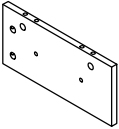
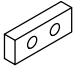
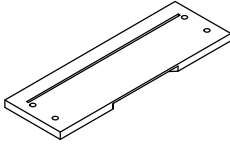
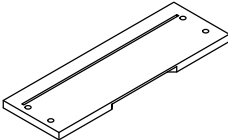
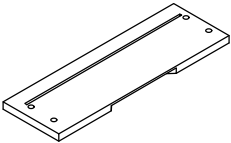
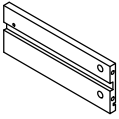
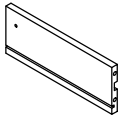
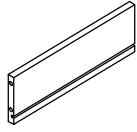
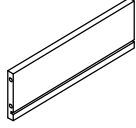
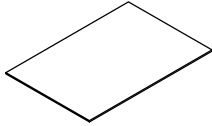
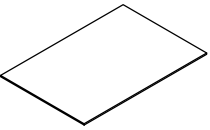
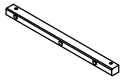




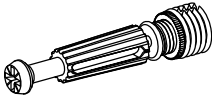
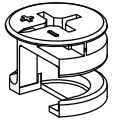

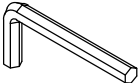


**⚠ Caution**




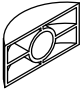


Make sure all parts are included. Most board parts are labeled or stamped on the raw edge. Contact us for a free replacement if you encounter any damaged or missing parts.




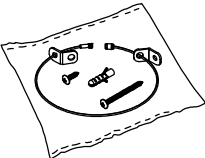
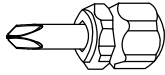

# Parts List

<p><b>1</b></p>  <p>1pc</p>	<p><b>2</b></p>  <p>1pc</p>	<p><b>3</b></p>  <p>1pc</p>	<p><b>4</b></p>  <p>1pc</p>	<p><b>5</b></p>  <p>2 pcs</p>
<p><b>6</b></p>  <p>1pc</p>	<p><b>7</b></p>  <p>1pc</p>	<p><b>8</b></p>  <p>2 pcs</p>	<p><b>9</b></p>  <p>1pc</p>	<p><b>10</b></p>  <p>1pc</p>
<p><b>11</b></p>  <p>2 pcs</p>	<p><b>12</b></p>  <p>2 pcs</p>	<p><b>13</b></p>  <p>1pc</p>	<p><b>14</b></p>  <p>1pc</p>	<p><b>15</b></p>  <p>1pc</p>
<p><b>16</b></p>  <p>3 pcs</p>	<p><b>17</b></p>  <p>3 pcs</p>	<p><b>18</b></p>  <p>1pc</p>	<p><b>19</b></p>  <p>2 pcs</p>	<p><b>20</b></p>  <p>1pc</p>
<p><b>21</b></p>  <p>2 pcs</p>	<p><b>22</b></p>  <p>6 pcs</p>			

# Hardware List

A	B	C	D	E	F
					
Ø6x40mm	Ø15x12mm	Ø7x38mm	M4x58mm	M6x35mm	Ø8x30mm
70 pcs	70 pcs	4 pcs	1 pc	4 pcs	48 pcs

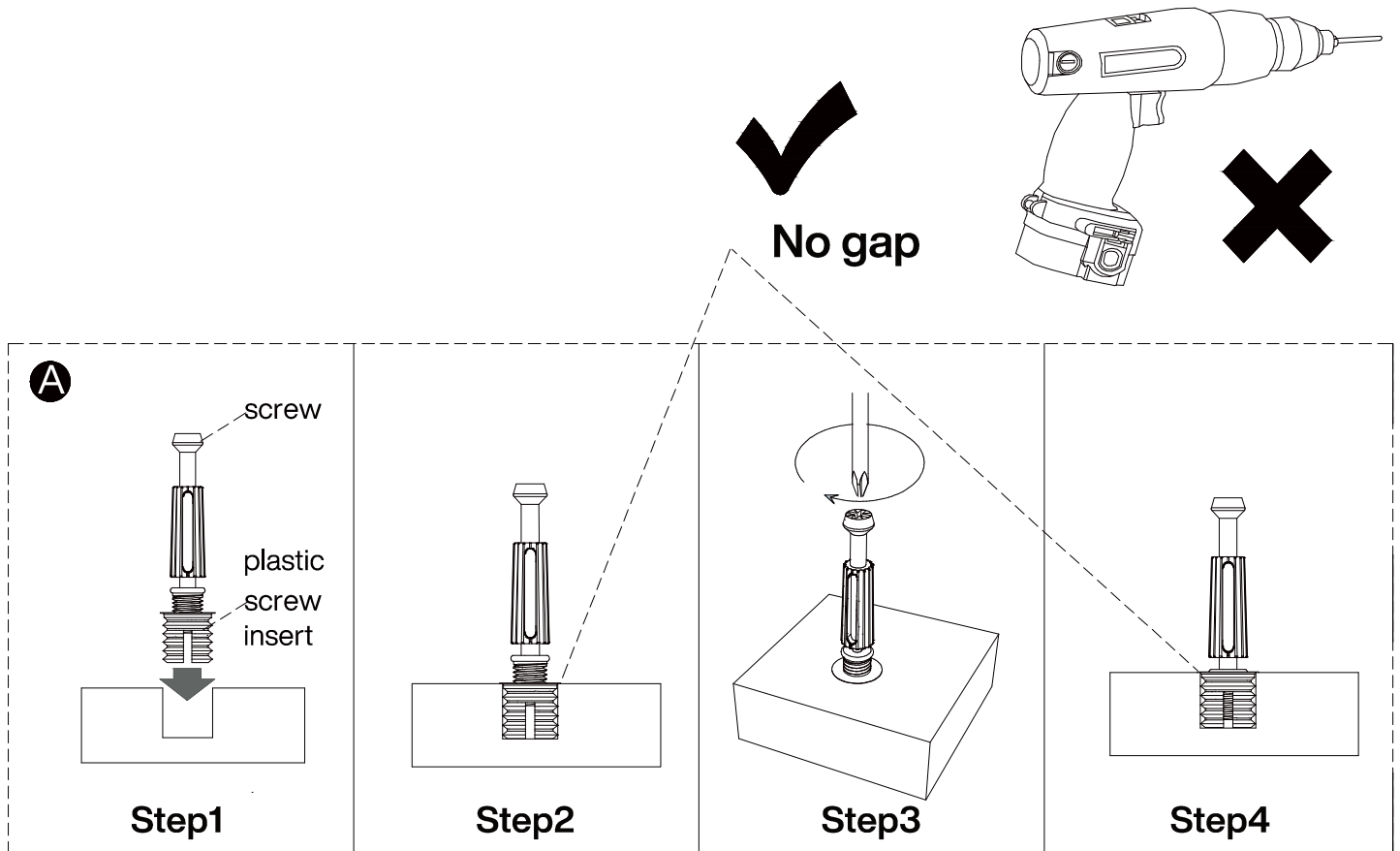
G	H	I	J	K	L
					
Ø6x20mm	Ø3.5x25mm	M8x75mm	M8	M8	M8
12 pcs	18 pcs	8 pcs	8 pcs	8 pcs	8 pcs

M	N	O	P	Q	R
					
Ø50	M14	Ø20mm			Ø6x30mm
8 pcs	1 pc	70 pcs	2 pcs	1 pc	20 pcs

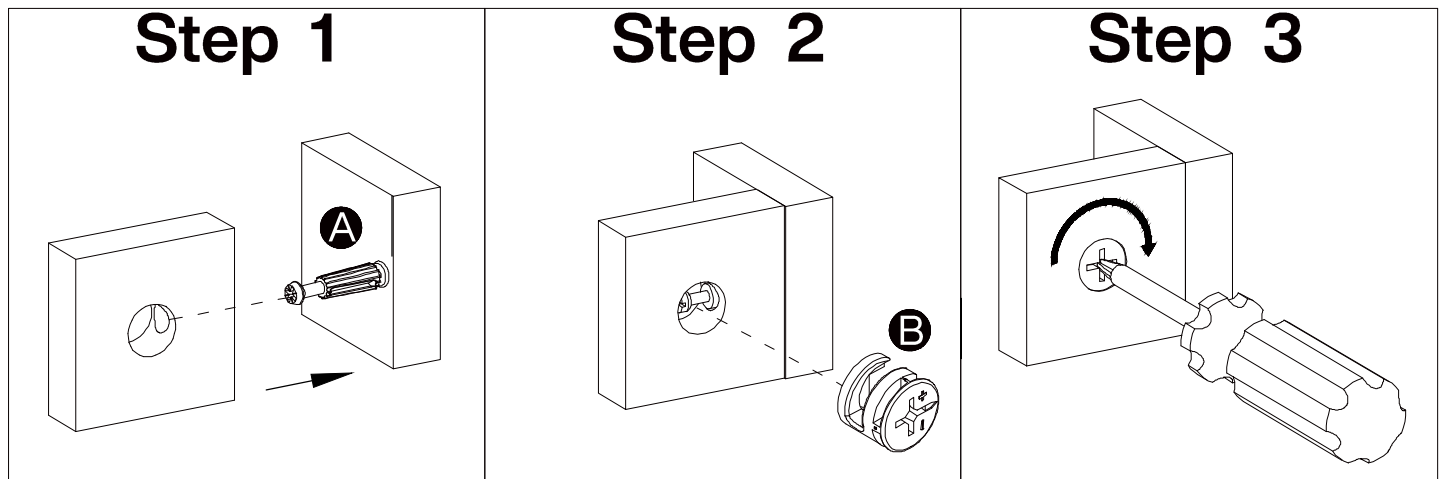
## Installation of Cams and Pins

Step 1-2: Align the plastic part with the mounting hole and press it in. If you can't press it in, loosen the screw counter clockwise or completely remove the screw from the plastic part and try again.

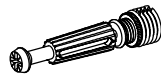
Step 3-4: After pressing the plastic part into place, use a screwdriver to tighten the screw clockwise.

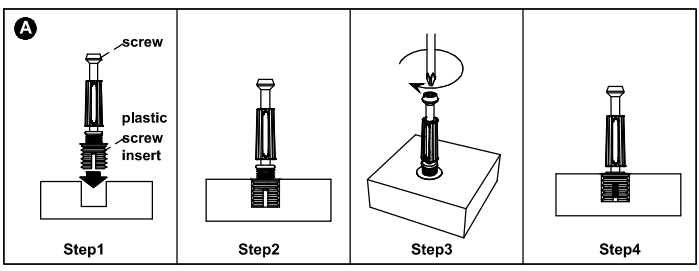
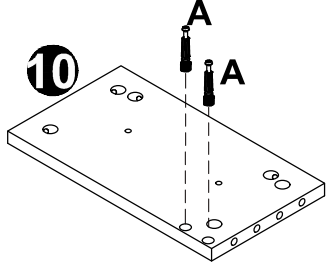
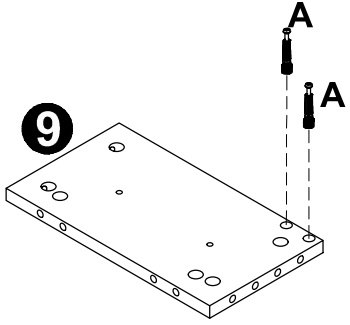


Screw the pin into the hole. Set the cams correctly by aligning the head of the cams with the lock pins. Lock the cam by turning the cam head with a screwdriver until it is tightened. Please do not use an electric screwdriver to assemble the unit.





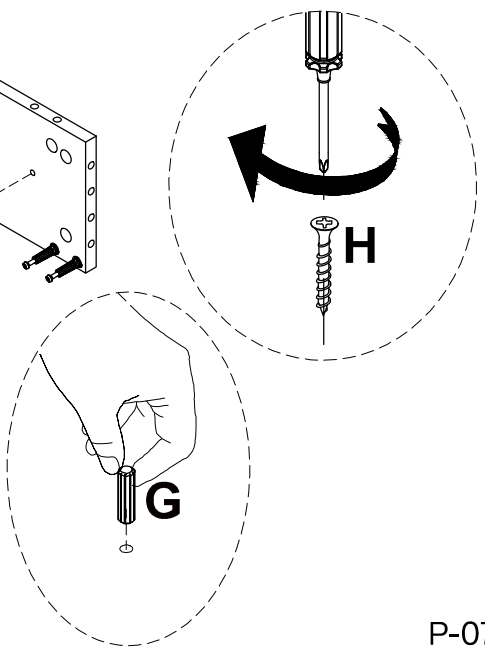
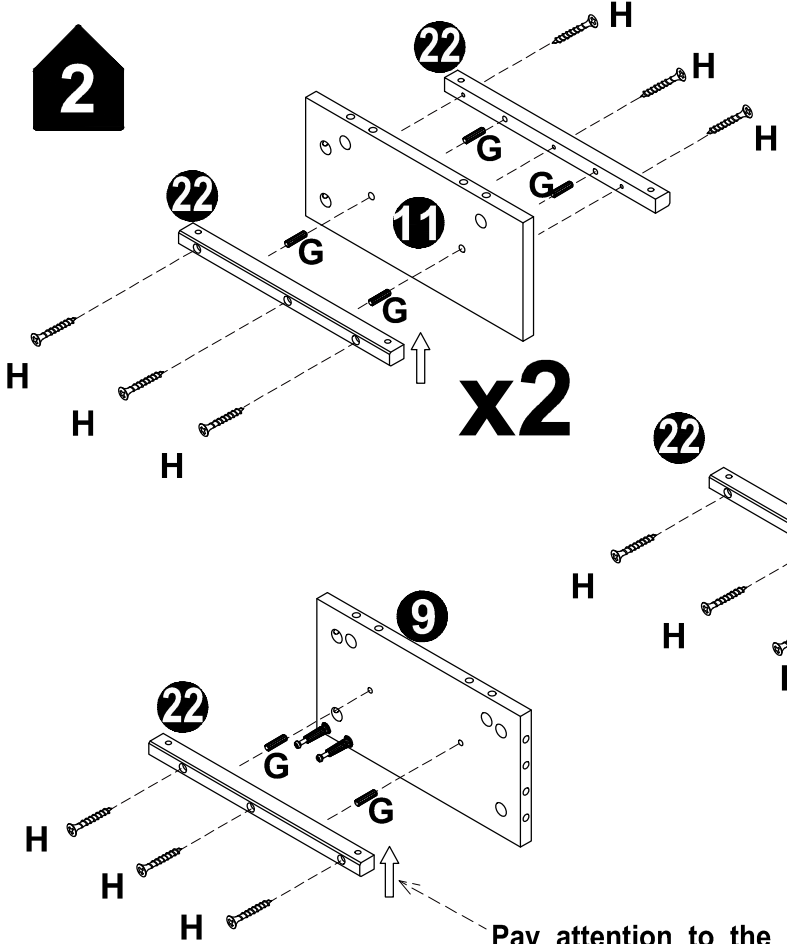
# 1

<b>A</b>

Ø6x40mm
4 pcs

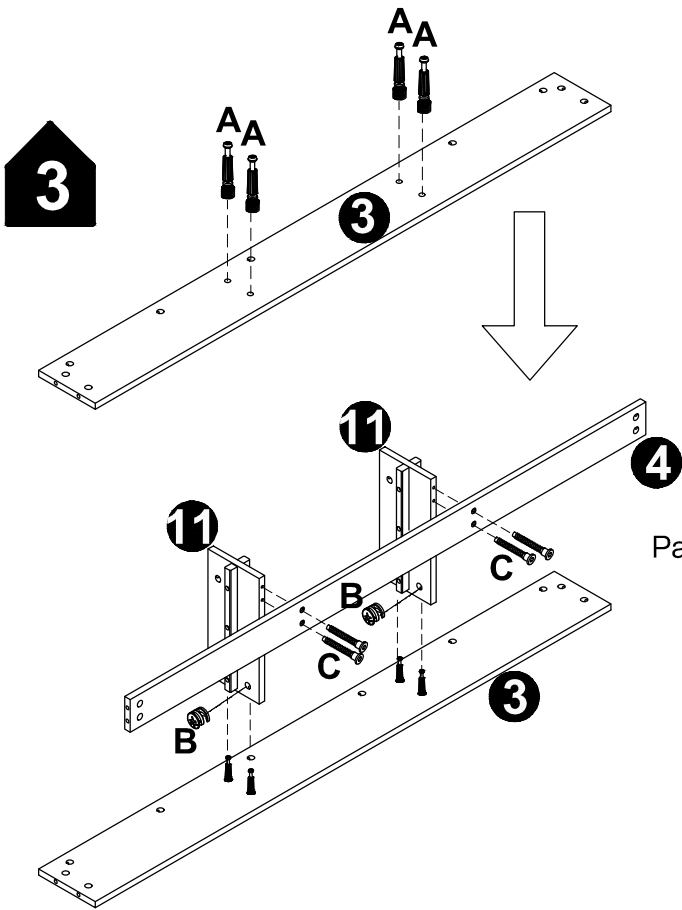


# 2

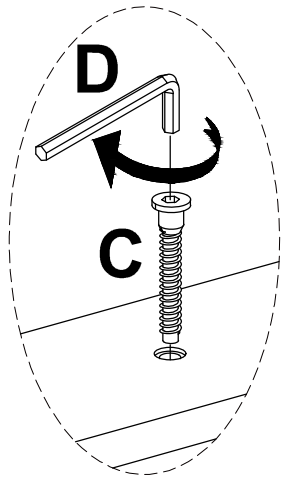
<b>G</b>	<b>H</b>
	
Ø6x20mm	Ø3.5x25mm
12 pcs	18 pcs



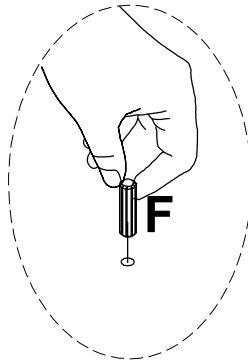
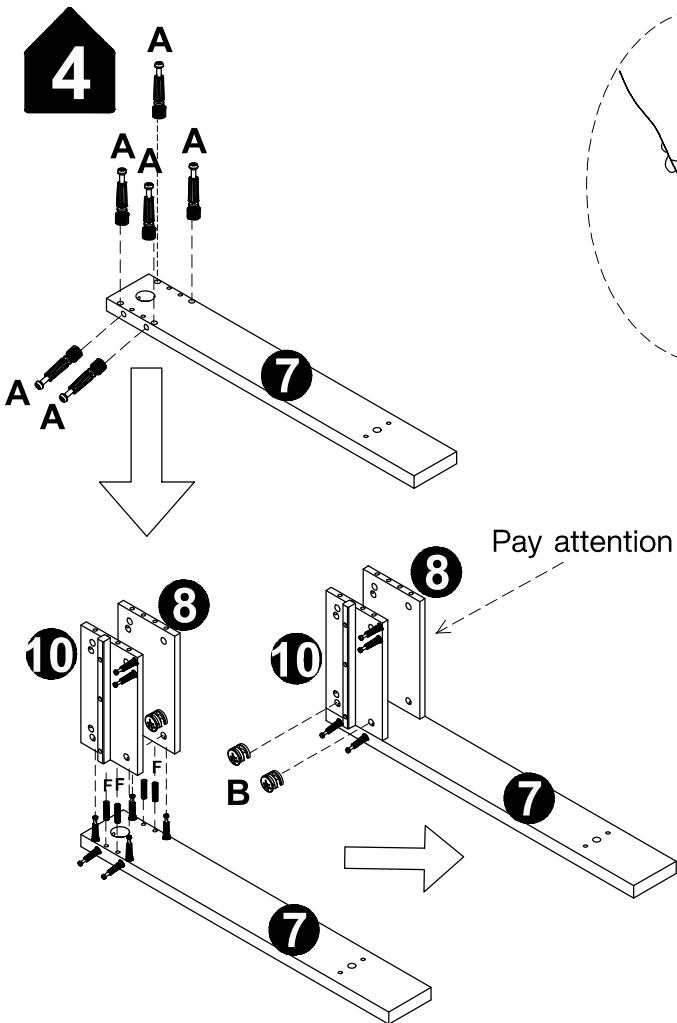
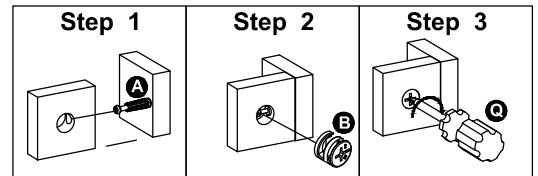
Pay attention to the hole position



A	B	C	D
Ø6x40mm	Ø15x12mm	Ø7x38mm	M4x58mm
4 pcs	4 pcs	4 pcs	1 pc

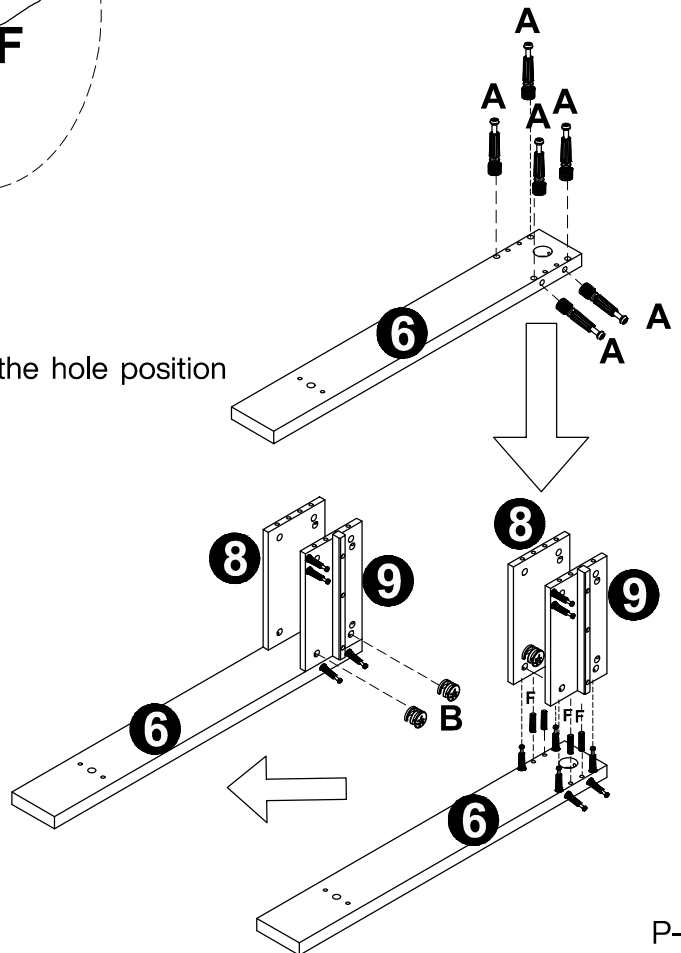


Pay attention to the hole position




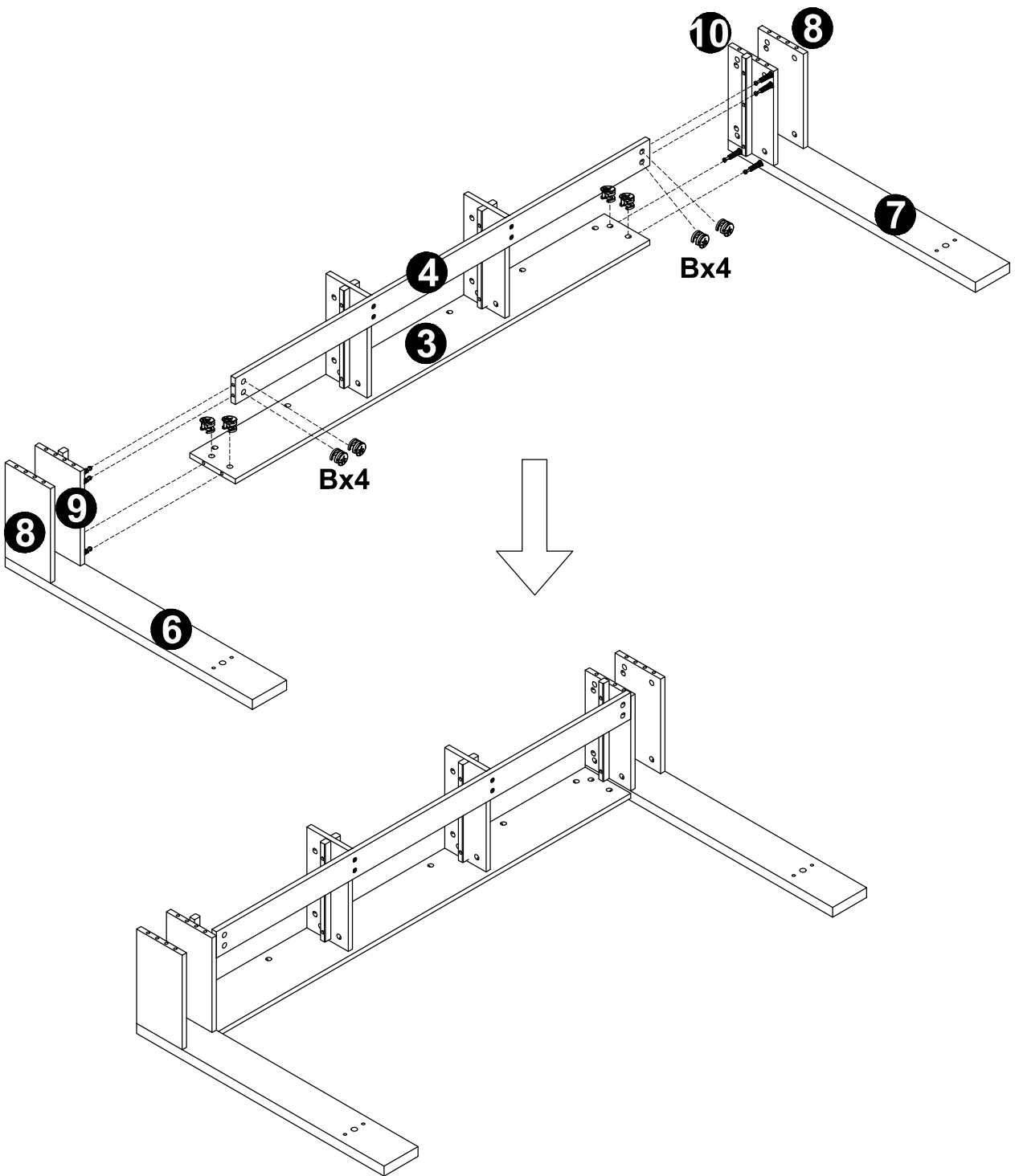
Pay attention to the hole position

A	B	F
Ø6x40mm	Ø15x12mm	Ø8x30mm
12 pcs	8 pcs	8 pcs


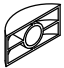



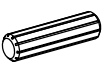


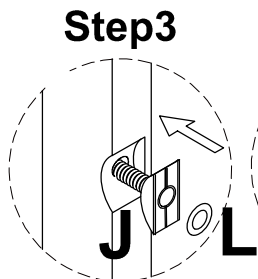
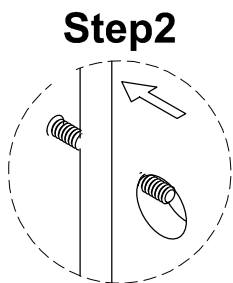
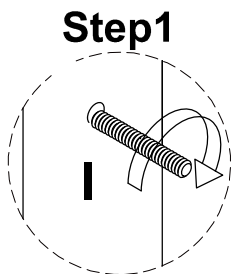
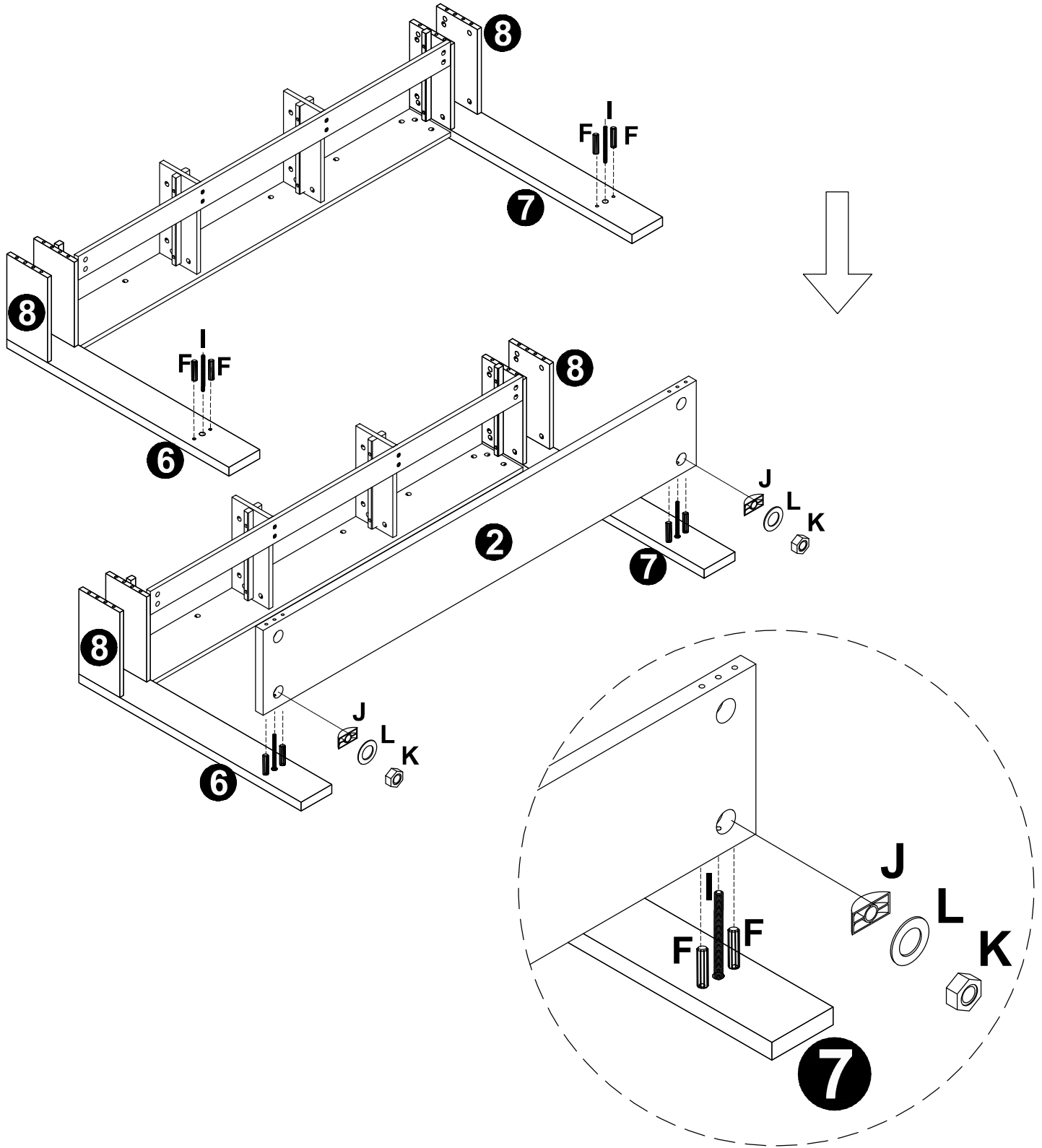
5

<b>B</b>

Ø15x12mm
8 pcs

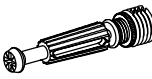
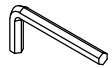
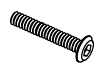


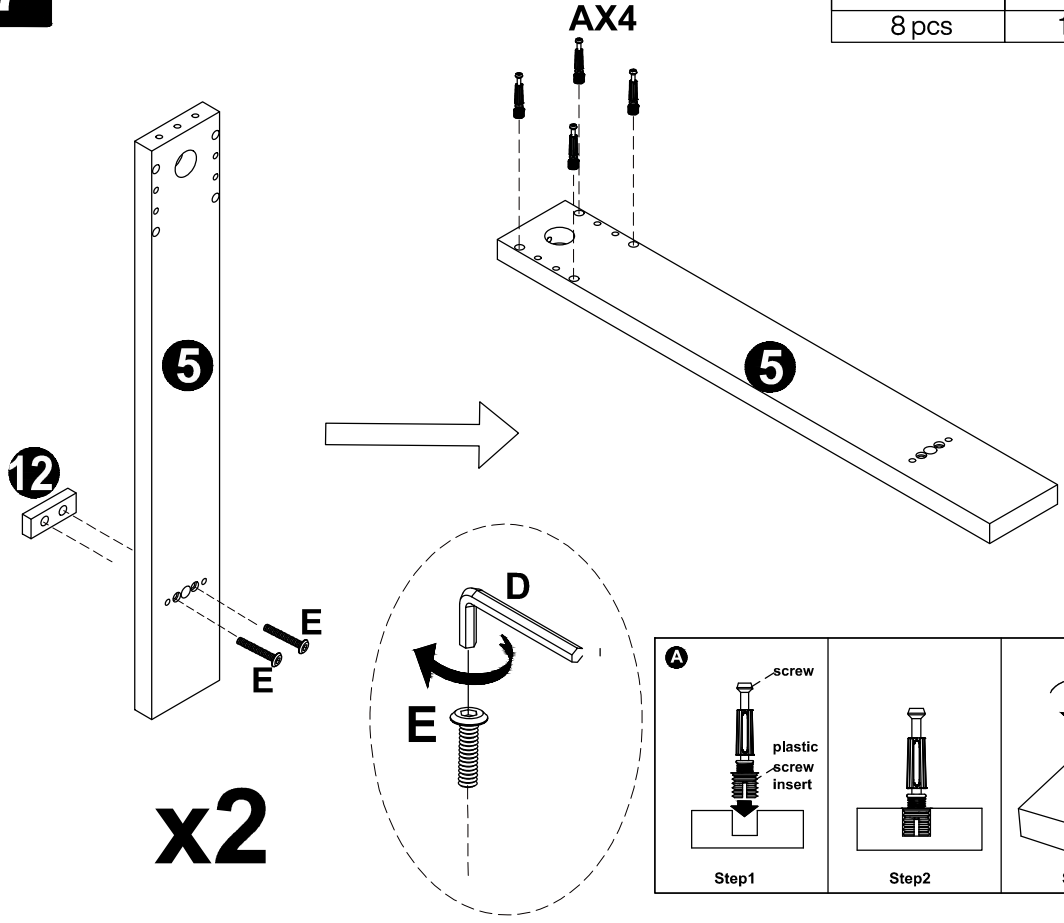
**6**

I	J	K	L	N	F
					
M8x75mm	M8	M8	M8	M14	Ø8x30mm
2 pcs	2 pcs	2 pcs	2 pcs	1 pc	4 pcs




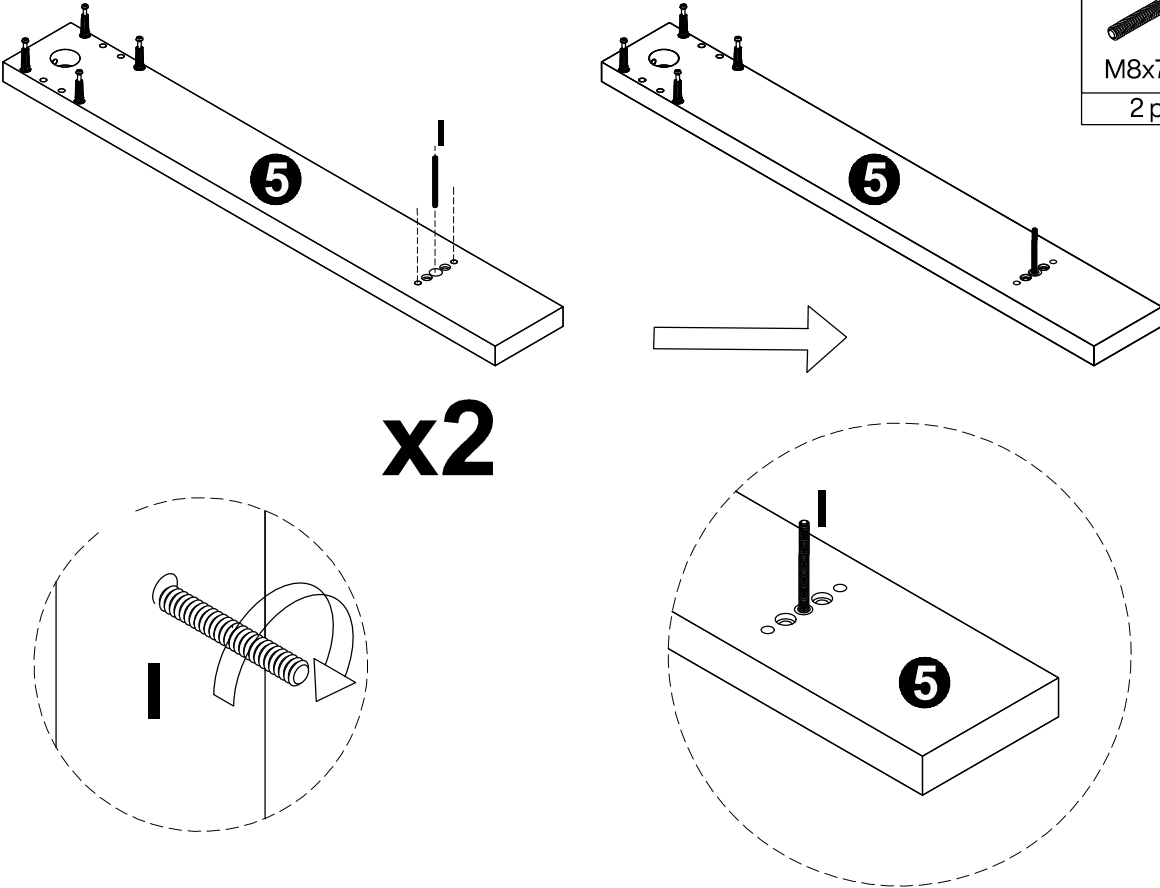
**7**

A	D	E
		
Ø6x40mm	M4x58mm	M6x35mm
8 pcs	1 pc	4 pcs

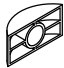



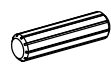



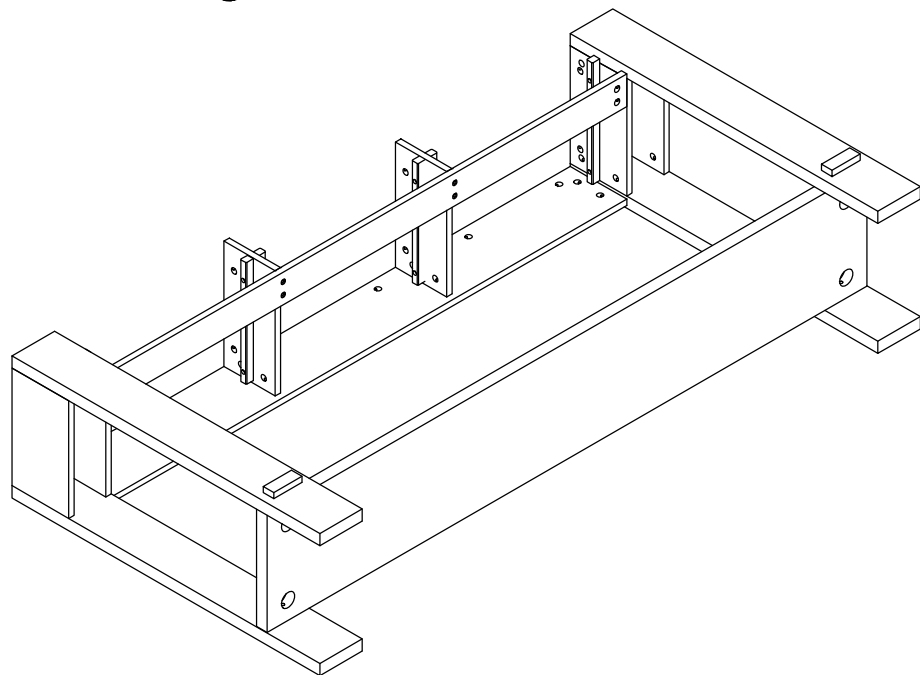
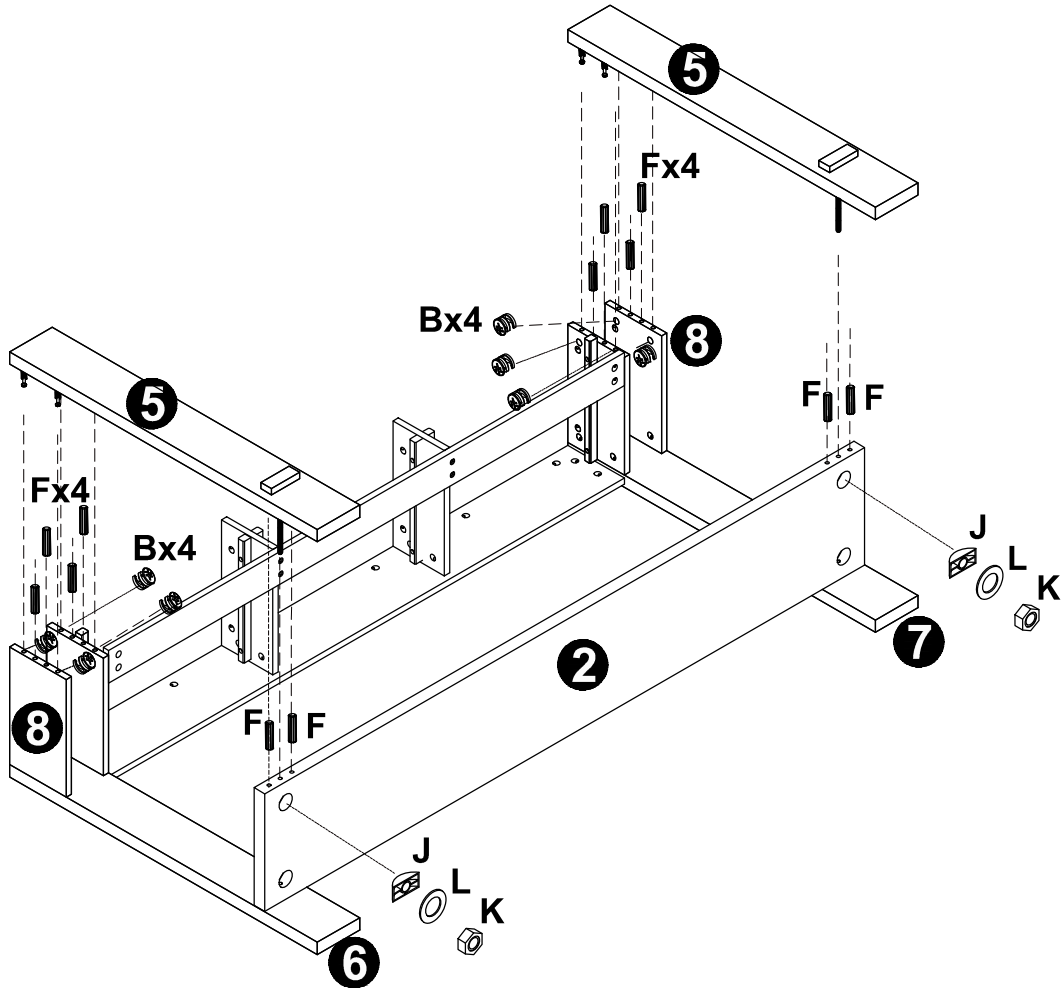
**8**

I

M8x75mm
2 pcs

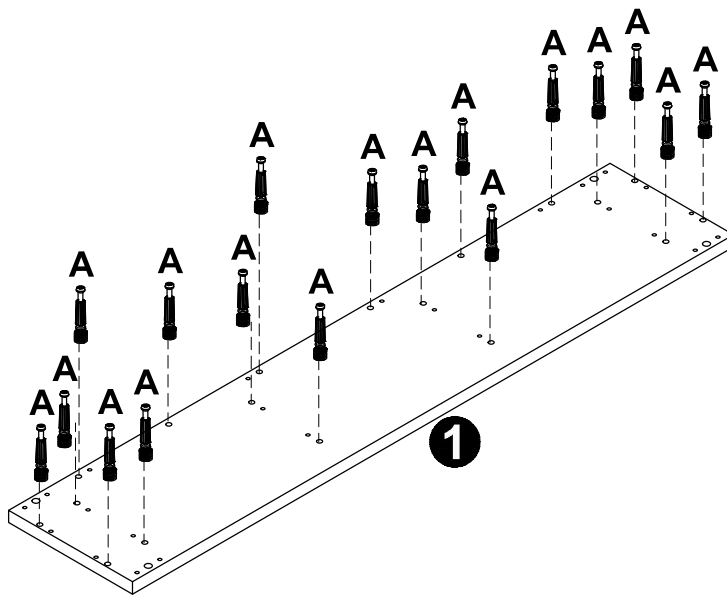


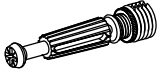
9

J	K	L	N	F	B
					
M8	M8	M8	M14	Ø8x30mm	Ø15x12mm
2 pcs	2 pcs	2 pcs	1 pc	12 pcs	8 pcs

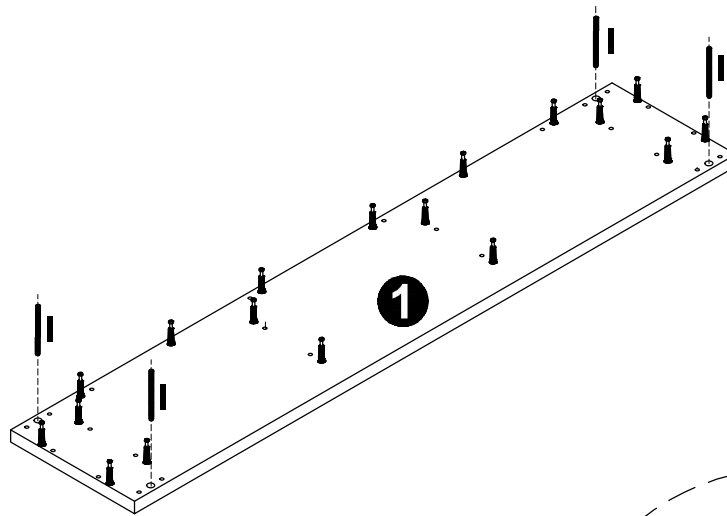



10

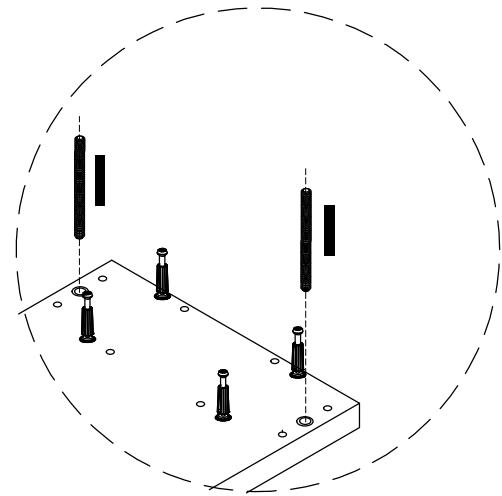
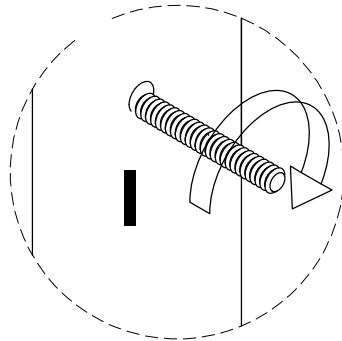


<b>A</b>

Ø6x40mm
18 pcs





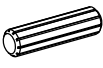

11

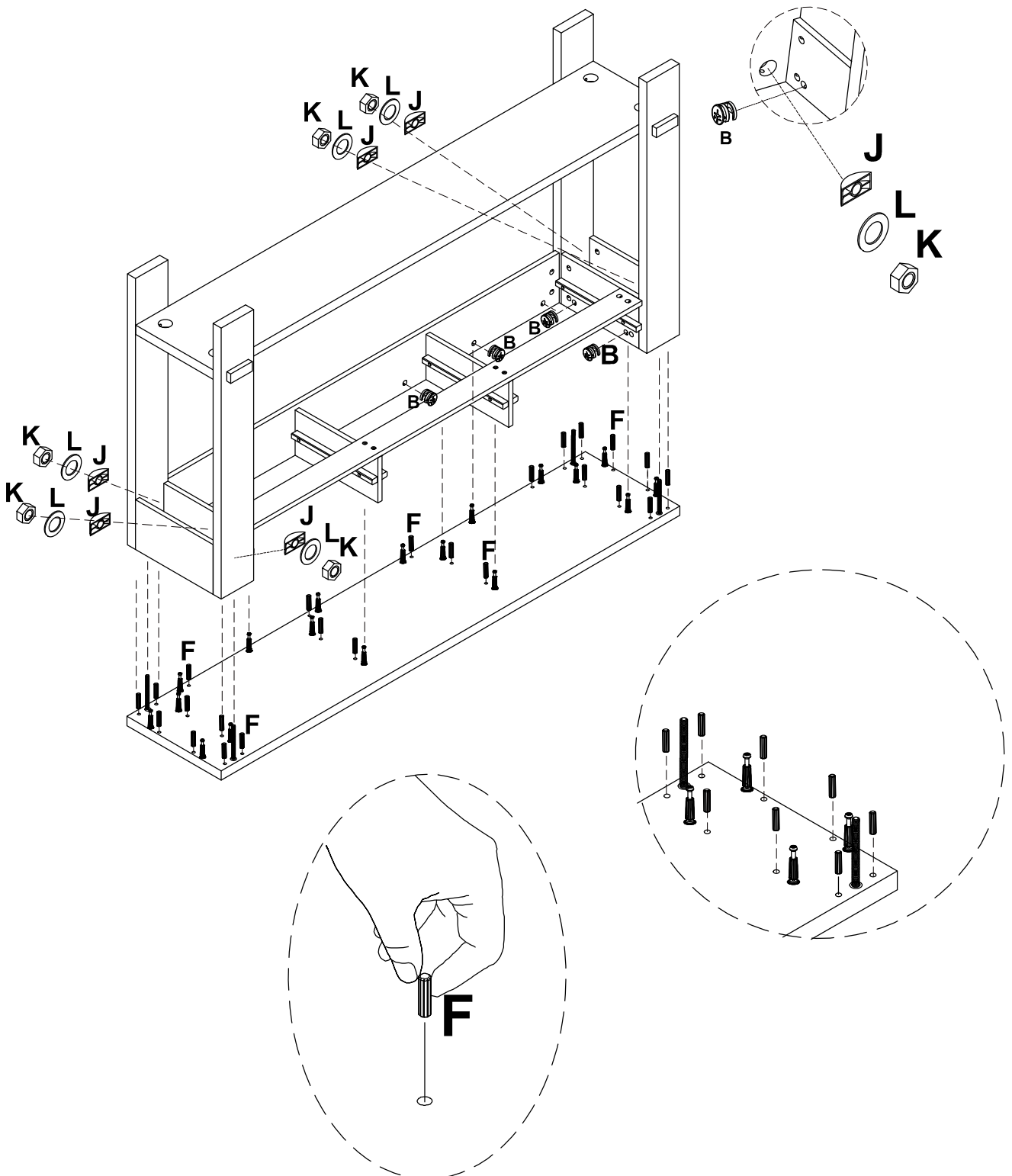


<b>I</b>

M8x75mm
4 pcs





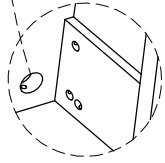
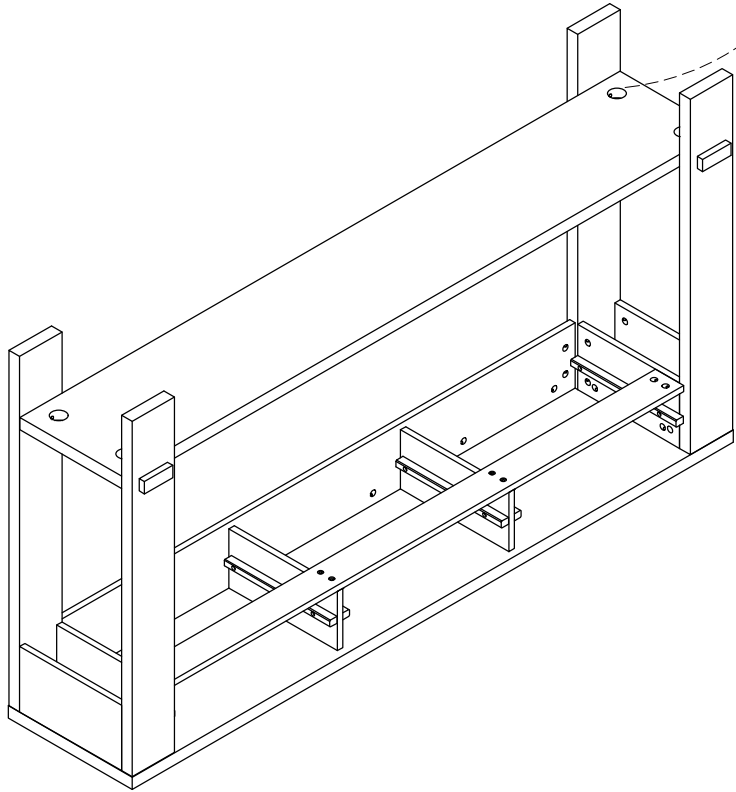
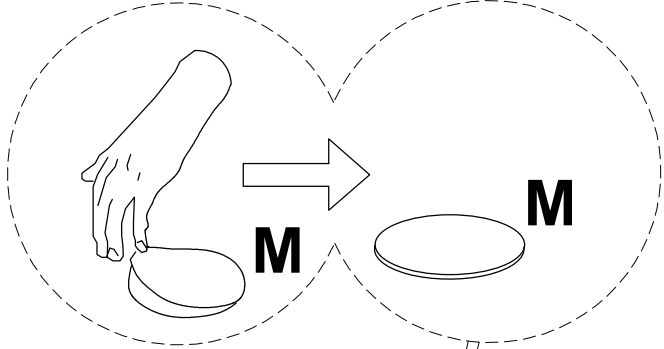
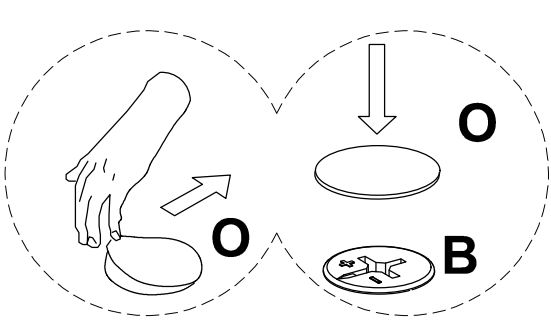
12

J	K	L	N	F	B
					
M8	M8	M8	M14	Ø8x30mm	Ø15x12mm
4 pcs	4 pcs	4 pcs	1 pc	24 pcs	18 pcs

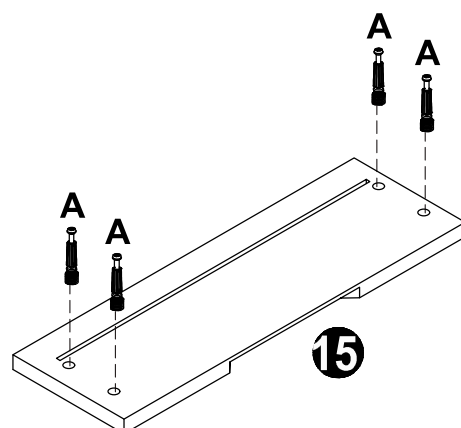
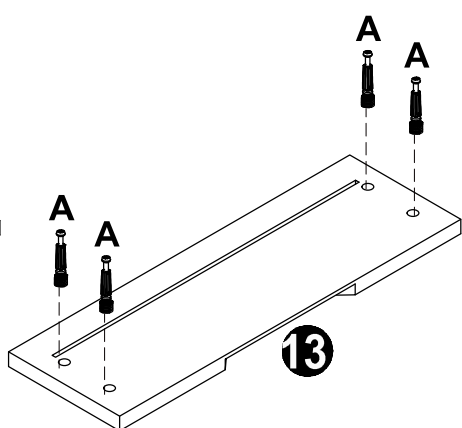
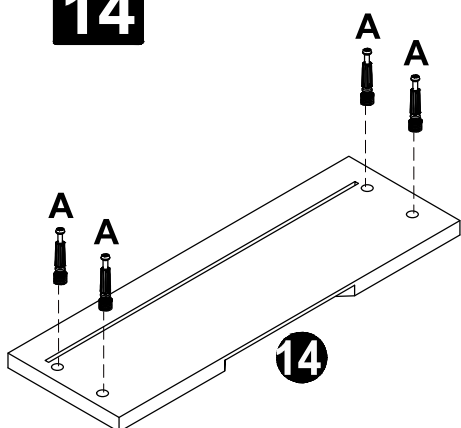


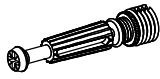
13

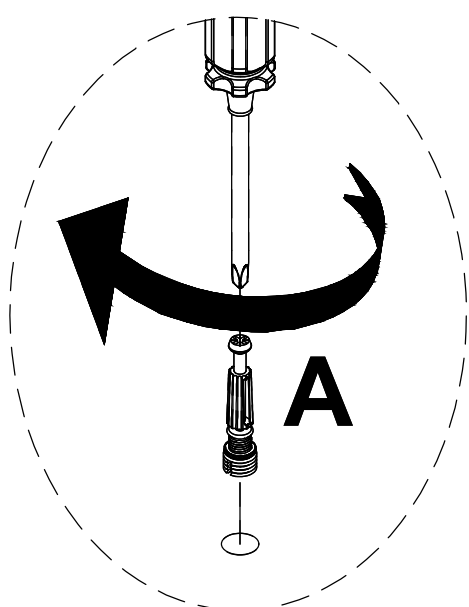
M	O
 Ø50	 Ø20mm
8 pcs	46 pcs



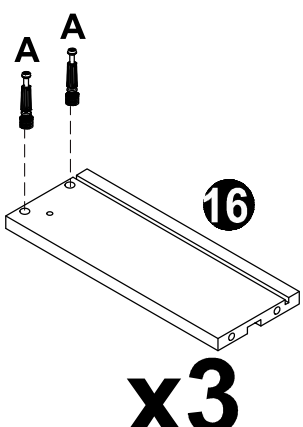
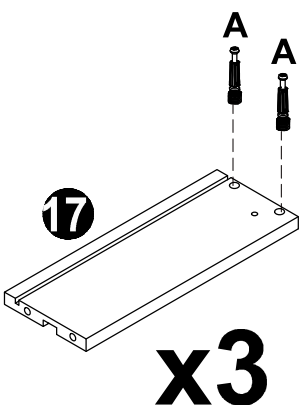
**14**

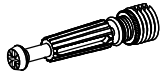


<b>A</b>

Ø6x40mm
12 pcs




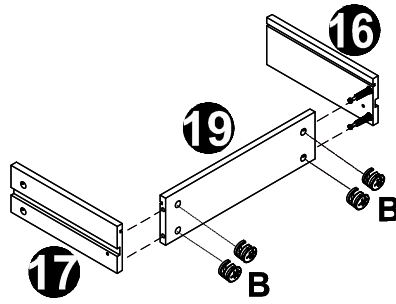
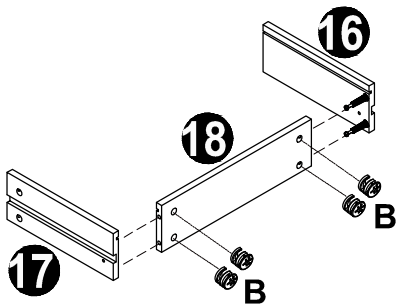
**15**



<b>A</b>

Ø6x40mm
12 pcs


16

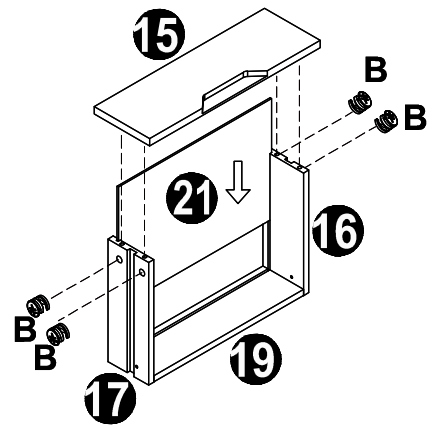
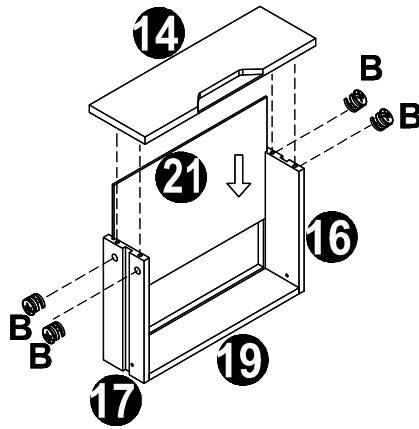
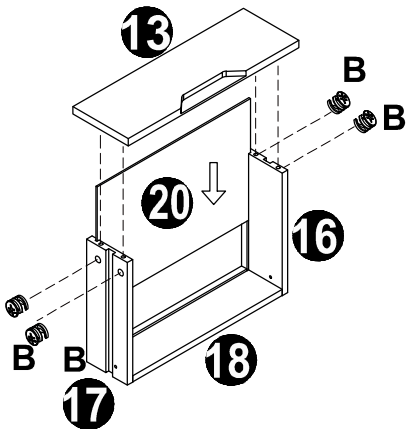
<b>B</b>

Ø15x12mm
12 pcs



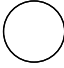
x2

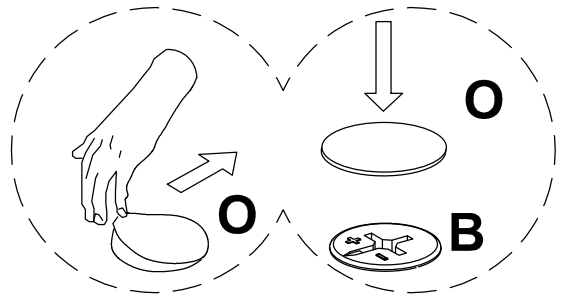
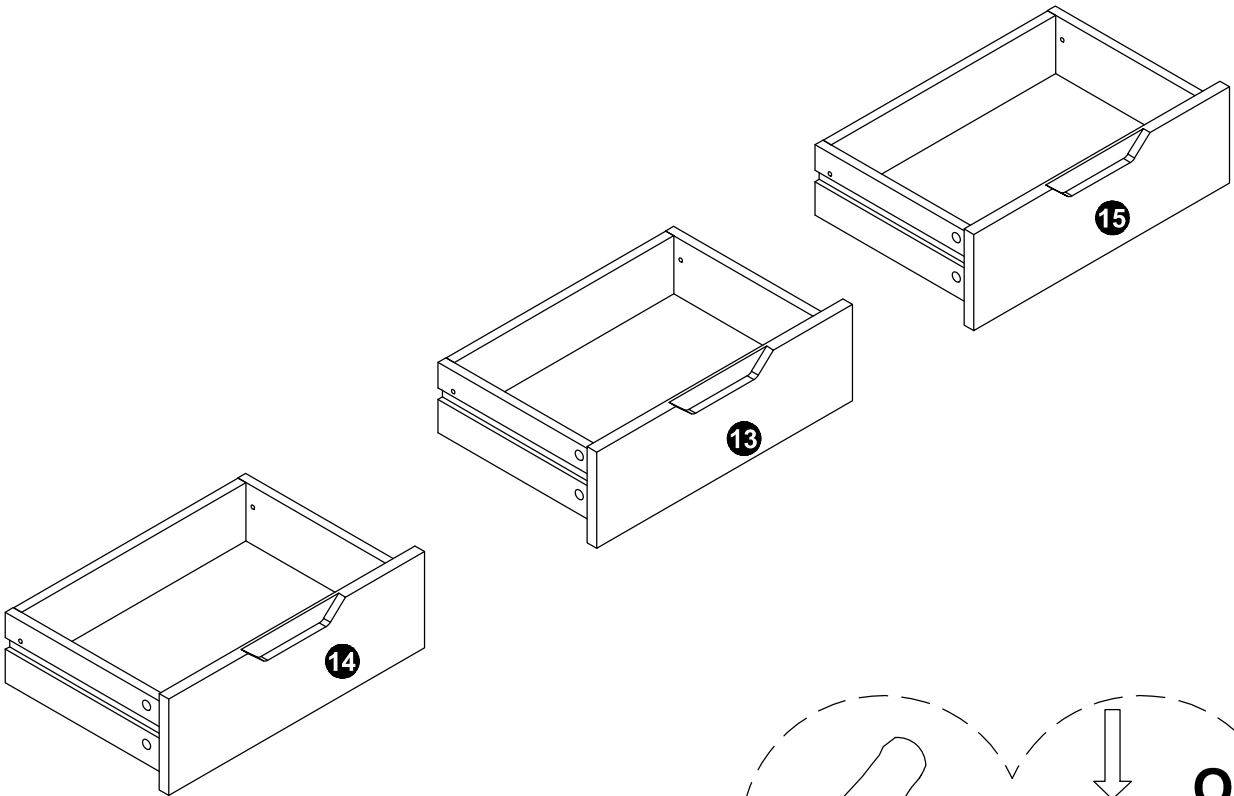
17

<b>B</b>

Ø15x12mm
12 pcs




18

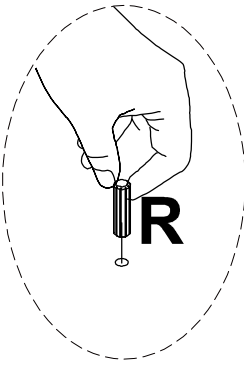
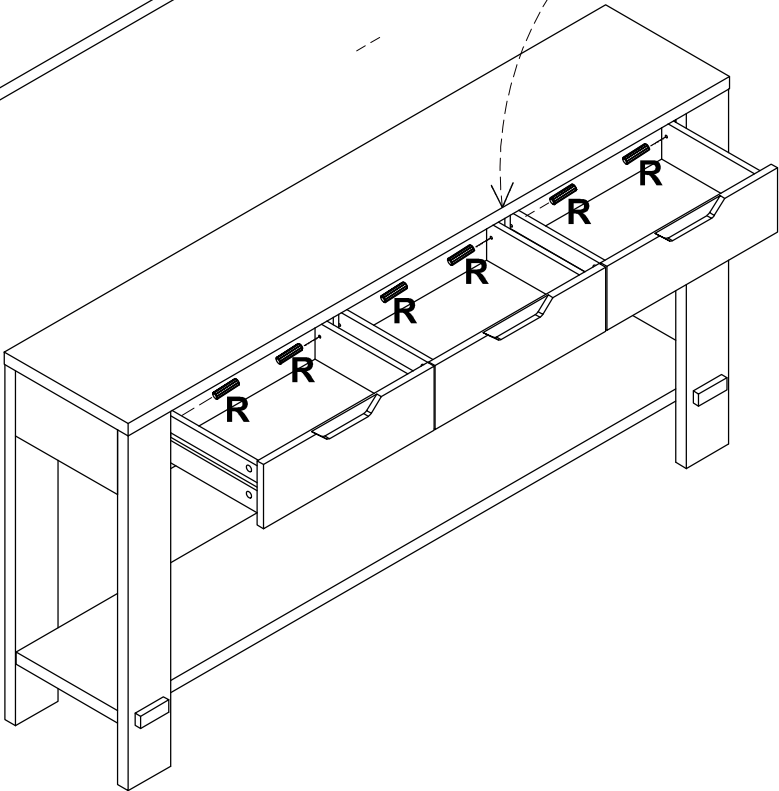
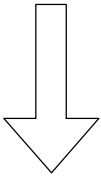
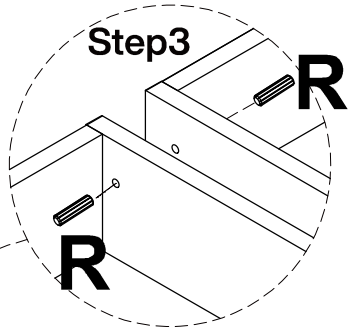
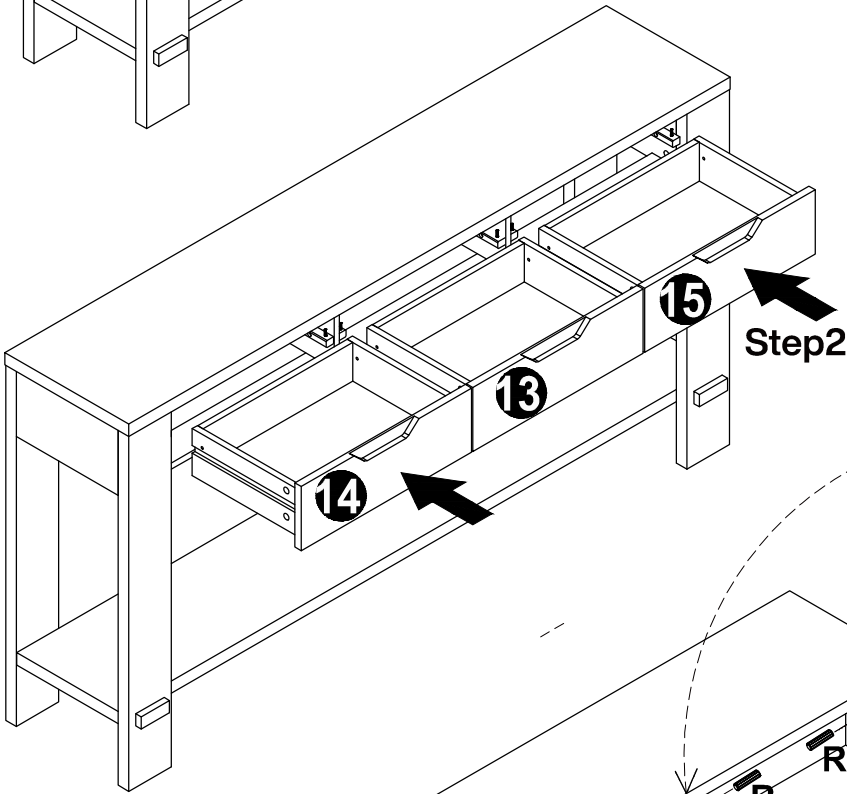
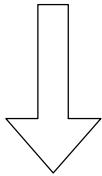
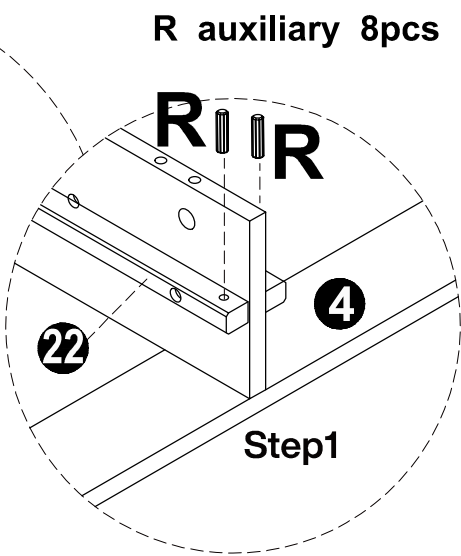
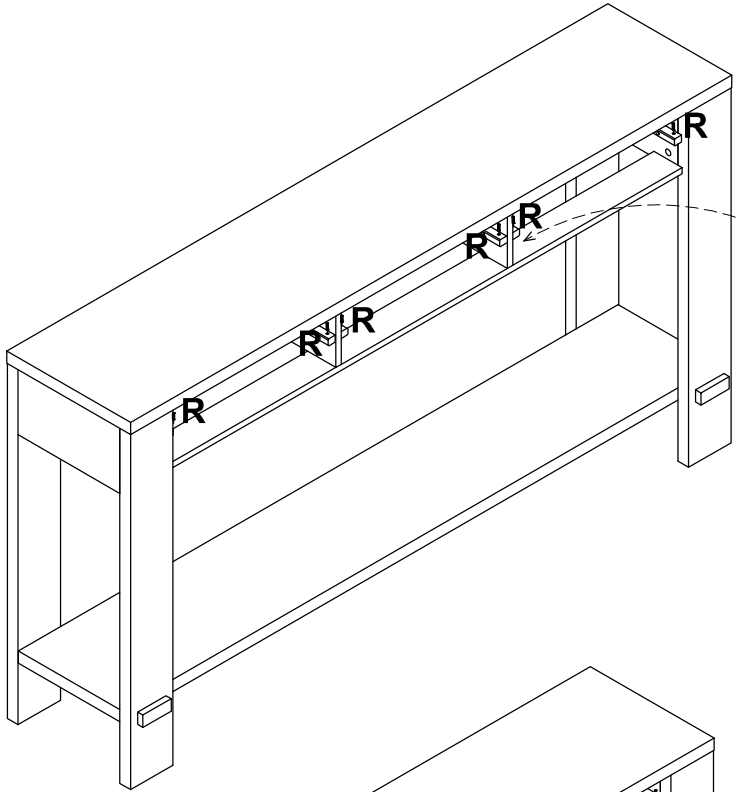
O
 Ø20mm
24 pcs




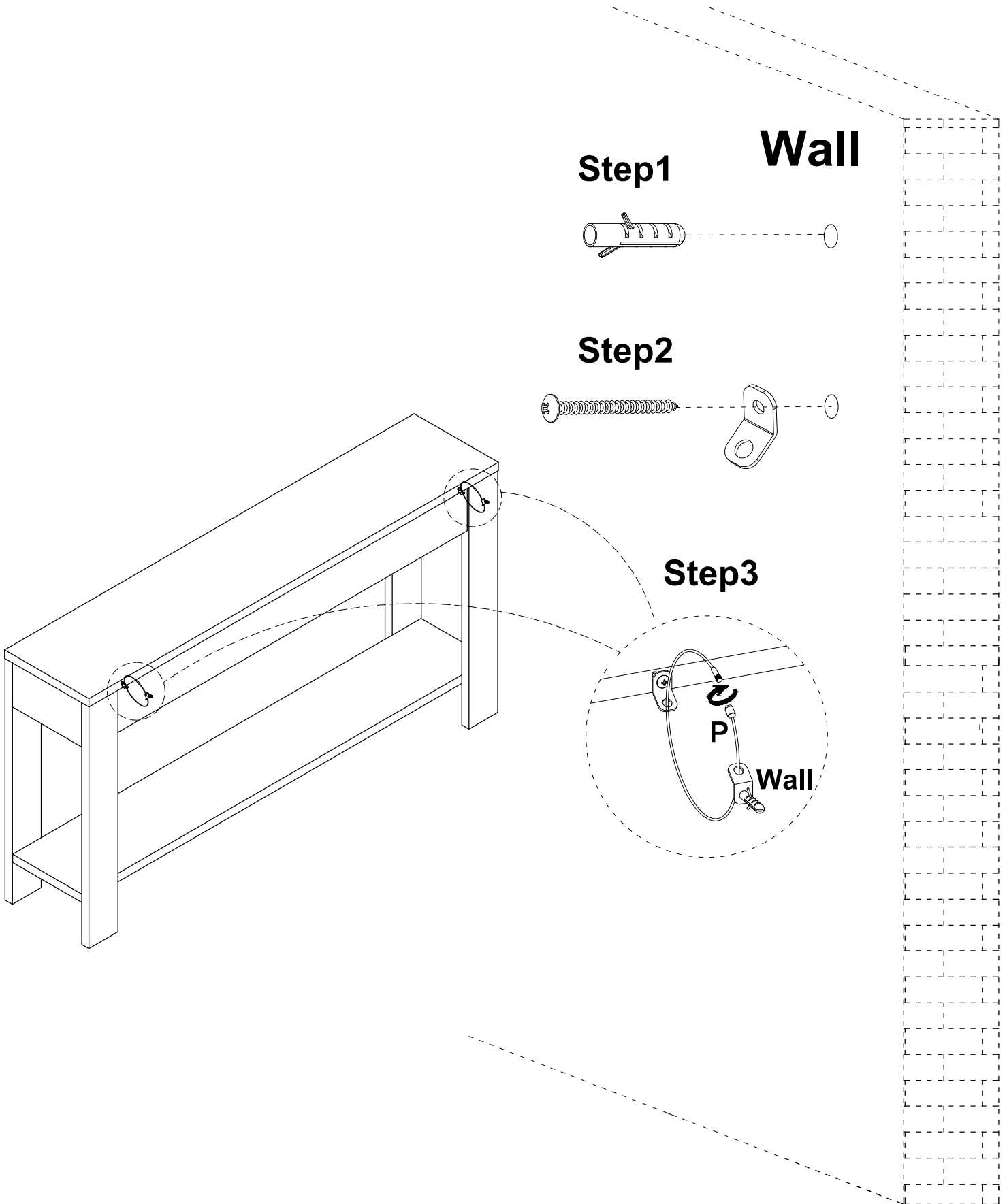
19

R

Ø6x30mm
20 pcs

R auxiliary 8 pcs



P

2 pcs



**Thank you for your support!**

