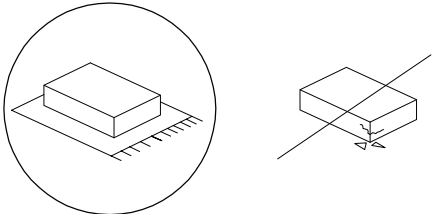
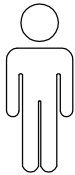
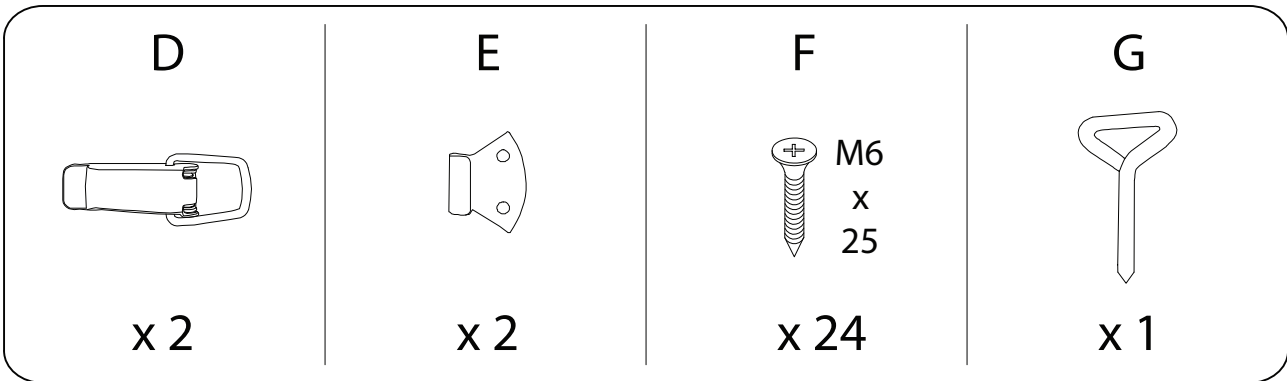
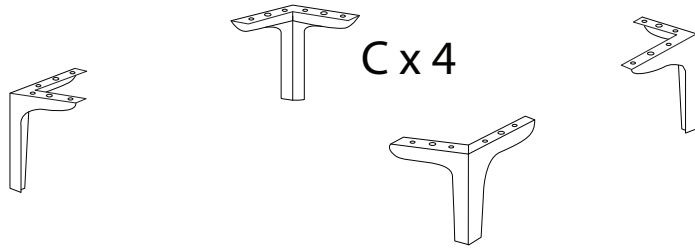
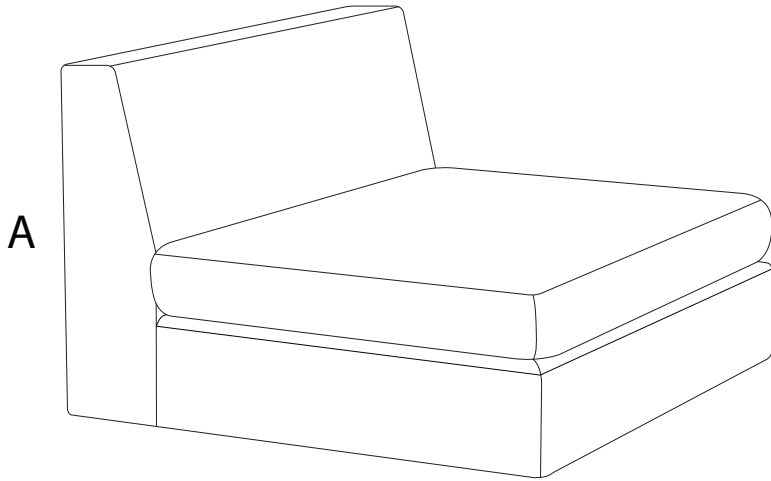
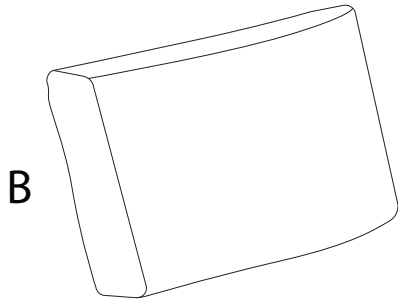
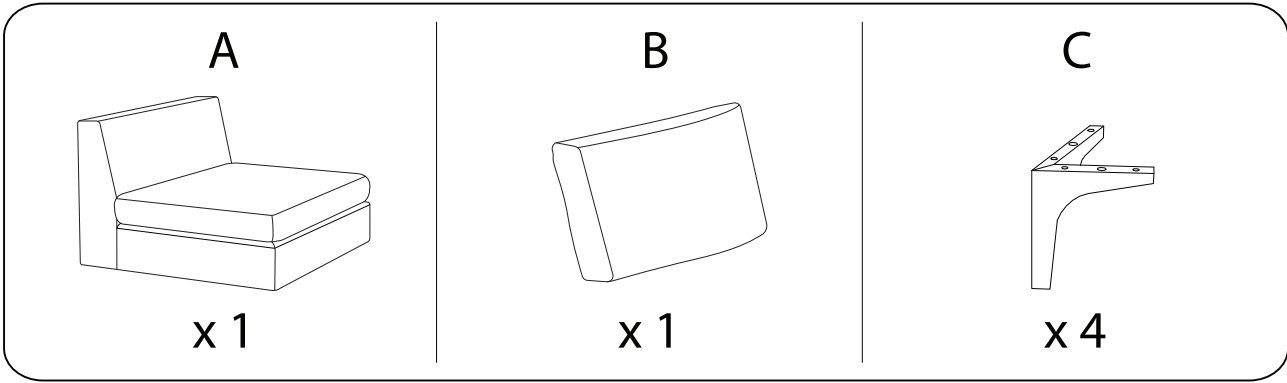
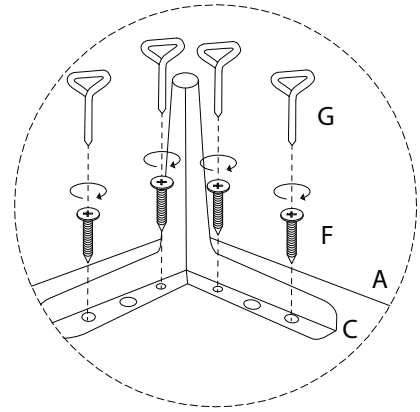
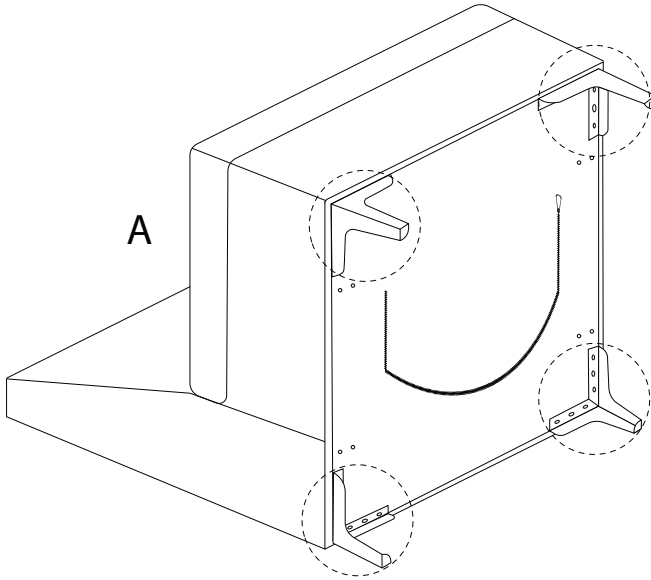
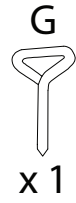
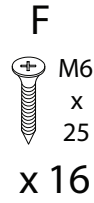
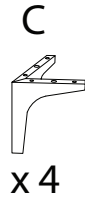
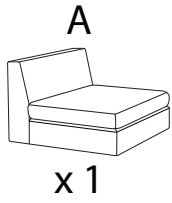
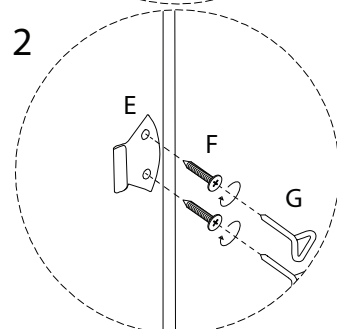
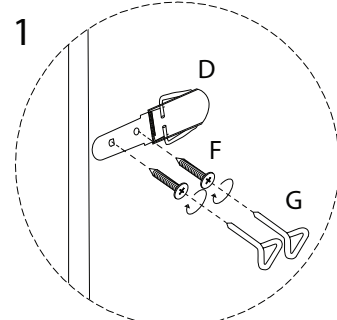
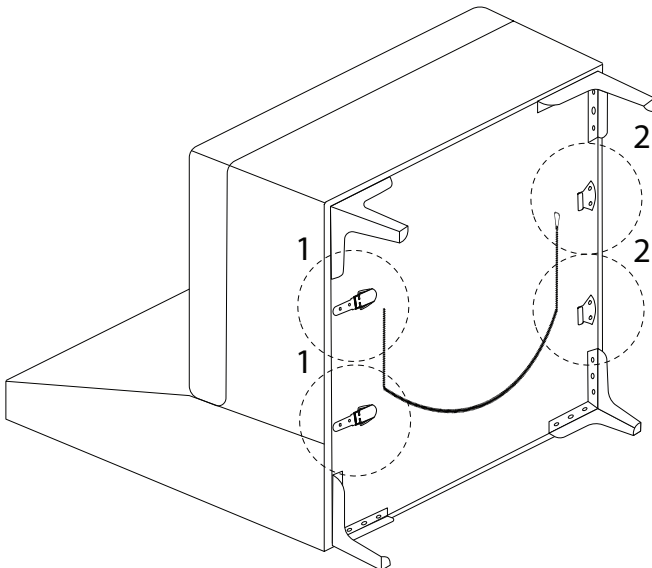
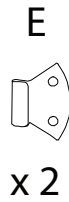
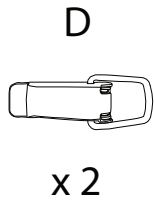
	<p>10'</p>
		
		<p>1</p>



1

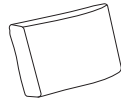


2

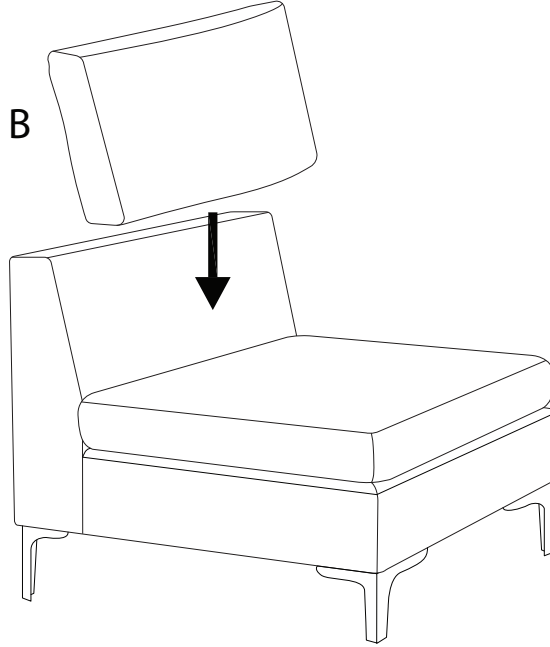


3

B



x 1



!

