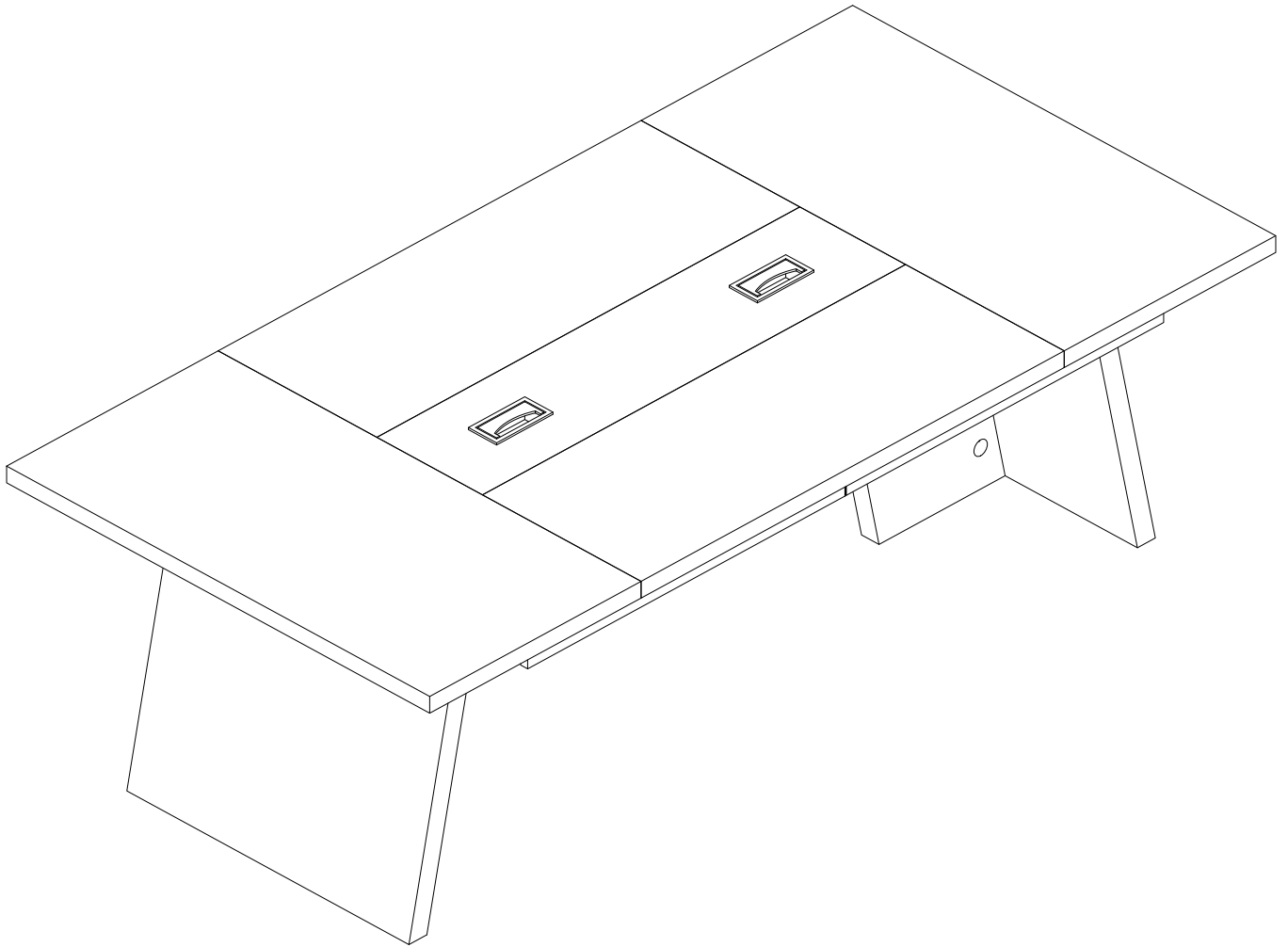


# Assembly Instructions



---

**Conference Table**

Model No.

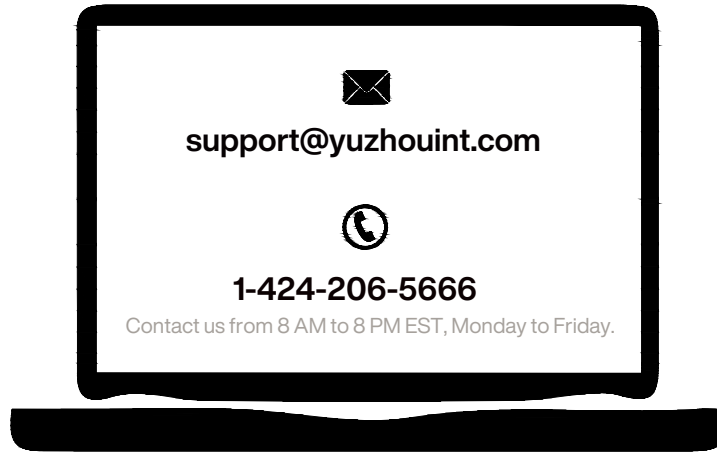
**HOGA-HL0196XX**

**HOGA-HL0396**

---

# Contact Us

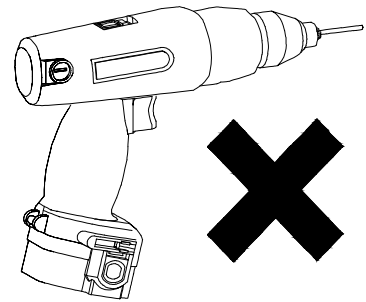
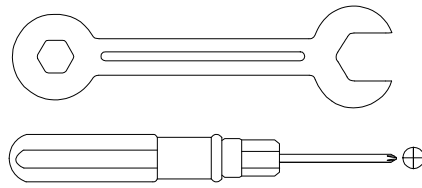
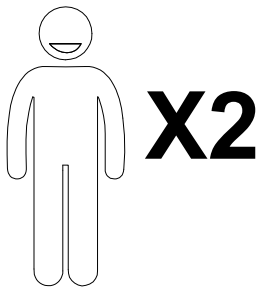
## We're here to help you.



Your satisfaction is our top priority. If you encounter any issues with this product, such as missing or damaged parts, we're here to help. Please retain the original packaging and take photos of the packaging and the product, then contact us as soon as possible.

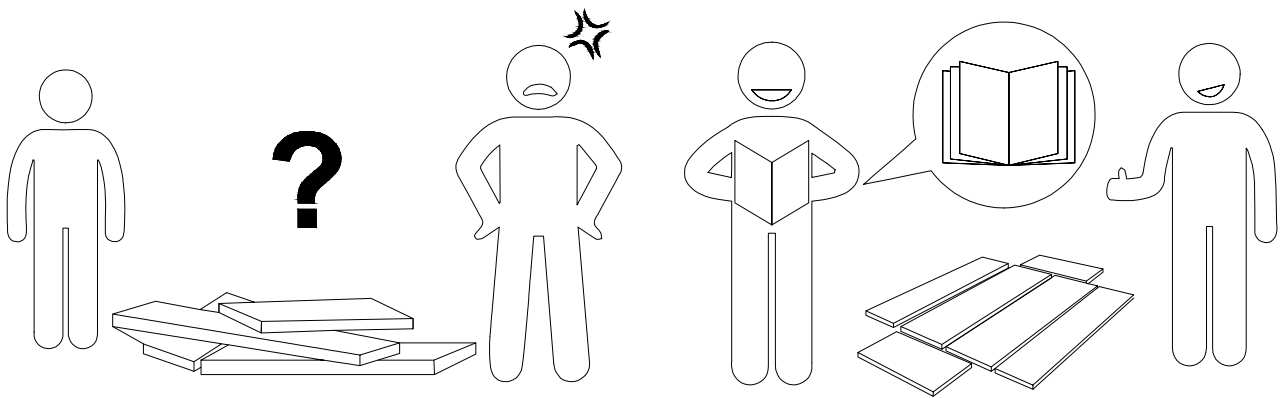
### Warm Tips

1. Carefully read these instructions and keep them for future reference.
2. Check the parts list and confirm everything's there before starting assembly.
3. When assembling, put all parts on a soft, smooth surface like a carpet to avoid scratches.
4. Don't fully tighten screws until all parts are confirmed in place to avoid misalignment.



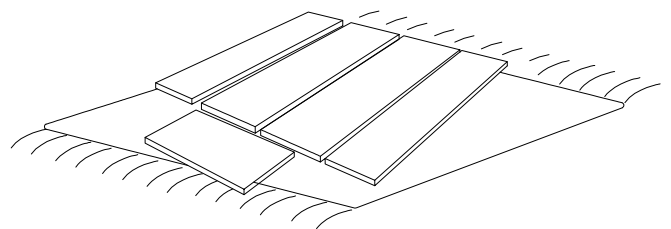
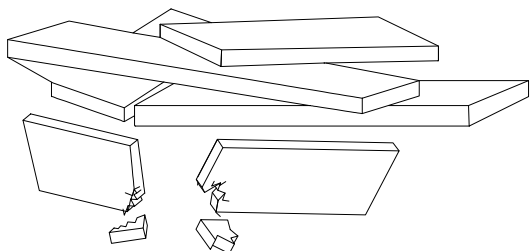
We recommend using hand tools for assembly.

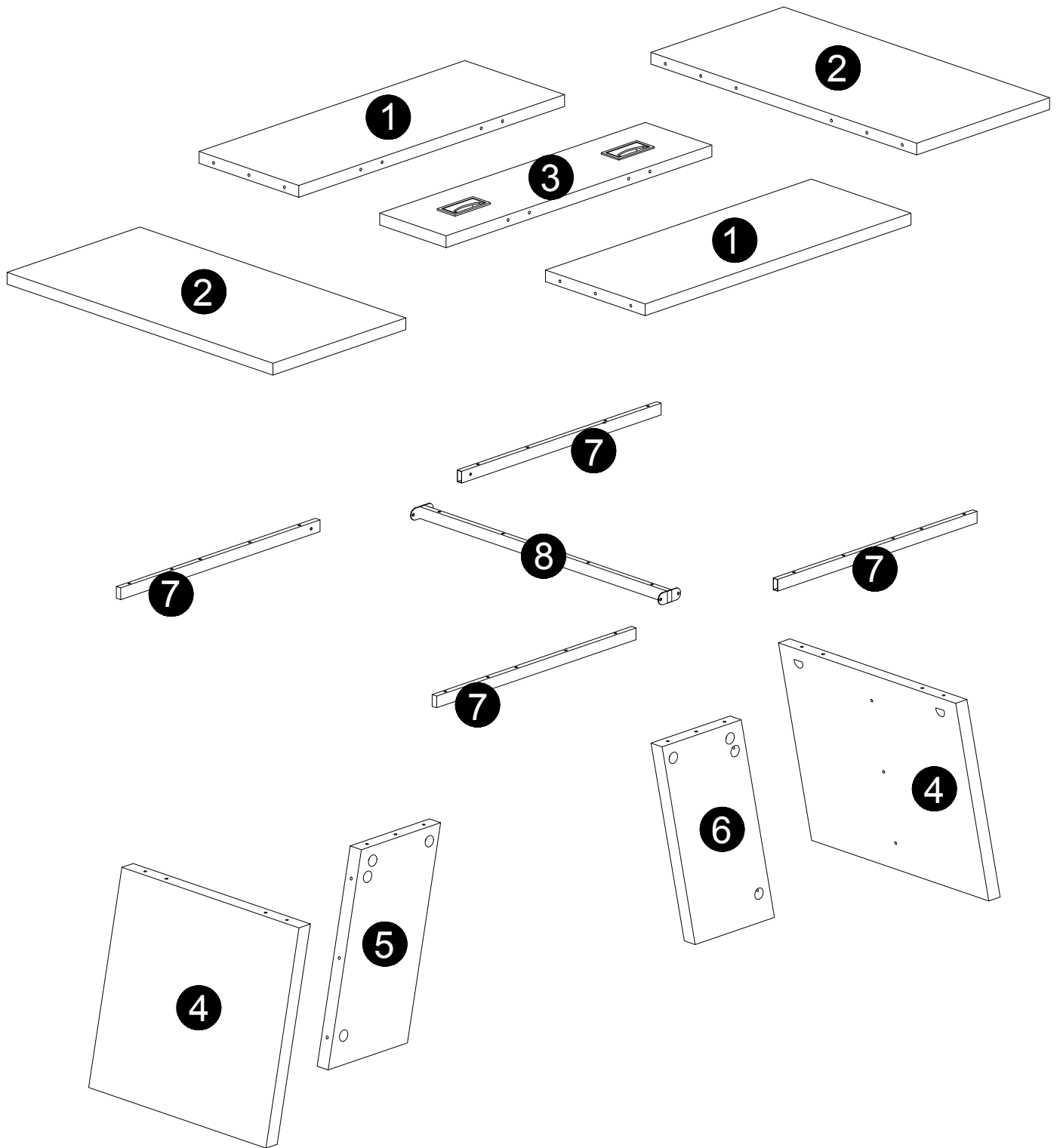
If an electric screwdriver is used, reduce power and torque to avoid damage to the product.



## AVOID SCRATCHES

In order to avoid scratching, this furniture should be assembled on a soft surface, such as a rug.

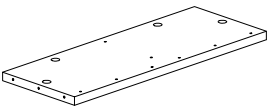
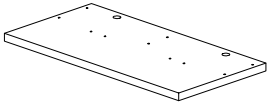
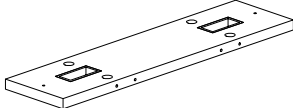
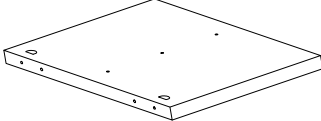
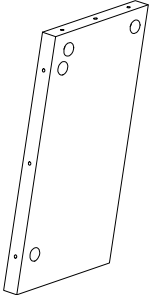
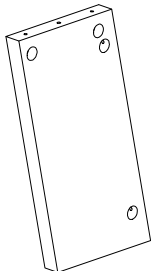
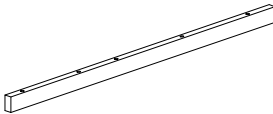
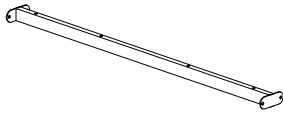




**⚠ Caution**

Make sure all parts are included. Most board parts are labeled or stamped on the raw edge. Contact us for a free replacement if you encounter any damaged or missing parts.

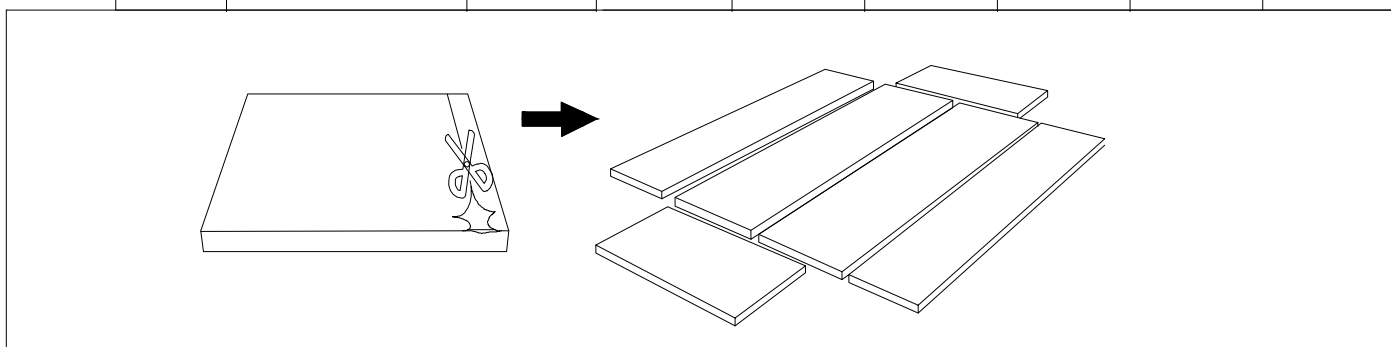
# Parts List

<p><b>1</b></p>  <p>2 pcs</p>	<p><b>2</b></p>  <p>2 pcs</p>	<p><b>3</b></p>  <p>1 pc</p>	<p><b>4</b></p>  <p>2 pcs</p>
<p><b>5</b></p>  <p>1 pc</p>	<p><b>6</b></p>  <p>1 pc</p>	<p><b>7</b></p>  <p>4 pcs</p>	<p><b>8</b></p>  <p>1 pc</p>
<p><b>●</b></p>			

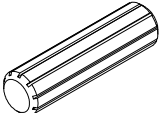
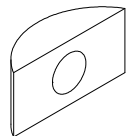
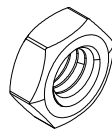
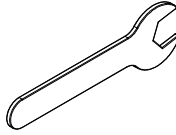
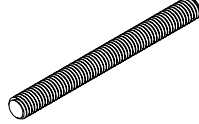
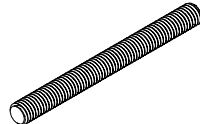
**Before installation, please check if you have received the A and B packages, and check if the parts are complete.**

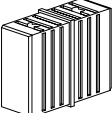
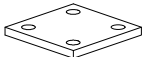
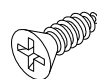
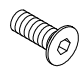
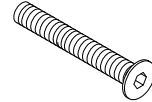
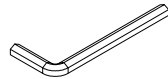
HOGA-HL0196XX-A			
HOGA-HL0396-A			
<b>1</b>	2pcs	<b>2</b>	2pcs
<b>3</b>	1pc	<b>7</b>	4pcs
<b>8</b>	1pc		
Hardware kit			


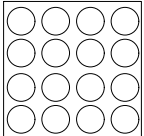
HOGA-HL0196XX-B			
HOGA-HL0396-B			
<b>4</b>	2pcs	<b>5</b>	1pc
<b>6</b>	1pc		



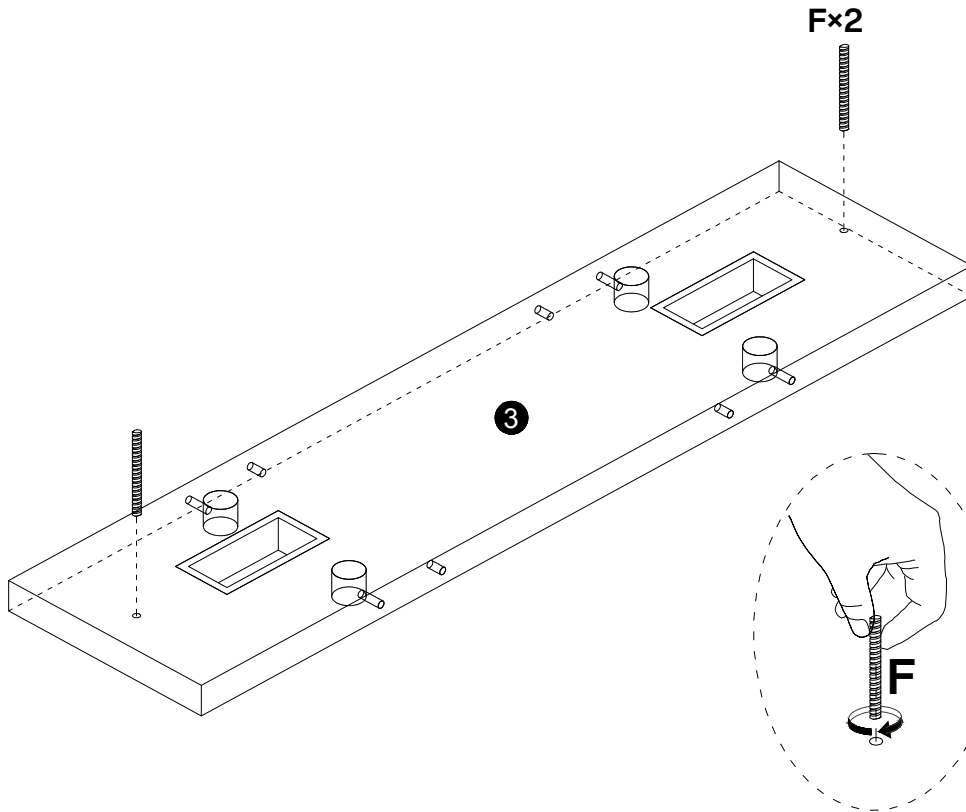
# Hardware List


A	B	C	D	E	F
					
Ø8x30mm	M8	M8	M14	Ø8x90mm	Ø8x60mm
20 pcs	28 pcs	28 pcs	1 pc	8 pcs	12 pcs

G	H	I	J	K	L
					
	35x35	Ø3.5x14mm	Ø6x16mm	Ø6x55mm	M3
2 pcs	4 pcs	16 pcs	8 pcs	24 pcs	1 pc

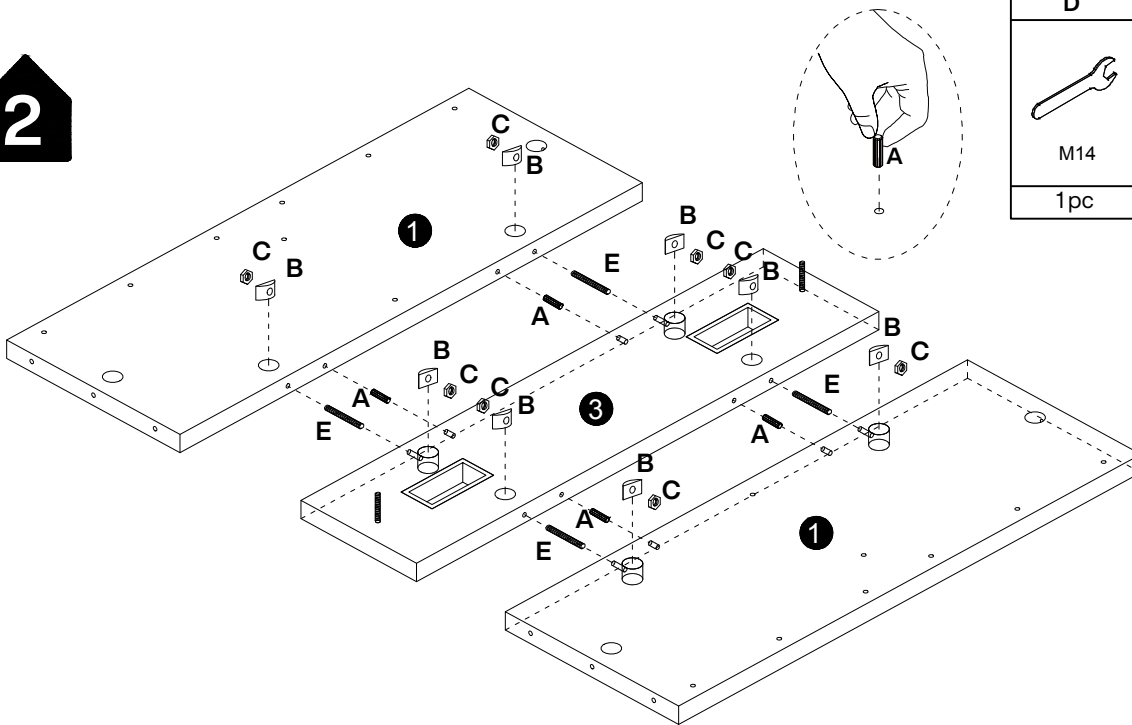
M	N				
					
Ø25	Ø40				
6 pcs	24 pcs				


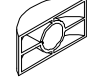

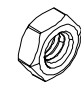
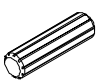

**1**

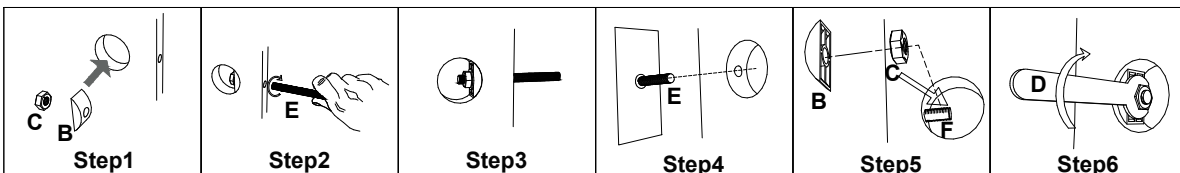


<b>F</b>

Ø8x60mm
2 pcs

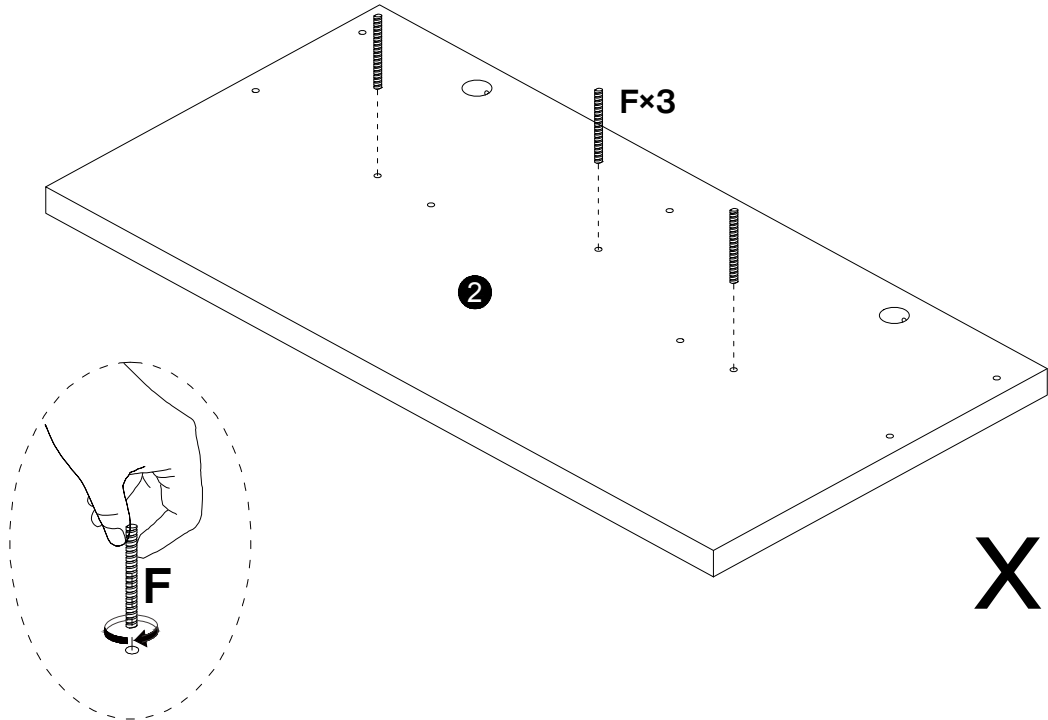
**2**




<b>D</b>	<b>B</b>	<b>E</b>
		
M14	M8	Ø8x90mm
1pc	8 pcs	4 pcs
	<b>C</b>	<b>A</b>
		
	M8	Ø8x30mm
	8 pcs	4 pcs



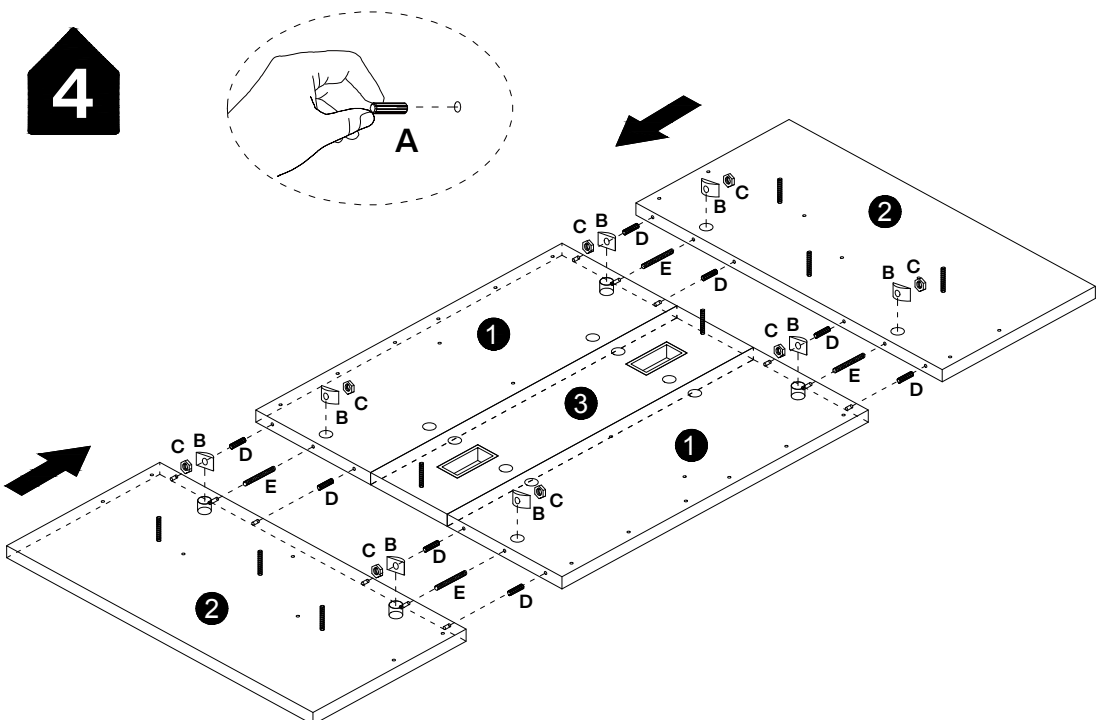
**3**

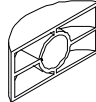


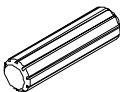


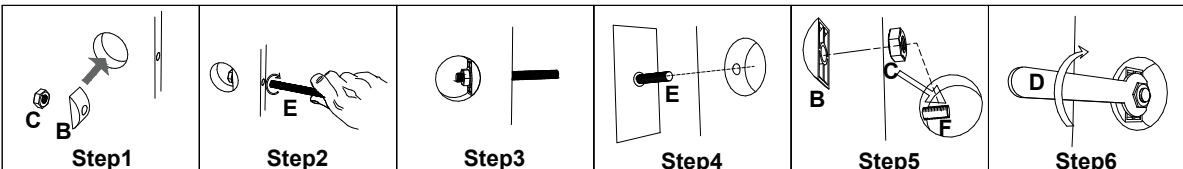
<b>F</b>

Ø8x60mm
6 pcs

**x2**

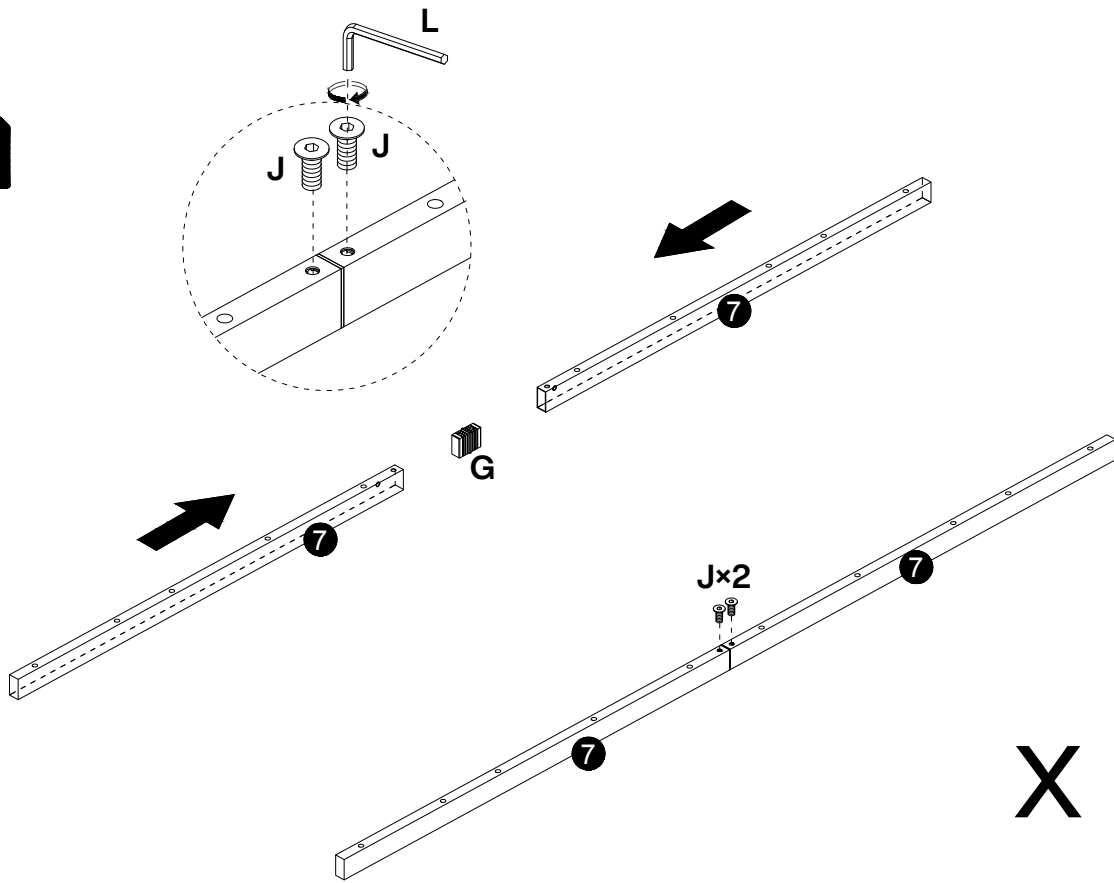
**4**

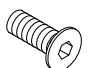
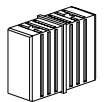


<b>B</b>	<b>E</b>
	
M8	Ø8x90mm
8 pcs	4 pcs
<b>C</b>	<b>A</b>
	
M8	Ø8x30mm
8 pcs	8 pcs



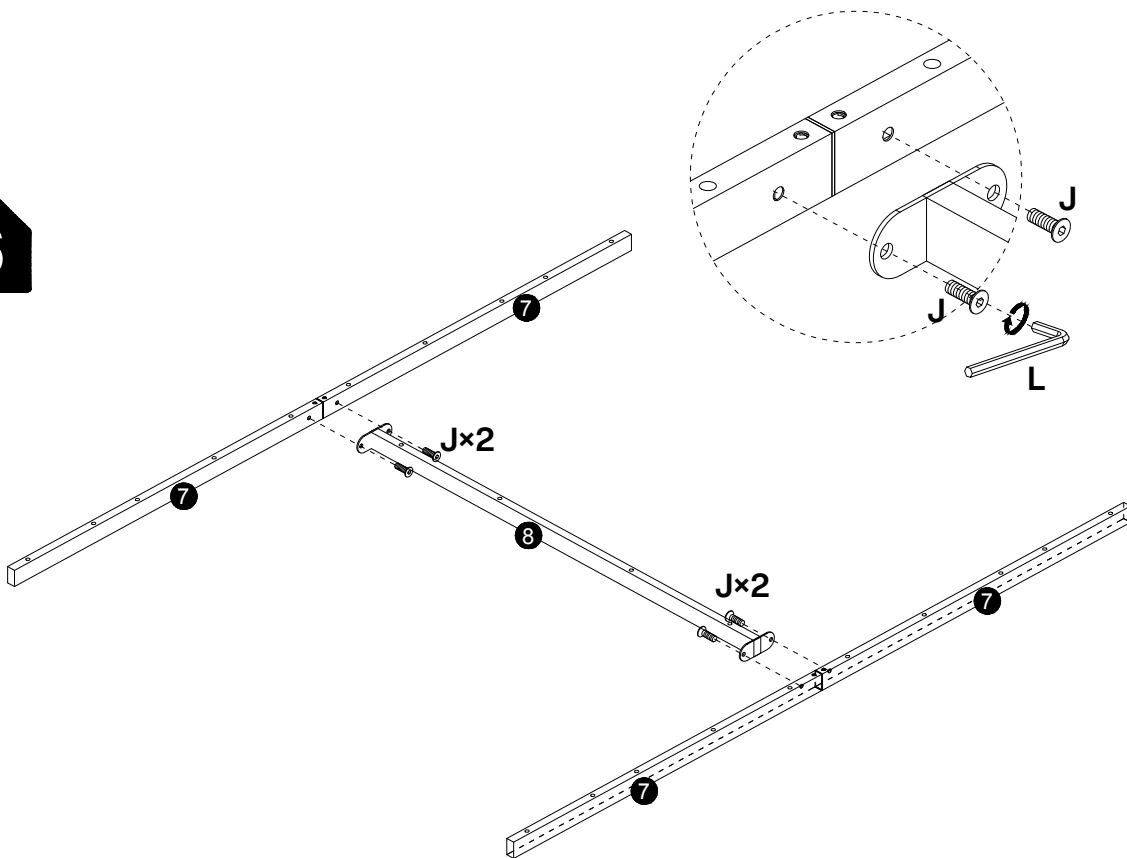
5

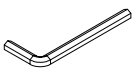


J
 Ø6x16mm
4 pcs
G

2 pcs

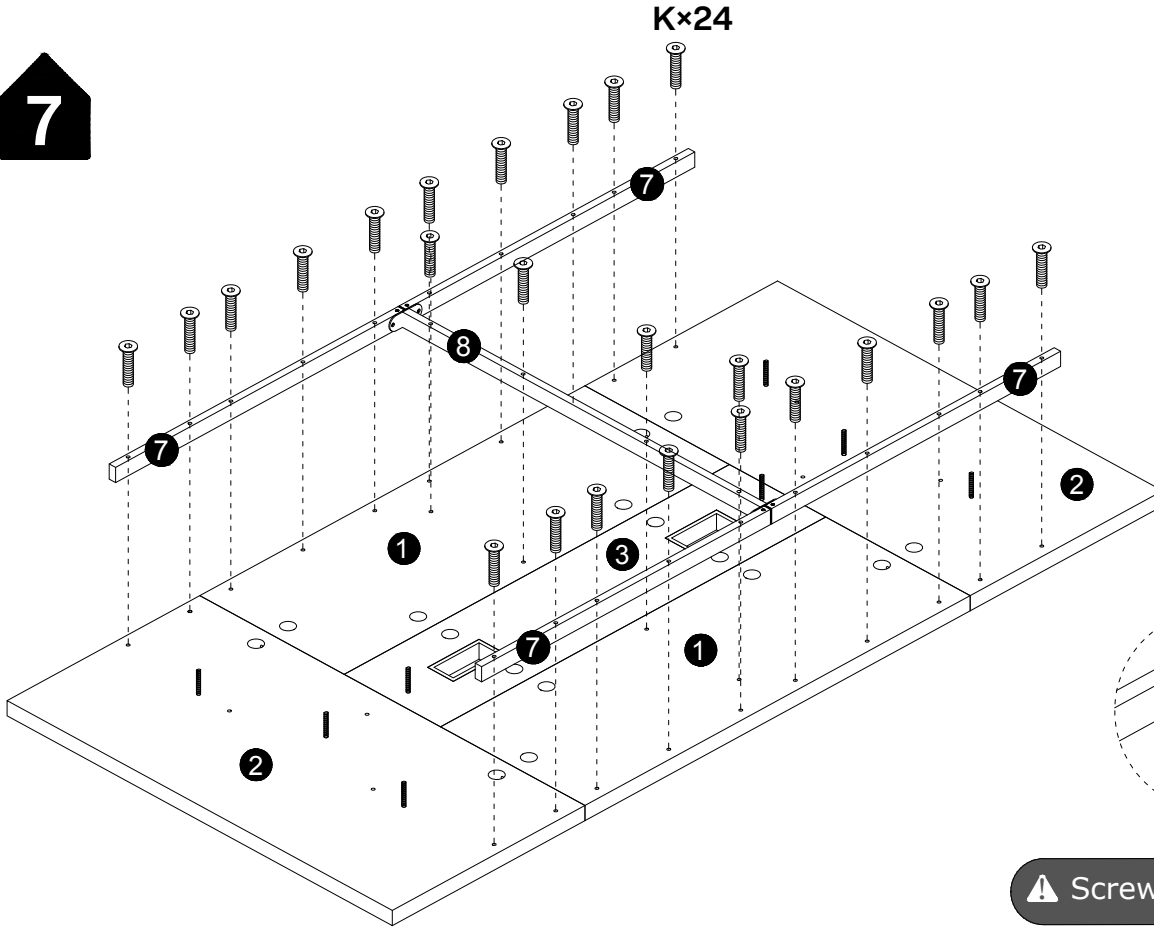
x 2

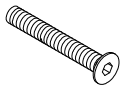
6



J
 Ø6x16mm
4 pcs
L
 M3
1 pc

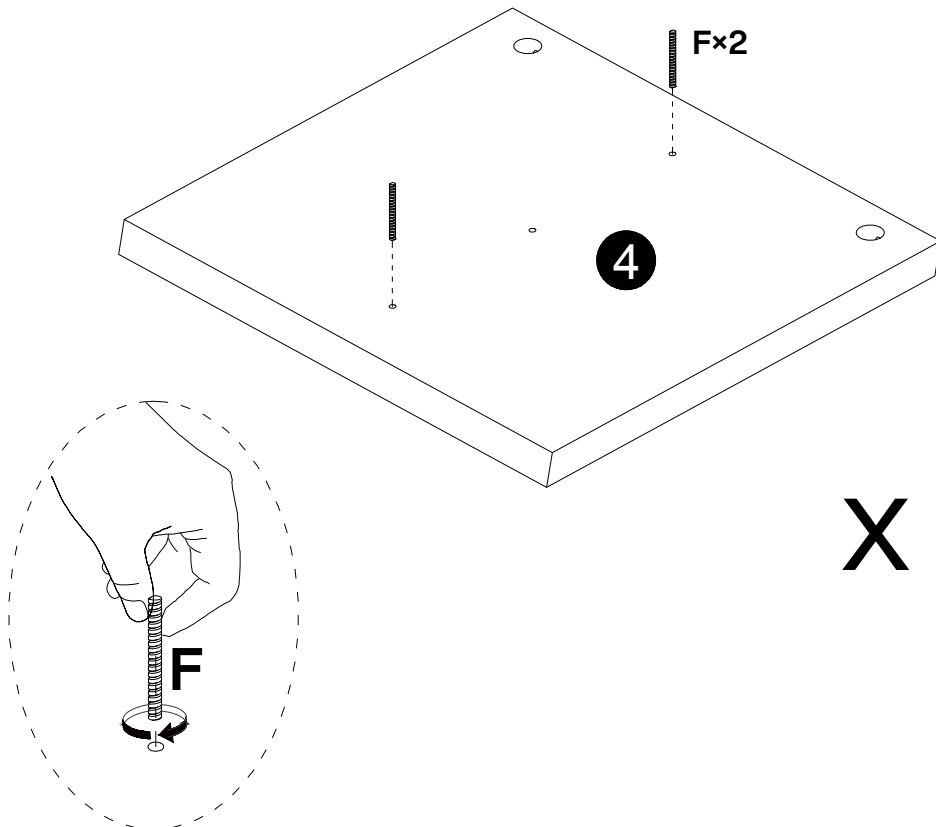
7




<b>K</b>

Ø6x55mm
24 pcs

⚠ Screw M6x55mm

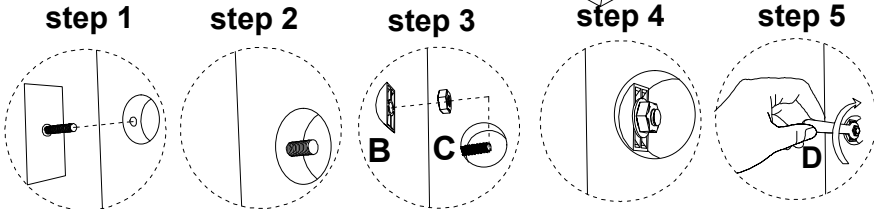
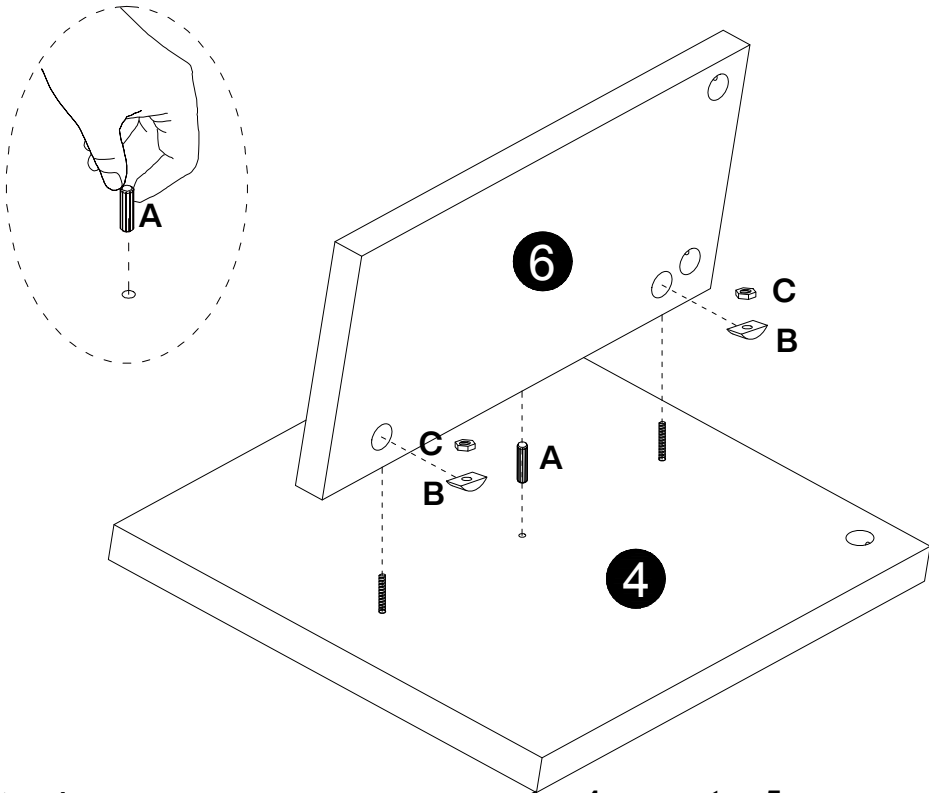
8

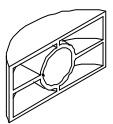
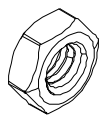
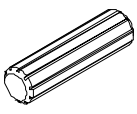


<b>F</b>

Ø8x60mm
4 pcs

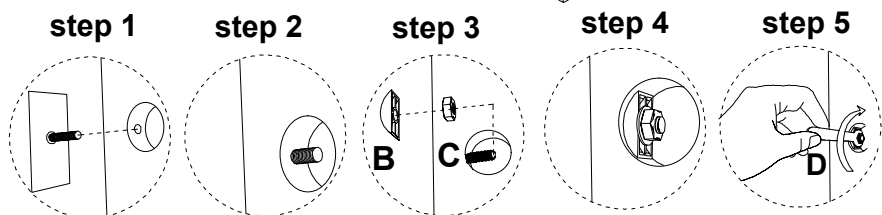
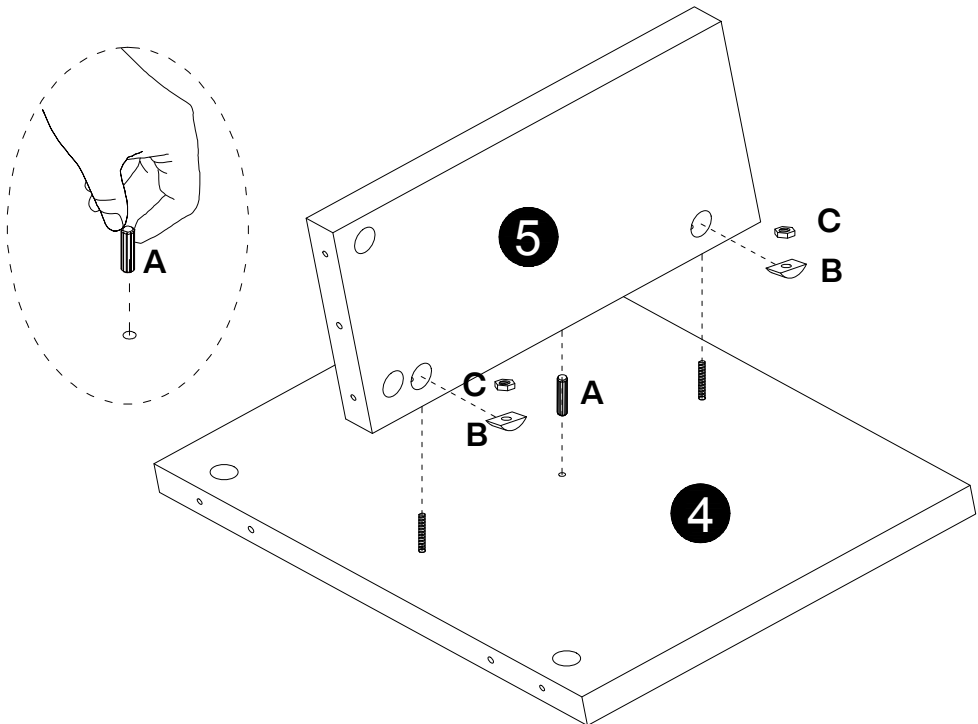
x2

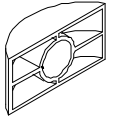
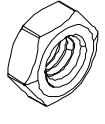
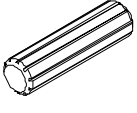
9



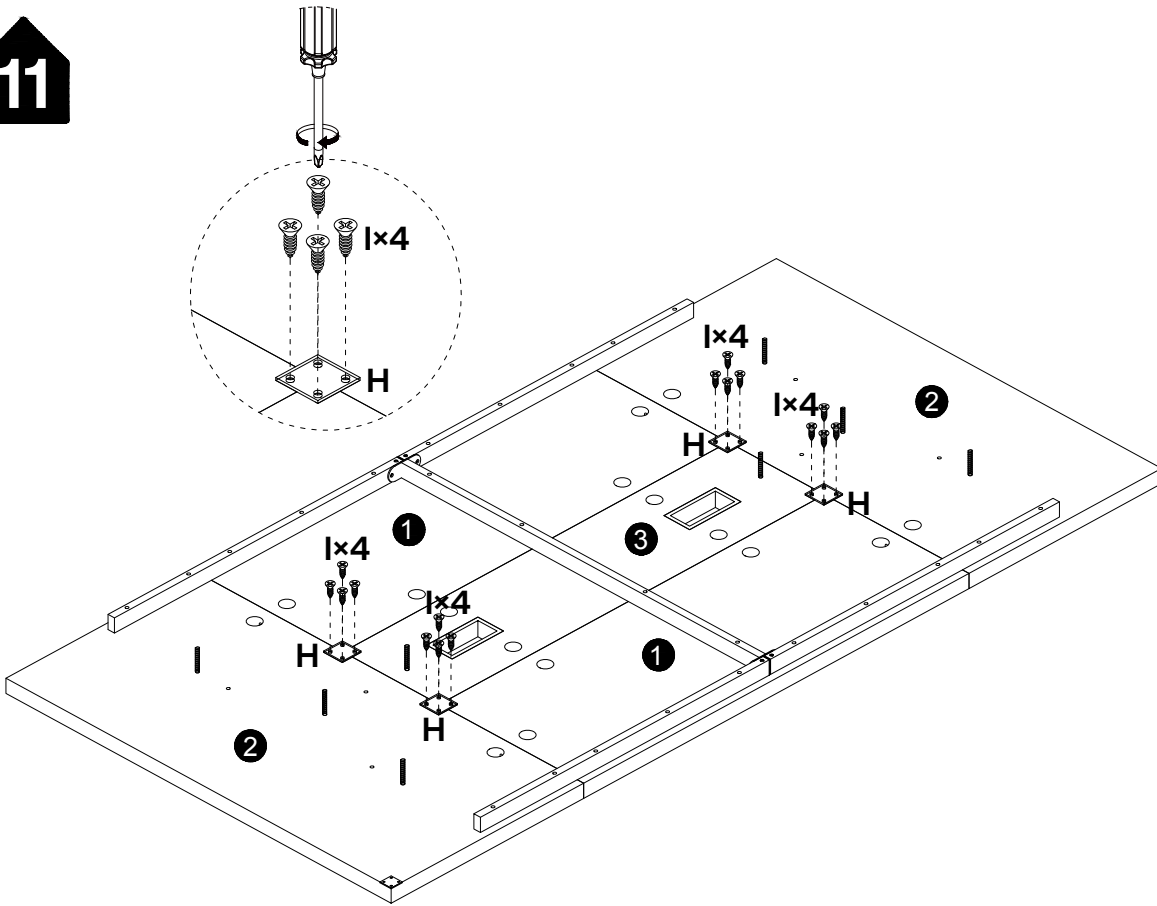
<b>B</b>

M8
2 pcs
<b>C</b>

M8
2 pcs
<b>A</b>

Ø8x30mm
1 pc

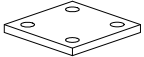
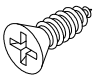
10



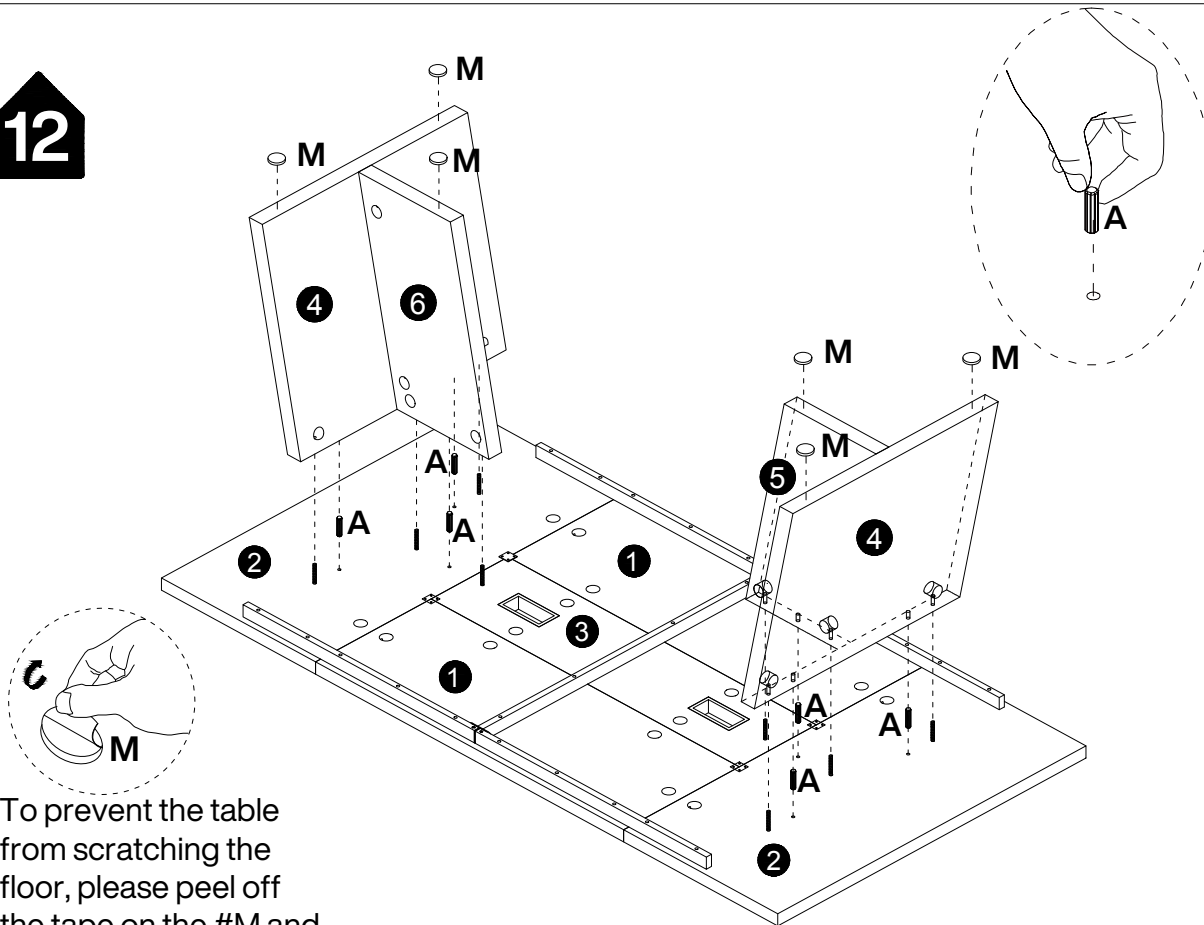
<b>B</b>

M8
2 pcs
<b>C</b>

M8
2 pcs
<b>A</b>

Ø8x30mm
1 pc

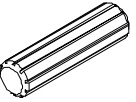

**11**

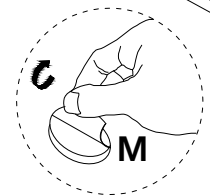


<b>H</b>

4 pcs
<b>I</b>

Ø3.5x14mm
16 pcs

**12**

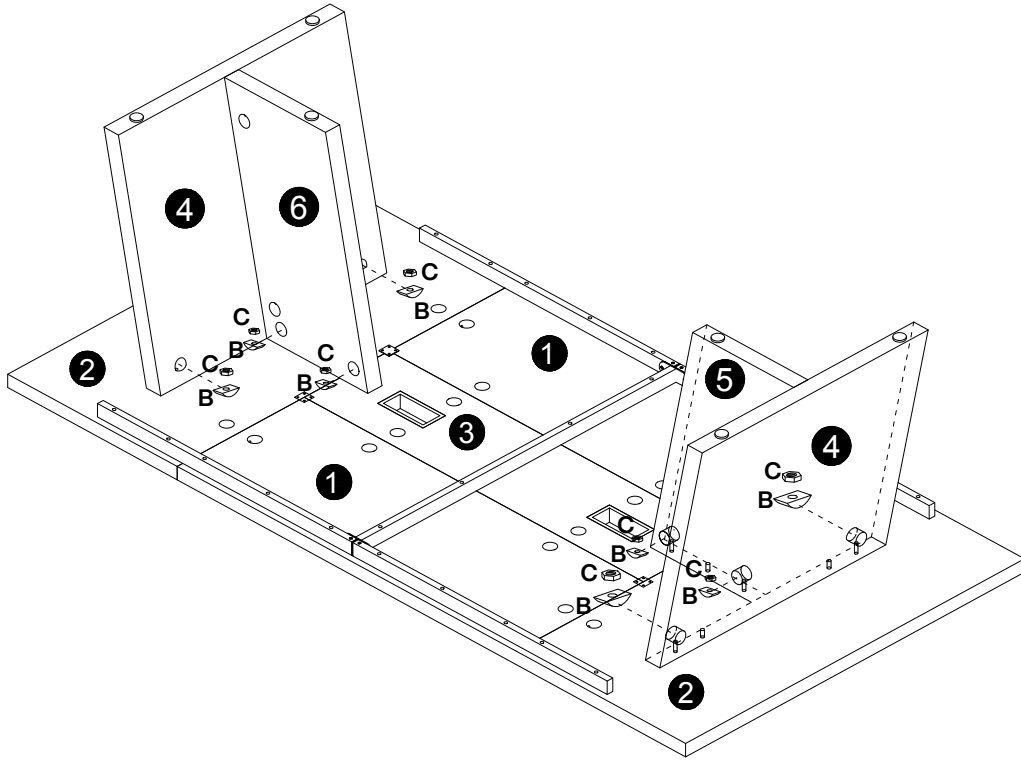


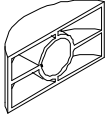
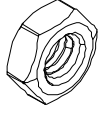
<b>A</b>

Ø8x30mm
6 pcs
<b>M</b>

Ø25x2mm
6 pcs



To prevent the table from scratching the floor, please peel off the tape on the #M and tape them to the corners of the table before use.

13



<b>B</b>

M8
8 pcs
<b>C</b>

M8
8 pcs

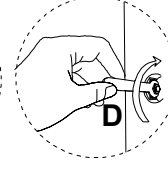
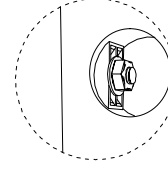
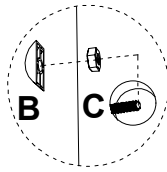
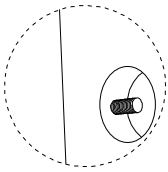
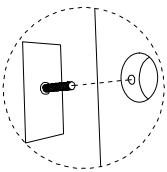
step 1

step 2

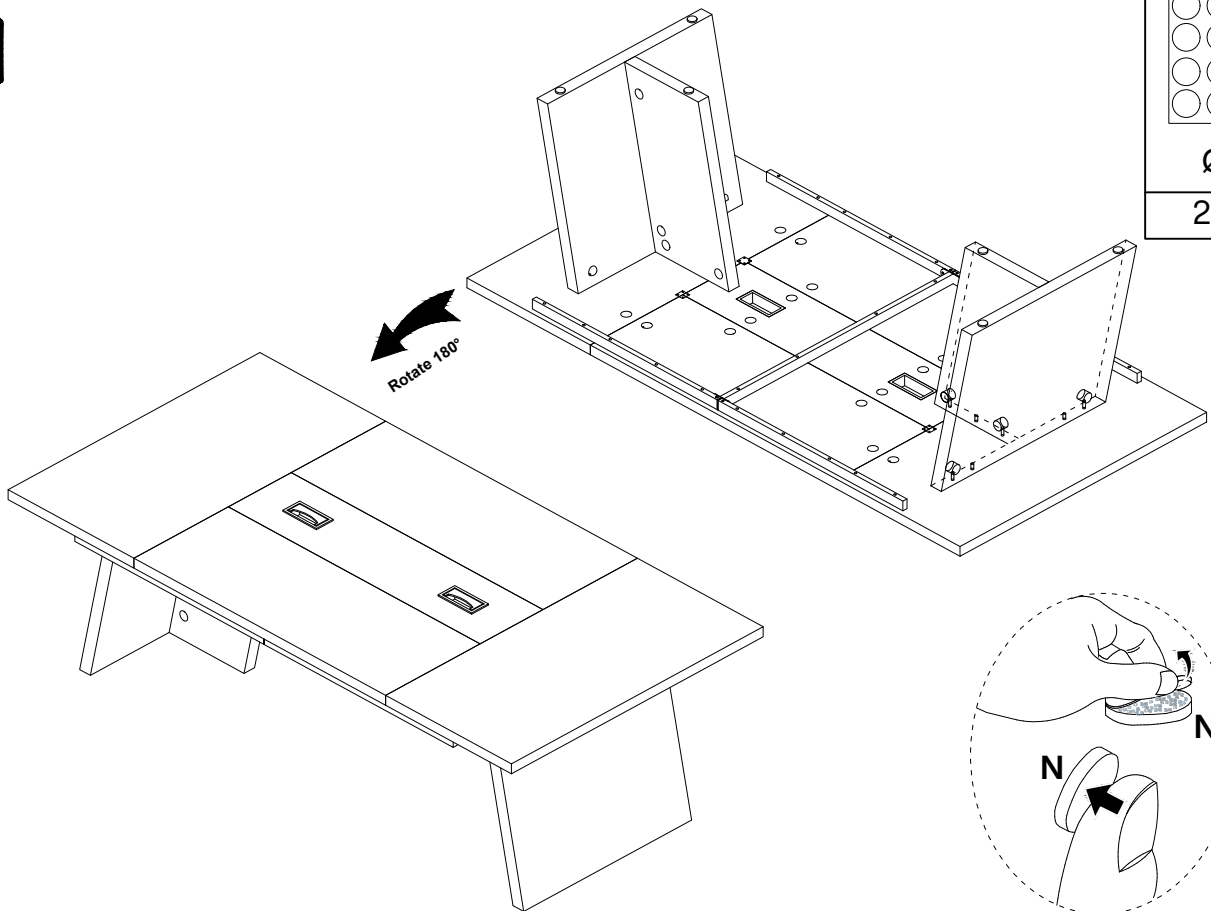
step 3

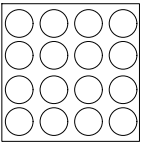
step 4

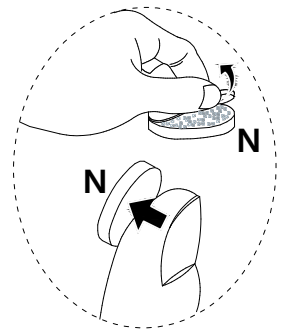
step 5



14



<b>N</b>

Ø40
24 pcs



**Thank you for your support!**

