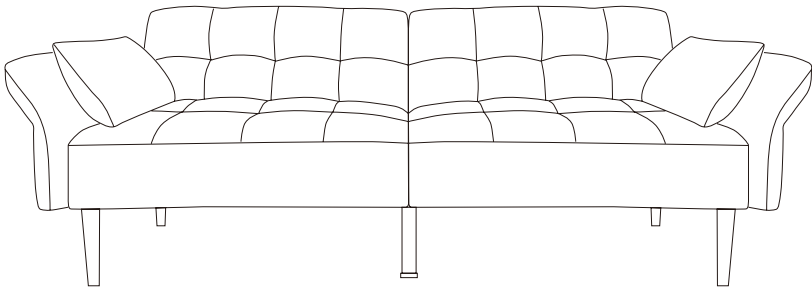


SOFA INSTALLATION INSTRUCTIONS



Thank you for choosing our products.
To ensure a smooth installation, please read these instructions carefully and follow the steps provided below.

IMPORTANT:RETAIN FOR FUTURE REFERENCE. READ CAREFULLY.

Instructions for use:

- *Place the sofa securely on a flat surface.
- *Keep away from open flames.
- *Do not overload the sofa.

Precautions before assembly:

- *Prepare a clean and dry area for assembly.
- *Ensure the product is not damaged.
- *Verify that all parts are included.

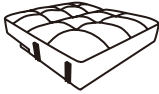
Maintenance:

- *Clean with a soft cloth.
- *Regularly check the stability of the seating.

Storage conditions:

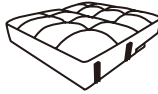
- *Store the fabric completely dry in a clean, dry place to prevent mold growth.

PARTS



A x 1

left



B x 1

right



C x 1

left



D x 1

right



E x 1

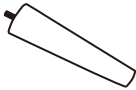
left



F x 1

right

HARDWARE



G x 4



H x 4



I x 6



J x 2



K x 4

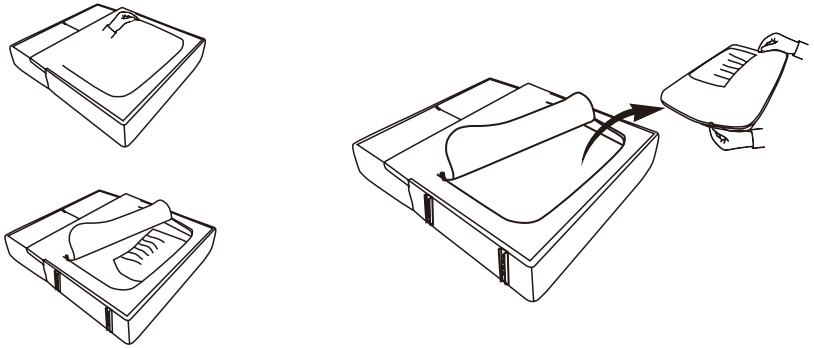


L x 4

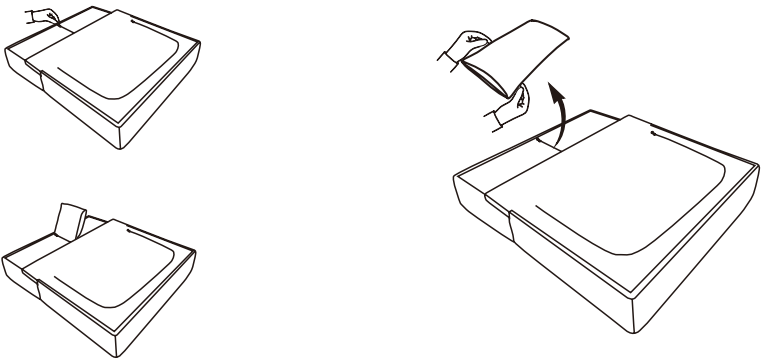


M x 2

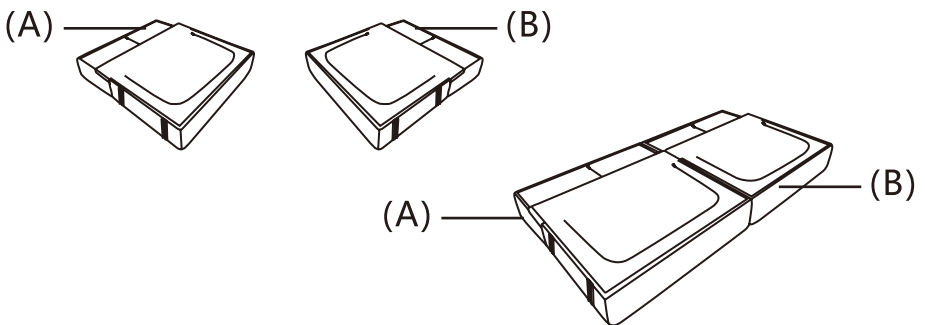
01



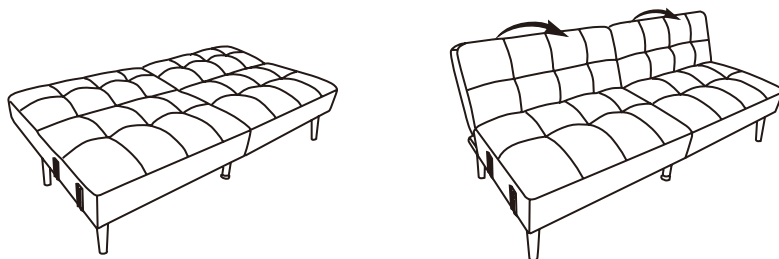
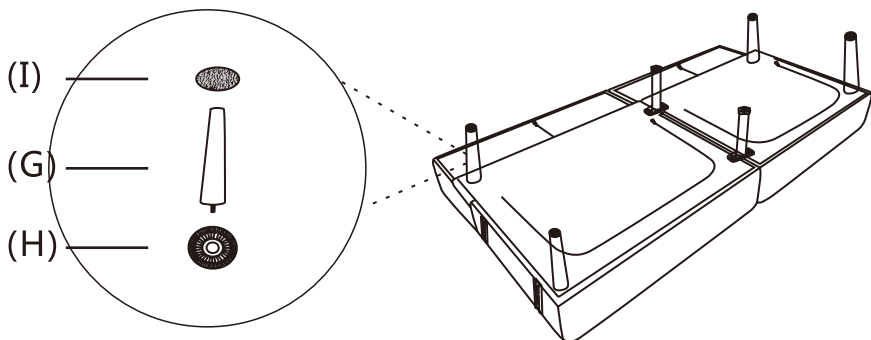
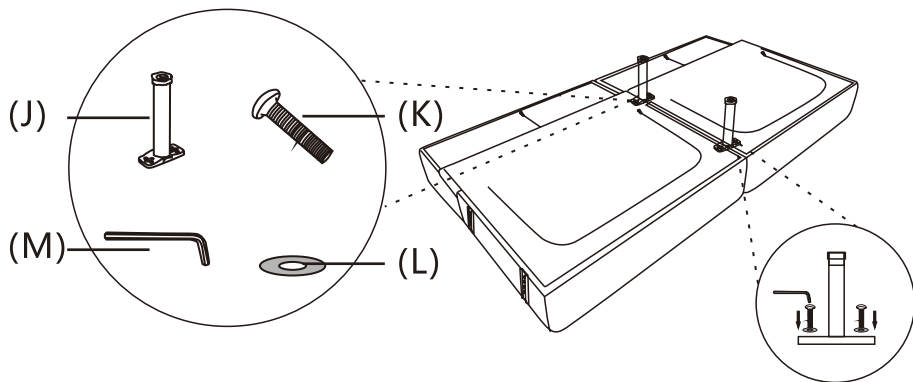
02

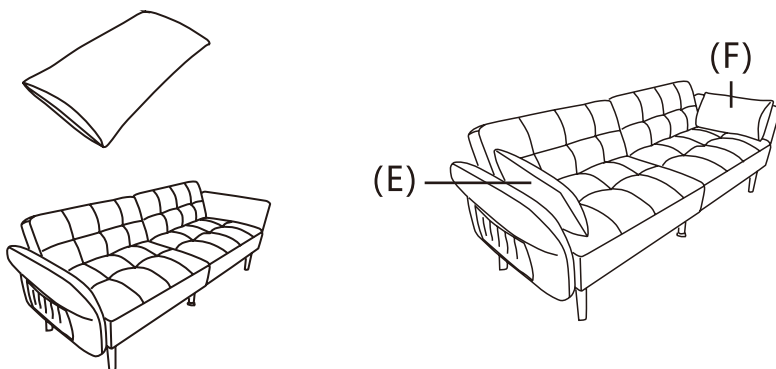
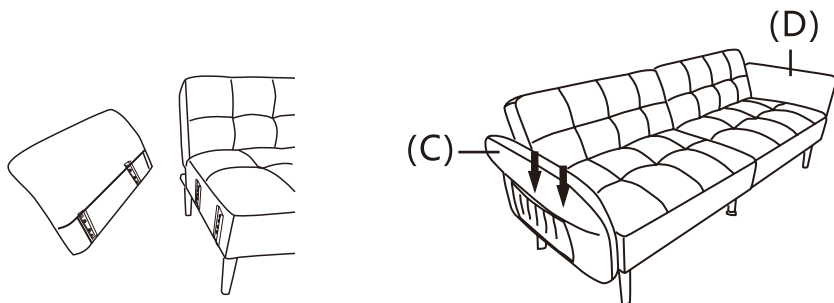


03



*Please turn it face down, lay the packing paper on the ground, and avoid contaminating the fabric.

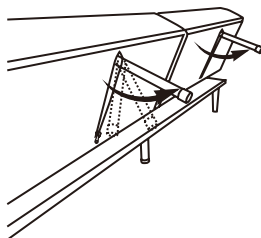
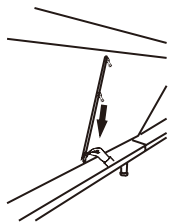




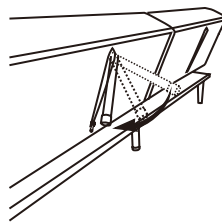
* Don't drag the sofa back, forth, left, or right , avoid damaging the sofa legs.



*When adjusting the inclination of the armrest, turn it back to reset, then adjust again.
Do not forcefully bend it.

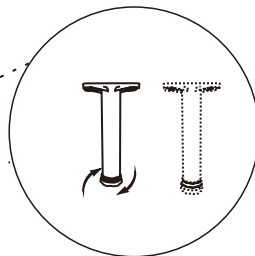
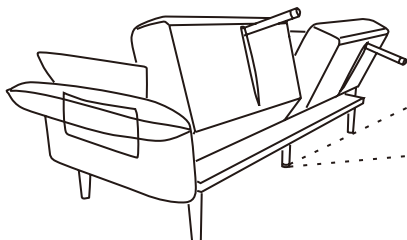
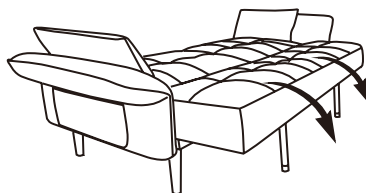
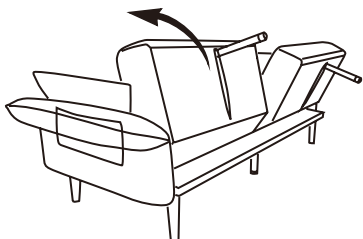


(Open the sofa legs)



(Retract the sofa legs)

*To open or retract the sofa legs, pull the zipper all the way down.



*Based on actual needs, the height of the sofa legs can be adjusted.