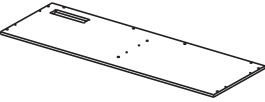



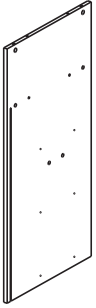
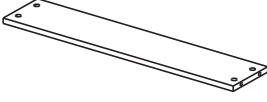
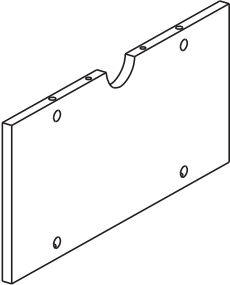
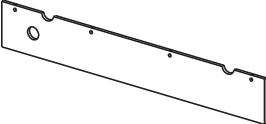
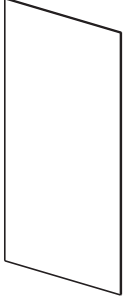
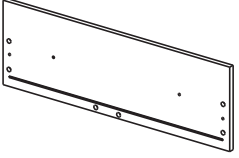
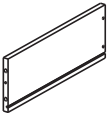
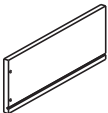
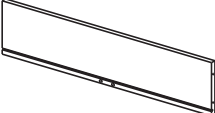
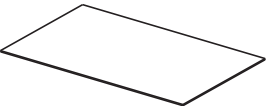
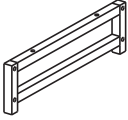


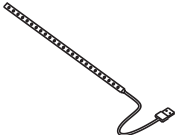
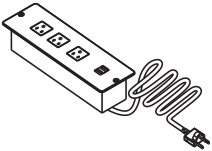
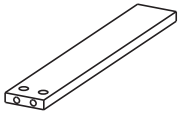
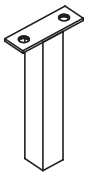


INSTALLATION INSTRUCTION



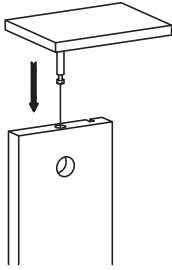
BOARD IDENTIFICATION

| | | | | |
|---|---|---|--|---|
|  |  |  |  |  |
| Ax1 | Bx1 | Cx1 | Dx1 | Ex1 |
|  |  |  |  |  |
| Fx1 | Gx2 | Hx1 | Ix1 | Jx4 |
|  |  |  |  |  |
| Kx6 | Lx6 | Mx6 | Nx6 | Ox6 |
|  |  |  |  |  |
| Px2 | Qx4 | Rx2 | Sx1 | Tx1 |
|  |  | | | |
| Ux6 | Vx1 | | | |

BOARD IDENTIFICATION

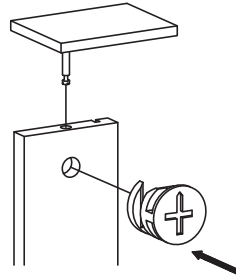
Installation of Eccentric Wheel Nut Set

1



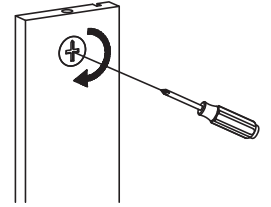
Screw the end of cambolt on the board, find the corresponding board and insert the other end.

2

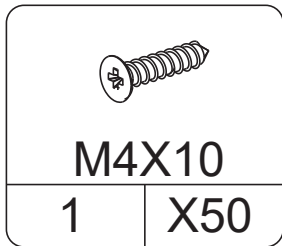


Stuff the camlock into the round hole. The arrowpoints to the cambolt.

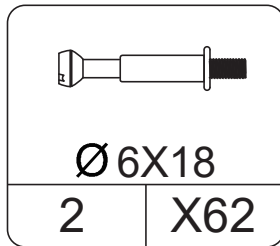
3



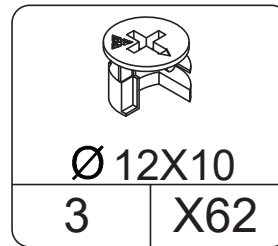
Turn clockwise about 180° to lock the plate.



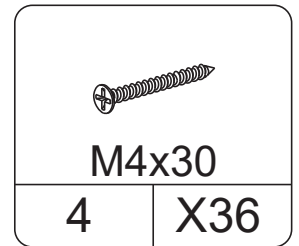
Screws



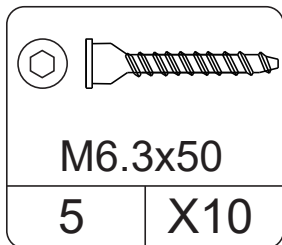
Cam bolt



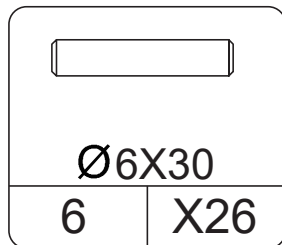
Cam lock



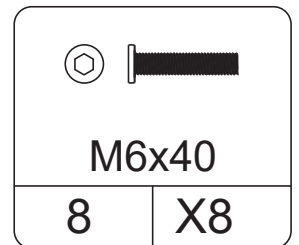
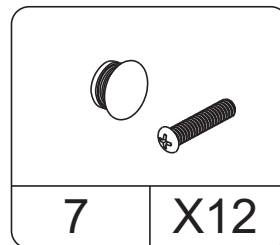
Screws



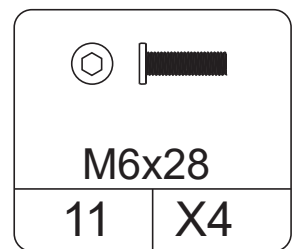
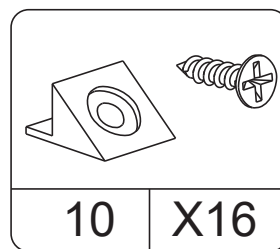
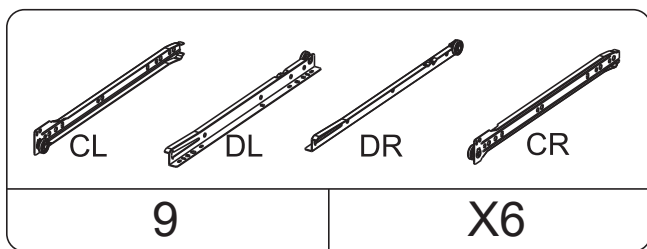
Screws



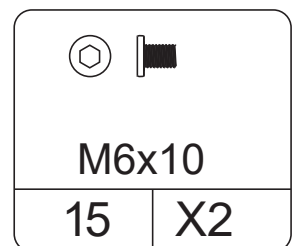
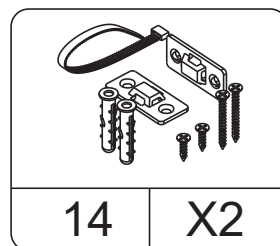
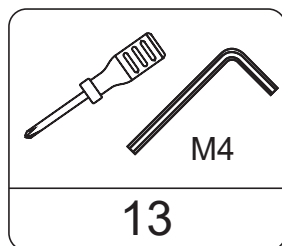
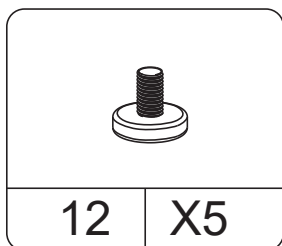
Wood dowel



Screws



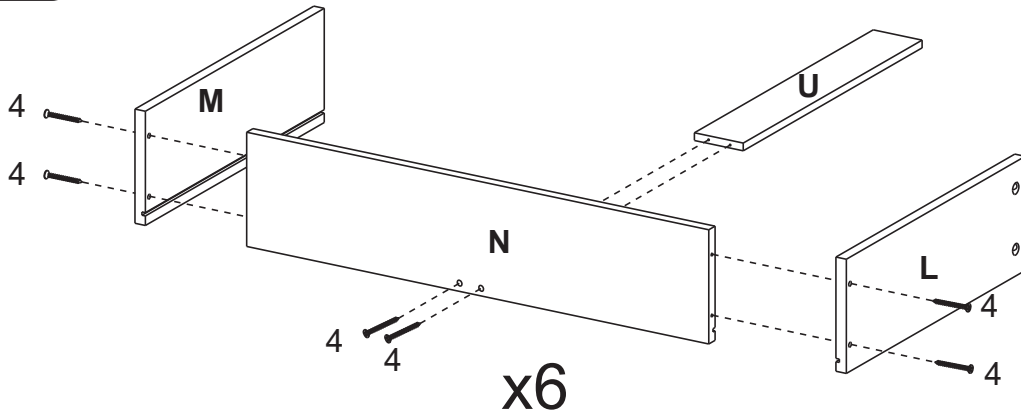
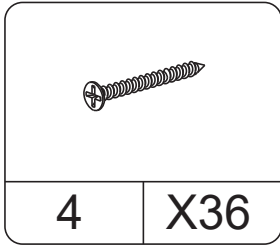
Screws



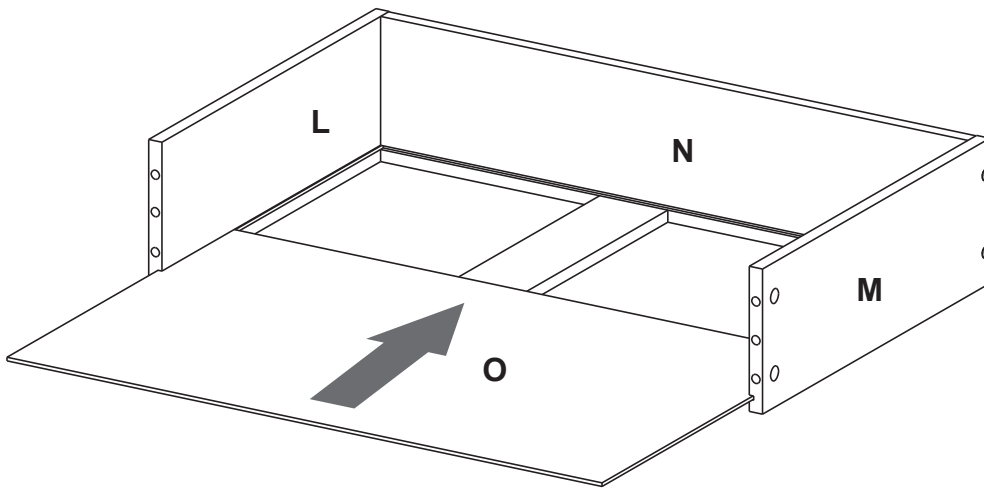
Screws

INSTALLATION STEPS

STEP1:

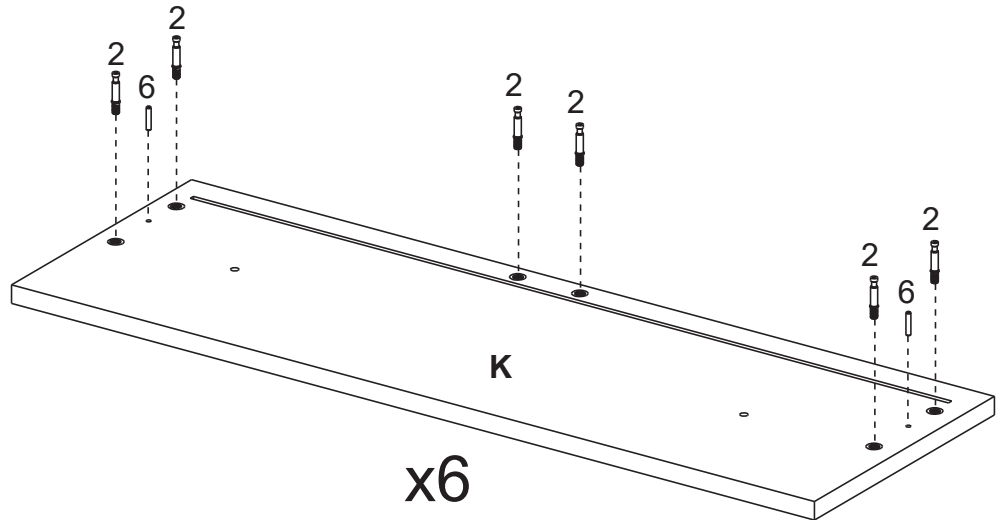
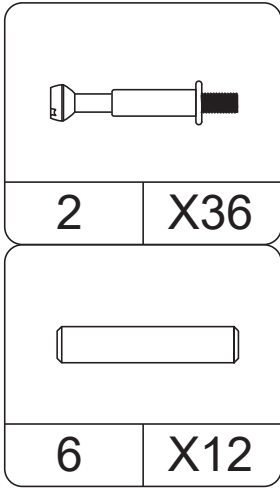


STEP2:

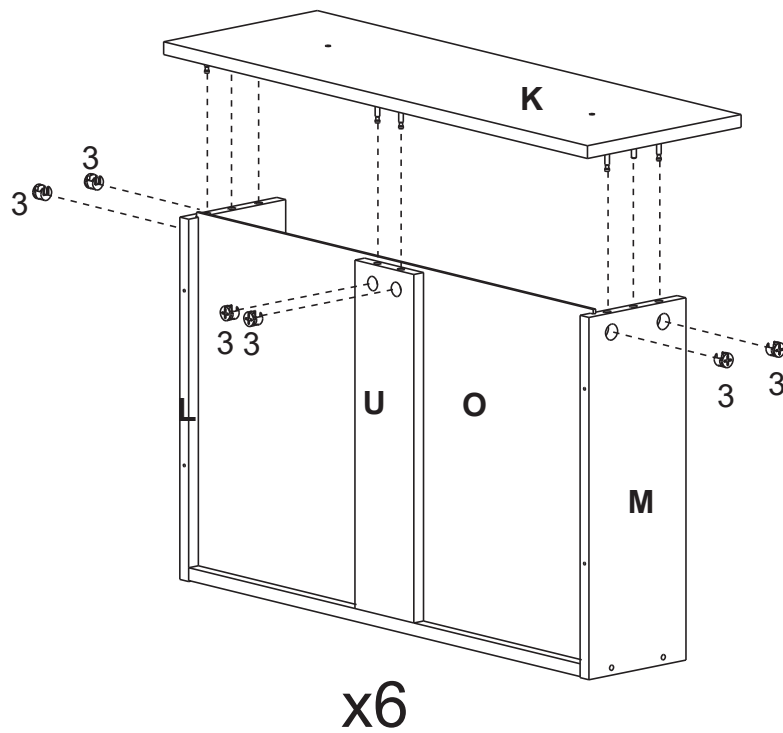
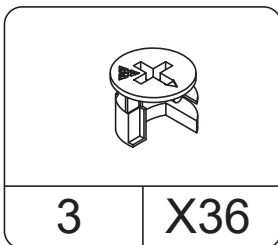


INSTALLATION STEPS

STEP3:

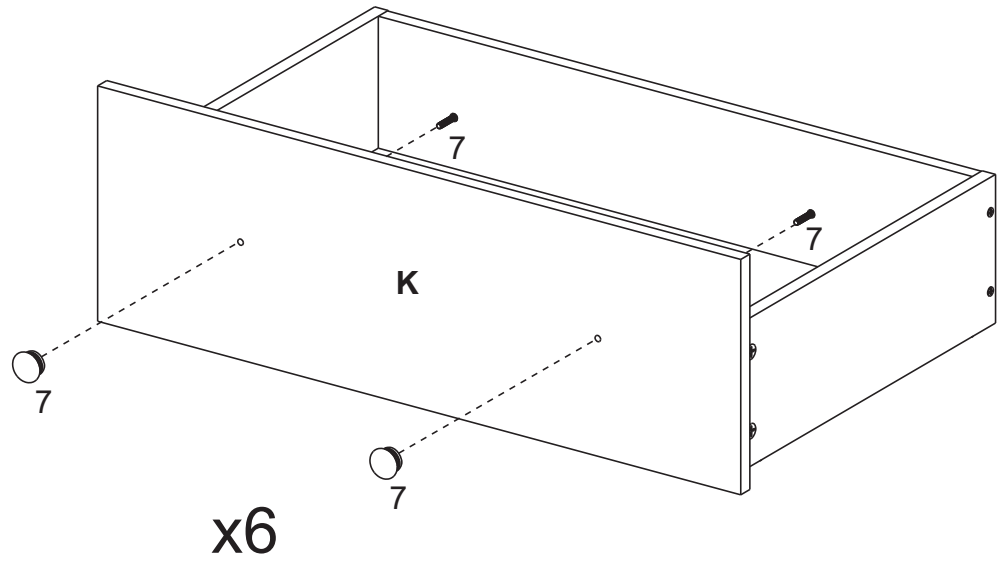
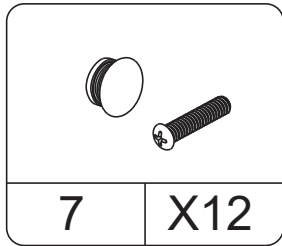


STEP4:

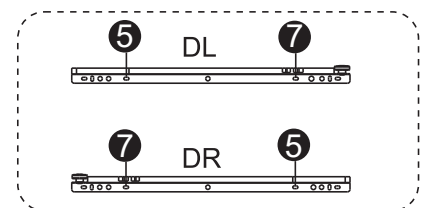
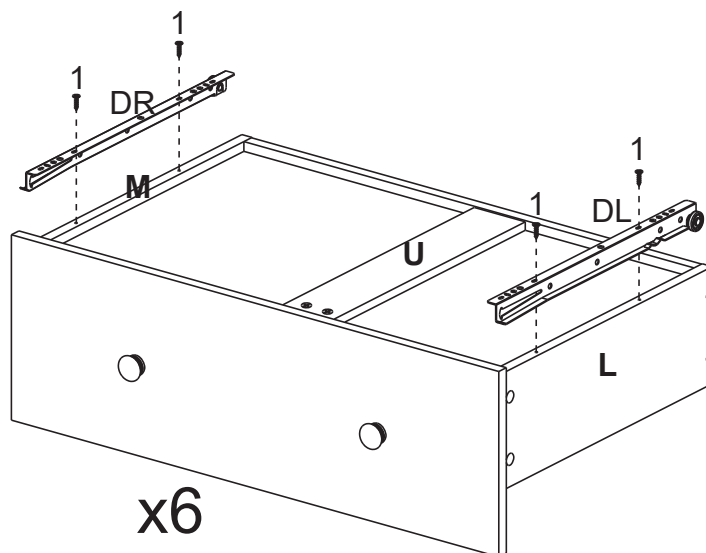
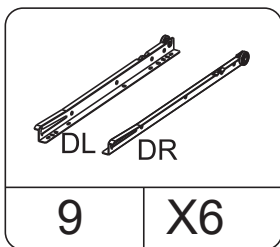
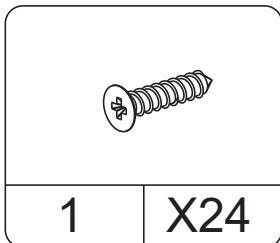


INSTALLATION STEPS

STEP5:

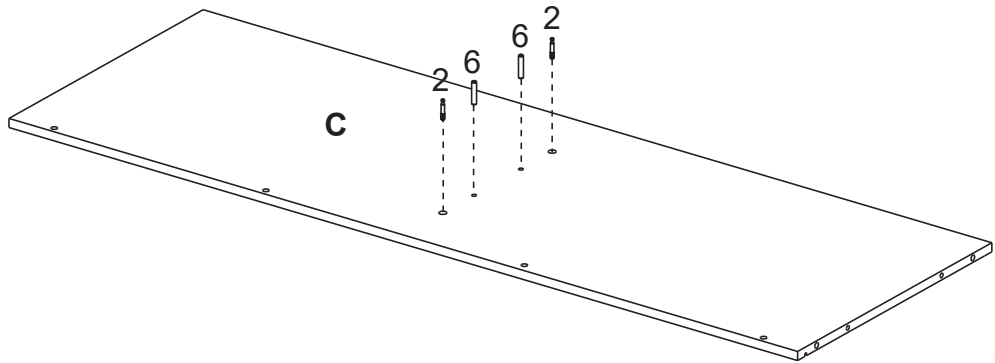
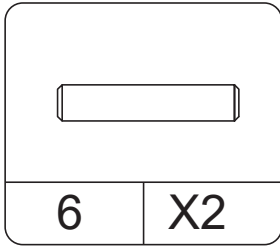
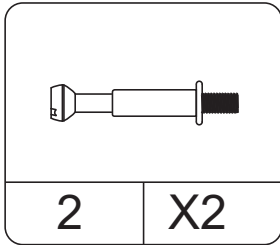


STEP6:

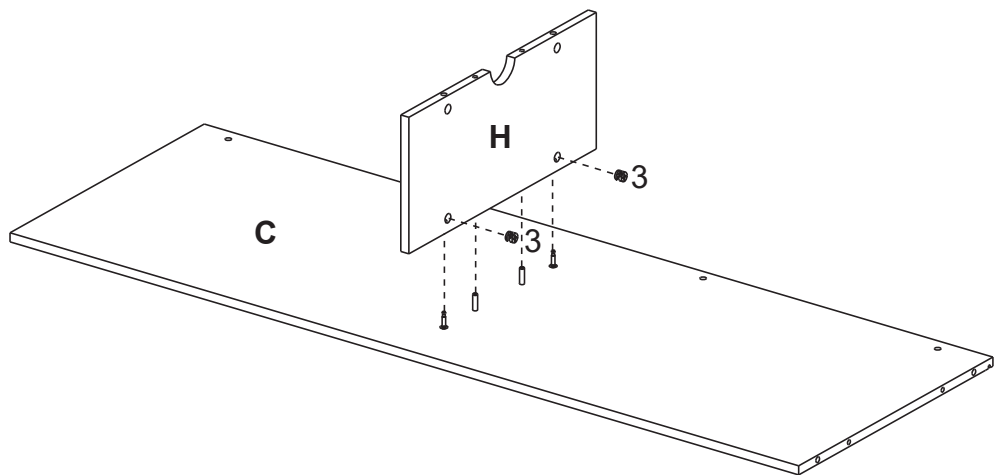
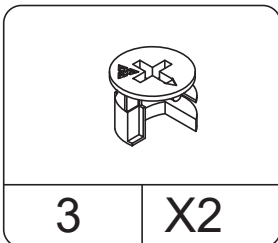


INSTALLATION STEPS

STEP7:

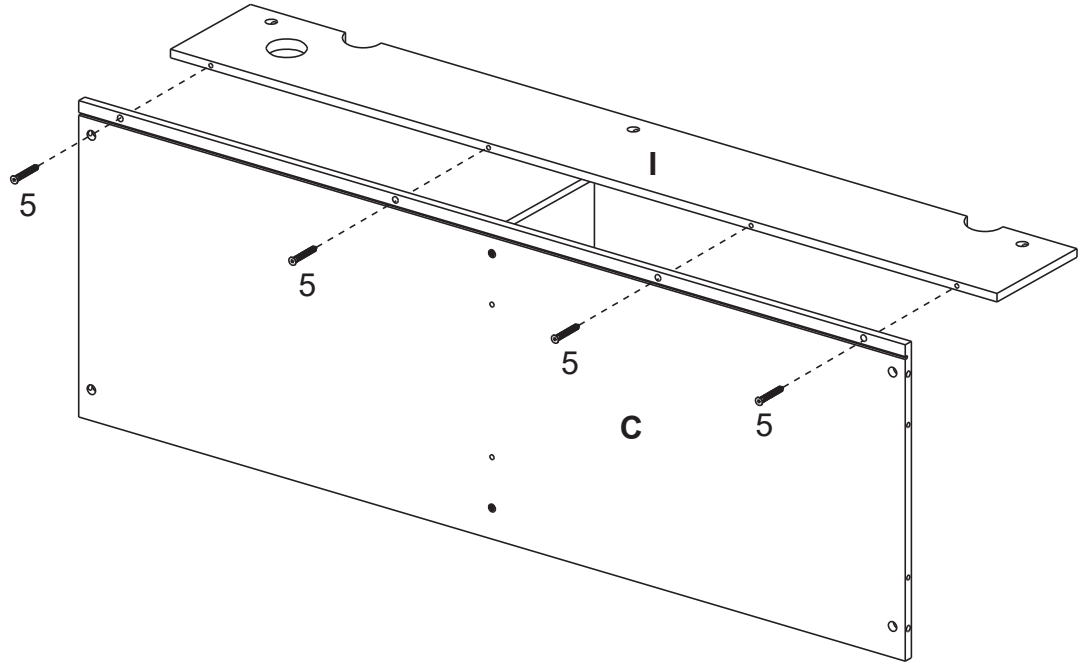
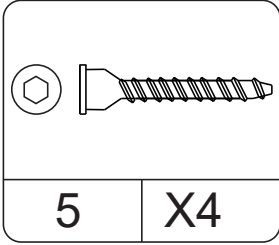


STEP8:

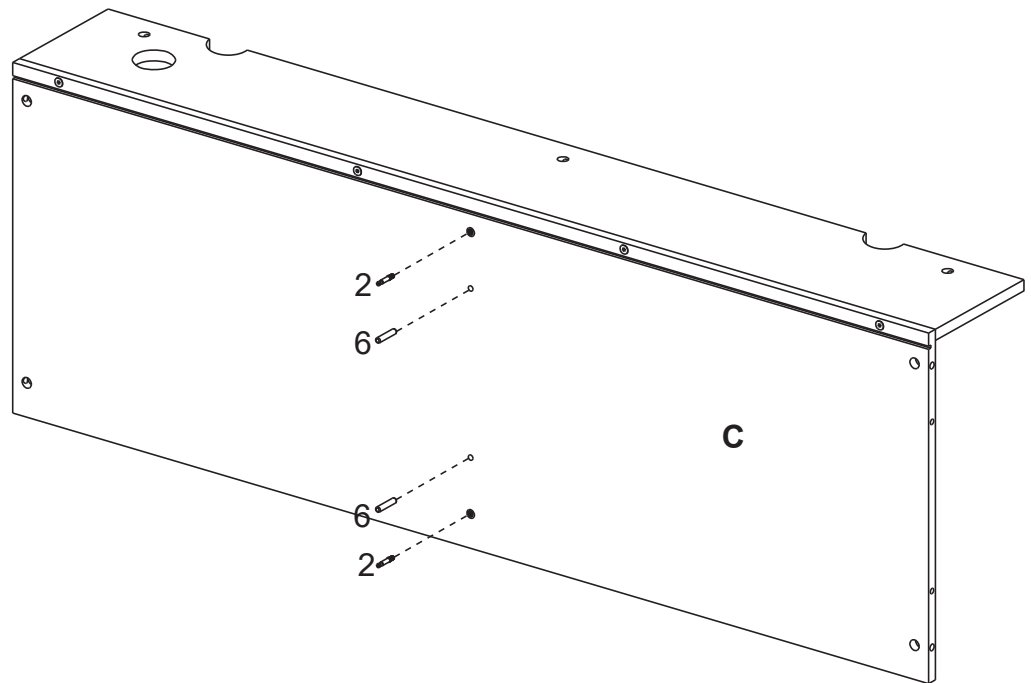
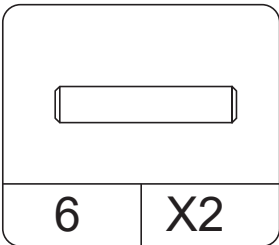
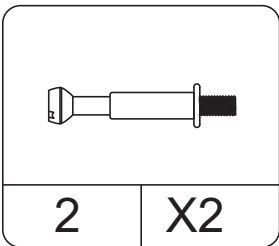


INSTALLATION STEPS

STEP9:

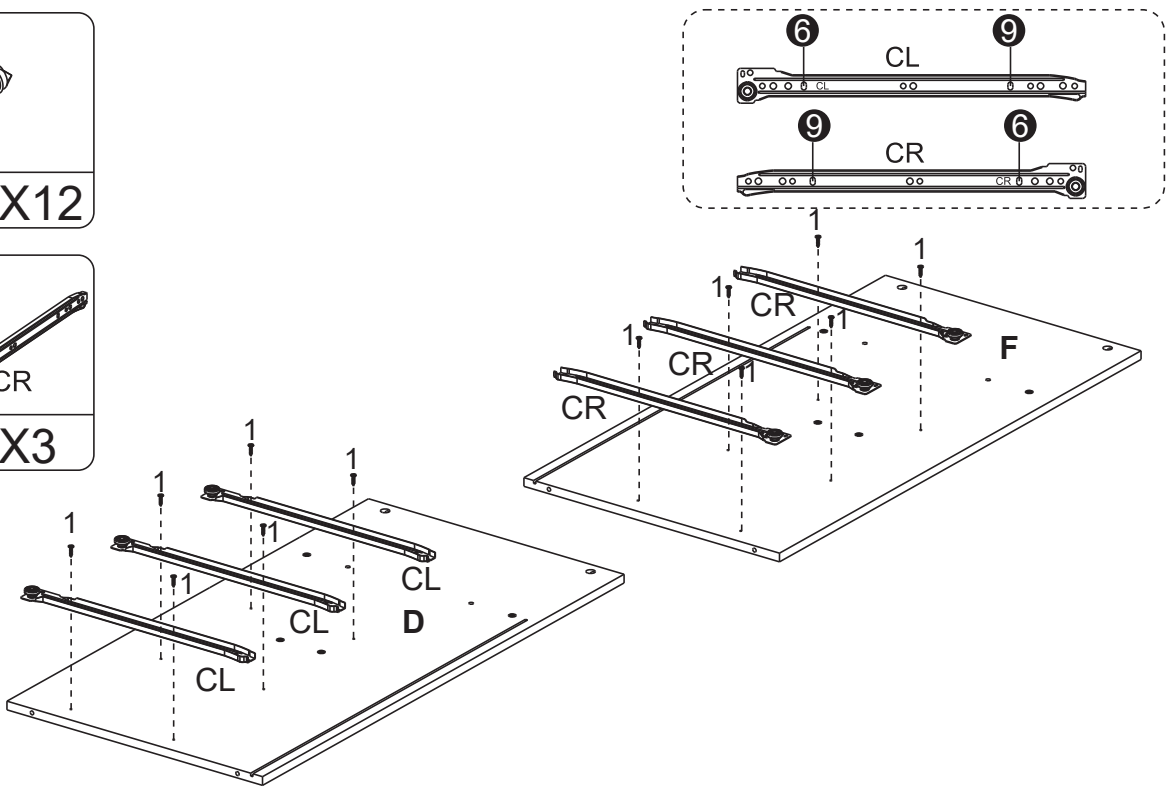
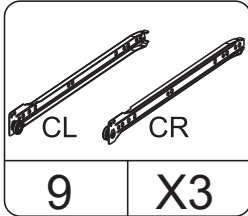
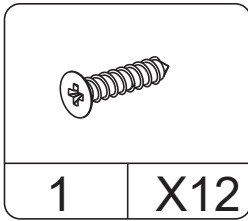


STEP10:

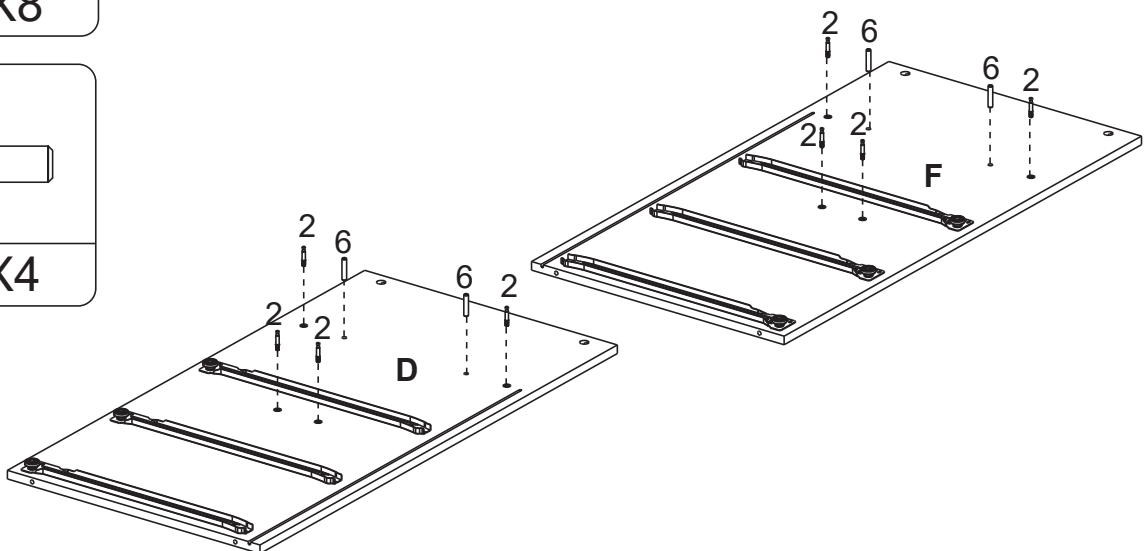
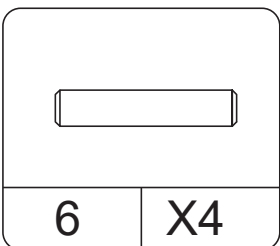
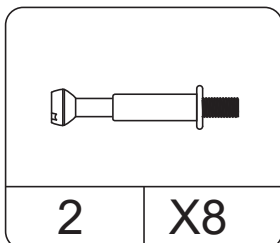


INSTALLATION STEPS

STEP11:

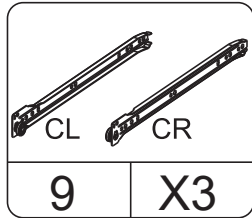
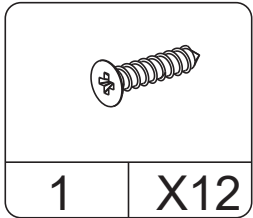
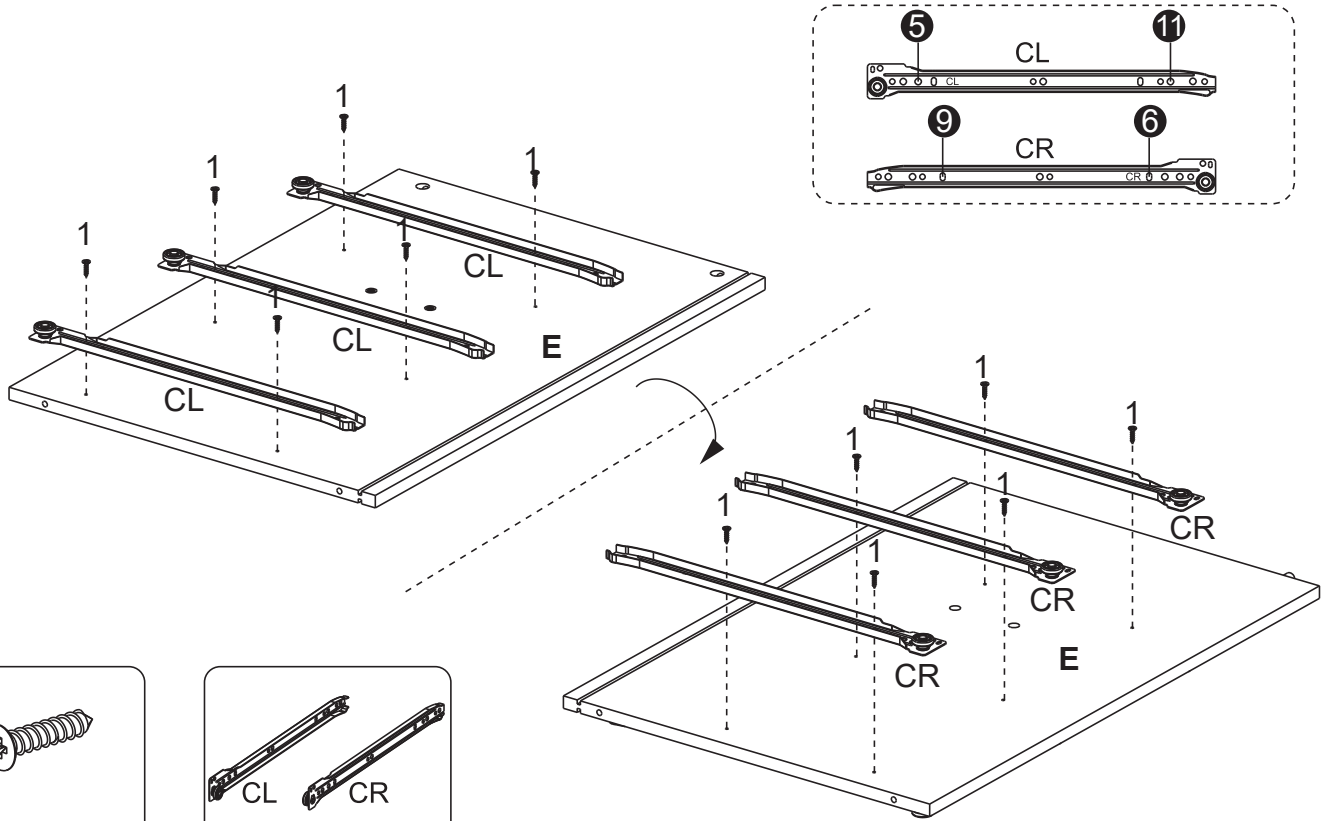


STEP12:

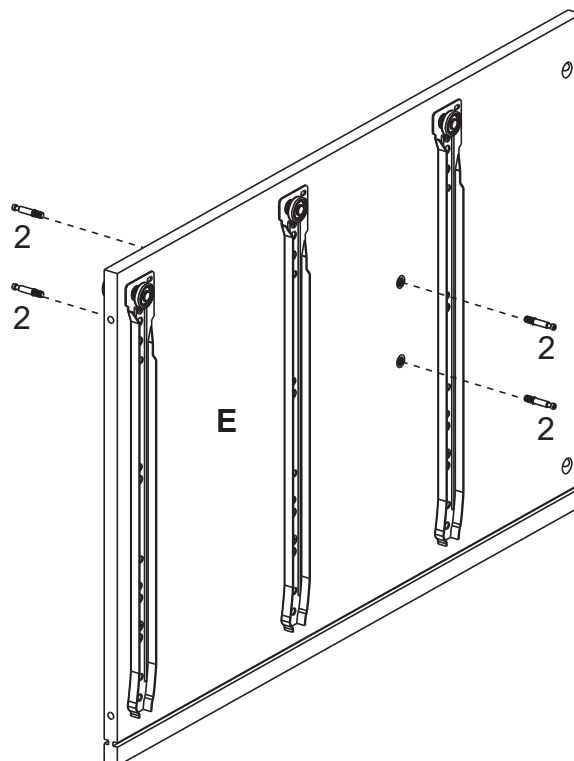
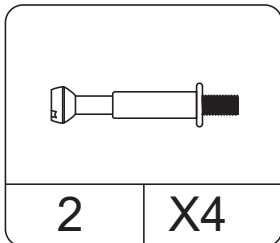


INSTALLATION STEPS

STEP13:

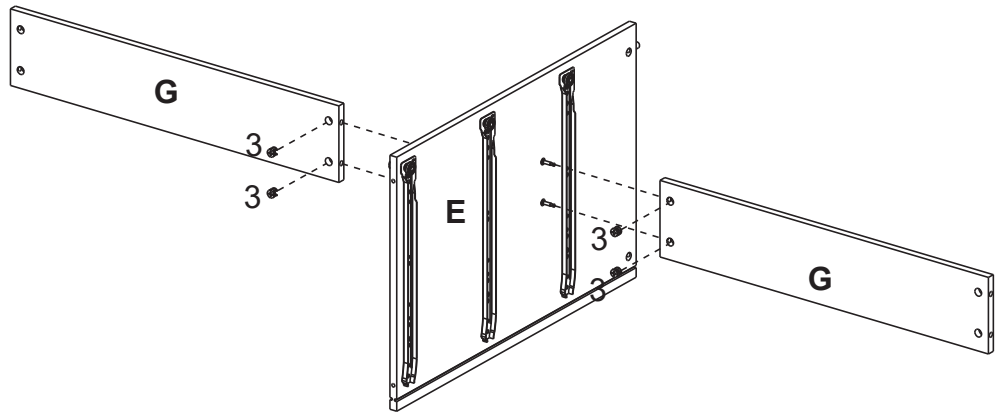
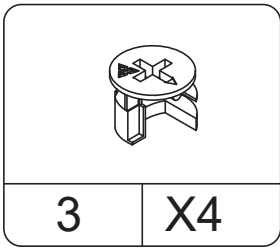


STEP14:

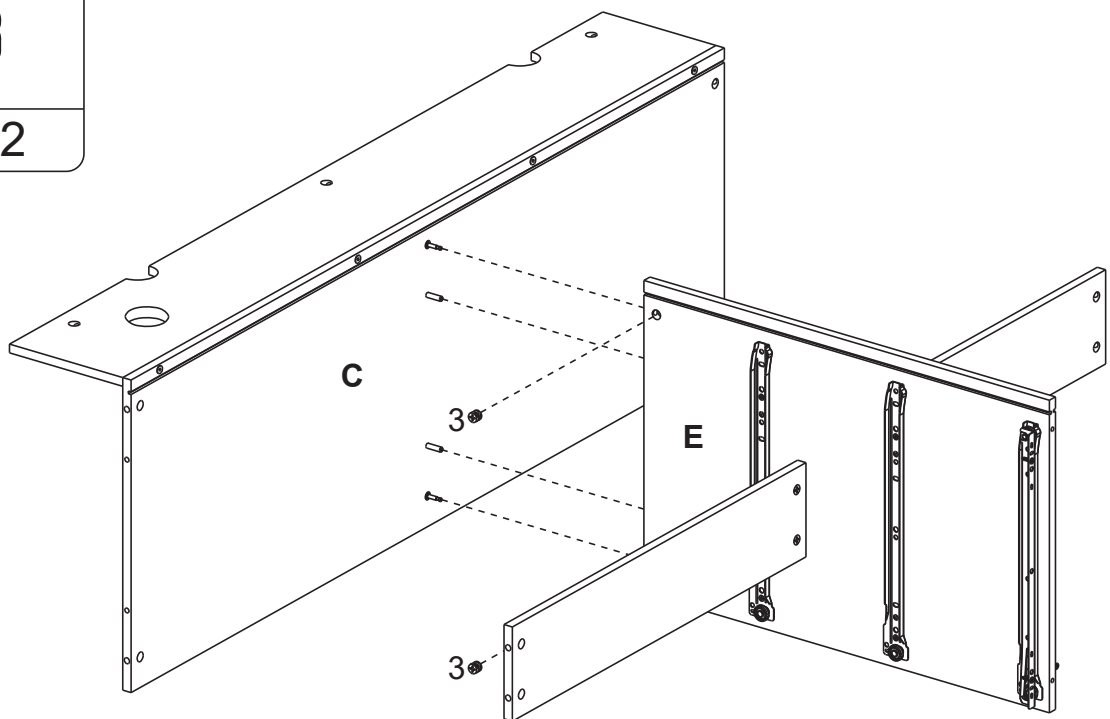
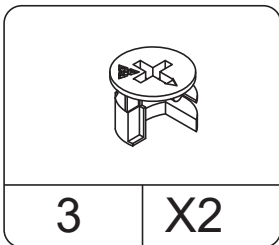


INSTALLATION STEPS

STEP15:

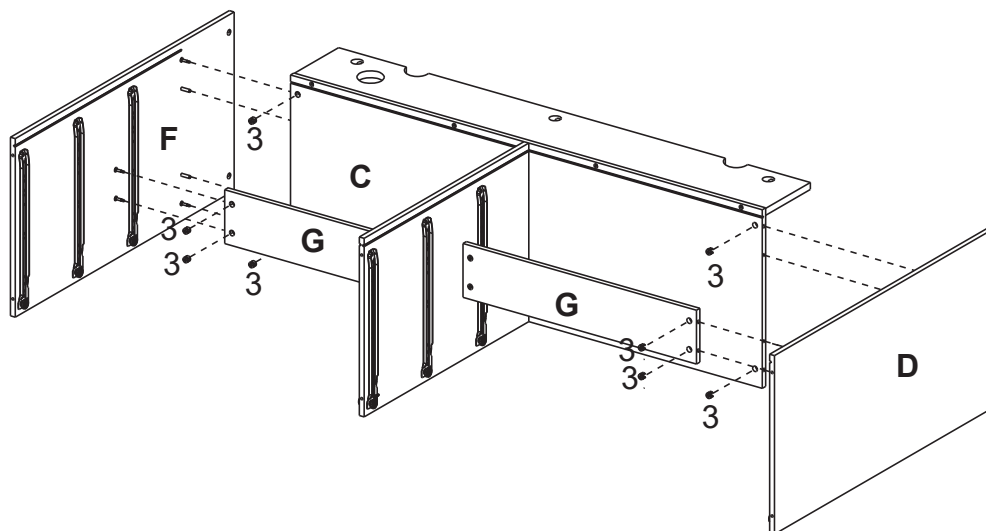
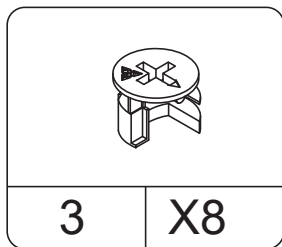


STEP16:

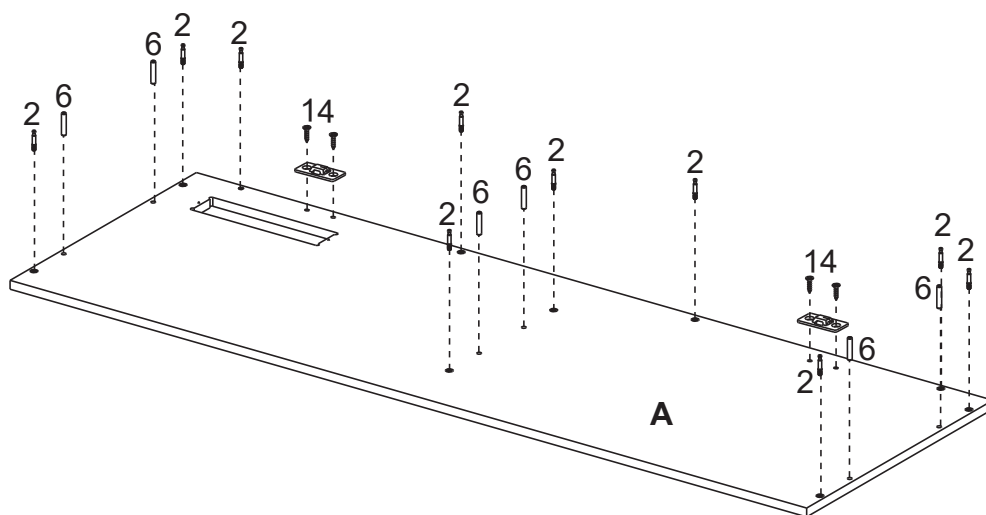
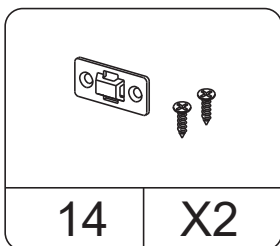
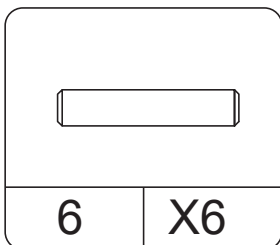
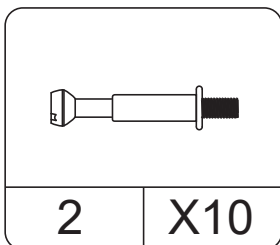


INSTALLATION STEPS

STEP17:

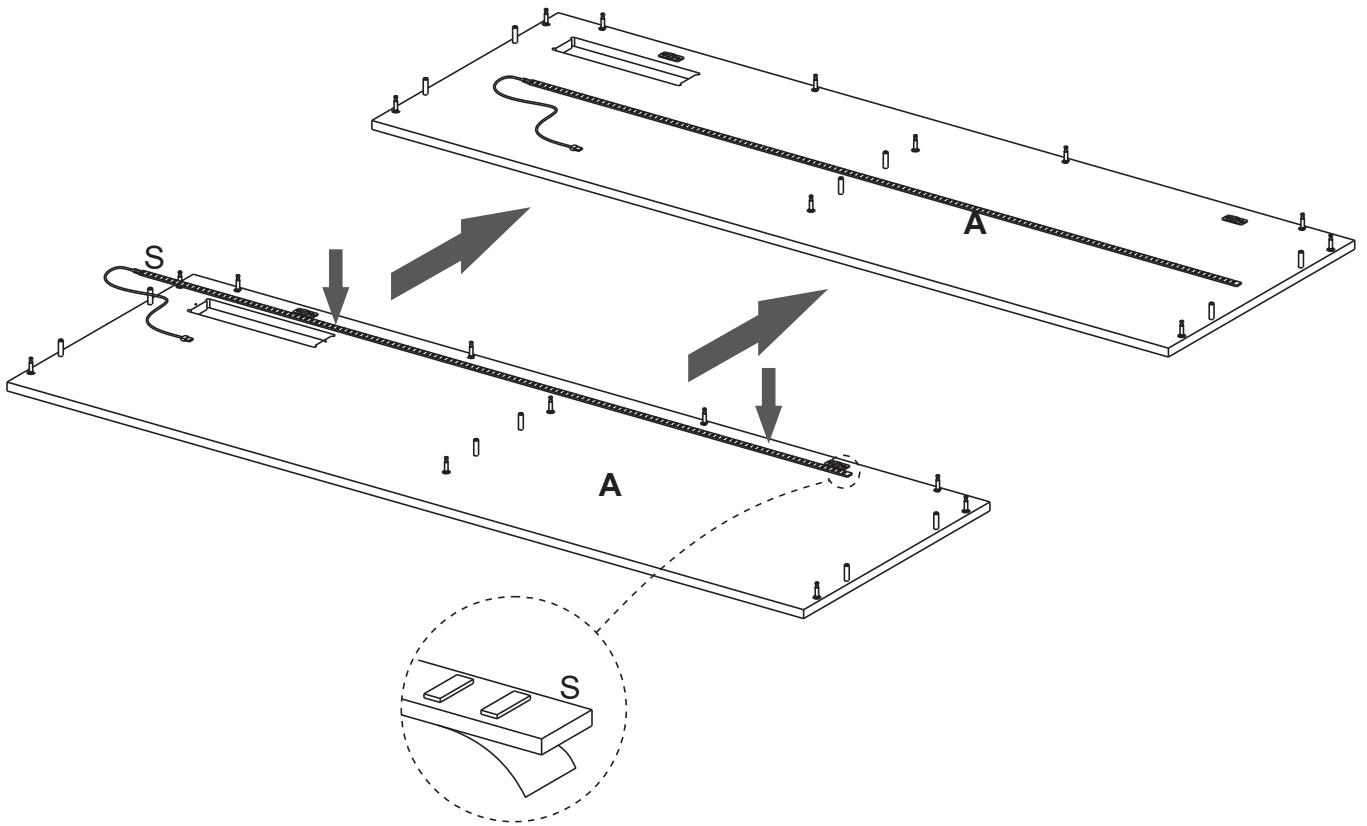


STEP18:

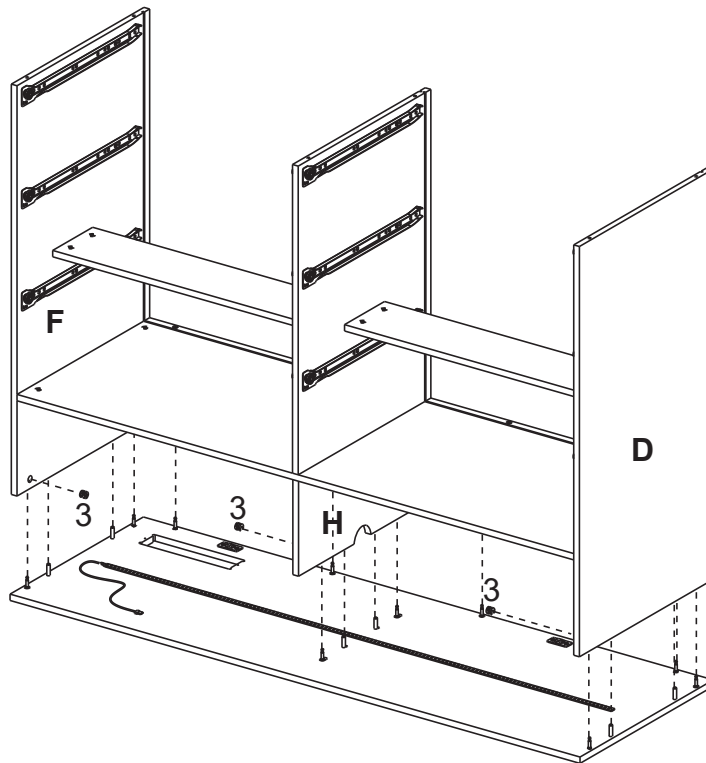
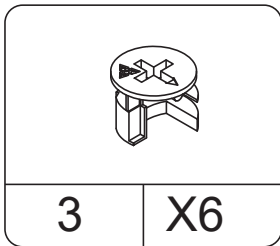


INSTALLATION STEPS

STEP19:

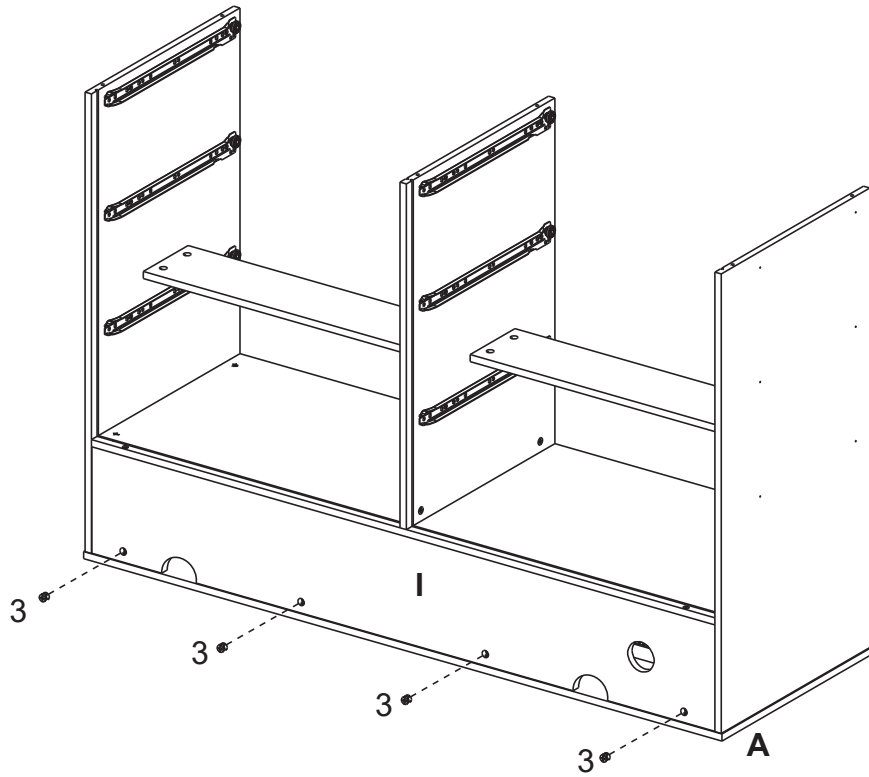
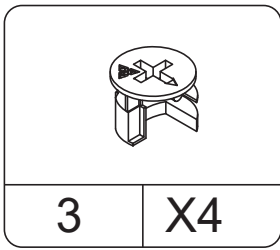


STEP20:

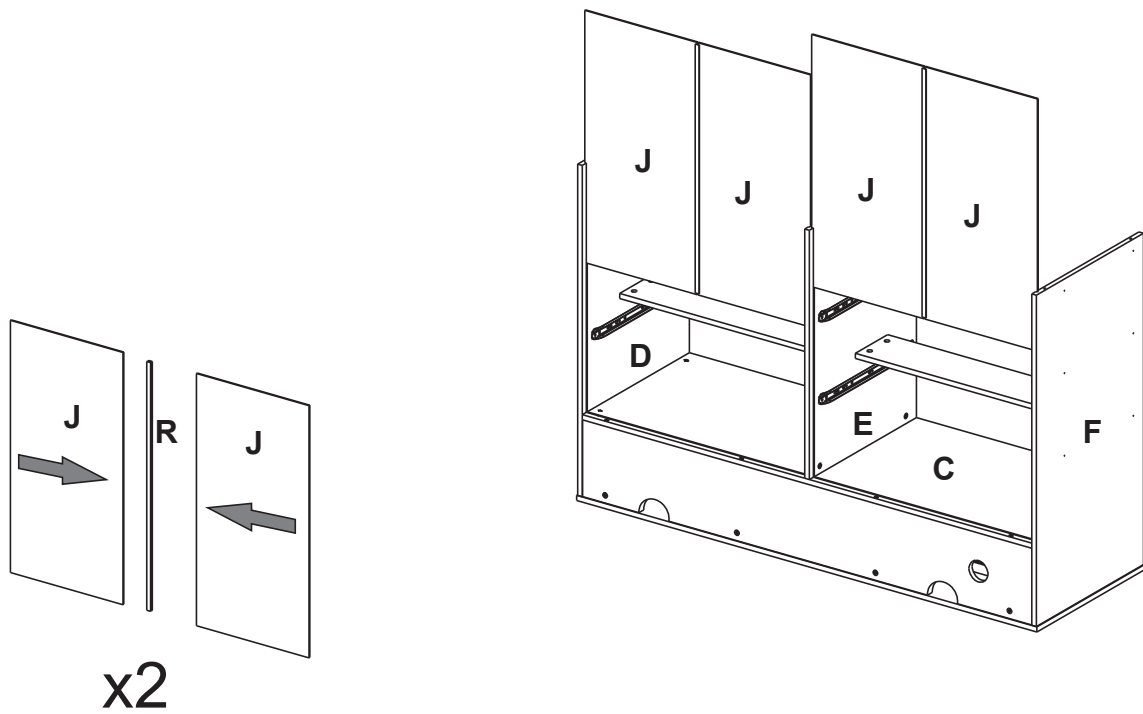


INSTALLATION STEPS

STEP21:

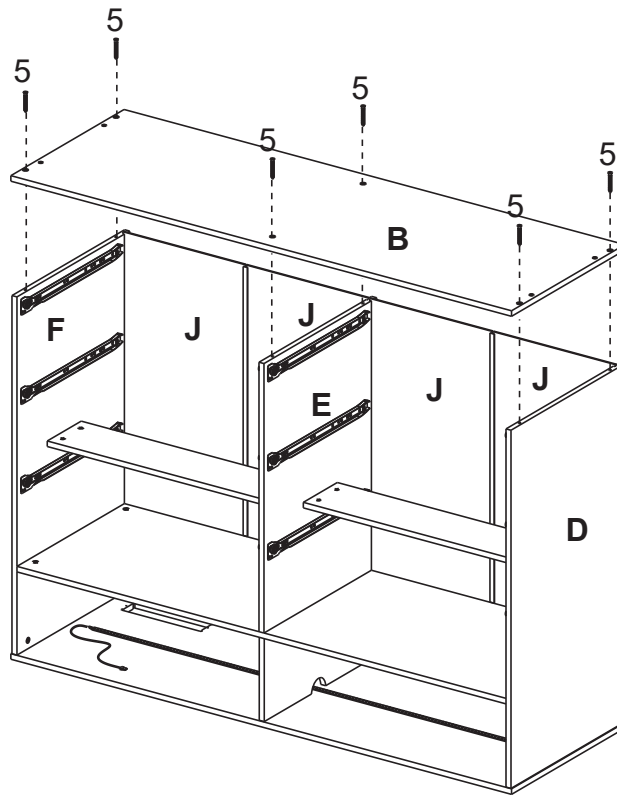
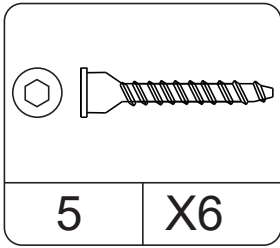


STEP22:

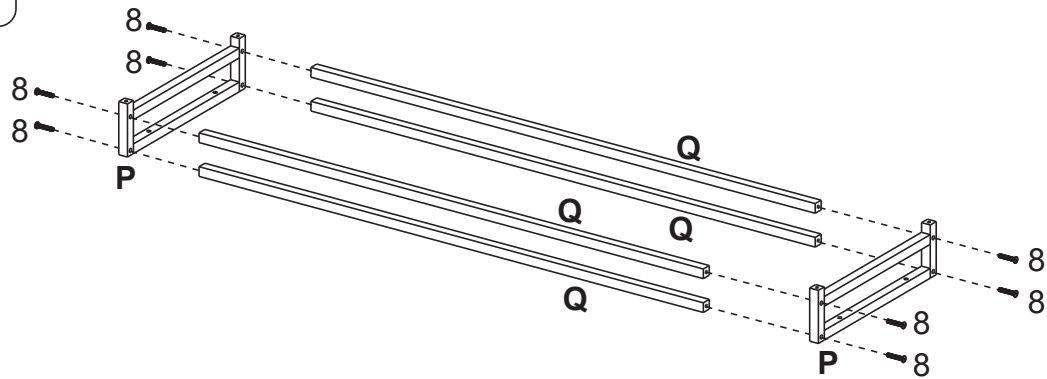
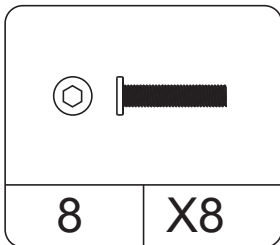


INSTALLATION STEPS

STEP23:

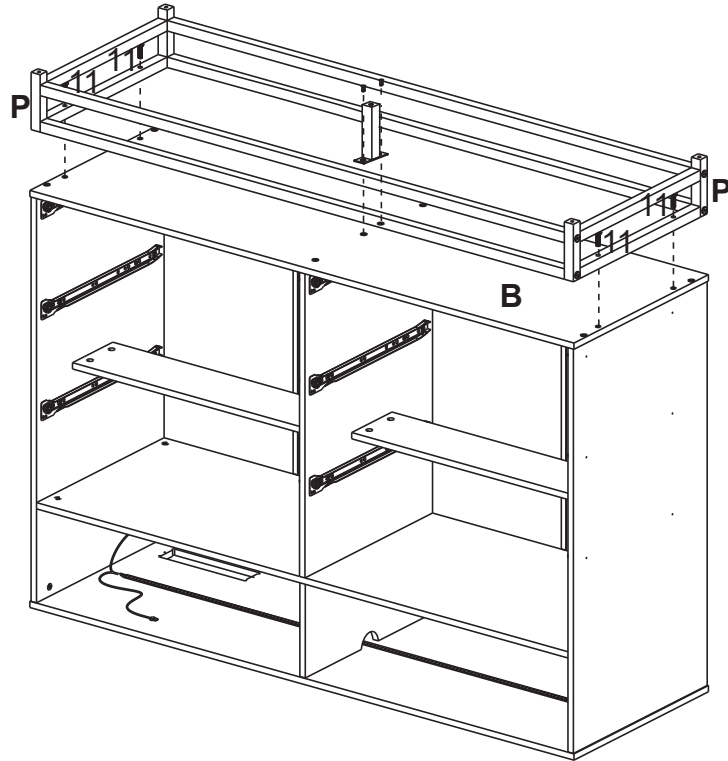
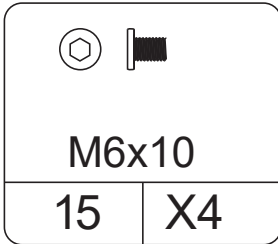
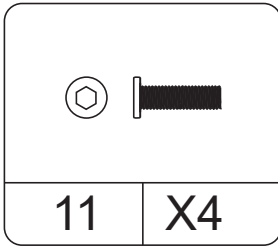


STEP24:

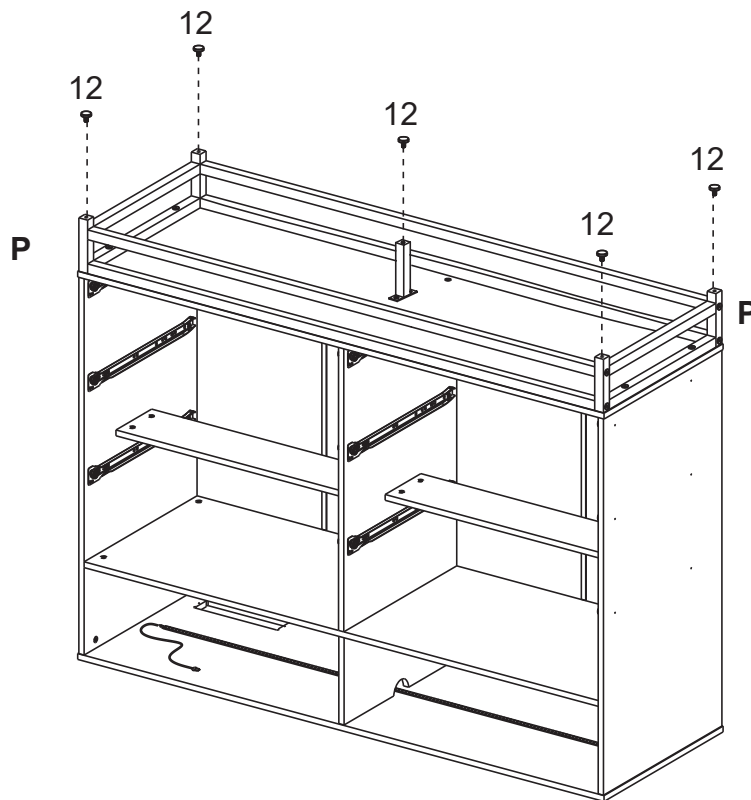
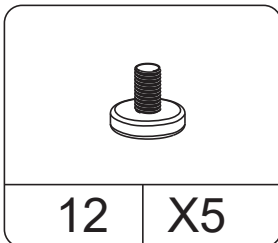


INSTALLATION STEPS

STEP25:

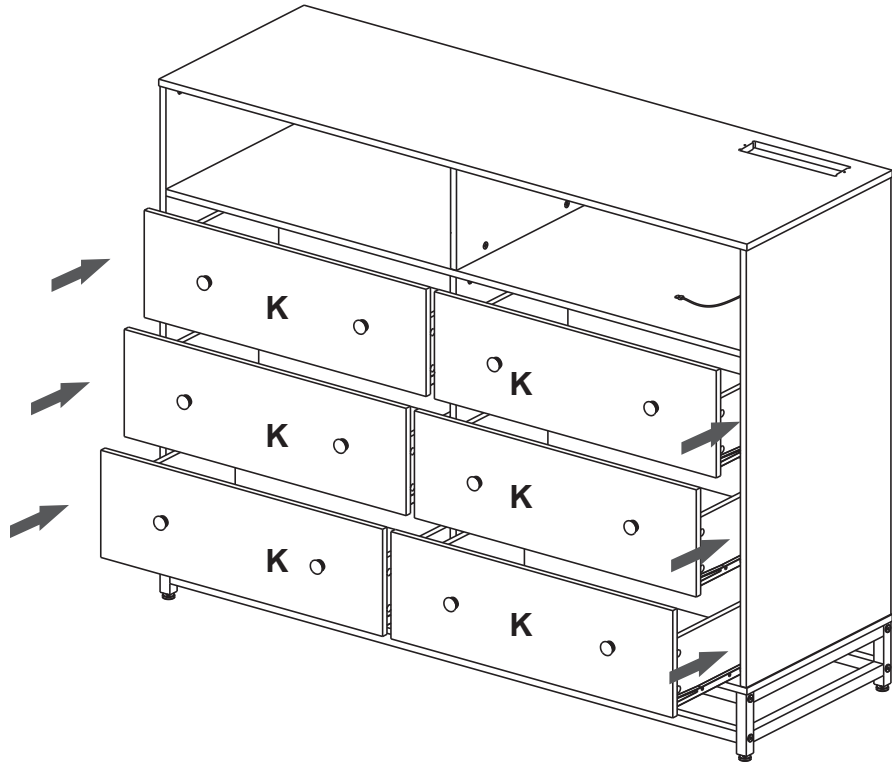


STEP26:

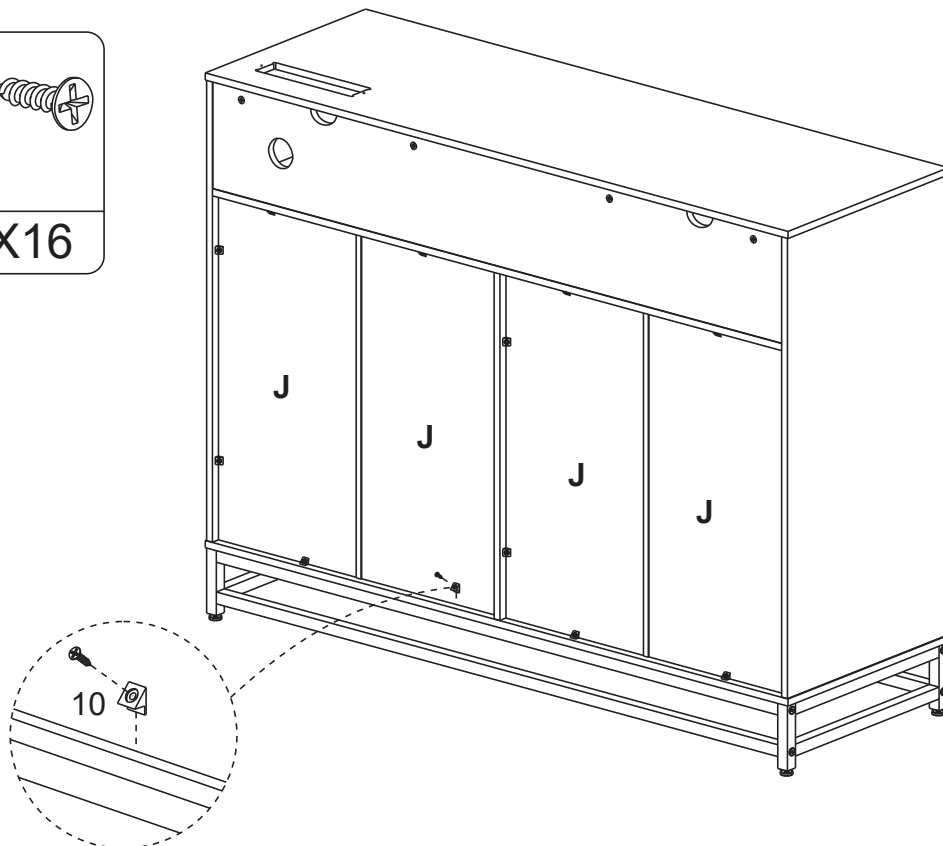
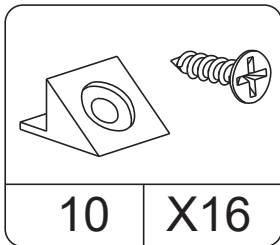


INSTALLATION STEPS

STEP27:

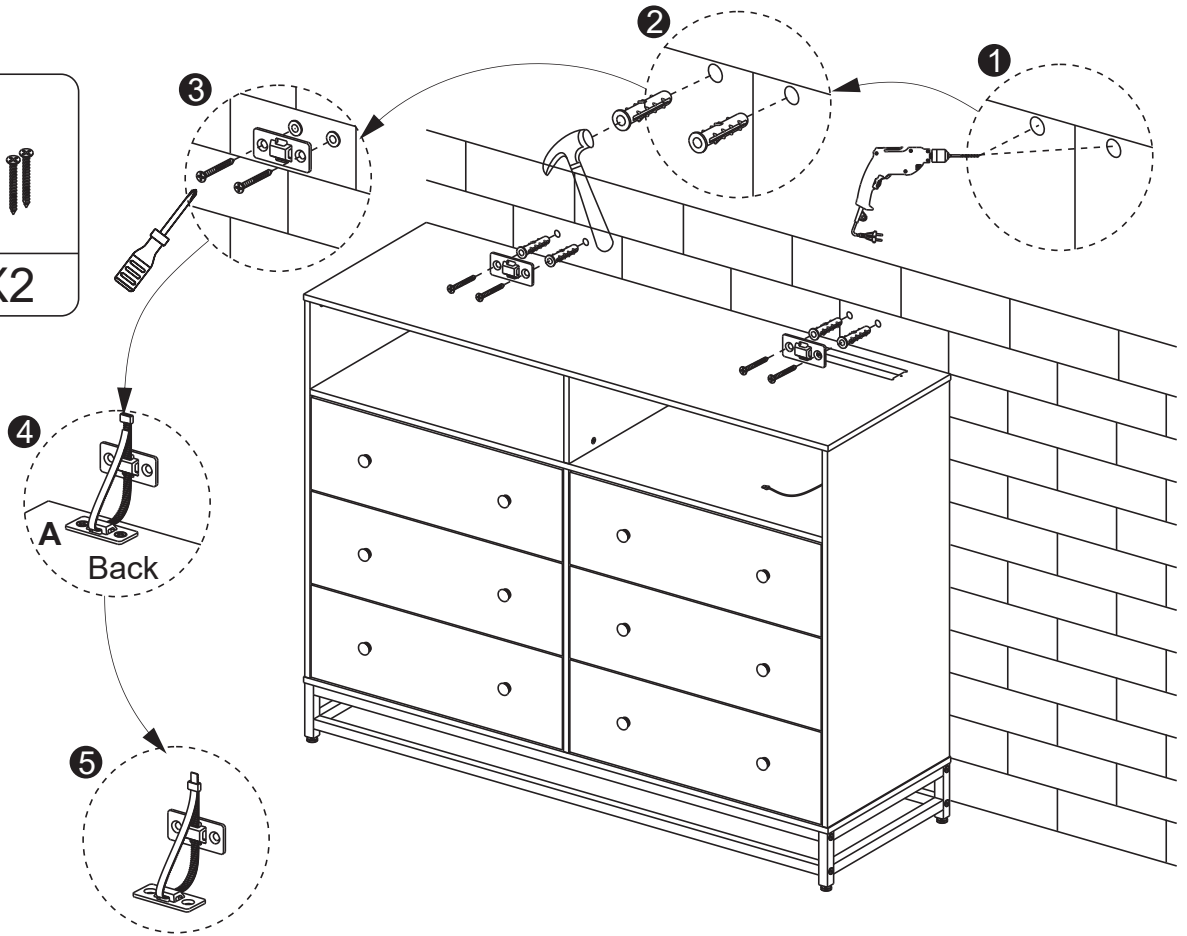
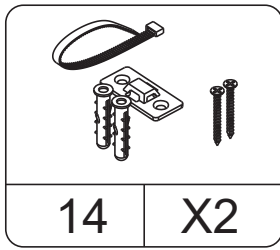


STEP28:

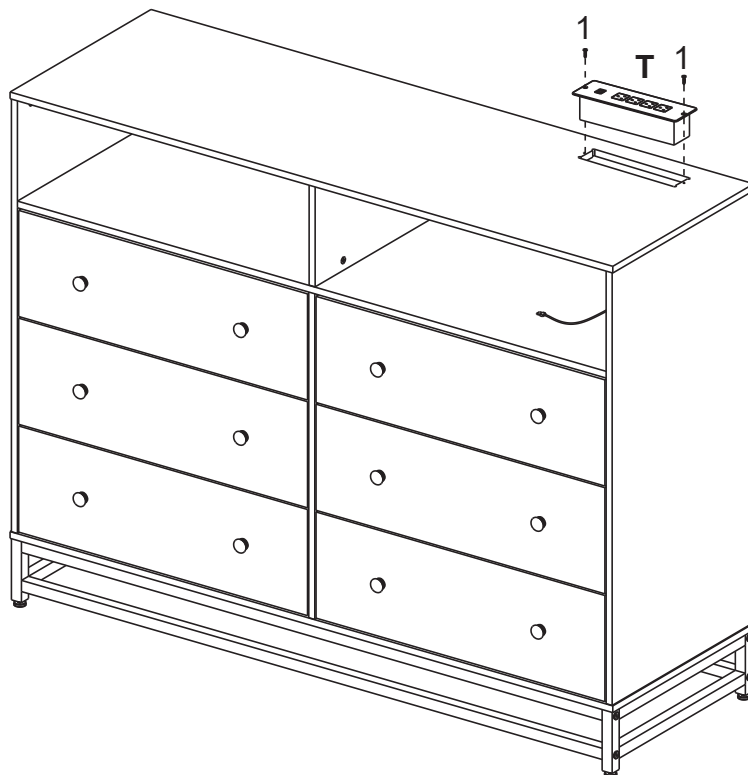
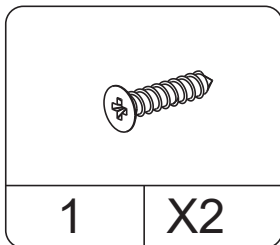


INSTALLATION STEPS

STEP29:



STEP30:



INSTALLATION STEPS

STEP31:

