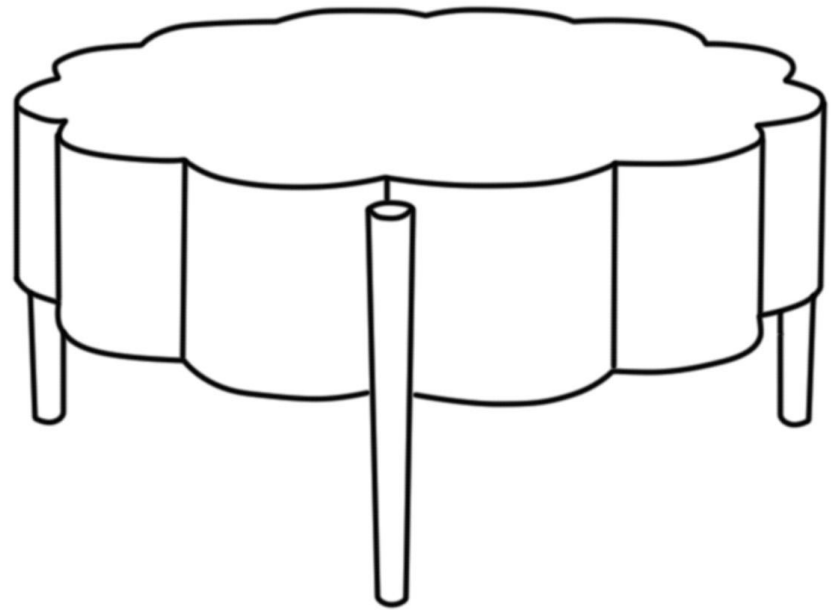
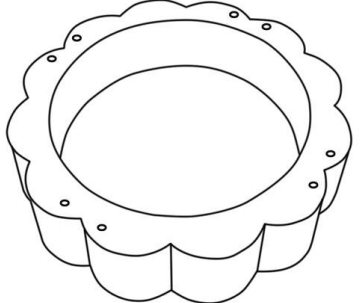
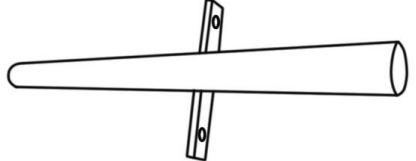





Assembly Instructions



Part List

 Ⓐ X1	 Ⓑ X4
 ① X8	 ② X8
 ③ X1	

Only 1 step

