

ASSEMBLY INSTRUCTIONS



Fine Furniture for every stage of life

COUNTER HEIGHT STOOL

ASSEMBLY INSTRUCTIONS

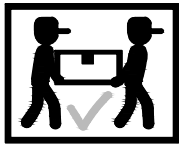
ASSEMBLY TIPS:

1. Remove hardware from box and sort by size.
2. Please check to see that all hardware and parts are present prior to start of assembly.
3. Please follow attached instructions in the same sequence as numbered to assure fast & easy assembly.



WARNING !

1. Don't attempt to repair or modify parts that are broken or defective. Please contact the store immediately.
2. This product is for home use only and not intended for commercial establishments.

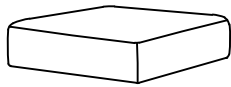


ASSEMBLY TIME

5 MINUTES

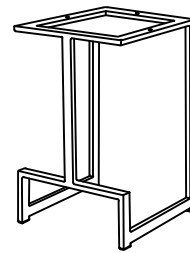
PARTS IDENTIFICATION

A. CUSHION



1PC

B. BASE



1PC

HARDWARE PACKAGE

1. ALLEN WRENCH
(M6-SILVER)



1PC

2. ALLEN BOLT
(M6*55MM-SILVER)



3PCS

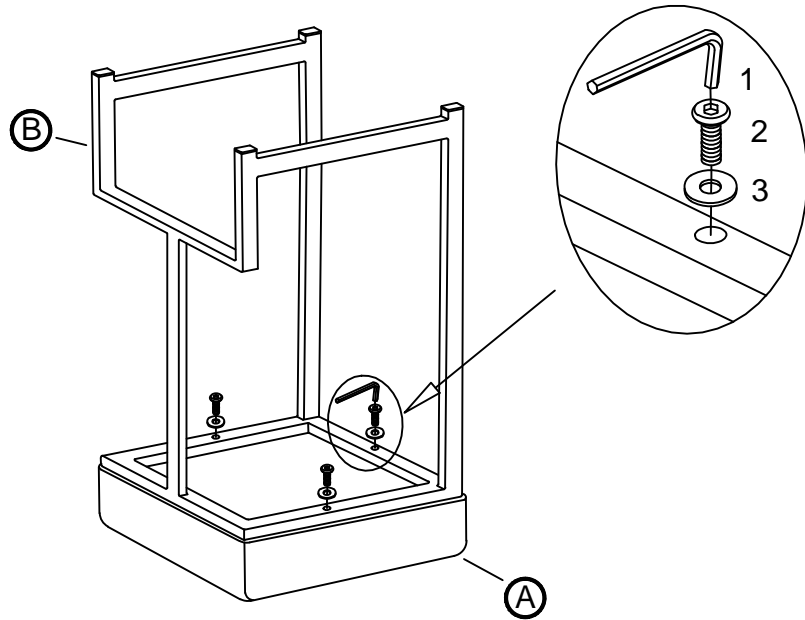
3. FLAT WASHER
(Ø16MM-SILVER)



3PCS

ASSEMBLY INSTRUCTIONS

STEP 1



STEP 2 COMPLETE

