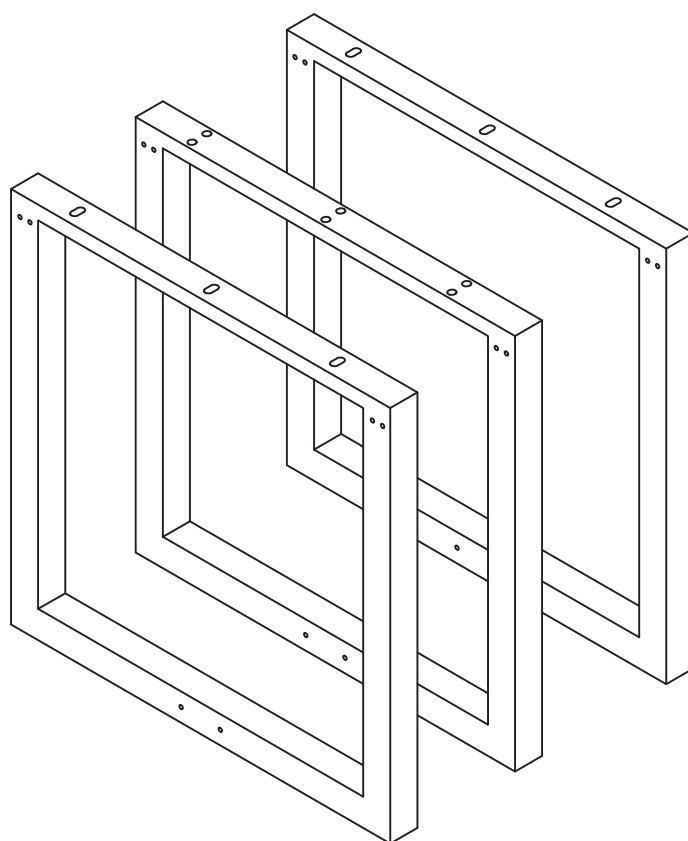
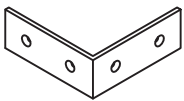
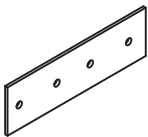

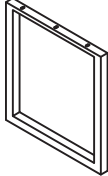
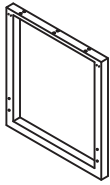
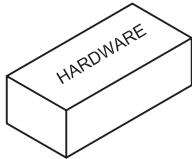


Leg Kit for Sitting Conference Tables



PARTS LIST

Name	Part	Qty.	Spare Qty
A	 <p style="text-align: right;">HB</p> <p>100*100*38*4mm</p>	4	
B	 <p style="text-align: right;">HB</p> <p>200*38*4mm</p>	2	
C	 <p style="text-align: right;">HB</p> <p>M4*14mm</p>	24	2

Name	Part	Qty.	Spare Qty
D	 <p>End Leg</p>	2	
E	 <p>Middle Leg</p>	1	
	 <p>HARDWARE</p>		

Items with HB are in hardware box.

IMPORTANT!

Review ALL instructions before beginning assembly. These instructions are provided to avoid problems that may occur from improper assembly or installation. and/or its distributor are not responsible for failure resulting from improper assembly or installation of this product. Moreover, all warranties are void for failure to follow these assembly instructions.