

PART LIST:



**A:Rail Upper Section
2PCS**



**B:Rail Down Section
2PCS**



**D:Rail Support Bar
10PCS**



**E:Rail Connector Bar
2PCS**



**H:Slat
12PCS**



**I:Slat Connector
20PCS**



**K:Coverlet
1PC**

HARDWARE LIST:



**1: Bolt
1/4*35mm
X 20pcs**



**2: Bolt
1/4*16mm
X 8pcs**



**3: Bolt
3/16*16mm
X 4pcs**

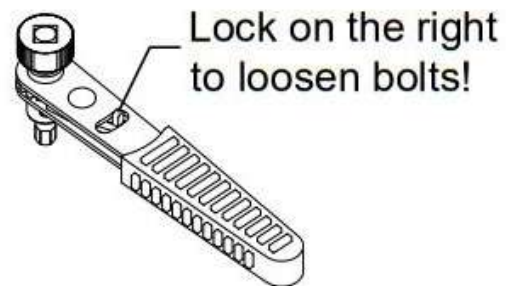
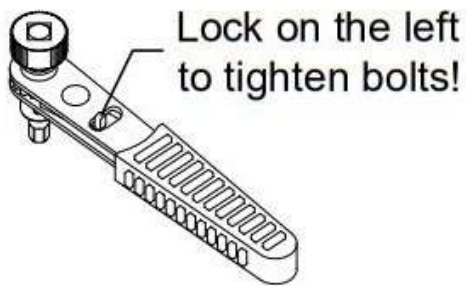


**4: Ratchet Tool
X 1PC**

Go to Settings to activate
Activate Windows

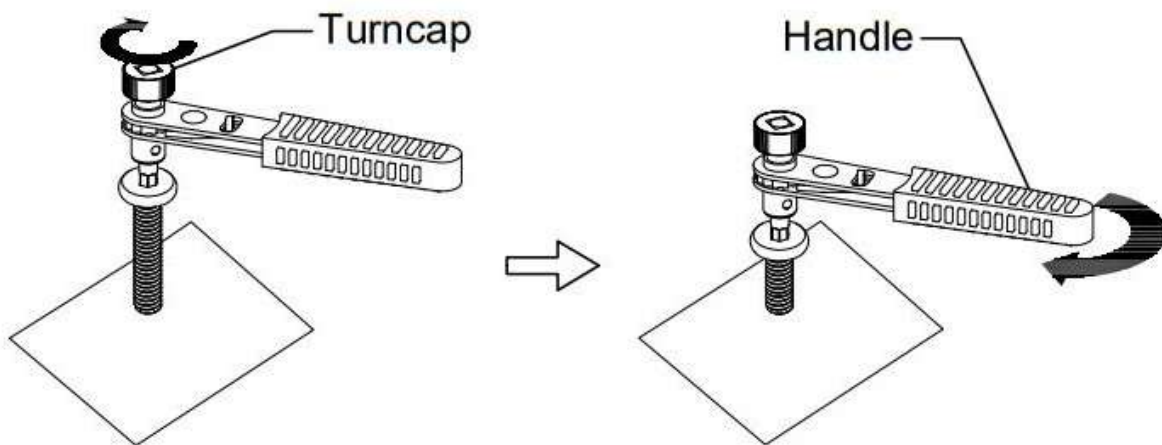
How to Use the Ratchet Tool (4)

1. Before assembling the furniture, please adjust the lock as needed.

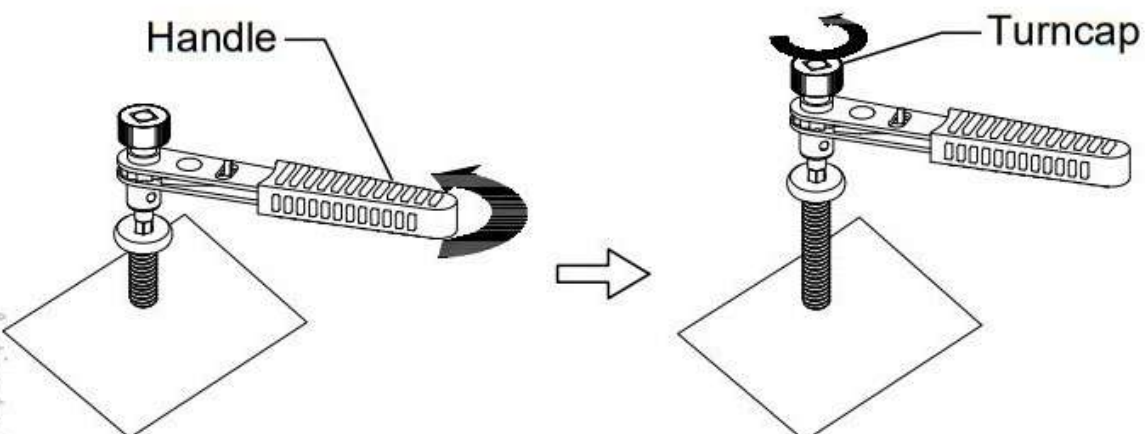


2. Tighten or loosen bolts.

- **Tighten bolts:** Locate the turncap and rotate it clockwise to screw the bolt quickly until it cannot be rotated any more. Then start rotating the handle clockwise to finalize tightening the bolt.

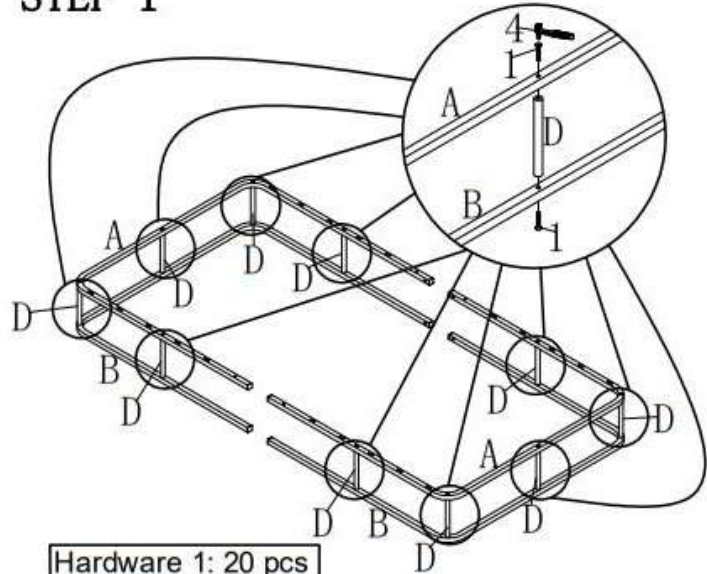


- **Loosen bolts:** Rotate the handle counterclockwise to loosen the bolt. Then continue rotating the turncap in the same direction to remove the bolt completely.



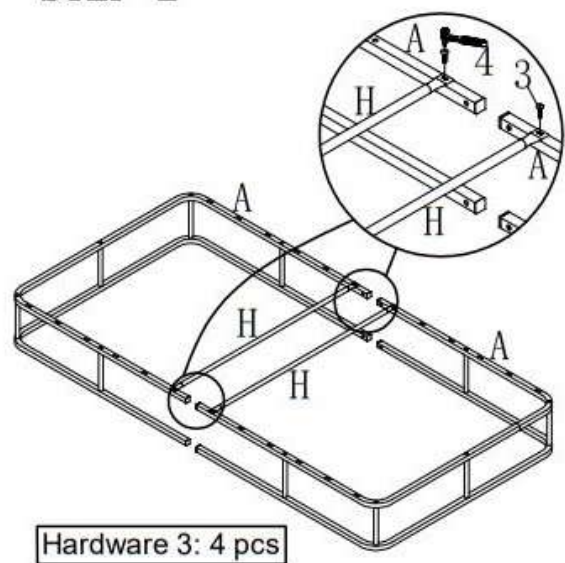
Note: Please do not tighten all bolts until the bed is assembled completely.

STEP 1



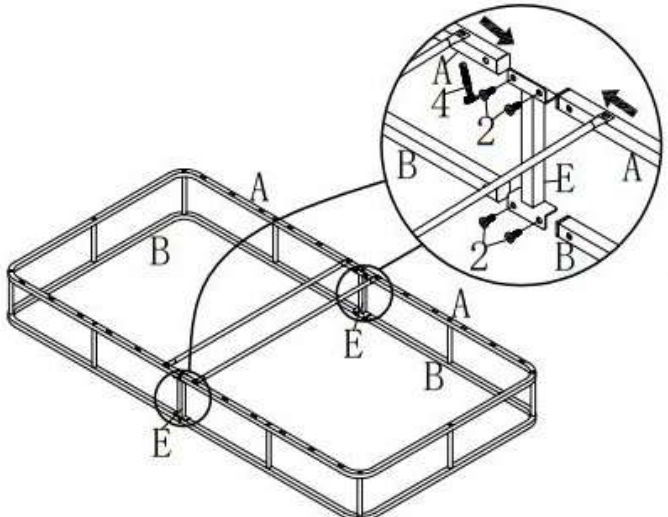
Hardware 1: 20 pcs

STEP 2



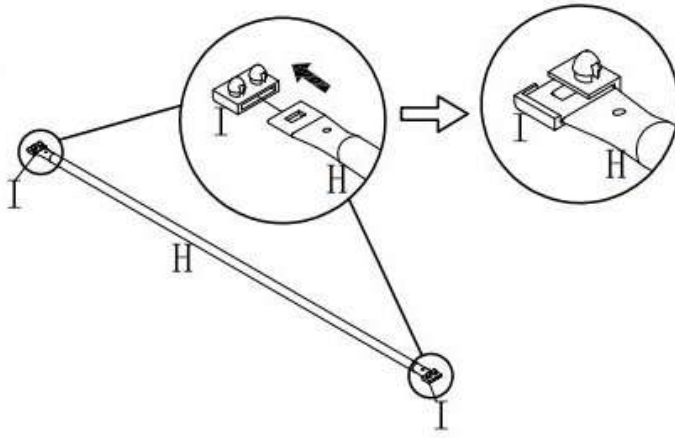
Hardware 3: 4 pcs

STEP 3

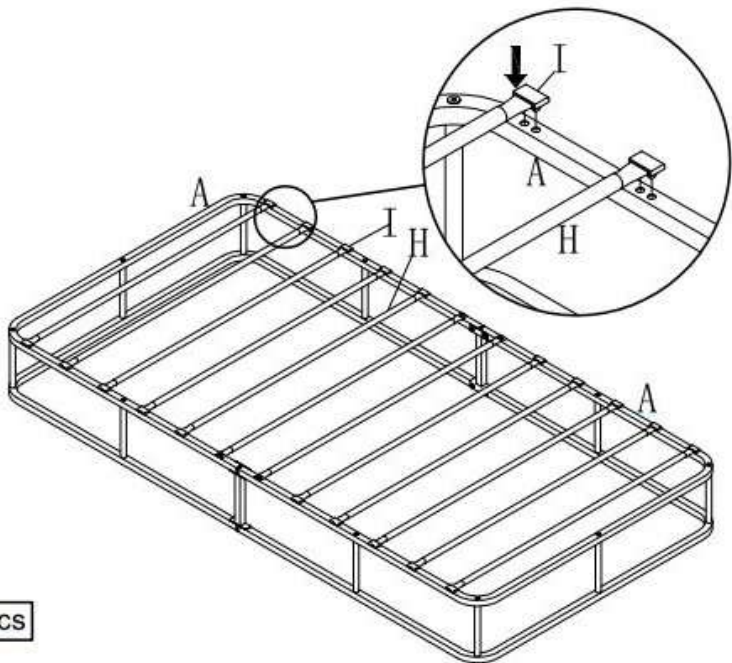


Hardware 2: 8 pcs

STEP 4



STEP 5

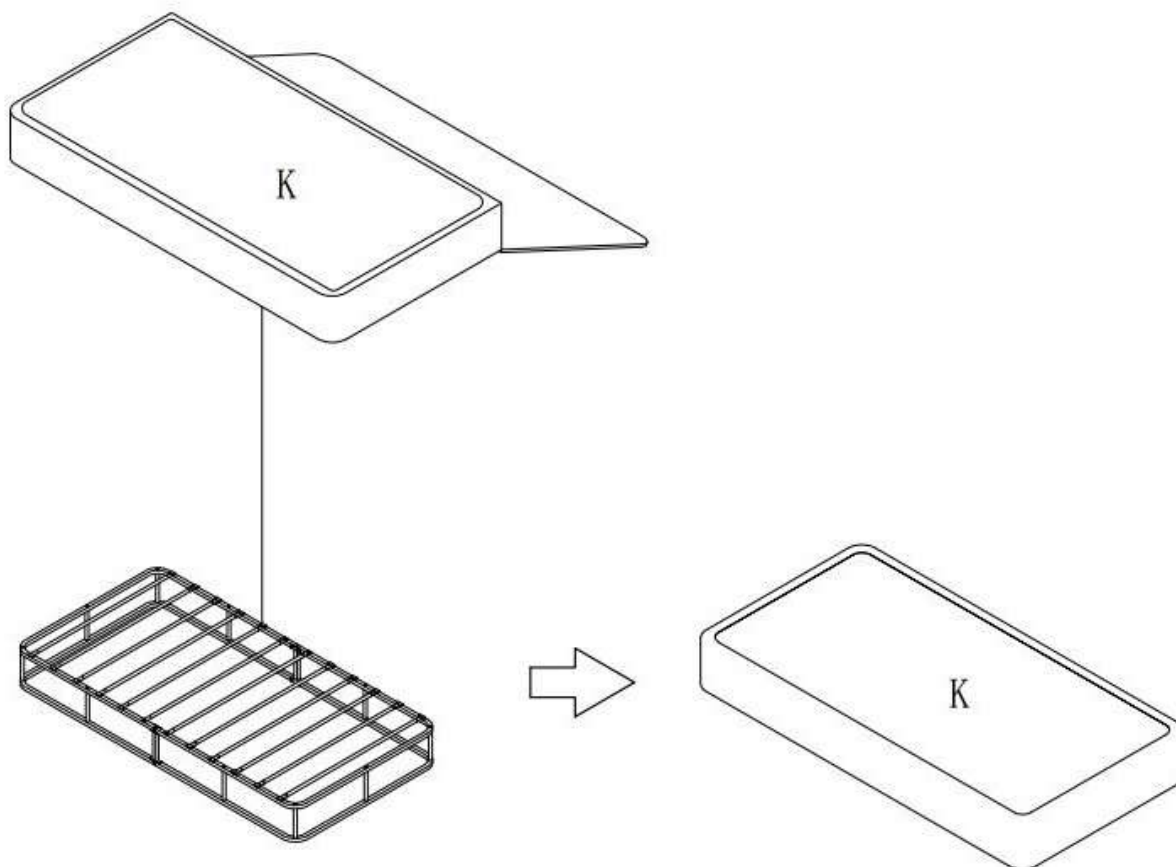


Hardware 4: 6 pcs

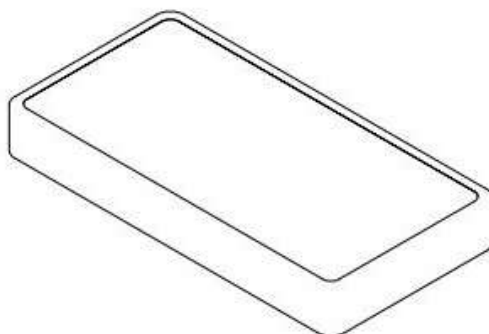
Activate Windows
Go to Settings to activate


Note: Please do not tighten all bolts until the bed is assembled completely.

STEP 6



COMPLETED



 For items use on wooden floor, hard surfaces or carpets, it is recommended to install protective pads under all legs and supports to avoid/prevent from damages/scratches and discoloration.