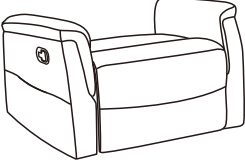
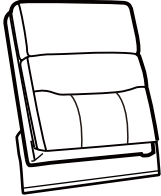


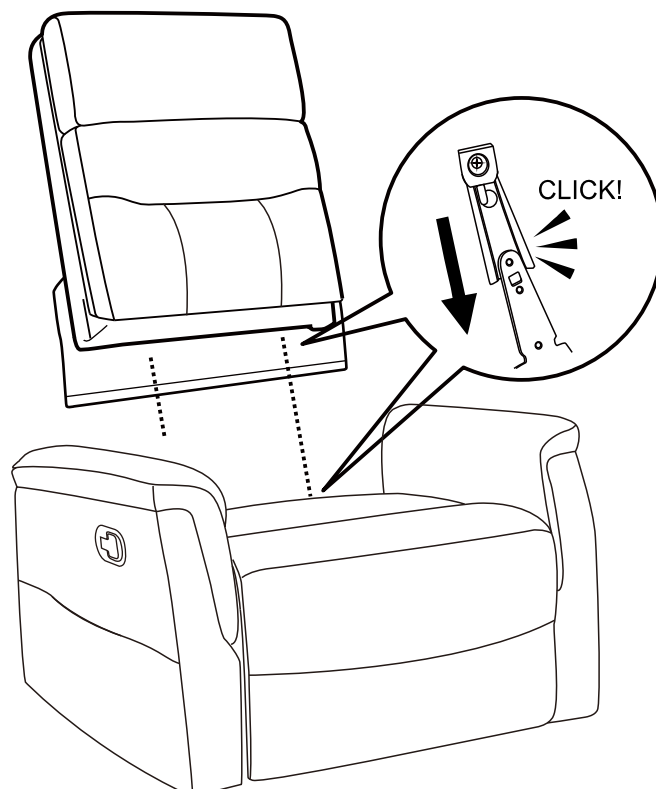
ASSEMBLY INSTRUCTIONS

FITTING LIST

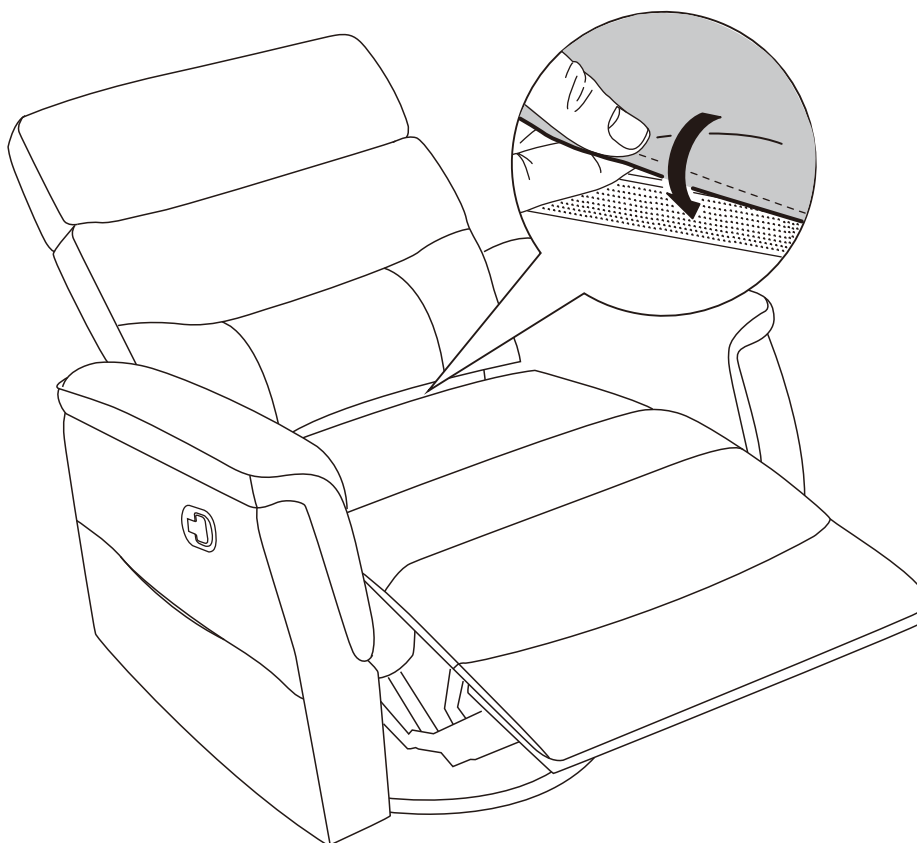
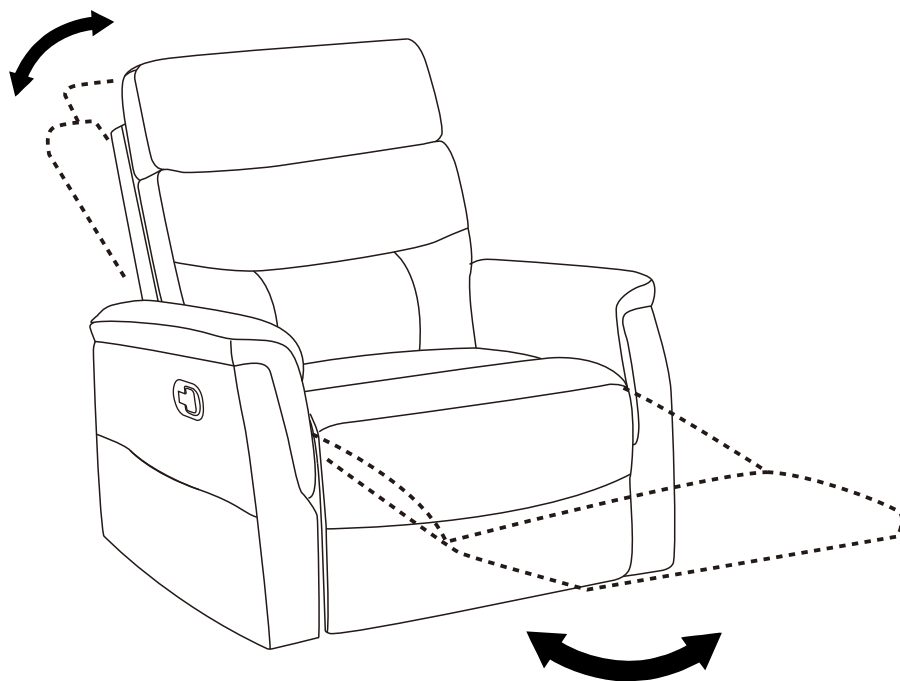
A 	B 
Chair base	Backrest

ASSEMBLY INSTRUCTIONS

STEP 1: Take out the backrest and find the position of the backrest insert and the position of the seat cushion slot. Align the insert with the two slots on the seat cushion simultaneously and gently push down. When you find that it can be fully embedded, press down again to make the insert and the slot completely buckle. When the backrest is completely installed with the seat cushion and there is no looseness, it means it is completed. Just so you know, if the backrest is loose, please check whether the insert is installed correctly. If you want to take the backrest out again, please forcefully pry open the slot and lift the backrest up at the same time.



STEP 2: Please use the handles on the side of the seat to extend the chair



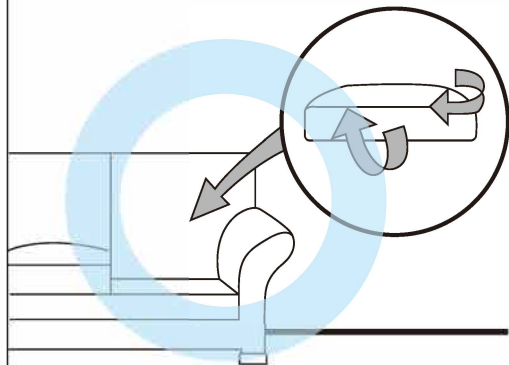
TO STORE OR CLEAN

Maintenance

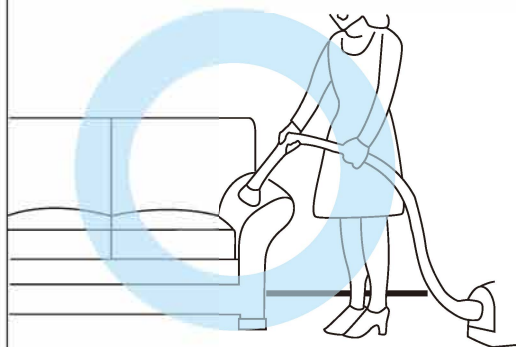
Instructions

Rotate reversible cushions regularly.

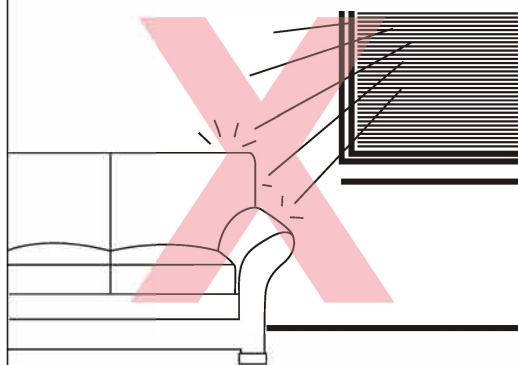
Turn over & Rotate



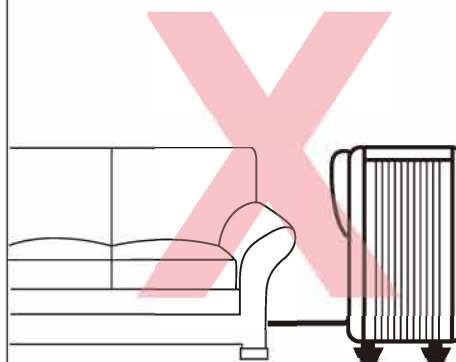
Vacuum your furniture regularly with upholstery tools.



Do not expose your furniture to prolonged periods of direct sunlight.



Do not place your furniture close to a radiator or similar heat source.

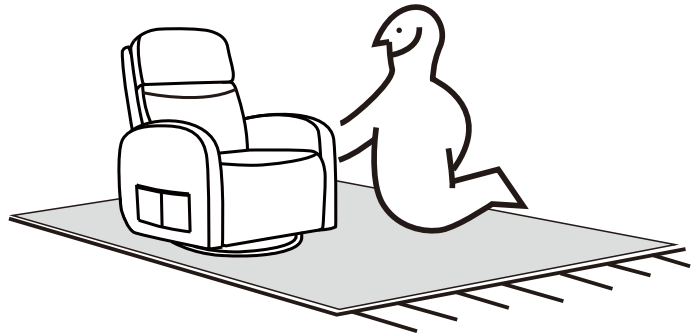
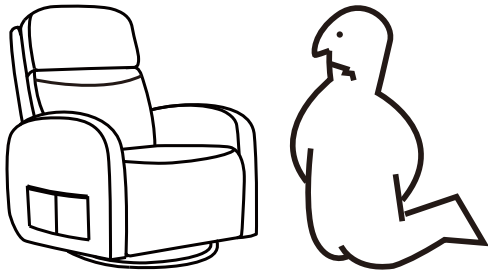
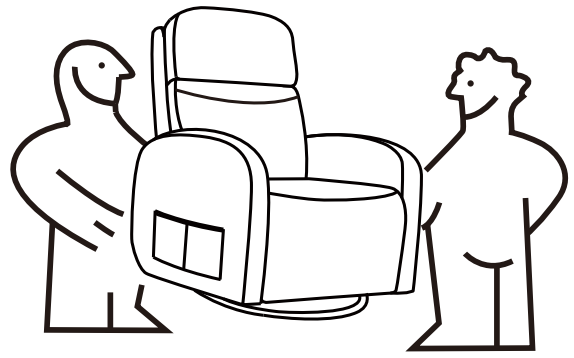
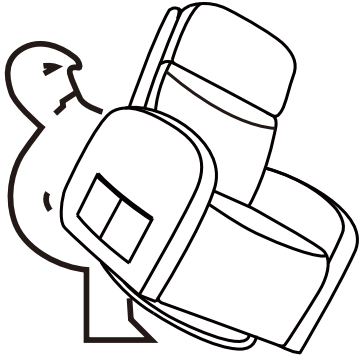


*Are you having difficulty
with assembly? Missing parts?*

*Please send email with your order No.
For return, please check the return policy
with the retailer or market place you bought
from.*

*Appreciate your purchasing from us.
Pop up your life by our furniture piece!*

ATTENTIONS



Put a carpet under the sofa to protect your floor while assembling

