

Eco-Logic™

Eco-Logic 10 BF
Food Waste Disposer

BATCH FEED



Eco-Logic disposers feature a 3-Bolt Mount System for fast replacement of existing 3-Bolt installations.

Operation

The Eco-Logic Batch Feed disposer utilizes a stopper/actuator which makes operation safer and quieter and eliminates the need for an outside on/off switch.

Corrosion Proof

Eco-Logic models carry a lifetime warranty against failure due to corrosion.

Permanent Magnet Motors

Eco-Logic motors offer maximum torque instantly with the power to cut through potential jams.

Attached Power Cord

Ready to plug in.

LARGEST HORSEPOWER AVAILABLE!

HORSEPOWER	1 ¼ HP
MOTOR SPEED RPM	2800 RPM
VOLTAGE	120 V
AMPS	7.5 A
CYCLES	60 Hz
BEARINGS	Permanently Lubricated, Sleeve Type
MOTOR TYPE	Permanent Magnet
GRIND RING	Stainless Steel
SWIVEL IMPELLERS	Cast Stainless Steel
BALANCED TURNTABLE	Stainless Steel
BALANCED ARMATURE SHAFT	Yes
HOPPER	Corrosion Proof
DRAIN HOUSING	Corrosion Proof
APPLIANCE PROTECTOR	Manual Reset
SINK FLANGE	Stainless Steel
MOUNT ASSEMBLY	3-Bolt
SOUND SHELL	Full
ATTACHED POWER CORD	Yes
DISHWASHER CONNECTION	Yes
UNIT WEIGHT	5.2 lbs.
INDIVIDUAL SHIPPING WEIGHT	17 lbs.
LIFETIME CORROSION GUARANTEE WARRANTY	Yes 10 YEARS



BIO SHIELD® Antimicrobial for ODOR PROTECTION!

Disposers are treated with an antimicrobial agent molded inside providing protection against odor causing bacteria growth.

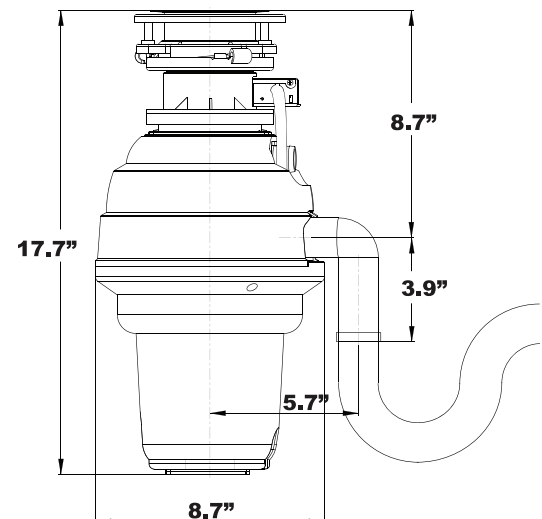


TORQUE MASTER®

Balanced Grinding System:

A combination of computer designed and balanced components working in unison to provide superior torque grind speed and long system life.

Dimensions



Joneca Company, LLC

4332 E. La Palma Avenue, Anaheim, California 92807
Telephone: 714.993.5997 Fax: 714.993.2126 Toll Free 1-888-8Joneca
Website: www.Joneca.com Email: ContactUs@Joneca.com

©2017 Joneca Company, LLC, All Rights Reserved.

SS-EL10BF-3B-211