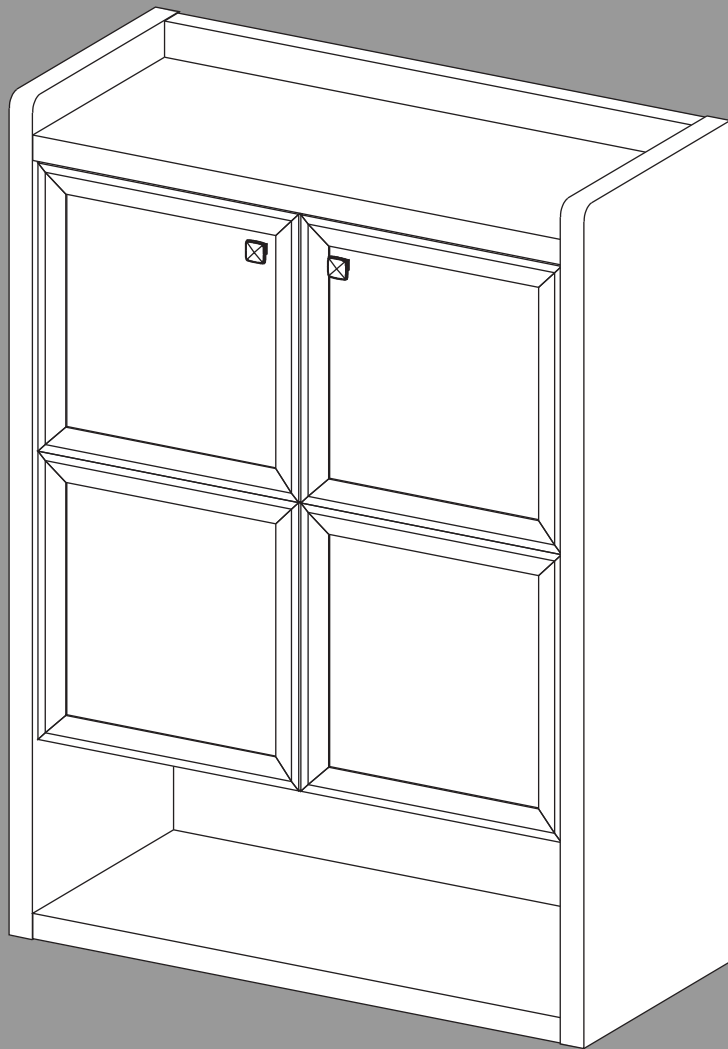


SICOTAS

Helio Shoe Cabinet

SR128A1XWTY1854 | SR128A1XBNY1855



Helio Collections

Assembly Instructions

Before beginning the assembly process, please read and save these instructions for reference. Following these guidelines will ensure a smooth and successful assembly of your product.

1. Part Identification:

Carefully separate and identify all the parts included in your package. Confirm that you have all the components listed in the instruction manual. This step will help you avoid any missing or misplaced parts during assembly.

2. Work Surface:

To prevent any scratches or damage to the product, assemble it on a soft mat or a similar protective surface. This will provide a cushioned area for the components and protect the surfaces from unwanted marks.

3. Step-by-Step Assembly:

Follow the assembly instructions provided, proceeding one step at a time. Take care to understand each step properly before proceeding to the next one. This sequential approach ensures that the assembly is done correctly and minimizes the chance of errors.

4. Proper Screw Seating:

When attaching screws and nuts, it is essential not to fully tighten them until all screws are correctly seated. By partially tightening each screw and nut initially, you can ensure that they are aligned properly and fit securely before final tightening.

5. Avoid Over-Tightening:

While each screw and nut should be tightened correctly, it is crucial not to over-tighten them. Over-tightening can cause damage to the product or compromise its structural integrity. Use the appropriate amount of force to secure the components without excessive tightening.

SICOTAS customer help center:

If you encounter any questions or problems during the assembly process, please do not hesitate to contact us.

We strive to provide excellent customer support and will respond to your inquiries within 24 hours. Our team will offer you a suitable solution to address any concerns you may have.



Email:
service@sicotas.com



Website:
www.sicotas.com



Phone:
(833) 742-6827



Official Website:



WhatsApp:



YouTube:



Instagram:

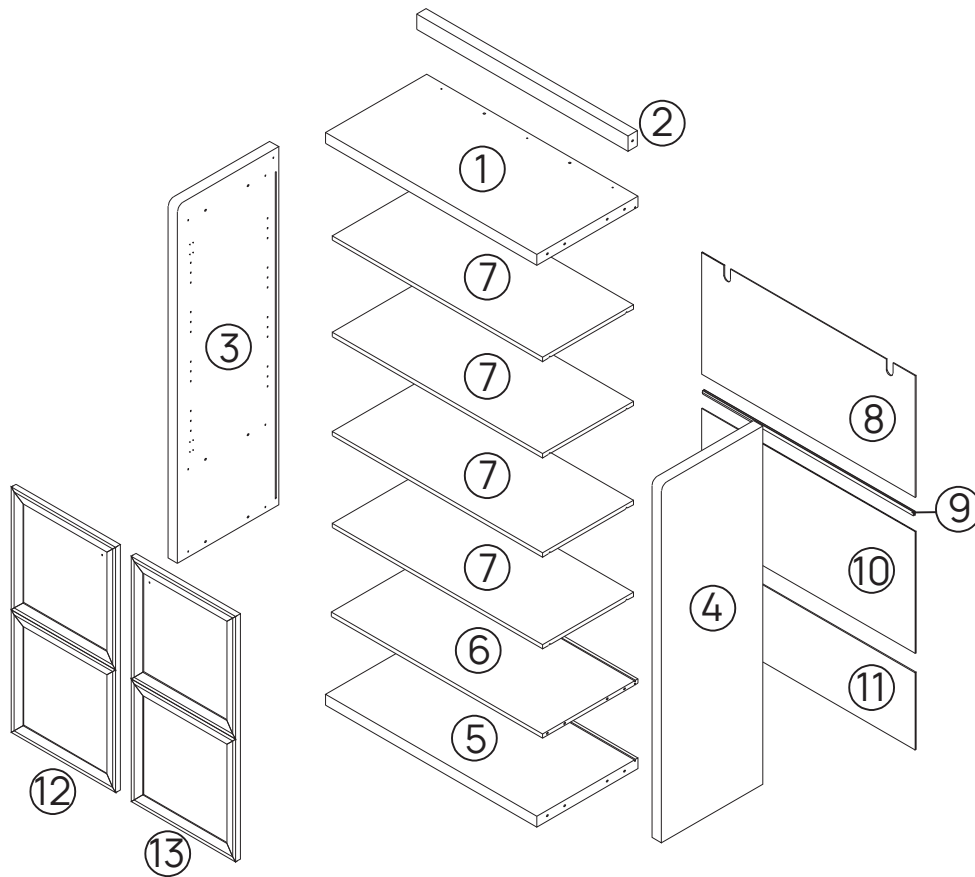


Facebook:



TikTok:

Parts List



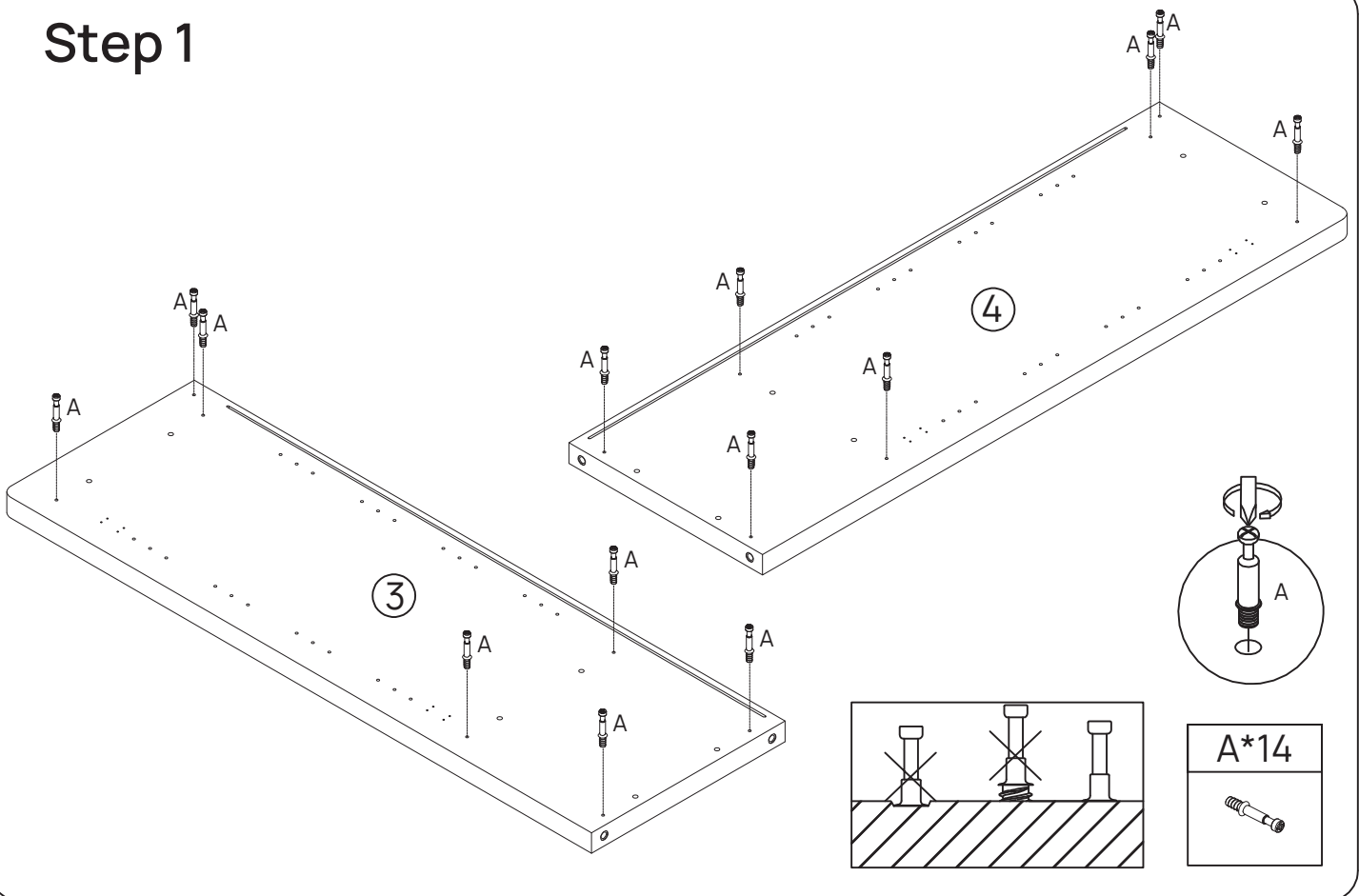
Hardware List



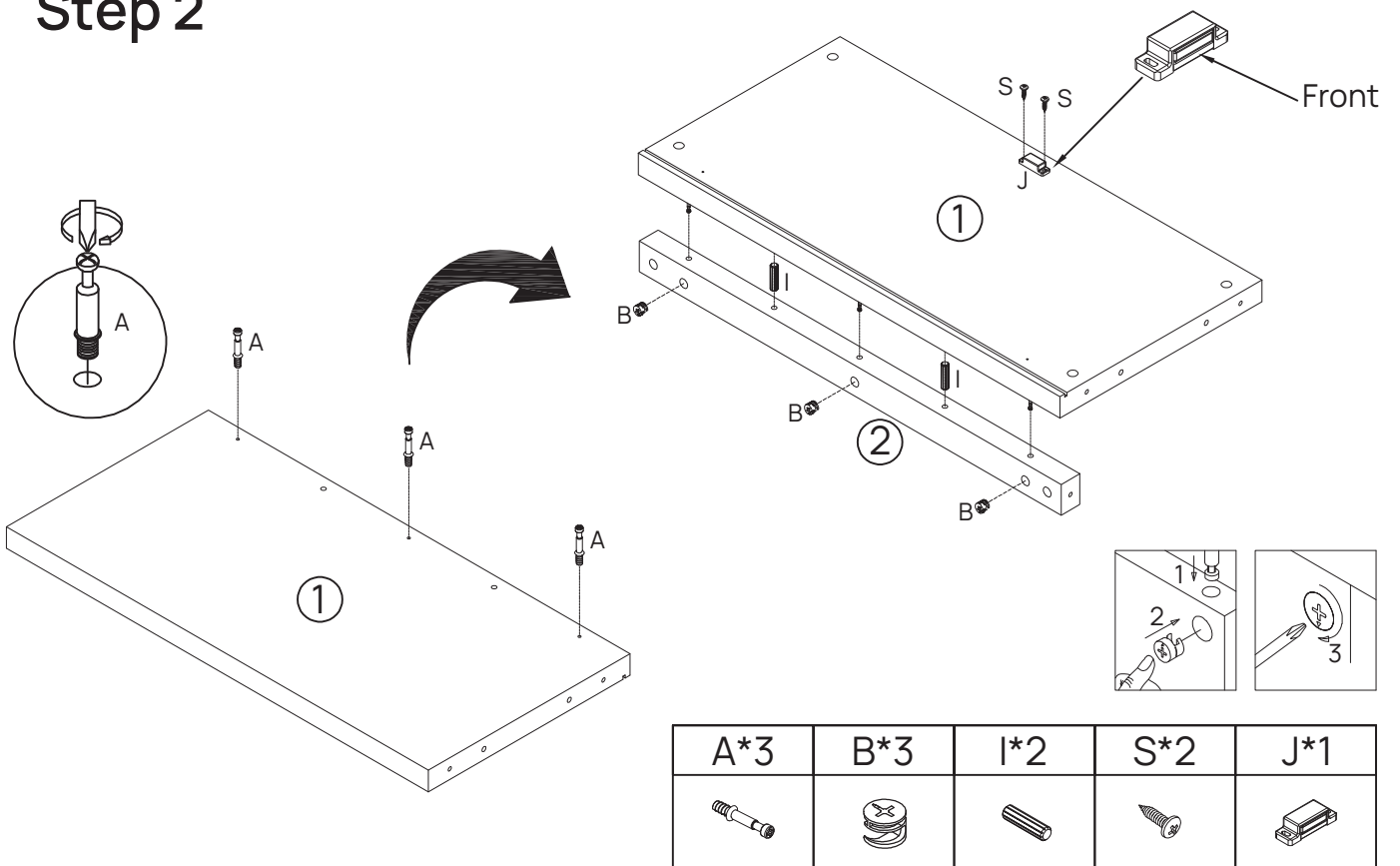
Code	Description	Quantity
A	Ø6x35mm Cam bolt	17+2
B	Ø15x11mm Cam lock	17+2
C	Door catch plate	2
D	M3x12mm Screw	2+1
E	Wall anchor	2
F	Handle	2
G	Back clip	16+2
H	M3x17mm Screw	16+2
I	Ø8x30mm Wooden dowel	14+2
J	Magnetic door catch	1

Code	Description	Quantity
K	M3.5x14mm Screw	24+2
L	Hinge	4
M	Metal pin	16+2
N	M4x12mm Screw	2+1
O	M4x35mm Screw	2+1
P	Anti-tip	2
Q	M4x15mm Screw	2
R	Adjusting the footrest	4
S	M3x15mm Screw	2+1

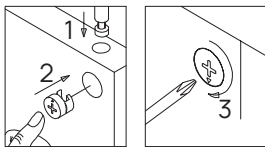
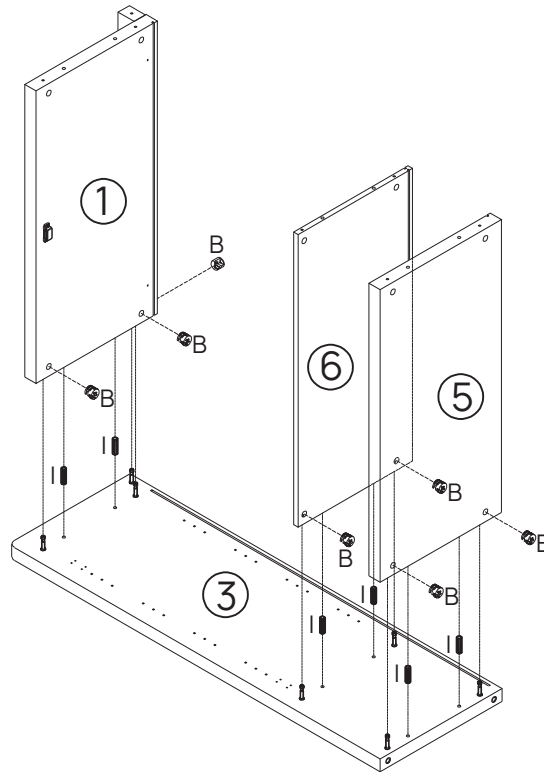
Step 1



Step 2

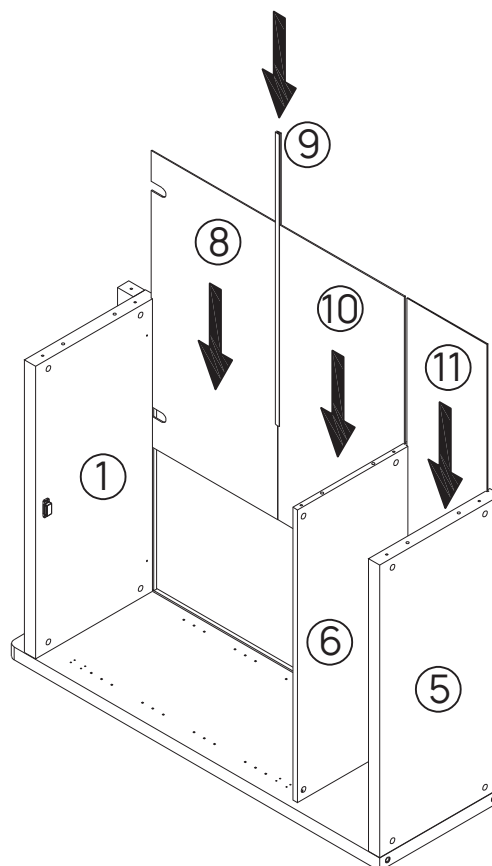


Step 3

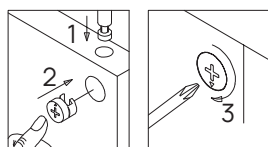
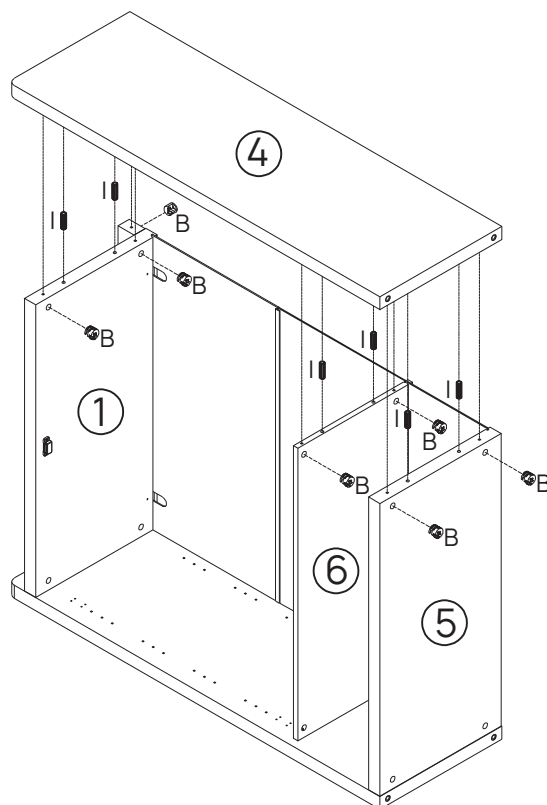




B*7	I*6

Step 4

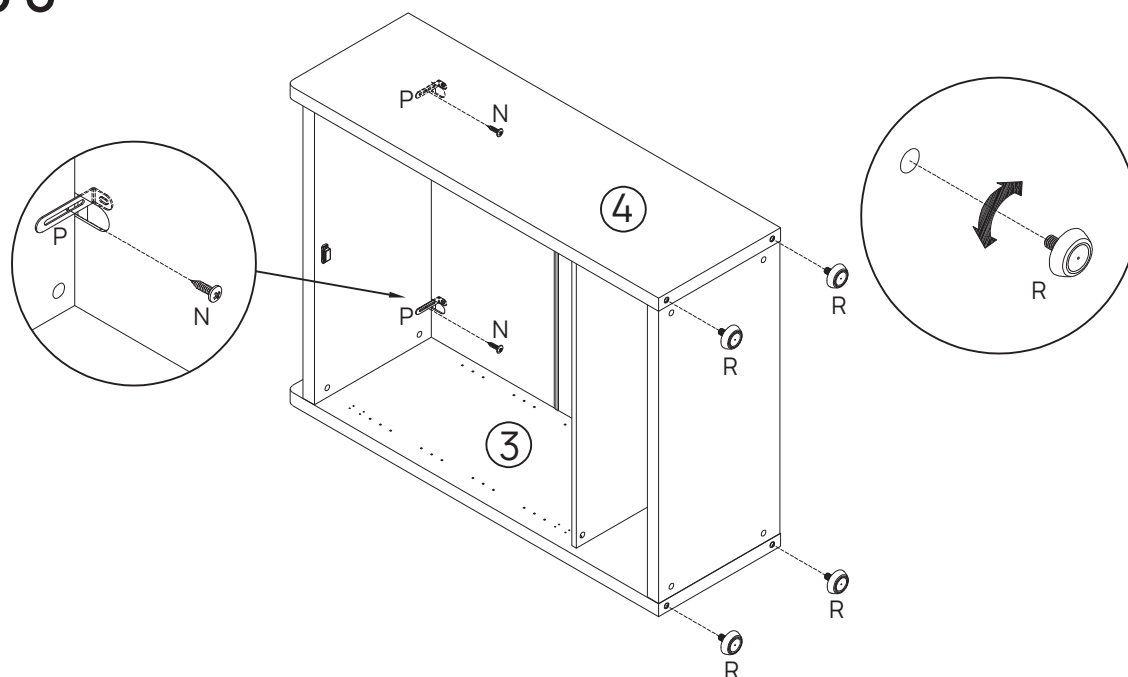





Step 5



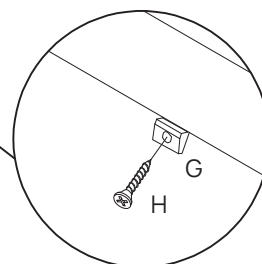
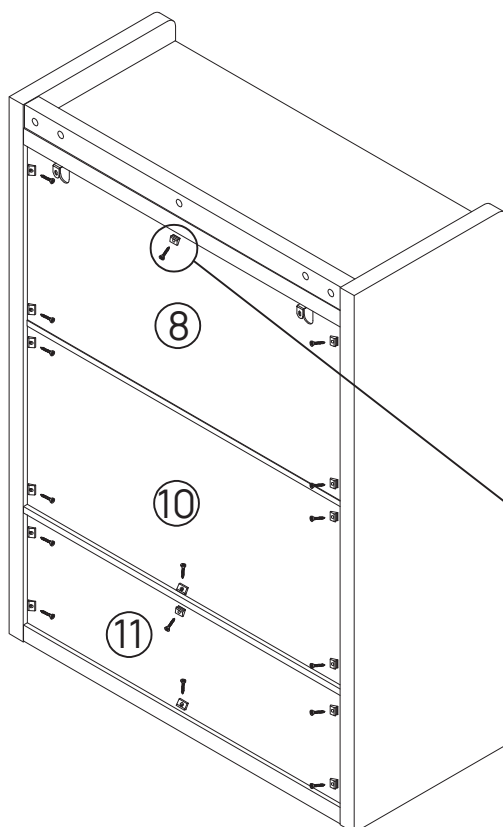
B*7	I*6
	



Step 6



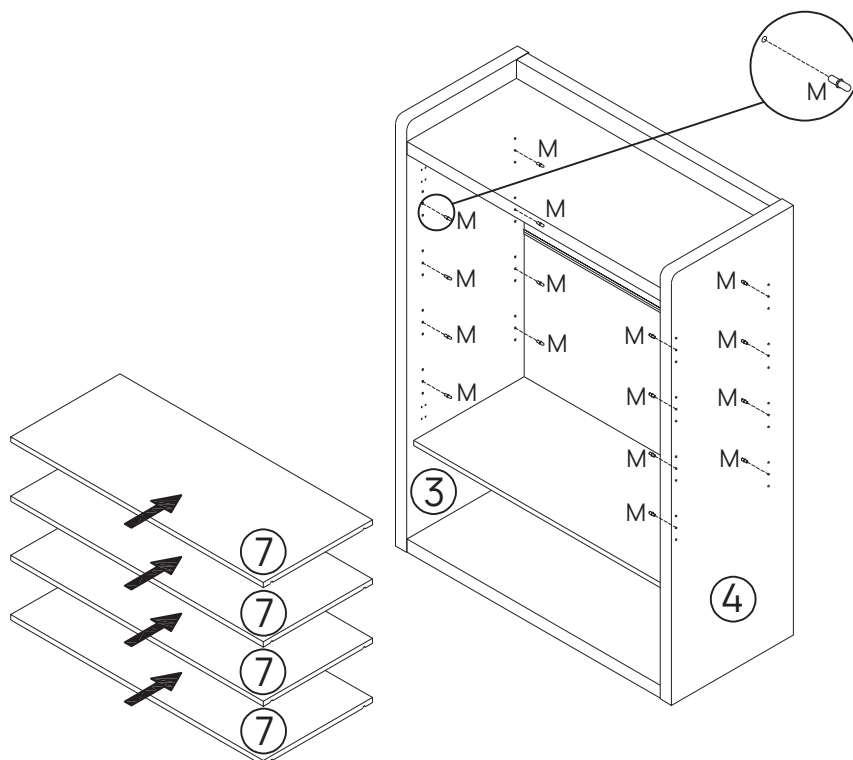
N*2	P*2	R*4
		


Step 7



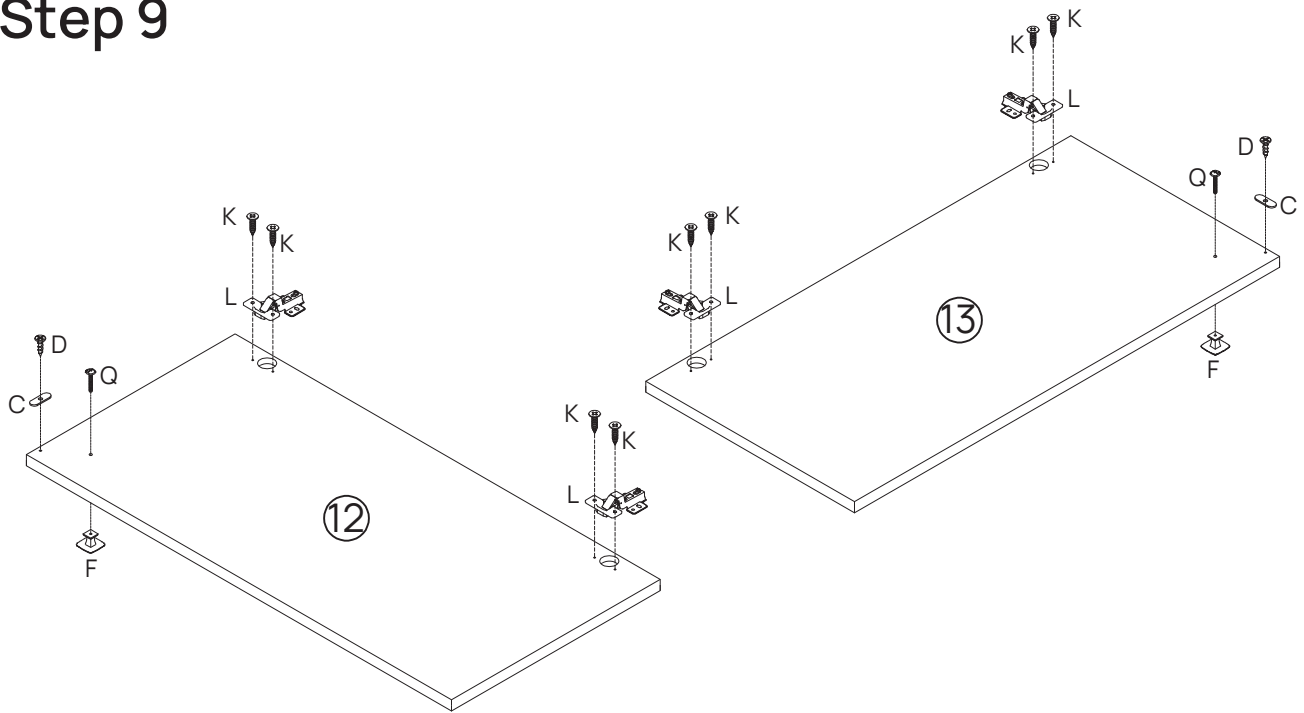
G*16	H*16
	

Step 8



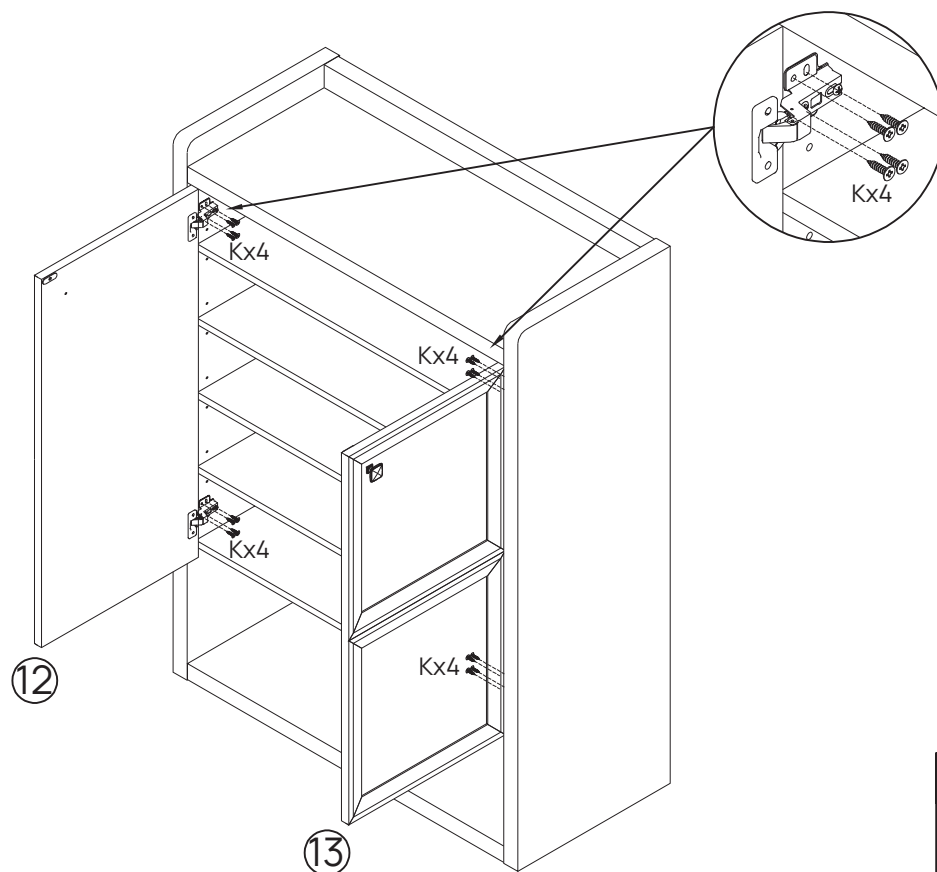
M*16


Step 9



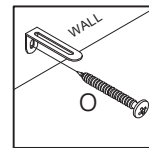
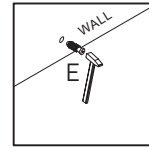
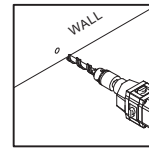
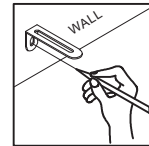
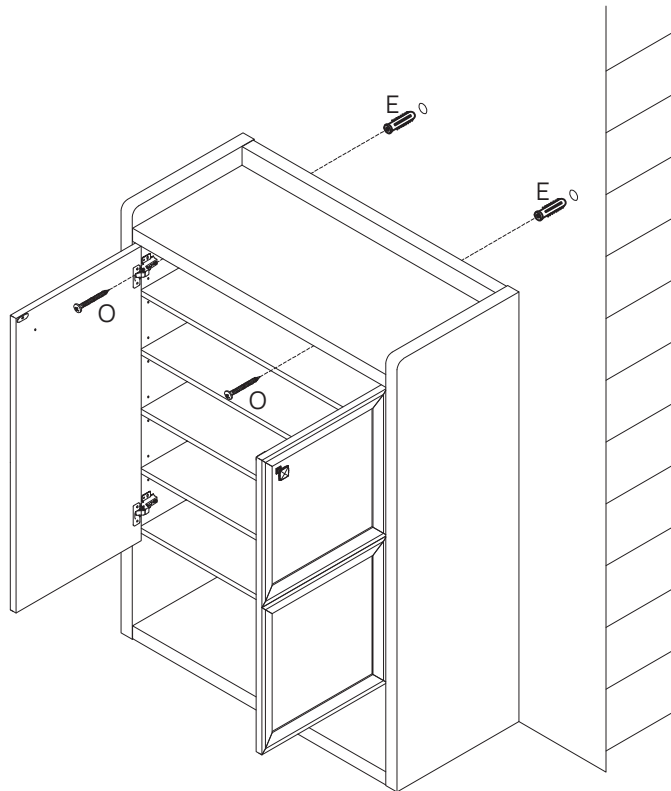
L*4	K*8	Q*2	F*2	D*2	C*2



Step 10



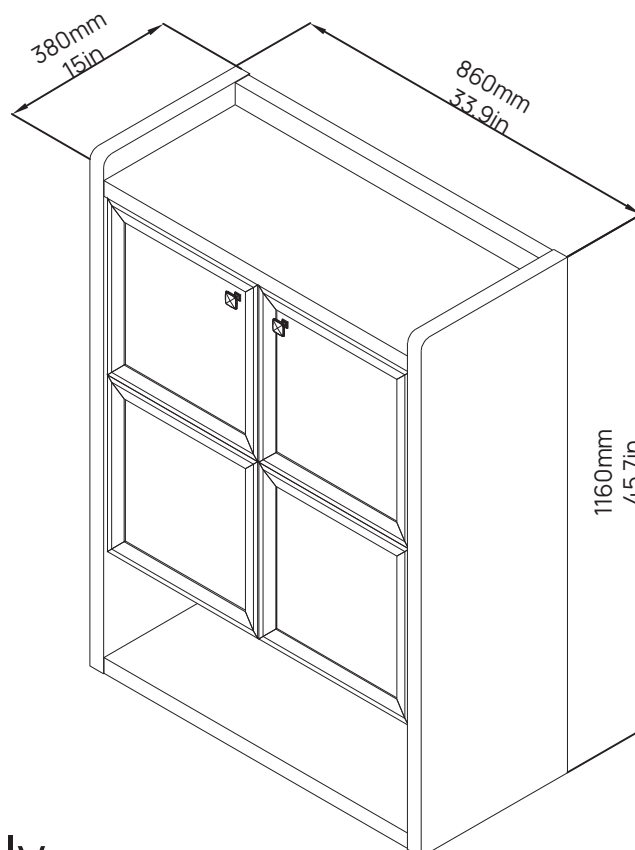
K*16

Step 11



O*2	E*2
	

Step 12

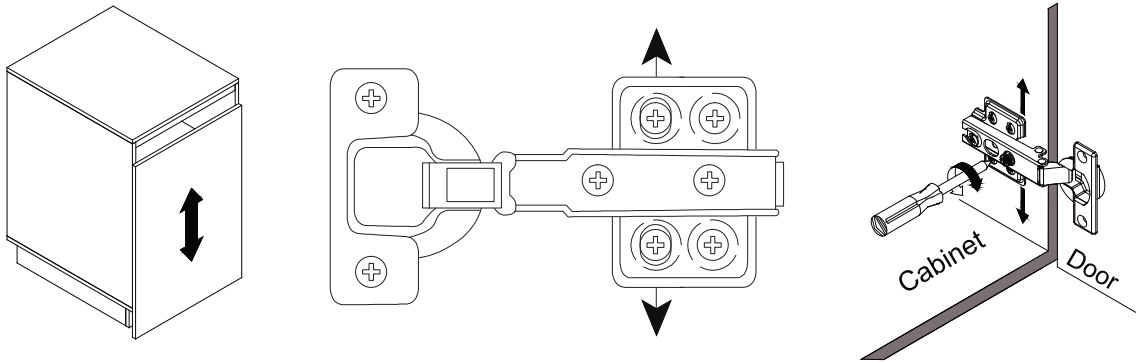


Final Assembly

Cabinet Door Adjustment Instructions

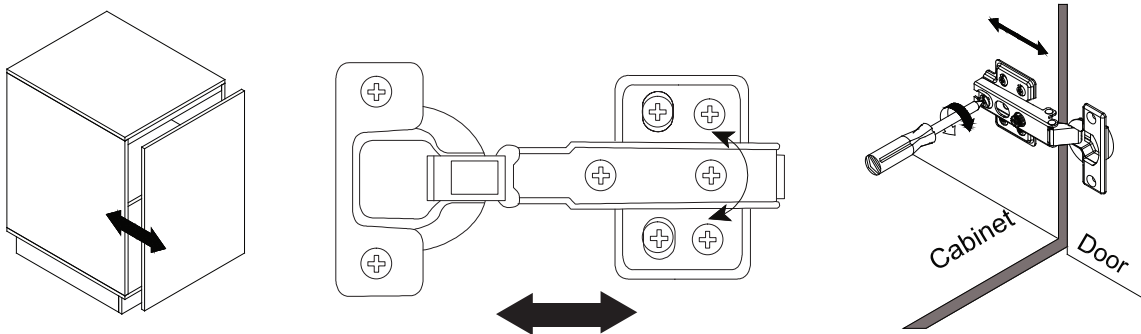
Height adjustment:

- Locate the height adjustment screws on the hinge.
- Use the Phillips screwdriver to either tighten or loosen the screws to raise or lower the cabinet door as desired.



Side-to-side adjustment:

- If the cabinet door needs to be moved closer to or away from the cabinet frame, locate the side-to-side adjustment screws on the hinge.
- Use the Phillips screwdriver to adjust these screws and gradually move the door in the desired direction.



Depth adjustment (if applicable):

