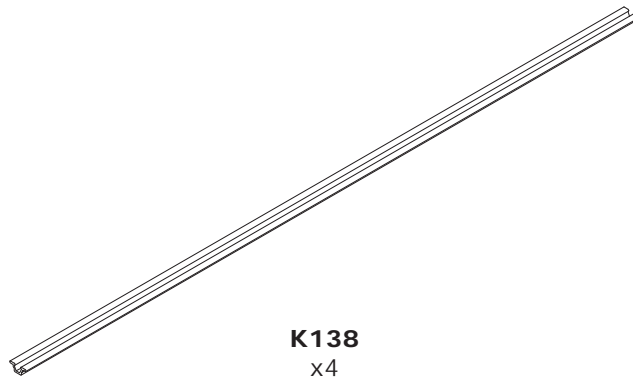
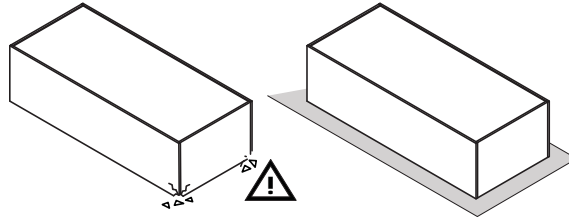
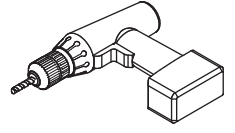
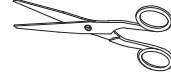
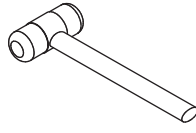
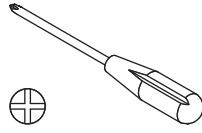
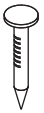


2h



K138
x4

BU3457



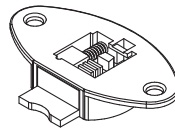
H15
x55



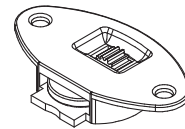
H14
x1



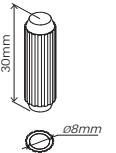
V5
x21



H249
x4



H237
x4



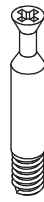
H1
x16



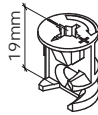
R40
x16



G156
x8



T28
x8



T97
x8



G158
x6



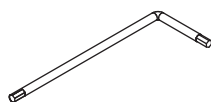
H113
x8



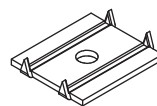
P25
x6



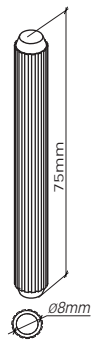
H118
x6



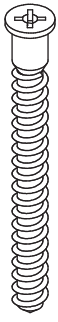
H138
x1



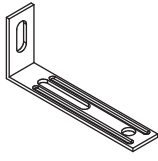
H99
x5



H270
x2



V115
x4



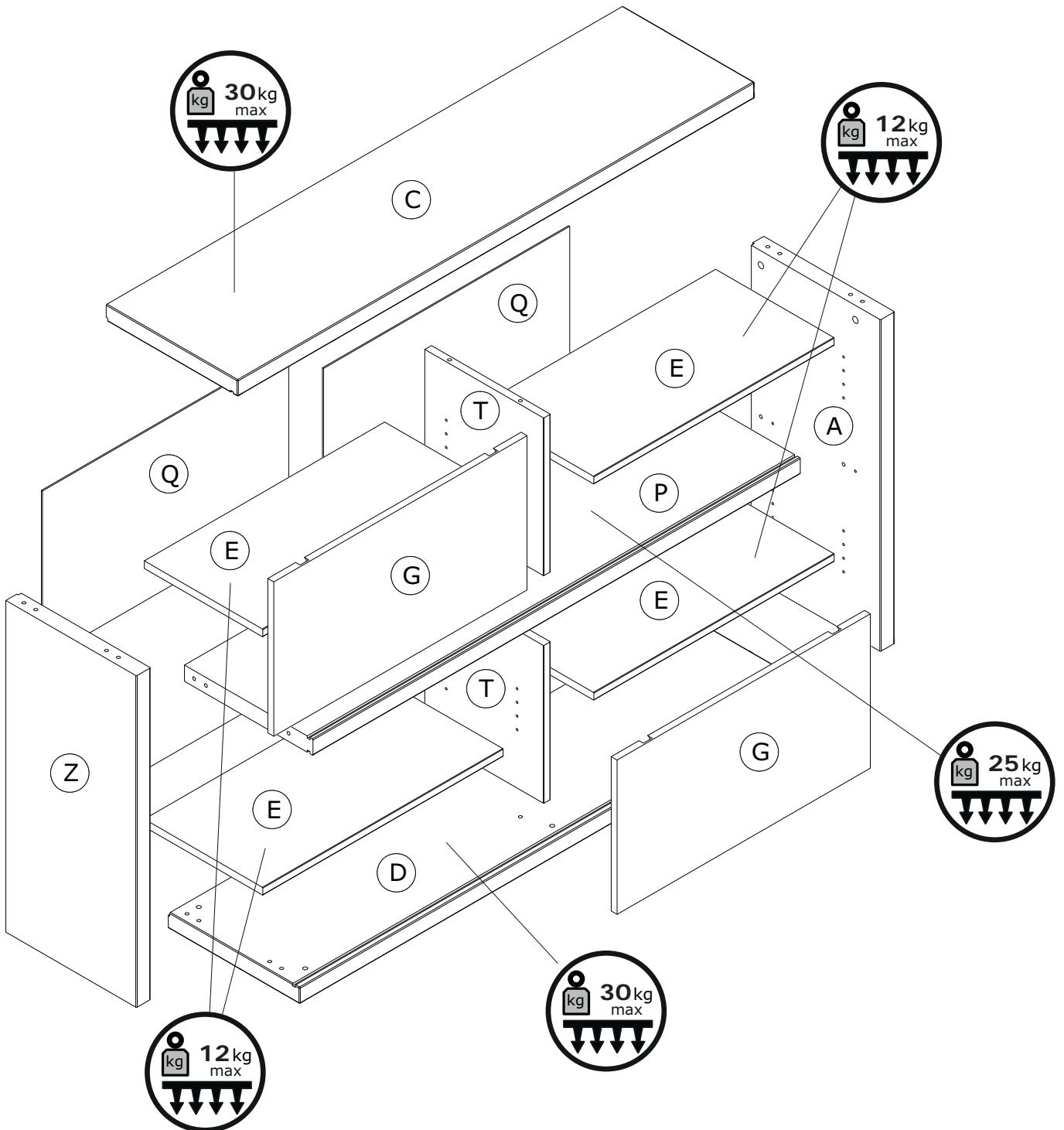
H185
x1

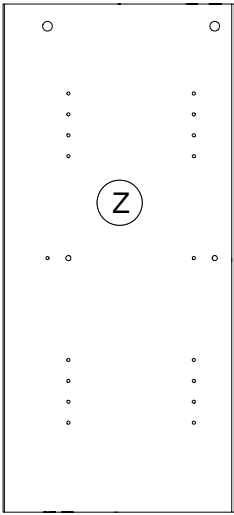


V81
x2

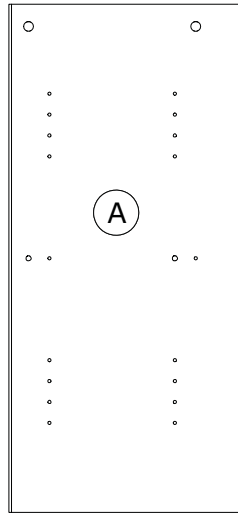


H129
x2

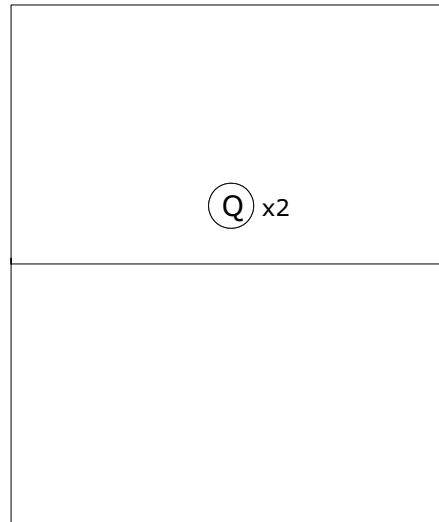




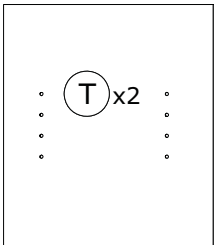
FI7465
778x354x38mm



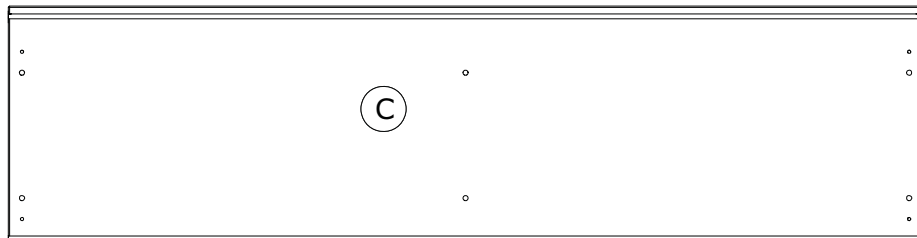
FI7464
778x354x38mm



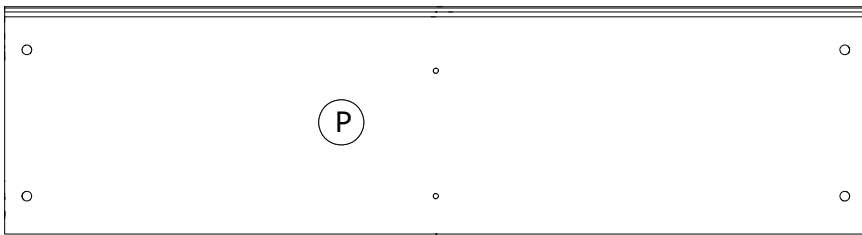
SH2806
793x667x3mm



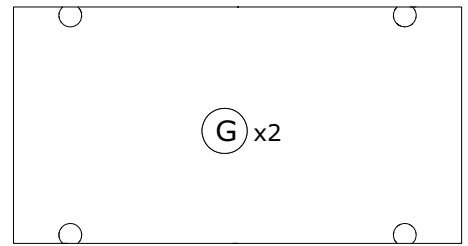
TR1857
370x322x18mm



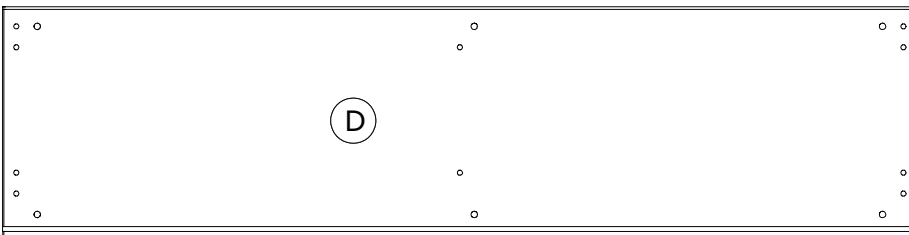
CA3053
1400x356x38mm



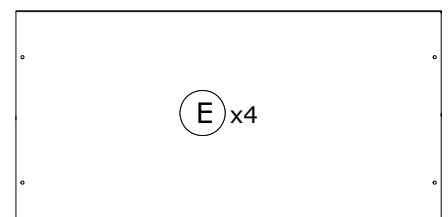
PI6509
1320x348x38mm



AN2353
362x686x16mm

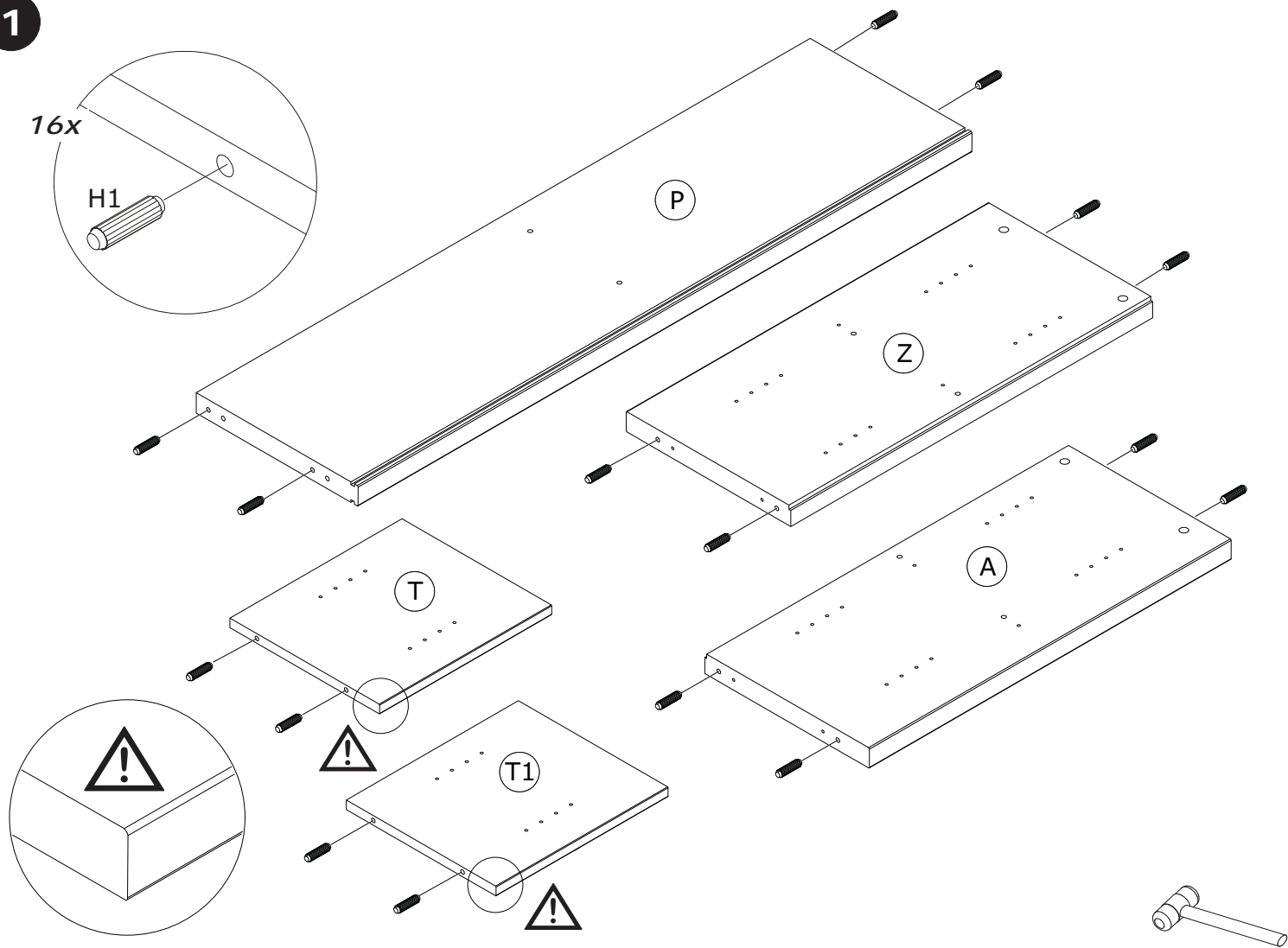


BA1857
1400x356x38mm

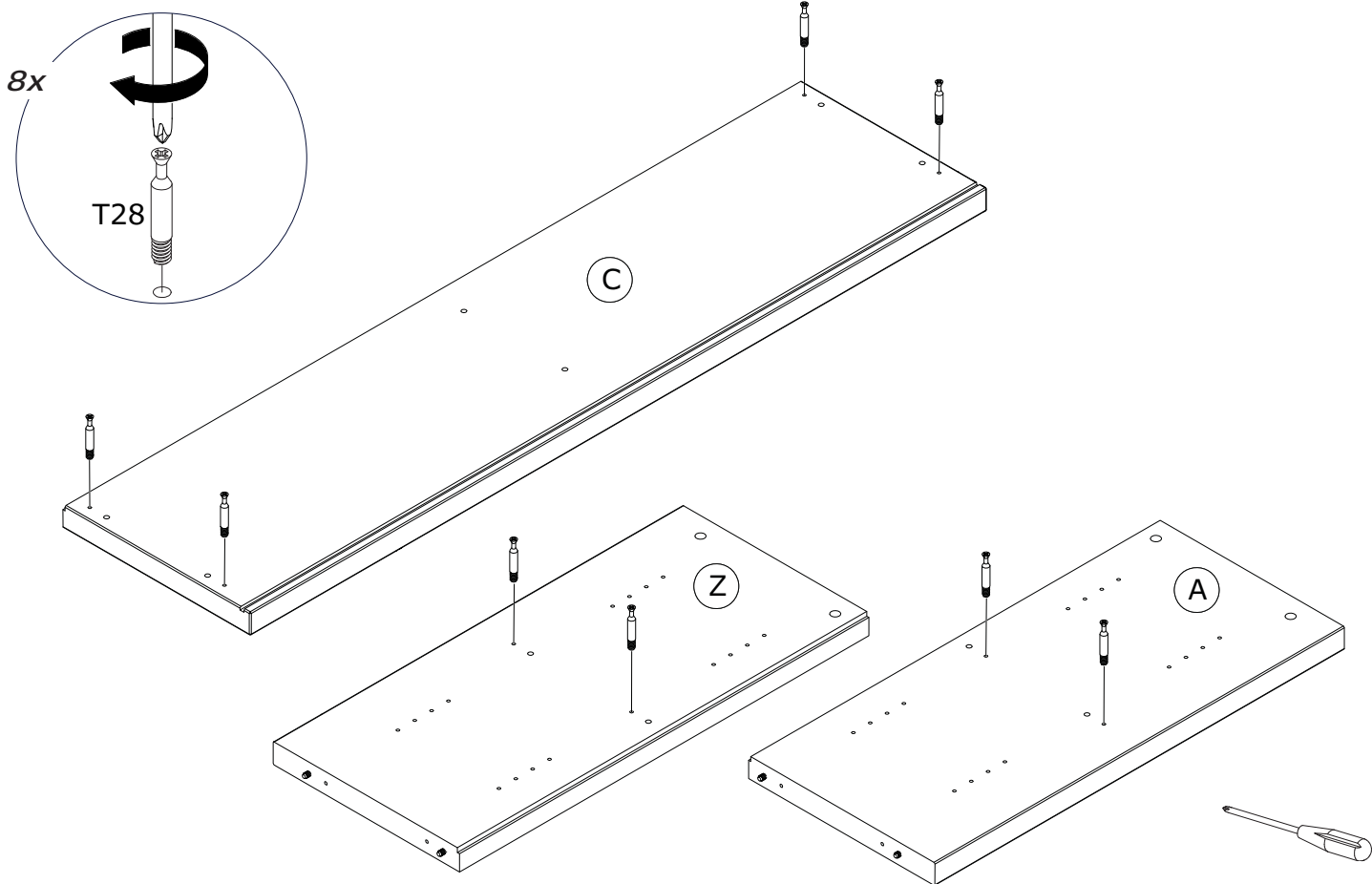


PI6510
651x321x18mm

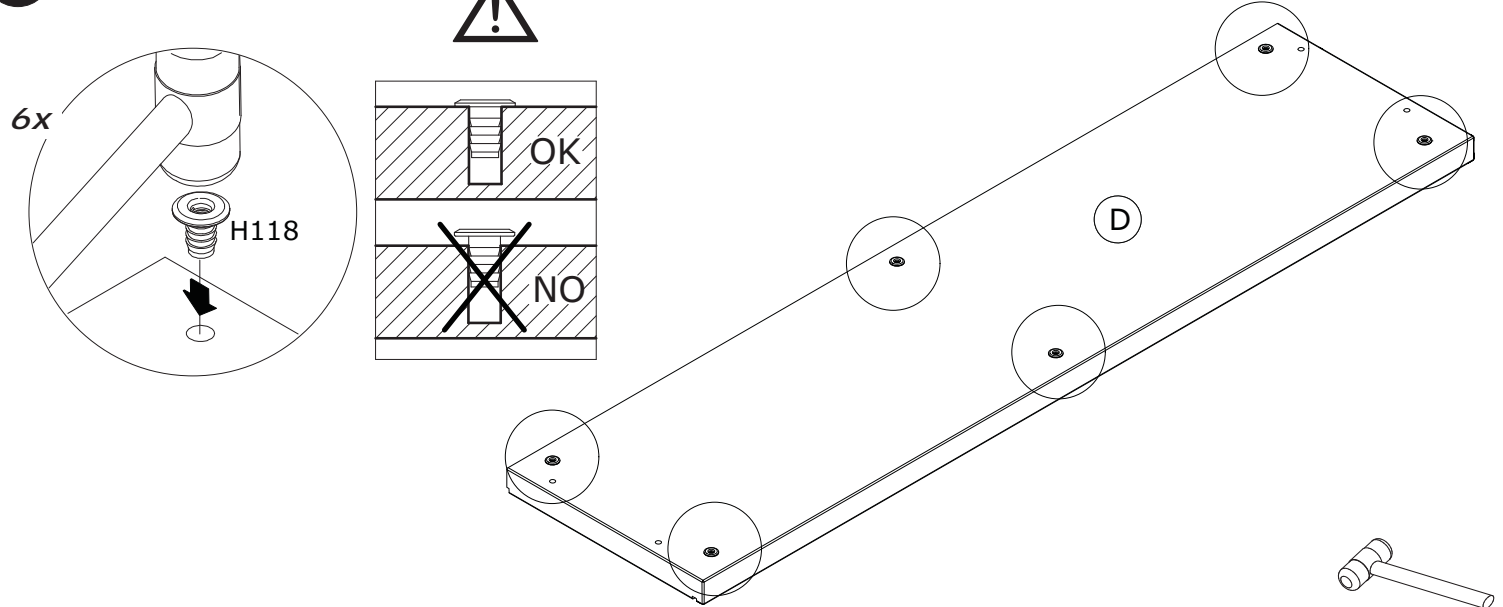
1



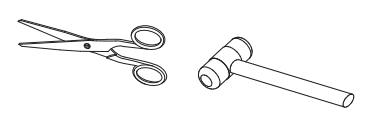
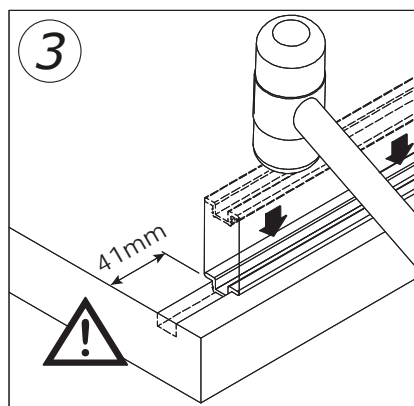
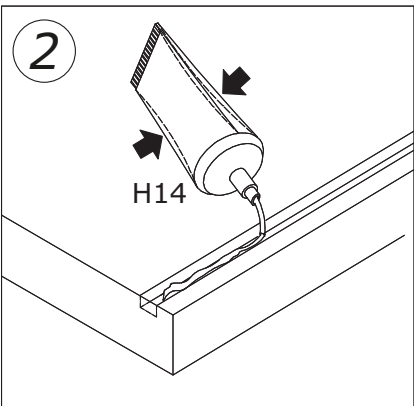
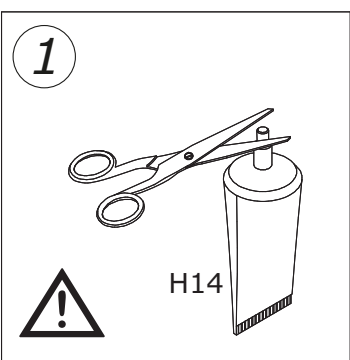
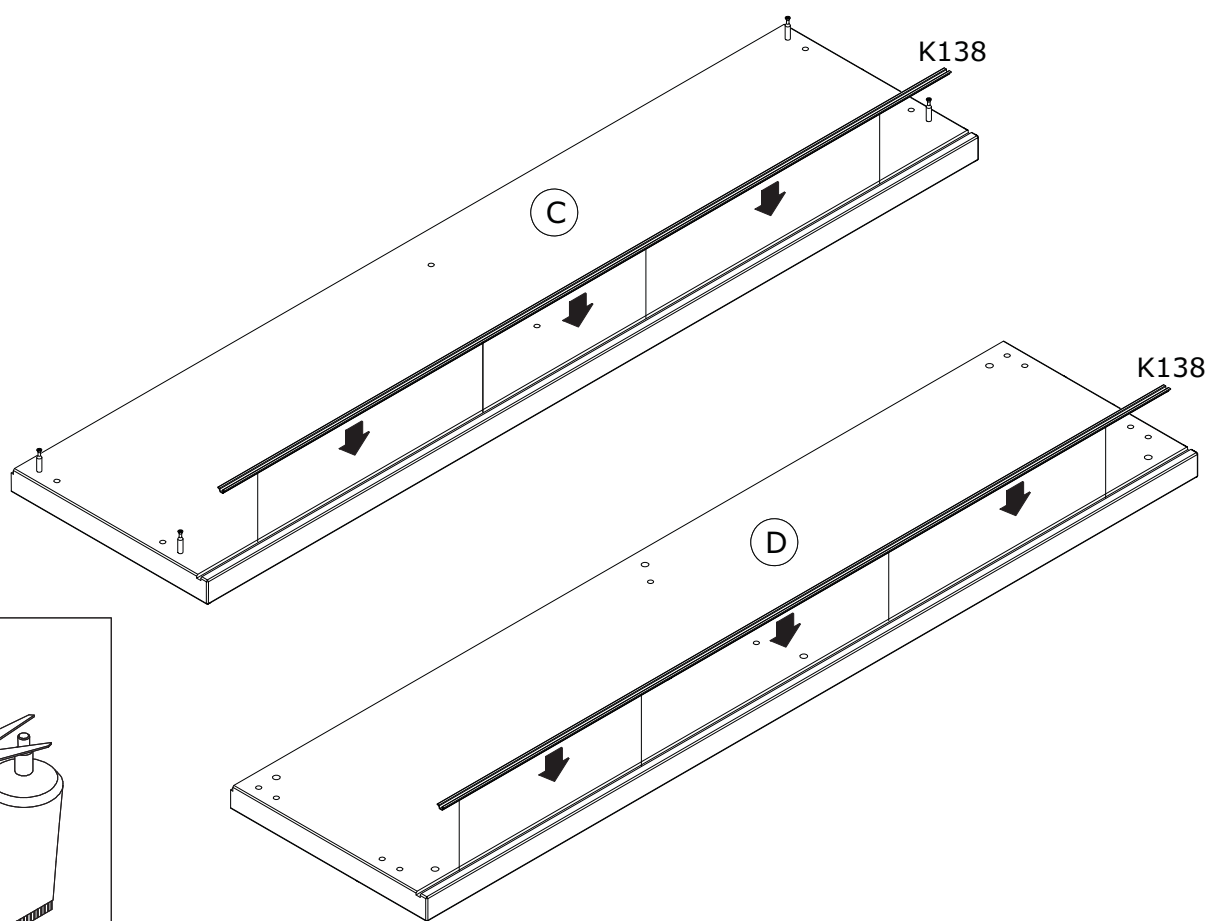
2



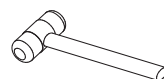
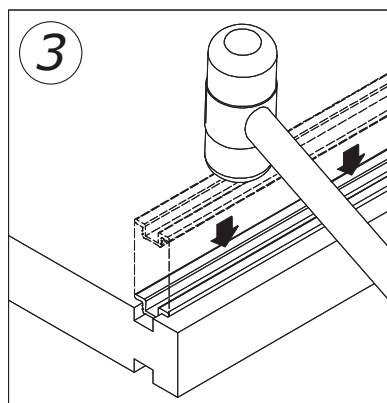
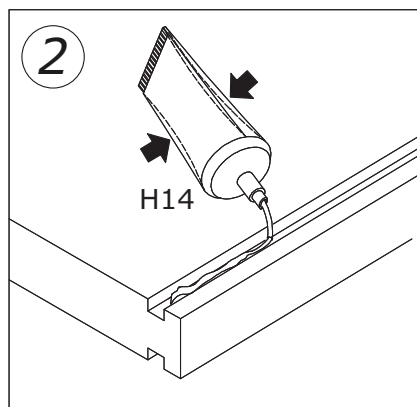
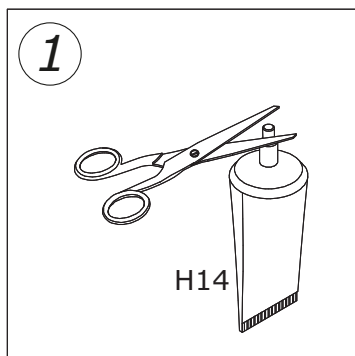
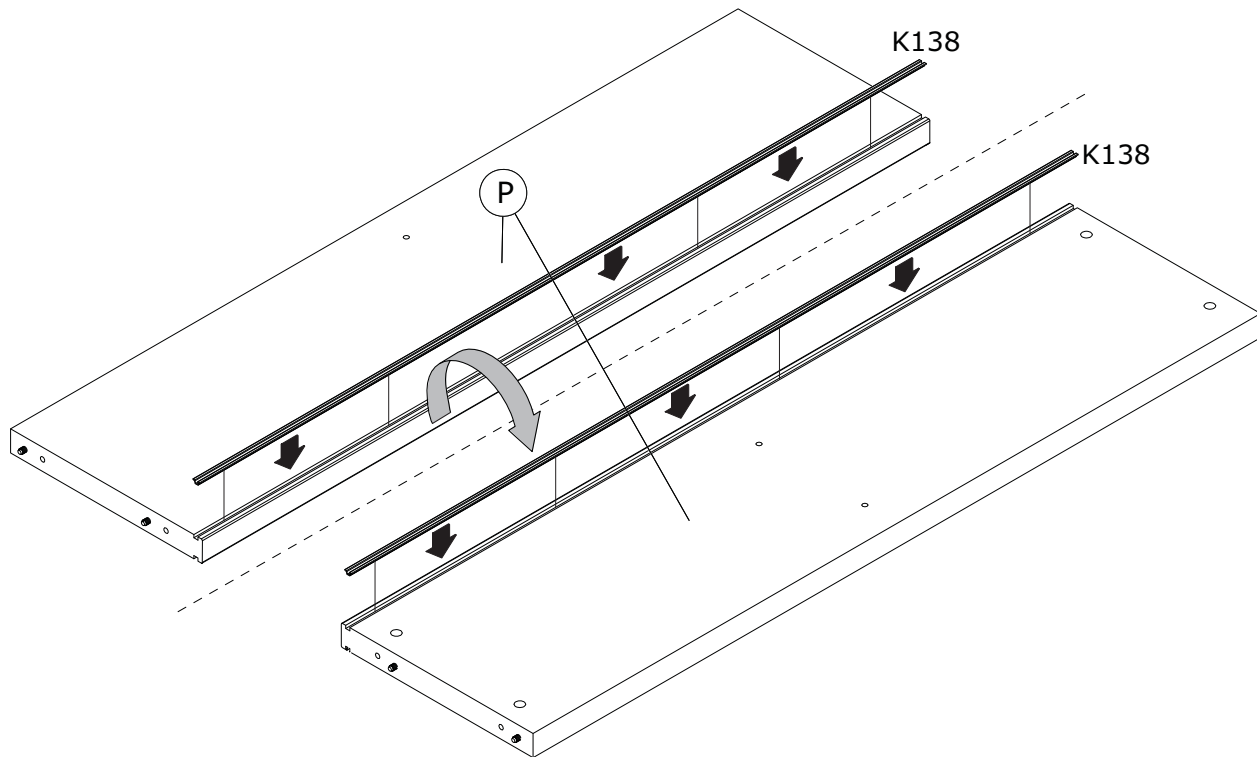
3



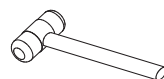
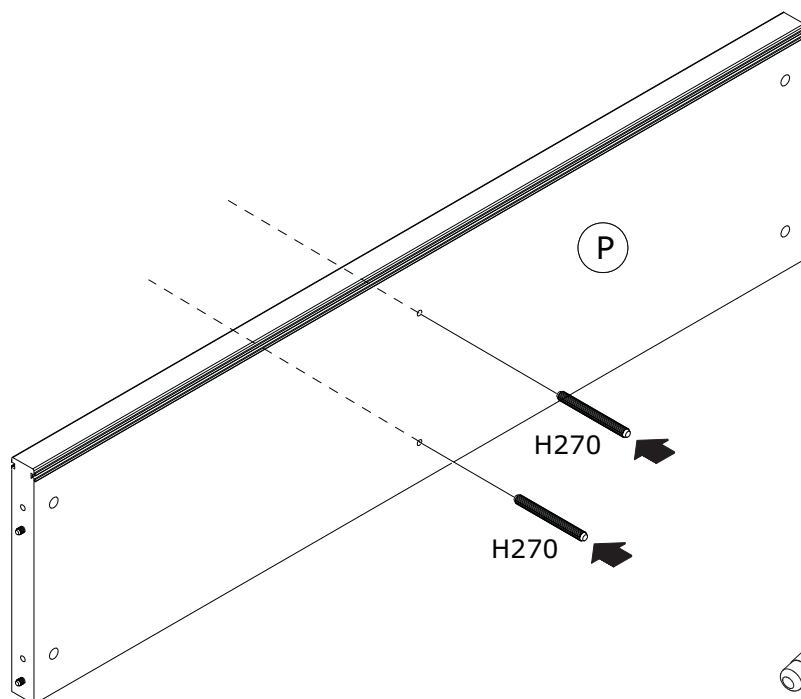
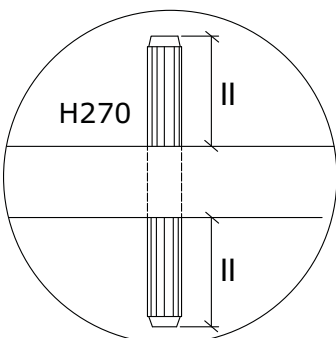
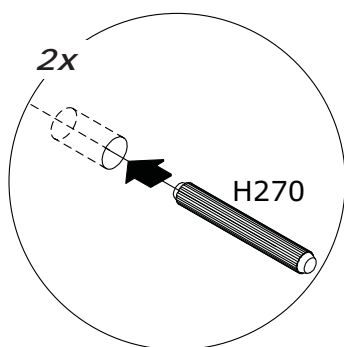
4



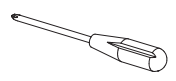
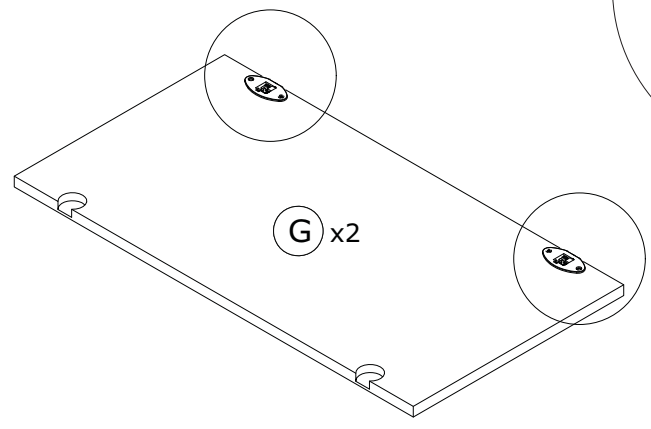
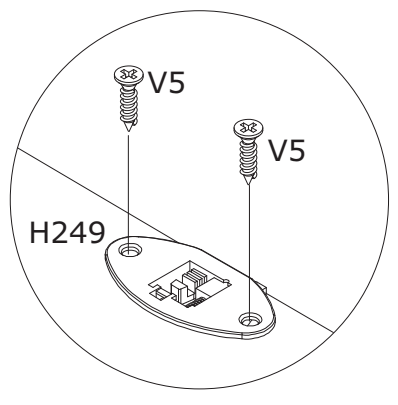
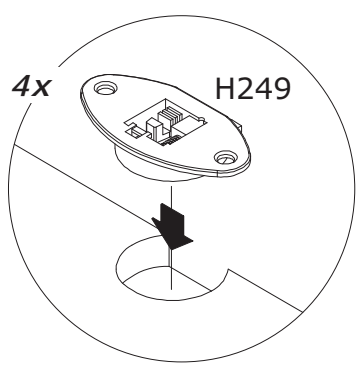
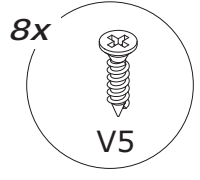
5



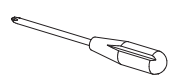
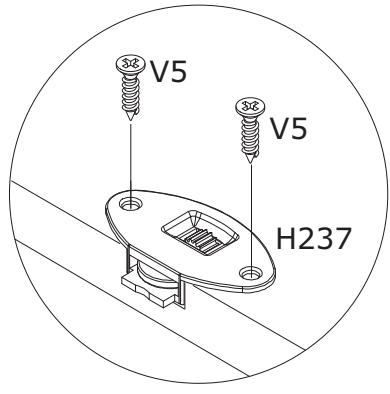
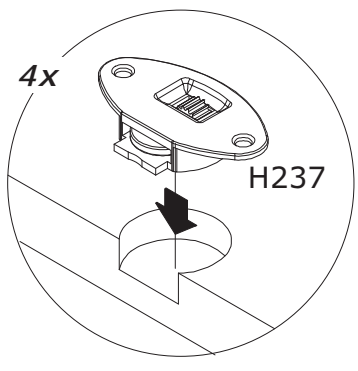
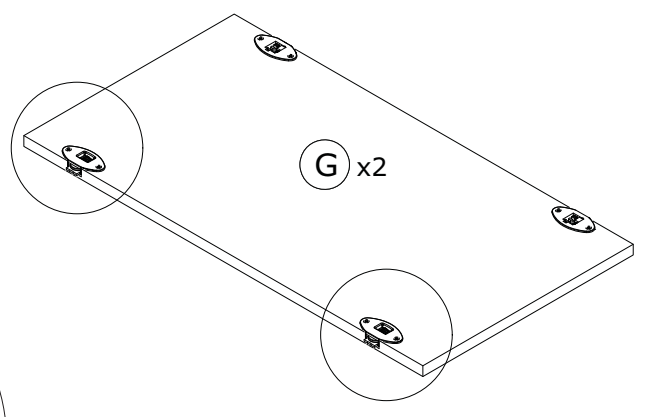
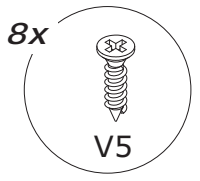
6



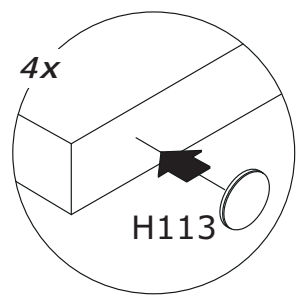
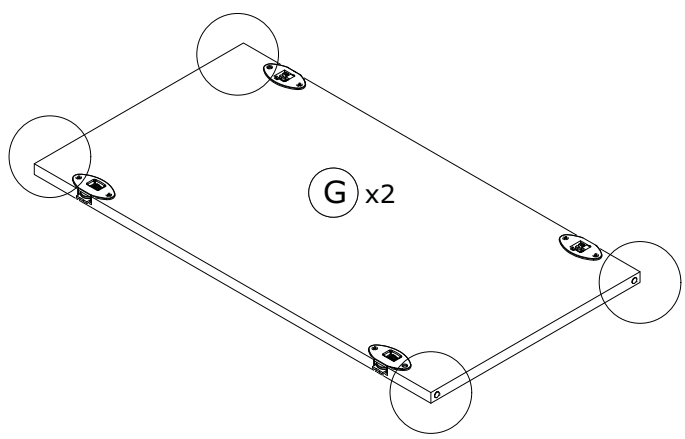
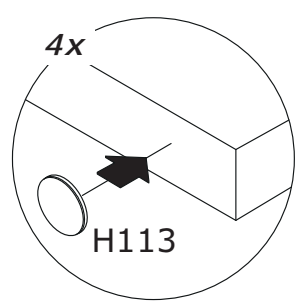
7



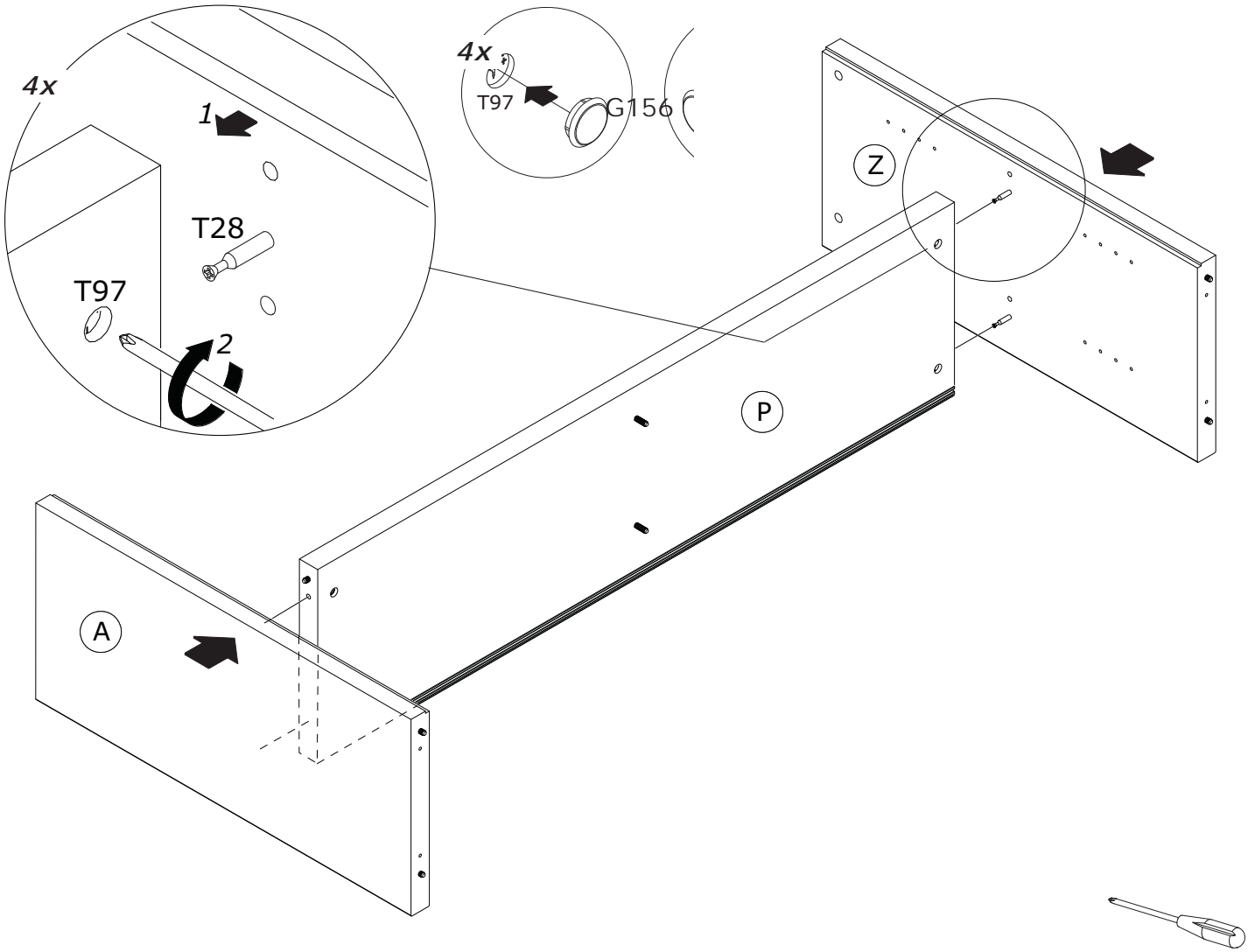
8



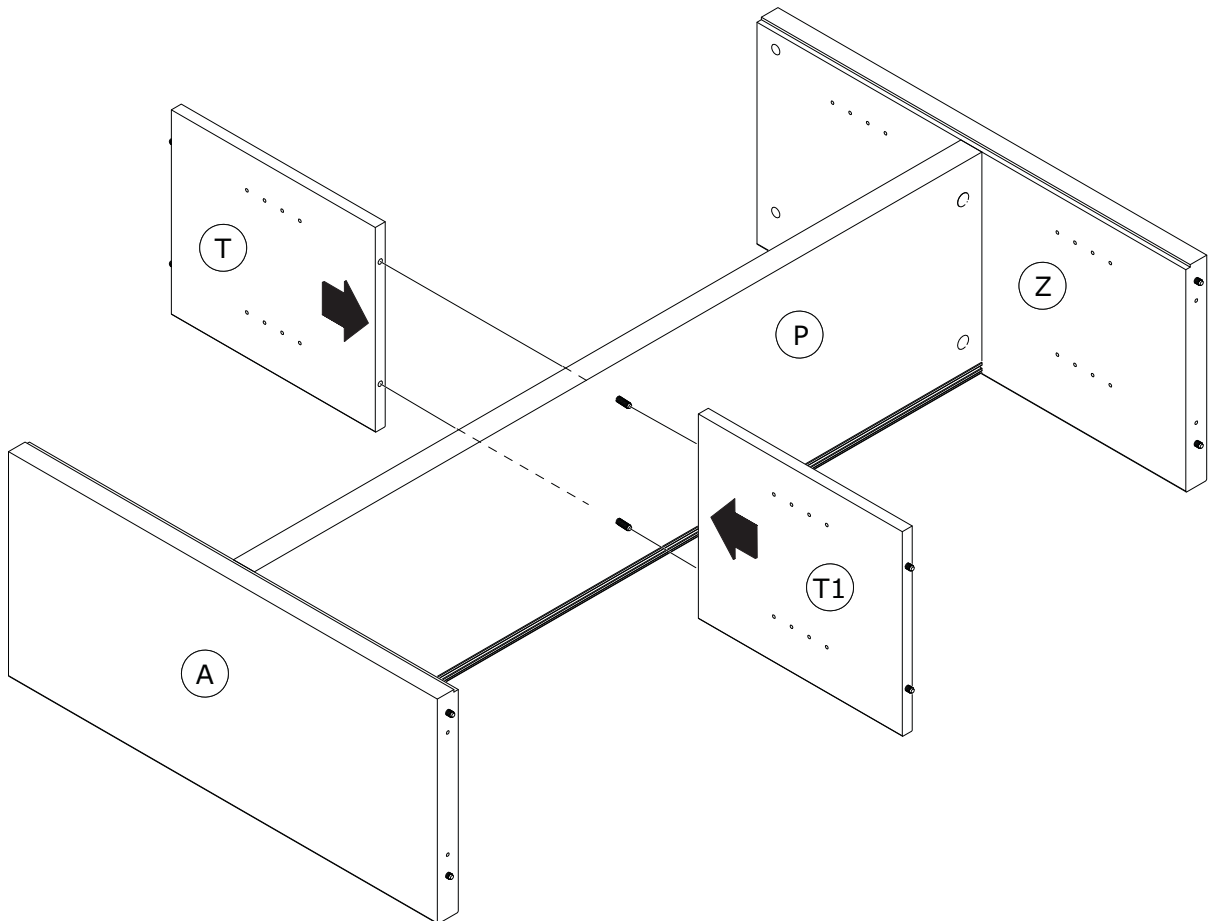
9



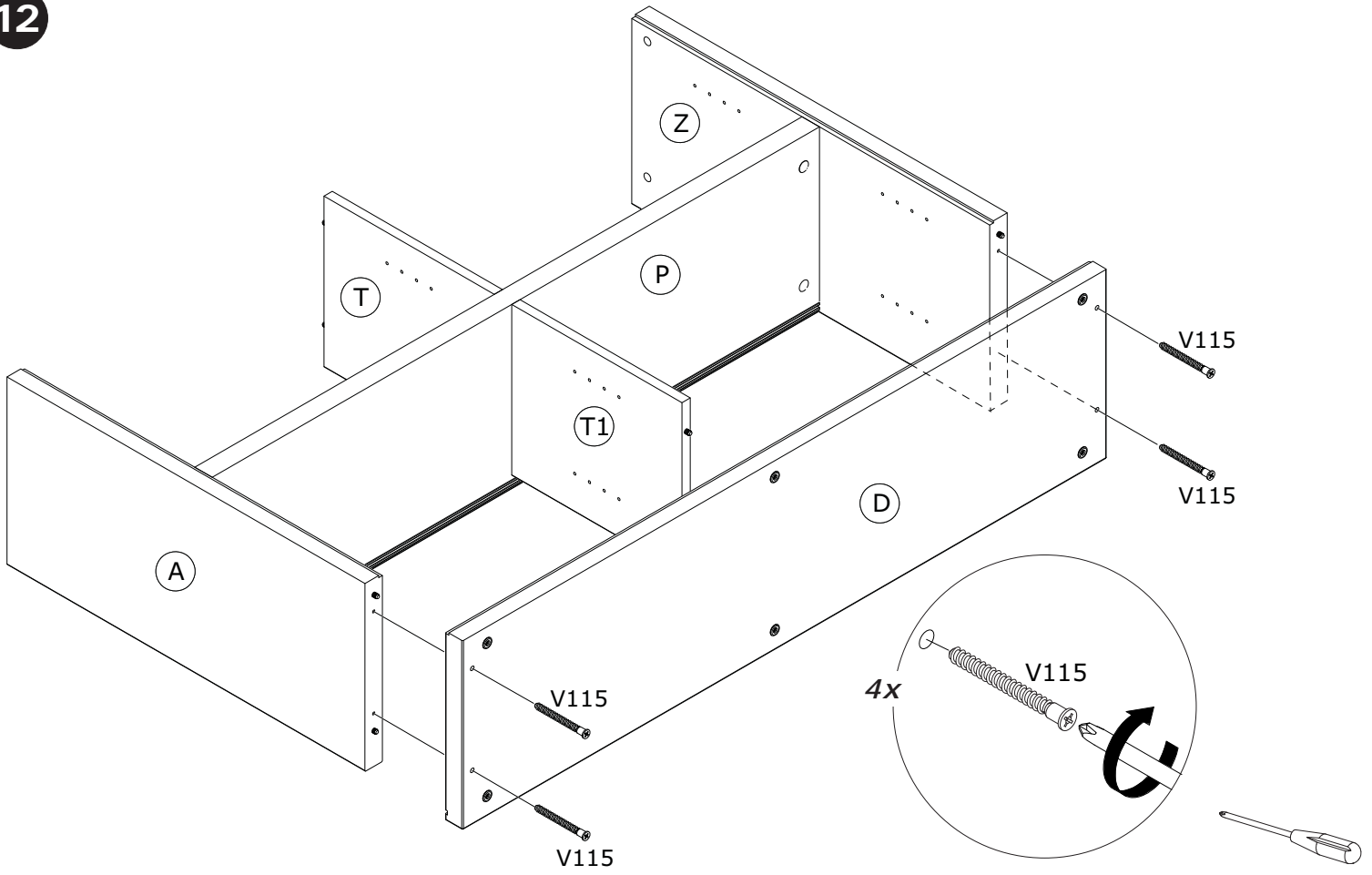
10



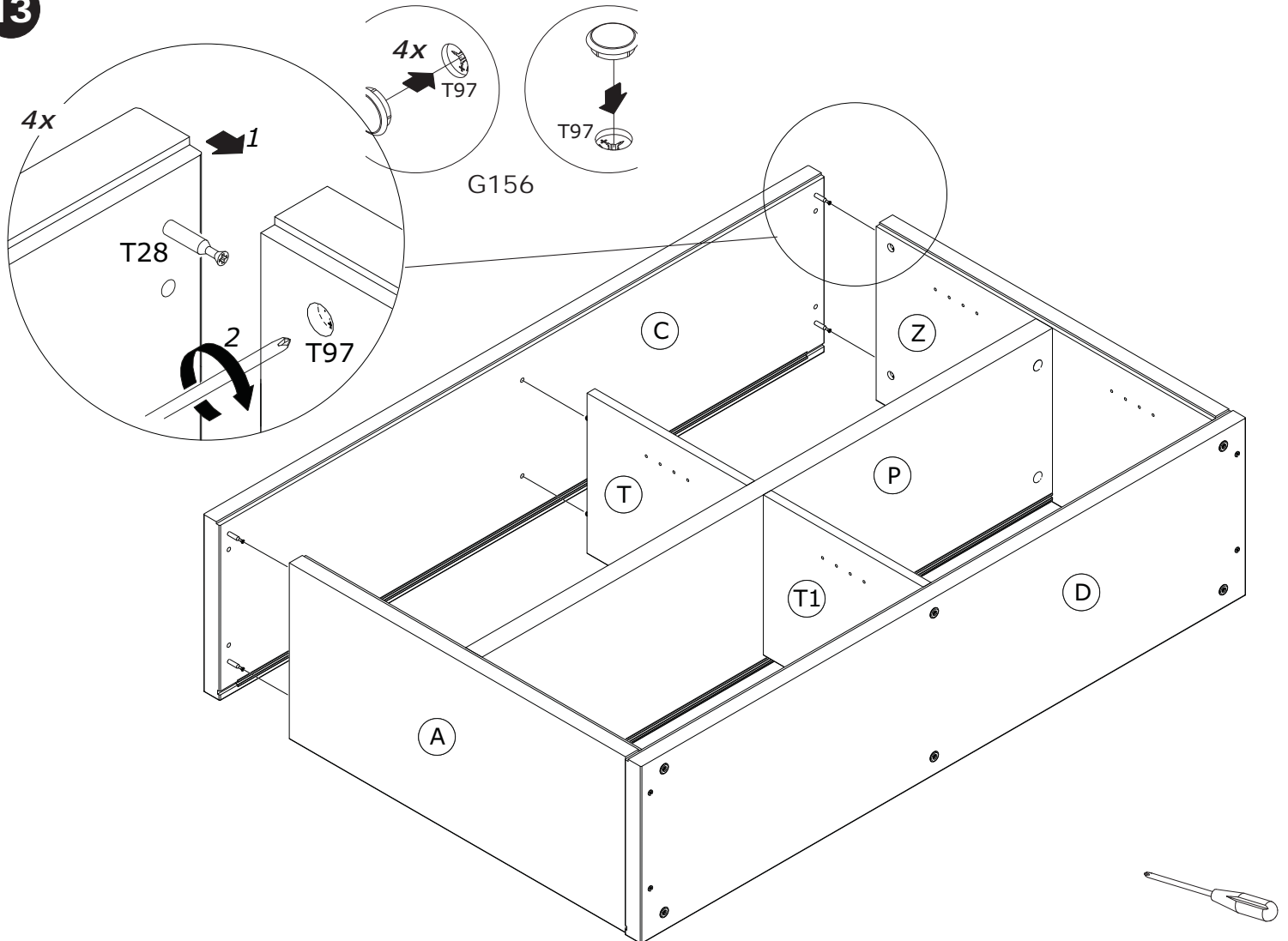
11



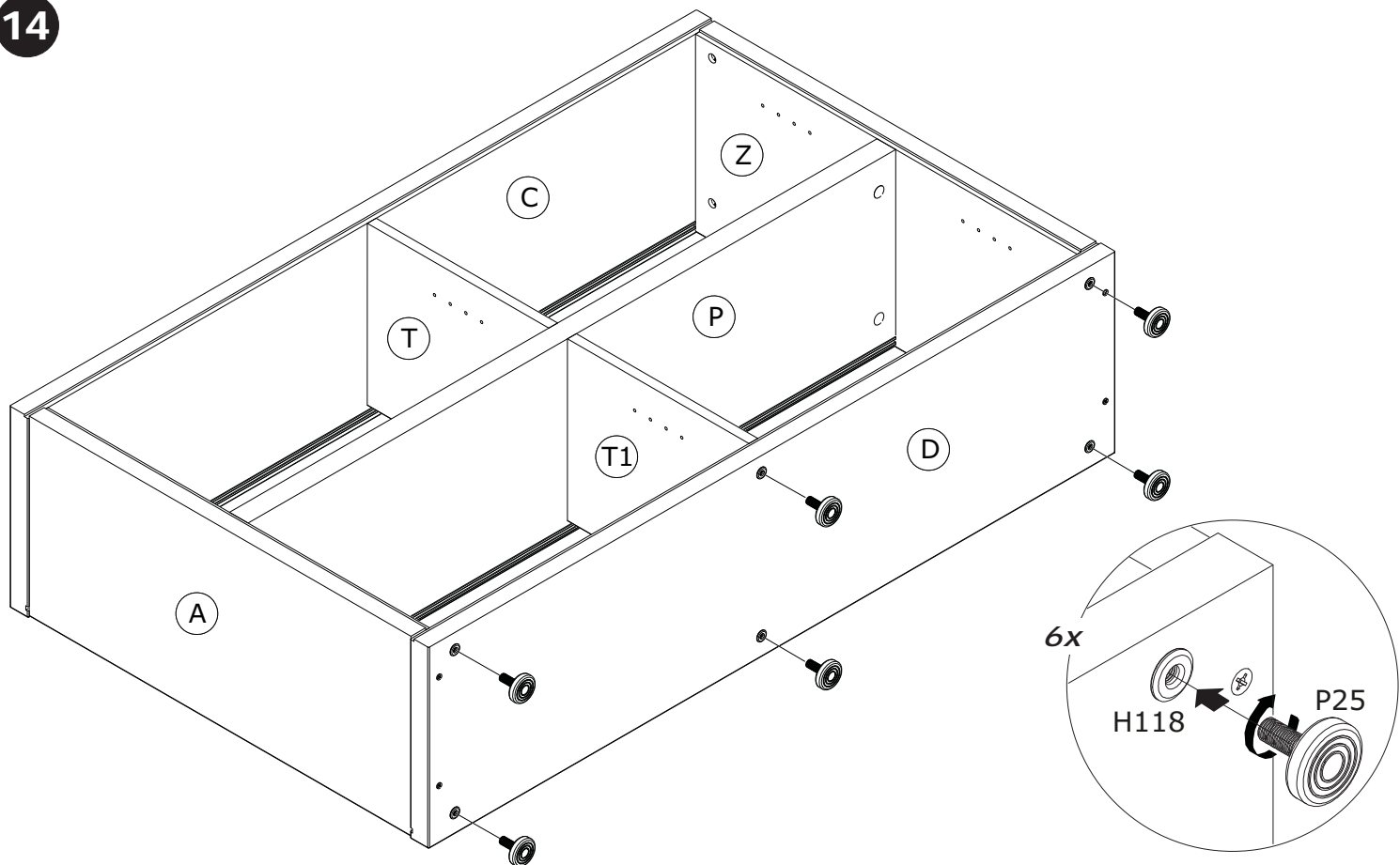
12



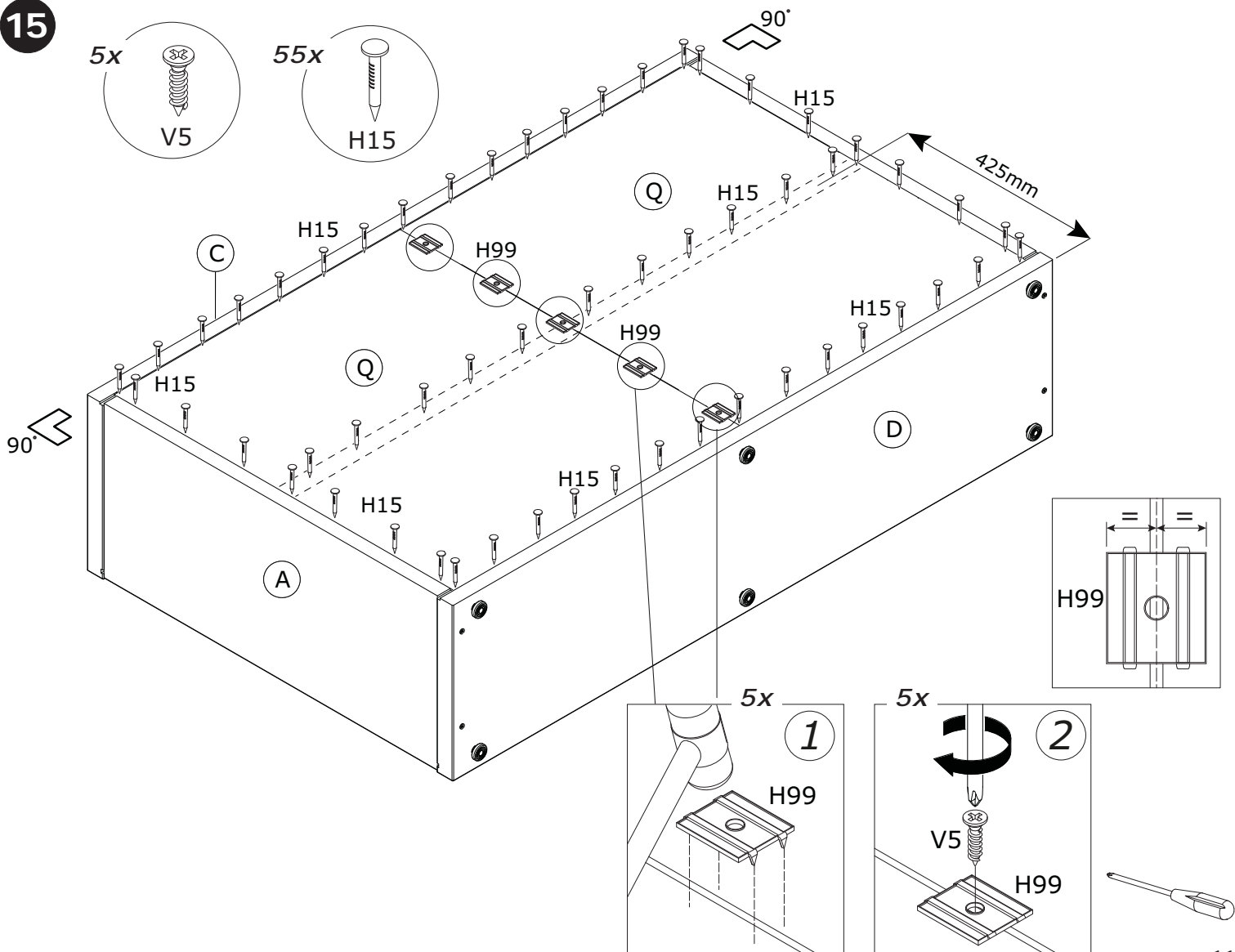
13



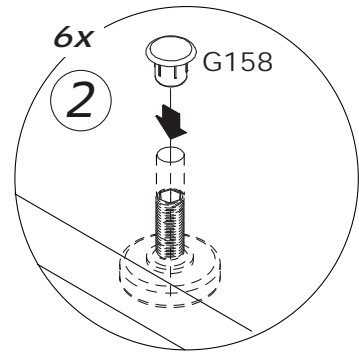
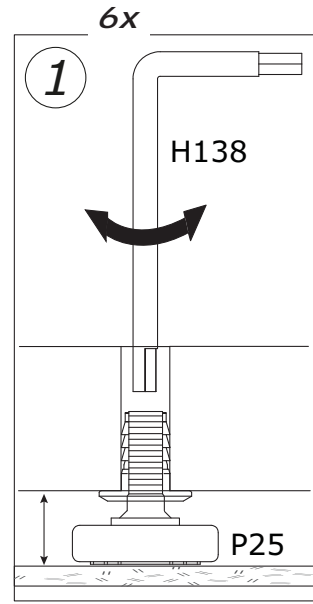
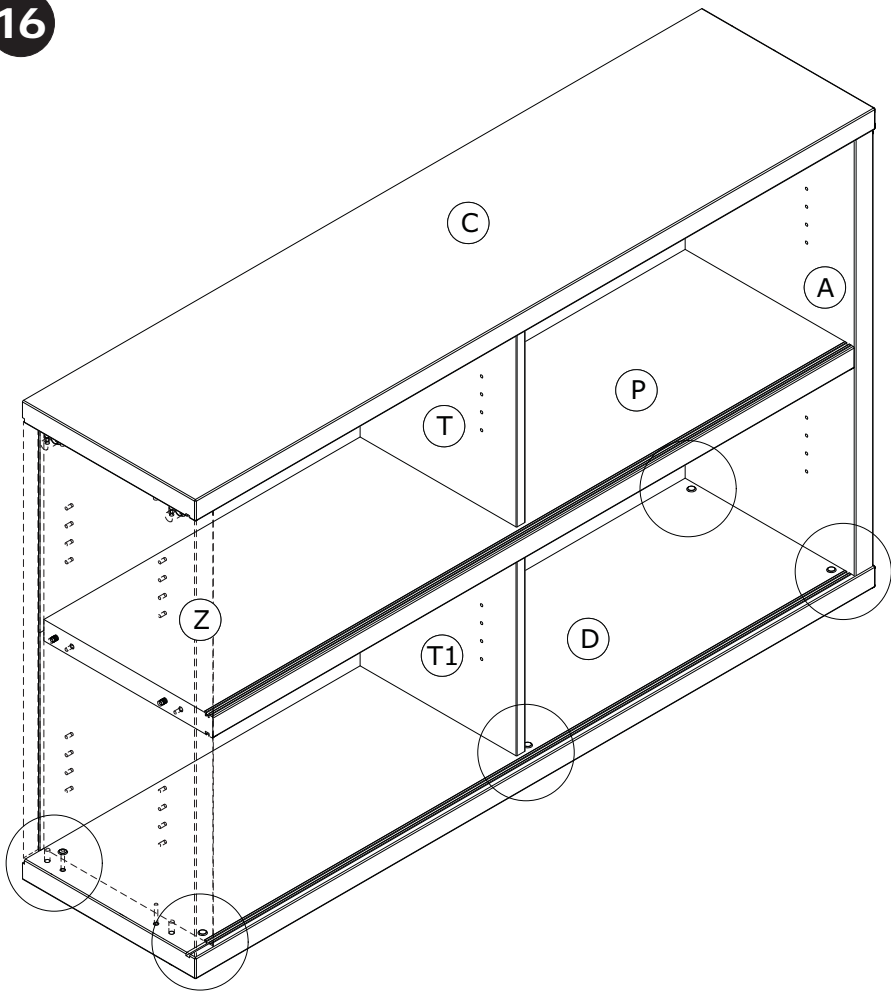
14



15



16



17

