

展开尺寸: 297x210mm
 折叠尺寸: 148.5x210mm
 157g铜版纸,

正面

Rustproof & Anti-Corrosion Material

Upgraded galvanized steel which is rustproof and safe for soil and plants.

Premium Quality

The Reinforced steel and corner connectors promise the stable structure and long-lasting durability. The wave design provide better pressure resistance.

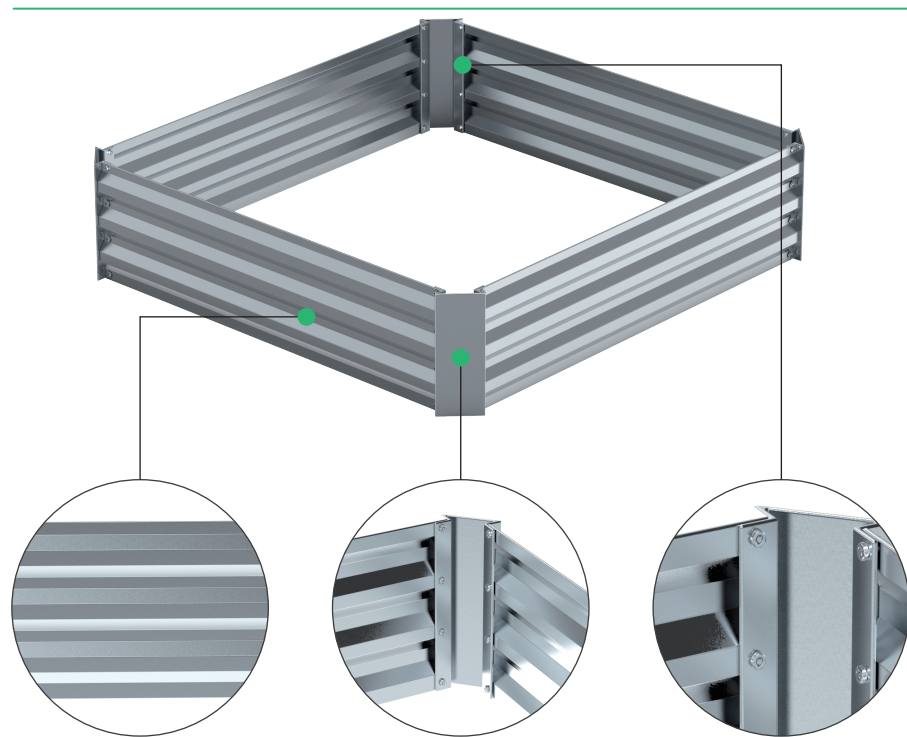
Easy Setup

Simple structure without complex design, you just need connect the six steel sheets by screws which can be finished less than half an hour.

No Bottom Design

The open-bottom design helps release the excess water to deep soil and allows the roots of crops to grow freely.

DETAIL



Galvanized Raised Garden Beds

8x4x2FT



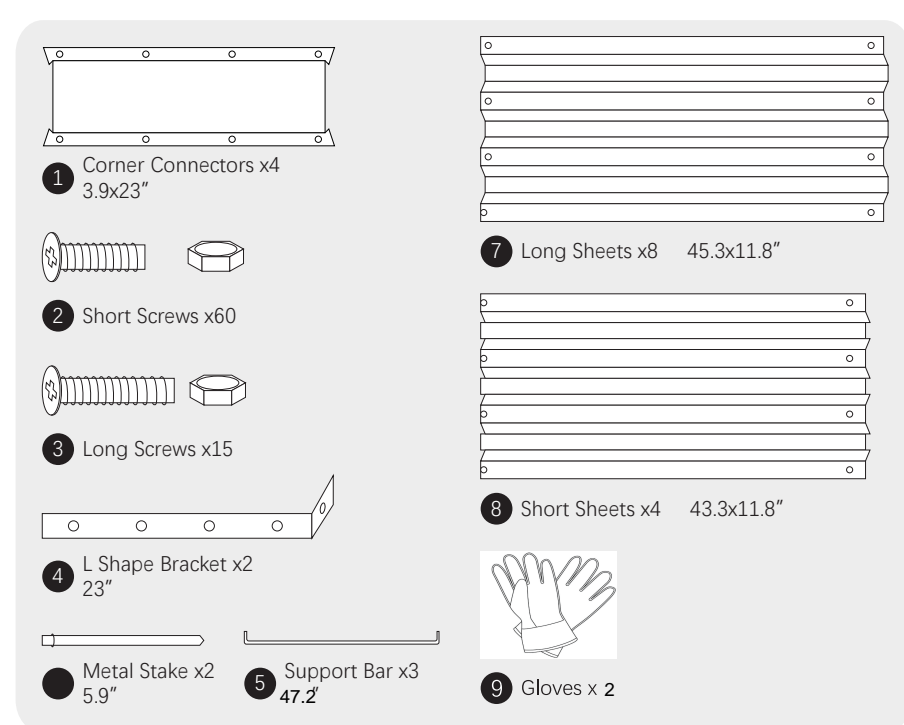
Please read the manual carefully before the assembly



It's recommended to wear gloves whilst assembling to avoid the accidental harm

反面

Package Content

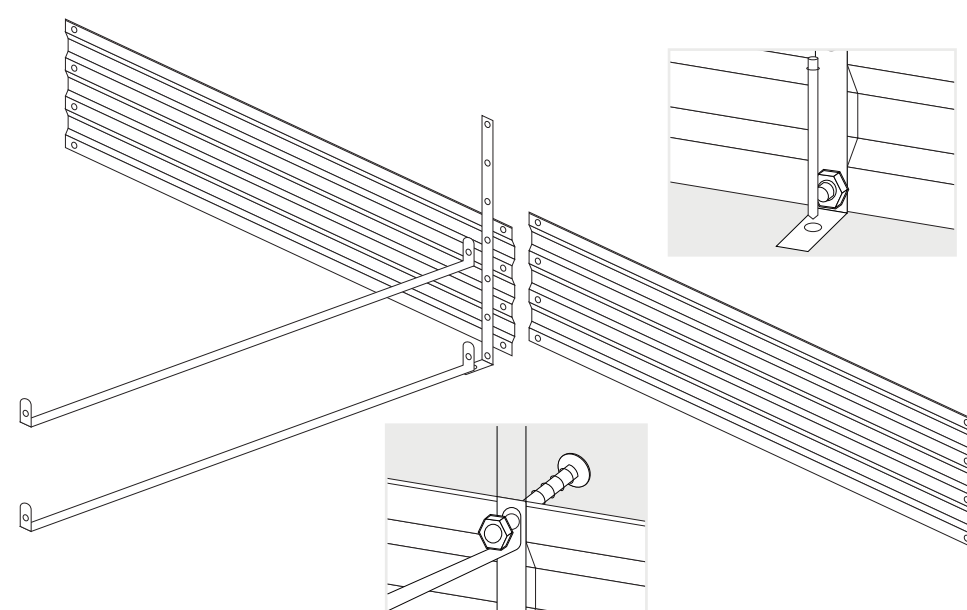


Technical Specifications

Dimensions: 94.4x47.2x23"
 Style: Rectangle
 Material: Galvanised Sheet
 Application: Suitable for home gardening, balcony vegetable garden

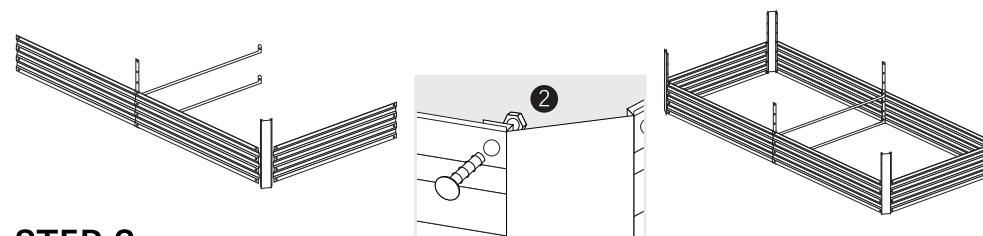
Features and Benefits

- Corrugated galvanized sheet elevated garden bed adds an industrial style decoration to your lawn.
- This elevated garden bed is ideal for displaying your herbs, flowering plants or some homegrown vegetables.
- Prevent soil erosion and weeds to ensure plant health.
- The raised pattern also prevents pests and reduces care and maintenance.
- Corrosion resistance, water saving and drought resistance, firm and durable without deformation, beautiful shape



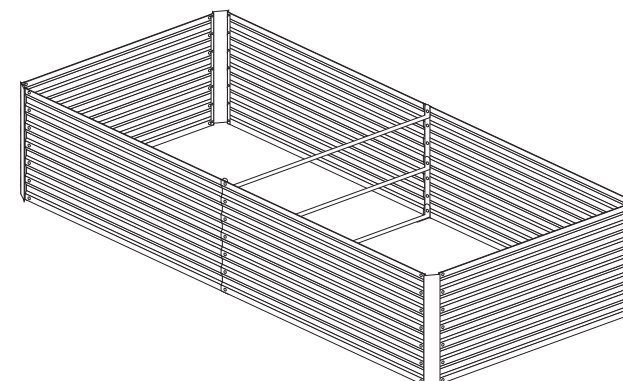
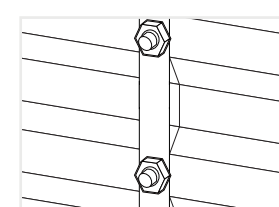
STEP 1

Line up the holes of the two **Long Sheets** with those on **L Shape Brackets** and **Support Bars**. Then use the **Long Screws** to connect them and drive in the **Metal Stakes** to make them stand on the ground. Repeat the procedure again to finish the other side.



STEP 2

Line the holes of the **Corner Connector** up with those of the **Long Sheet** and the **Short Sheet**, then use **Short Screws** to connect them. Repeat the procedure again to finish other sides.



STEP 3

Finish the installation.