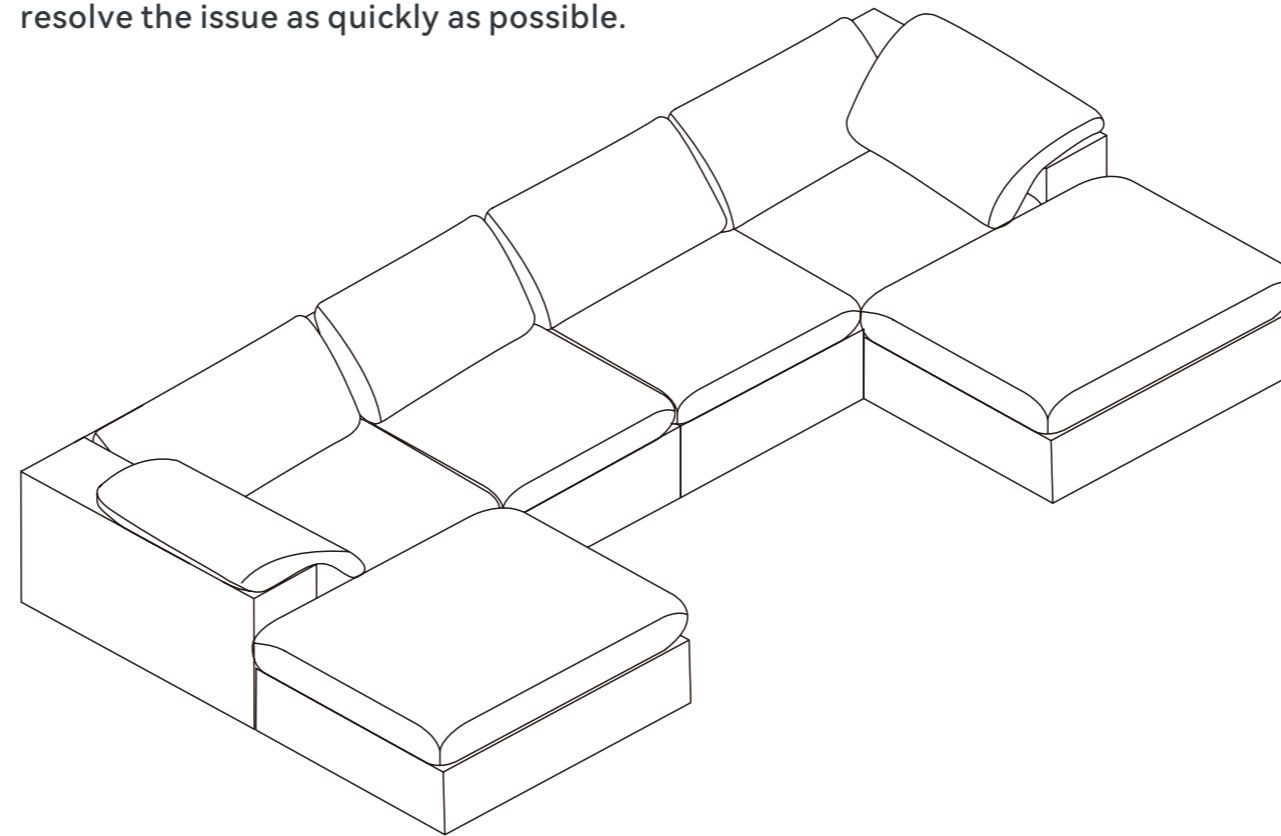


Sofa

Assembly Instruction – Please keep properly for future reference.

If you find any missing boxes, damaged parts, or accessory shortages, please contact the customer service team of your purchasing channel immediately. We will resolve the issue as quickly as possible.



THE FOLLOWING INFORMATION:

- Order number
- Purchase platform
- Purchase date
- Detailed description of the issue along with photos (if applicable)

Important – Please read these instructions carefully before starting the installation.

| Sofa

Before Assembly



Thank you for choosing our product!

To ensure a smooth installation process, please read this guide carefully to familiarize yourself with the required tools, materials, and installation steps.

Follow the relevant sections to avoid any damage caused by improper installation, and make sure to review all operation and safety guidelines for correct installation procedures.

Packaging Notice:

1. Multi-Box Shipping Notice

This product is packaged in 3 separate boxes for shipping and may arrive in batches at different times. To ensure a smooth assembly process, please make sure all boxes are received before unpacking and starting the installation.

2. Box and Packaging Verification

Each box is labeled with a corresponding number. Please refer to the packing list on the next page of this manual to verify that all boxes have been received.

If you find any missing boxes, damaged parts, or accessory shortages, please contact the customer service team of your purchasing channel immediately. We will resolve the issue as quickly as possible.

Installation Information

- All information in this guide is based on the product's condition at the time of printing. We reserve the right to modify product features, packaging, or availability without prior notice.
- Before installing the furniture, ensure that all necessary electrical or environmental preparations are completed.
- This manual contains important instructions on installation, cleaning, and maintenance. Please read it thoroughly and keep it for future reference.

Pre-Installation Checklist

1. Carefully inspect the new product for any damage or defects.
2. Ensure installation is carried out on a clean, flat surface to maintain balance and stability.

3. Avoid prolonged exposure of the product to damp environments or direct sunlight.
4. Handle with care during installation. Use protective materials (e.g., soft pads) to prevent scratches.
5. For any questions or technical support, refer to the customer service guide and contact the seller's customer service.

Usage and Maintenance Recommendations

1. Clean furniture regularly to maintain hygiene and prevent bacteria growth. Use a damp cloth that has been wrung out to avoid scratching the finish.
2. Avoid contact with acidic or alkaline corrosive liquids.
3. Do not use unauthorized replacement parts. For replacement parts, contact the manufacturer or distributor.
4. Do not machine wash or rinse any part of this product with water.



Safety Warnings

1. Warning Labels:

Do not remove warning labels on the product or packaging, and always follow the related instructions.

2. Regular Inspections:

Regularly check all parts of the product to ensure they are correctly installed, undamaged, and all connectors are securely tightened.

3. Safe Use:

Do not play on or under the sofa, and strictly avoid jumping or any actions that may harm the sofa or users.

4. Rope Hazard:

Do not attach ropes, hooks, straps, or other unintended items to any part of the product.

5. Guide Preservation:

Retain this manual for future reference.

6. Supervisory Responsibility:

Safety is a shared responsibility between the manufacturer and the user. Always adhere to safety guidelines when using the product.

Disclaimer

We are committed to providing safe and reliable products. If you have any questions about this product or require additional support, please contact our customer service team. We are here to assist you.

Customer Service Guide



Thank you for choosing our product! We are committed to providing you with excellent service. If you find any missing parts, damaged packaging, or product damage after receiving all packages, please follow the steps below to quickly contact our customer service team. We will do our best to resolve your issue.

1. Missing Parts

Verify Parts:

1. Refer to the “Parts List” in the manual to verify the name, specifications, and quantity of the missing parts.
2. Take a clear photo of the parts list and mark the missing parts with detailed information, e.g., “Missing 5 pieces of M6×30mm screws.”

Contact Us:**By Email:**

- A description of the missing parts and a photo of the parts list.
- Order details (order number, purchase platform, purchase date).

2. Product or Packaging Damage

If it affects normal use:**Steps:**

1. Take clear photos or videos showing the damaged parts and the extent of the damage (multi-angle shots are recommended).

Resolution:

After verification, we will arrange for a replacement part, product exchange, or refund as quickly as possible.

If it does not affect normal use:**Steps:**

Provide a description of the damage and include relevant photos or videos.

Resolution:

We will provide repair guidance or an appropriate compensation plan based on the specific situation.

Helpful Tips

To process your issue efficiently, please prepare the following information:

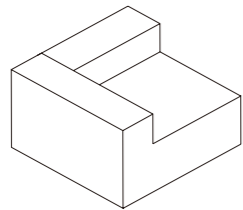
- Order details (order number, purchase platform, purchase date).
- Clear photos or videos.
- We are committed to providing quick and professional solutions, no matter the size of the issue, to ensure your satisfaction.

**Thank you for your trust and support!
We hope you enjoy using our product!**

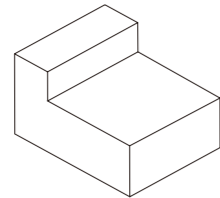
Parts List



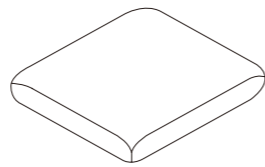
Box 1



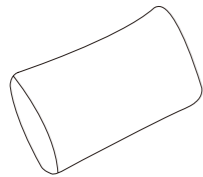
A x1



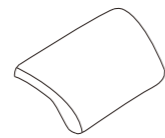
B x1



C x2

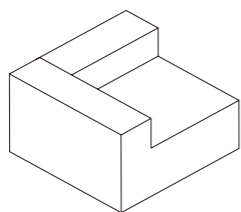


D x2

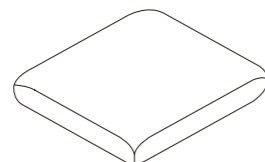


E x1

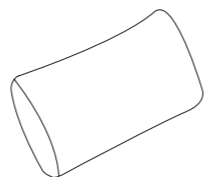
Box 2



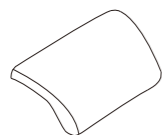
A x1



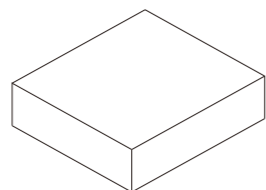
C x1



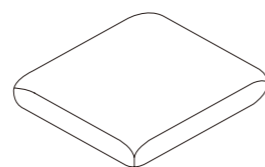
D x1



E x1

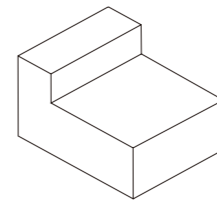


F x1

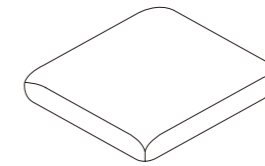


G x1

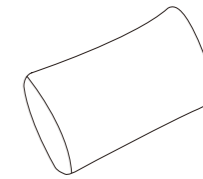
Box 3



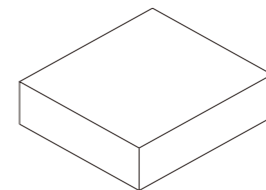
B x1



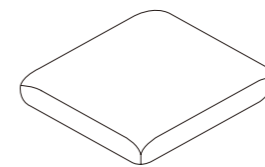
C x1



D x1



F x1



G x1

Safety and Care Advice



Important:

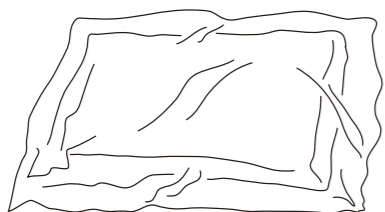
Please read these instructions fully before starting assembly.

Thanks for your purchase.

Before assembling, please follow the instructions to check if all the spare parts and screws are intact.

- Considering the size and weight of the sofa, we recommend two adults to assemble the sofa, on a carpeted or padded area, in the room that it is intended for. Approximate assembly time: 30 minutes.
- Please do not throw away any of the packaging or the instruction until all the components and hardware have been checked and the furniture is fully assembled. Please ensure that the packaging is disposed in a safe and environmentally friendly way.
- Keep all components and packaging out of reach of children or animals to avoid the risk of choking or suffocation.
- Please do not take off the cover, and do not wash.

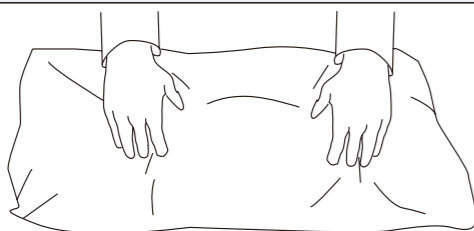
Your cushions come vacuum packed and sealed for shipping. To restore the cushion's original shape, follow the steps below.



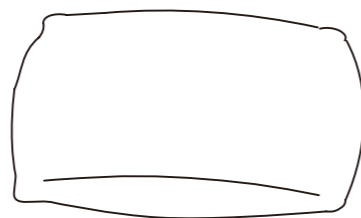
Open the vacuum bag carefully.



Press and tap with both hands from the side to fully inhale air.



Press and tap with both hands from the front to fully inflate.



Carefully smooth out each section until the surface is even.

After packing up, place them somewhere dry and ventilated.

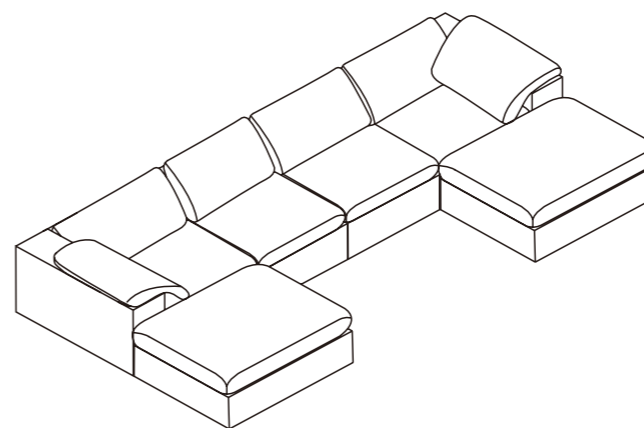
After about 72-96 hours, it can be restored to the best-use condition.



Assembly Instructions



Important : Please read these instructions fully before starting assembly.



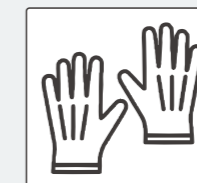
Note :

Delivered with **THREE PACKAGES** with **THREE TRACKINGS**, may **NOT** be delivered at the same time.

Before starting assembly, determine where the sofa will be placed and the orientation you want it to be.



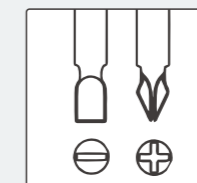
2 people needed



Work gloves



Tape measure



Other Tools Required
Phillips Screwdriver
(Not Included)

Simple Assembly Steps

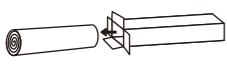


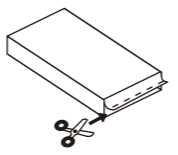
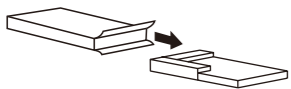
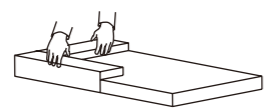
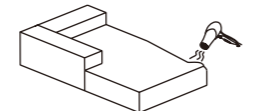
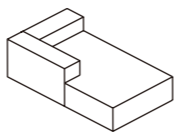
1. Read the manual carefully.
2. Check all parts and hardware.
3. Prepare necessary tools.
4. Have at least two adults for assembly.

Please follow the instructions and use a sanitary napkin to protect the product during your assembly process.

Note:

1. The assembly should be done on a flat surface to maintain balance.
 2. Do not tighten the screws before the assembly is complete.
- To make the assembly process easier and better, two or more adults are needed.

Unpacking Instructions

<p>1</p>  <p>Remove from box</p>	<p>2</p>  <p>Cut outer white wrapper</p>	<p>3</p>  <p>Unroll the mattress</p>	<p>4</p>  <p>Remove plastic</p>
<p>5</p>  <p>Take out the sofa</p>	<p>6</p>  <p>Pat the edge</p>	<p>7</p>  <p>Or use a hair dryer to speed up the recovery</p>	<p>8</p>  <p>Place the sofa in a ventilated area</p>

Note: The illustration is for reference only; please refer to the actual product for the exact appearance.

1. Open Carefully

Use scissors to cut open the outer box. Do not use a knife to avoid damaging the fabric.

2. Unwrap Compression Bags

Remove all components from their vacuum-sealed bags. Once the seal is broken, the sofa will begin expanding immediately.

Practical Tips for Sofa Rebound:

1. Hot Towel + Hair Dryer Method (For Localized Depressions)

Place a hot towel over the area that hasn't rebounded for a few minutes, then use a hair dryer to blow warm air on it (keep a distance of over 10 cm) to accelerate the rebound.

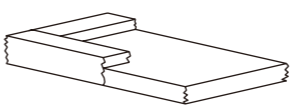
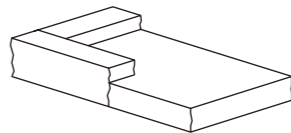
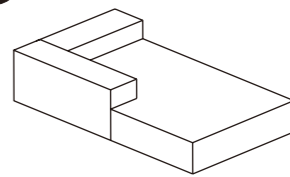
Principle: Heat activates the elastic molecules in the foam, helping air return quickly.

2. Flipping + Even Patting Method

Flip the sofa cushion, seat, or backrest over, then pat each area evenly.

Principle: This prevents weight from being concentrated in one direction, which can cause uneven rebound.

Maintenance Guide for Fully Compressed Sofa

<p>1 90%</p>  <p>After opening the package, the sofa can recover to 90%</p>	<p>2 95%</p>  <p>After 24 hours, the sofa can recover to 95%</p>	<p>3 Fully</p>  <p>After 24 hours to 1 week, the sofa will fully recover</p>
---	--	--

First unpacking and post-care suggestions

1. After unboxing, unfold the sofa immediately

Avoid prolonged compression that may cause permanent deformation of the fabric or filling.

2. Rebound Time & Environmental Impact

Normally, the sofa will restore its original shape within 24–72 hours. The rebound speed may vary slightly due to temperature and humidity.

3. Tips to Accelerate Rebound

Place the sofa in a well-ventilated and warm room;
Gently pat and knead different parts of the sofa to help the foam rebound faster;
Avoid placing heavy objects on the sofa during rebound.

Daily Use and Cleaning

1. Rotate cushions regularly

Helps maintain even shape and prolongs lifespan.

2. Cleaning Methods

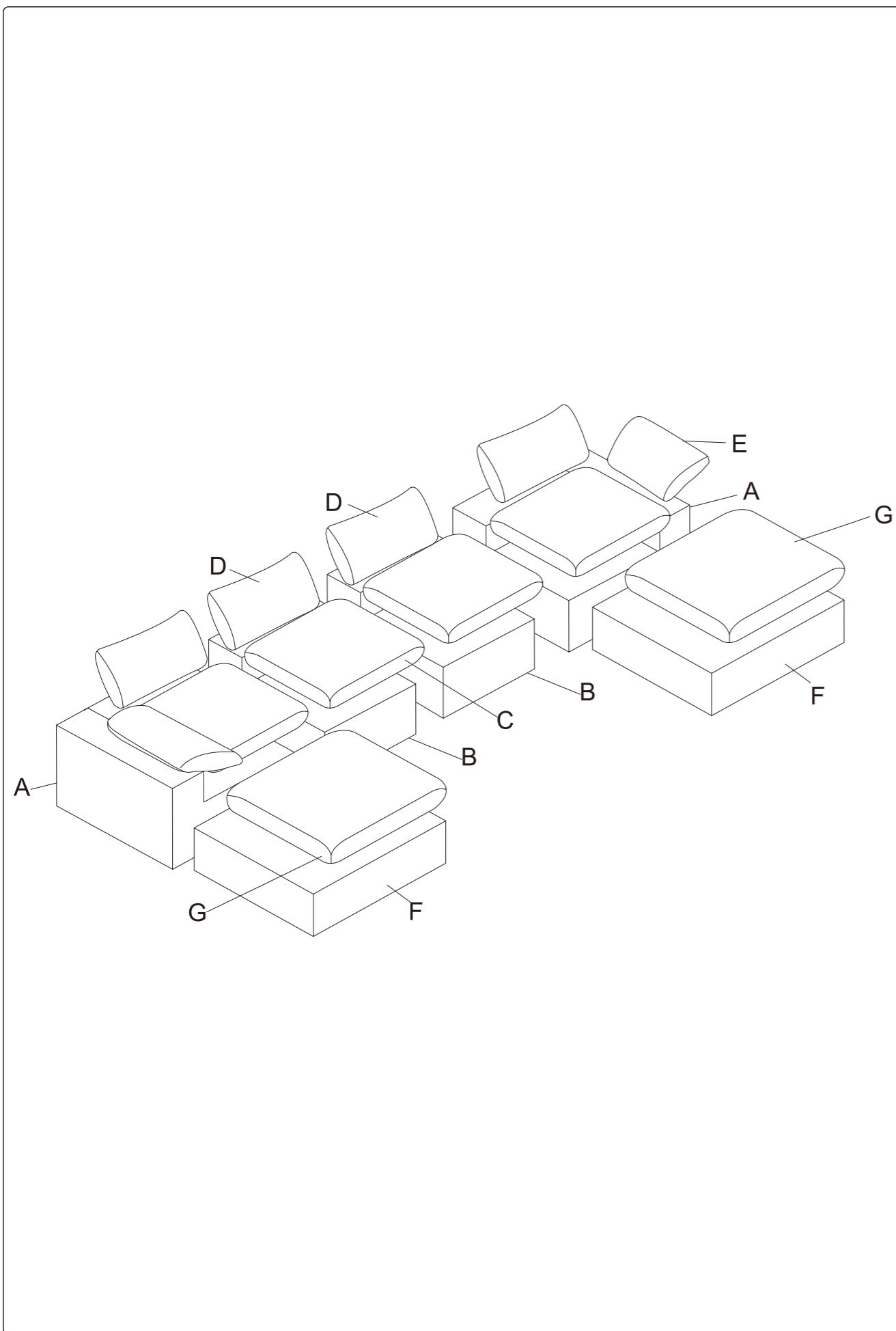
Fabric surface: Use a vacuum cleaner or damp cloth for regular cleaning;
For spot stains: Use mild detergent and gently wipe the area;
Do not use bleach or harsh chemicals.

3. Sun & Moisture Protection

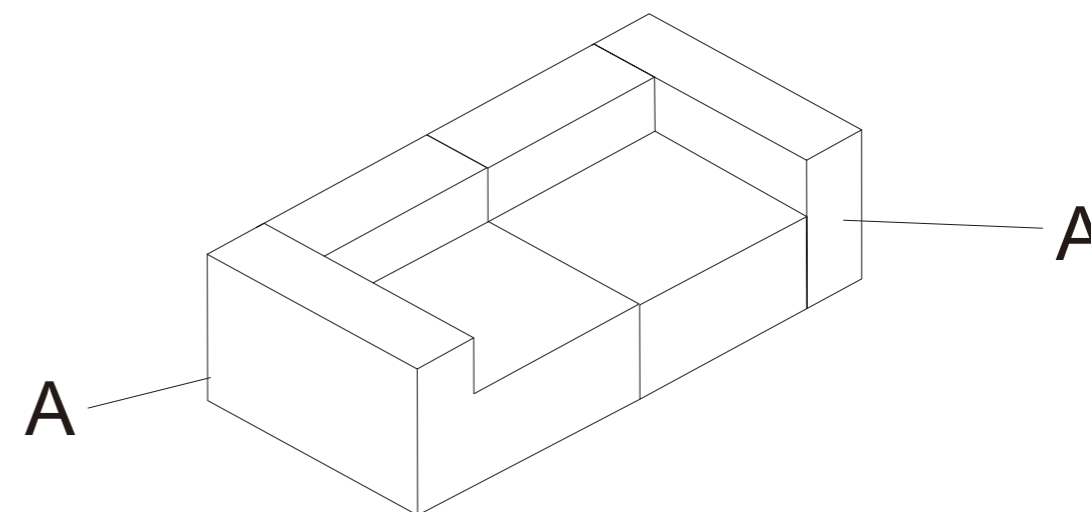
Avoid prolonged sun exposure or damp environments to prevent discoloration, mold, or deformation.

Warnings

1. This product is designed for indoor use only. Do not place it outdoors.
2. Avoid dragging forcefully during moving to prevent tears or seam damage.
3. For long-term storage, use the original packaging and store in a dry place.

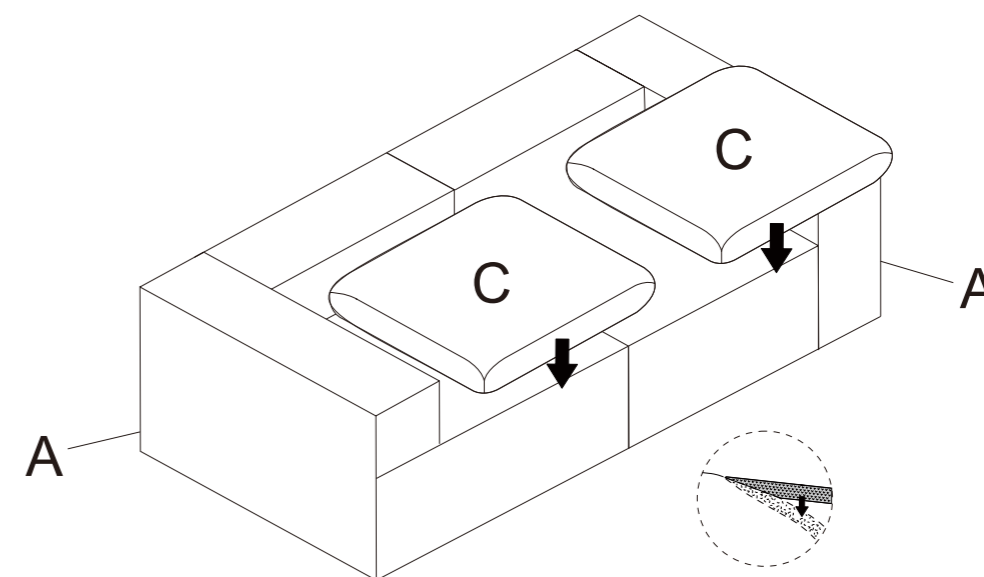


Step 1



Combine two parts (A) together.

Step 2

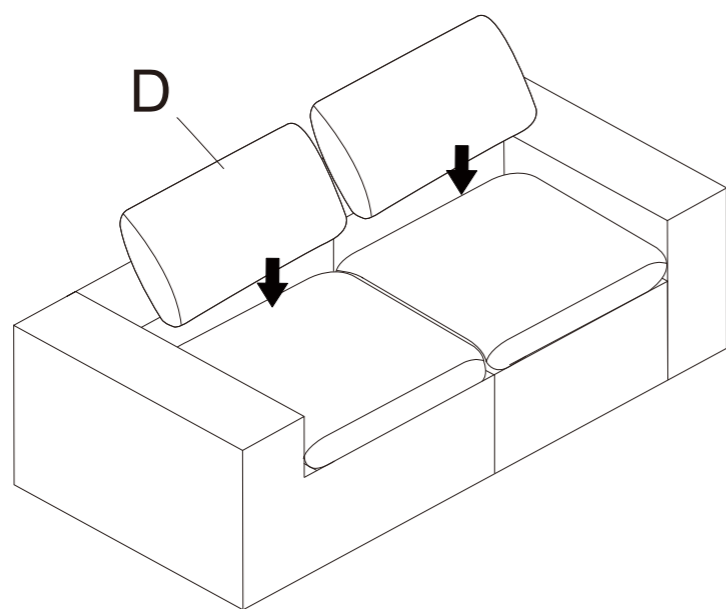


Use Nylon Fastener to secure it in place.

Place part (C) onto part (A) and attach the Nylon Fastener.

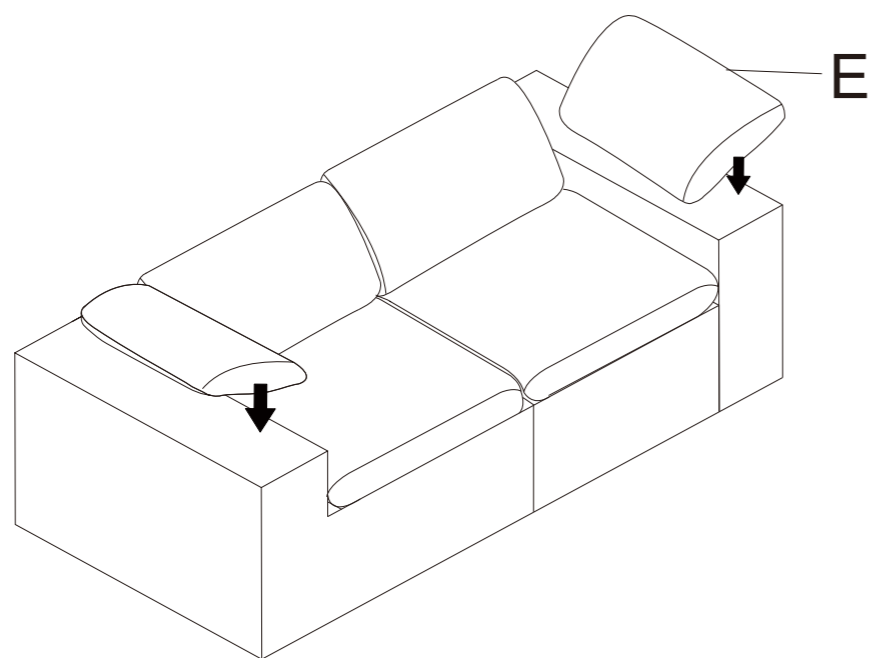
Note: Adjust the Nylon Fastener on the bottom.

Step 3



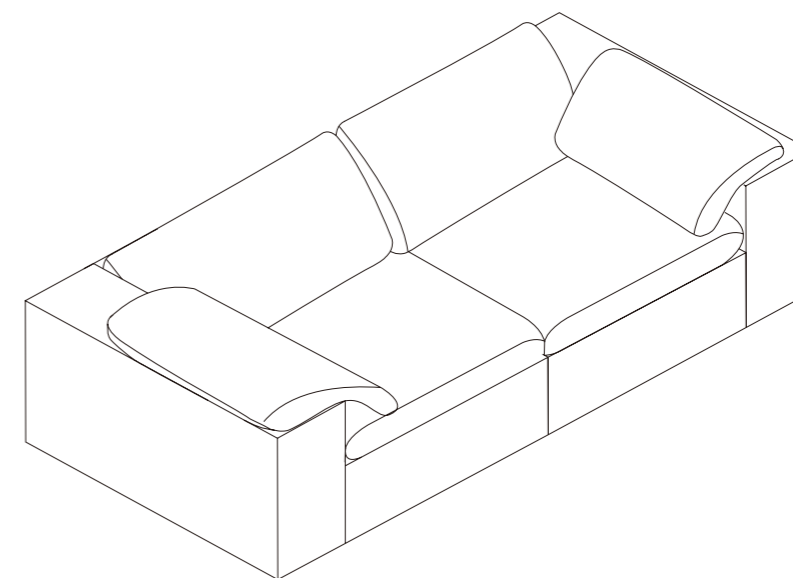
Insert part (D).

Step 4



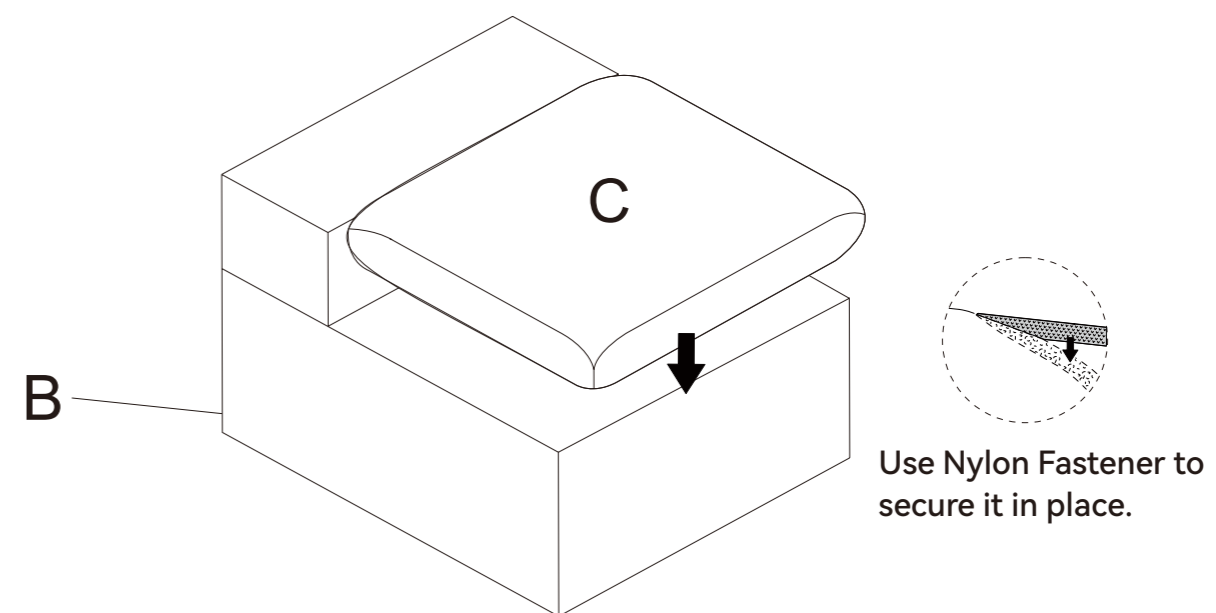
Insert part (E).

Step 5



Assembly complete.

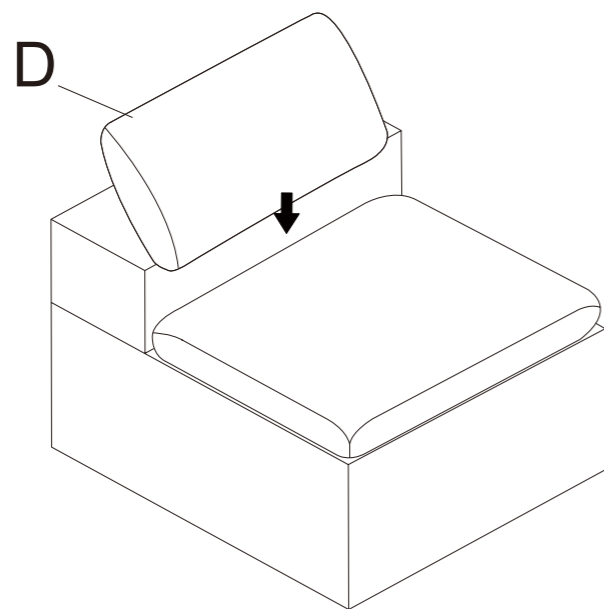
Step 6



Combine part (B) and part (C), and attach the Nylon Fastener.

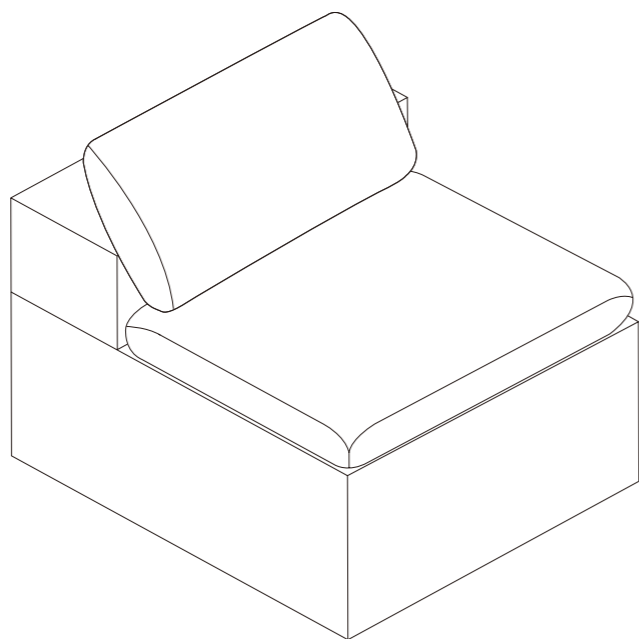
Note: Adjust the Nylon Fastener on the bottom.

Step 7



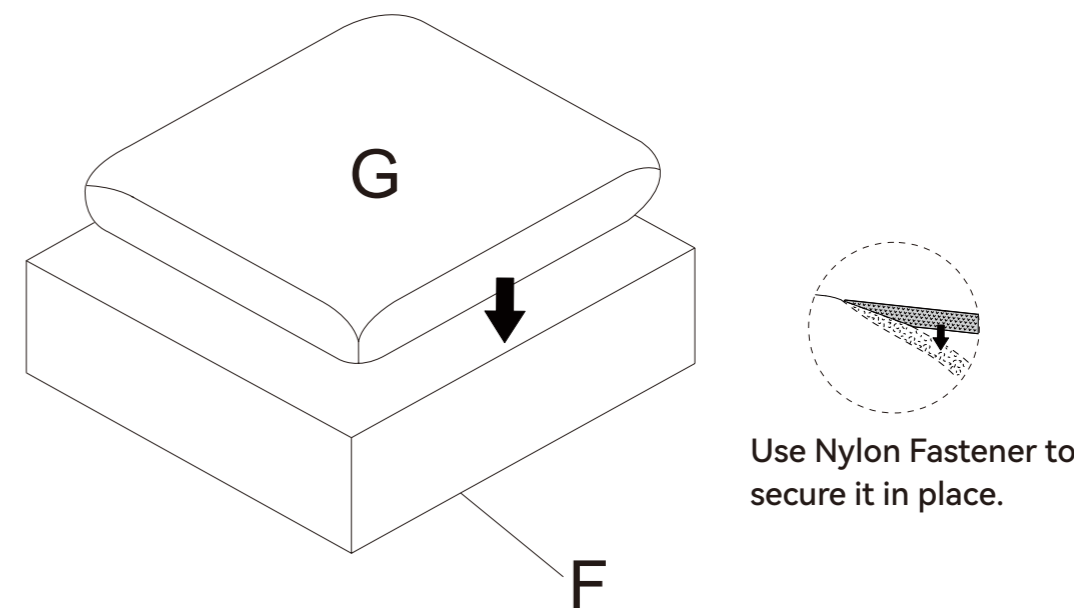
Insert part (D).

Step 8



Assembly complete.

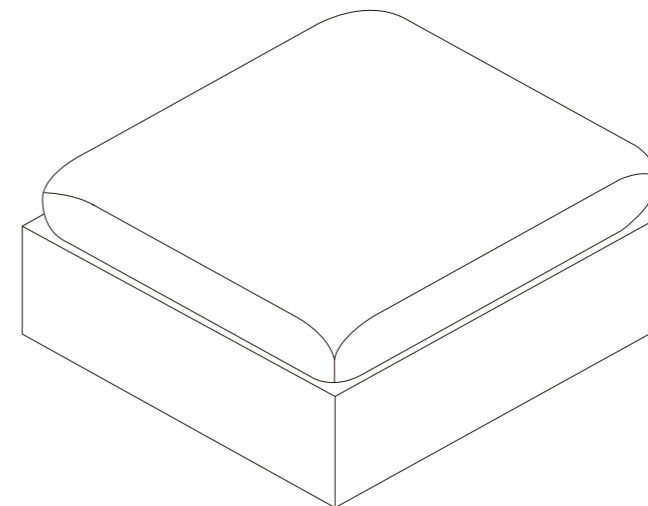
Step 9



Combine part (G) and part (F), and attach the Nylon Fastener.

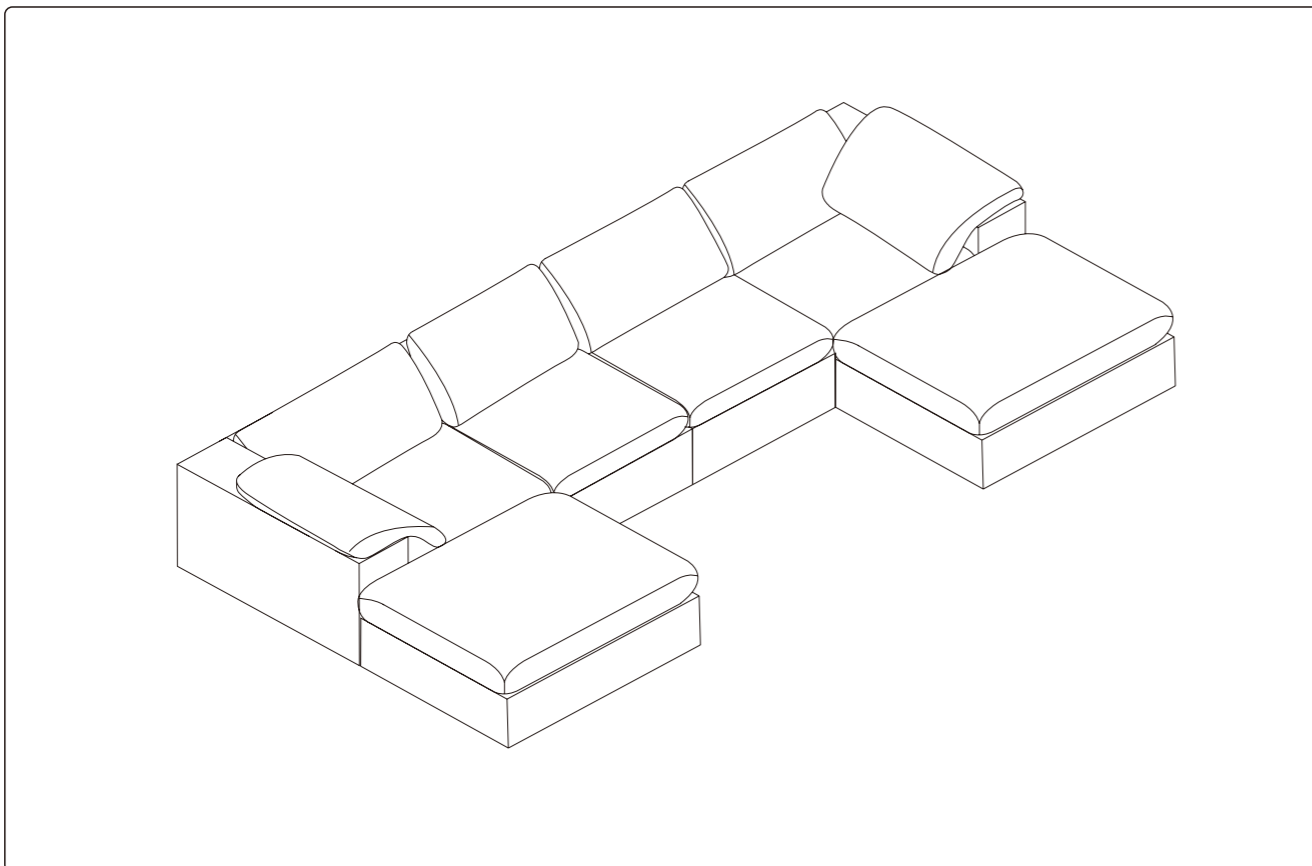
Note: Adjust the Nylon Fastener on the bottom.

Step 10

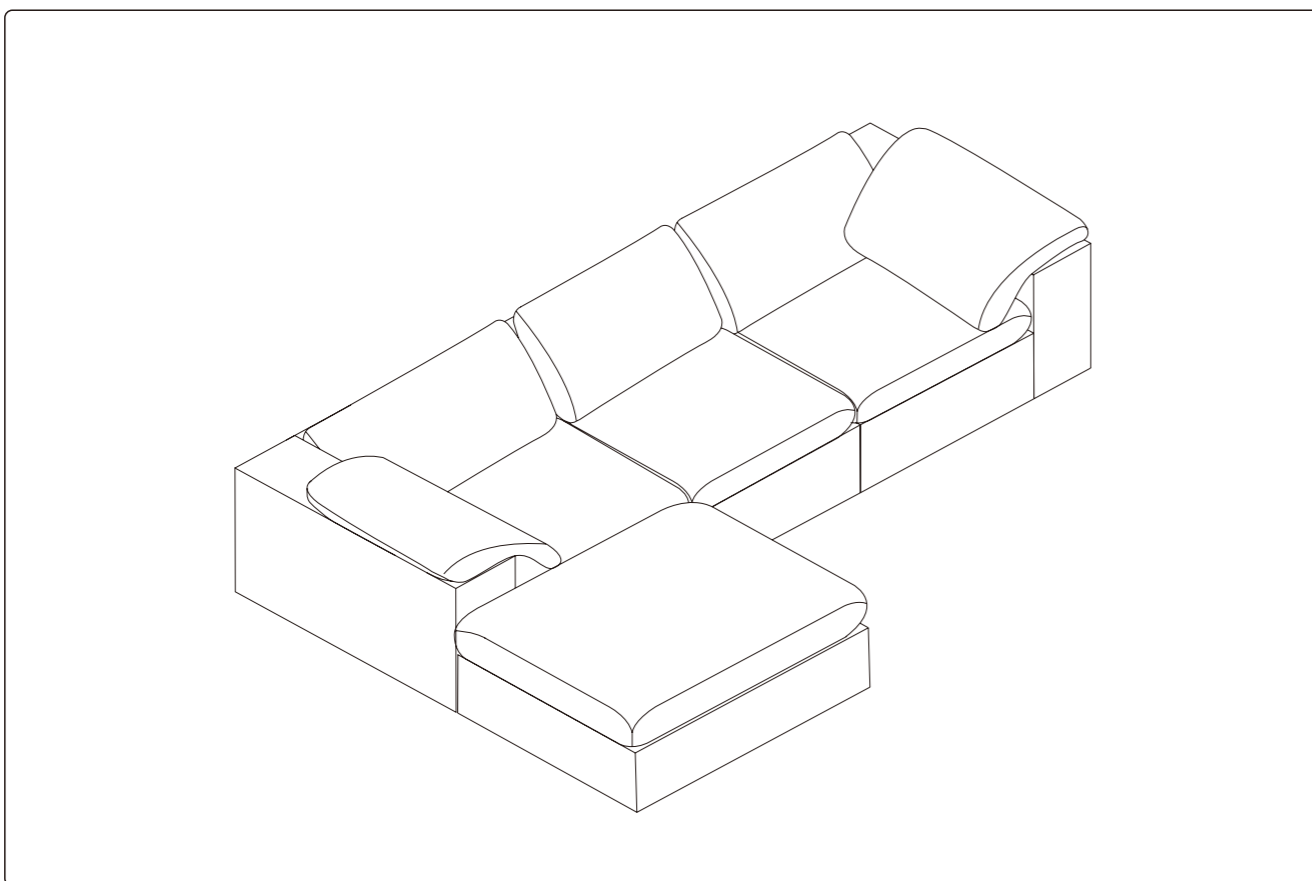


Assembly complete.

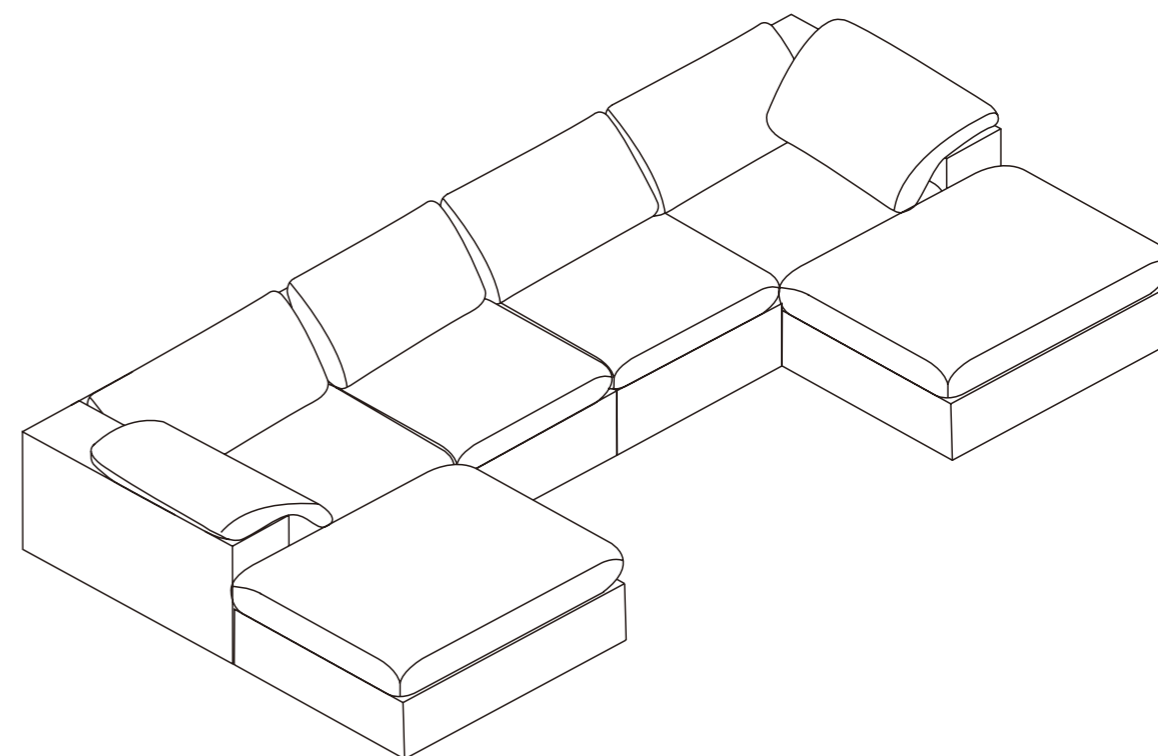
Assembly Illustration 1



Assembly Illustration 2



Maintenance

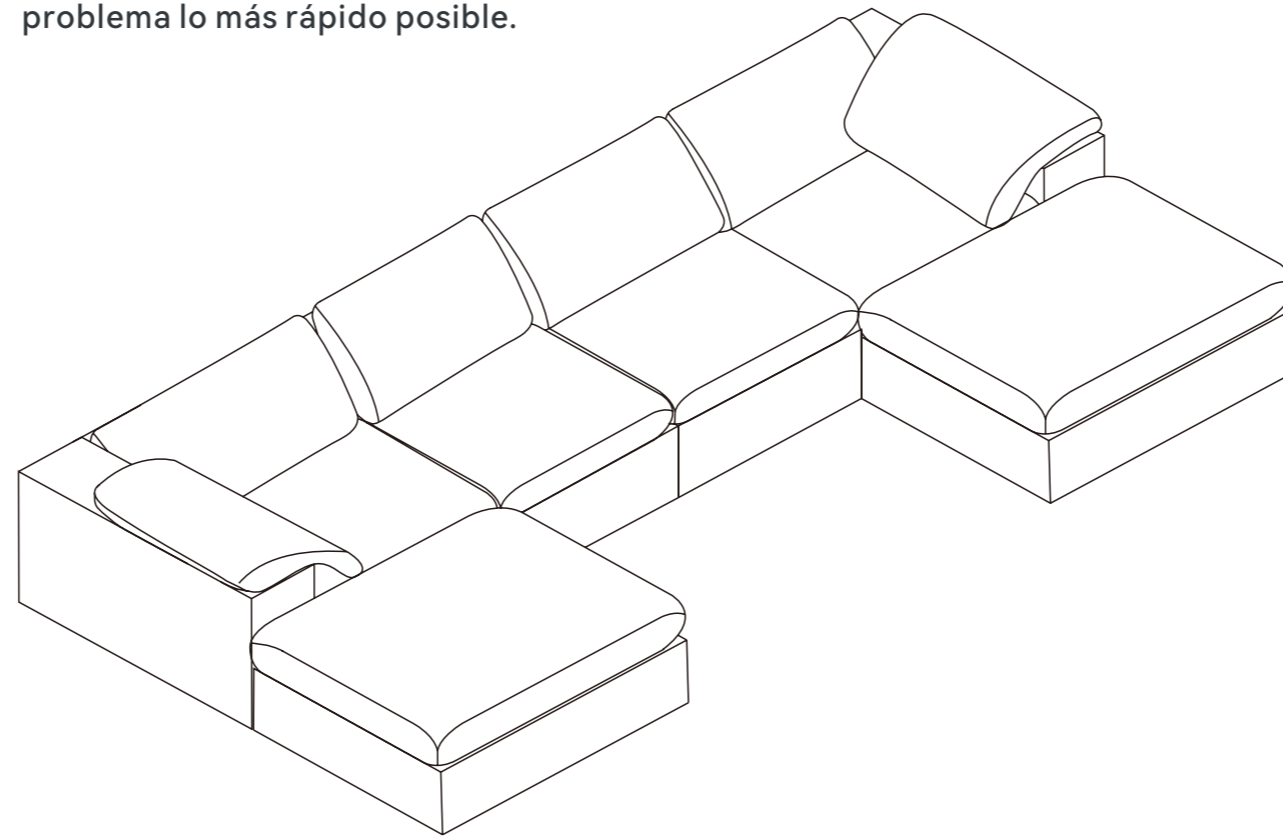


1. Keep a gap of 0.5-1 cm between the wall part of the sofa and the wall.
2. Avoid direct sunlight, preferably placed in a place that can avoid sunlight, or use translucent tulle curtains to block the sun.
3. Vacuum at least once a week, paying particular attention to removing dust accumulation between fabric structures.
4. Sofa cushions are turned over once a week to evenly distribute wear.
5. If stained, use a clean cloth dipped in water to wipe. In order to avoid leaving marks, it is best to wipe from the periphery of the stain. Velvet furniture should not be dipped in water and should use a dry cleaning agent.
6. All cloth covers and bushings should be dry-cleaned, not washed, not bleached.
7. If you find loose thread, do not tear it with your hand; it is best to cut the thread neatly with scissors.

Sofá

Instrucciones de ensamblaje - Por favor, guarde este documento para futuras referencias.

Si encuentra cajas faltantes, piezas dañadas o escasez de accesorios, por favor contacte inmediatamente al equipo de servicio al cliente del canal de compra. Resolveremos el problema lo más rápido posible.



LA SIGUIENTE INFORMACIÓN :

- Número de pedido
- Plataforma de compra
- Fecha de compra
- Descripción detallada del problema junto con fotos (si corresponde)

Importante - Por favor, lea estas instrucciones cuidadosamente antes de comenzar la instalación.

| Sofá

Antes del Ensamblaje



¡Gracias por elegir nuestro producto!

Para garantizar un proceso de instalación sin problemas, lea cuidadosamente esta guía para familiarizarse con las herramientas, materiales y pasos de instalación necesarios.

Siga las secciones correspondientes para evitar cualquier daño causado por una instalación incorrecta, y asegúrese de revisar todas las pautas de operación y seguridad para los procedimientos de instalación correctos.

Aviso sobre el Embalaje:

1. Aviso sobre Envío en Múltiples Cajas

Este producto viene en 3 cajas separadas, las cuales pueden ser entregadas por lotes. Para evitar partes perdidas o problemas de instalación, asegúrate de haber recibido todas las cajas antes de desempacar y ensamblar.

2. Verificación de Cajas y Embalaje

Cada caja está etiquetada con un número correspondiente. Consulte la lista de empaque en la siguiente página de este manual para verificar que haya recibido todas las cajas.

Si encuentra cajas faltantes, piezas dañadas o escasez de accesorios, comuníquese de inmediato con el servicio de atención al cliente del canal de compra. Resolveremos el problema lo antes posible.

Información de Instalación

- Toda la información en esta guía se basa en el estado del producto al momento de la impresión. Nos reservamos el derecho de modificar las características del producto, su embalaje o disponibilidad sin previo aviso.
- Antes de instalar el mueble, asegúrese de que se hayan completado todas las preparaciones eléctricas o ambientales necesarias.
- Este manual contiene instrucciones importantes sobre instalación, limpieza y mantenimiento. Léalo cuidadosamente y guárdelo para futuras referencias.

Lista de Verificación Pre-Instalación

1. Inspeccione cuidadosamente el nuevo producto en busca de daños o defectos.
2. Asegúrese de que la instalación se realice en una superficie limpia y plana para mantener el equilibrio y estabilidad.

3. Evite la exposición prolongada del producto a ambientes húmedos o luz solar directa.
4. Maneje con cuidado durante la instalación. Utilice materiales protectores (por ejemplo, cojines suaves) para evitar arañazos.
5. Para cualquier pregunta o soporte técnico, consulte la guía de servicio al cliente y comuníquese con el servicio al cliente del vendedor.

Recomendaciones de Uso y Mantenimiento

1. Limpie el mueble regularmente para mantener la higiene y prevenir el crecimiento de bacterias. Use un paño húmedo escurrido para evitar rayar la terminación.
2. Evite el contacto con líquidos corrosivos ácidos o alcalinos.
3. No utilice piezas de repuesto no autorizadas. Para obtener piezas de repuesto, contáctese al fabricante o distribuidor.
4. No lave ni enjuague ninguna parte de este producto con agua.



Advertencias de Seguridad

1. Etiquetas de Advertencia:

No retire las etiquetas de advertencia del producto o la embalaje, y siempre siga las instrucciones relacionadas.

2. Inspecciones Regulares:

Verifique regularmente todas las partes del producto para asegurarse de que estén correctamente instaladas, sin daños, y de que todos los conectores estén ajustados firmemente.

3. Uso Seguro:

No juegue sobre o debajo del sofá, y evite estrictamente saltar u otras acciones que puedan dañar el sofá o a los usuarios.

4. Peligro de Cuerdas:

No adjunte cuerdas, ganchos, correas u otros objetos no previstos a ninguna parte del producto.

5. Conservación de la Guía:

Conservar este manual para futuras referencias.

6. Responsabilidad de Supervisión:

La seguridad es una responsabilidad compartida entre el fabricante y el usuario. Siempre siga las pautas de seguridad al utilizar el producto.

Exención de responsabilidad

Nos comprometemos a proporcionar productos seguros y confiables. Si tiene alguna pregunta sobre este producto o necesita soporte adicional, comuníquese con nuestro equipo de servicio al cliente. Estamos aquí para ayudarlo.

Guía de Servicio al Cliente



¡Gracias por elegir nuestro producto! Estamos comprometidos a brindarle un servicio excelente. Si encuentra piezas faltantes, daños en el embalaje o daños en el producto después de recibir todos los paquetes, siga los pasos a continuación para contactar rápidamente a nuestro equipo de atención al cliente. Haremos todo lo posible para resolver su problema.

1. Piezas Faltantes

Verificar las Piezas:

1. Consulte la “Lista de Piezas” en el manual para verificar el nombre, las especificaciones y la cantidad de las piezas faltantes.
2. Tome una foto clara de la lista de piezas y marque las piezas faltantes con información detallada, por ejemplo: “Faltan 5 piezas de tornillos M6×30mm.”

Contáctenos:

- Una descripción de las piezas faltantes y una foto de la lista de piezas.
- Detalles del pedido (número de orden, plataforma de compra, fecha de compra).

2. Daños en el Producto o Embalaje

Si afecta el uso normal

Pasos:

1. Tome fotos o videos claros que muestren las partes dañadas y el alcance del daño (se recomienda capturar imágenes desde múltiples ángulos).

Solución:

Después de la verificación, organizaremos el envío de una pieza de reemplazo, el cambio del producto o el reembolso lo más rápido posible.

Si no afecta el uso normal:

Pasos:

. Proporcione una descripción del daño e incluya fotos o videos relevantes.

Solución:

Le proporcionaremos orientación para la reparación o un plan de compensación adecuado según la situación específica.

Consejos Útiles

Para procesar su solicitud de manera eficiente, por favor tenga preparada la siguiente información:

- Detalles del pedido (número de orden, plataforma de compra, fecha de compra).
- Fotos o videos claros.
- Estamos comprometidos a brindarle soluciones rápidas y profesionales, sin importar el tamaño del problema, para garantizar su satisfacción.

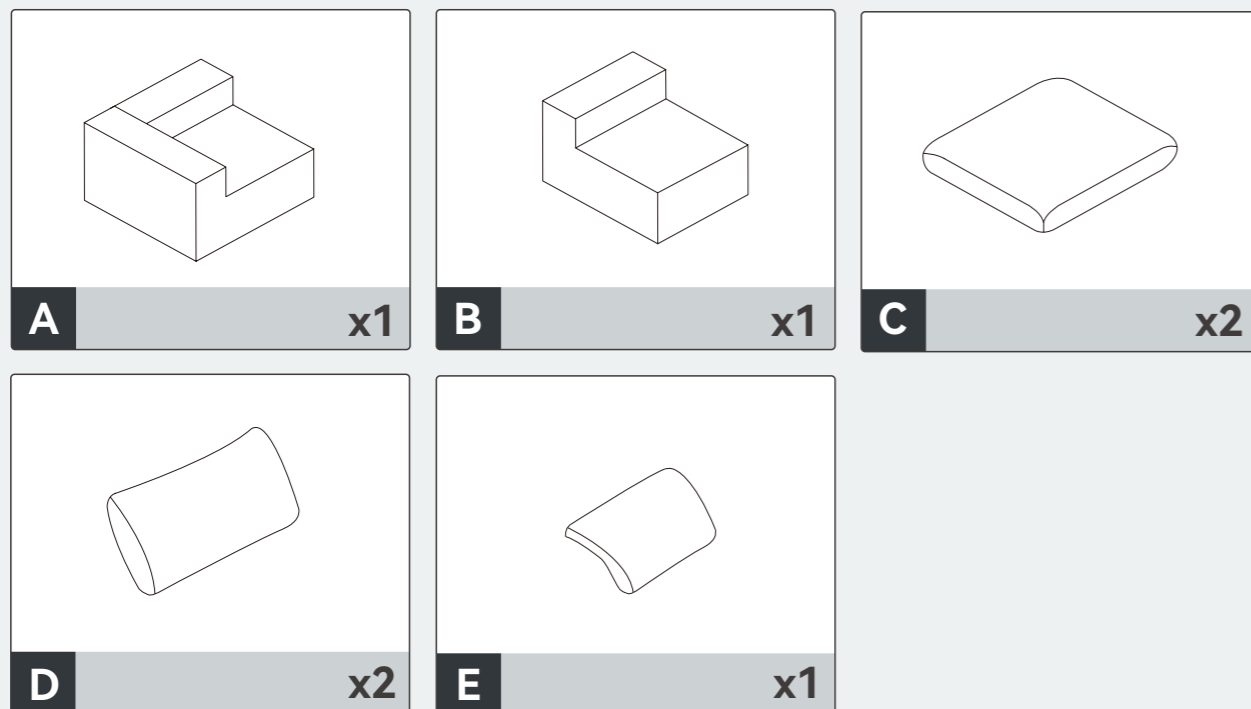
¡Gracias por su confianza y apoyo!

¡Esperamos que disfrute de nuestro producto!

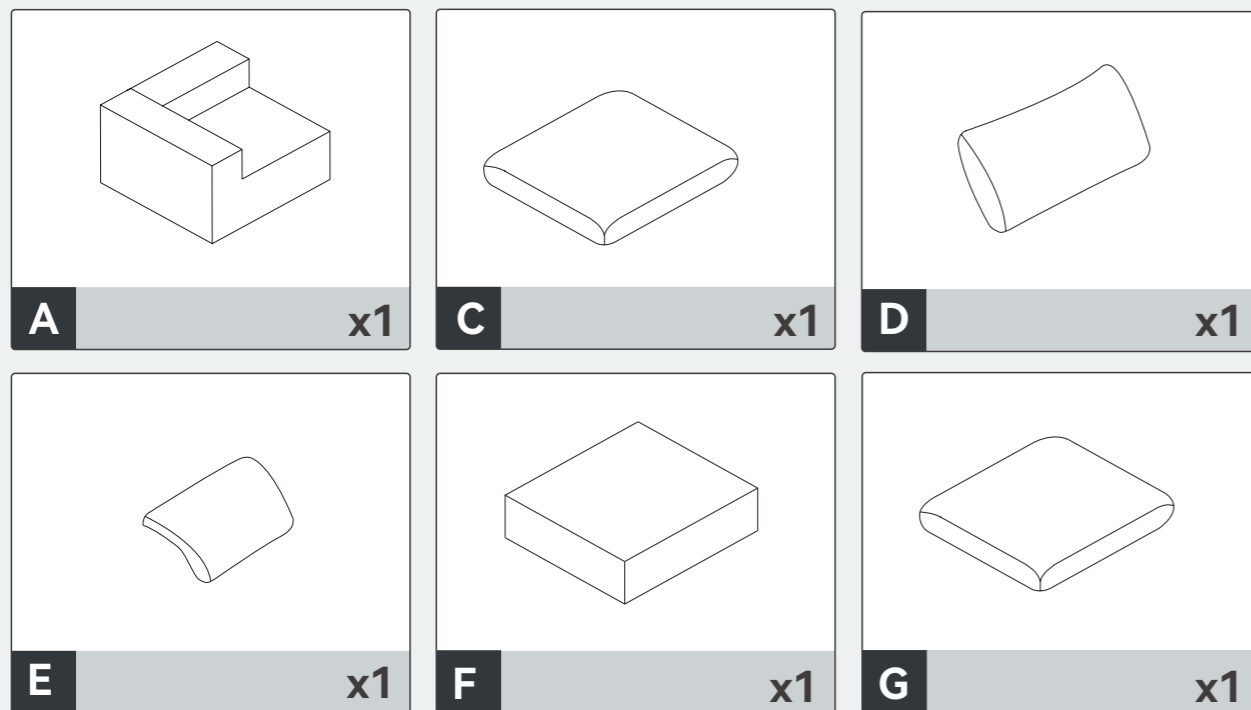
Lista de Piezas



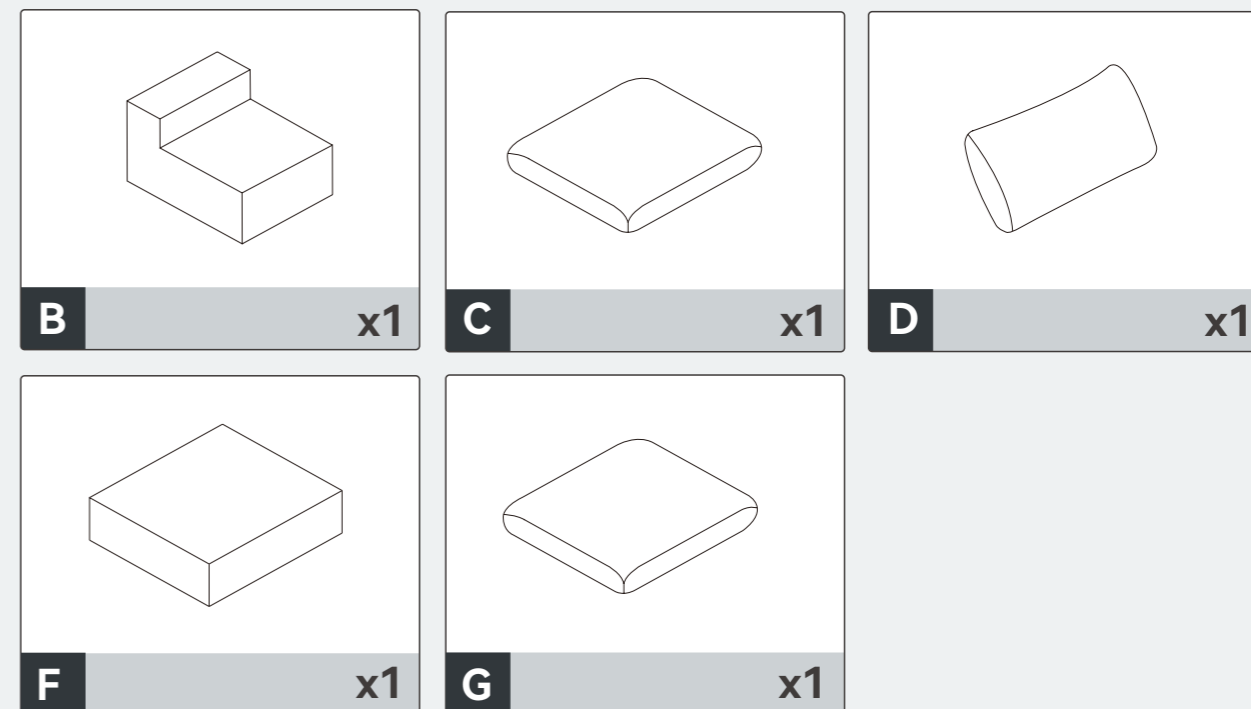
Caja 1



Caja 2



Caja 3



ES

ES

Consejos de Seguridad y Cuidado



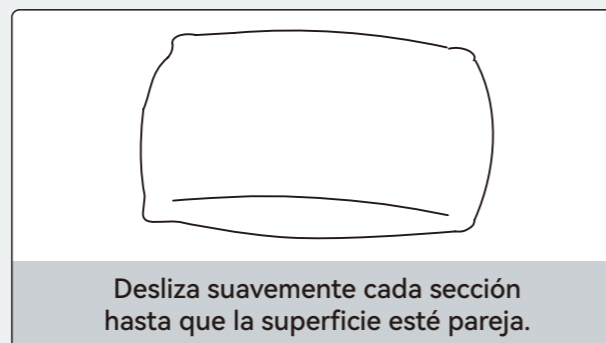
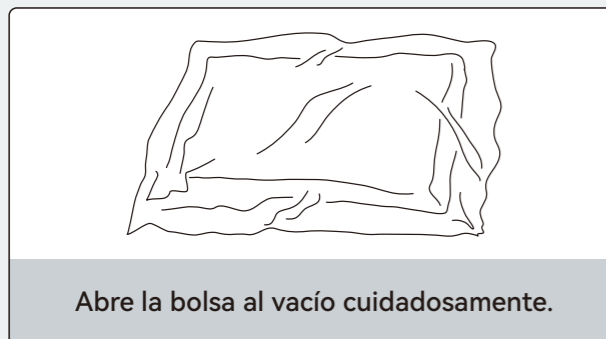
Importante : Por favor, lee estas instrucciones completamente antes de comenzar la ensamblaje.

Gracias por tu compra.

Antes de ensamblar, sigue las instrucciones para verificar si todas las piezas de repuesto y tornillos están en buen estado.

- Considerando el tamaño y peso del sofá, recomendamos que dos adultos ensamben el sofá, en un área alfombrada o acolchonada, en la habitación donde se va a utilizar. Tiempo aproximado de ensamblaje: 30 minutos.
- No tires ninguna de la embalaje ni las instrucciones hasta que todos los componentes y hardware hayan sido verificados y el mueble esté completamente ensamblado. Asegúrate de que la embalaje sea desechada de manera segura y amigable con el medio ambiente.
- Mantén todos los componentes y la embalaje fuera del alcance de niños o animales para evitar el riesgo de asfixia o ahogamiento.
- No retires la cubierta, y no laves.

Tus cojines vienen empaquetados al vacío y sellados para el envío. Para restaurar la forma original del cojín, sigue los pasos a continuación.



Después de empacar, colócalos en un lugar seco y ventilado.

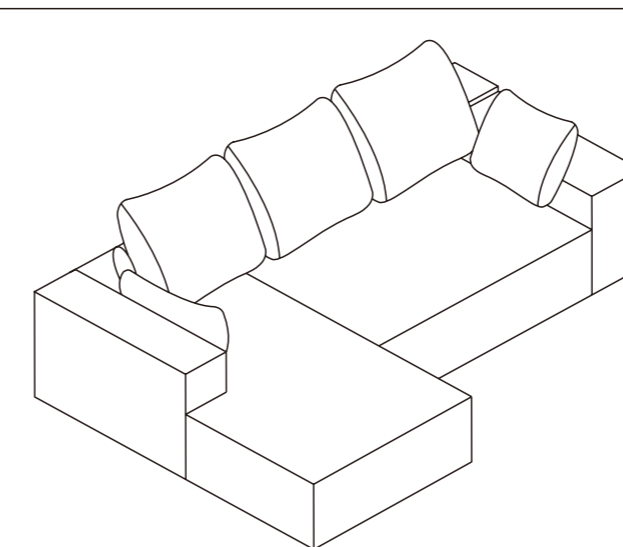
Después de aproximadamente 72-96 horas, se puede restaurar a la mejor condición de uso.



Instrucciones de Ensamblaje



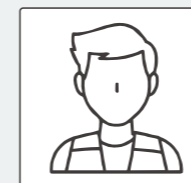
Importante : Por favor, lee estas instrucciones completamente antes de comenzar el ensamblaje.



Nota :

Entregado con TRES PAQUETES y TRES SECUENCIAS DE SEGUIMIENTO, puede que no se entreguen al mismo tiempo.

Antes de comenzar el ensamblaje, determina dónde se colocará el sofá y la orientación que deseas.



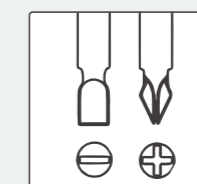
Se necesitan 2 personas



Guantes de trabajo



Cinta métrica



Otras herramientas requeridas
Destornillador Phillips
(No incluido)

Pasos Simples de Ensamblaje

1. Lee el manual cuidadosamente.
2. Verifica todas las partes y el hardware.
3. Prepara las herramientas necesarias.
4. Cuenta con al menos dos adultos para el ensamblaje.

Sigue las instrucciones y utiliza un paño limpio para proteger el producto durante el proceso de ensamblaje.

Nota:

1. El ensamblaje debe realizarse en una superficie plana para mantener el equilibrio.
 2. No aprietes los tornillos antes de que el ensamblaje esté completo.
- Para facilitar y mejorar el proceso de ensamblaje, se necesitan dos o más adultos.

Instrucciones de desempaquetado

<p>1</p>  <p>Saca el contenido de la caja</p>	<p>2</p>  <p>Corta el envoltorio blanco exterior</p>	<p>3</p>  <p>Desenrolla el colchón</p>	<p>4</p>  <p>Quita el plástico</p>
<p>5</p>  <p>Saca el sofá</p>	<p>6</p>  <p>Da ligeros golpes en los bordes</p>	<p>7</p>  <p>O usa un secador de pelo para acelerar la recuperación</p>	<p>8</p>  <p>Place the sofa in a ventilated area</p>

Nota: La ilustración es solo para referencia; por favor, consulte el producto real para conocer la apariencia exacta.

1. Abrir con cuidado

Utilice tijeras para cortar la caja exterior. No utilice un cuchillo para evitar dañar la tela.

2. Desenvolver las bolsas de compresión

Retire todos los componentes de sus bolsas selladas al vacío. Una vez roto el sellado, el sofá comenzará a expandirse inmediatamente.

Consejos prácticos para la recuperación del sofá:

1. Método de toalla caliente + secador de pelo (para depresiones localizadas)

Coloque una toalla caliente sobre el área que no se ha recuperado durante unos minutos, luego use un secador para soplar aire caliente sobre ella (mantenga una distancia de más de 10 cm) para acelerar la recuperación.

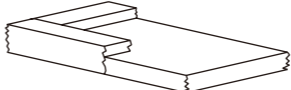
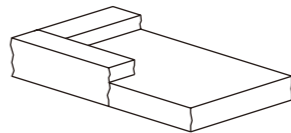
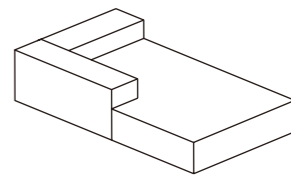
Principio: El calor activa las moléculas elásticas en la espuma, ayudando al aire a regresar rápidamente.

2. Método de volteo + golpeteo uniforme

Vuelva del revés el cojín, asiento o respaldo del sofá, luego golpee cada área de manera uniforme.

Principio: Esto evita que el peso se concentre en una sola dirección, lo cual puede causar una recuperación desigual.

Guía de mantenimiento para sofá completamente comprimido

<p>1 90%</p>  <p>Después de abrir el paquete, el sofá puede recuperarse al 90%</p>	<p>2 95%</p>  <p>Después de 24 horas, el sofá puede recuperarse al 95%</p>	<p>3 Totalmente</p>  <p>De 24 horas a 1 semana, el sofá se recuperará por completo</p>
--	--	--

Sugerencias de desempaquetado e información posterior

1. Después de desembalar, despliegue inmediatamente el sofá

Evite la compresión prolongada que pueda causar deformación permanente de la tela o relleno.

2. Tiempo de recuperación e impacto ambiental

Normalmente, el sofá recuperará su forma original en un plazo de 24 a 72 horas. La velocidad de recuperación puede variar ligeramente debido a la temperatura y la humedad.

3. Consejos para acelerar la recuperación

Coloque el sofá en una habitación bien ventilada y cálida;
Toque y amase suavemente diferentes partes del sofá para ayudar a que la espuma se recupere más rápido;
Evite colocar objetos pesados sobre el sofá durante la recuperación.

Uso diario y limpieza

1. Rotación regular de los cojines

Ayuda a mantener una forma uniforme y prolonga su vida útil.

2. Métodos de limpieza

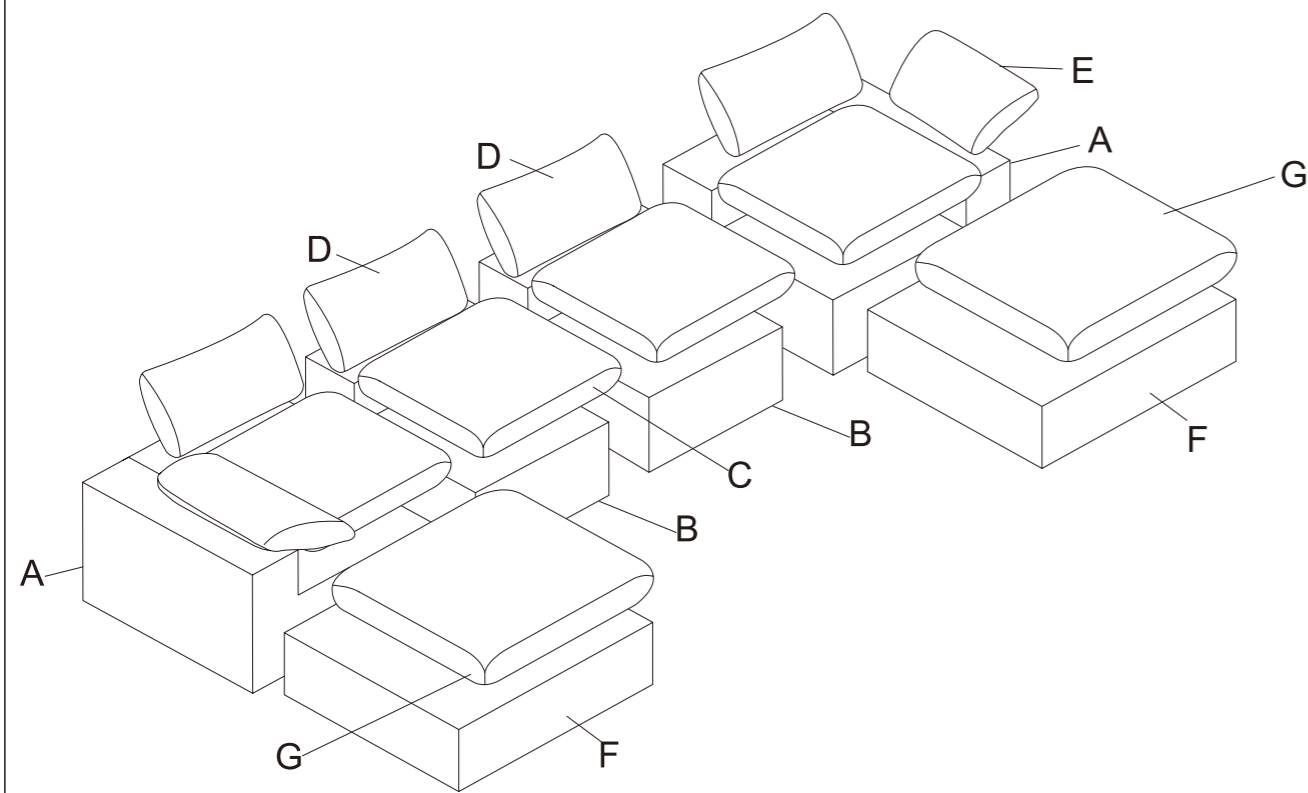
Superficie de tela: Utilice una aspiradora o un paño húmedo para limpiar regularmente;
Para manchas localizadas: Utilice un detergente suave y limpie suavemente la zona afectada;
No utilice lejía ni productos químicos agresivos.

3. Protección contra el sol y la humedad

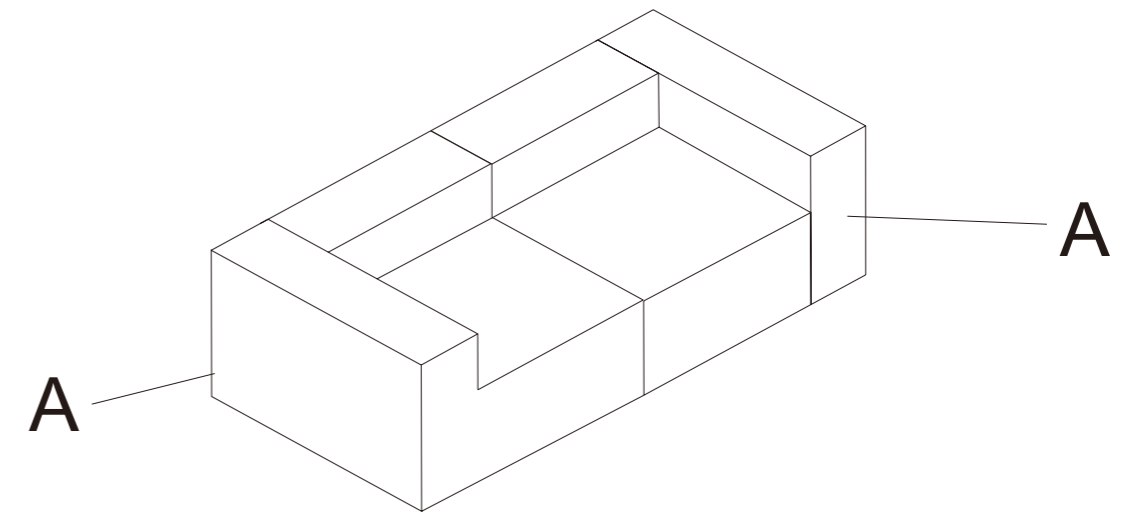
Evite la exposición prolongada al sol o a ambientes húmedos para prevenir la decoloración, el moho o la deformación.

Advertencias

- Este producto está diseñado exclusivamente para uso interior. No lo coloque al aire libre.
- Evite arrastrarlo con fuerza durante el traslado para prevenir rasgaduras o daños en las costuras.
- Para almacenamiento prolongado, utilice el embalaje original y guárdelo en un lugar seco.

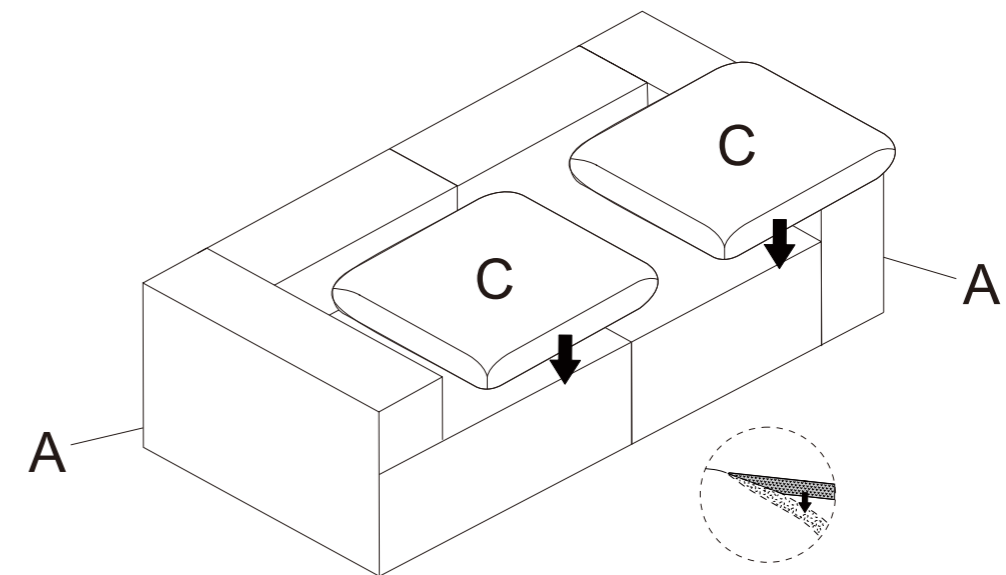


Paso 1



Une las dos partes (A).

Paso 2

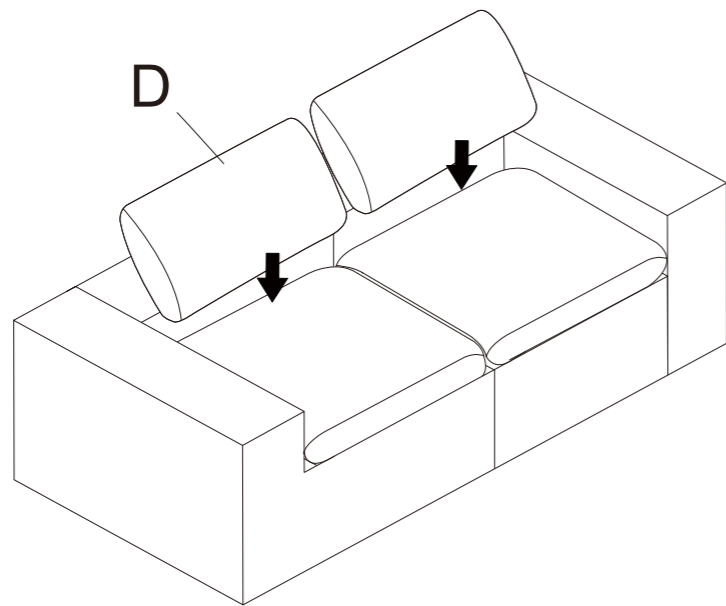


Usa un sujetador de nailon para mantenerlo en su lugar.

Coloca la pieza (C) sobre la pieza (A) y ata el sujetador de nailon.

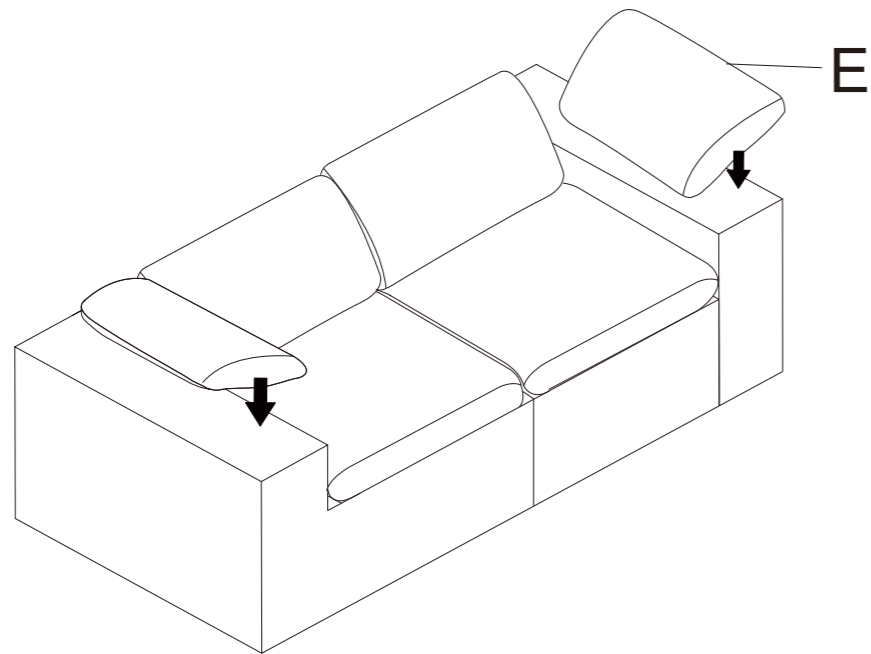
Nota: Ajusta el sujetador de nailon en la parte inferior.

Paso 3



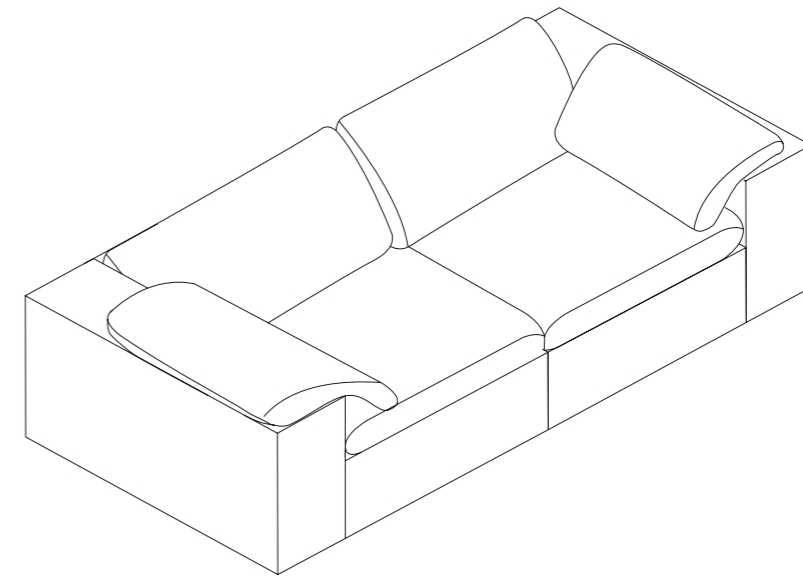
Inserte la pieza (D).

Paso 4



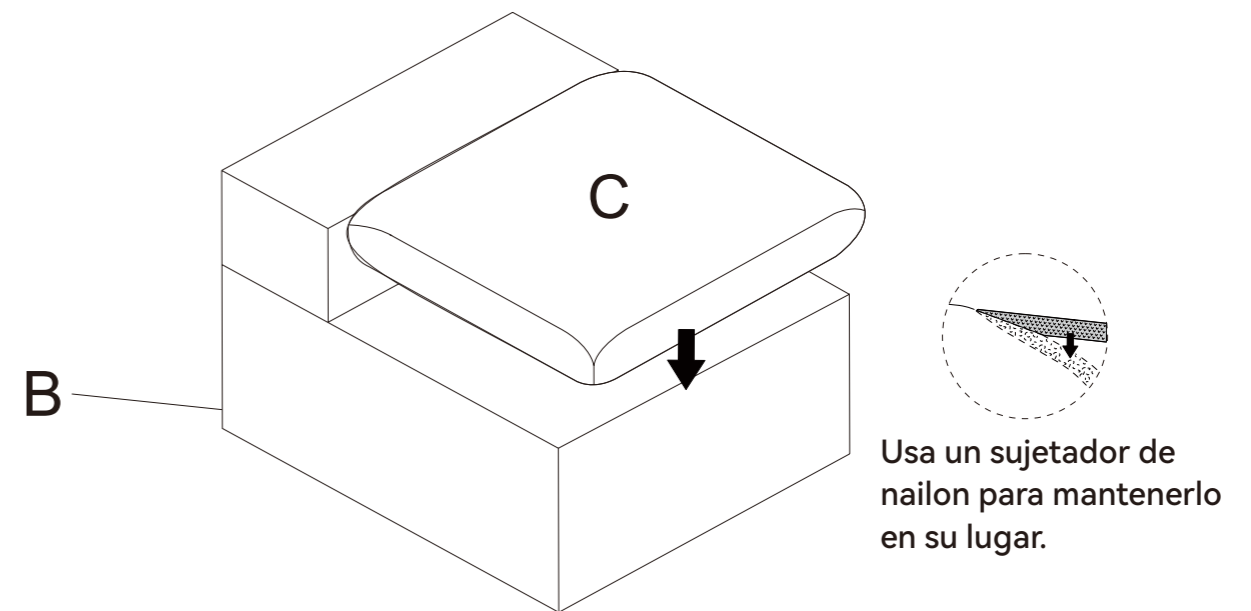
Inserte la pieza (E).

Paso 5



Montaje completado.

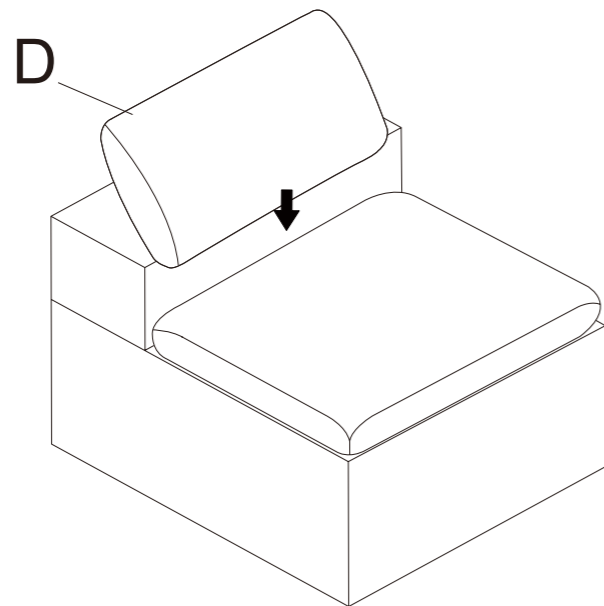
Paso 6



Une la pieza (B) con la pieza (C) y ata el sujetador de nailon.

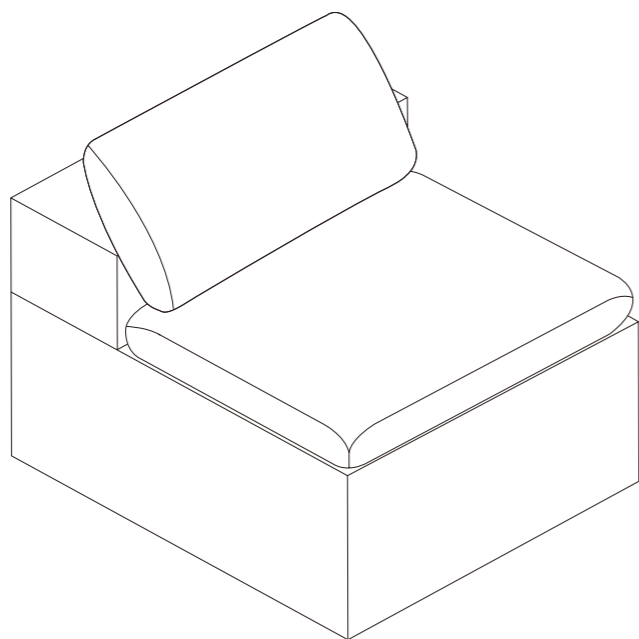
Nota: Ajusta el sujetador de nailon en la parte inferior.

Paso 7



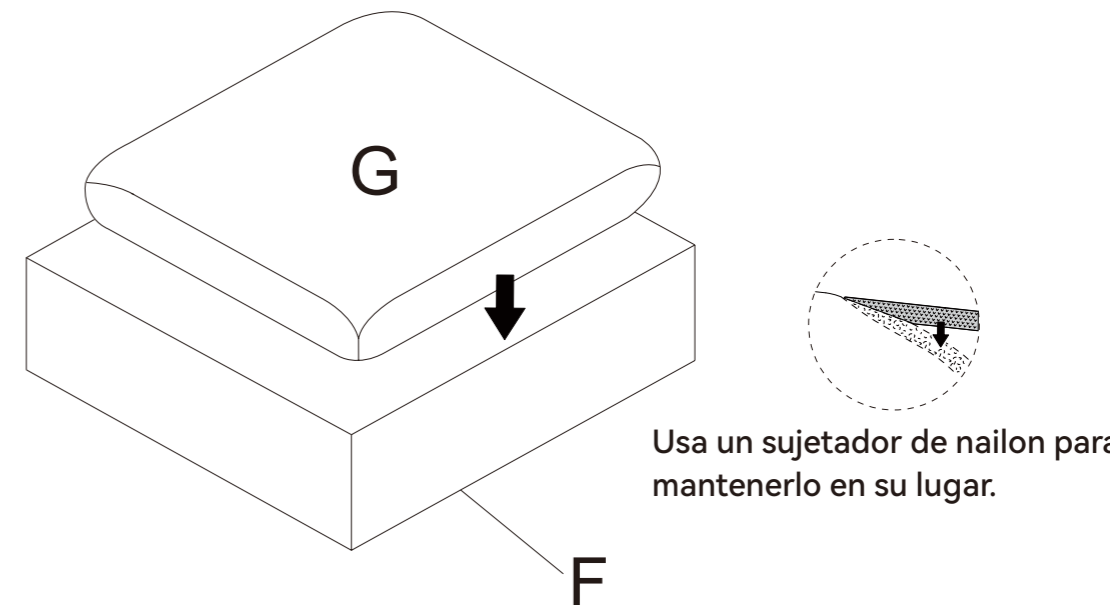
Inserte la pieza (D).

Paso 8



Montaje completado.

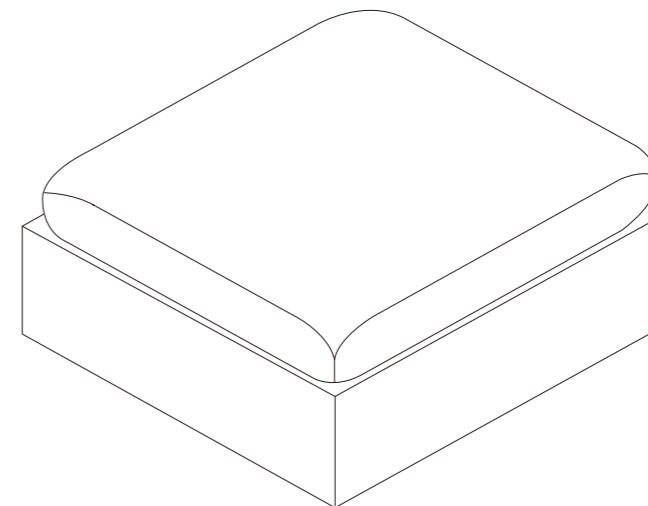
Paso 9



Une la pieza (G) con la pieza (F) y ata el sujetador de nailon.

Nota: Ajusta el sujetador de nailon en la parte inferior.

Paso 10



Montaje completado.

Ilustración de Montaje 1

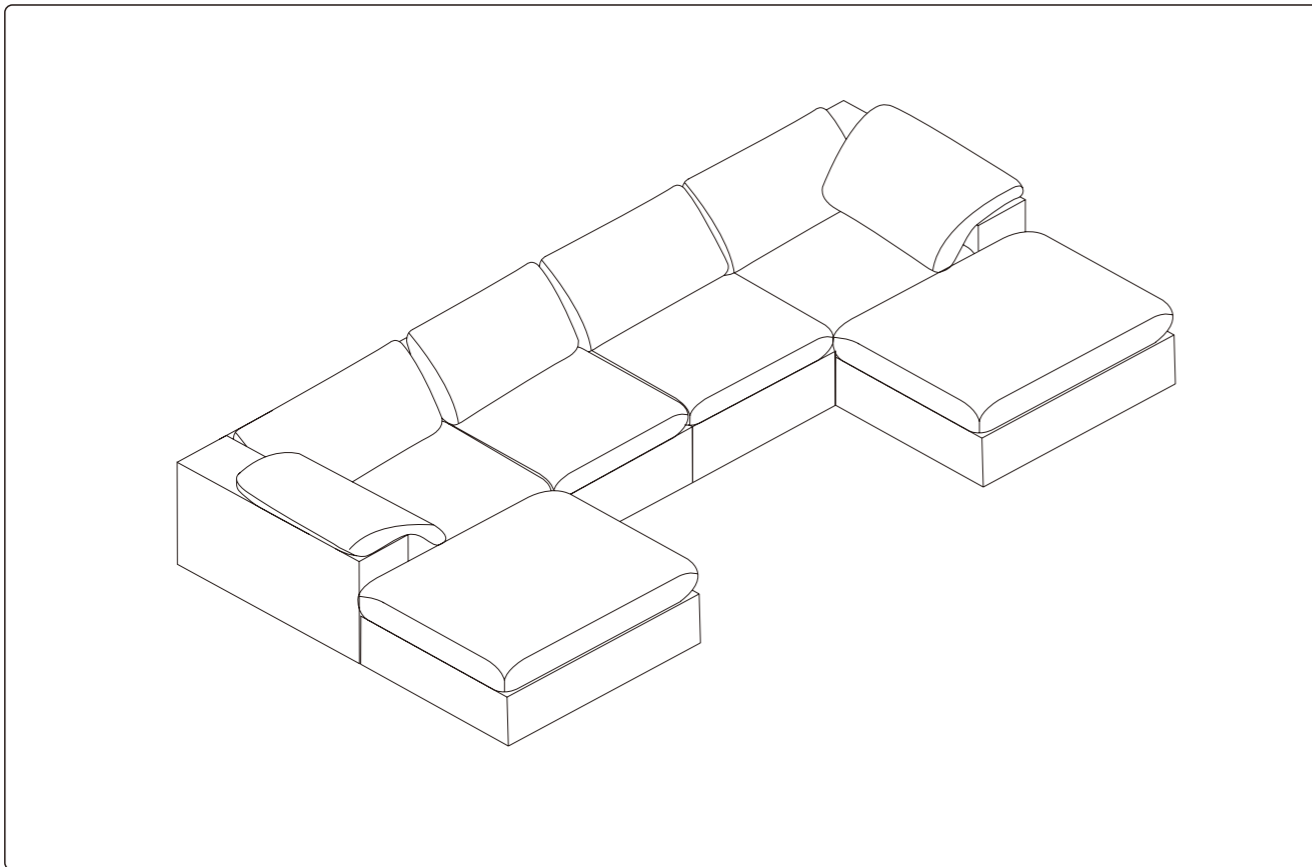
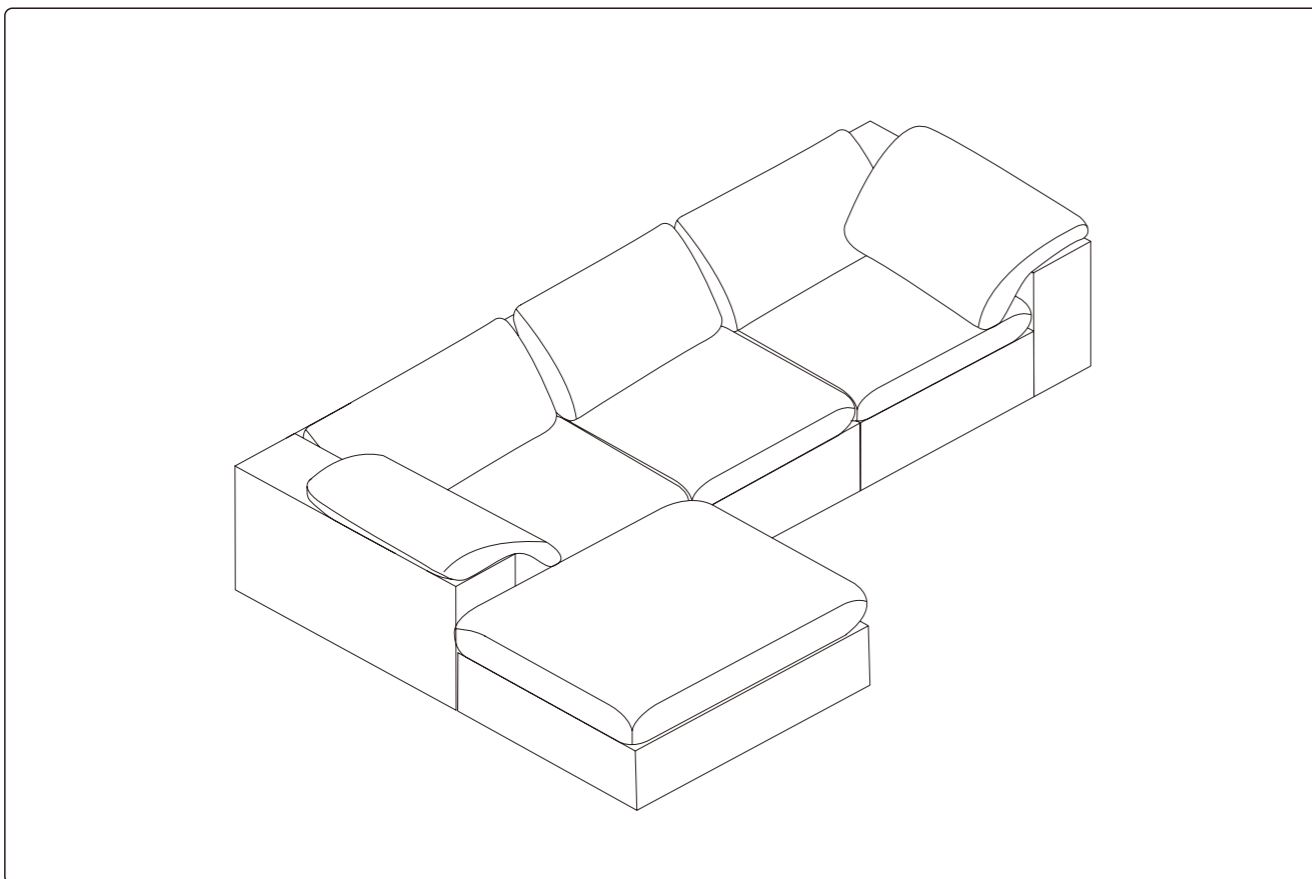
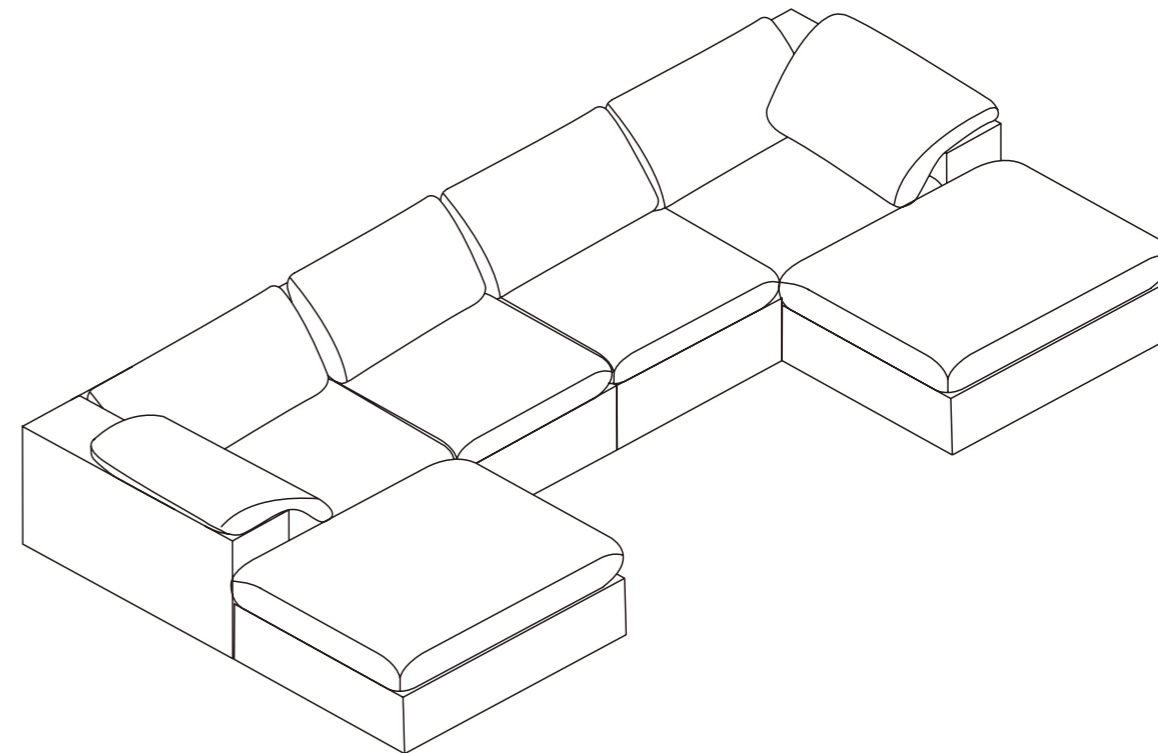


Ilustración de Montaje 2



Mantenimiento



1. Dejar un espacio de 0.5-1 cm entre la parte del sofá que toca la pared y la pared.
2. Evitar la luz solar directa, preferiblemente colóquelo en un lugar que pueda evitar la exposición al sol, o use cortinas de tul translúcidas para bloquear el sol.
3. Aspirar al menos una vez a la semana, prestando especial atención a la eliminación de acumulaciones de polvo entre las estructuras de tela.
4. Dar vuelta a los cojines del sofá una vez a la semana para distribuir uniformemente el desgaste.
5. En caso de manchas, utilice un paño limpio mojado con agua para limpiarlas. Para evitar dejar marcas, es mejor limpiar desde el perímetro de la mancha. La mobiliario de terciopelo no debe mojarse y se debe usar un agente de limpieza seca.
6. Todas las fundas y cojines de tela deben limpiarse en seco, no lavarse ni blanquearse.
7. Si encuentra hilos sueltos, no los arranque con las manos; lo mejor es cortar los hilos limpiamente con tijeras.