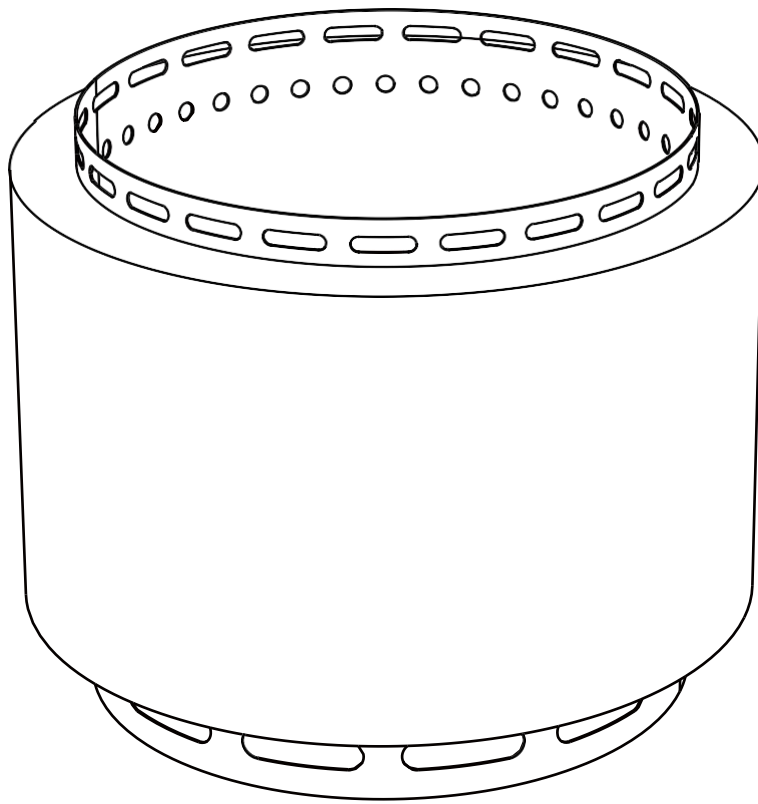


# 19Inch Smokeless Stove

---

If you have any questions about the smokeless stove, please feel free to contact us.

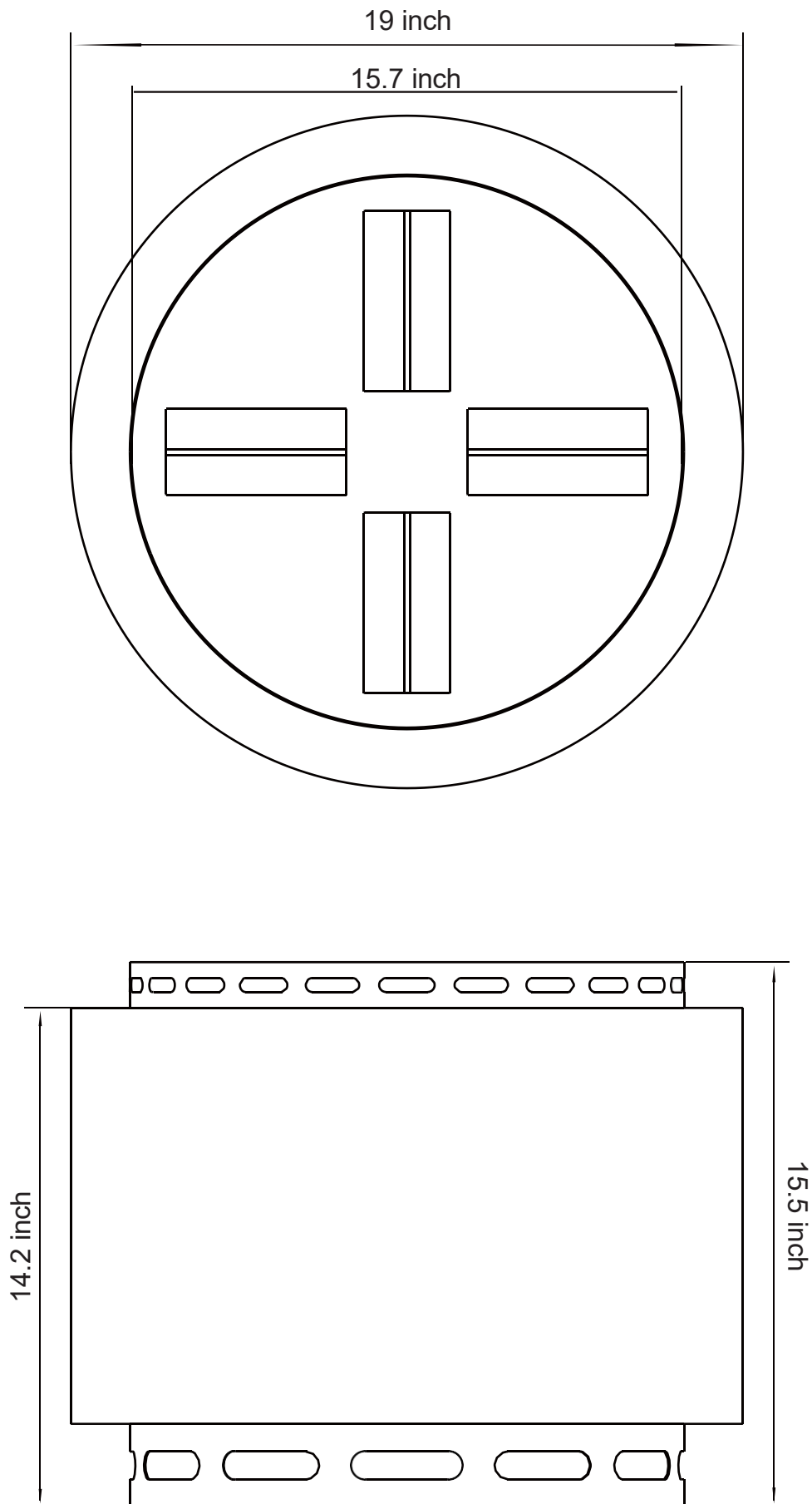


## IMPORTANT

PLEASE READ BEFORE YOU COMMENCE ASSEMBLY

Follow the guidelines in this user guide to ensure correct assembly and care for this product.

# SPECIFICATIONS



## Catalog

Specifications.....	01
Catalog.....	02
Important Caution.....	03
Safety Instructions.....	03
Warning.....	04
Storage And Care.....	05
Part List.....	06
Installation steps.....	07



## IMPORTANT CAUTION

Please verify all parts and components present and check for any damaged pieces before assembly. If you have any damaged or missing parts, please contact customer service at [Service@alaulm.com](mailto:Service@alaulm.com)

• Some parts may contain sharp edges and may cause injury or property damage. We recommend you wear protective gloves during assembly.



## SAFETY INSTRUCTIONS

PLEASE READ ALL SAFETY RULES BEFORE ASSEMBLY AND USAGE. FAILURE TO FOLLOW THESE INSTRUCTIONS MAY RESULT IN A FIRE, PROPERTY DAMAGE, OR PHYSICAL INJURY.

- CAUTION: THIS PRODUCT IS FOR OUTDOOR USE ONLY. DO NOT USE THE STOVE INDOORS.
- CAUTION: All surfaces of this fire pit are extremely hot during and after the fire has been put out. To avoid any burns or injuries, do not touch this stove under any circumstances until the fire is completely out and the surfaces have fully cooled down.
- FOR ADULT USE ONLY.
- DO NOT DRAG THE STOVE. IT MAY COST DAMAGE TO THE BOTTOM.





# WARNING

- DO NOT allow children to operate this fire pit. Keep children and pets away from the stove when it is in use.
- DO NOT use this product under a covered porch, patio roof, low hanging branches, trellis, or overhands of any kind.
- DO NOT use this product in extreme weather or thunderstorm conditions.
- DO NOT leave a burning fire pit unattended at any time.
- DO NOT wear any flammable or loose clothing when using this stove, especially when igniting a fire.
- DO NOT modify or tamper with this appliance. Tampering with the fire pit is dangerous and not permitted.
- DO NOT use this product on wooden floors, carpets or flammable surfaces. When using on deck it is recommended to use a fire pit mat under.
- DO NOT move the fire pit once the fire is started.
- Always place the fire pit on a hard, flat, non-flammable surface.
- Always use this product in accordance with all local and state fire codes.
- Practice the same safety precautions you would as with any open fire.
- Make sure the fire is completely extinguished before leaving the fire pit after use.
- Make sure all flammable materials or items are at least 6 feet away from the fire pit.
- Ensure the fire pit is placed in an area that is visible and will not be a trip hazard to anyone.



## **STORAGE AND CARE**

- When the stove is not in use, store it in a dry place .
- If the stove becomes yellow or stained, clean the stove with a mild stainless steel detergent and gently wipe it with a sponge.

## **THINGS TO PREPARE BEFORE YOUR BONFIRE**

1. Ignition source: Find a fire source. A lighter or match typically works well.
2. Firelighters: Collect firelighters, such as fatwood sticks or fire pit starters. Alternative items you can use are dried plants, grass wax, dried leaves, twigs, or other fuels that help maintain your bonfire.
3. Fuel source: Dry wood at least 1” to 5” in diameter work best

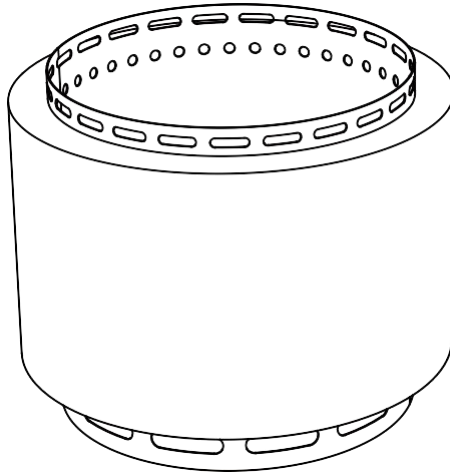
## **HOW TO LIGHT A FIRE**

1. Form a small hill of sticks, branches, or other dry kindlings at the center of your burning plate. Place them as close together as possible to maximize fuel strength. Light the small hill of dried twigs or other fuel burners and wait for the flame to ignite.
2. Once the fire starts, add bigger sticks. As a safety precaution, do not add any other combustible except wood. Do not use wood pellets, because these may produce a toxic gas or block the air holes.
3. Add wood blocks at least 1” to 5” in diameter to create a solid thermal chamber.
4. Fill the stove with fuel. The maximum height should not exceed the height of the air outlet on the inner wall.

# PART LIST

## Parts List

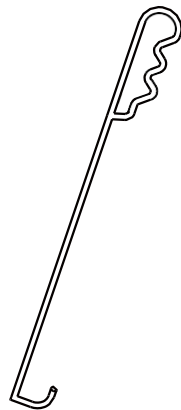
L014



Smokeless stove

1 PC

L015



Fire hook

1 PC

L016



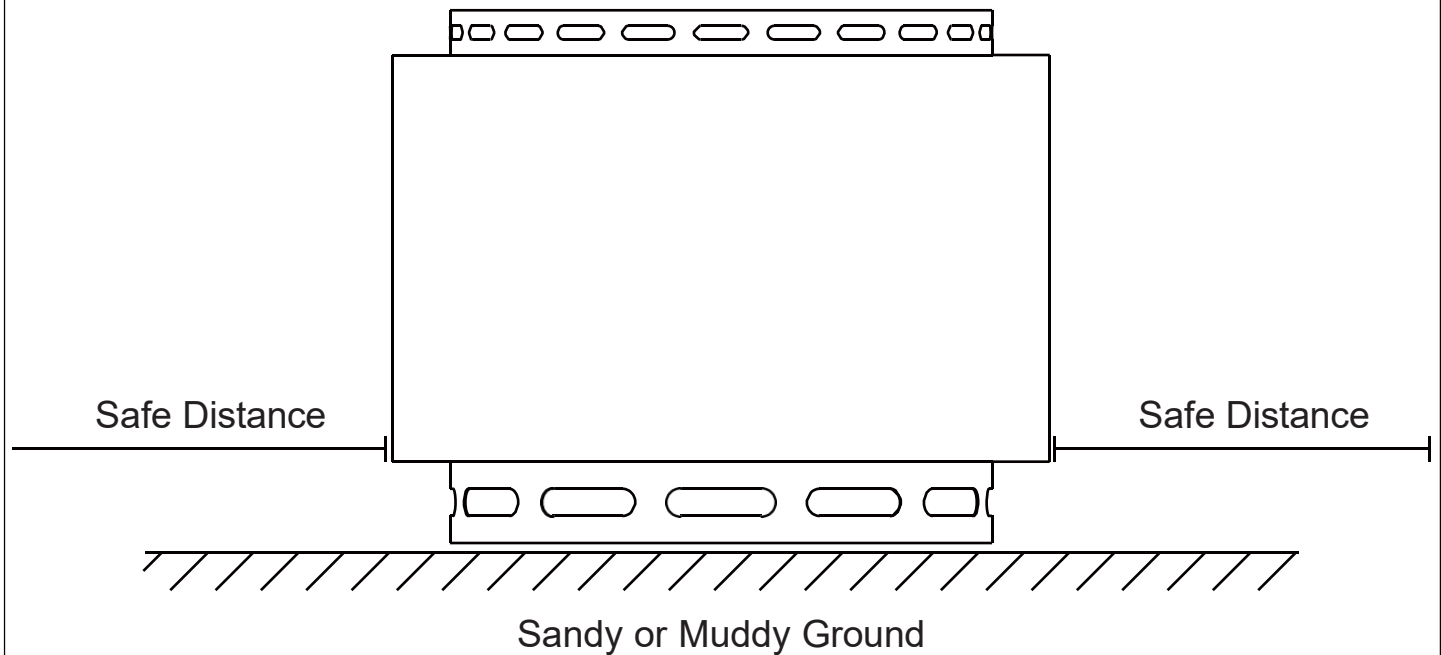
Cover

1 PC

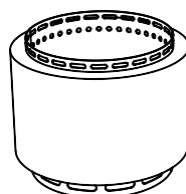
### How To Use The Smokeless Stove

**Step 1:** Place the stove on the ground. Make sure it is secured on a flat surface. Keep the stove away from any flammable materials when fire is ignited.

**NOTE:DO NOT** use this product on wooden floors, carpets or flammable surfaces.



L014



x1

## Installation steps

### Step 2: Starting a fire using the Wood Pack.



**Light:** Place Wood Pack onto the cone and light each corner.

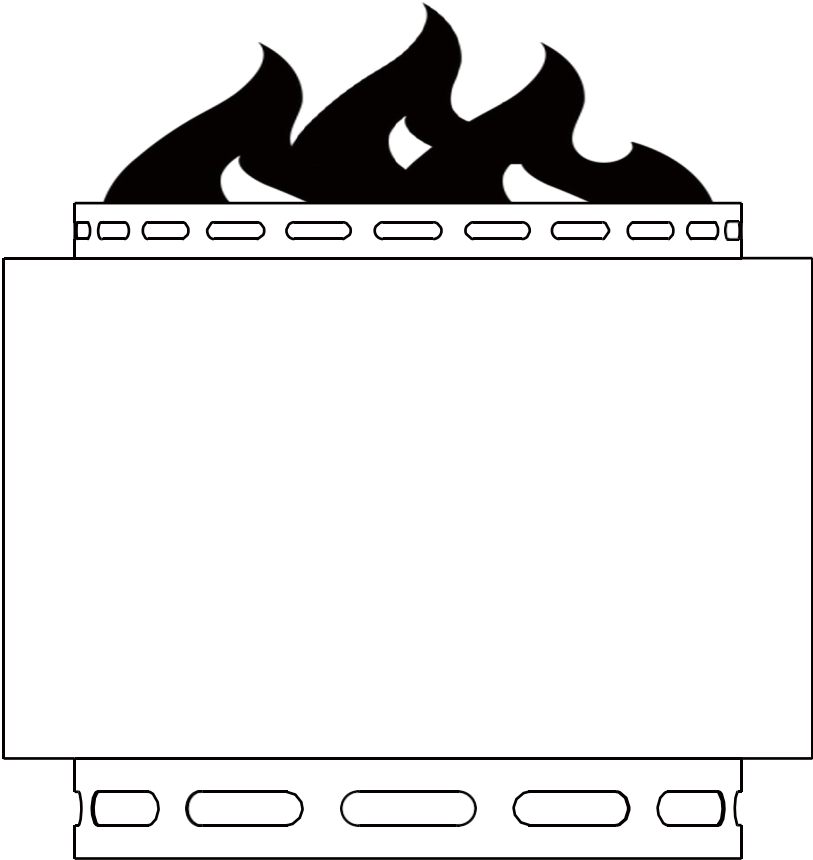


**Burn:** As the bag burns the wood pellets will spill out. No need to stir. Fire will fill the Fire Pit within 5 minutes.



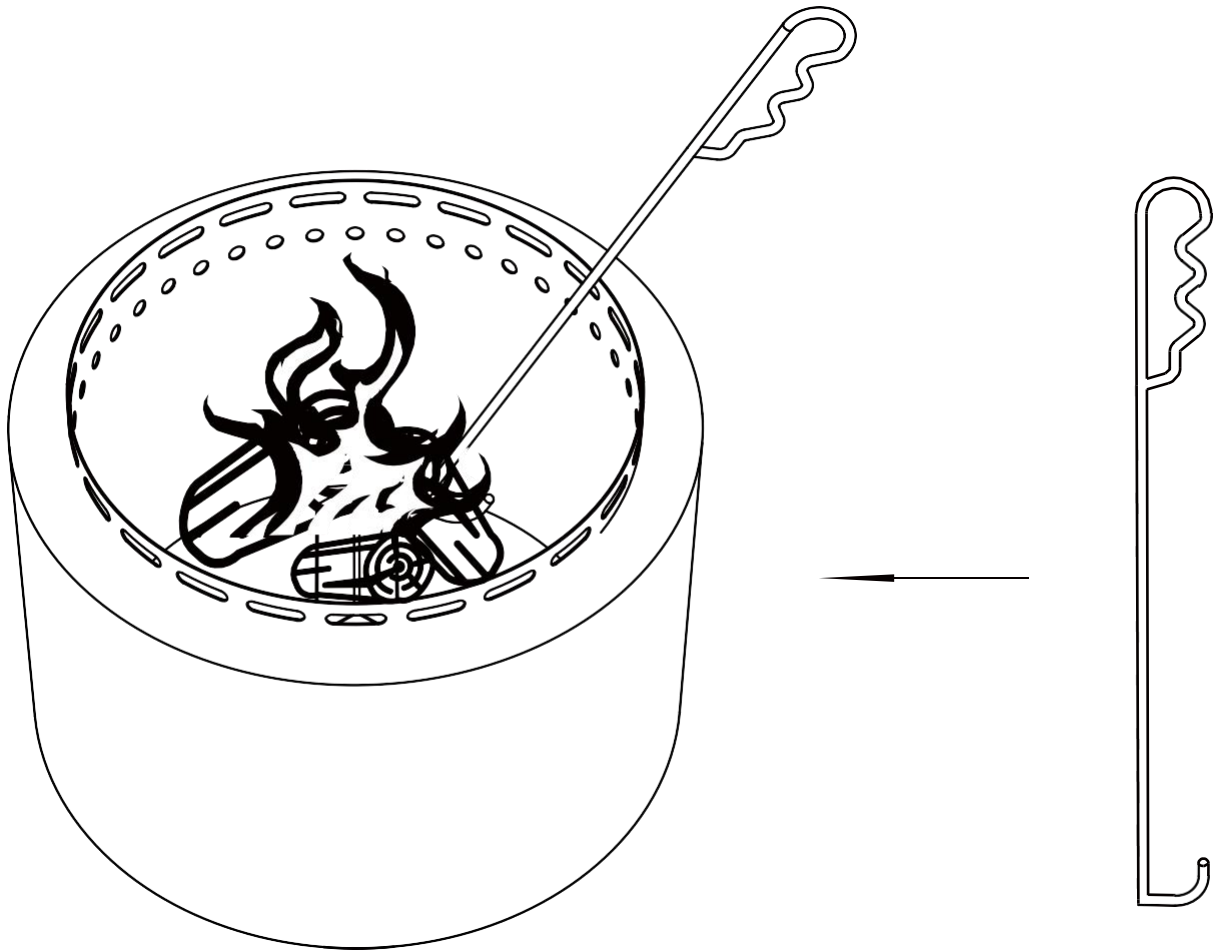
**Repeat:** After approximately 30 minutes or as flames die down, add another Wood Pack or firewood.

**Step 3:** Enjoy your bonfire and stay warm!



## Installation steps

**Step 4:** Use the fire hook to adjust the wood in the stove when in use. This can also be used to clean the burner pan kit after it has cooled.



L015

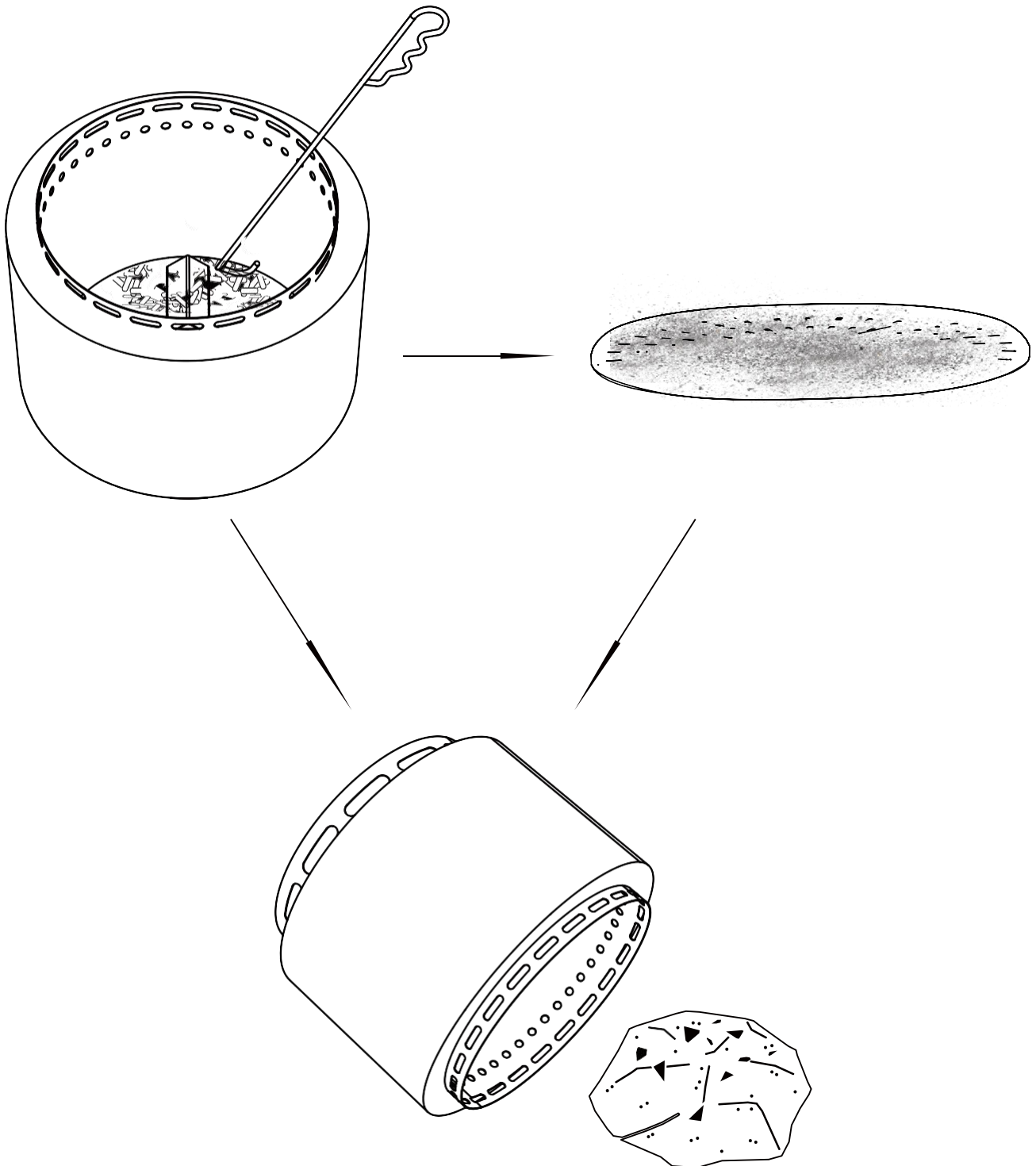


x1

## Installation steps

**Step 5:** Use a fire hook to drain the ashes out of the ash chute under the stove, or if there are larger objects that have not burned sufficiently in the stove, you can pour them out directly from the stove.

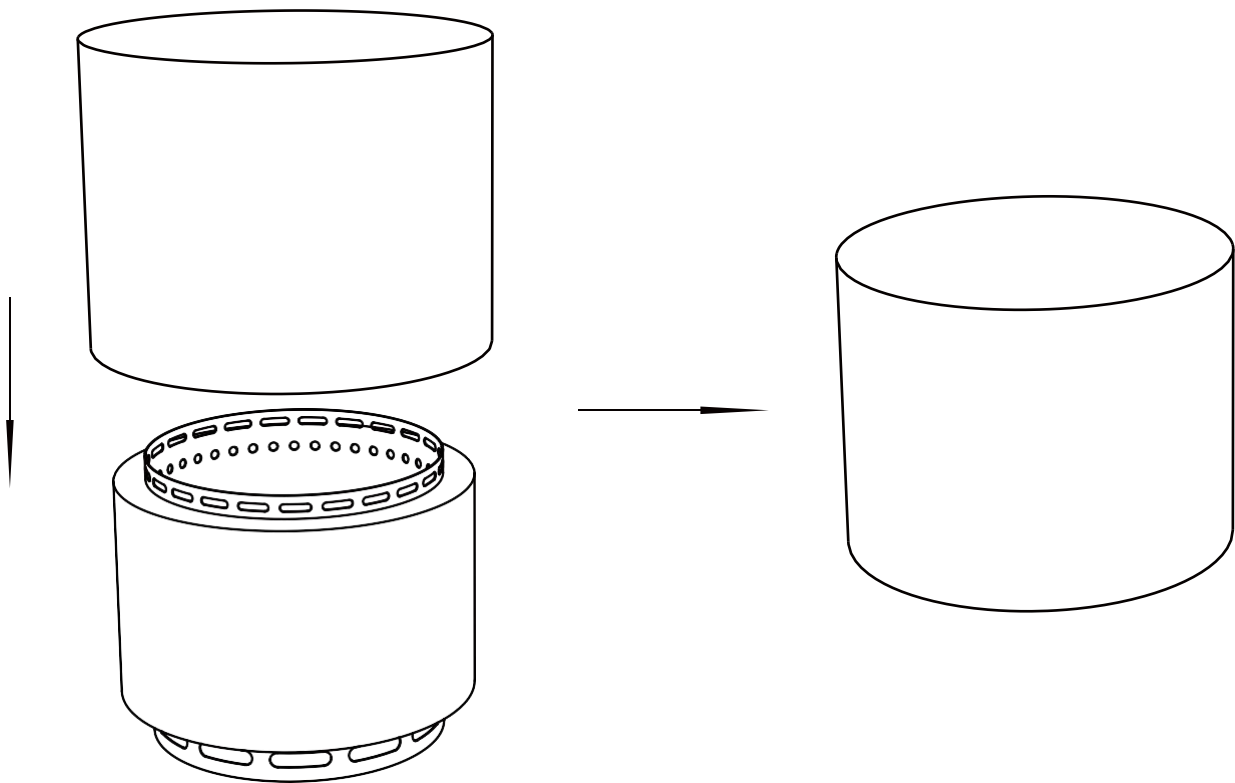
**NOTE:** Let the fire go out until completely cooled.  
Time will vary.



## Installation steps

**NOTE:**When the smokeless stove is not in use, please cover the stove with a waterproof cover.

When using a smokeless stove, remove the waterproof cover and place it away from the stove.



x1