





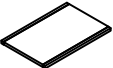
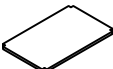


Important safety instructions:

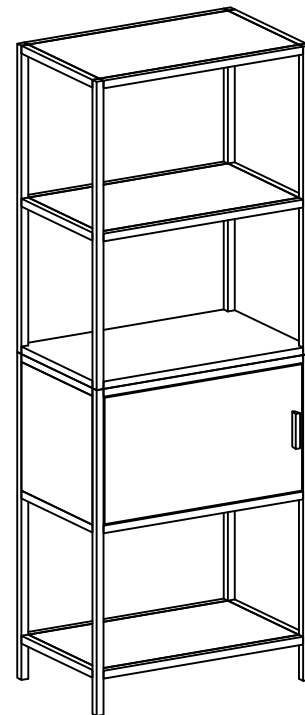
- Please read carefully all instructions before assembly.
- For your safety and ease, assembly by two or more adults is recommended.
- Keep instructions for future use. For your safety and ease, assembly by two or more adults is recommended.

Pre-assembly:

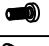
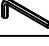

- Do not discard any content until assembly is complete to avoid accidentally discarding small parts or hardware.
- Take out all parts and hardware from box.

Parts List

Item	Description		QTY
P1	Back Top Frame		1
P2	Front Top Frame		1
P3	Back Bottom Frame (with Back Panel)		1
P4	Front Bottom Frame (with Door)		1
P5	Shelf (with metal)		4
P6	Center Panel		1
P7	Left Side Panel		1
P8	Right Side Panel		1



Hardware List

Item	Description		QTY
H1	Big Bolts Ø1/4"*1/2"L		32
H2	Allen Wrench Ø1/4		1
H3	Anti Tip Kit		1 SET

DISCLAIMER:

WHEN PROPERLY ASSEMBLED, THIS ITEM IS SAFE FOR INTENDED USE. SELLER IS NOT LIABLE FOR ANY DAMAGES RESULTING FROM ITEM BEING IMPROPERLY ASSEMBLED AFTER PURCHASE.

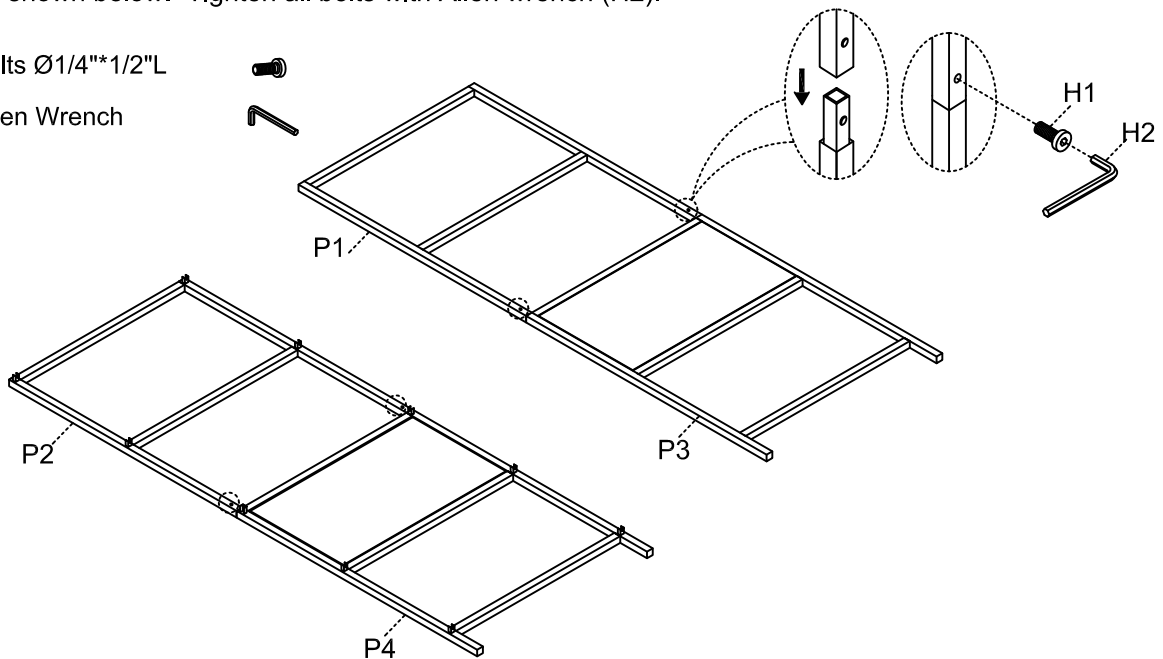
Noted: There will be take around 30 minutes to assembly the bookcase by two adults.

Assembly Procedures:

Step 1. Assemble the bookcase on a flat, soft surface such as a carpet or cloth to prevent scratching the finish. Insert bar on front bottom frame (P3) and back bottom frame (P4) to the end of front top frame (P1) and back top frame (P2) as shown below. Tighten all bolts with Allen wrench (H2).

(H1)x4 Bolts $\text{Ø}1/4'' \times 1/2'' \text{L}$

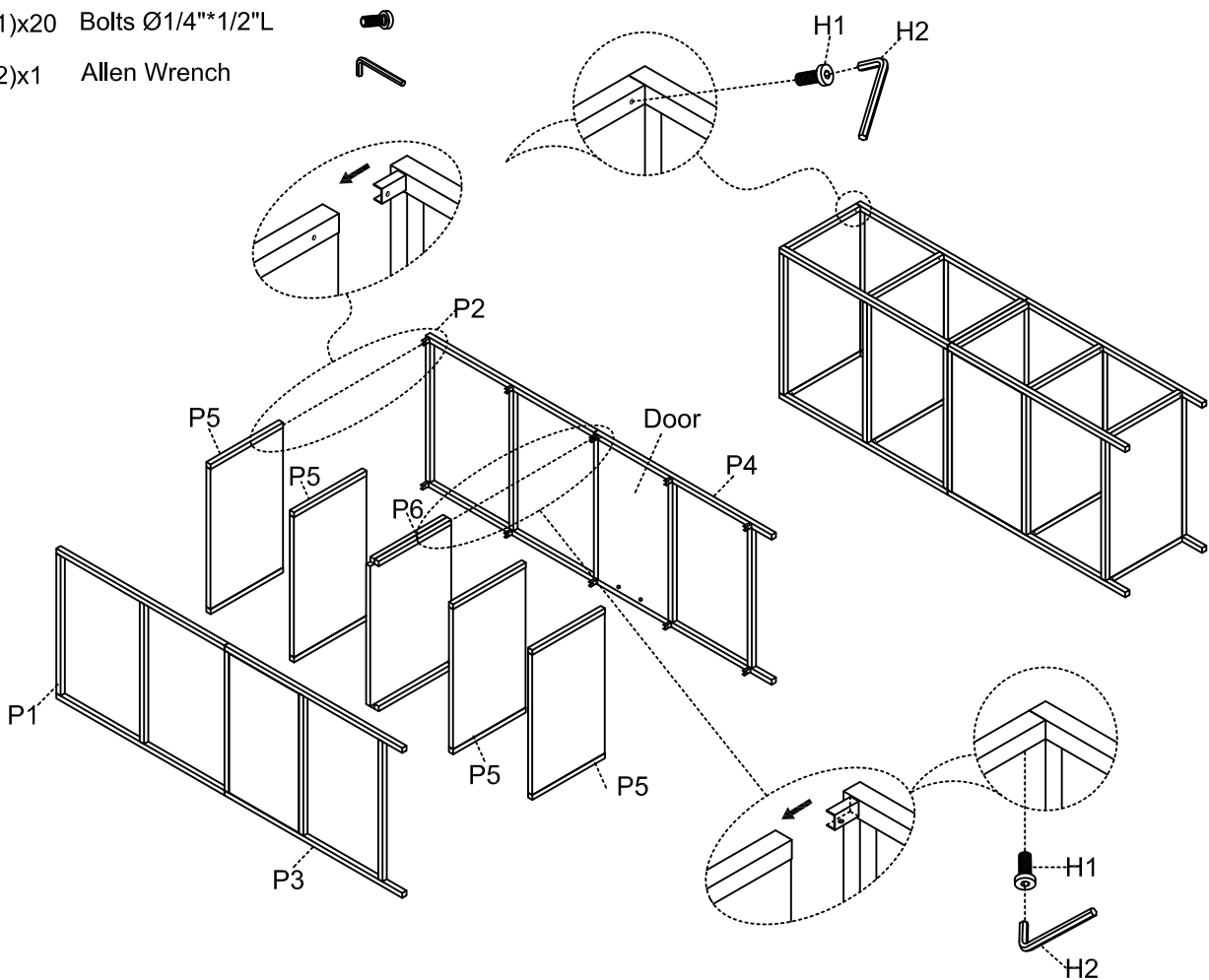
(H2)x1 Allen Wrench



Step 2. Attach the assembled side frames (P1,P2,P3,P4) to the shelves (P5) and center panel (P6) as shown below.

(H1)x20 Bolts $\text{Ø}1/4'' \times 1/2'' \text{L}$

(H2)x1 Allen Wrench

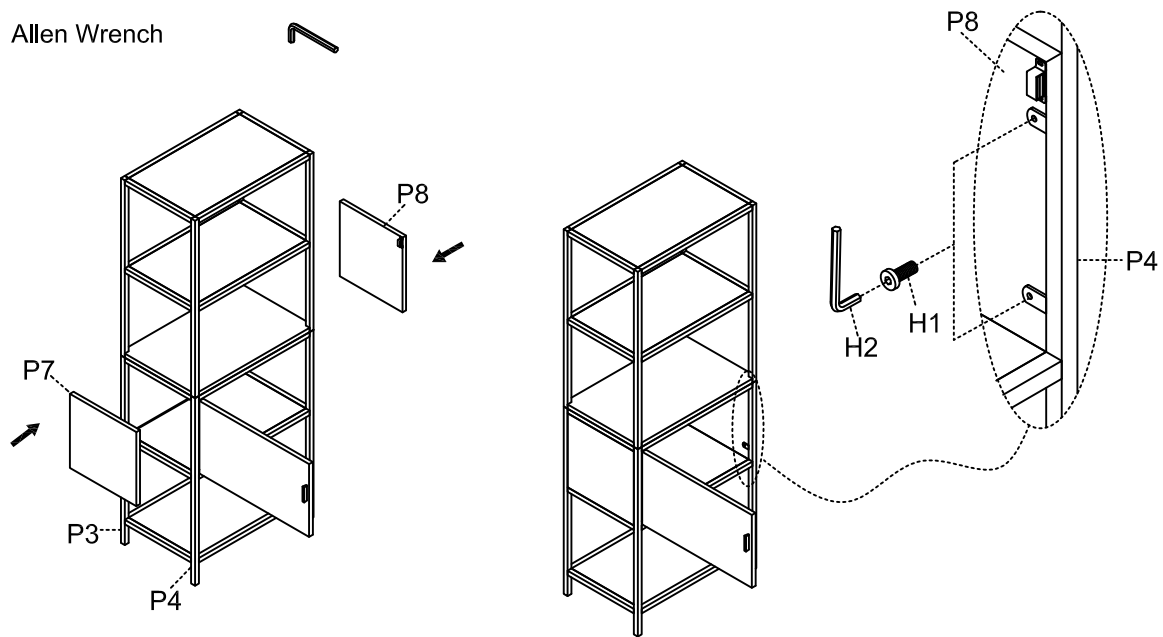


Step 3. Turn the assembled bookcase to an upright position. Make sure the bookcase is level and then securely tighten all bolts with Allen wrench (H2). Attach left side panel (P7) and right side panel (P8) to assembled frame (P3 & P4) as shown below.

(H1)x8 Bolts $\text{\O}1/4'' \times 1/2''\text{L}$



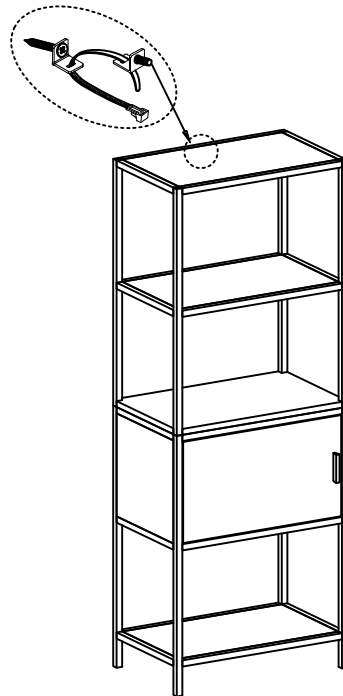
(H2)x1 Allen Wrench



Step 4.

- 1) **Recommend that you attach the products to your wall as a safety precaution.** Please see the other instructions "**Furniture Safety Bracket Tip Resistant**".
- 2) Assembly is complete. **Failure to follow these instructions may cause the bolts to misalign during assembly.**

(H4)x1set Anti Tip Kit



ADDITIONAL NOTE ABOUT SAFETY: BOLTS MAY LOOSEN DURING NORMAL EVERYDAY USE. THEY SHOULD BE PERIODICALLY INSPECTED AND RE-TIGHTENED TO PREVENT DAMAGE OR INJURY. ALWAYS CHECK TO ENSURE THAT ALL HARDWARE IS KEPT TIGHTENED.

Thank you for your purchase

Furniture Safety Bracket Tip Resistant

- Designed to help prevent furniture tipover.
- Detachable strap allows for easy moving of furniture for cleaning.
- Also helps prevent furniture from tipping during minor tremors.

Bolt (1pc)



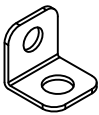
Long Screw (1pc)



Strap (1pc)



Bracket (2pcs)

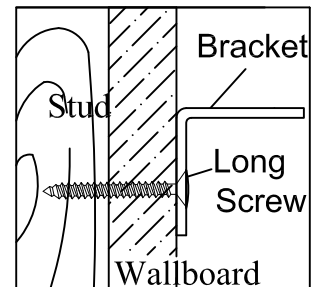
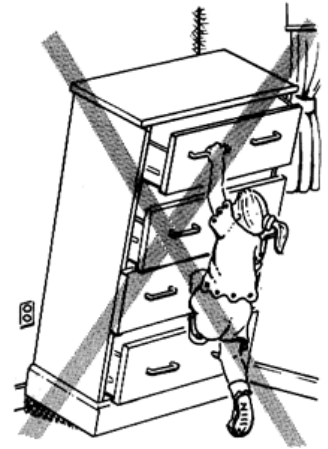


Installation:

1. Locate a wall stud behind your furniture. Position a bracket on the stud approximately 1" below the top frame of the furniture. Mark and drill pilot hole into the center of the stud with a 3/32" drill bit. Attach a bracket to the stud with the long screws provided. Making sure the metal bracket extend UPWARD as shown.

2. On the back of the furniture. Attach the metal bracket to the back of top frame with bolt, making sure the metal bracket extend DOWNWARD as shown.

3. Move the furniture into its final position, taking care to line up the wall bracket with the furniture bracket. Thread a strap through the bracket as shown in the illustration. Tighten strap until snug. Do not over tighten.



Important:

Check to be sure the wall bracket is firmly screwed into wall stud, the furniture bracket is firmly attached to the frame, and the strap is snug.

Caution:

This product is not to be a substitute for proper parental supervision. Manufacturer assumes no liability for improper installation or excessive loads placed on screws brackets or straps.

Warning:

Children have died from furniture tipover. To reduce the risk of furniture tipover:

- ALWAYS install tipover restraint provided.
- NEVER put a TV on this product.
- NEVER allow children to stand, climb or hang on drawers, doors, or shelves.
- NEVER open more than one drawer at a time.
- Place heaviest items in the lowest drawers.

This is a permanent label.
Do not remove!

