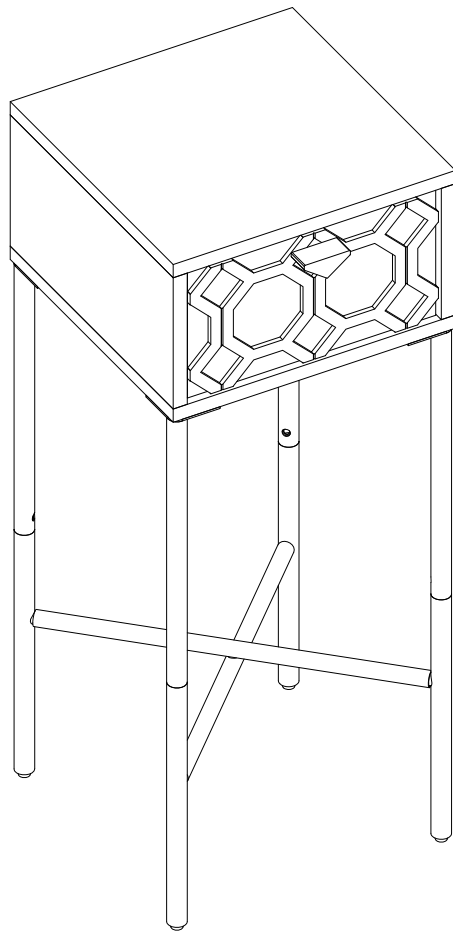
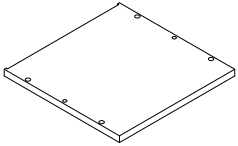
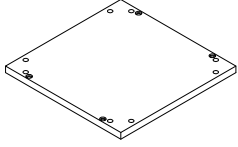
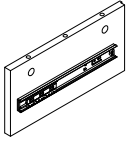
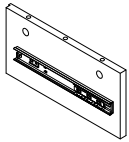
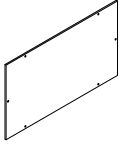




ASSEMBLY INSTRUCTIONS

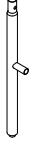
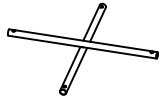
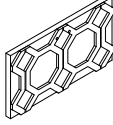
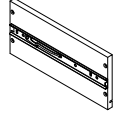
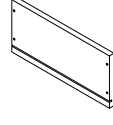
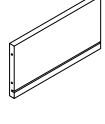
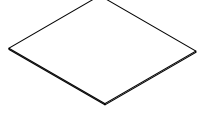


ASSEMBLY INSTRUCTIONS

Part List:

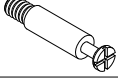

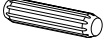





ITEM	DESCRIPTION	PART	QTY
1	Top panel		1
2	Bottom panel		1
3	Left side panel		1
4	Right side panel		1
5	Back panel		1
6	Upper leg		4
7	Lower leg		2

Part List:

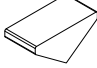






ITEM	DESCRIPTION	PART	QTY
8	Lower leg		2
9	"X" bar		1
11	Drawer front		1
12	Drawer left side		1
13	Drawer right side		1
14	Drawer back		1
15	Drawer bottom		1

ASSEMBLY INSTRUCTION

Hardware List:

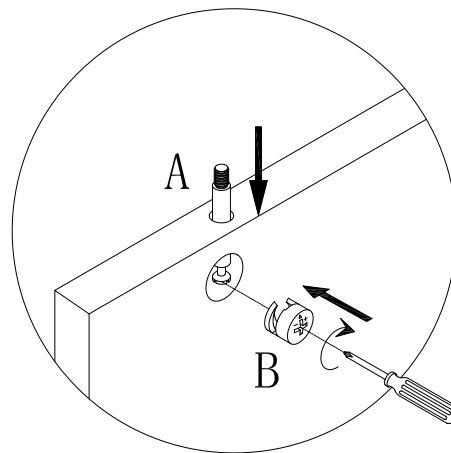
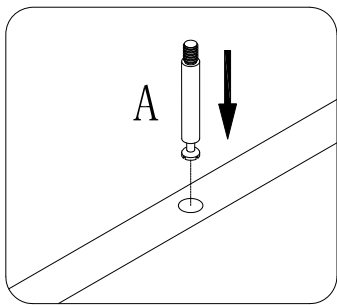
ITEM	DESCRIPTION	PART	QTY
A	Camlock bolt		4
B	Camlock		4
C	Wooden dowel	 Φ8*30mm	4
D	Bolt	 Φ1/4"*1/2"	12
E	Bolt	 Φ5*10mm	4
F	Bolt	 Φ1/4"*1 1/4"	4
G	Allen wrench		1
H	Flat head screw	 Φ4*25mm	8

Hardware List:

ITEM	DESCRIPTION	PART	QTY
I	Handle		1
J	Machine screw	 Φ5/32"*7/8"	2
K	Back screw	 Φ3*12mm	6
L	Safety wall strap		1
M	Plastic anchor		1
N	Mounting screw	 Φ4*38mm	1
O	Washer		1

- * Required screwdriver & mallet, not included.
- * Before discarding packing materials, please check to make sure that all parts and hardware is present.
- * Two people needed for assembly.
- * Please follow the instructions closely; do not over tighten screws or bolts unless instructed.
- * After a few days from initial assembly, the product may have acclimated to the new environment. Please retighten the hardware.

Guideline For Assembling of Cam Lock(A & B)






Screw camlock bolt (A) to wood part.

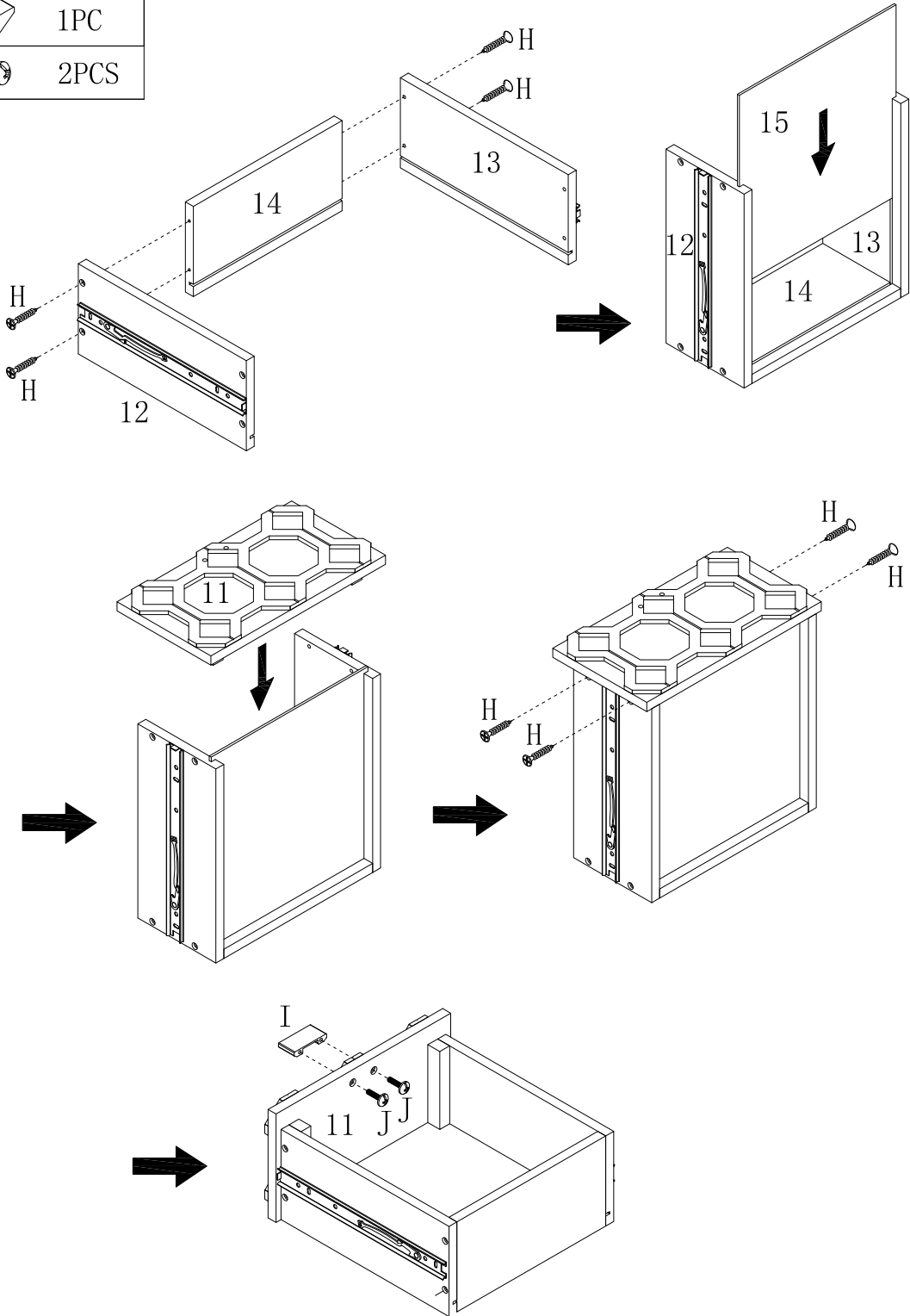
Do not assemble camlock (B) unless instructed.

To assemble camlock (B), ensure long side of the + is facing the bolt (A) before inserting into hole.

ASSEMBLY INSTRUCTION



STEP 1

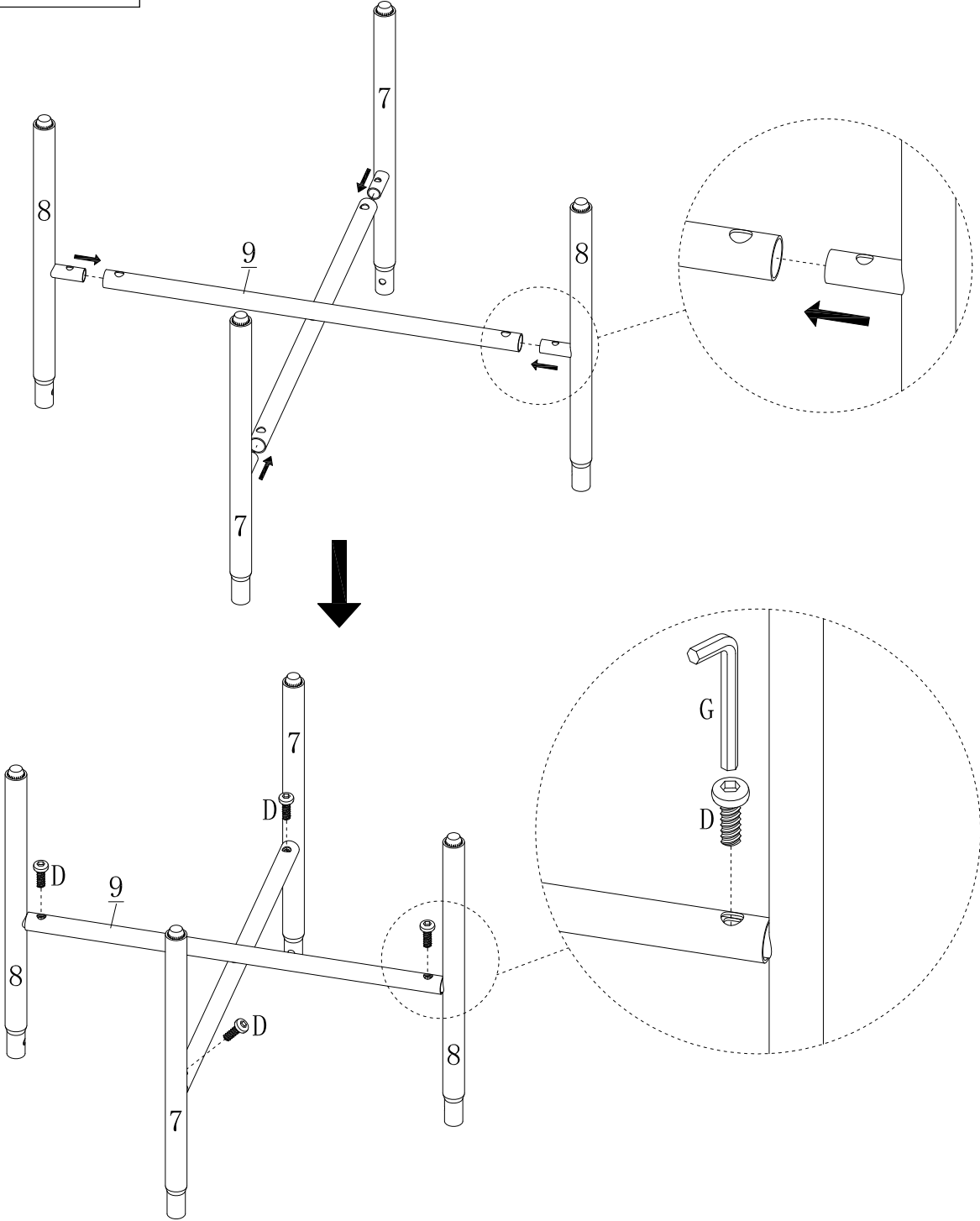
H:		8PCS
I:		1PC
J:		2PCS



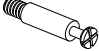


ASSEMBLY INSTRUCTION

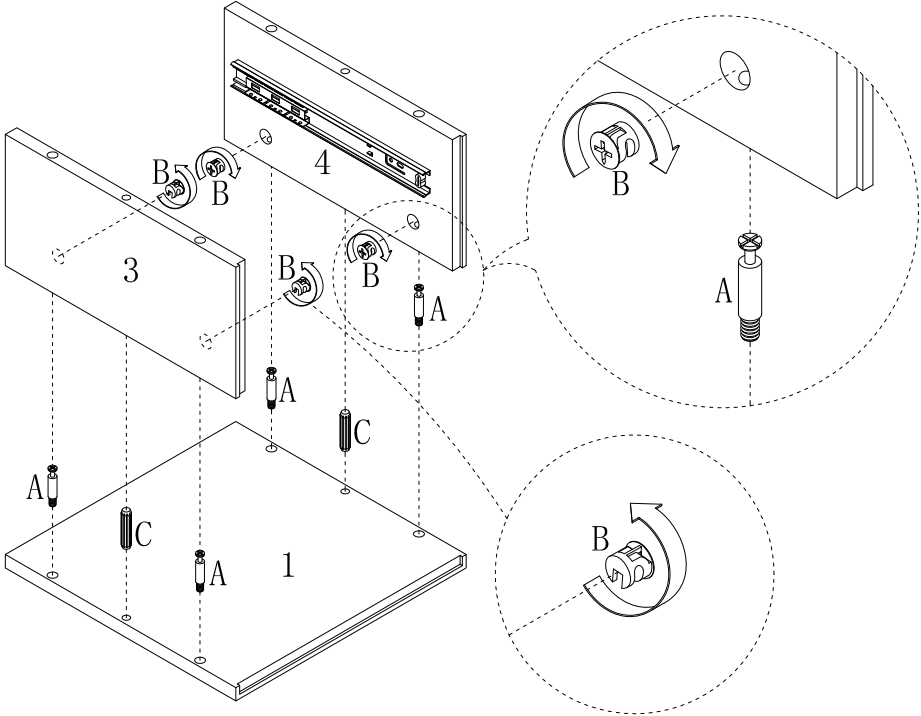
STEP 2

- D:  4PCS
- G:  1PC





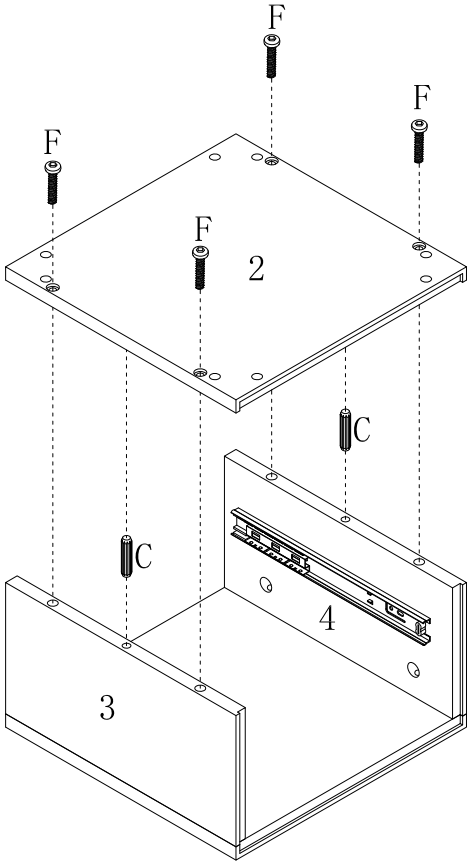
STEP 3

A:		4PCS
B:		4PCS
C:		2PCS



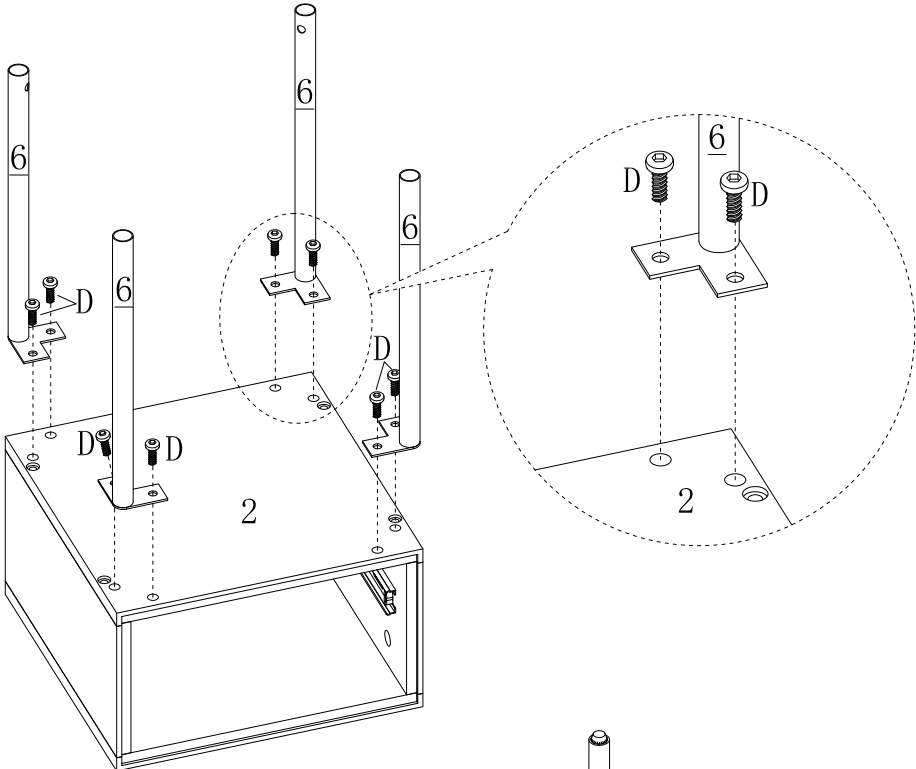
STEP 4

C:		2PCS
F:		4PCS

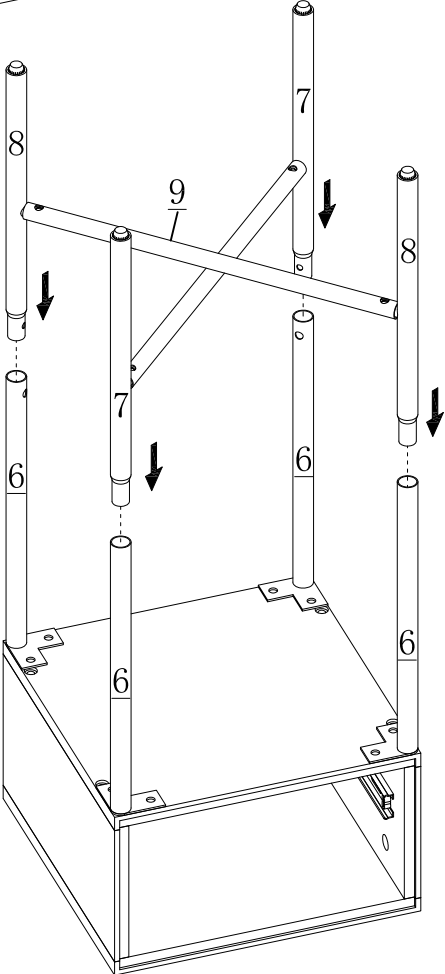


STEP 5


D:  8PCS

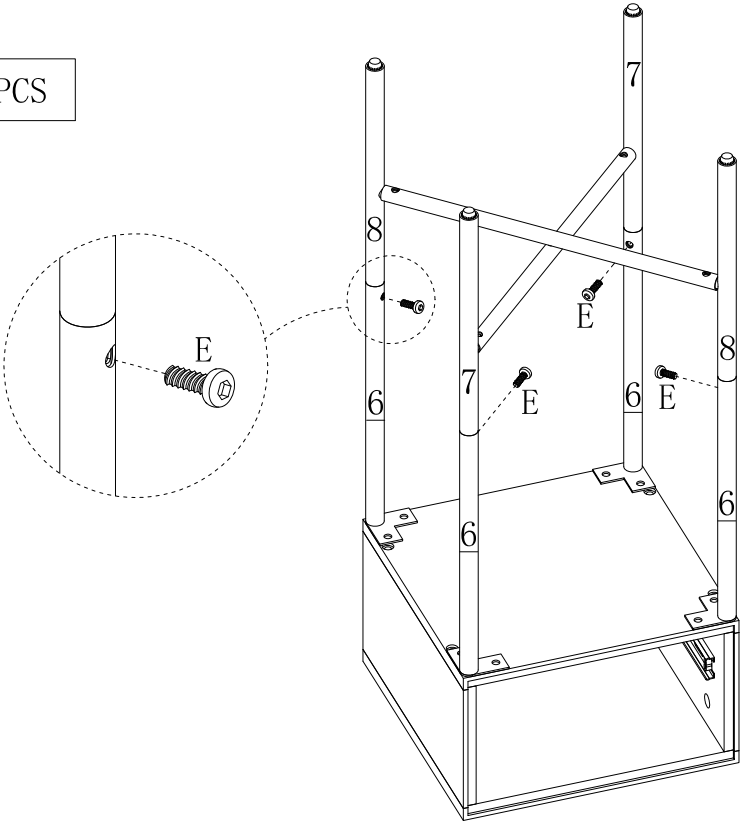


STEP 6




STEP 7

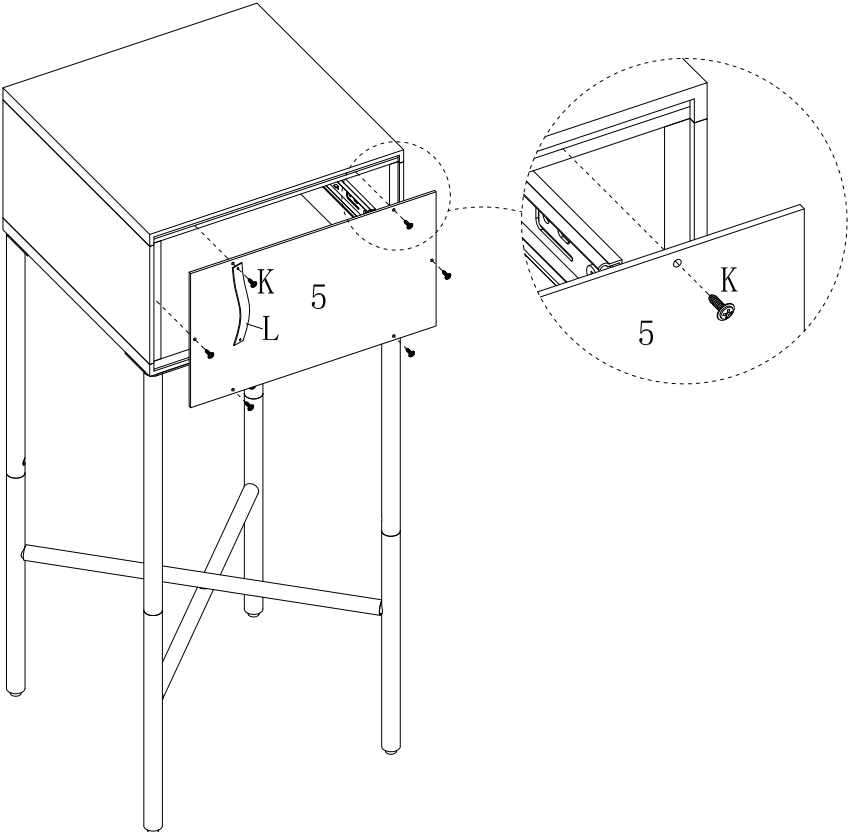
E:  4PCS



STEP 8

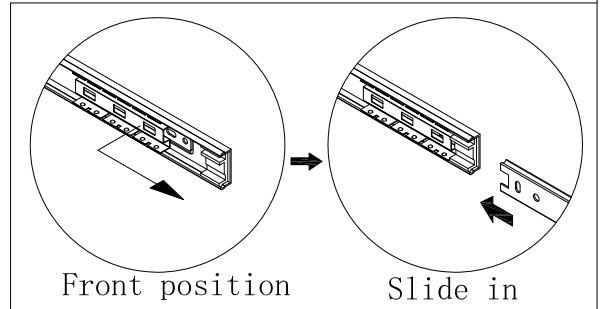
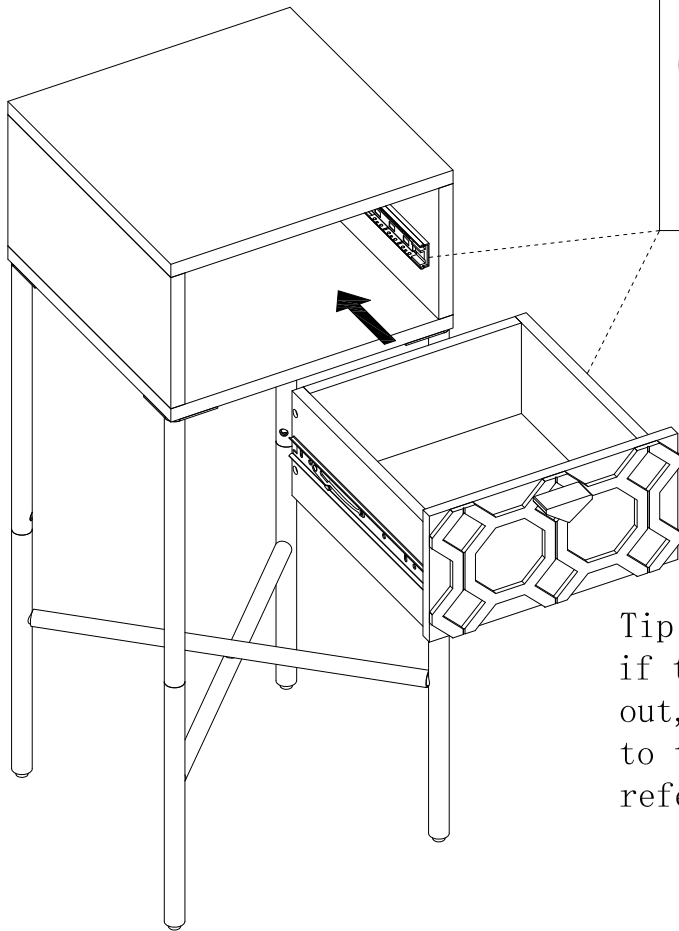
K:  6PCS

L:  1PC



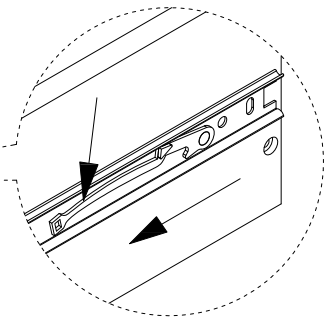
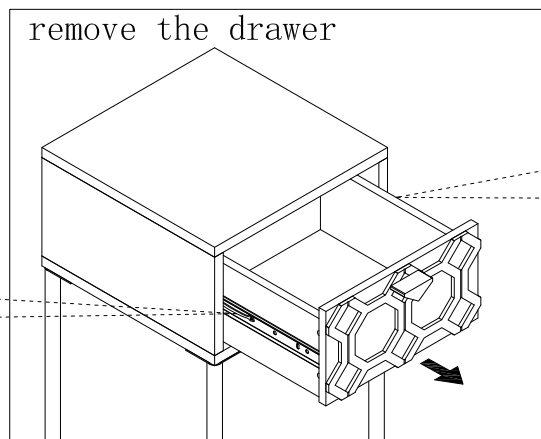
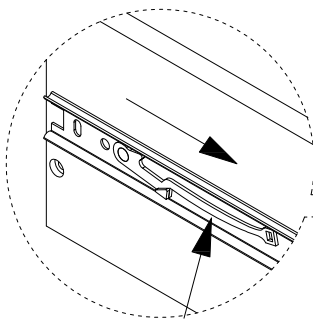
STEP 9

Note: Place the slidable part to the front position before sliding in.






Tip: the front of the drawer, if there is tilt, do not force out, can be adjusted according to these two positions, please refer to the following steps.

remove the drawer

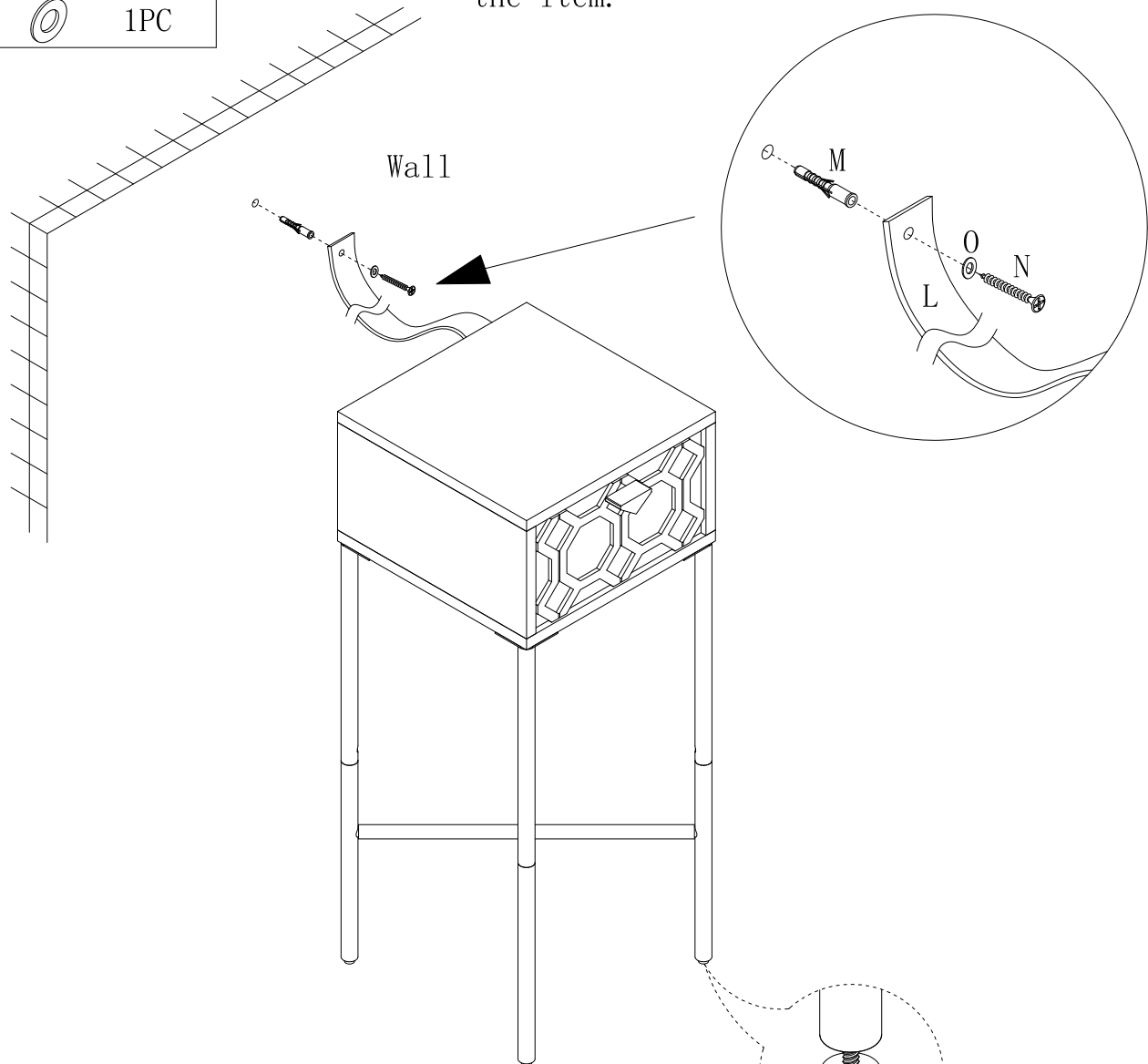


ASSEMBLY INSTRUCTION

STEP 10

M:		1PC
N:		1PC
O:		1PC

For safety reasons, it is recommended to install safety wall strap to fix the item.



After installation, adjust the adjustable foot to keep the table balanced.