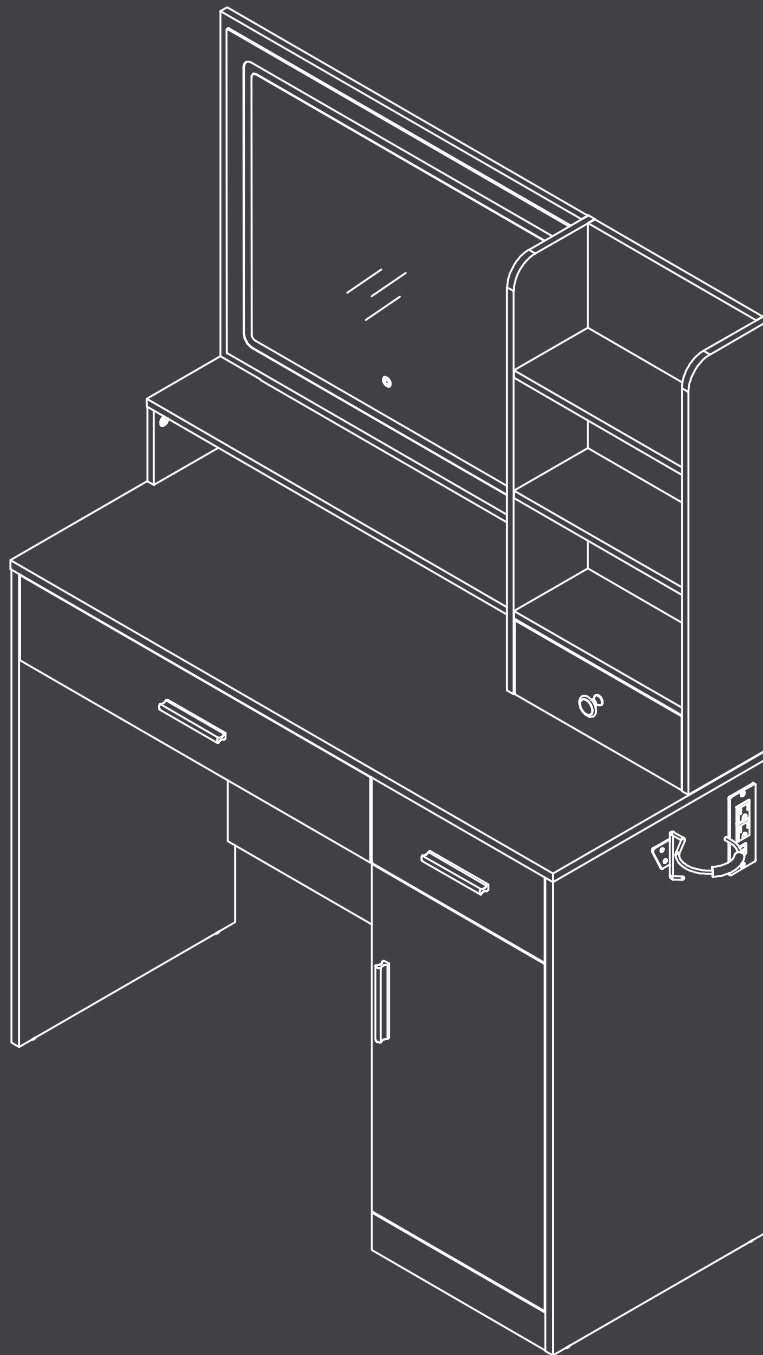


Vanity Desk

Instruction Manual

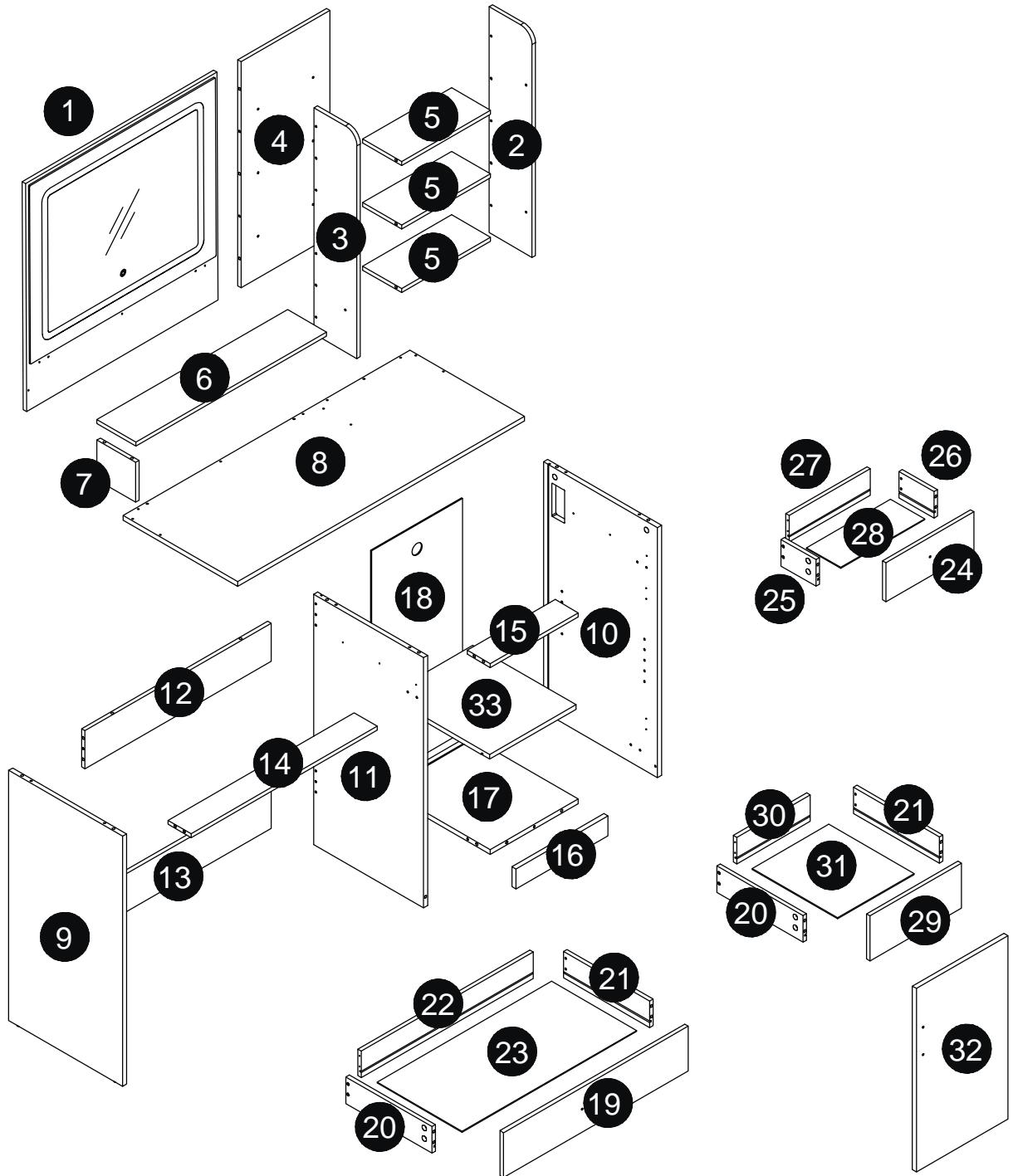
FB-SZT2CDD-WT



 EST 9:00AM--17:00PM

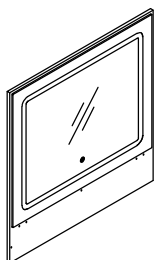
 HJ-Customer-Service@outlook.com

 (909)637-7665 | (909)637-7593



1 Component List

1 X1



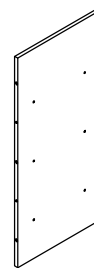
2 X1



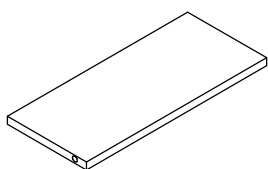
3 X1



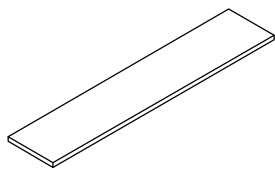
4 X1



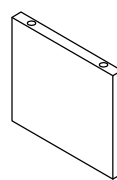
5 X3



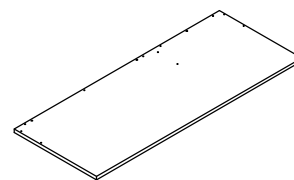
6 X1



7 X1



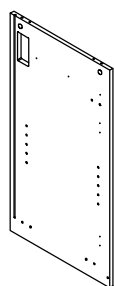
8 X1



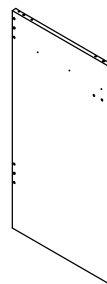
9 X1



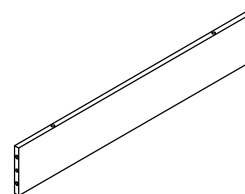
10 X1



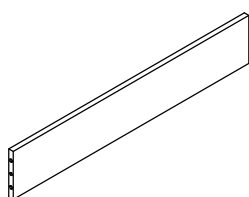
11 X1



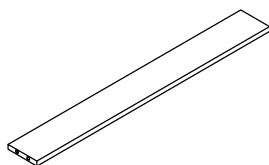
12 X1



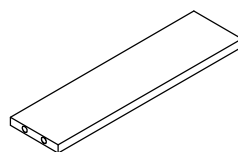
13 X1



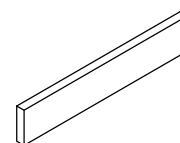
14 X1



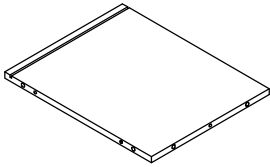
15 X1



16 X1



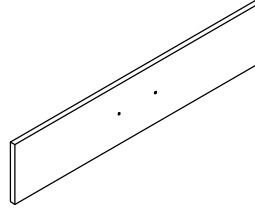
17 X1



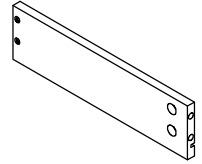
18 X1



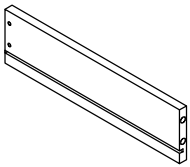
19 X1



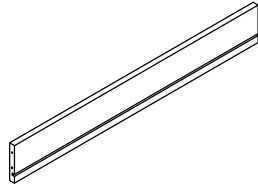
20 X2



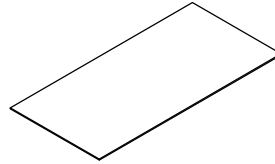
21 X2



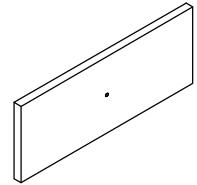
22 X1



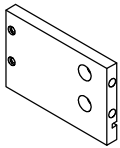
23 X1



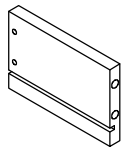
24 X1



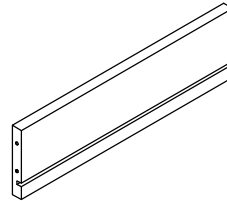
25 X1



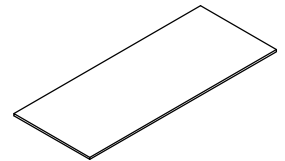
26 X1



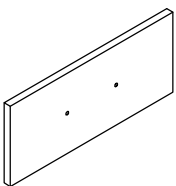
27 X1



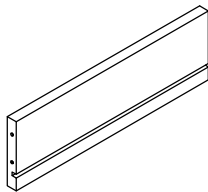
28 X1



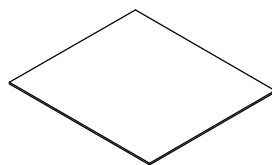
29 X1



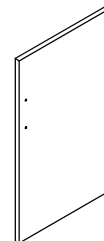
30 X1



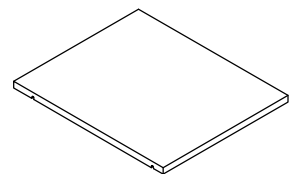
31 X1



32 X1



33 X1



2 Supplied Parts and Hardware

A X73+2



Ø6x34mm

B X73+2



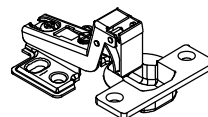
Ø15x9.5mm

C X26+2



Ø6x30mm

D X2



Ø35mm

E X12+1



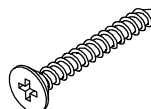
Nickel color
Ø3.5x12mm

F X24+1



Ø3.5x12mm

G X23+1



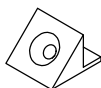
Ø4*30mm

I X4



Ø4x15mm

J X4



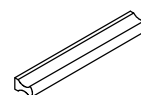
K X4



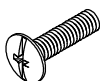
L X1



M X3



N X2



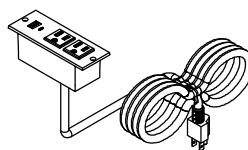
Ø5/23"x17mm

O X5

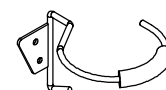


Ø5/23"x15mm

P X1



Q X1

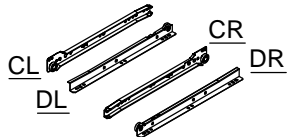


R X1SET

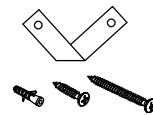
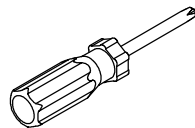
S X2SETS

T X1

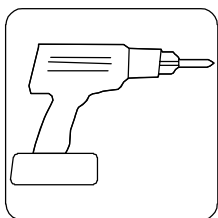
U X2SETS



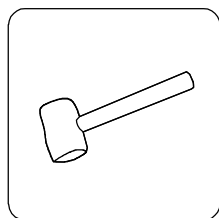
L300mm



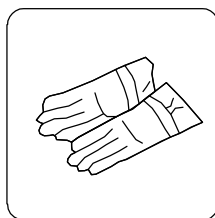
Please have the following auxiliary tools ready:
Bitte halten Sie folgende Hilfswerkzeuge bereit:
Veuillez préparer les outils auxiliaires suivants :
Si prega di avere pronti i seguenti strumenti ausiliari:
Por favor, tenga listas las siguientes herramientas auxiliares:



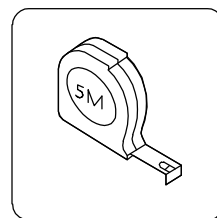
Electric Drill



Hammer



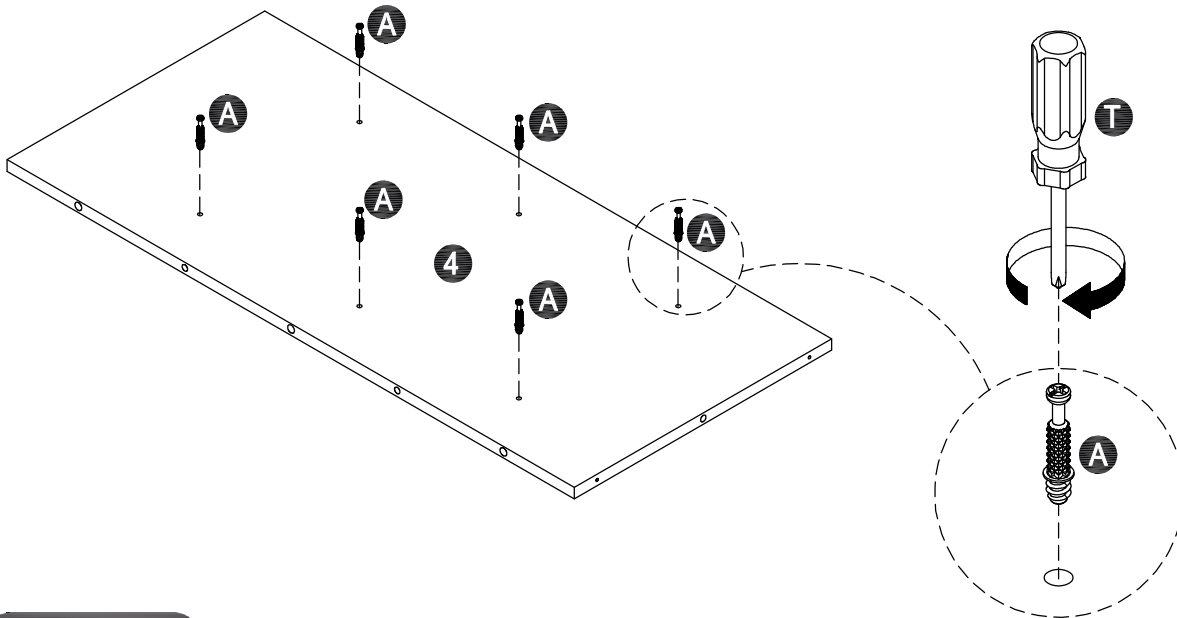
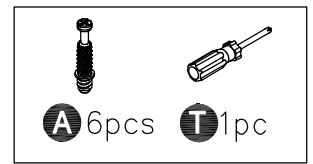
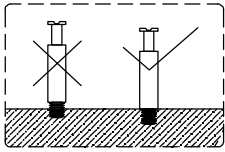
Gloves



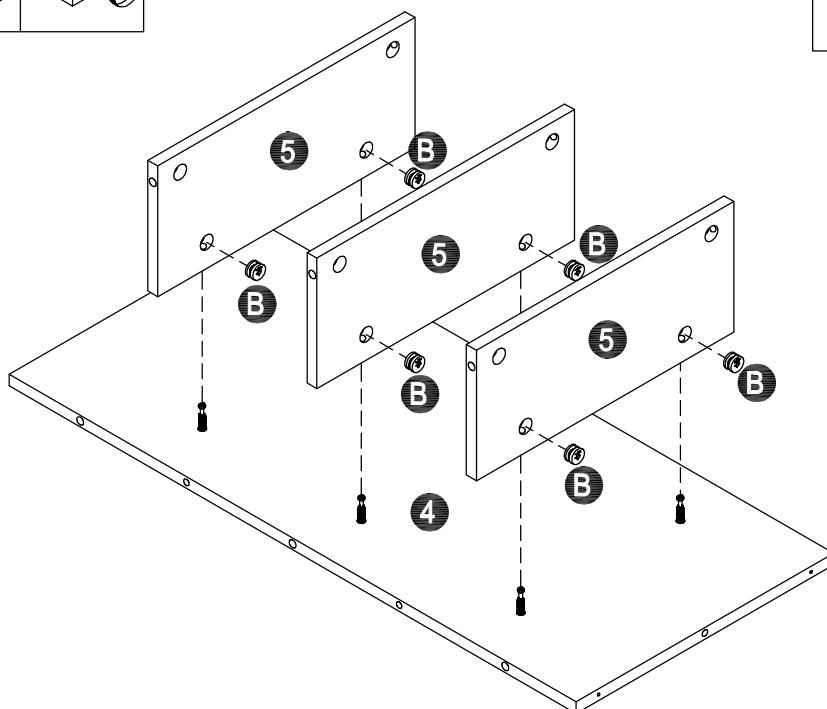
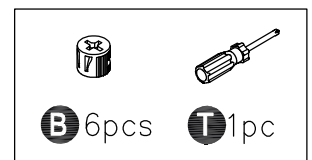
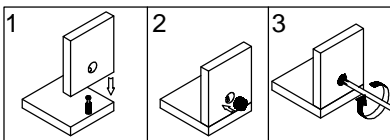
Tape Measure 5M

NOTE: This product requires at least two people for installation.

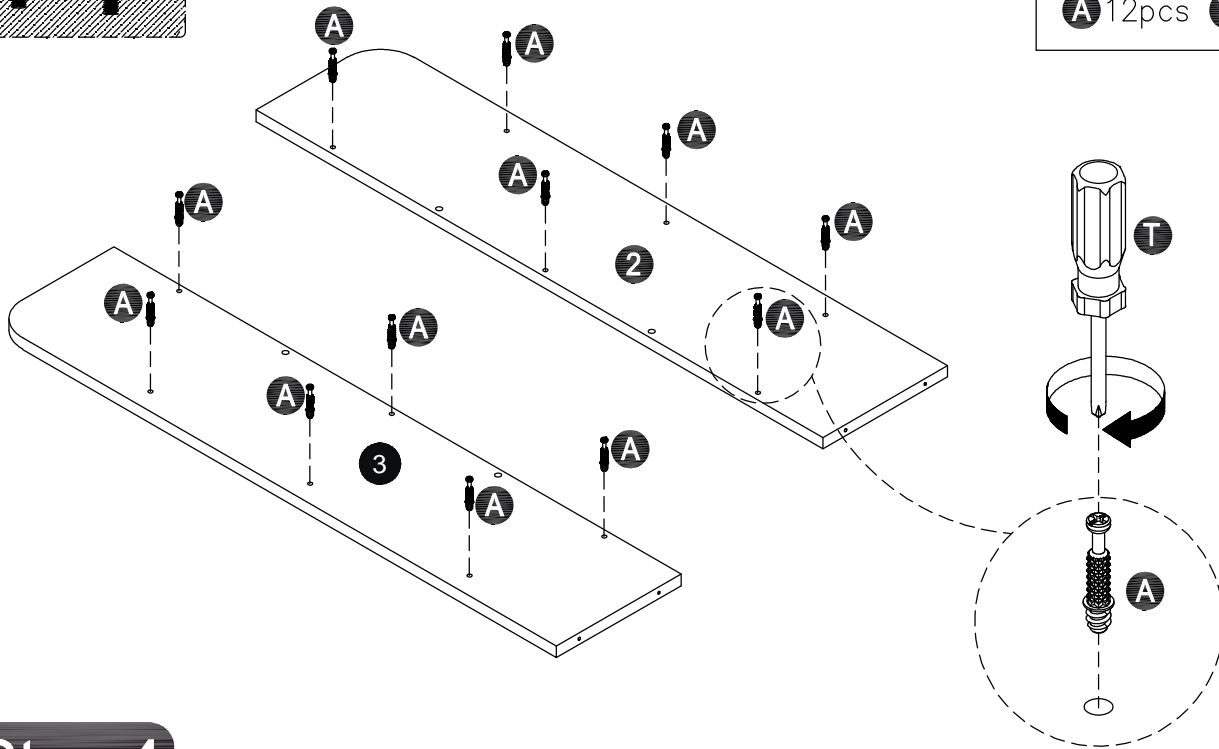
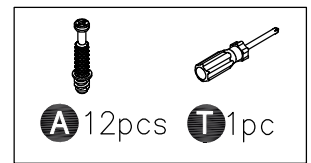
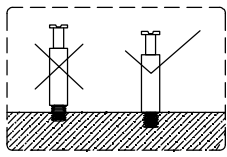
Step 1



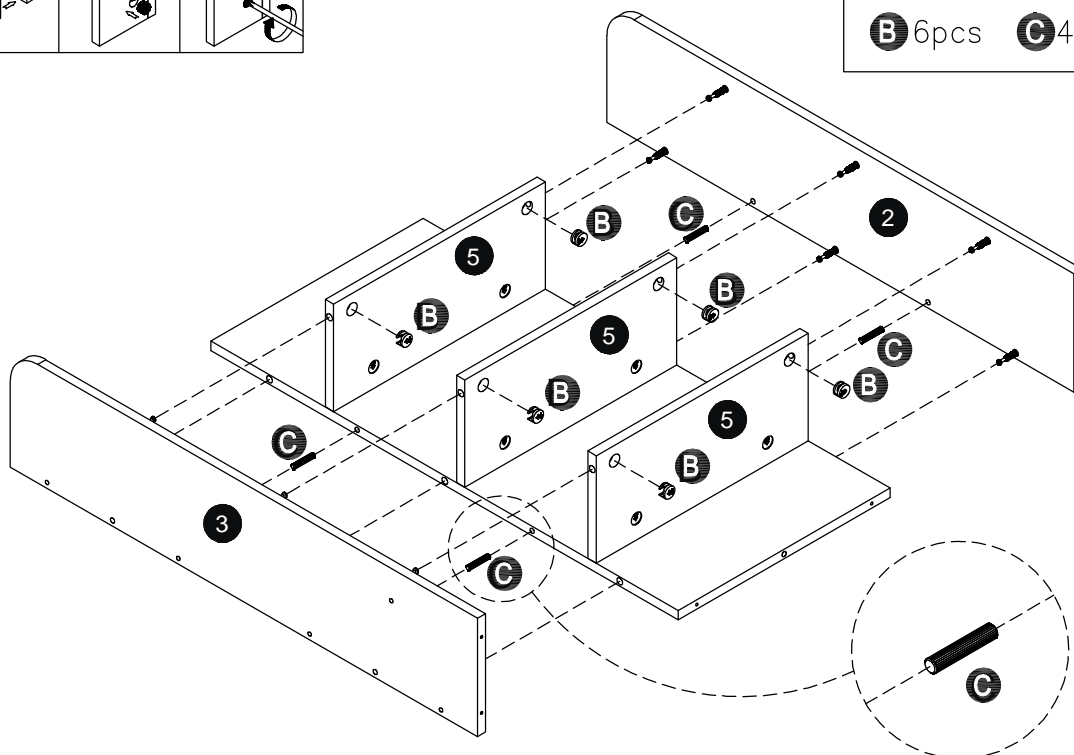
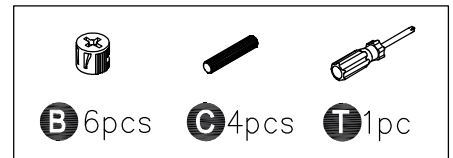
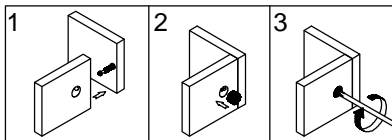
Step 2



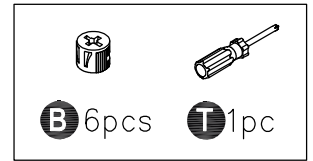
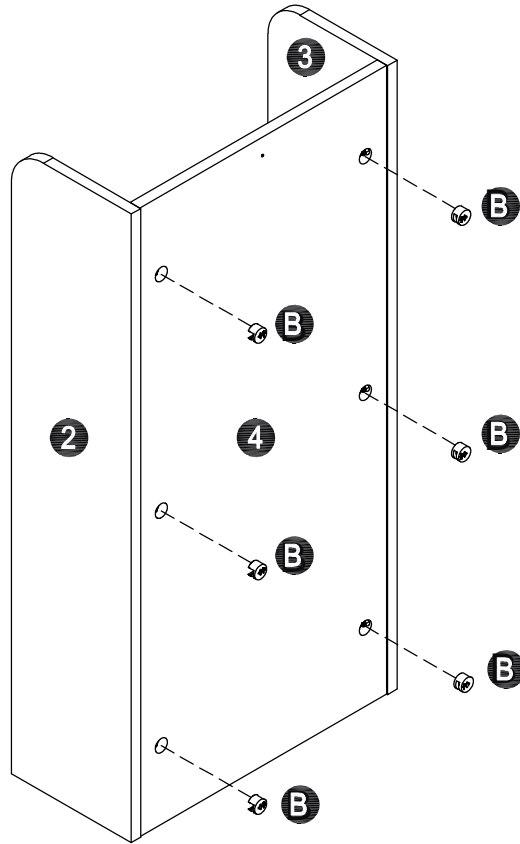
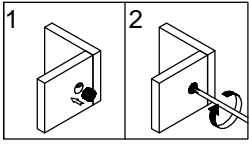
Step 3



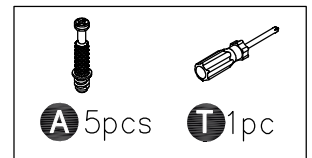
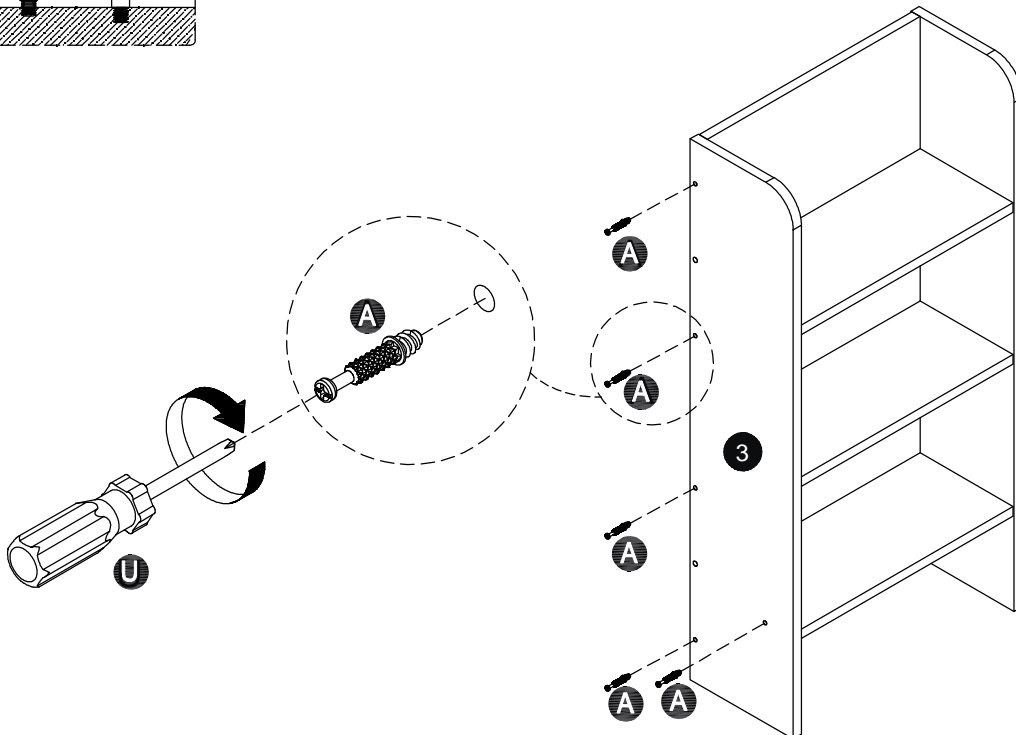
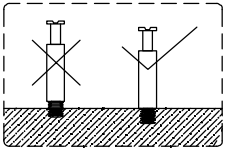
Step 4



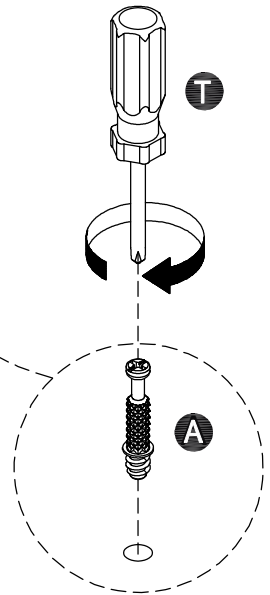
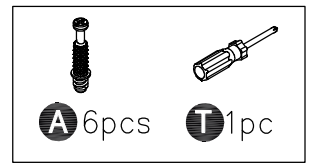
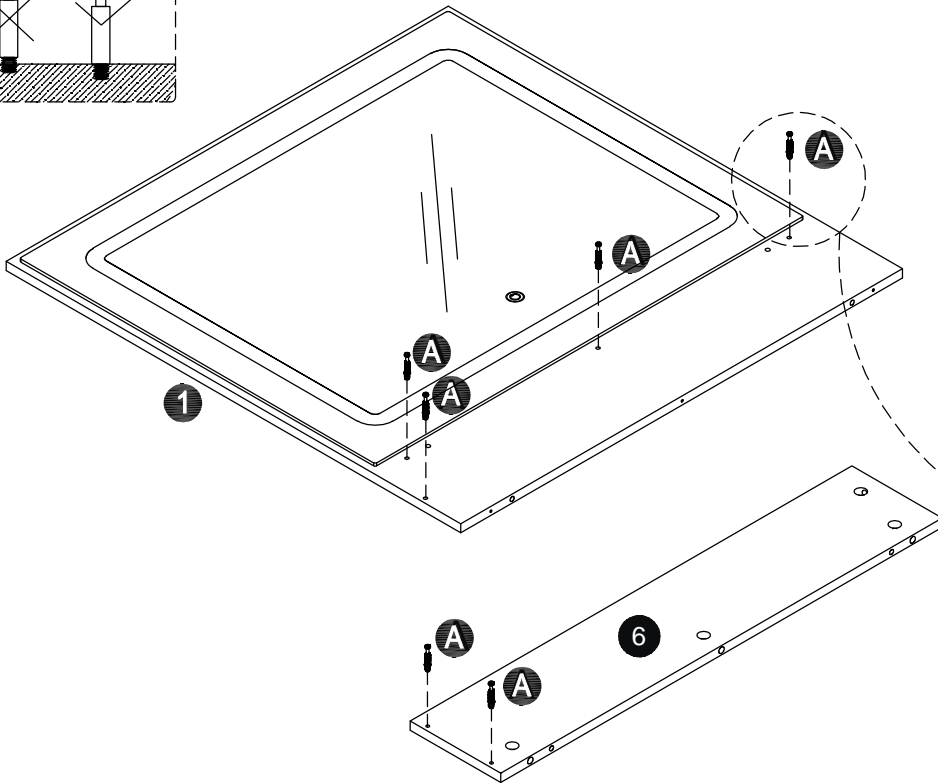
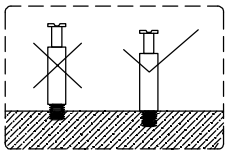
Step 5



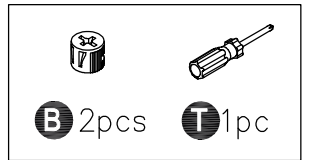
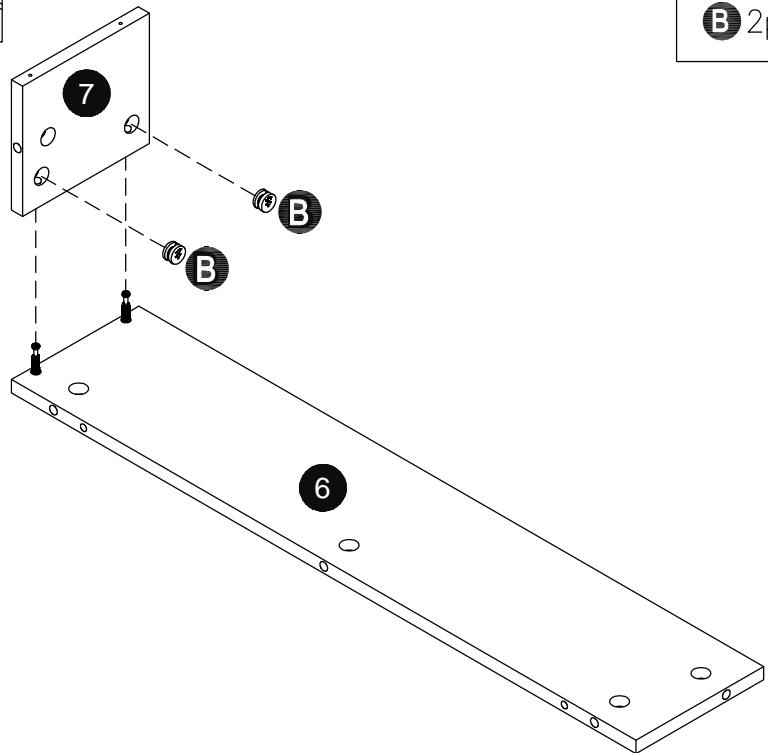
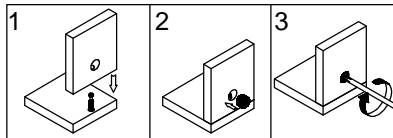
Step 6



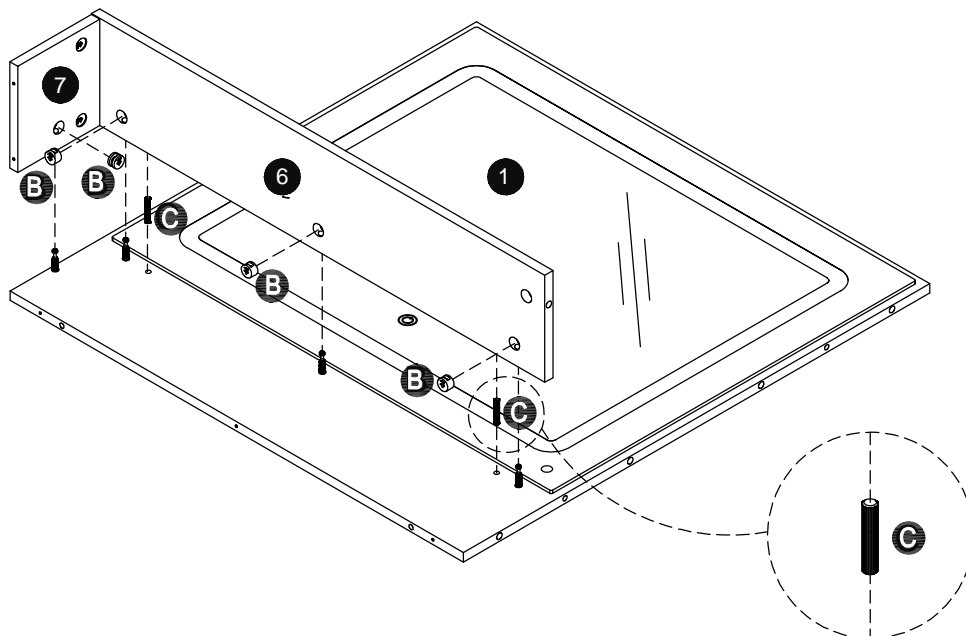
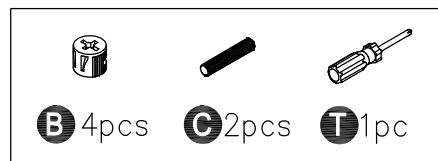
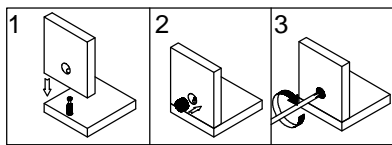
Step 7



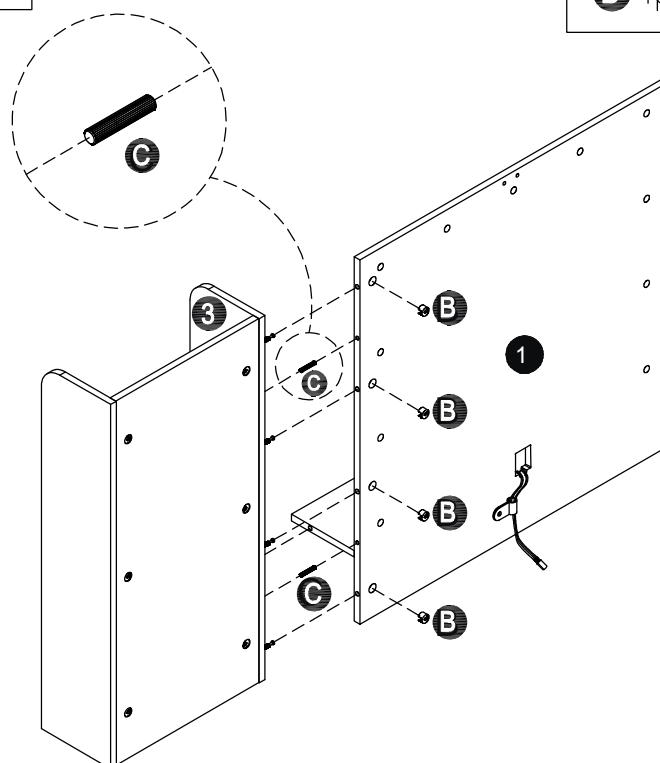
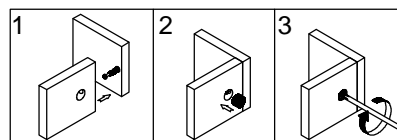
Step 8



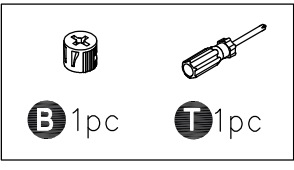
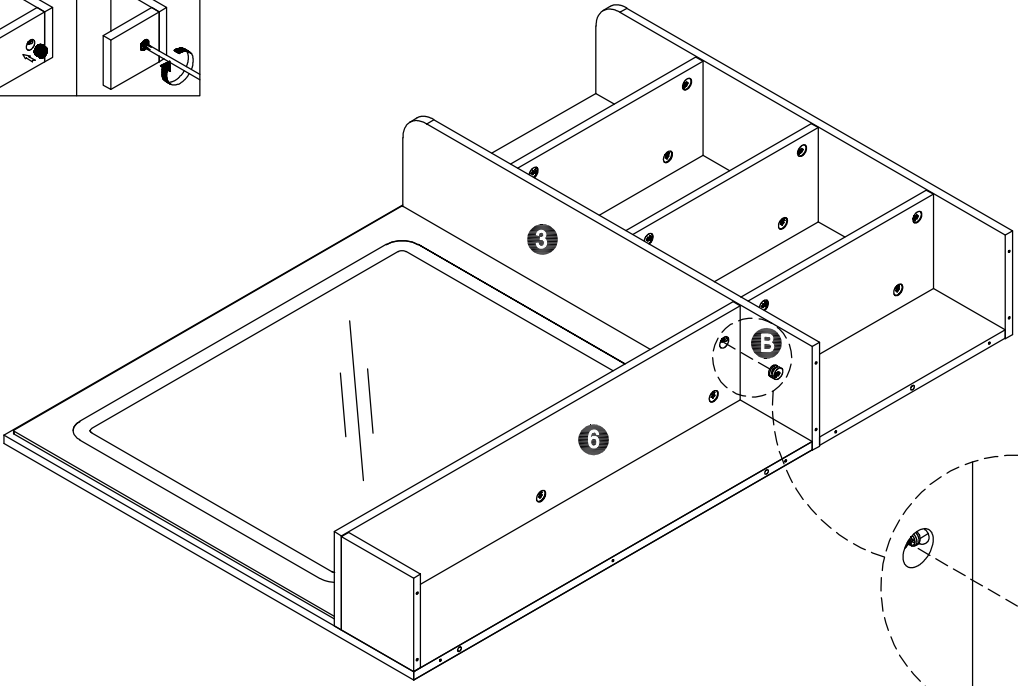
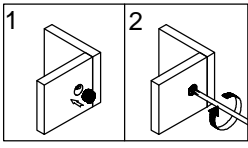
Step 9



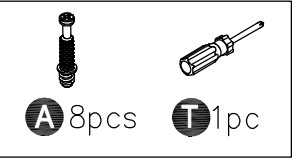
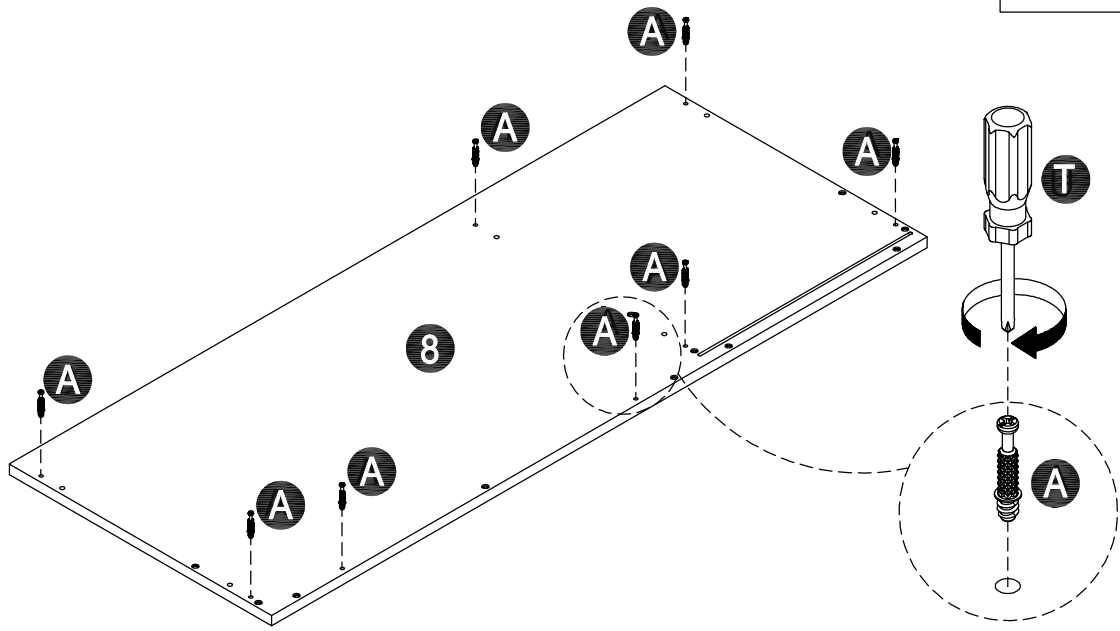
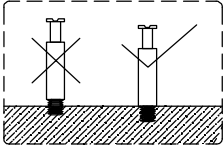
Step 10



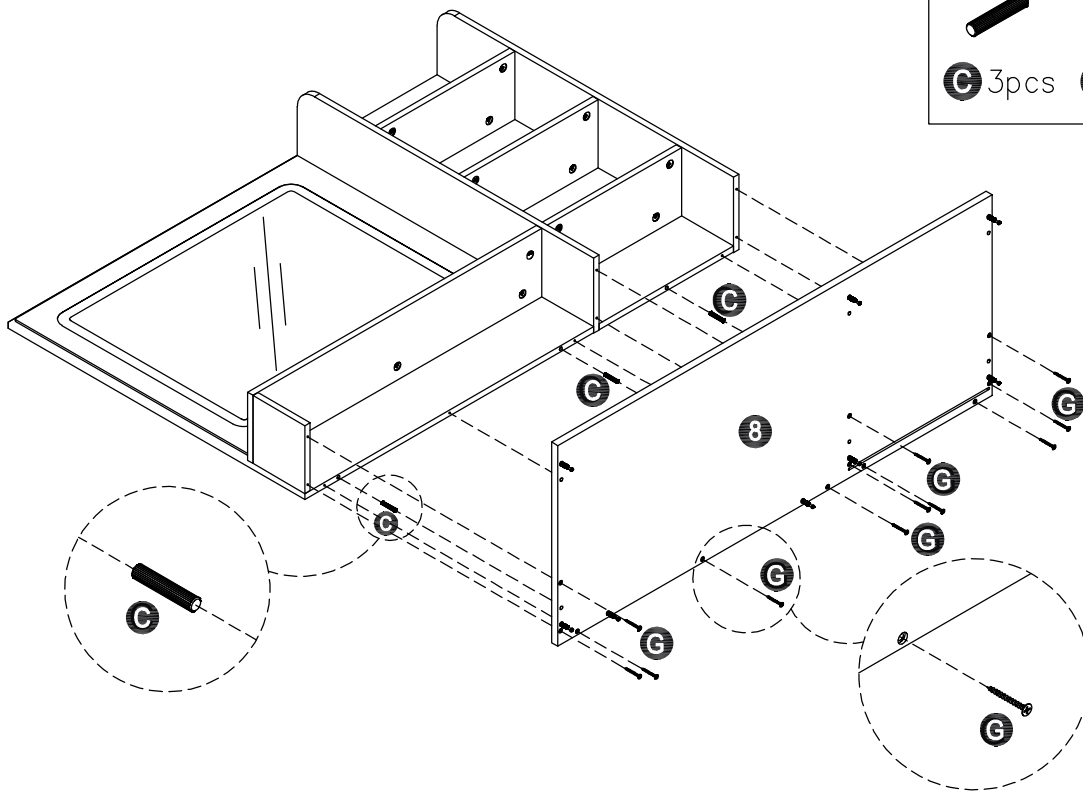
Step 11



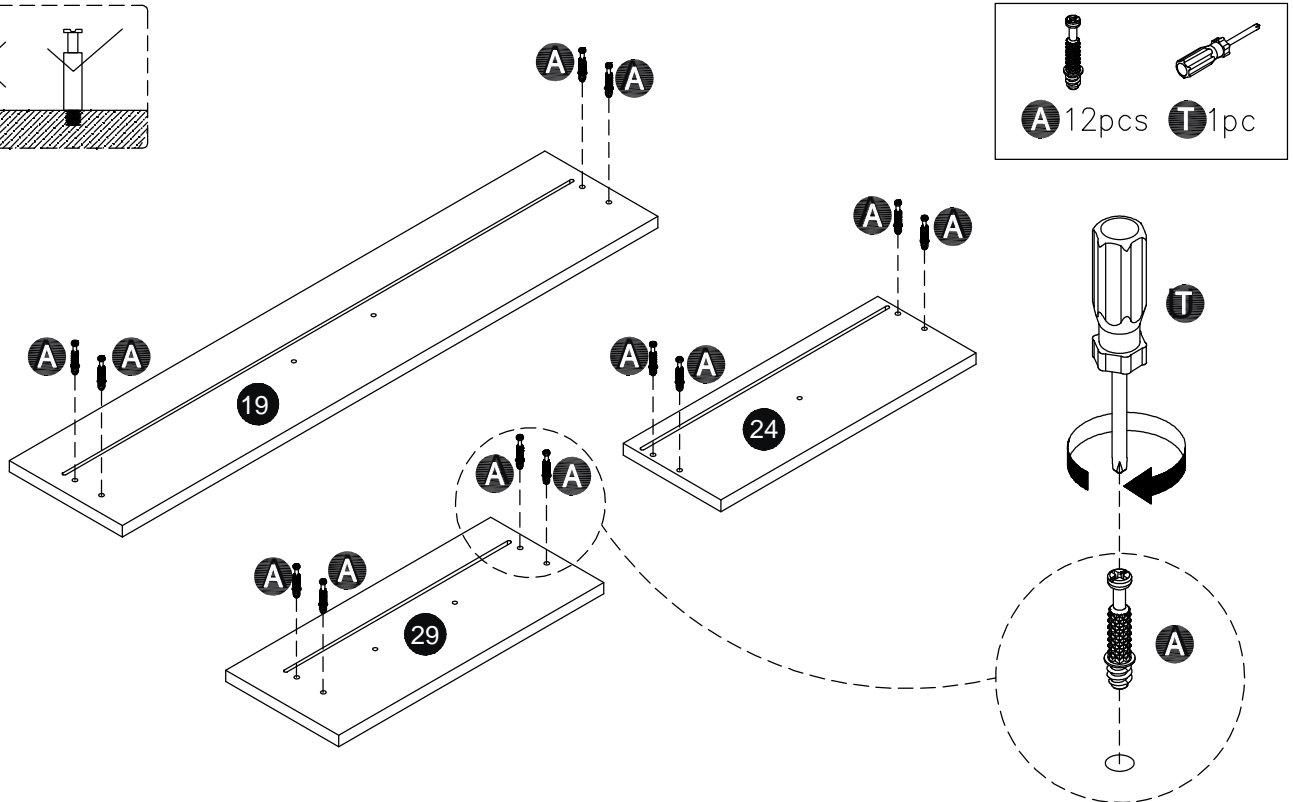
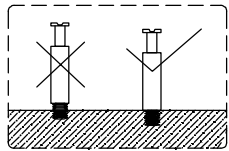
Step 12



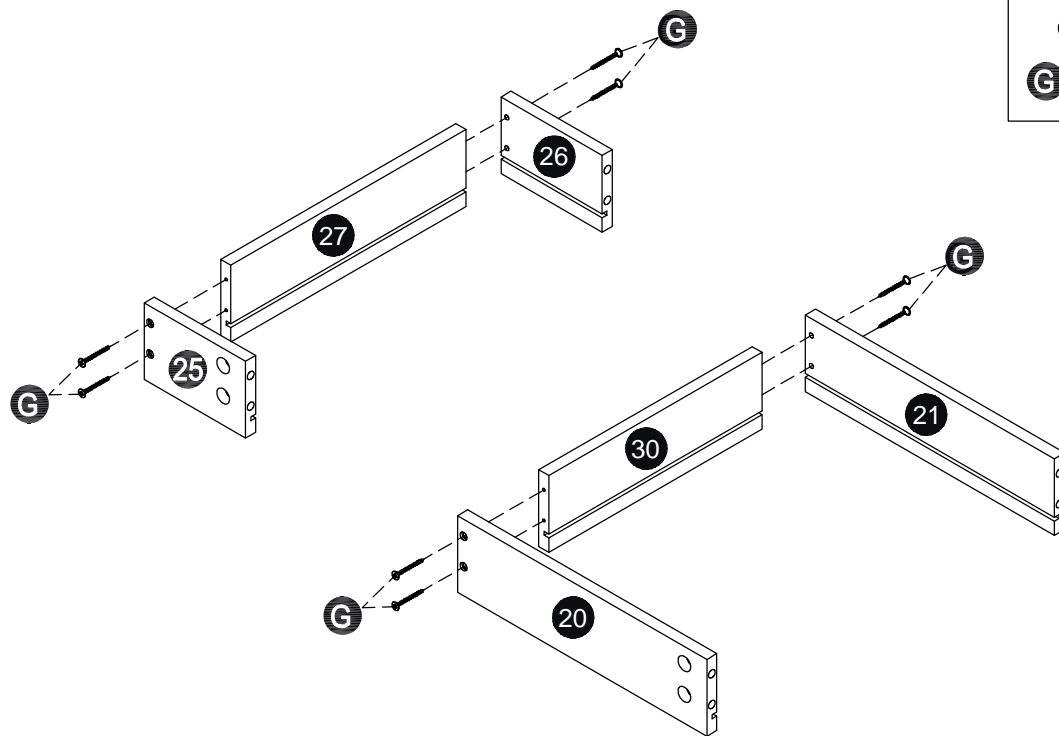
Step 13



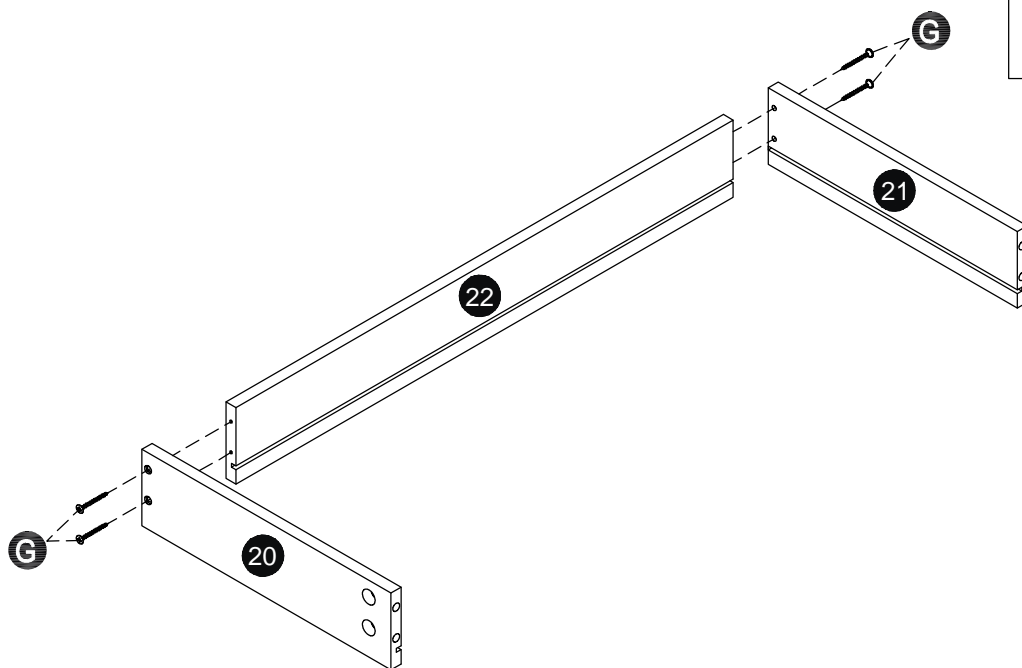
Step 14



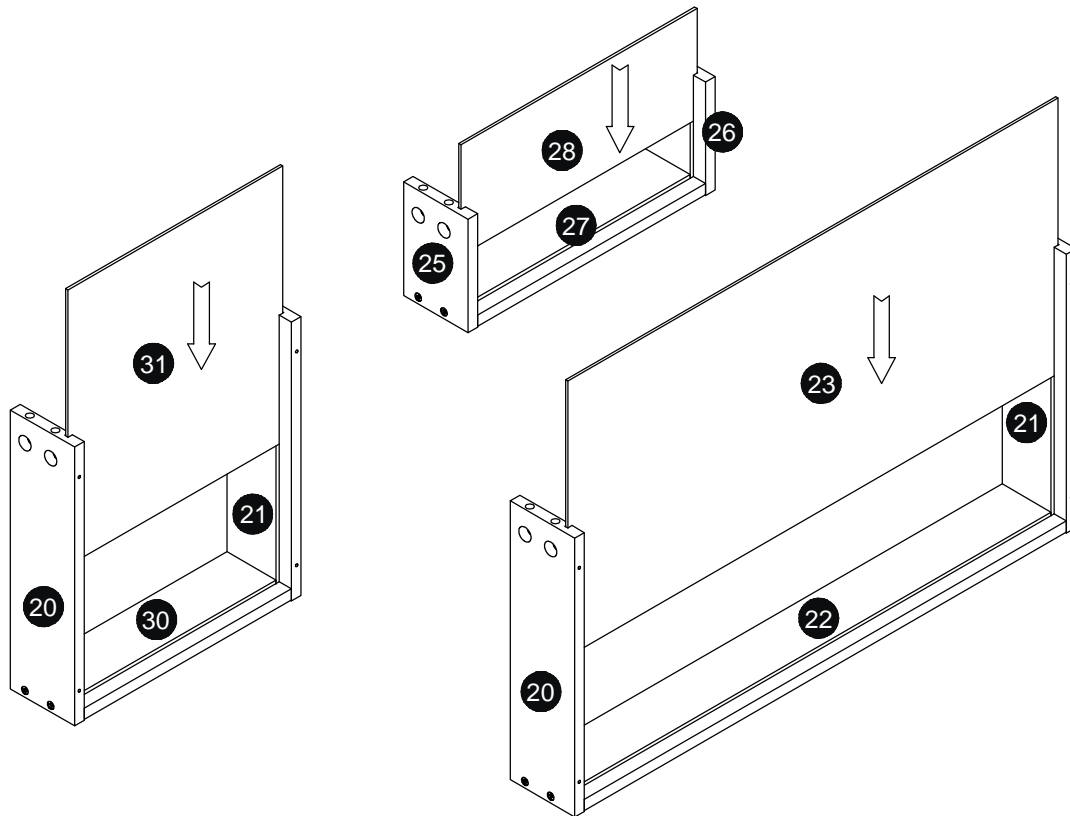
Step 15



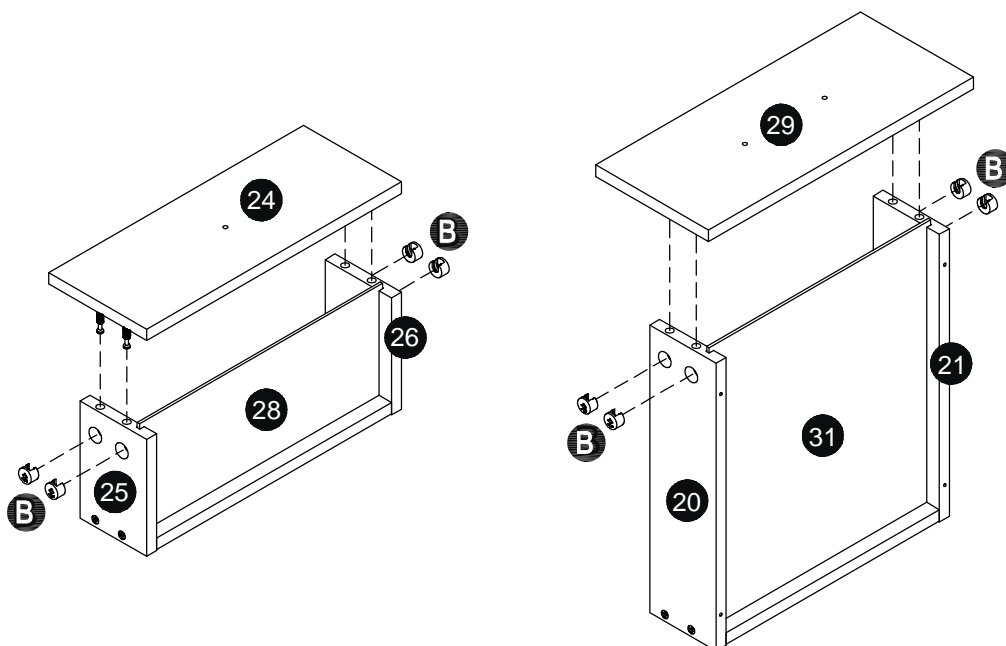
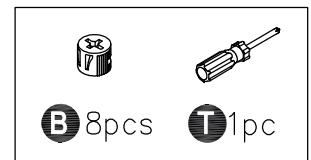
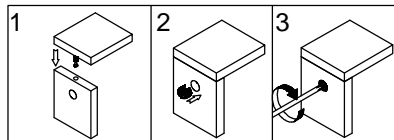
Step 16



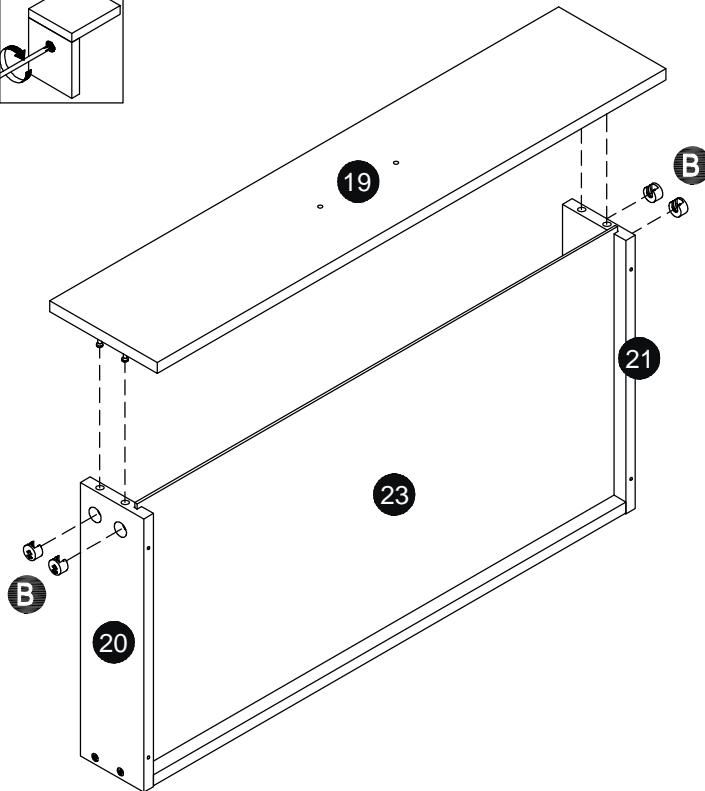
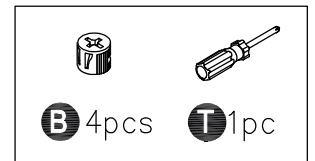
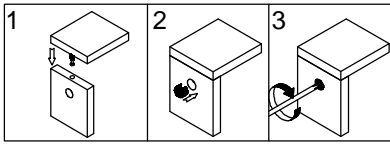
Step 17



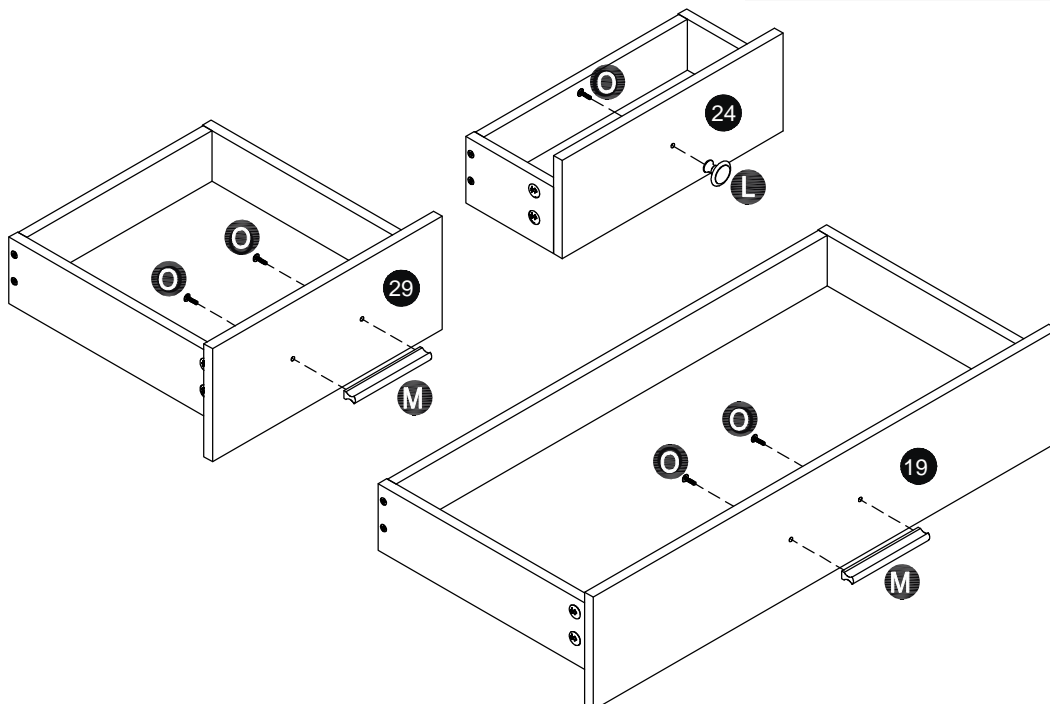
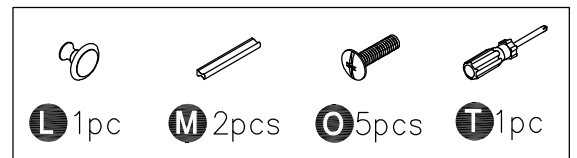
Step 18



Step 19

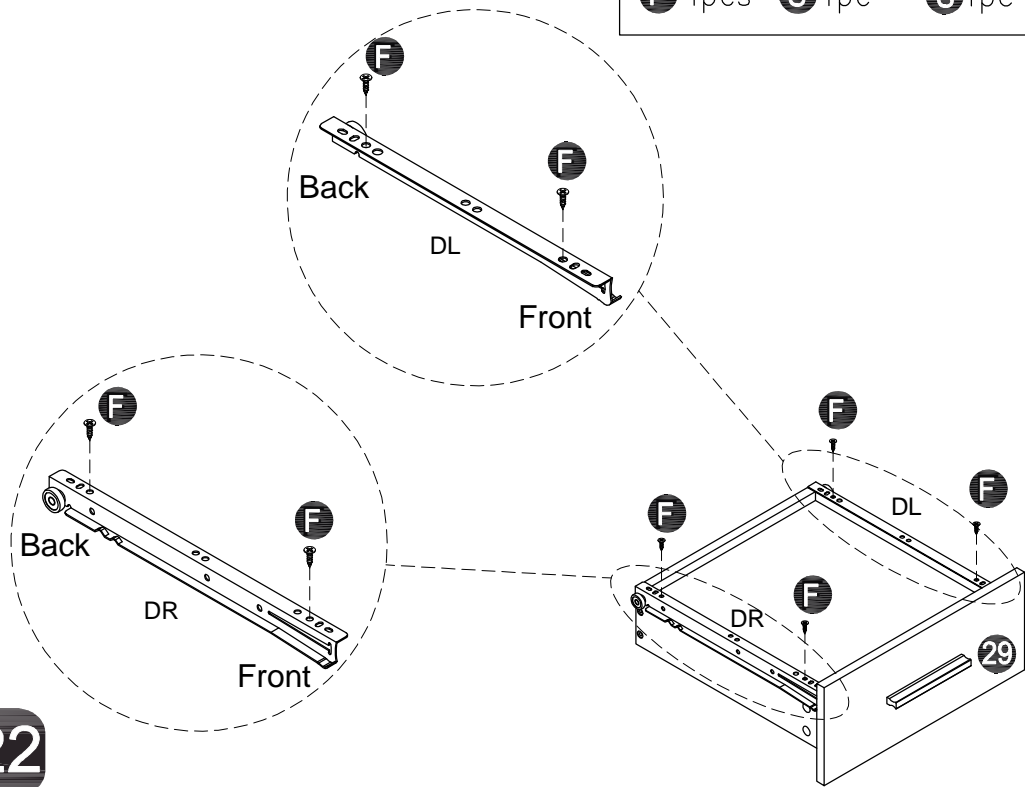
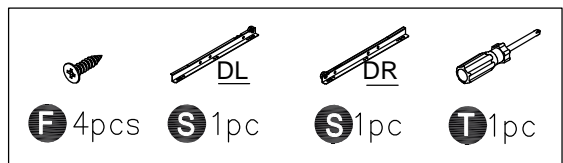


Step 20



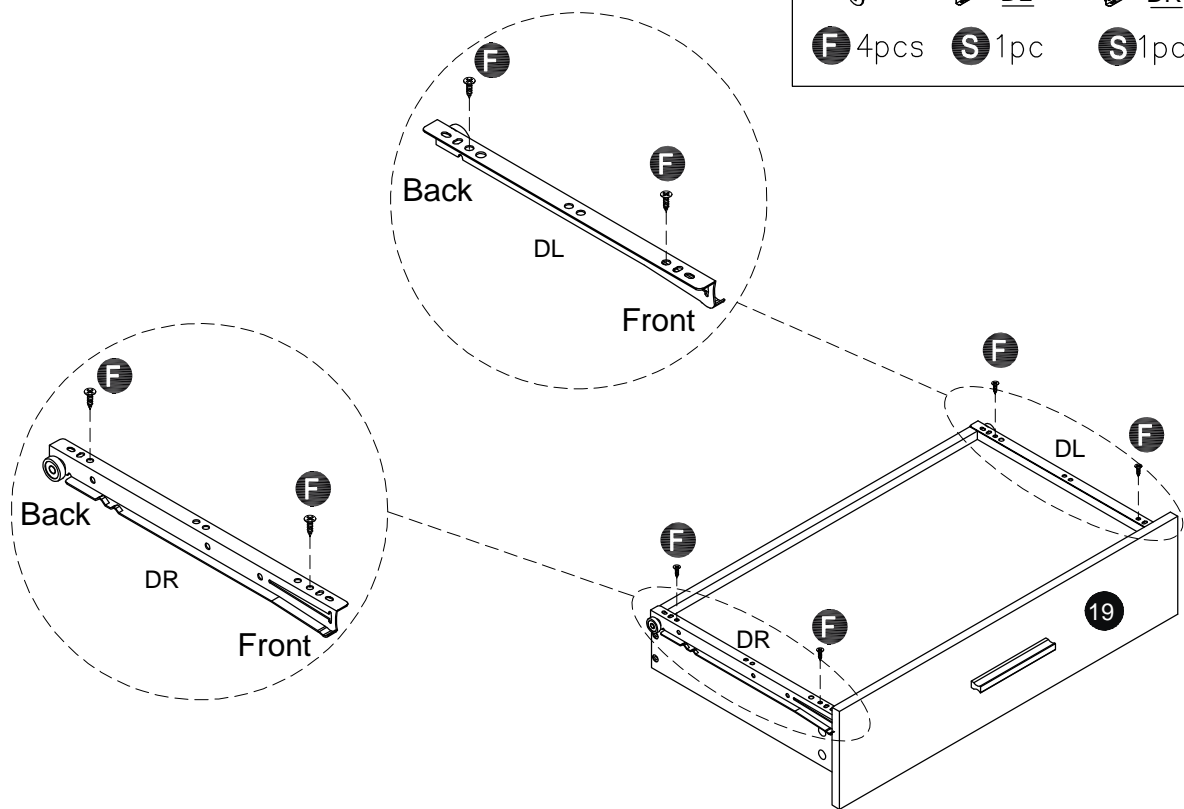
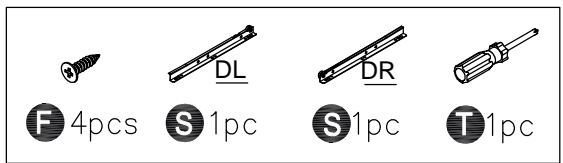
Step 21

NOTE: Turn the drawer over.

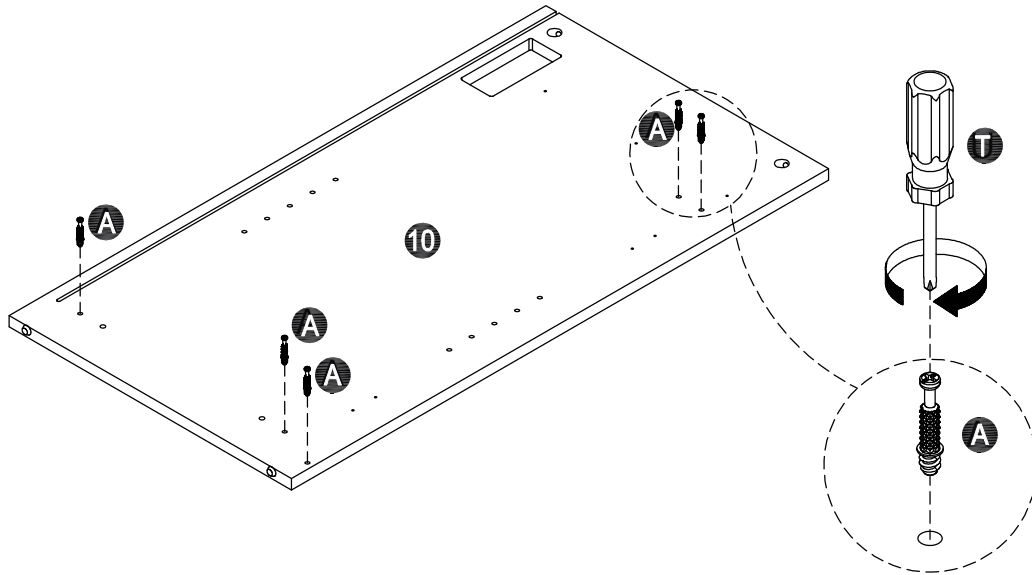
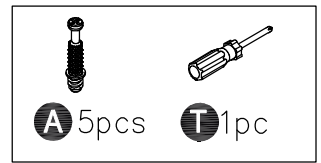


Step 22

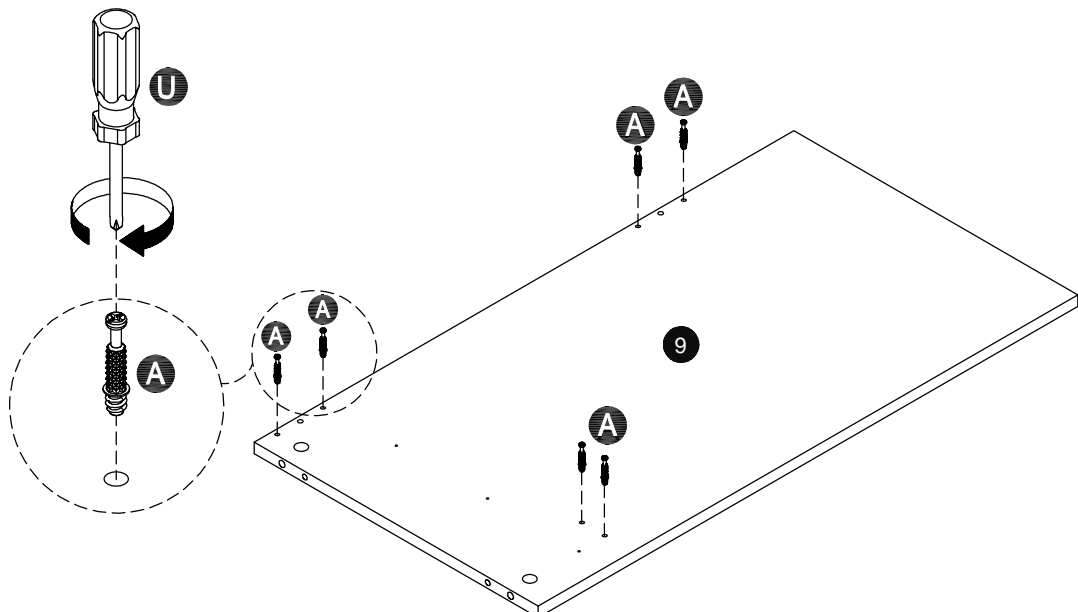
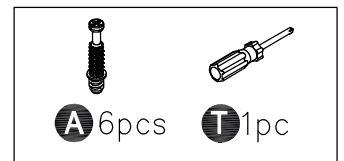
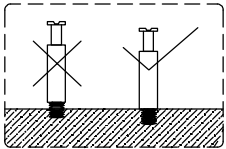
NOTE: Turn the drawer over.



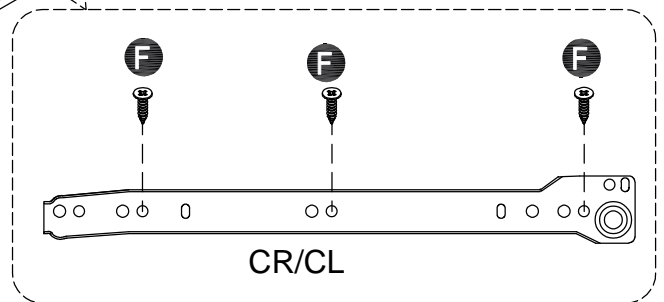
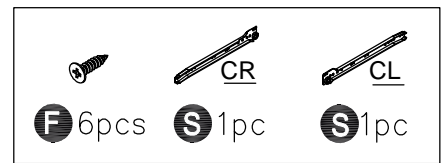
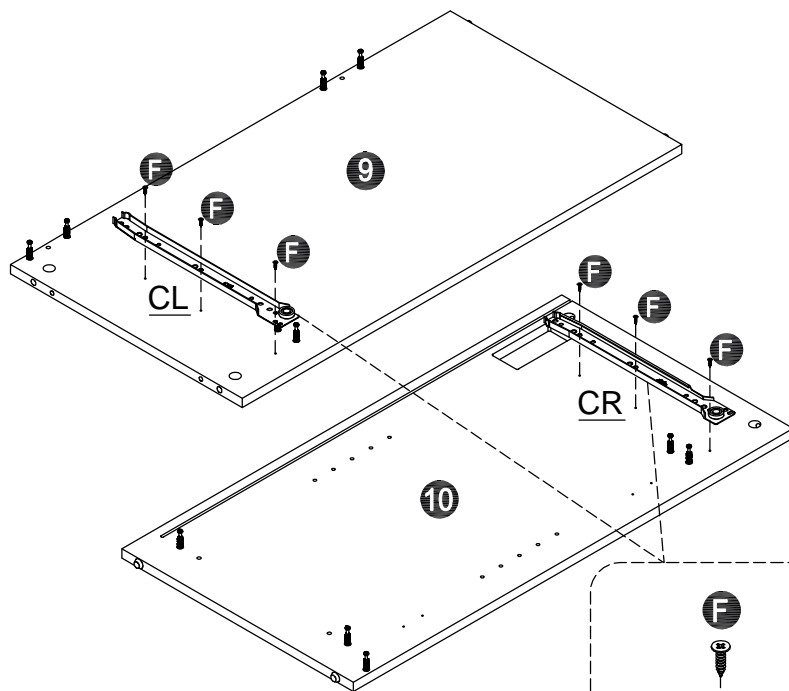
Step 23



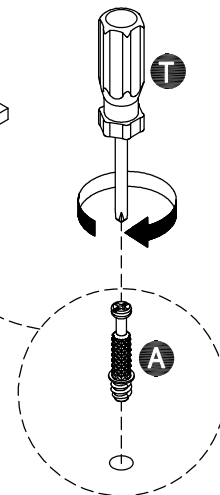
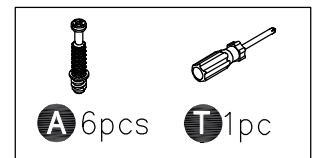
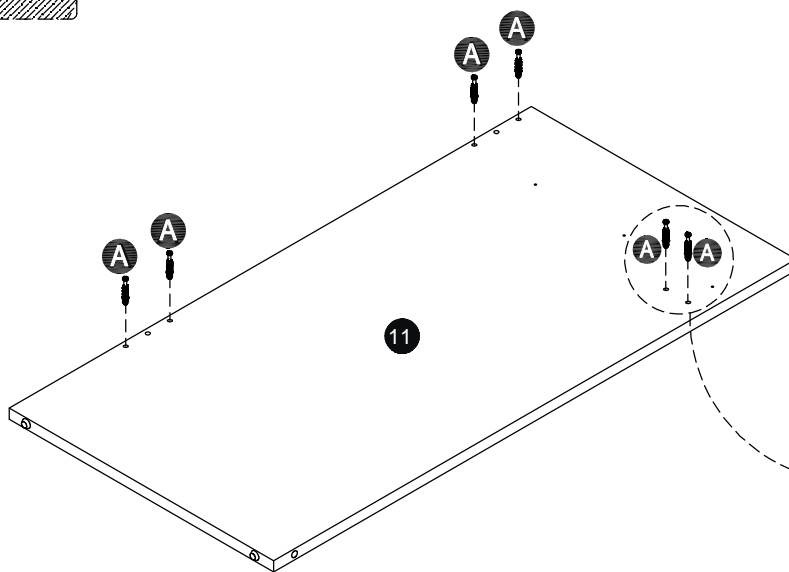
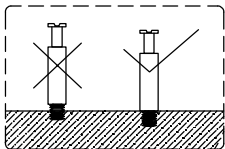
Step 24



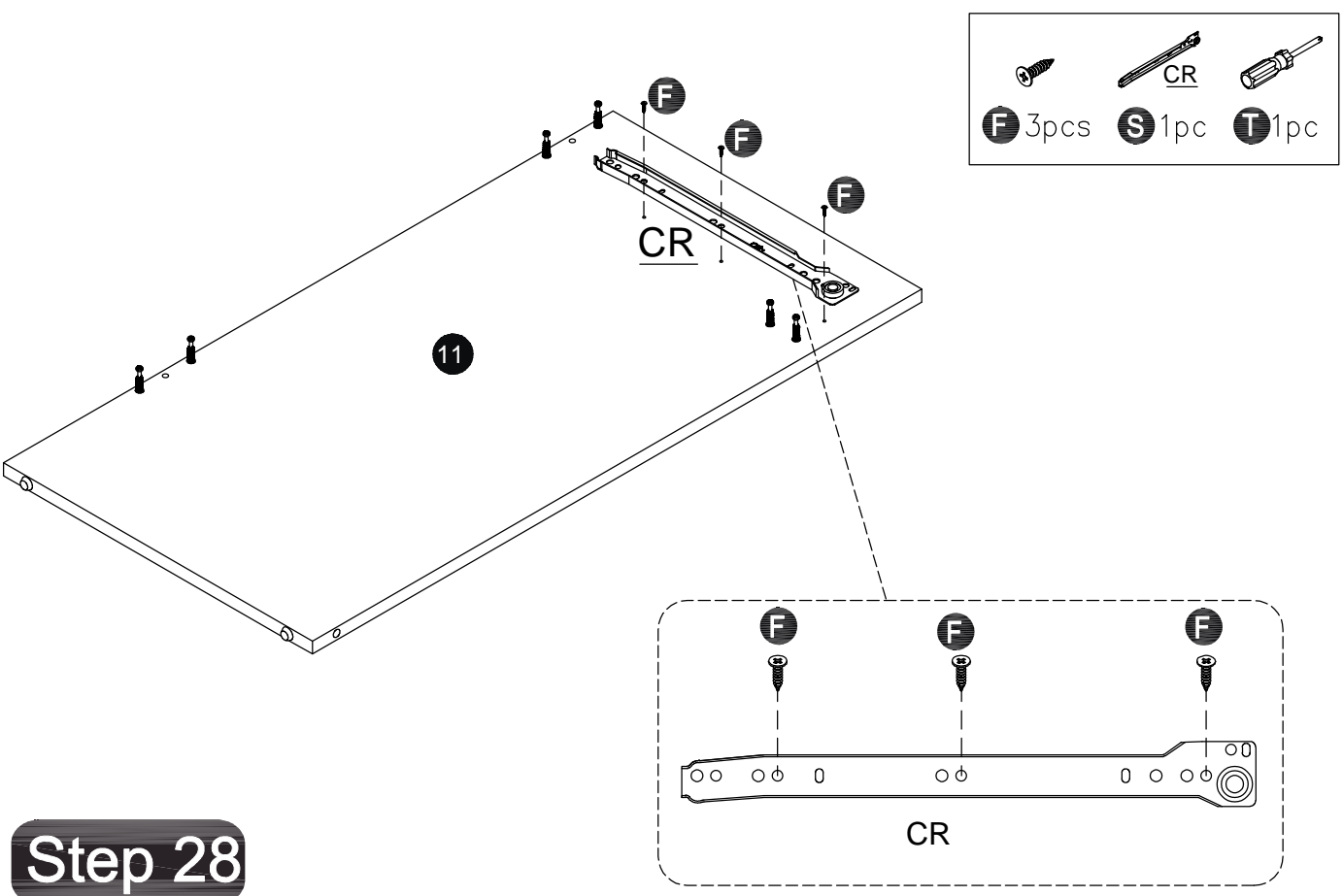
Step 25



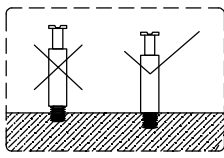
Step 26



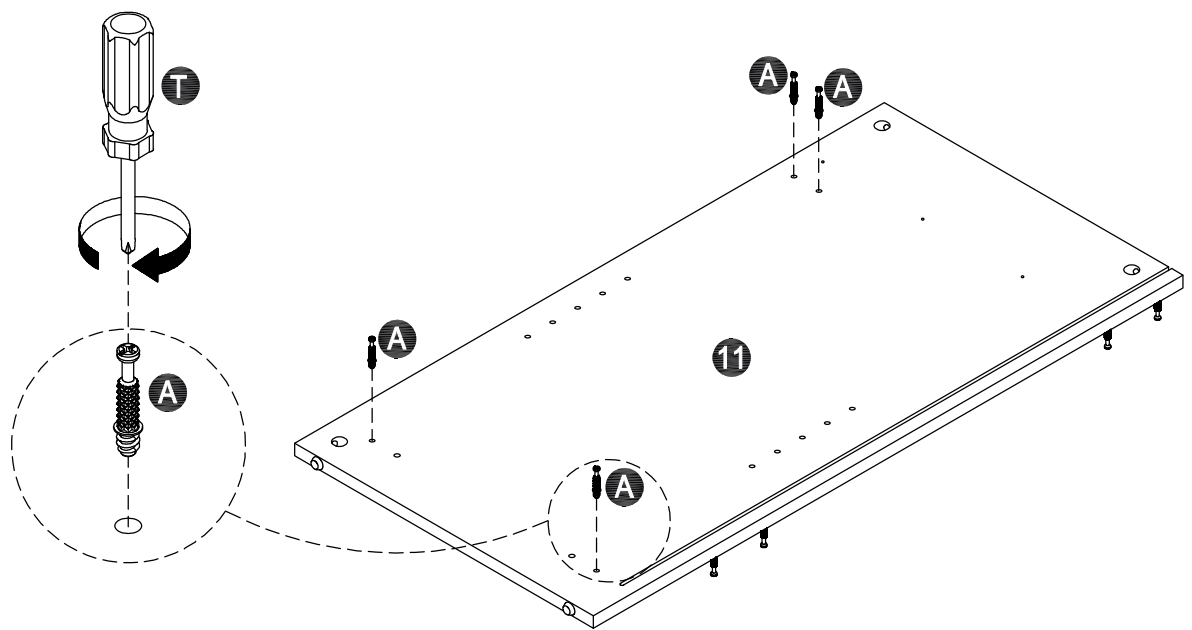
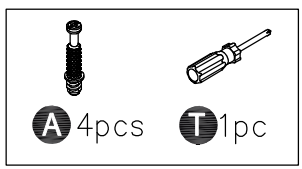
Step 27



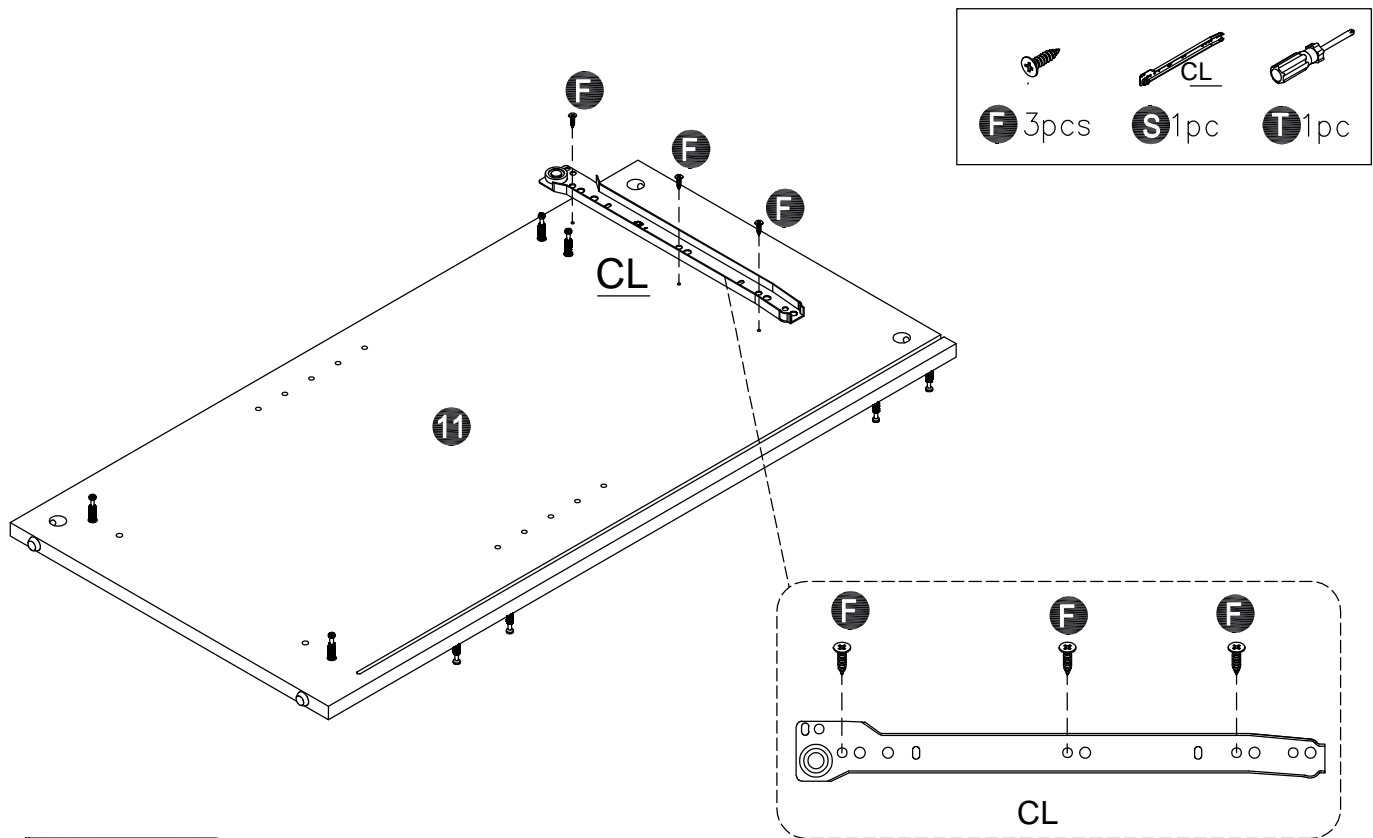
Step 28



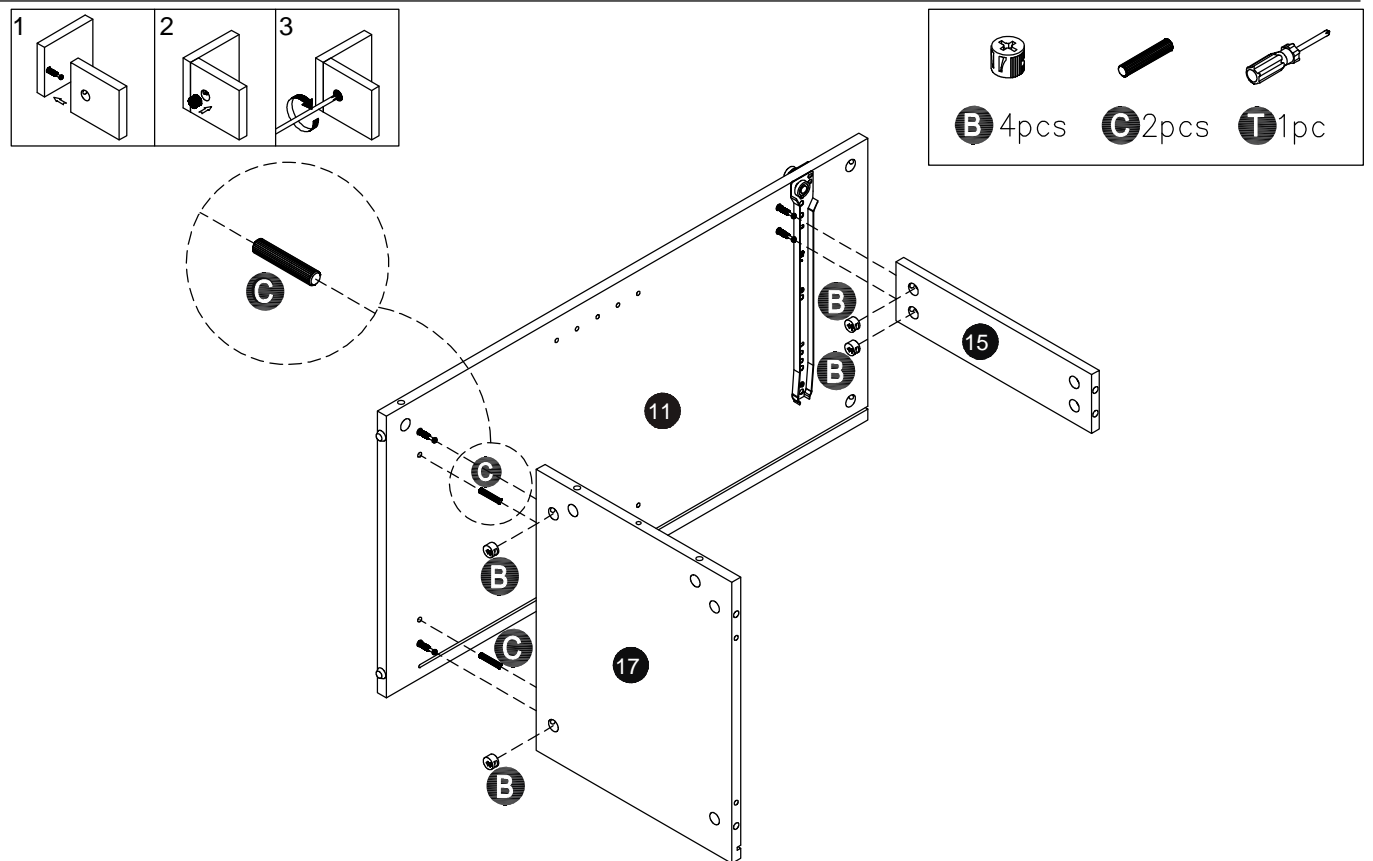
NOTE: Turn Board 11 over.



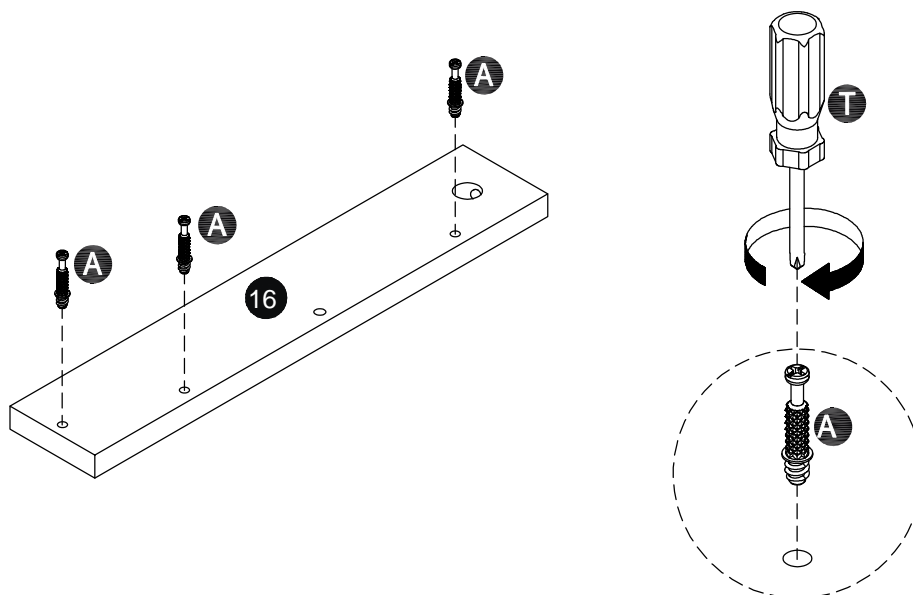
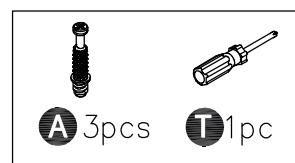
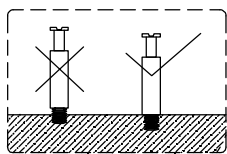
Step 29



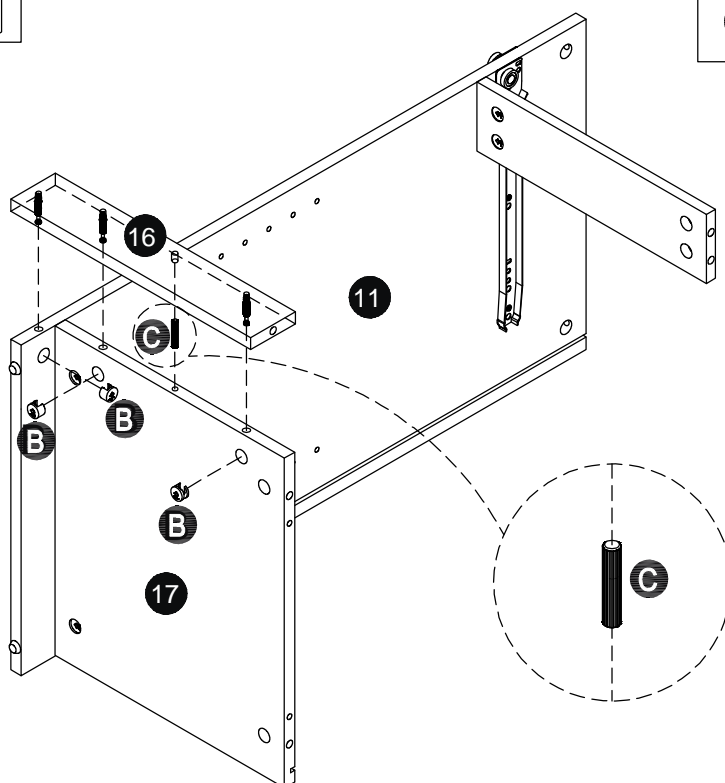
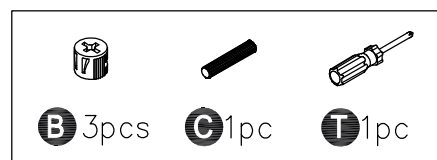
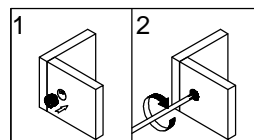
Step 30



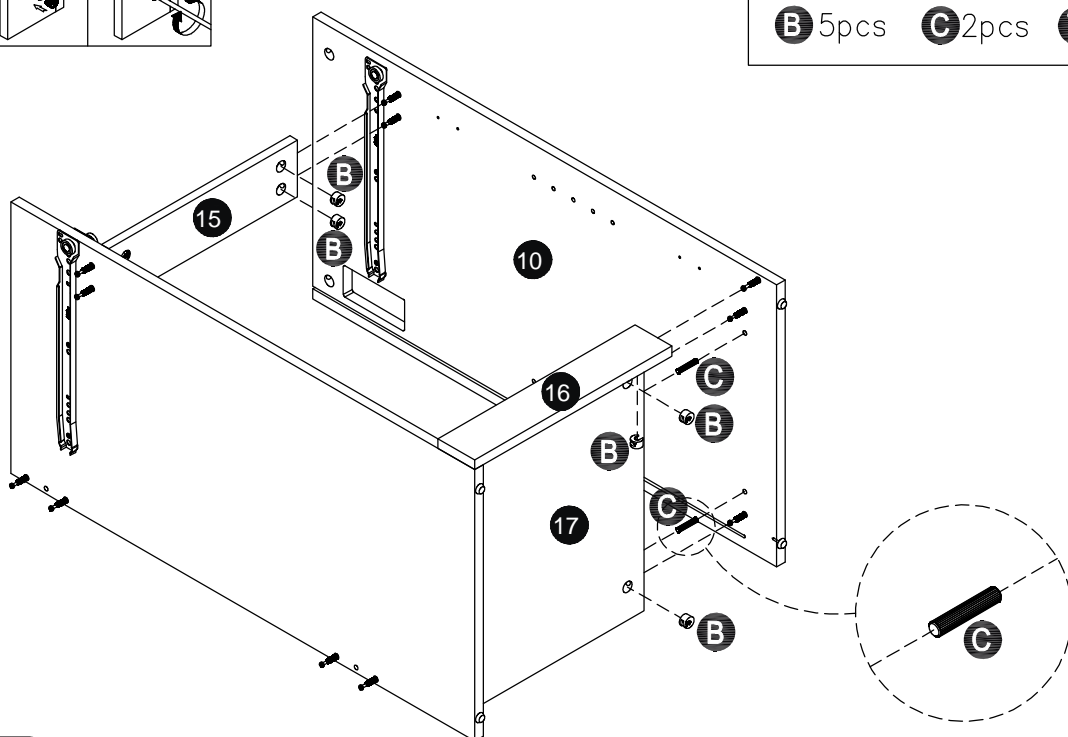
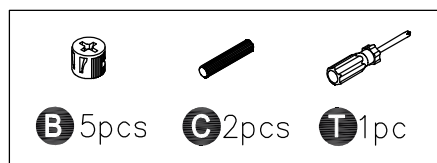
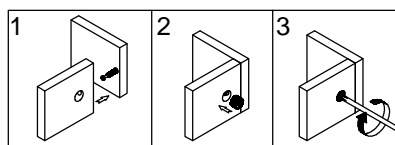
Step 31



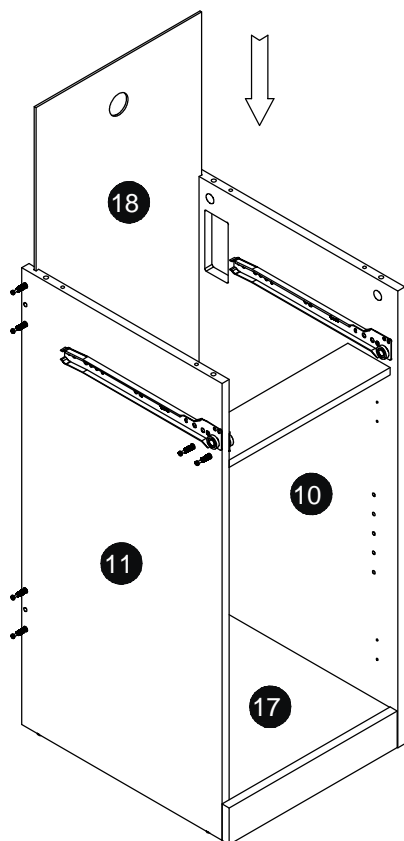
Step 32



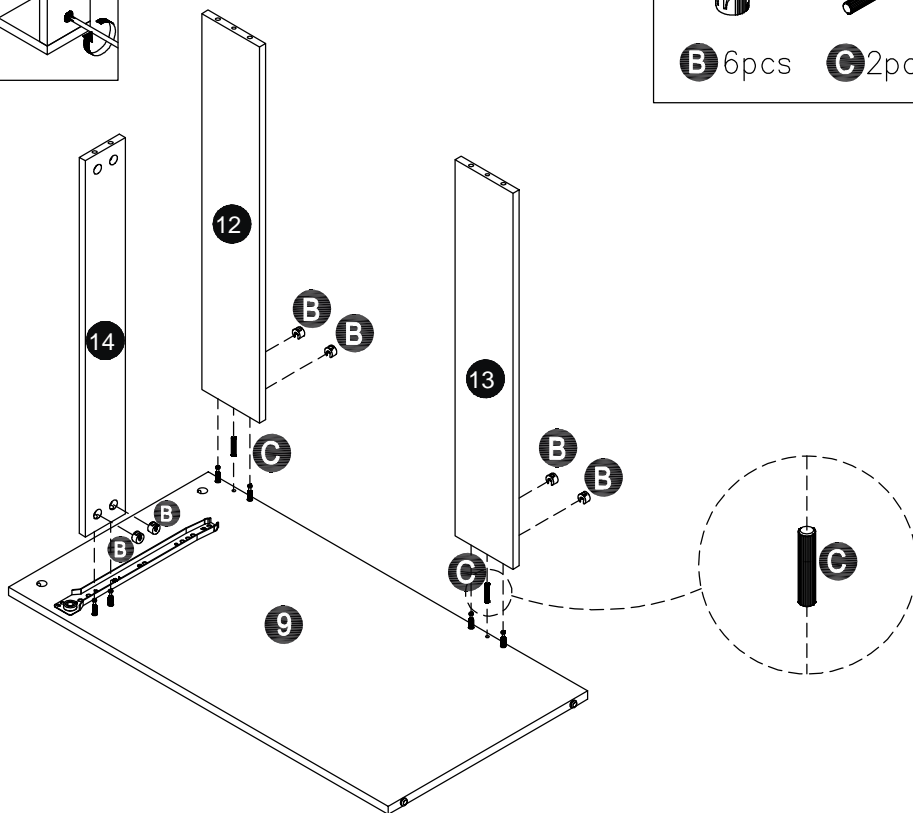
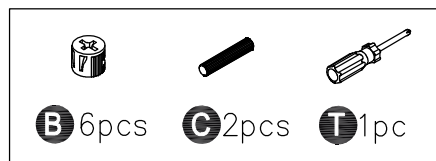
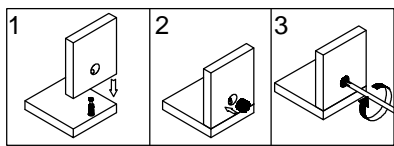
Step 33



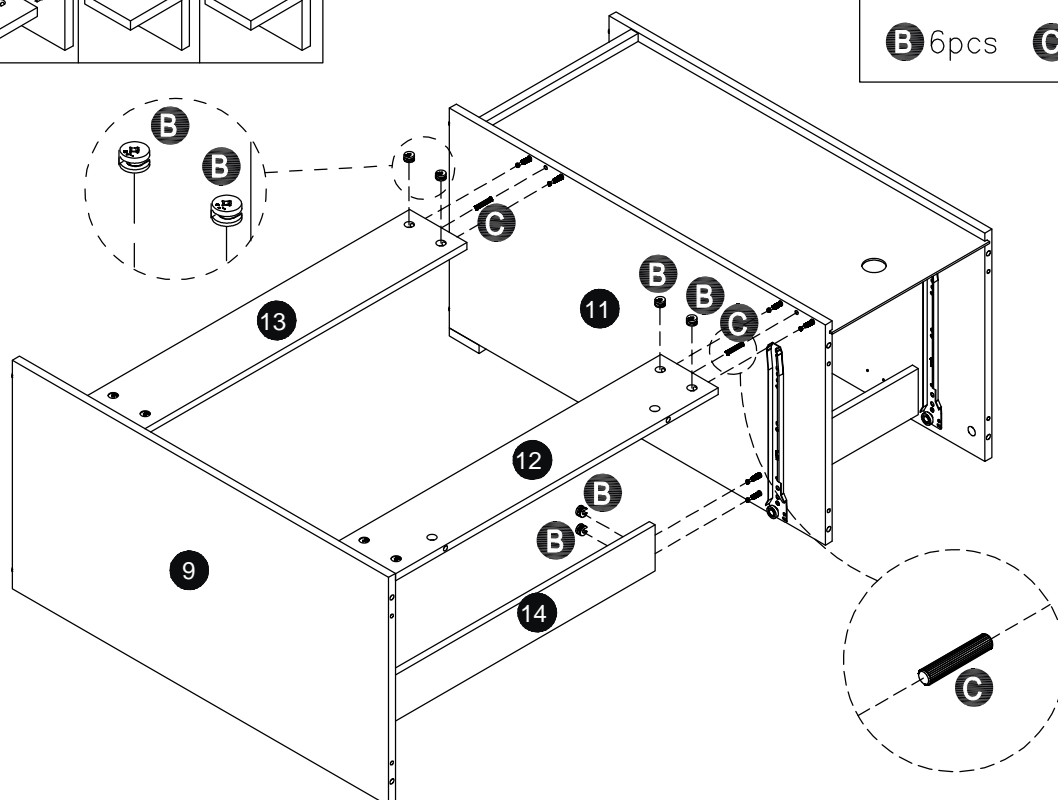
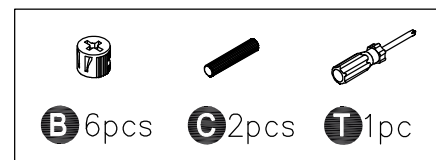
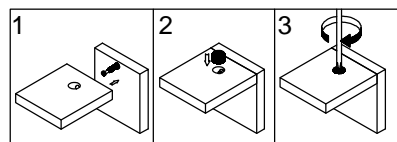
Step 34



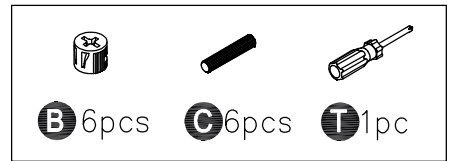
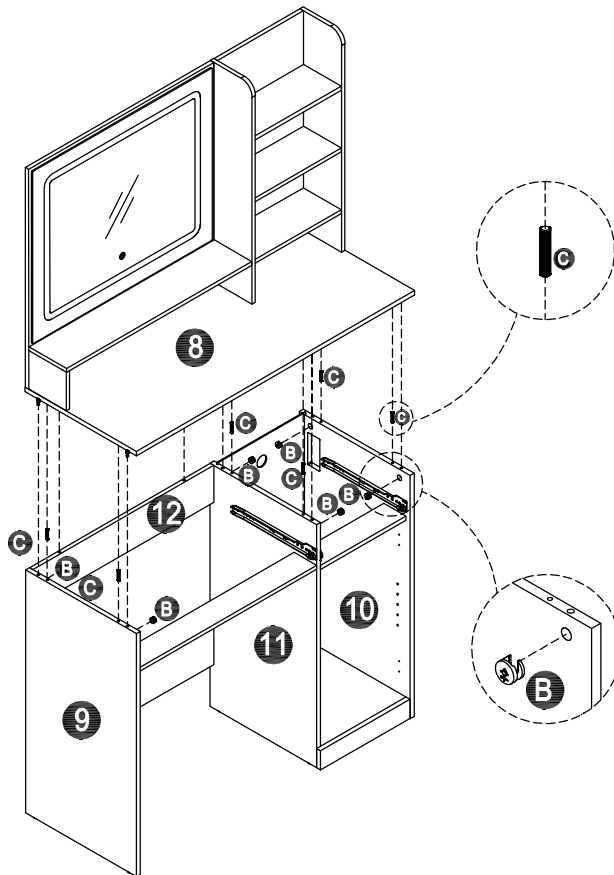
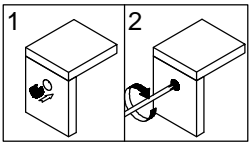
Step 35



Step 36

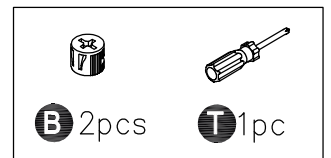
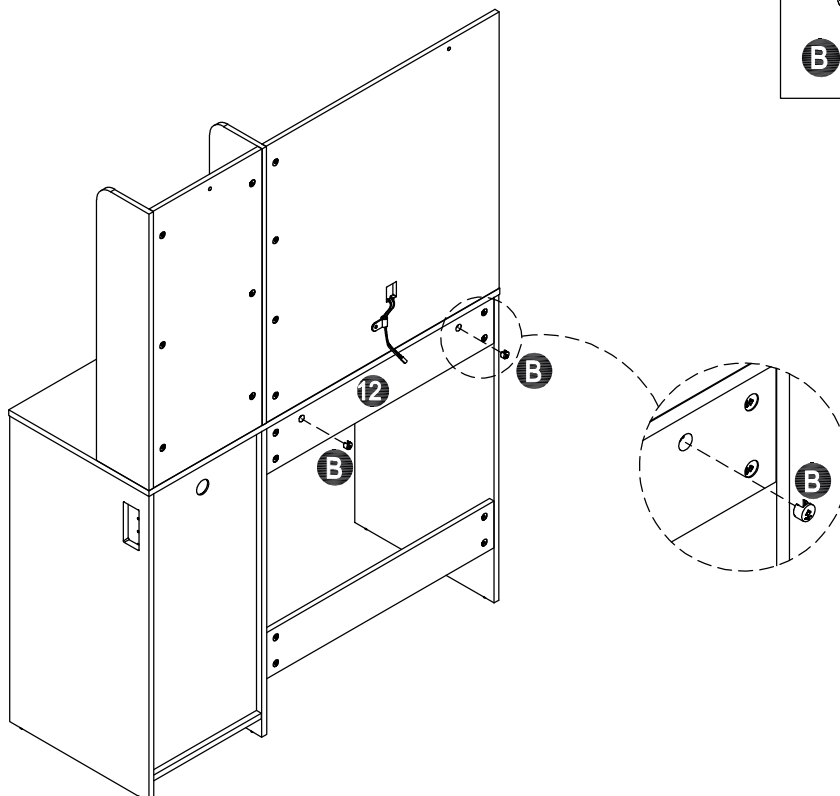
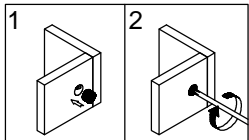


Step 37

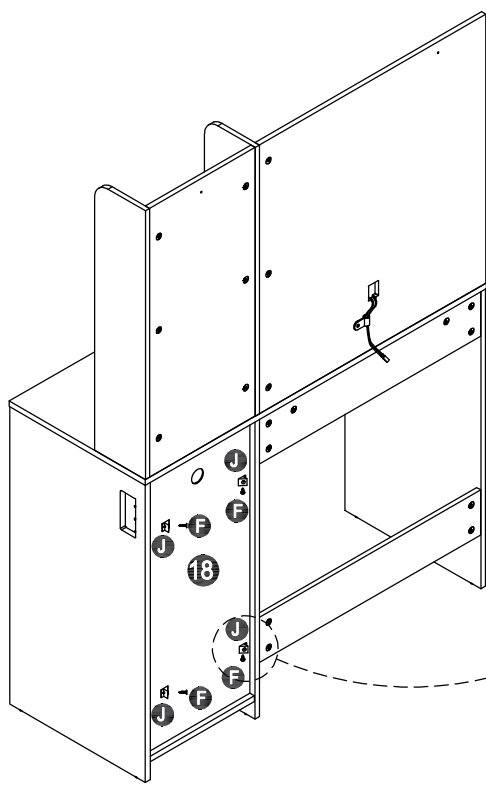




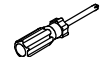
Step 38

NOTE: This product requires at least two people for installation.

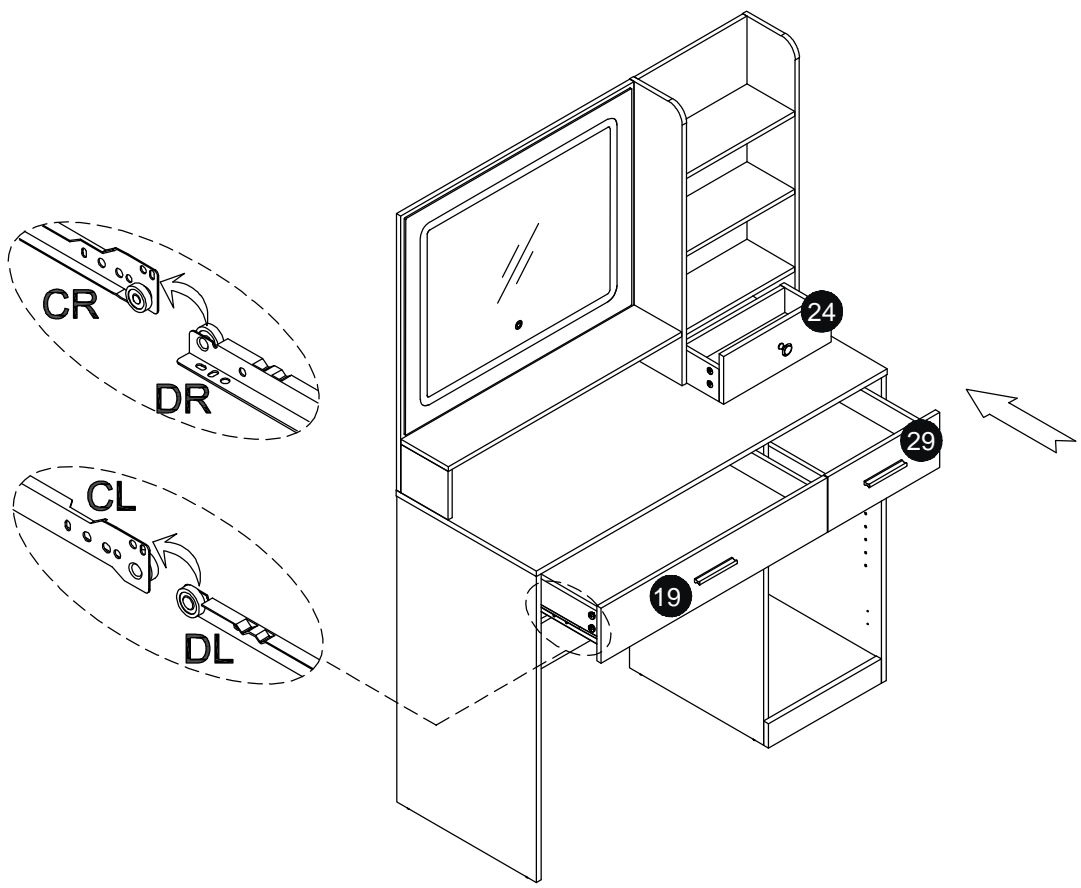


Step 39

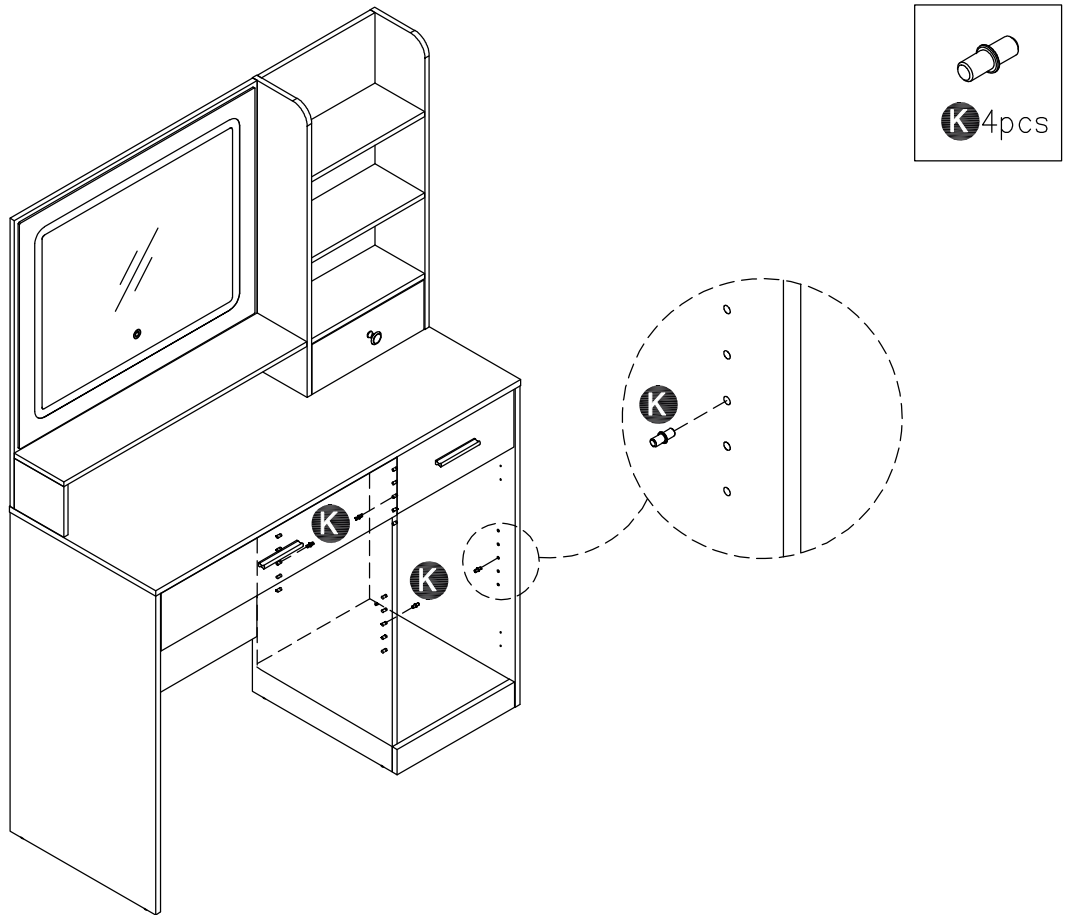


		
F 4pcs	J 4pcs	T 1pc

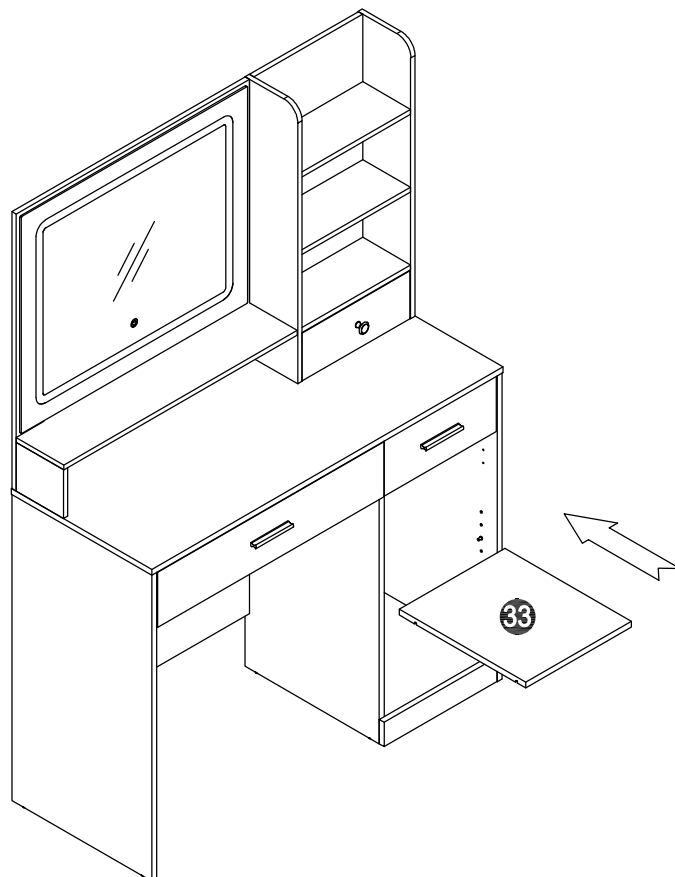
Step 40



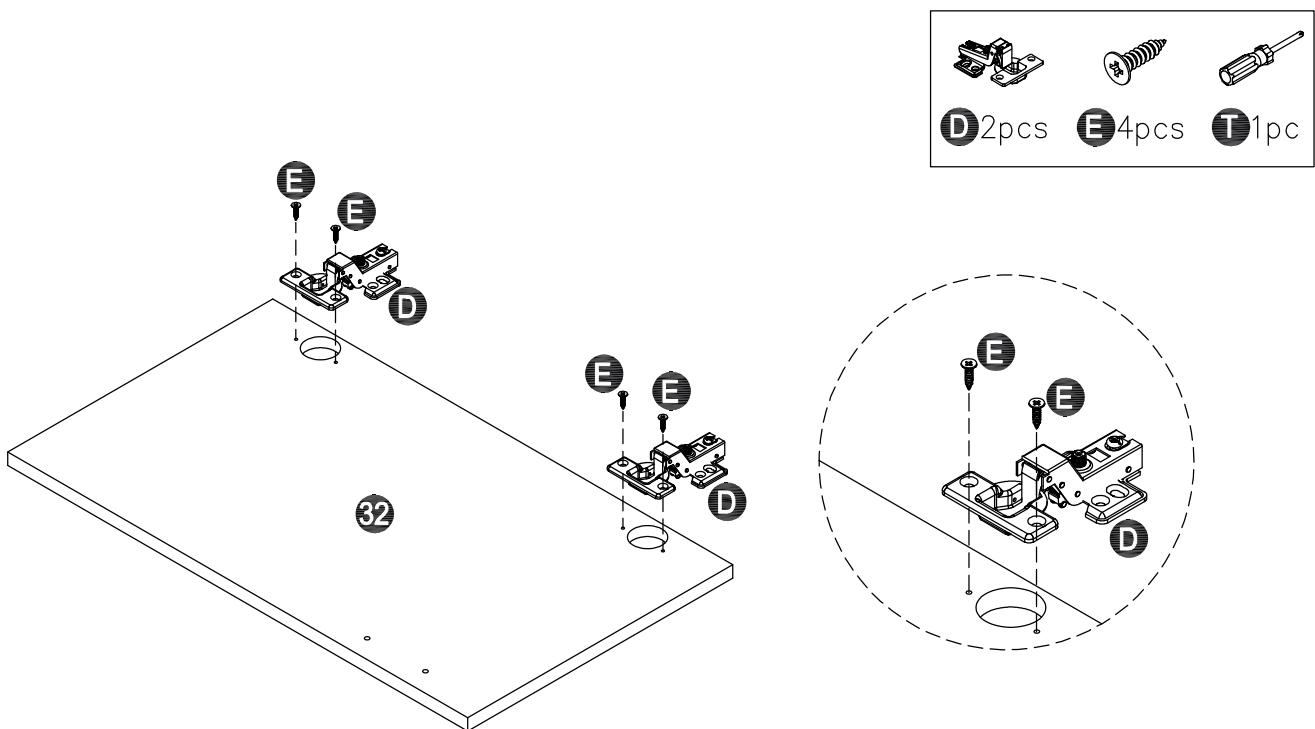
Step 41



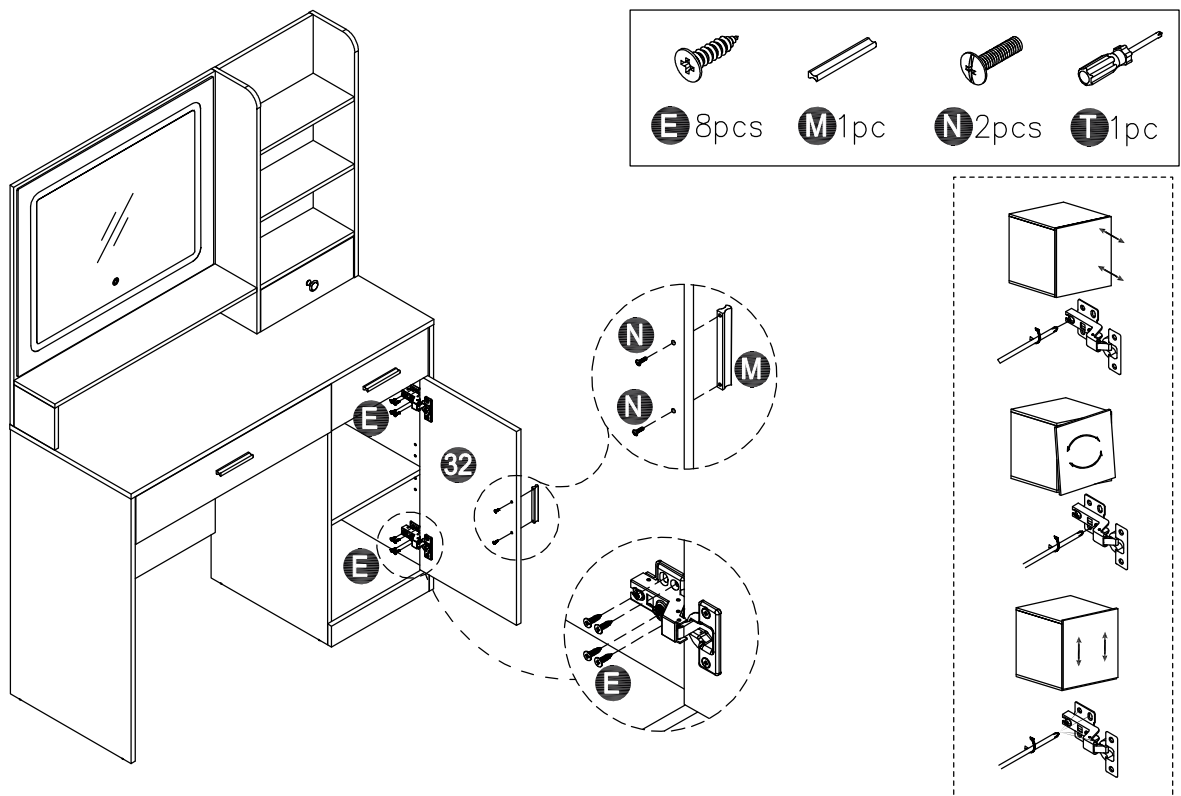
Step 42



Step 43

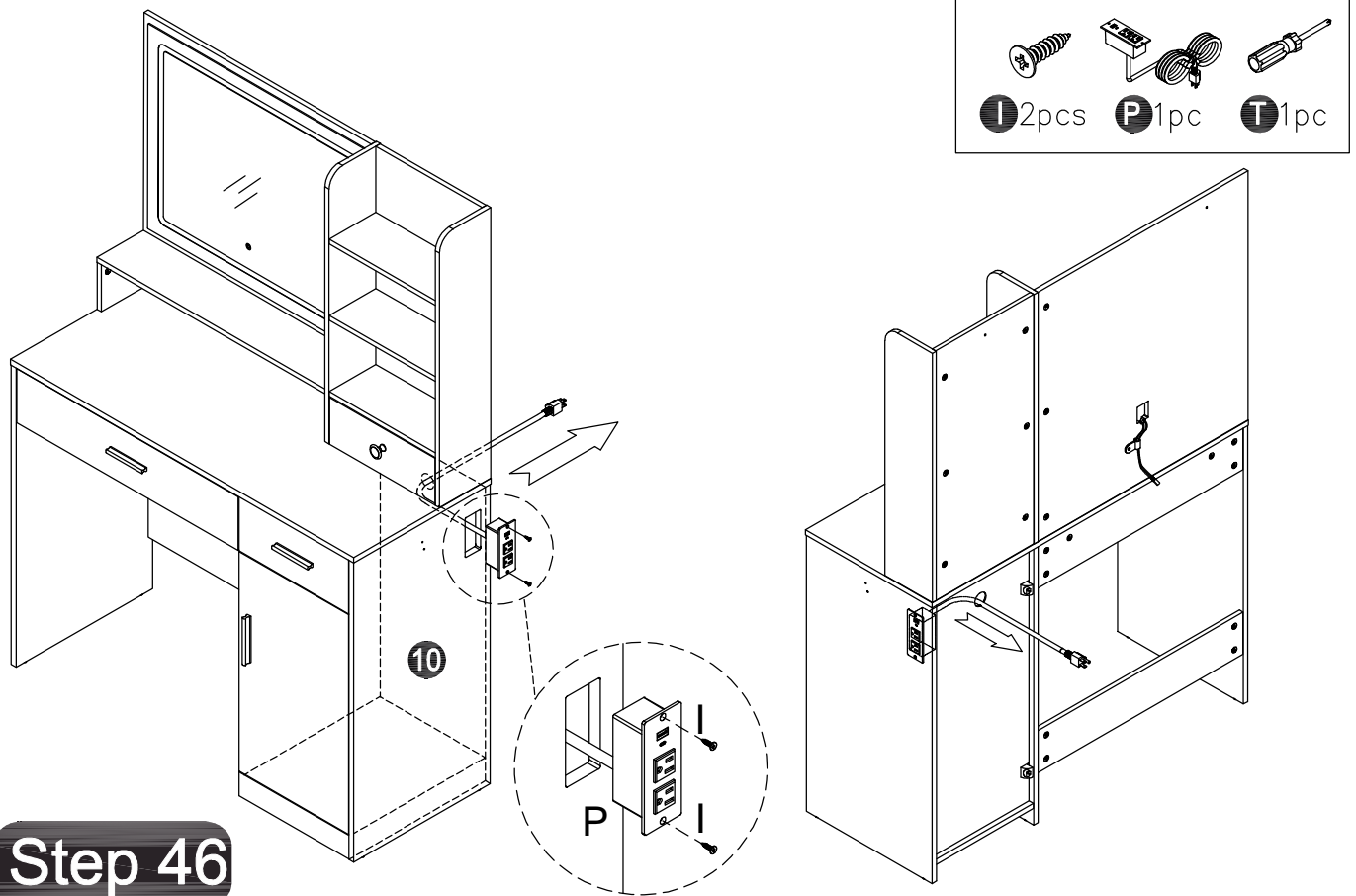


Step 44

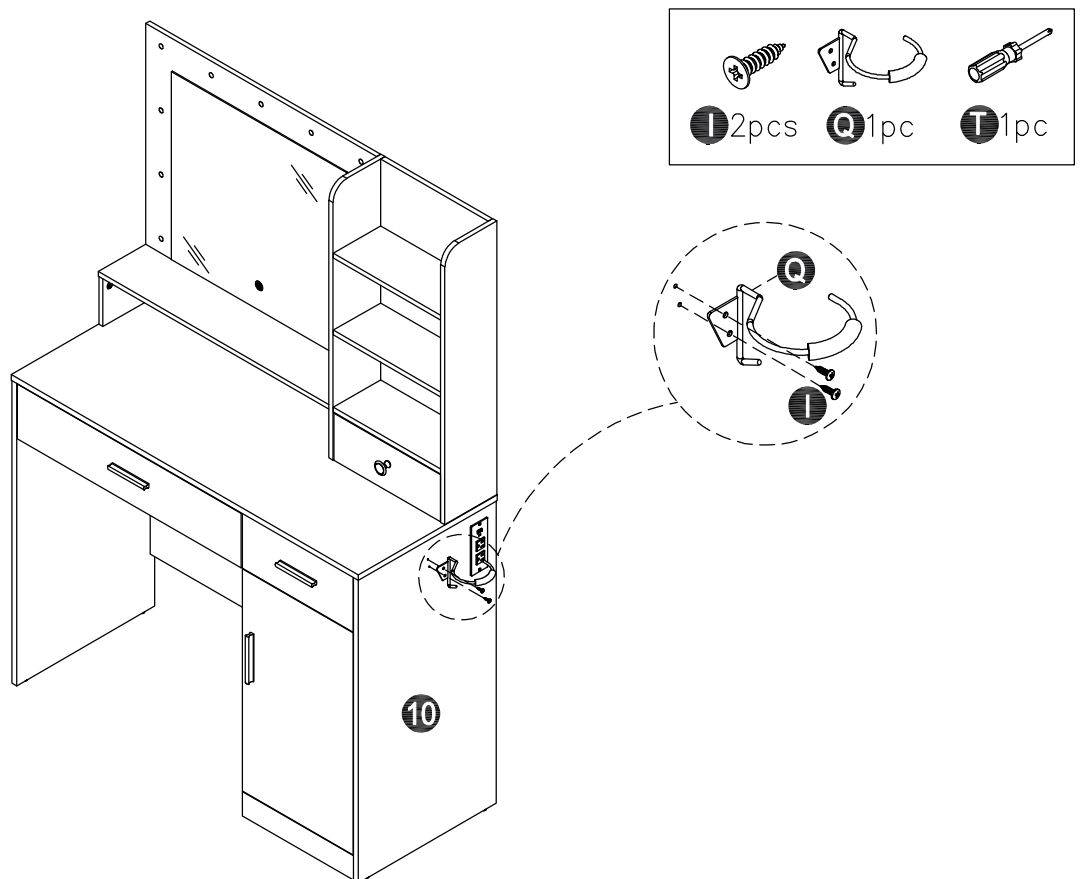


NOTE: After assembling the door, if there are any gaps or misalignment, adjust the hinges as shown right.

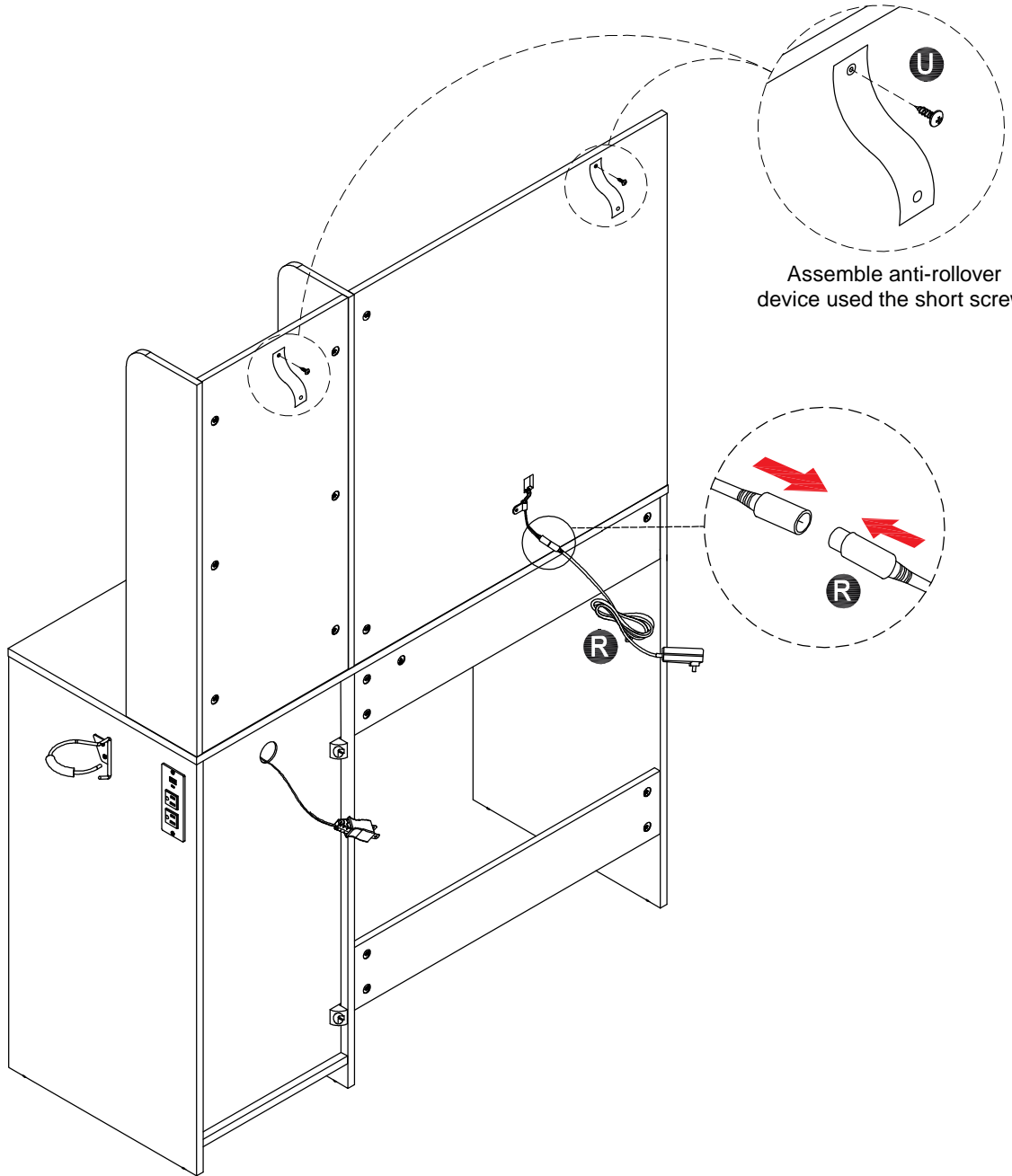
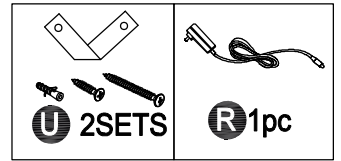
Step 45



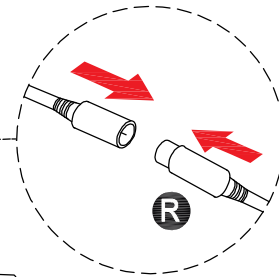
Step 46



Step 47

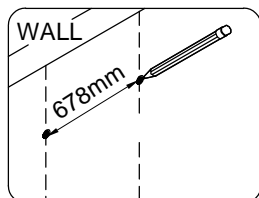
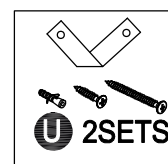


Assemble anti-rollover device used the short screws

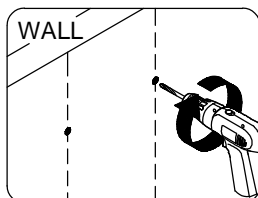


Step 48

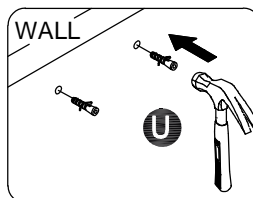
Install the anti-tip kit



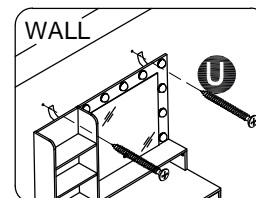
1. Make mark on the wall



2. Drill two Ø6 holes on the wall

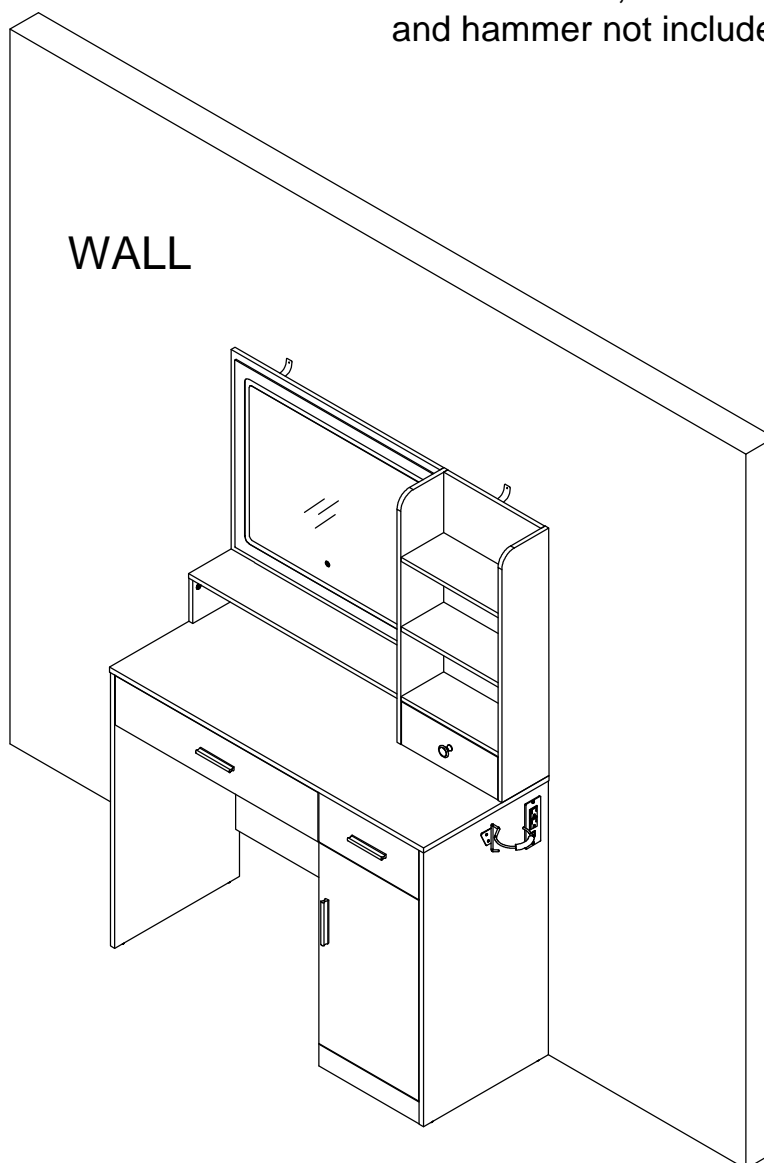


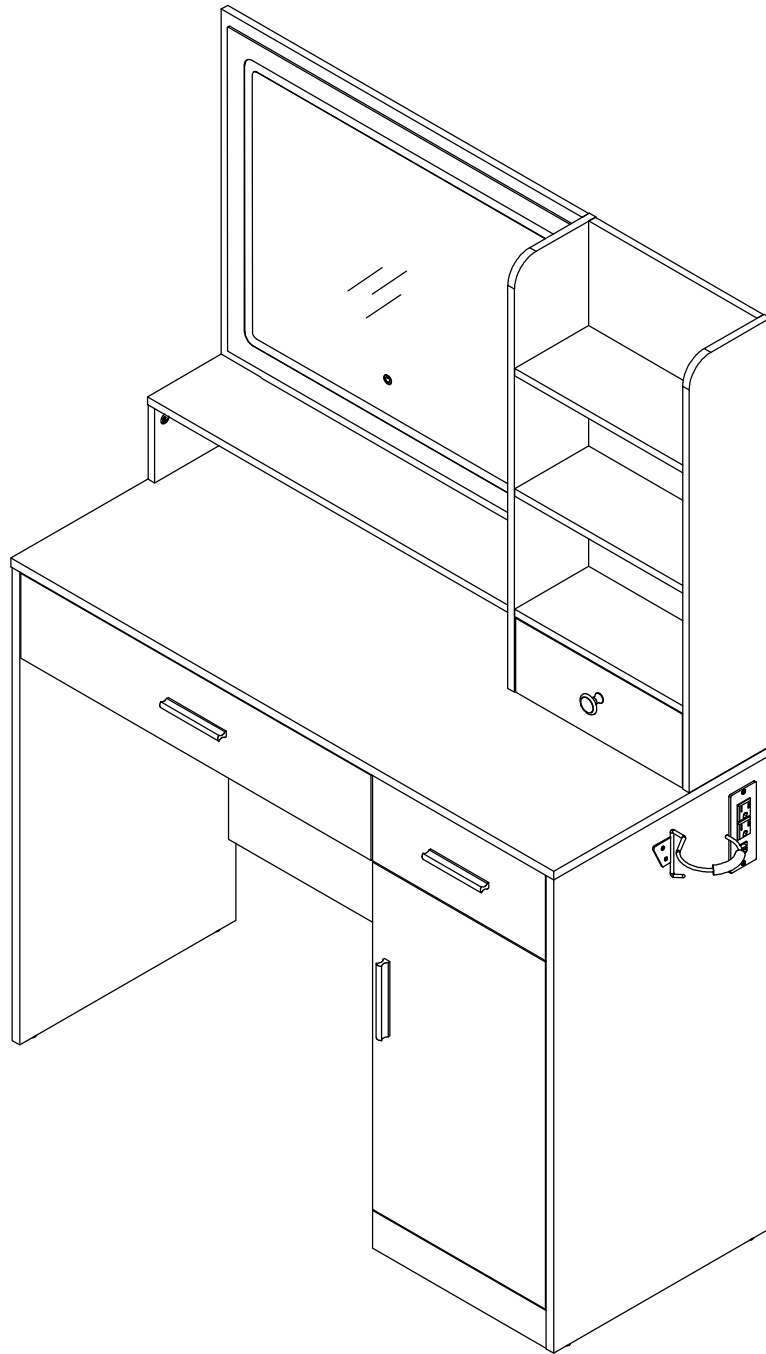
3. Put two anchors in the holes



4. Fix the device to the wall using the long screws

NOTE: Pencil, electric drill, and hammer not included.





Technical Support

(909)637-7665 | (909)637-7593

Other Info

HJ-Customer-Service@outlook.com



Thank you for choosing this product. We strive to provide you with the best quality products and service in the industry. Should you have any issues, please don't hesitate to contact us.