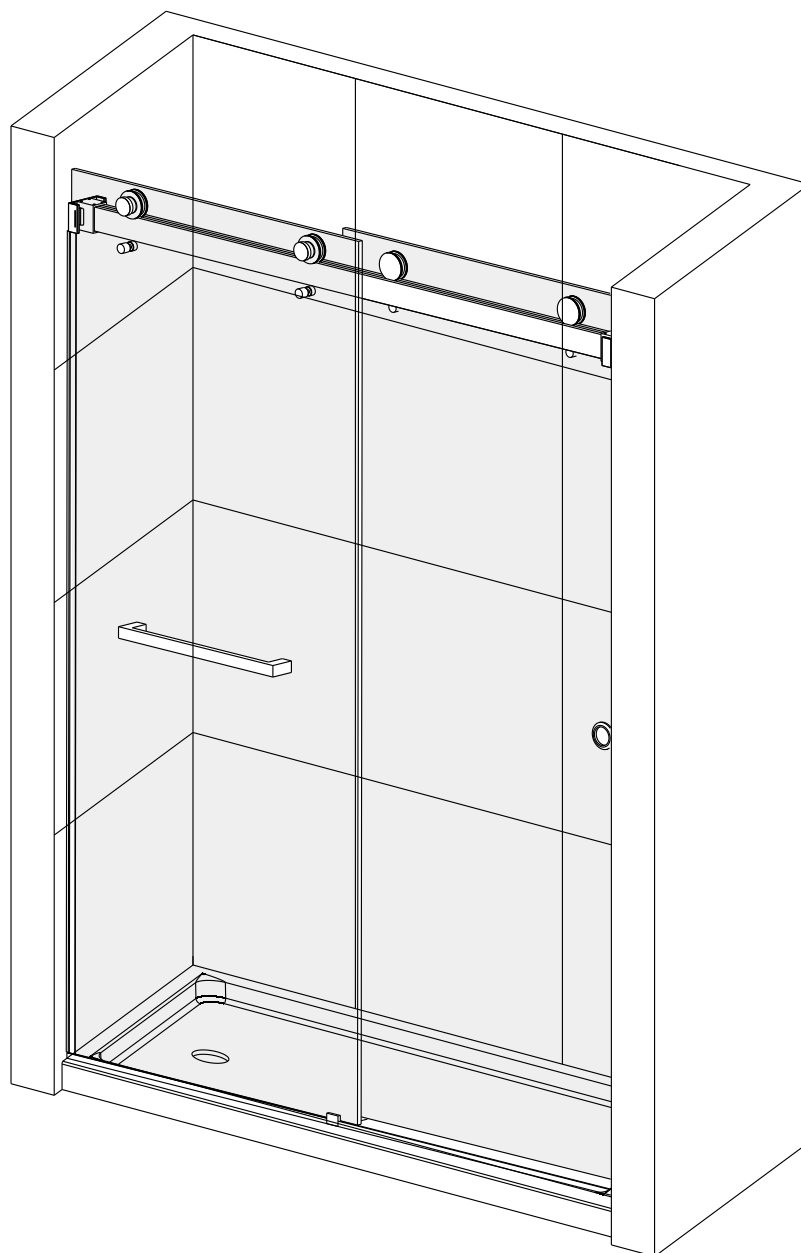


# INSTRUCTION MANUAL



**2 PEOPLE REQUIRED**

***Please keep this manual and product code number for future reference  
and for ordering replacement parts if necessary.***

---

## **GENERAL INSTRUCTIONS**

- Read this manual carefully and completely before proceeding.
- It is recommended that you wear safety glasses at all times during the installation.

## **INSTALLATION OVER CERAMIC TILES**

- If your shower door is to be installed over ceramic tiles, the tiles should lay completely under the wall jamb.
- Silicone should be used to seal the gap where the ceramic tiles meet the fixed panel.

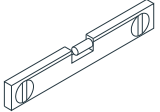
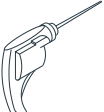
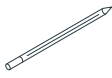

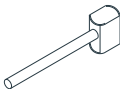

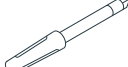

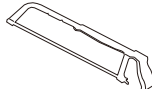

## **NOTICE**

- Caulking: no sealant is required inside the shower, unless otherwise stated.
- Some models are equipped with clear sealing gaskets.

## **CARE FOR YOUR SHOWER DOOR**

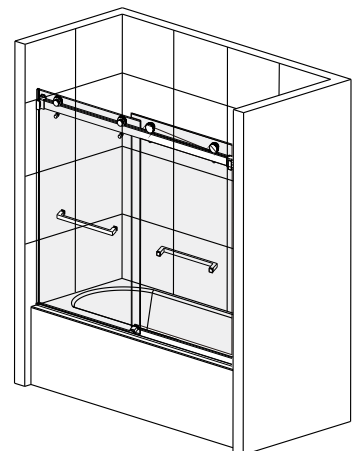
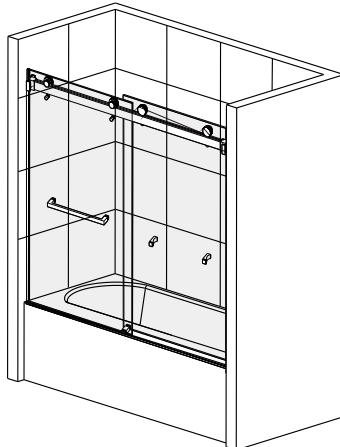
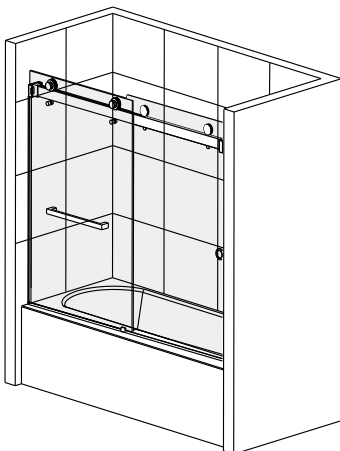
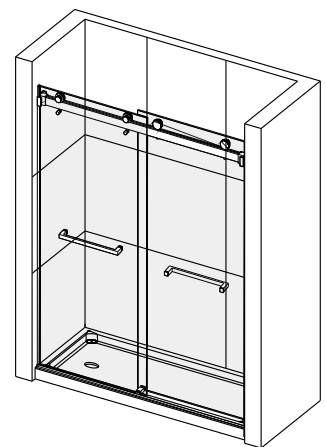
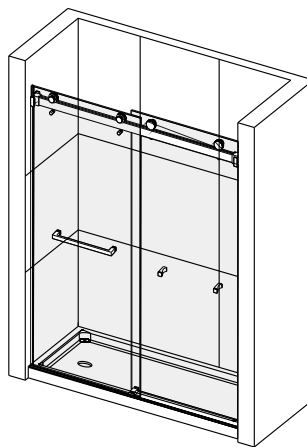
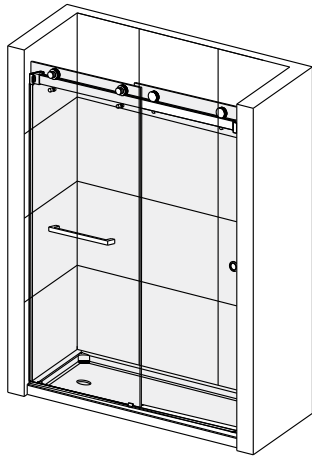
- Never use scouring powder pads or sharp instruments on metal pieces or glass panels.  
An occasional wiping down with a mild soap diluted in water is all that is needed to keep the panels and metal parts looking new.
- We recommend wiping the glass panels with a squeegee after each use.

# TOOLS REQUIRED

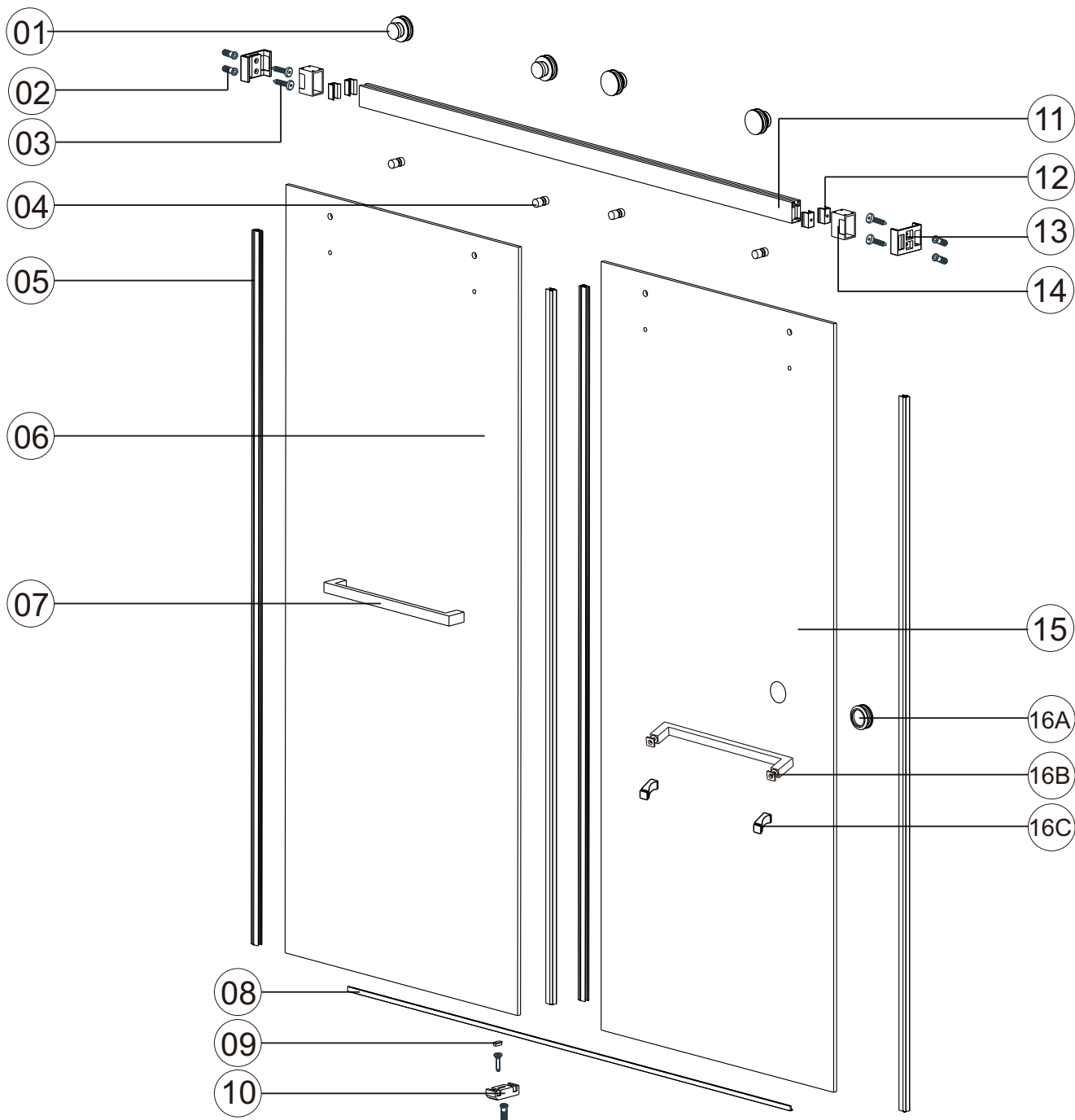
 <b>SPIRIT LEVEL</b>	 <b>POWER DRILL</b>	 <b>PENCIL</b>	 <b>SILICONE</b>	 <b>MALLET</b>
 <b>TAPE MEASURE</b>	 <b>SCREW DRIVER</b>	 <b>6mm&amp;3mm(1/4" &amp; 1/8") DRILL BITS</b>	 <b>HACKSAW</b>	 <b>SAFETY GLASSES</b>





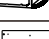




\* Use a 6mm(1/4") drill bit for ceramic when drilling into ceramic tiles


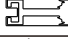


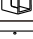




# CHOOSE A CONFIGURATION



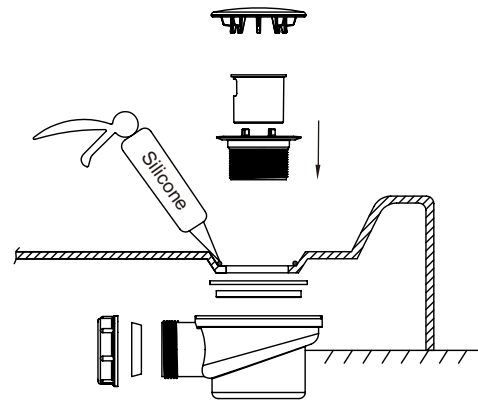
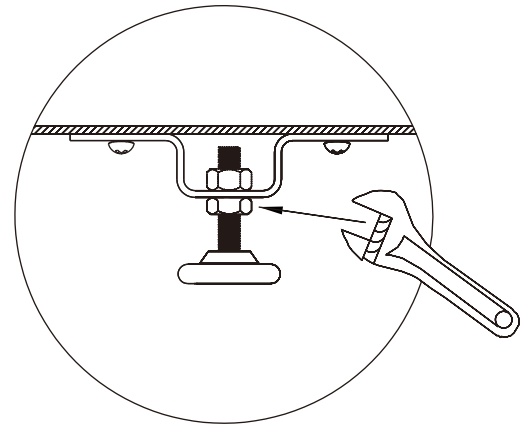
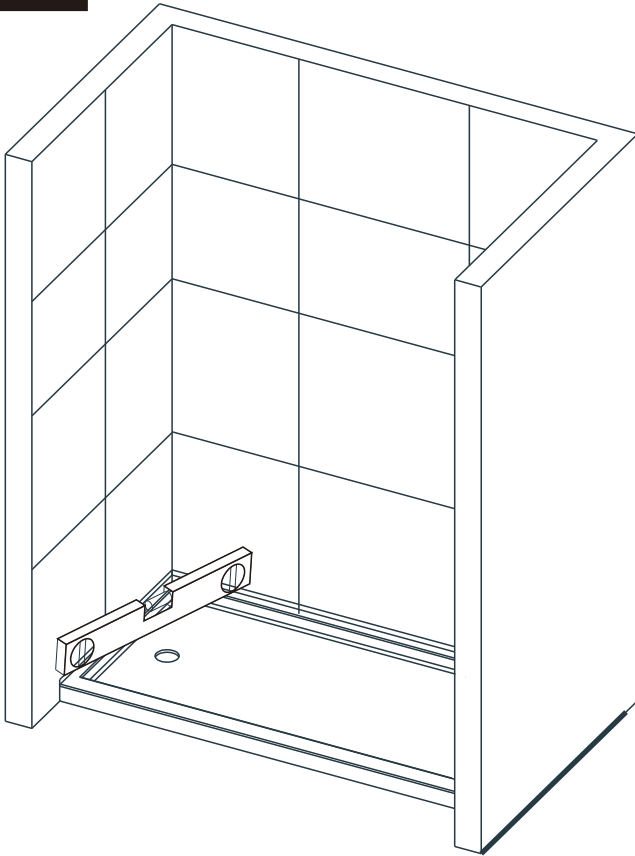
# PARTS LISTING



ITEM	PARTS	DIAGRAM	QTY
1	Roller		4
2	Wall plugs Ø6		5
3	Screw St5x40		5
4	Anti jumping knob		4
5	Door seal		4
6	Sliding door		1
7	Towel bar		1
8	Anti-splash threshold		1
9	Floor guide cover cap		1

ITEM	PARTS	DIAGRAM	QTY
10	Floor guide		1
11	Rail		1
12	Anti-collision block		4
13	Wall mount bracket		2
14	Guide rail bracket		2
15	Sliding door		1
16A	Finger pull knob		1
16B	Towel bar		1
16C	Point Handle		2

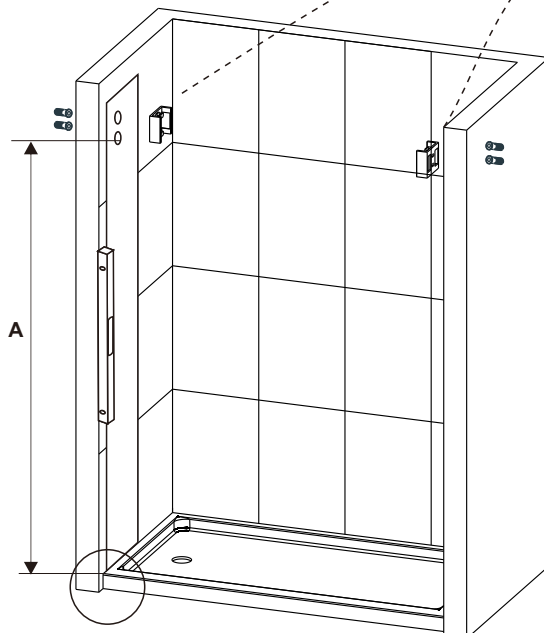
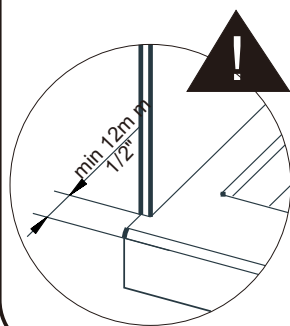
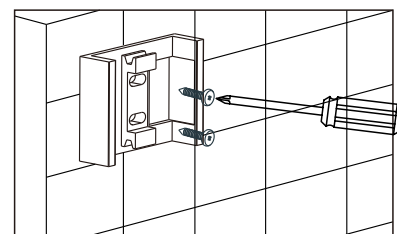
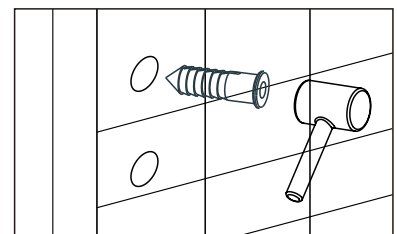
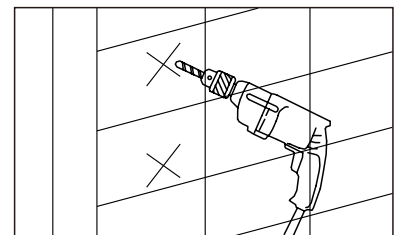
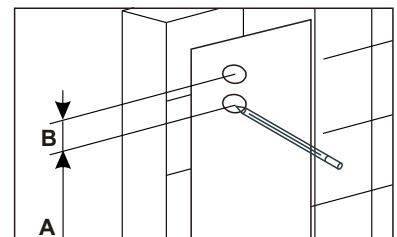
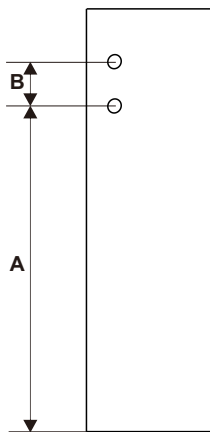
# 1



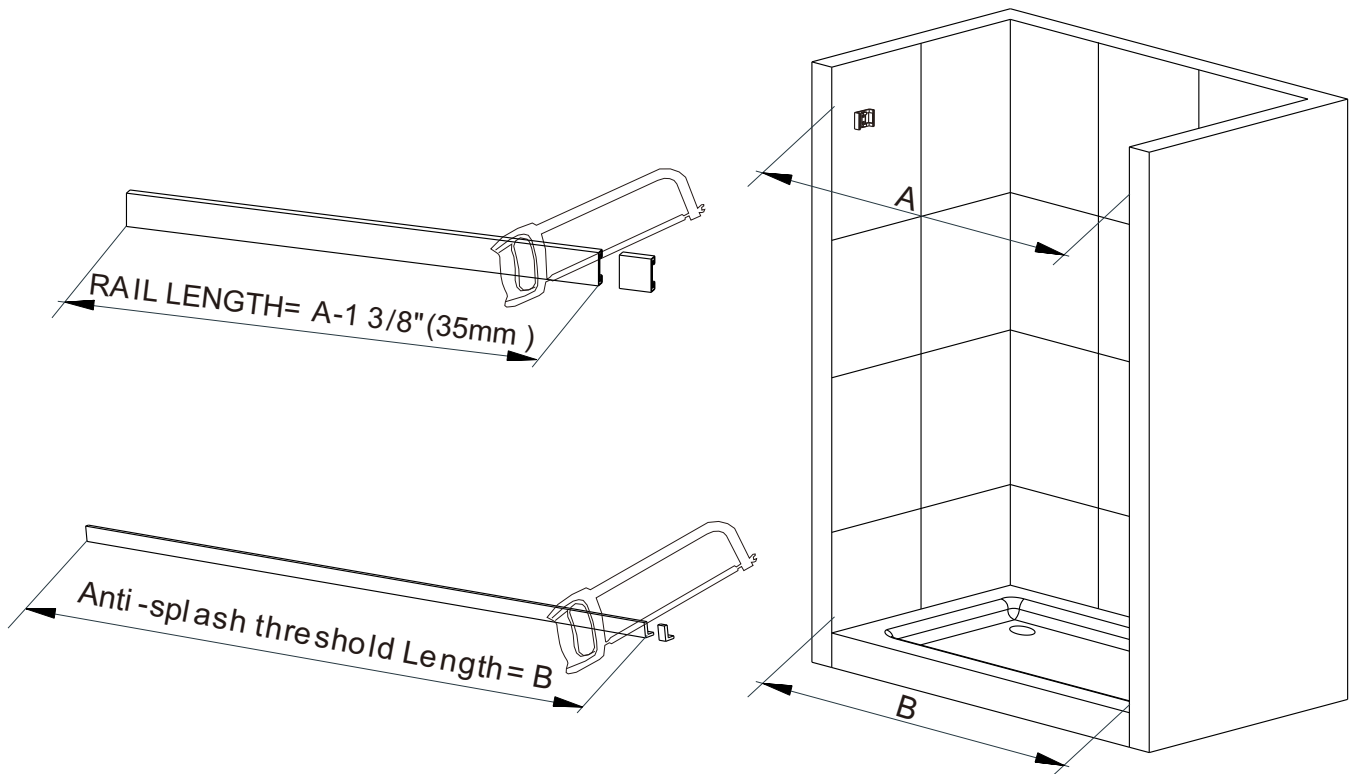
# 2

Product Height	A	B
60"(1524mm)	55 1/2"(1411mm)	7/8"(22mm)
66"(1676mm)	61 1/2"(1563mm)	
72"(1828mm)	67 1/2"(1716mm)	
75"(1905mm)	70 1/2"(1792mm)	
76"(1930mm)	71 1/2"(1817mm)	
78"(1981mm)	73 1/2"(1868mm)	
79"(2006mm)	74 1/2"(1894mm)	

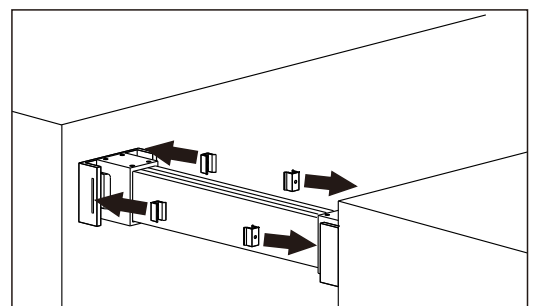
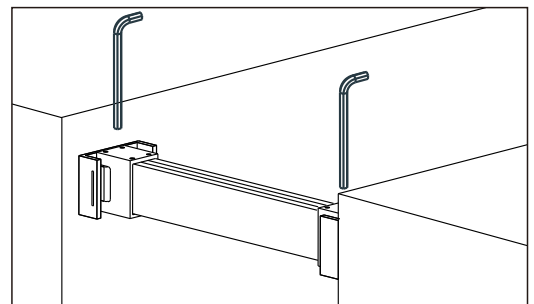
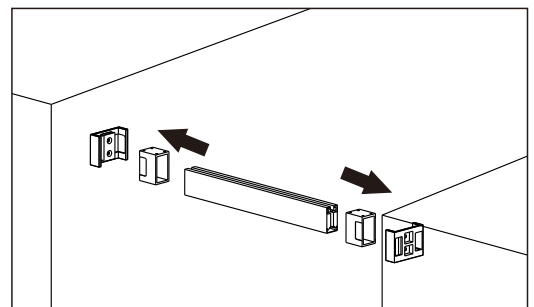
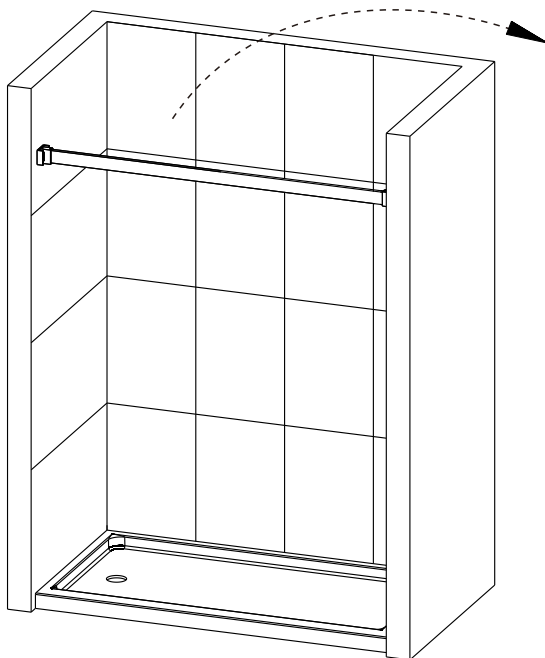
\*A=product height-4 1/2"(113mm)  
 \*Without the size, please contact the local dealer.



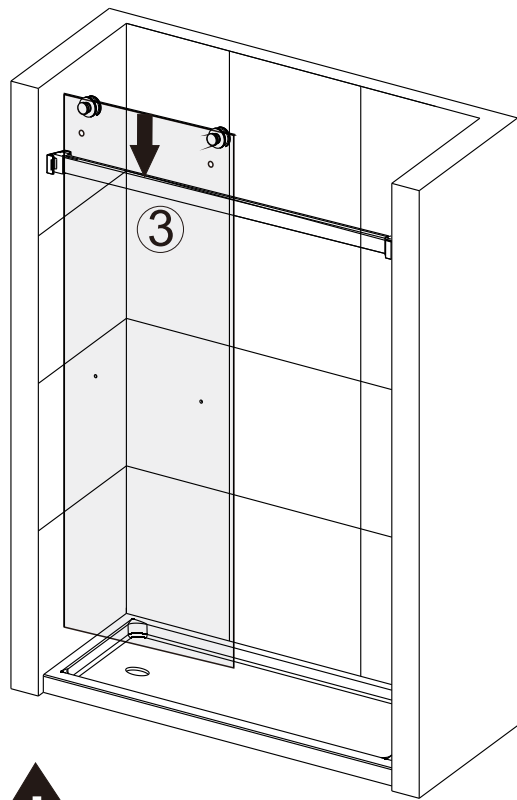
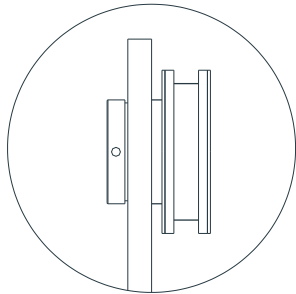
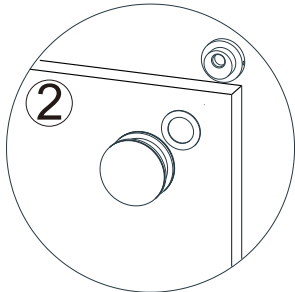
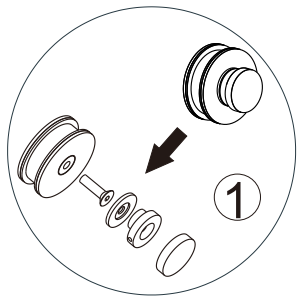
3



4

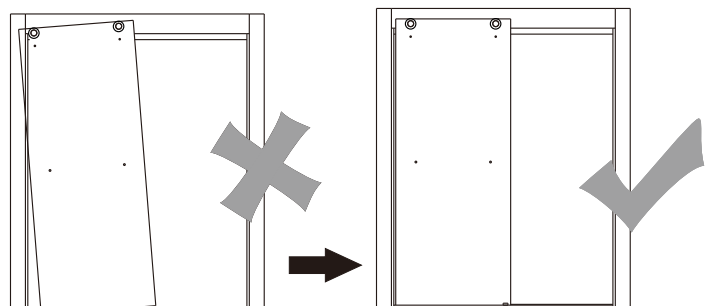
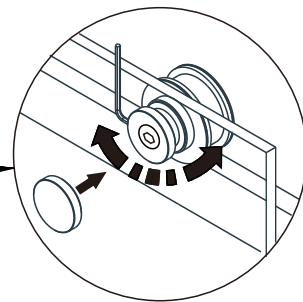
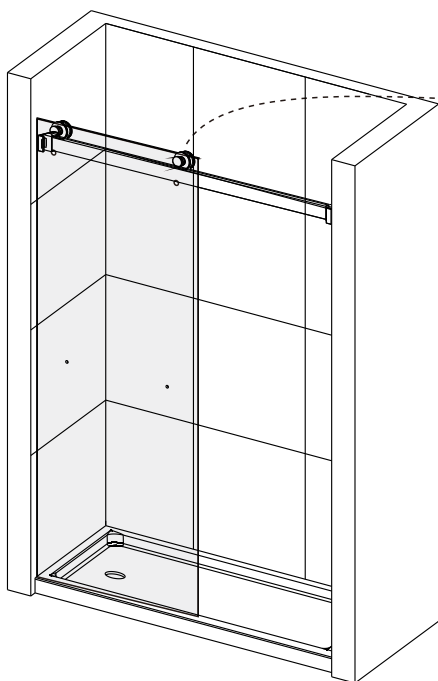


5

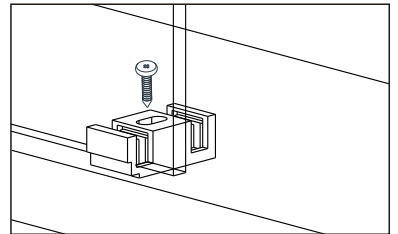
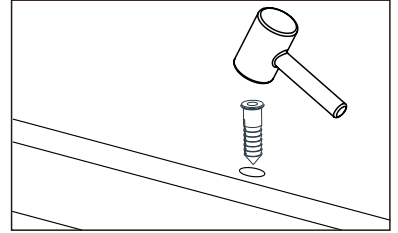
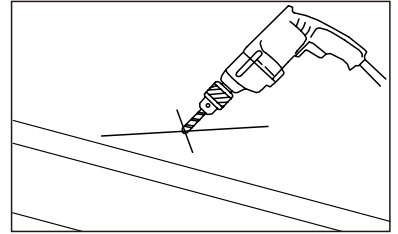
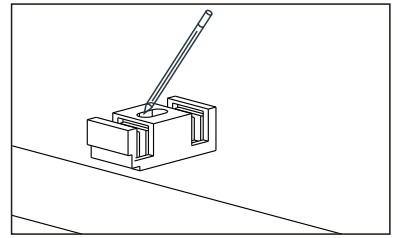
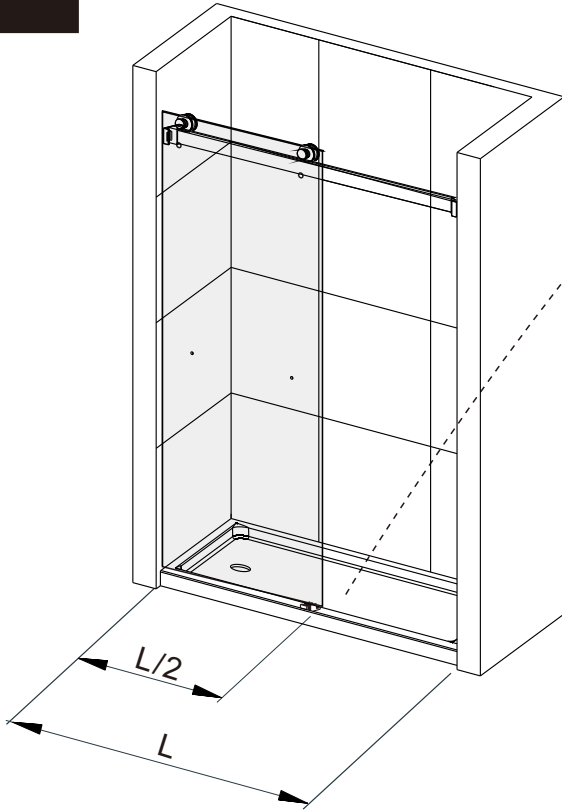


The glass surface with the "Enduro Shield" label must be installed to face inside of the shower

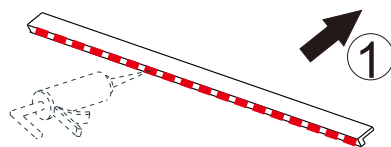
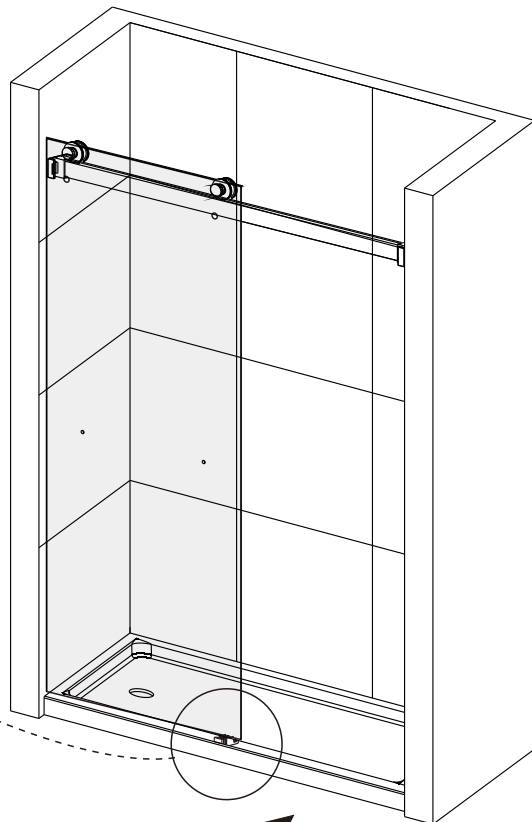
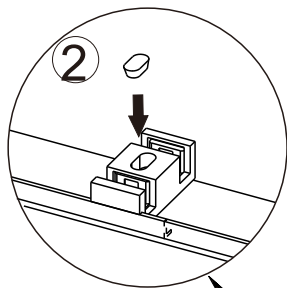
6



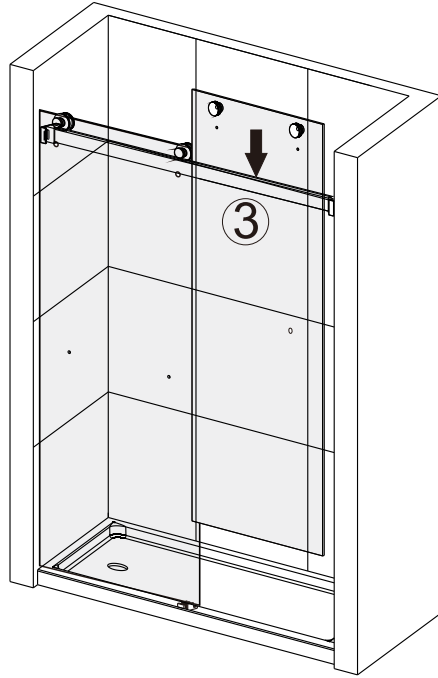
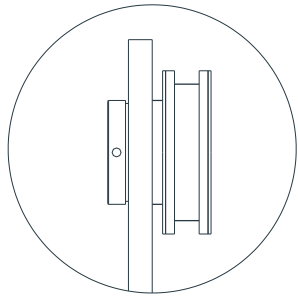
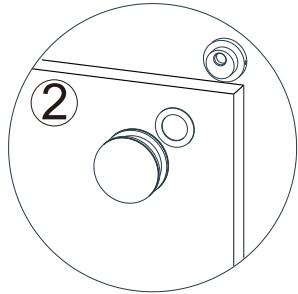
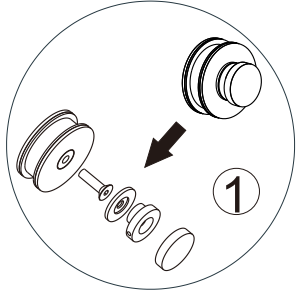
7




8

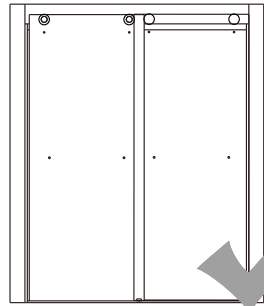
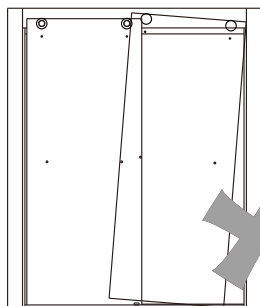
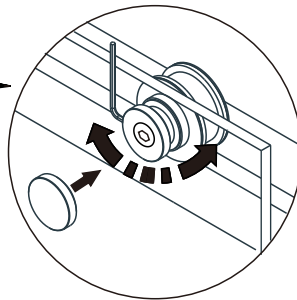
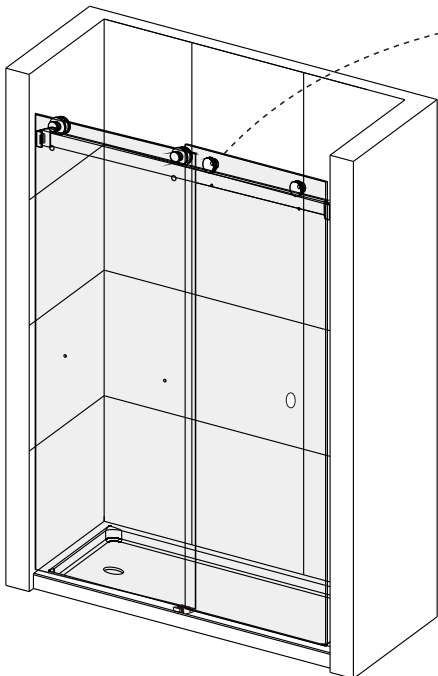


9

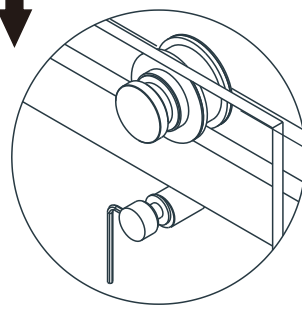
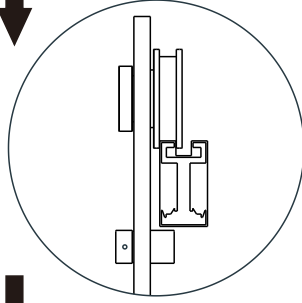
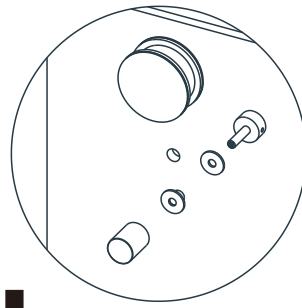
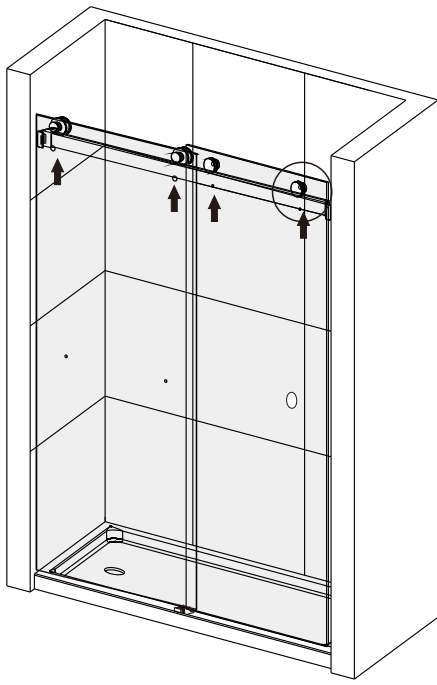


  
The glass surface with the "Enduro Shield" label must be installed to face inside of the shower

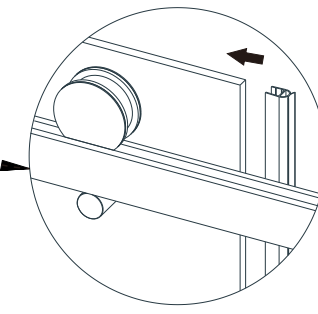
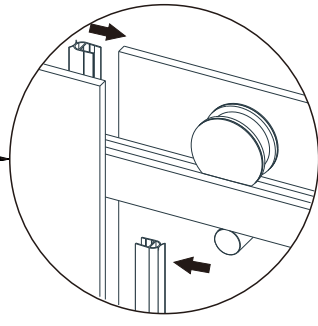
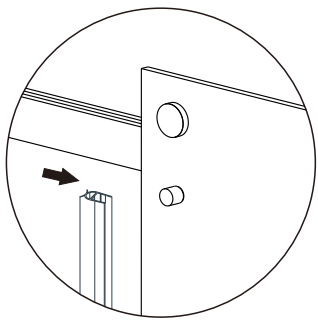
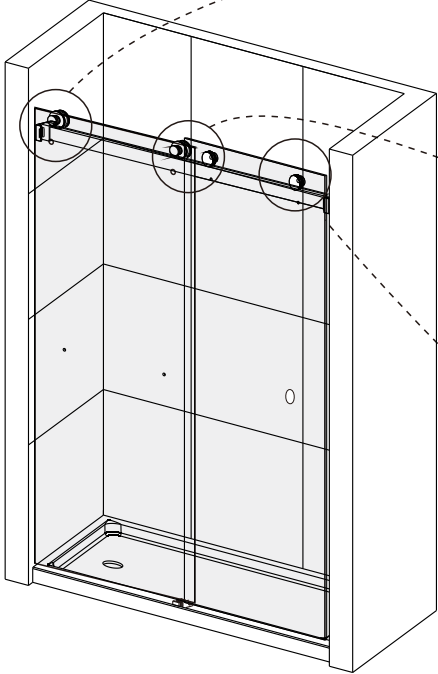
10



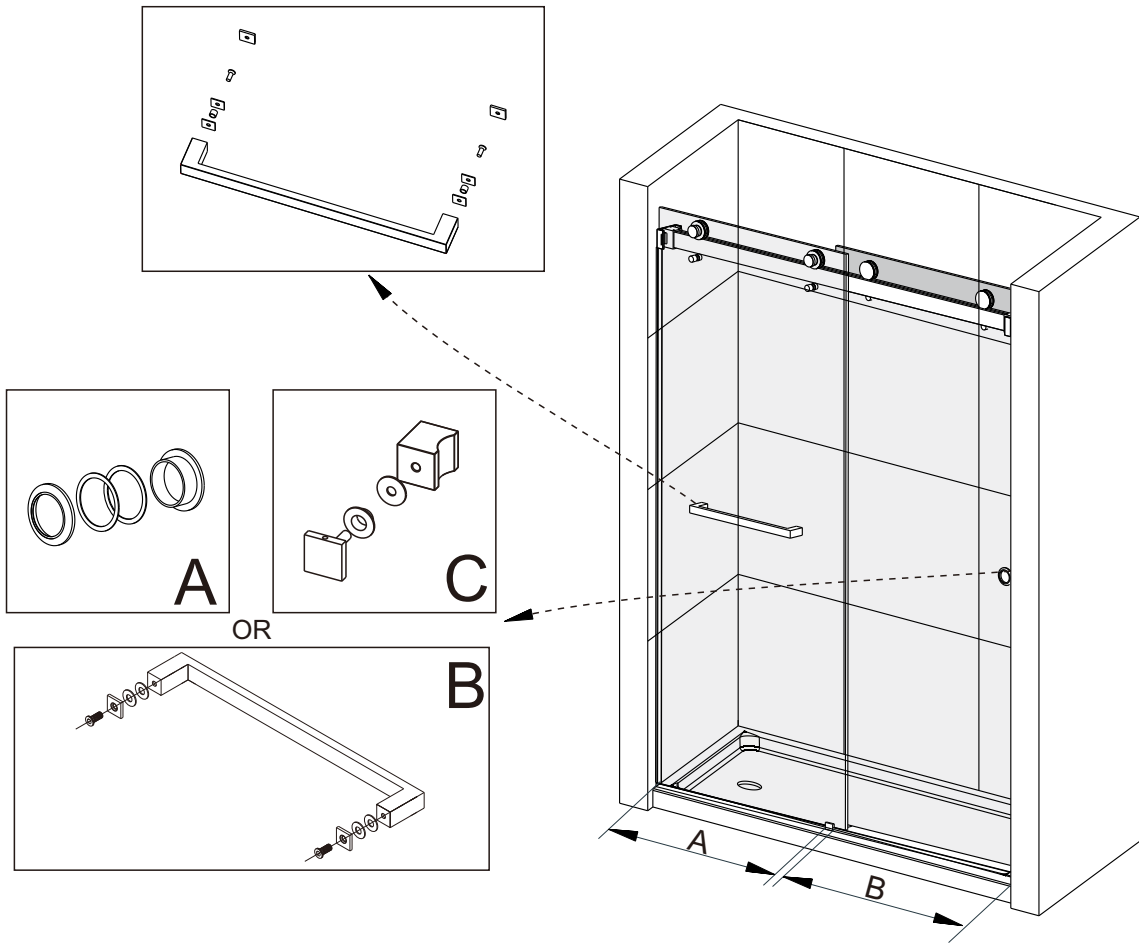
11



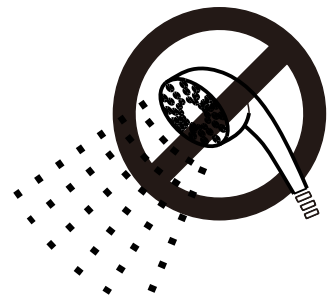
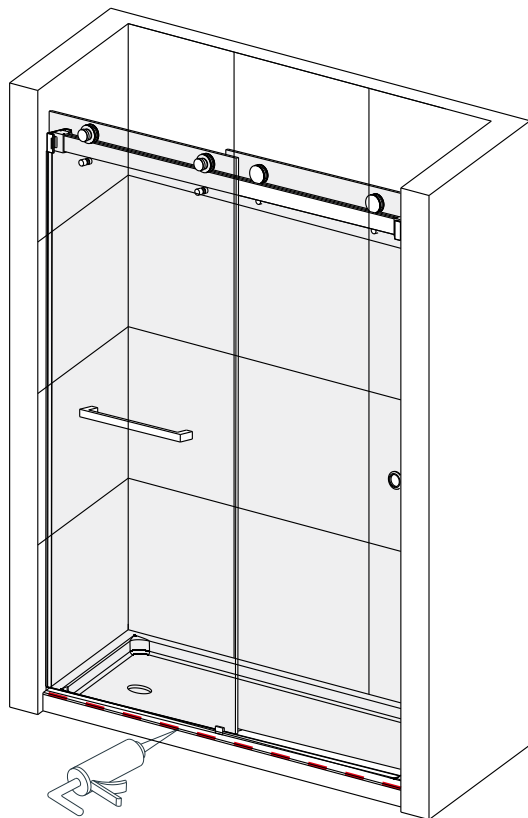
12



13



14



**24** HOURS