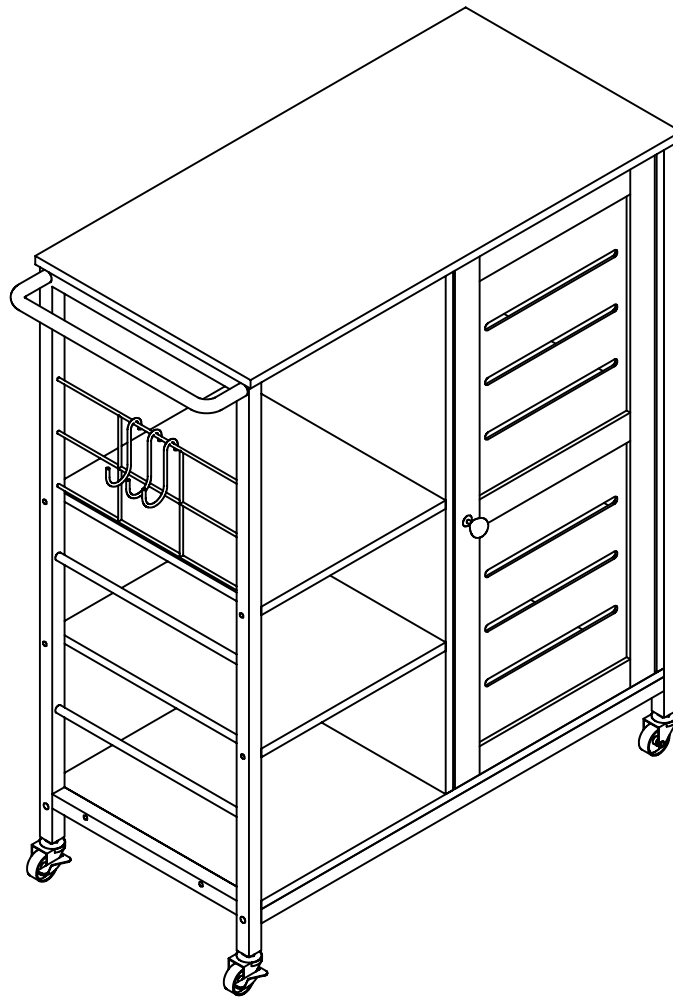


# Installation Instruction

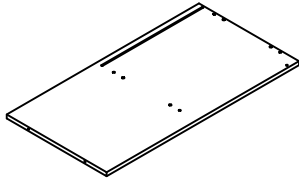
Please don't tighten the screws completely and go back later for a final tightening of all the screws after pieces are aligned with each other.



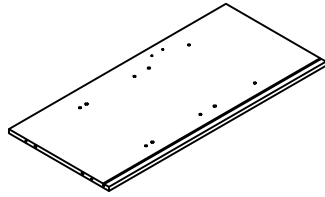
P1/8

MADE IN CHINA

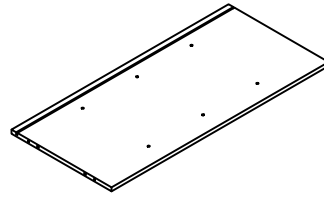
# PART LIST



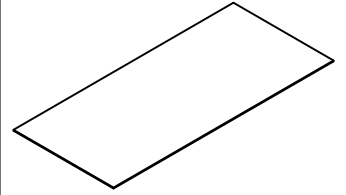
①x 1PC



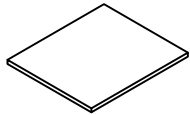
②x 1PC



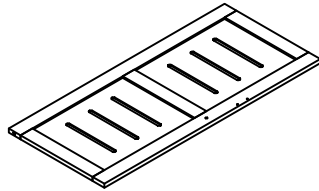
③x 1PC



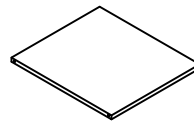
④x 1PC



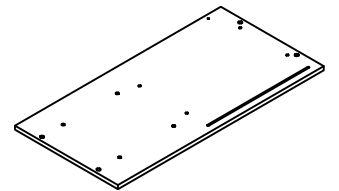
⑤x 2PCS



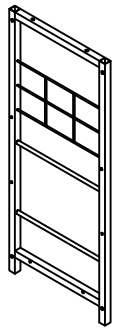
⑥x 1PC



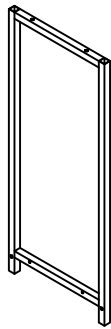
⑦x 2PCS



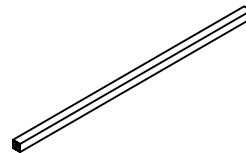
⑧x 1PC



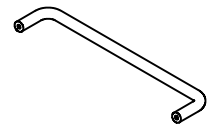
⑨x 1PC



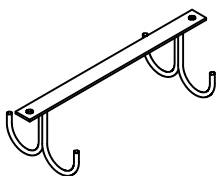
⑩x 1PC



⑪x 2PCS

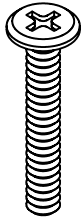


⑫x 1PC

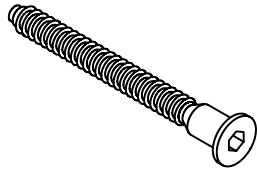


⑬x 2PCS

# HARDWARE LIST



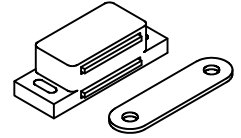
M6\*28mm  
A x 10PCS



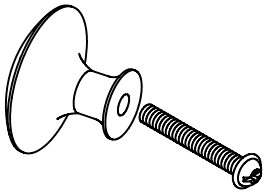
Ø5\*40mm  
B x 16PCS



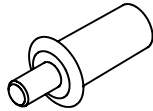
Ø3\*12mm  
C x 8PCS



D x 1PC



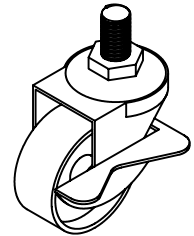
M4\*18  
E x 1PC



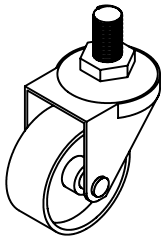
F x 2PCS



Ø6\*30  
G x 8PCS

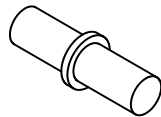


H x 2PCS



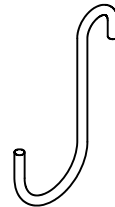
I x 2PCS

Left

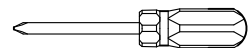


J x 8PCS

Right



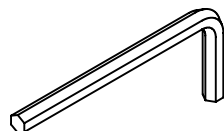
K x 3PCS



x 1PC



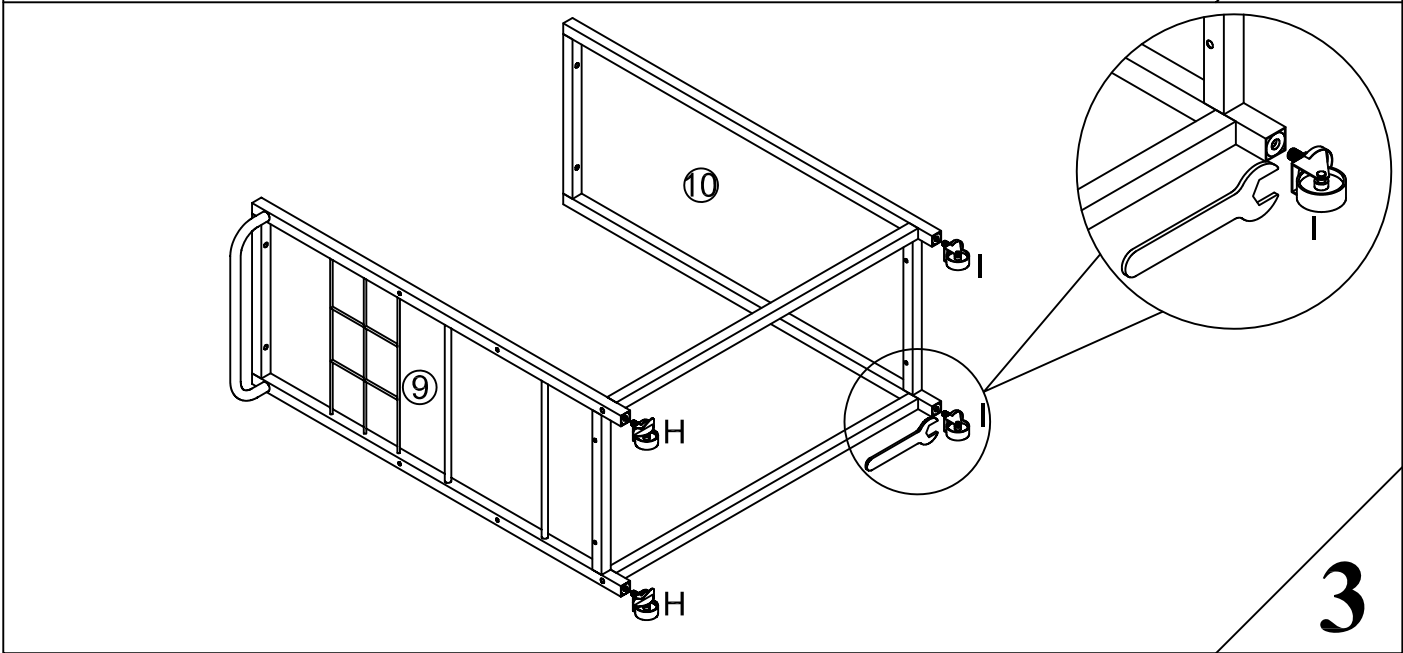
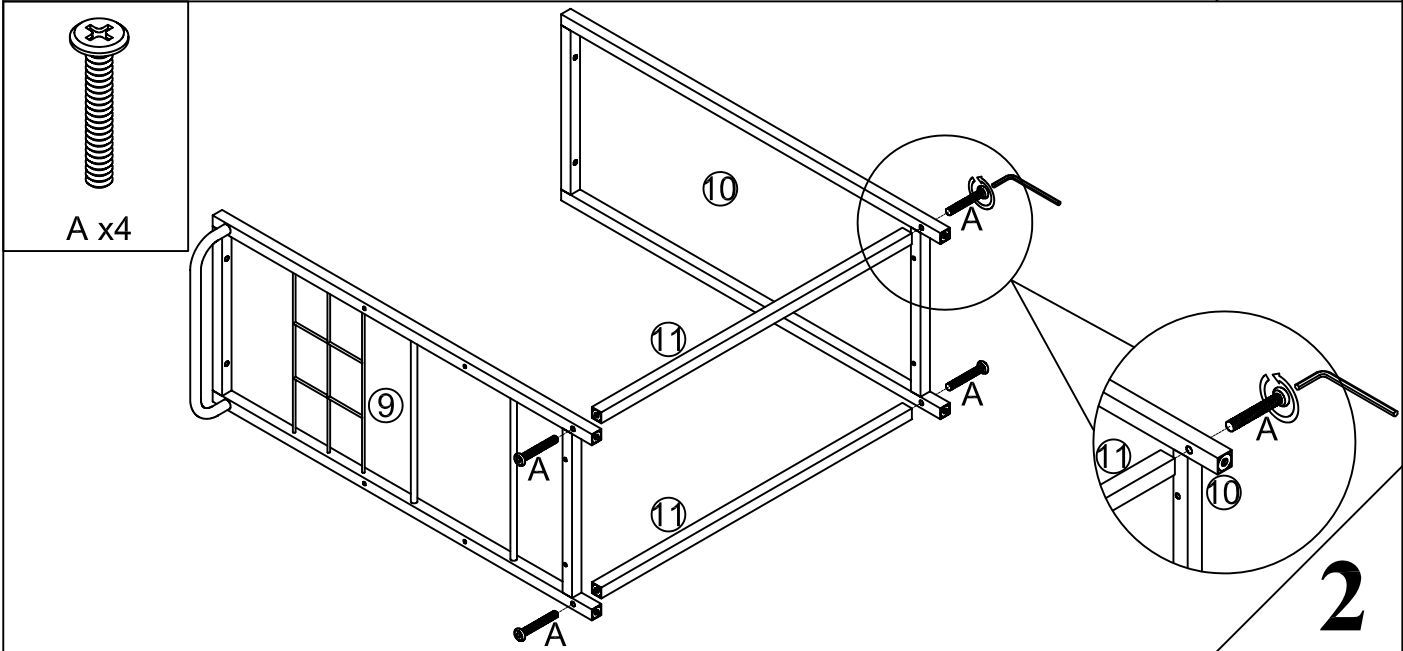
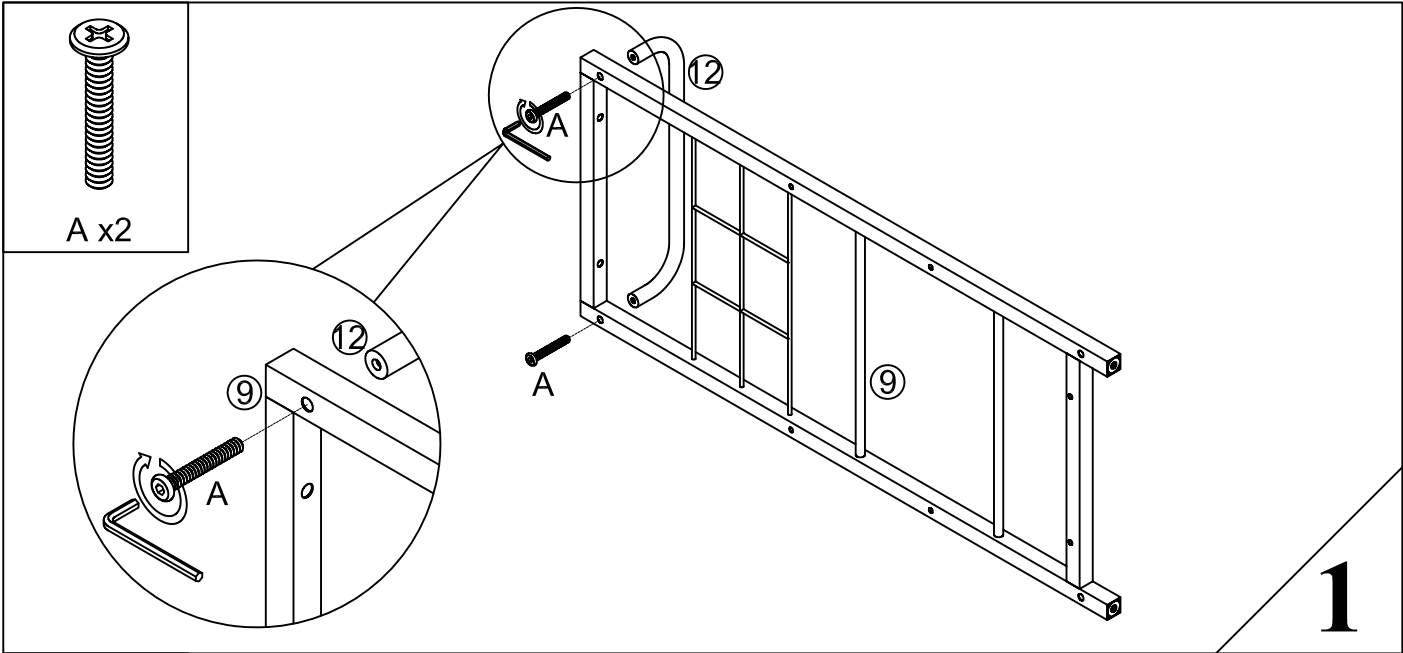
M3  
x 1PC

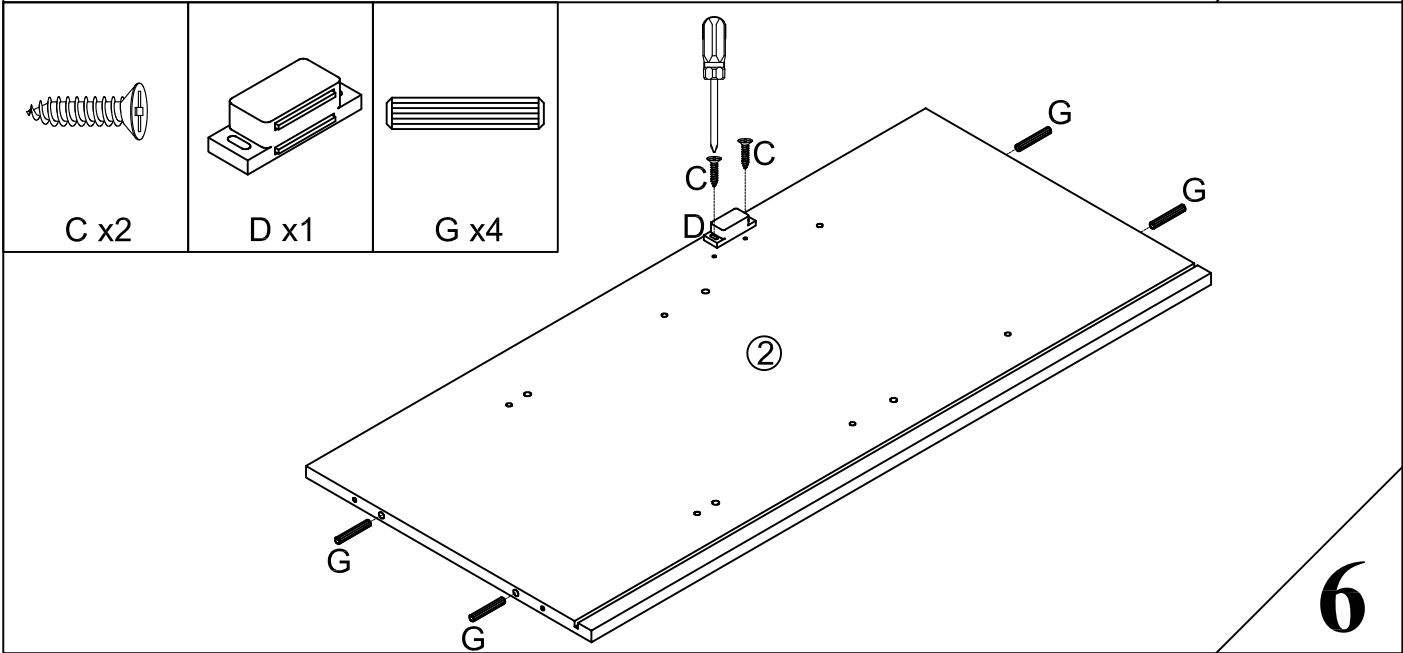
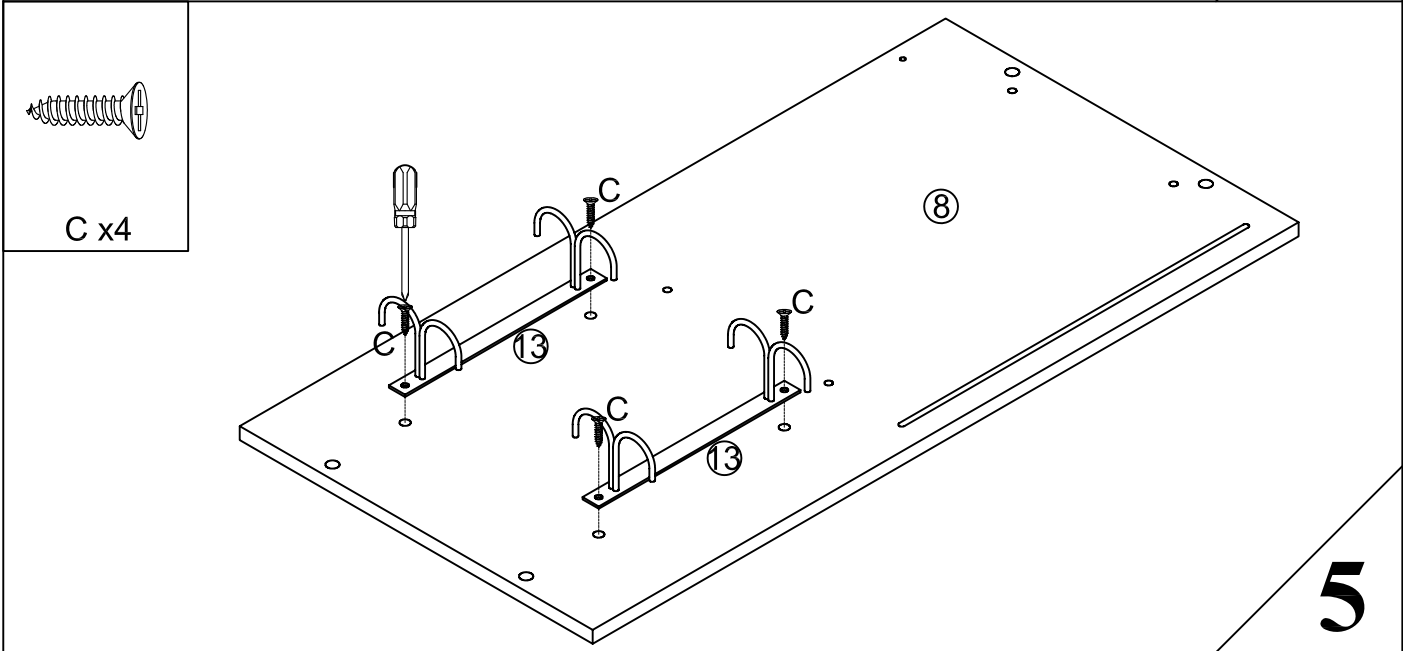
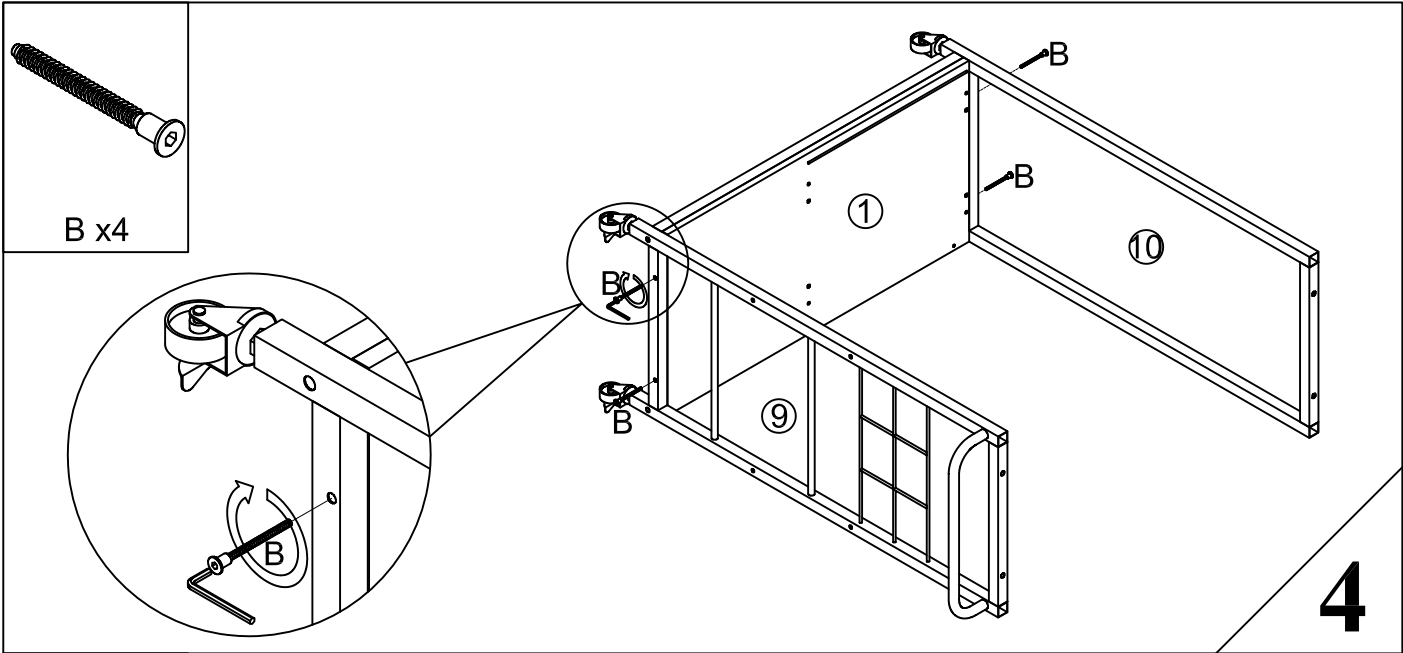


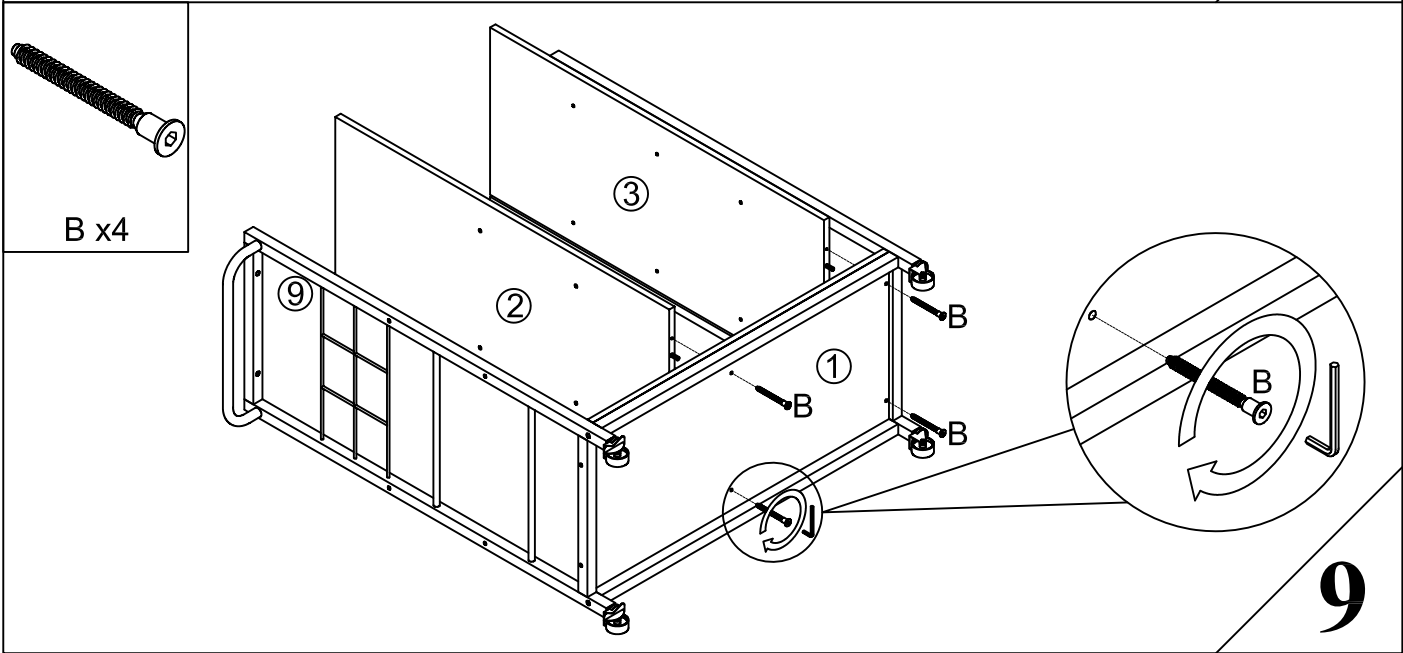
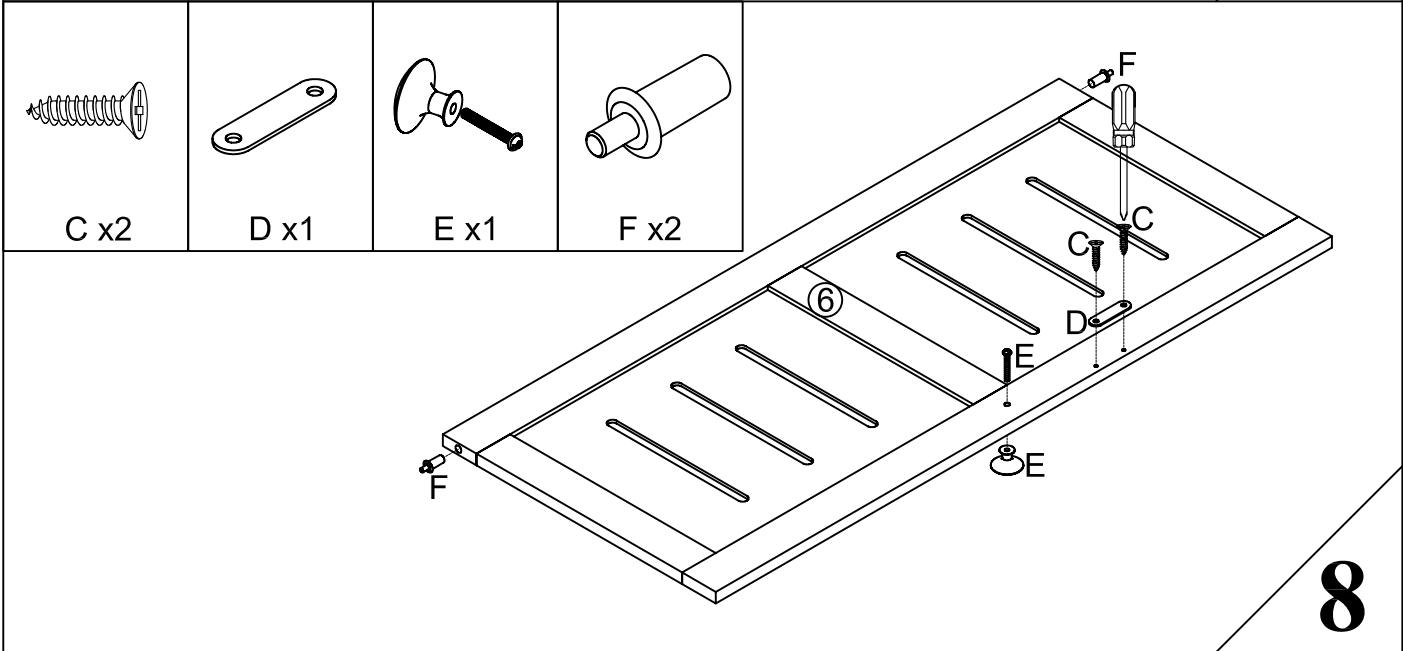
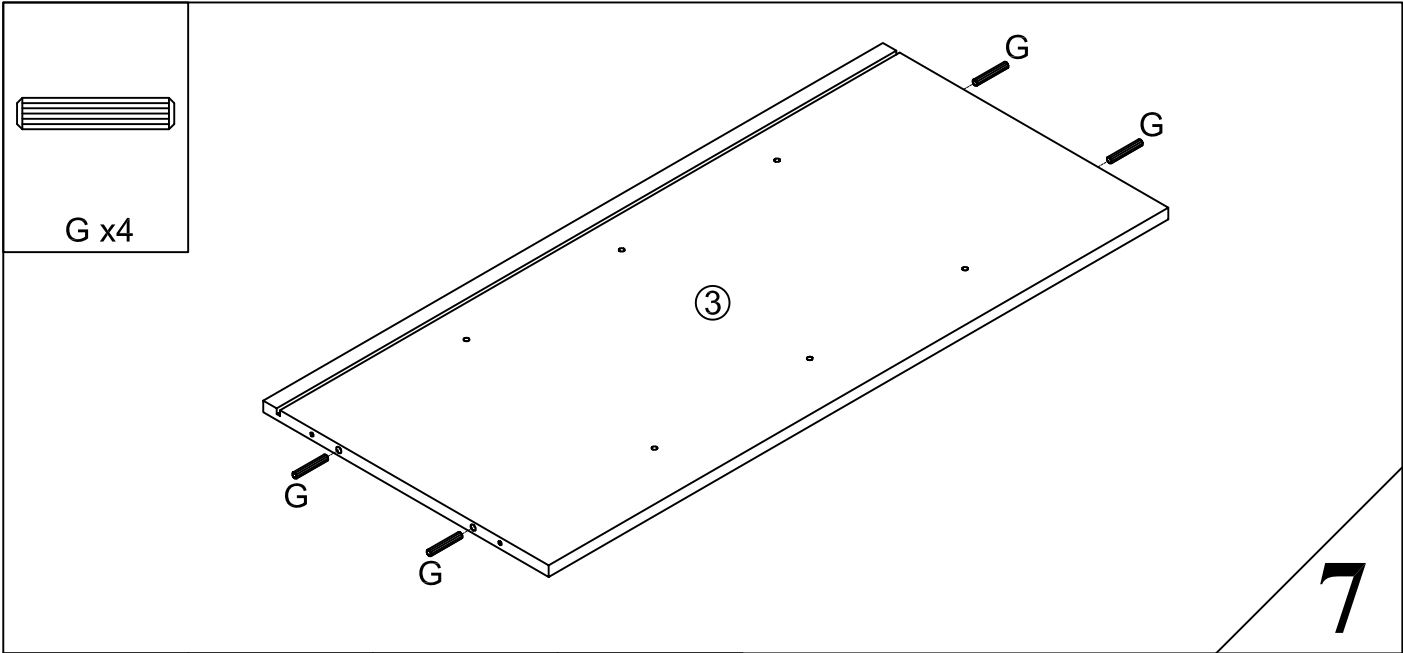
M4  
x 1PC

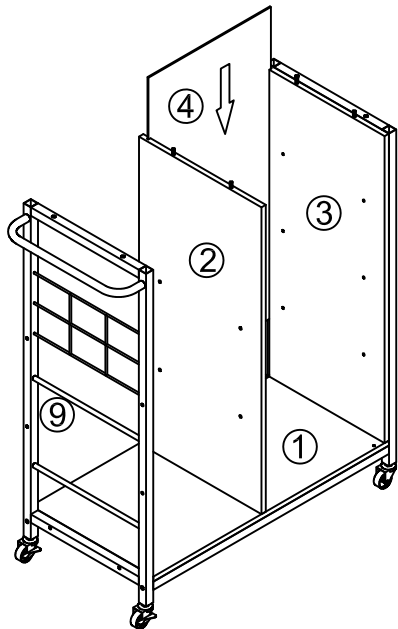


x 1PC

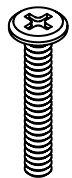




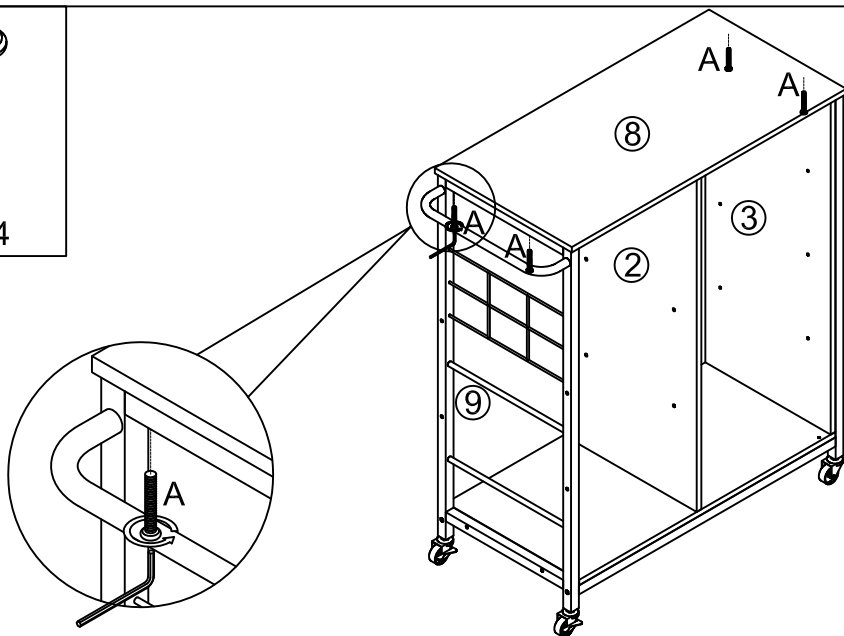




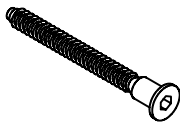
10



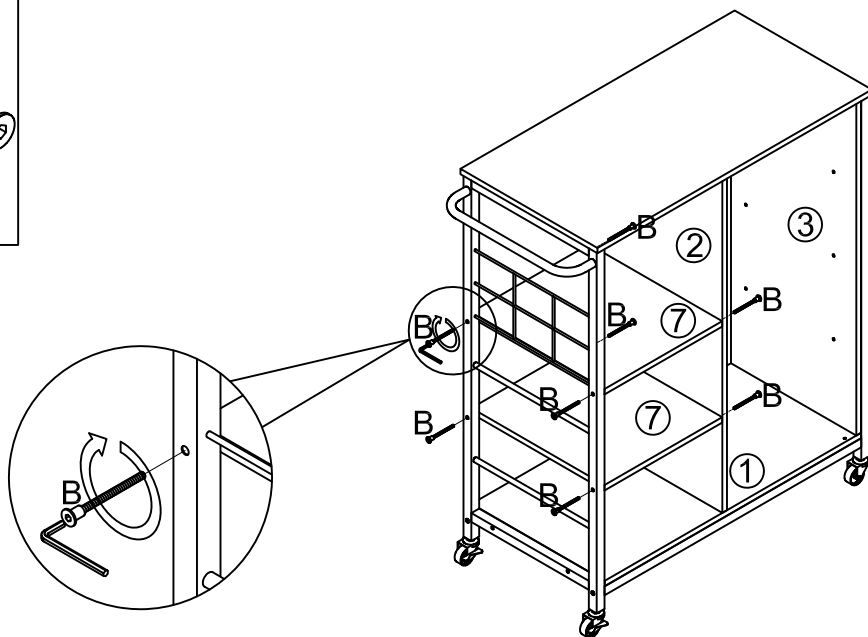
A x4



11

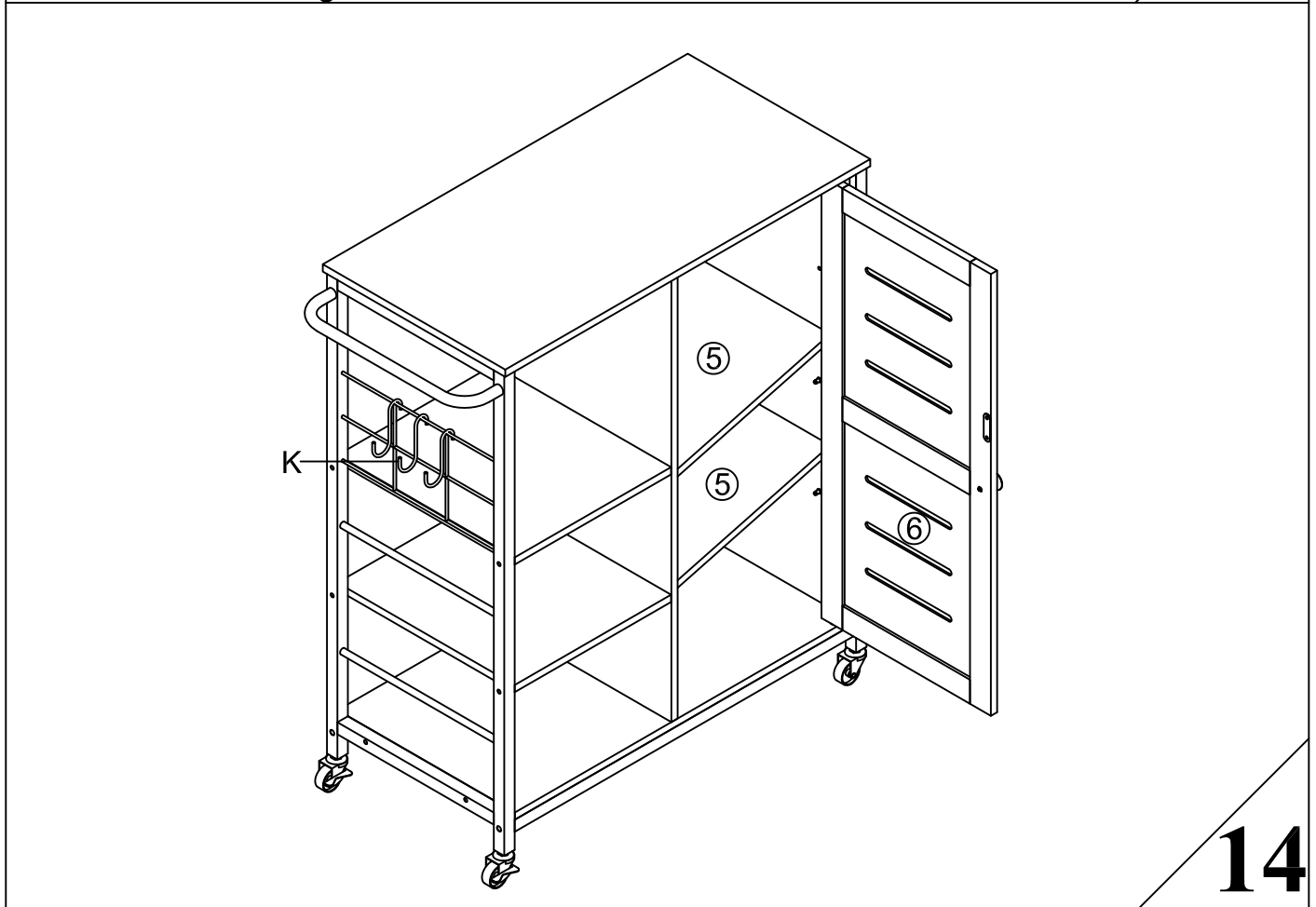
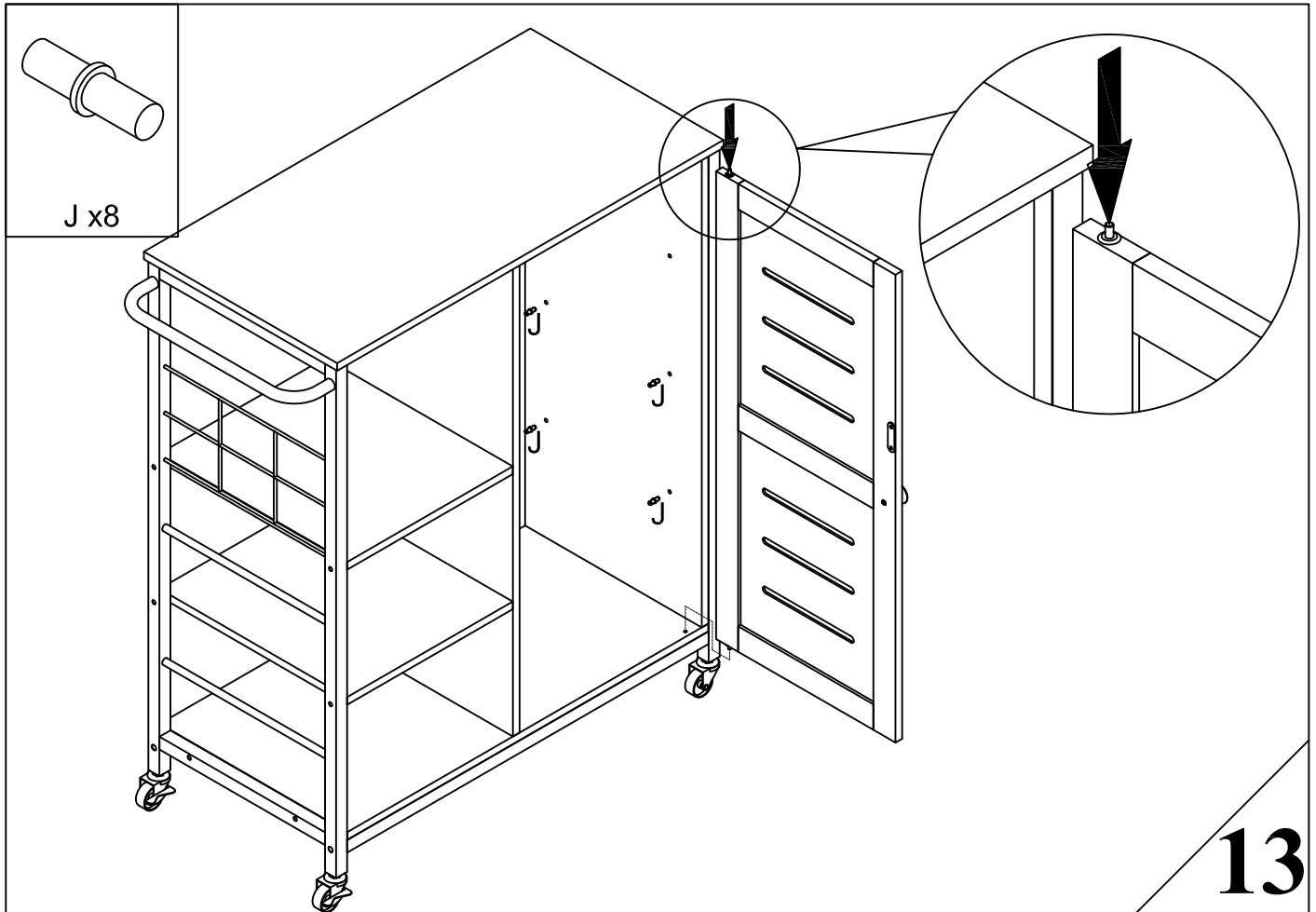


B x8



12

P7/8



P8/8