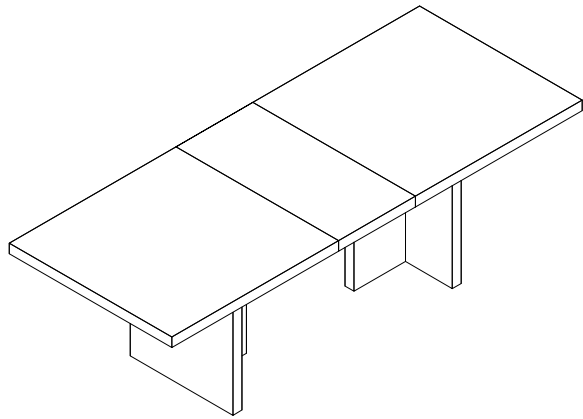
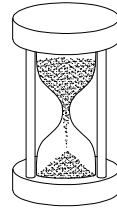


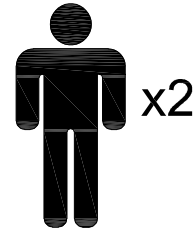
# 6798NAT-01 / 6798OAK-01 DONTE EXTENSION DINING TABLE ASSEMBLY INSTRUCTIONS



## ASSEMBLY INSTRUCTIONS



**15 MIN**

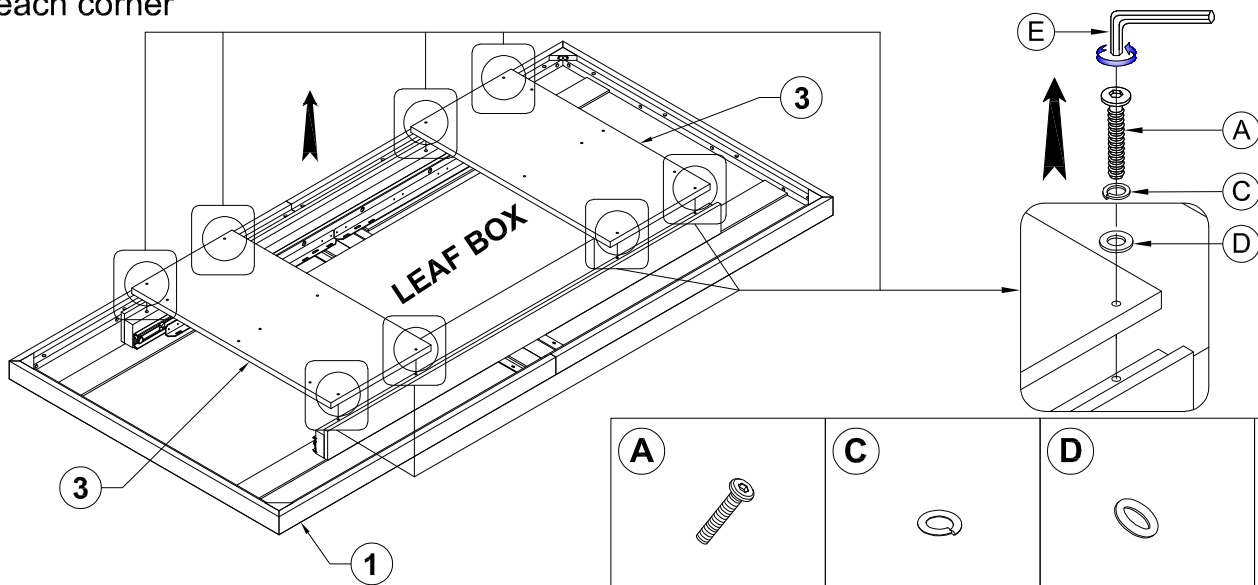


**TOOLS REQUIRED**  
( Allen Key provided )

CARTON	ITEM	PART	HARDWARE
<b>1</b>	<b>6798NAT-01/ 6798OAK-01</b>	<b>①</b> TABLE TOP x 1 PC	<b>(A)</b> M6 x 35 mm: <b>18 pcs</b> <b>(B)</b> M6 x 20 mm: <b>6 pcs</b> <b>(C)</b> Ø6 x Ø10 x 1.2: <b>24 pcs</b> <b>(D)</b> Ø6 x Ø19 x 2: <b>24 pcs</b> <b>(E)</b> 4mm x 60: <b>1 pc</b>
		<b>②</b> EXTENSION LEAF x 1PC	
		<b>③</b> MOUNTING PLATES x 2PCS	
		<b>④</b> BIG LEG x 2PCS	
		<b>⑤</b> SMALL LEG x 2PCS	
		<b>⑥</b> T CONNECTOR PLATE x 2PCS	

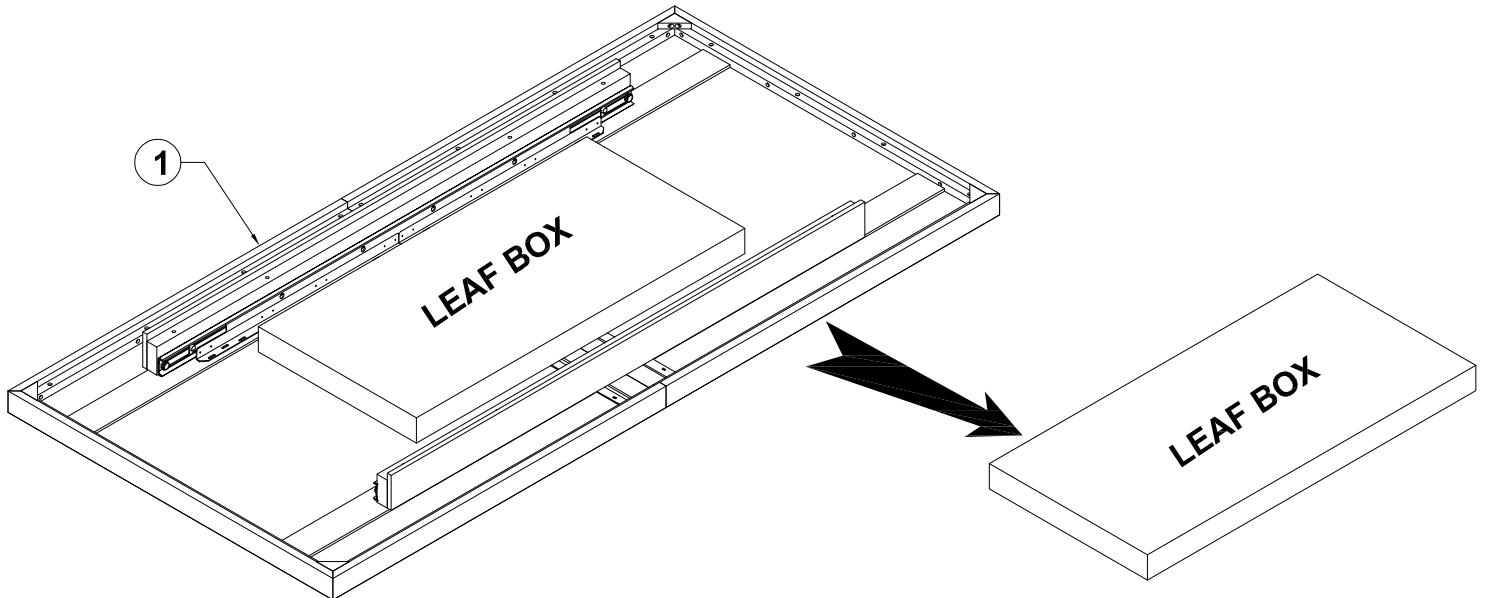
### STEP 1

Remove the mounting plates from the table top. You need to unscrew the listed hardware from each corner



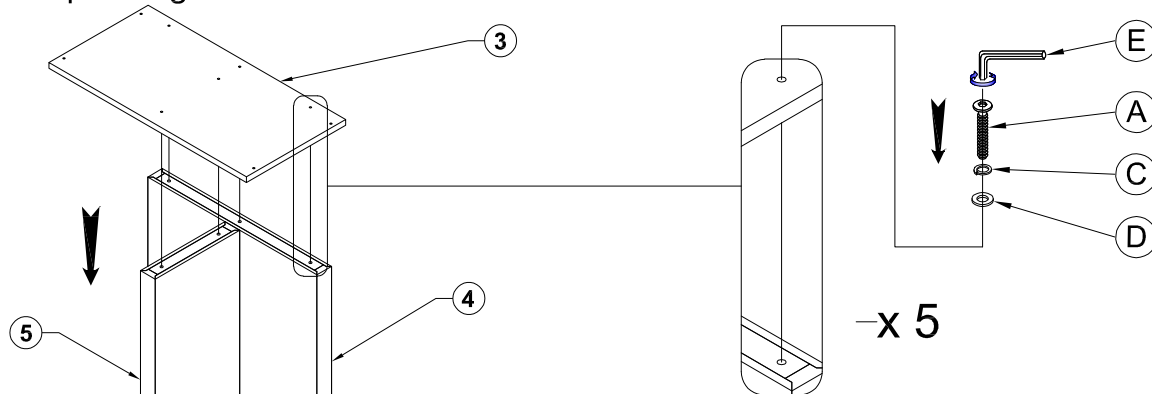
### STEP 2

Remove the leaf box from the table top and put it aside

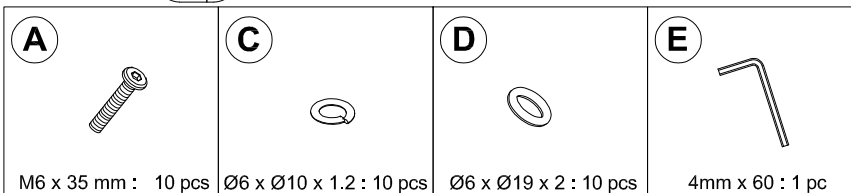


### STEP 3

Prepare part 4 and 5 (Big and Small Leg) and connect a mounting plate on top of the legs with corresponding hardware. You will need to use 5 set of hardware to connect these 3 pieces

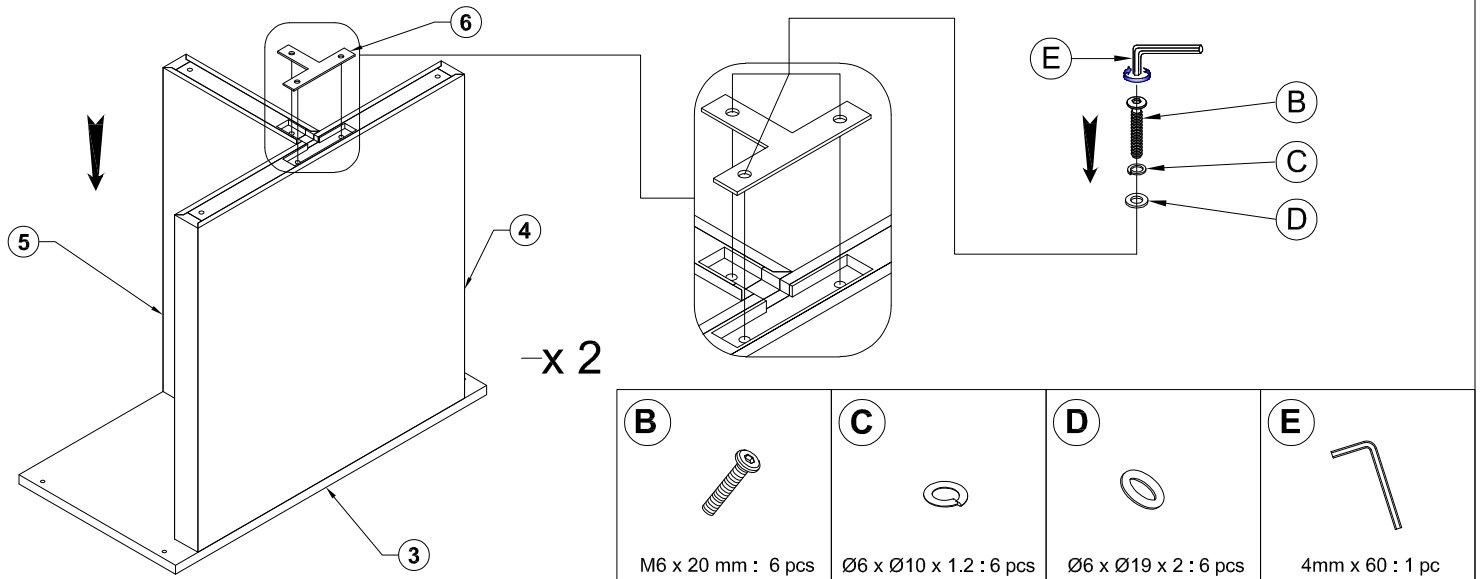


Repeat this step to assemble the other set of legs and mounting plate



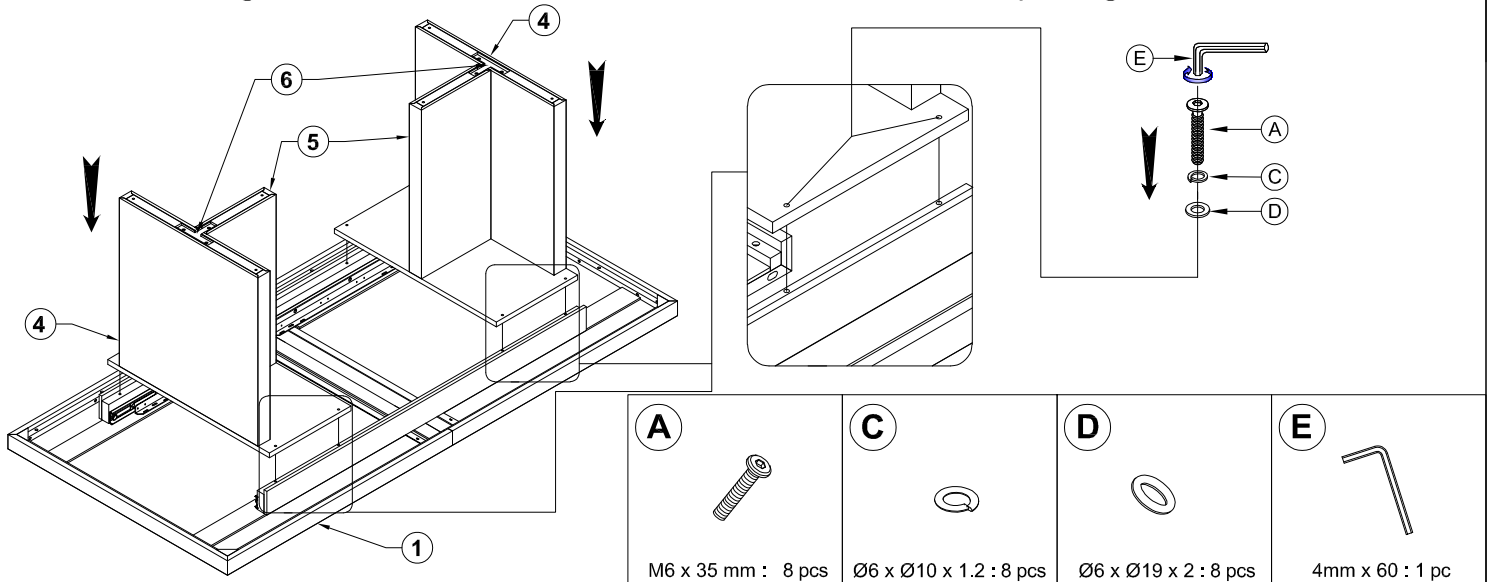
### STEP 4

Assemble one of the T connector plates to the first set of legs already assembled and connect with corresponding hardware. Repeat this step with the second legs set



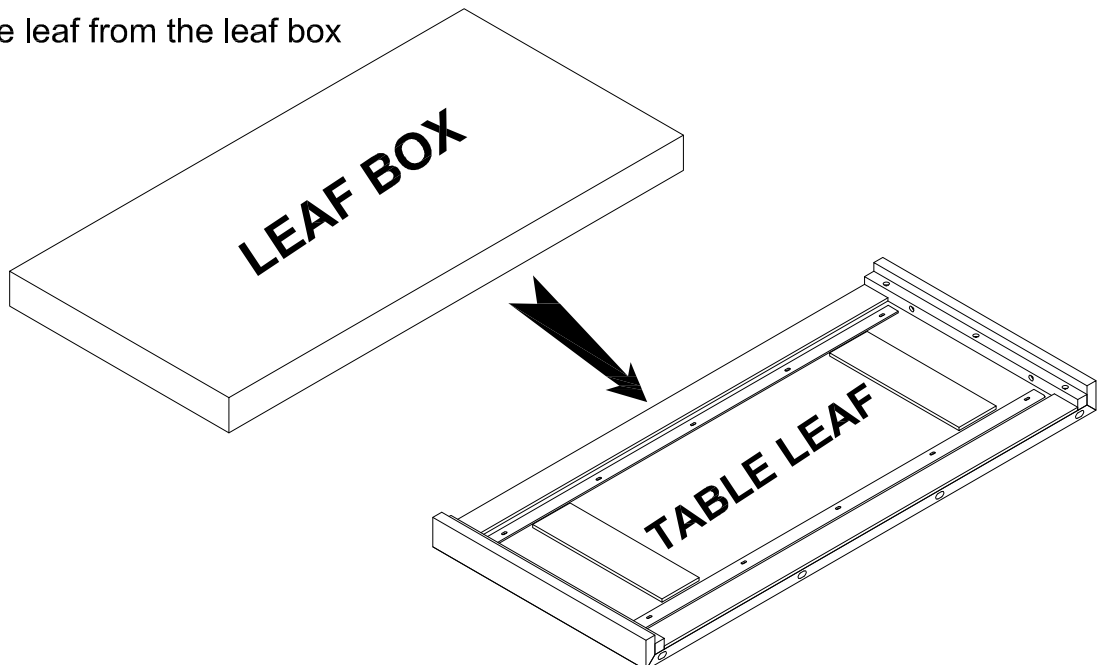
### STEP 5

Now prepare both pre-assembled set of legs and connect both to the table top (Left and Right). Secure each leg with 4 sets of hardware and connect all 4 corners per leg set



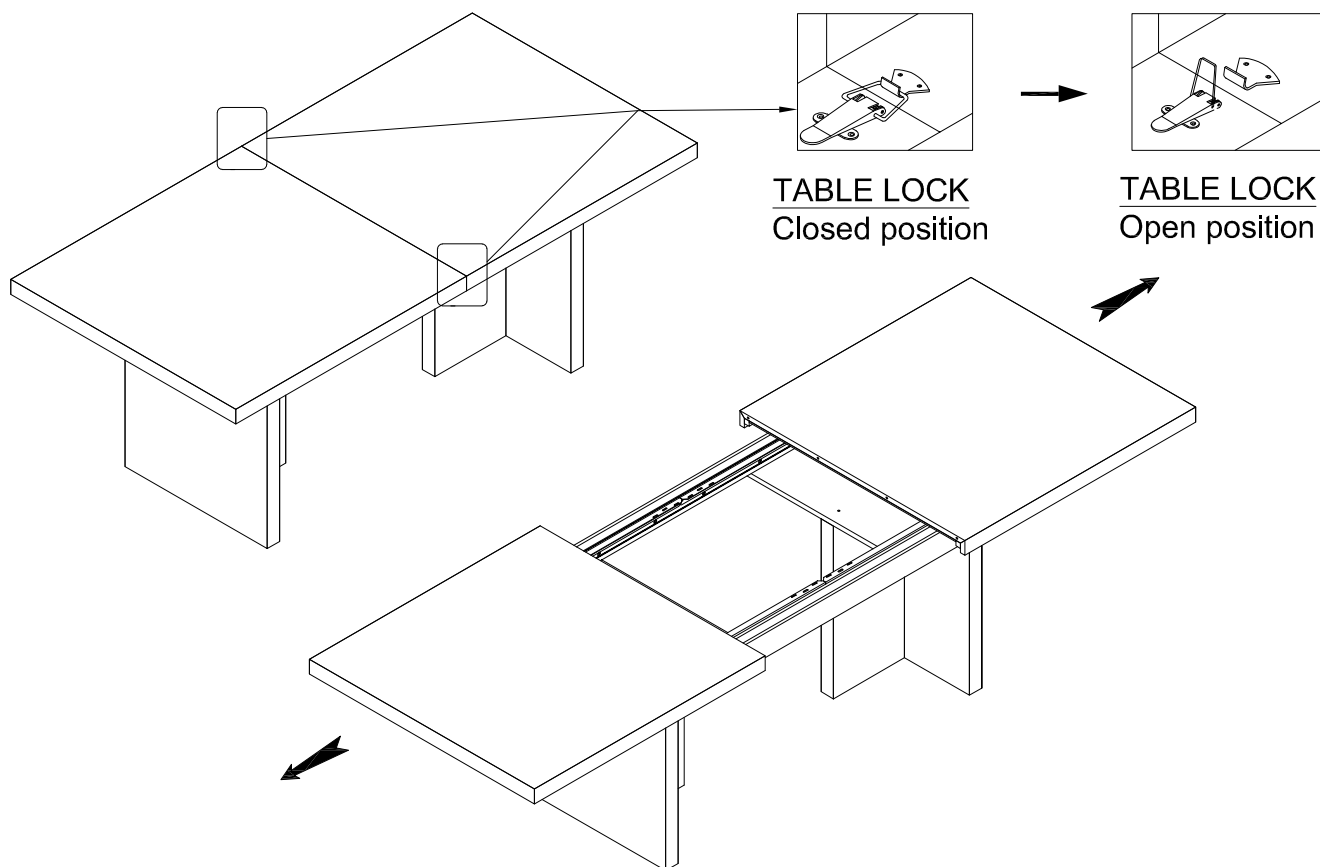
### STEP 6

Take out the table leaf from the leaf box



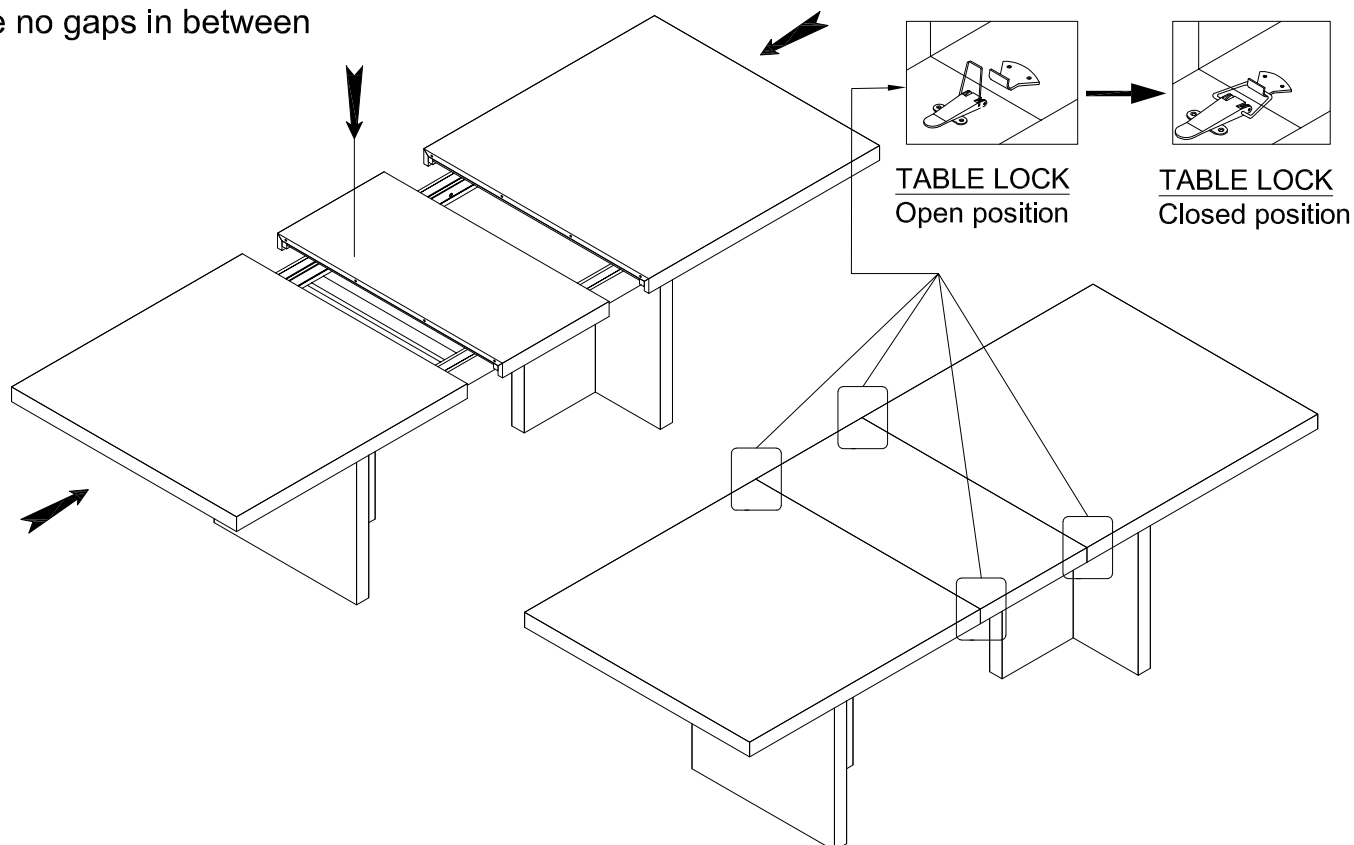
### STEP 7

Locate the **TABLE LOCKS** underneath the table top and move it to the "open position" as show in example image. Then you need to open the table top from the center to make space for the extension leaf (part 2)



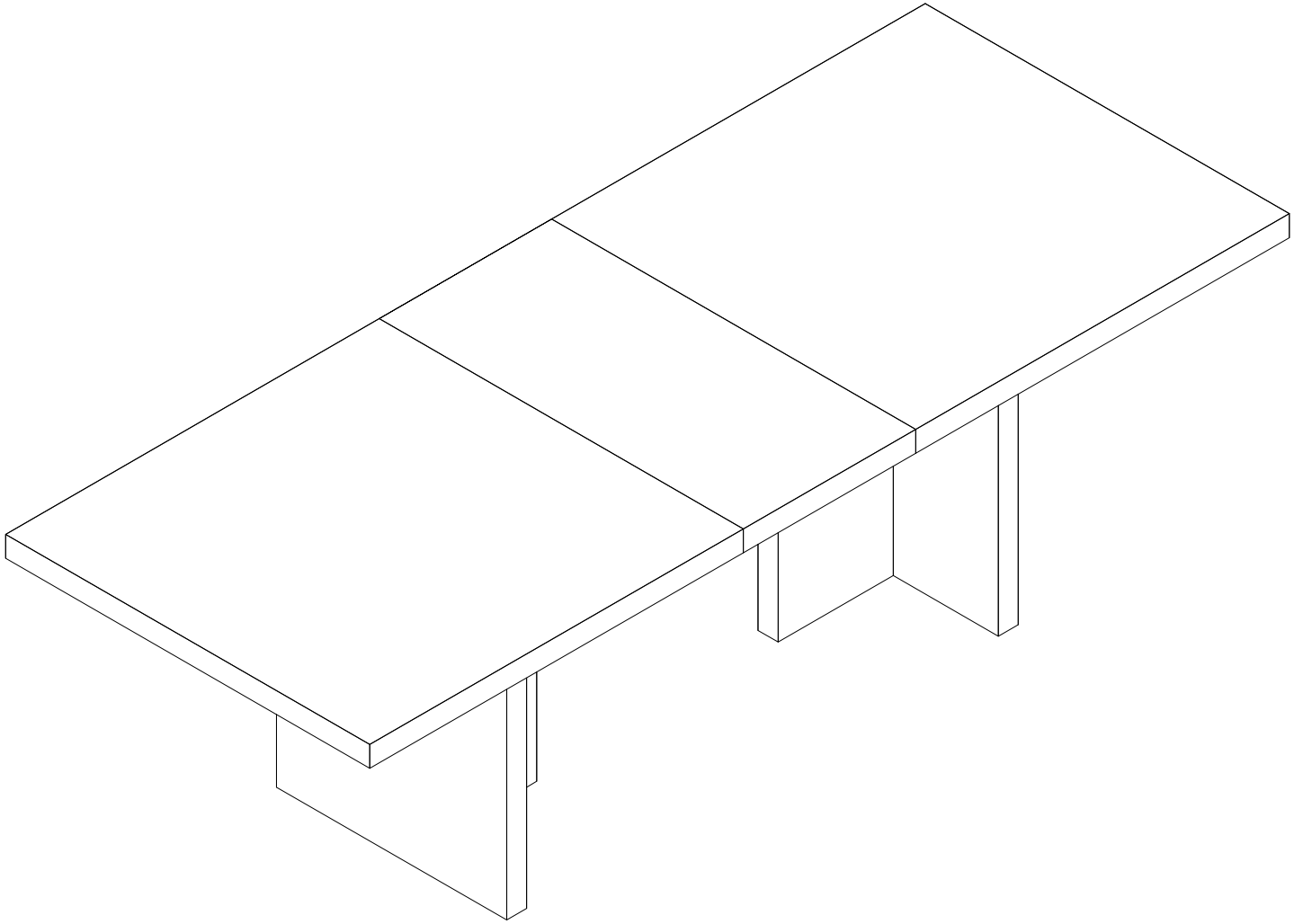
### STEP 8

Place the extension leaf (part 2) at the center the table and align with the rest of the table. Move both parts of the table (left and right) close to the extension leaf and make sure there are no gaps in between



Move **TABLE LOCKS** to the Closed Position (see image), to secure all parts of the table top

# ASSEMBLY COMPLETED



**CAUTION ! : REQUIRES TWO ADULTS TO FLIP AND TURN  
TABLE UPRIGHT AFTER ASSEMBLY IS FINISHED.**